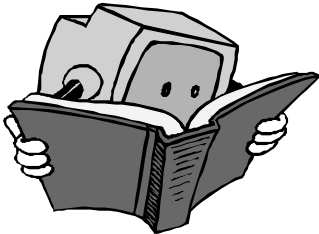


HITACHI

No. 0095E

AX-M5
[UC, E, E(BS), W, W(UN)]



SERVICE MANUAL MANUEL D'ENTRETIEN WARTUNGSHANDBUCH

CAUTION:

Before servicing this chassis, it is important that the service technician read the "Safety Precautions" and "Product Safety Notices" in this service manual.

ATTENTION:

Avant d'effectuer l'entretien du châassis, le technicien doit lire les «Précautions de sécurité» et les «Notices de sécurité du produit» présentés dans le présent manuel.

VORSICHT:

Vor Öffnen des Gehäuses hat der Service-Ingenieur die „Sicherheitshinweise“ und „Hinweise zur Produktsicherheit“ in diesem Wartungshandbuch zu lesen.

Data contained within this Service manual is subject to alteration for improvement.

Les données fournies dans le présent manuel d'entretien peuvent faire l'objet de modifications en vue de perfectionner le produit.

Die in diesem Wartungshandbuch enthaltenen Spezifikationen können sich zwecks Verbesserungen ändern.




November 1999

SAFETY PRECAUTIONS

WARNING: The following precautions must be observed.

ALL PRODUCTS

1. Before any service is performed on the chassis an isolation transformer should be inserted between the power line and the product.
2. When replacing the chassis in the cabinet, ensure all the protective devices are put back in place.
3. When service is required, observe the original lead dressing. Extra precaution should be taken to ensure correct lead dressing in any high voltage circuitry area.
4. Many electrical and mechanical parts in HITACHI products have special safety related characteristics. These characteristics are often not evident from visual inspection, nor can the protection afforded by them necessarily be obtained by using replacement components rated for higher voltage, wattage, etc. Replacement parts which have these special safety characteristics are identified by marking with a  on the schematics and the replacement parts list.

The use of a substitute replacement component that does not have the same safety characteristics as the HITACHI recommended replacement one, shown in the parts list, may create electrical shock, fire, X-radiation, or other hazards.

5. Always replace original spacers and maintain lead lengths. Furthermore, where a short circuit has occurred, replace those components that indicate evidence of overheating.
6. Insulation resistance should not be less than 2M ohms at 500V DC between the main poles and any accessible metal parts.
7. No flashover or breakdown should occur during the dielectric strength test, applying 3kV AC or 4.25kV DC for two seconds between the main poles and accessible metal parts.
8. Before returning a serviced product to the customer, the service technician must thoroughly test the unit to be certain that it is completely safe to operate without danger of electrical shock. The service technician must make sure that no protective device built into the instrument by the manufacturer has become defective, or inadvertently damaged during servicing.

CE MARK

1. HITACHI products may contain the CE mark on the rating plate indicating that the product contains parts that have been specifically approved to provide electromagnetic compatibility to designated levels.
2. When replacing any part in this product, please use only the correct part itemised in the parts list to ensure this standard is maintained, and take care to replace lead dressing to its original state, as this can have a bearing on the electromagnetic radiation/immunity.

PICTURE TUBE

1. The line output stage can develop voltages in excess of 25kV; if the E.H.T. cap is required to be removed, discharge the anode to chassis via a high value resistor, prior to its removal from the picture tube.
2. High voltage should always be kept at the rated value of the chassis and no higher. Operating at higher voltages may cause a failure of the picture tube or high voltage supply, and also, under certain circumstances could produce X-radiation levels moderately in excess of design levels. The high voltage must not, under any circumstances, exceed 29kV on the chassis (except for projection Televisions).
3. The primary source of X-radiation in the product is the picture tube. The picture tube utilised for the above mentioned function in this chassis is specially constructed to limit X-radiation. For continued X-radiation protection, replace tube with the same type as the original HITACHI approved type
4. Keep the picture tube away from the body while handling. Do not install, remove, or handle the picture tube in any manner unless shatterproof goggles are worn. People not so equipped should be kept away while picture tubes are handled

LASERS

If the product contains a laser avoid direct exposure to the beam when the cover is open or when interlocks are defeated or have failed.

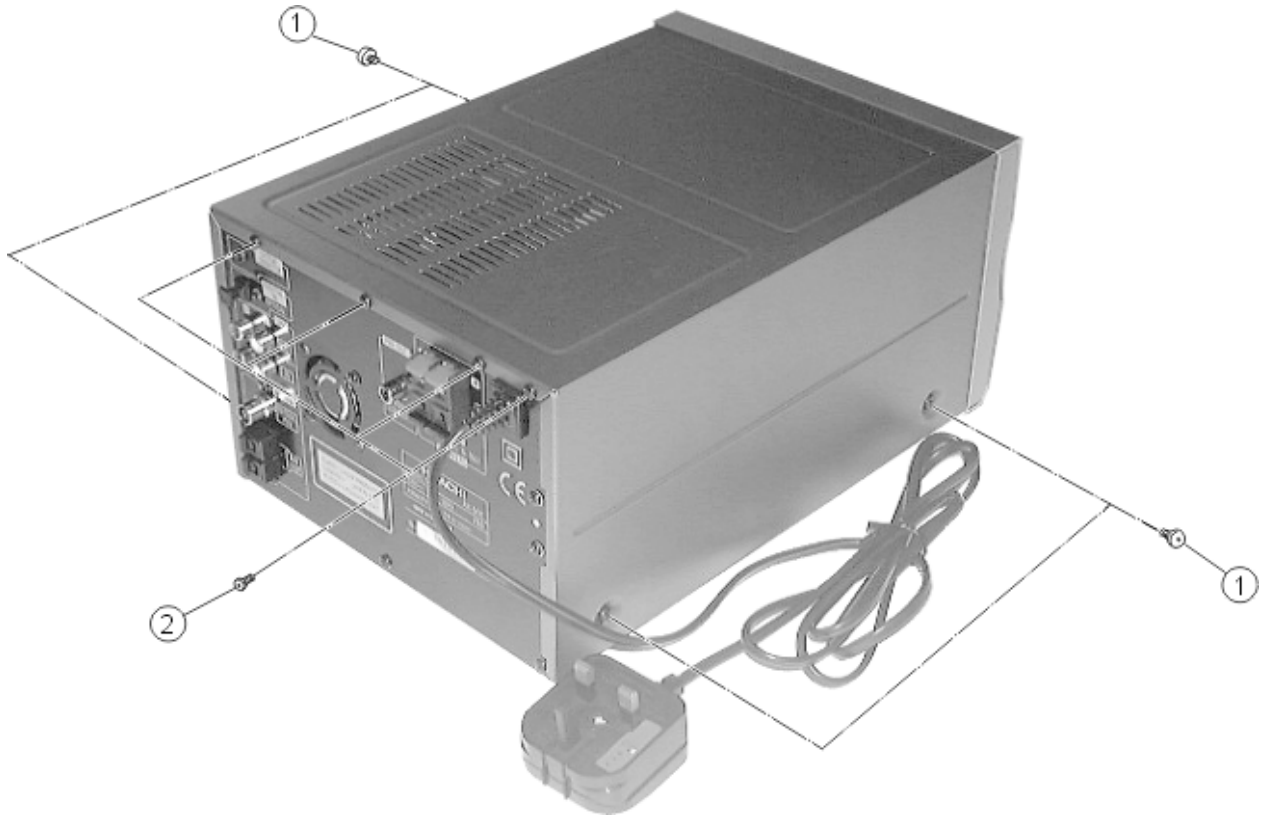
Specifications

RECEIVER SECTION	Circuit system:	FM/AM 2 bands [for E, E(BS), W, W(UN)]	
	Tuning range:	[for E, E(BS), W] FM: 87.5 - 108.0 MHz (50 kHz step) AM: 522 - 1,611 kHz (9 kHz step) [for W(UN)] FM: 76.0 - 108.0 MHz (50 kHz step) AM: 522 - 1,629 kHz (9 kHz step) [for W, W(UN)] AM: 520 - 1,710 MHz (10 kHz step)	
TAPE SECTION	Track system:	4 tracks, 2 channels, Stereo Auto Reverse Cassette Deck	
	Tape:	Normal/CrO2	
	Tape speed:	4.75 cm/s	
	Frequency response:	Normal:	40 - 15,000 Hz
	CrO2:	40 - 16,000 Hz	
TIMER SECTION	System:	Digital quartz clock	
	Display format:	24-hour cycle [for E, E(BS), W] 12-hour cycle [for W(UN)]	
	Timer accuracy:	Within 60 seconds at monthly rate	
CD PLAYER SECTION	Number of channels:	2	
	Disc:	12 cm/ 8 cm	
	Laser Diode properties:	Wavelength:	785 nm ~ 815 nm
GENERAL SPECIFICATION	Power supply:	AC 230 V, 50 Hz [for E, E(EBS)] AC 110 V - 127 V, 220 V - 240 V, 50/60 Hz [for W, W(UN)]	
	Power consumption:	74 W (Standby mode: 0.5W)	
	Dimensions:	210 (W) x 150 (H) x 327 (D) mm	
	Weight:	5.5 kg	
SPEAKER SECTION	System:	2-way Bass Reflex Speaker System	
	Speakers:	Woofer:	10cm x 1
		Tweeter:	5cm x 1
	Impedance:	6 ohms	
	Dimensions:	150 (W) x 270 (H) x 227 (D) mm	
Weight:	3.1 kg (1 speaker)		
ACCESSORIES	FM Antenna:	1	
	AM loop antenna:	1	
	Remote control (RB-AXM5):	1	
	Battery:	2	
	Edison Plug Adapter- for W(UN)		

* Specifications are subject to change without notice for performance improvement.

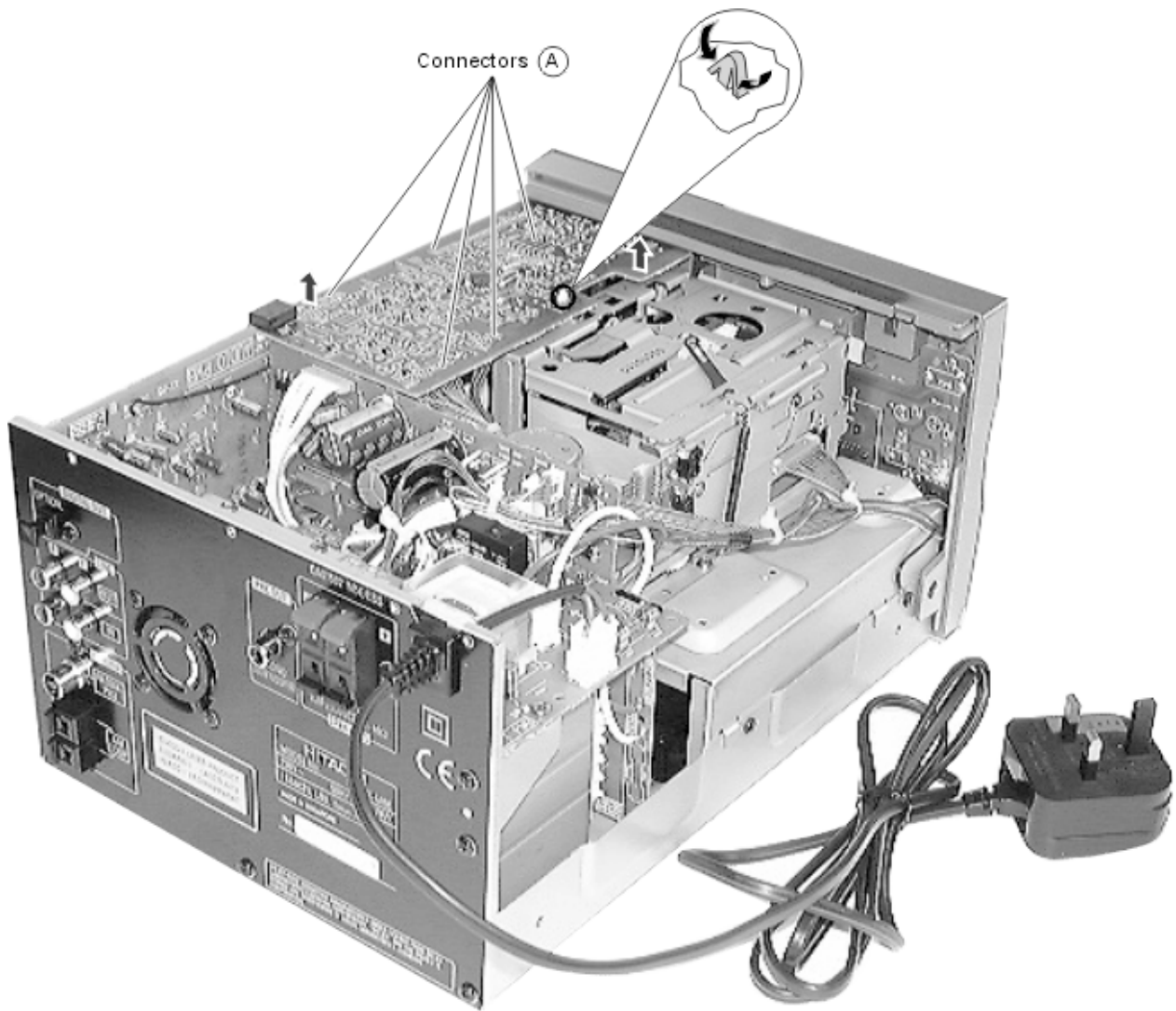
Removal of Top Cover

1. Remove 2 screws ① from each side.
2. Remove 4 screws ② from the rear plate.



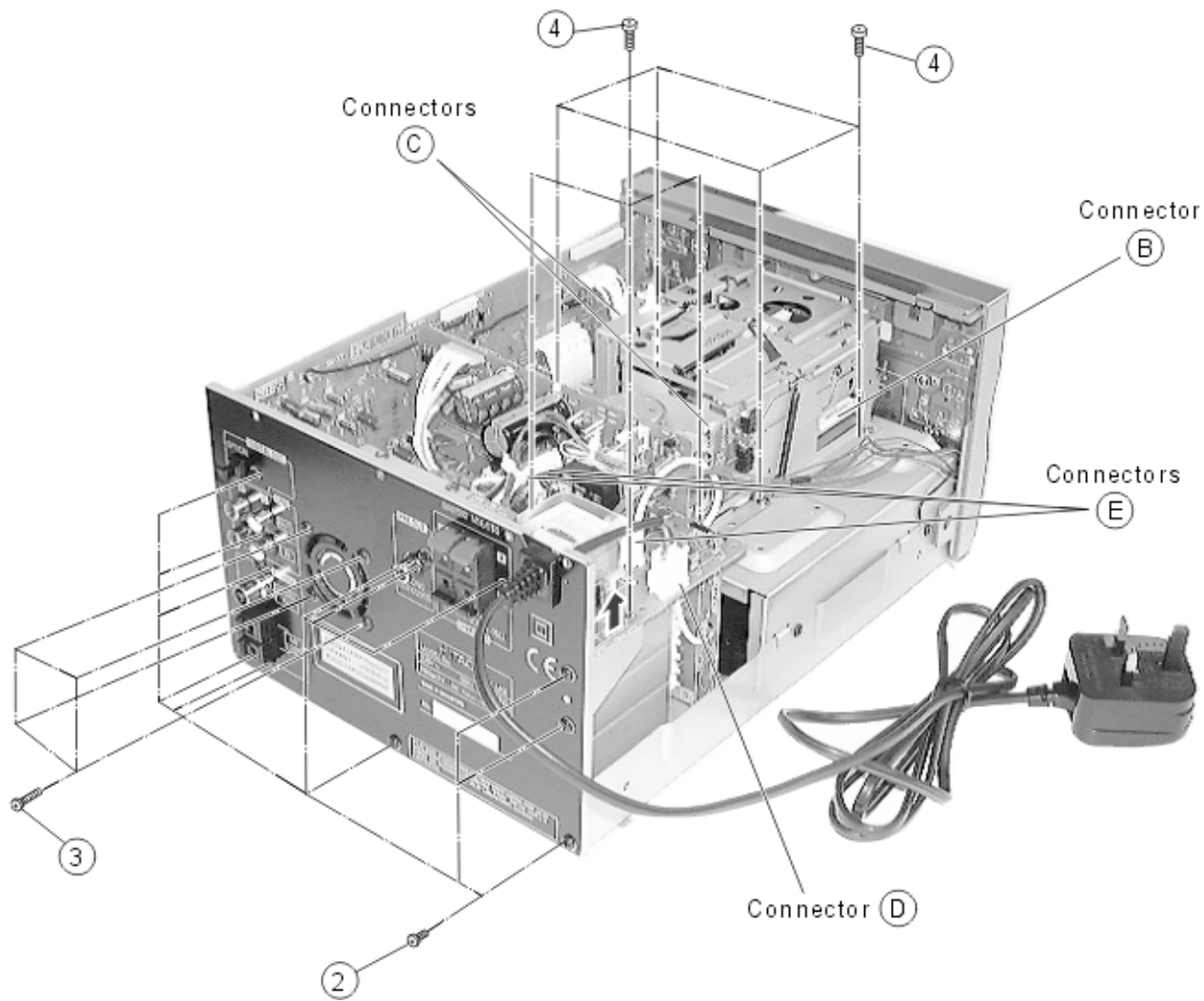
Removal of DECK P.W.B. Board

1. Press and push downwards the white connector.
2. Detach the 5 connectors ①.



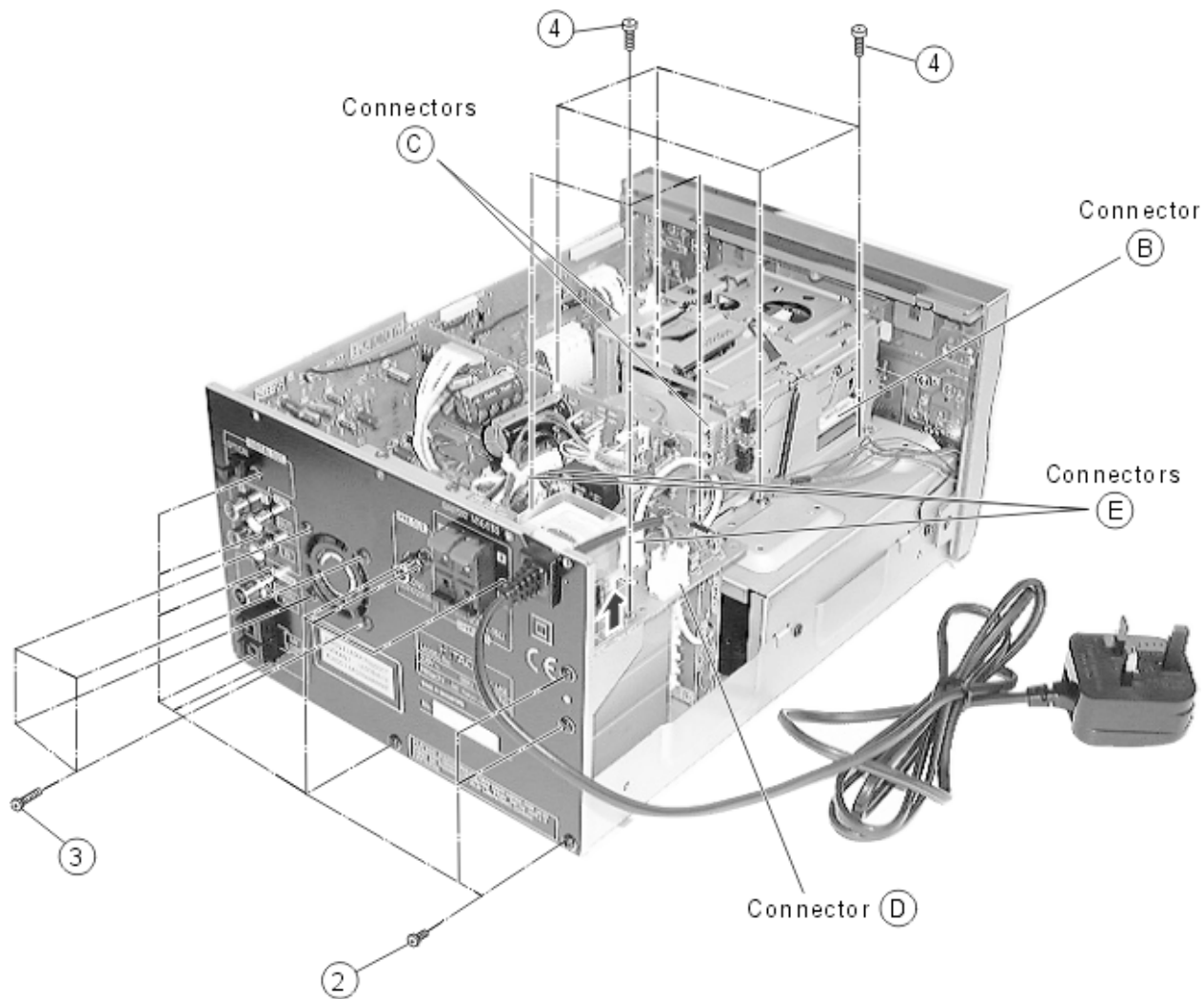
Removal of Rear Plate

1. Remove 12 screws ② and 4 screws ③ from the rear plate.



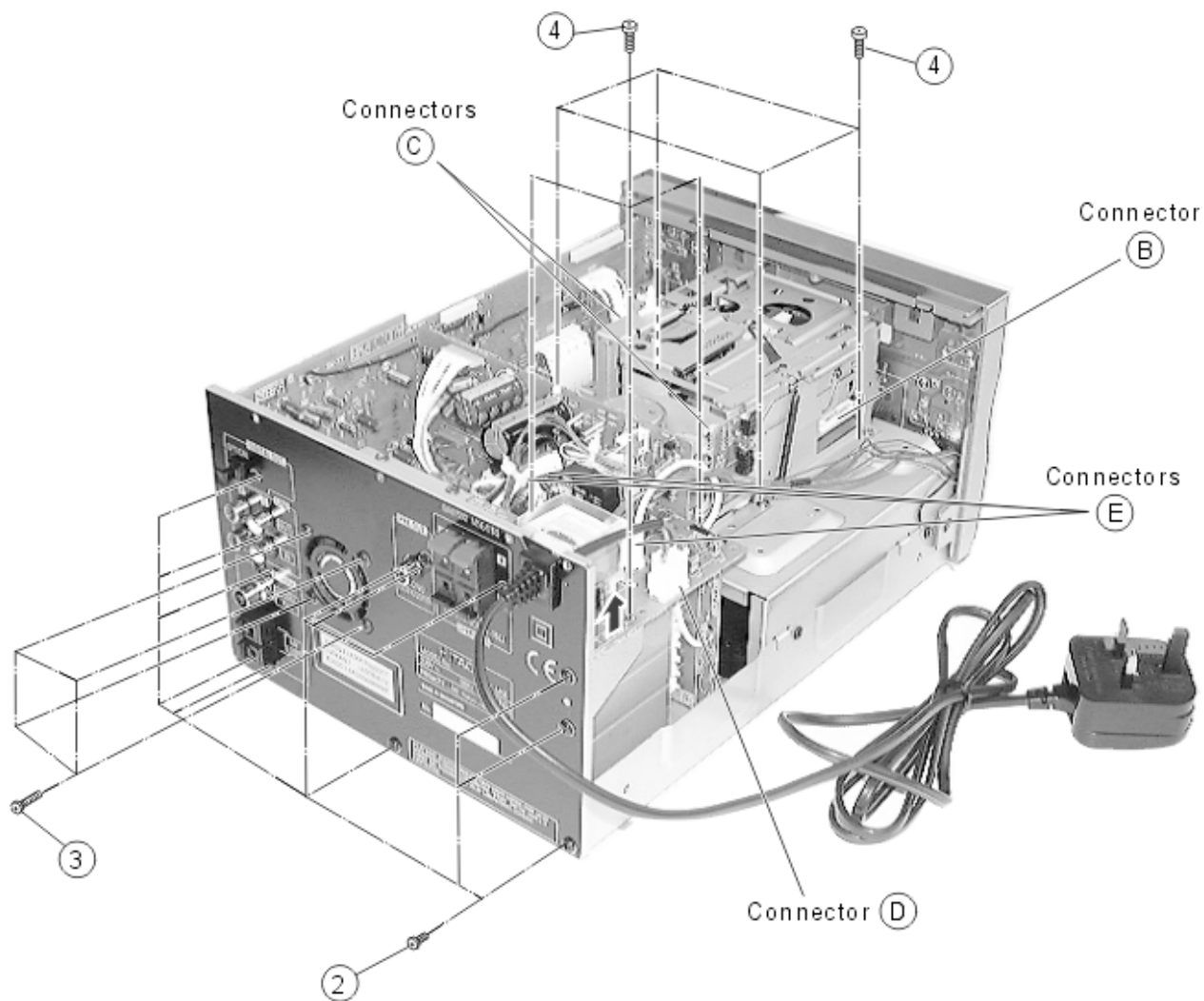
Removal of Power cord

1. Detach the power cord connector from connector ④.



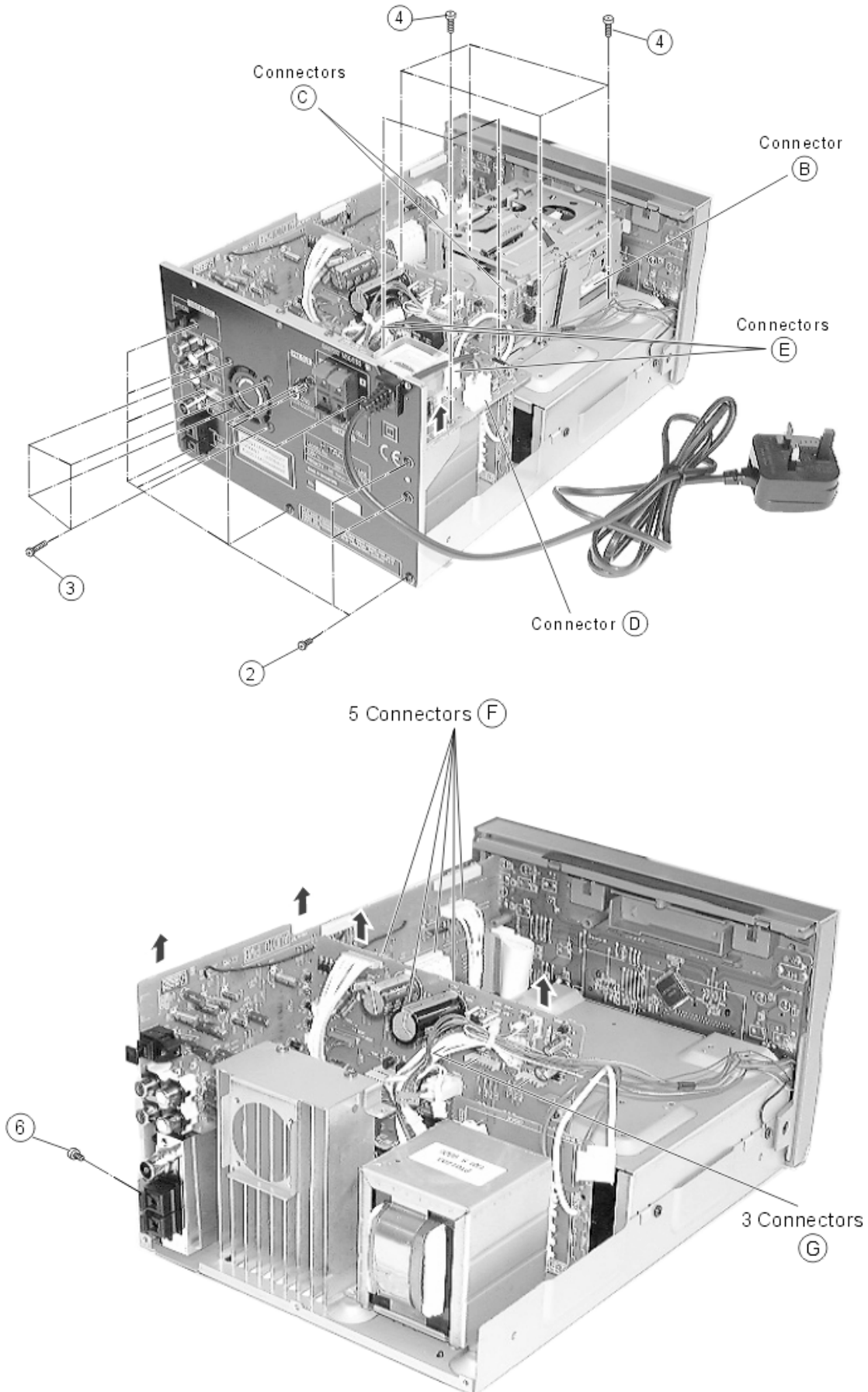
Removal of DECK Mechanism

1. Detach the DECK connector cables from 3 connectors **B** and **C**.
2. Remove 4 screws **4** and then remove the DECK mechanism.



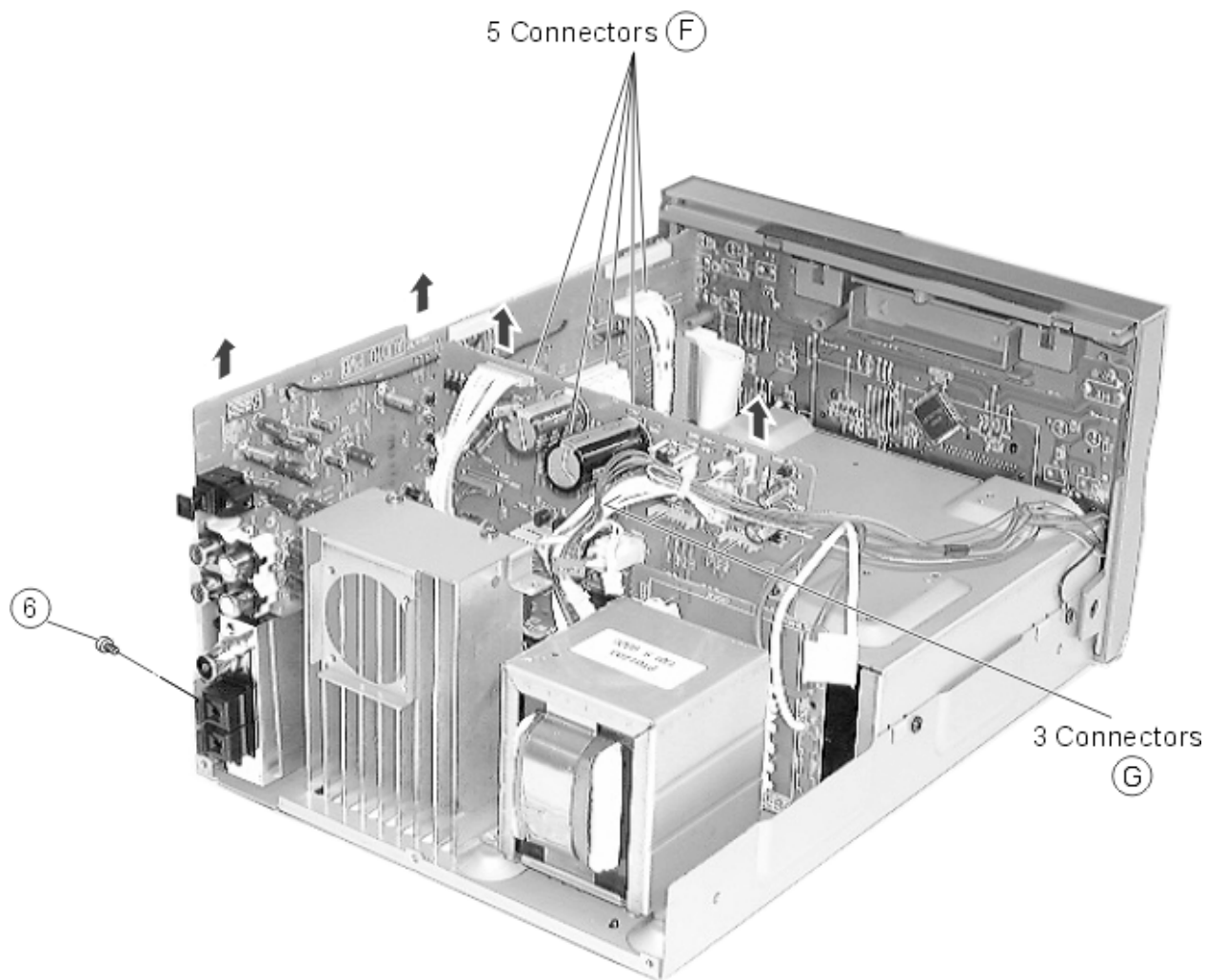
Removal of SUB T P.W.B. Board

1. Remove 3 screws ④ from the SUB T P.W.B. board.
2. Disconnect the 3 connectors ⑤ and gently pull the SUB T P.W.B. board away from the SUPPLY P.W.B. board to detach its 3 connectors ⑥.



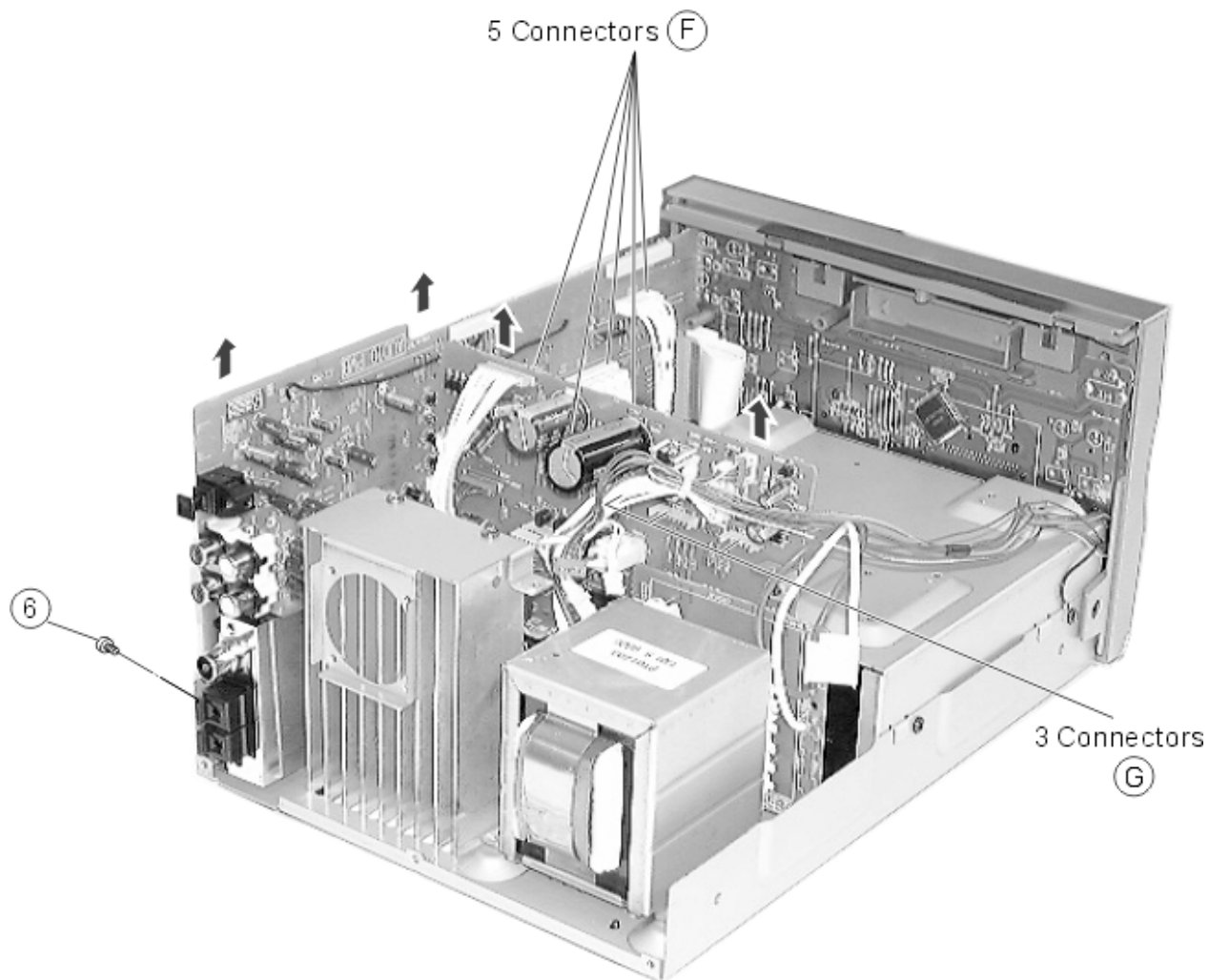
Removal of AUDIO P.W.B. Board

1. Remove 1 screw ⑥ on the side of the base plate and disconnect all the 5 connectors ⑤ from the Audio P.W.B. board. Detach each connector from the FL DISP P.W.B. and bottom of the CD mechanism
2. Gently pull the AUDIO P.W.B. board outwards.



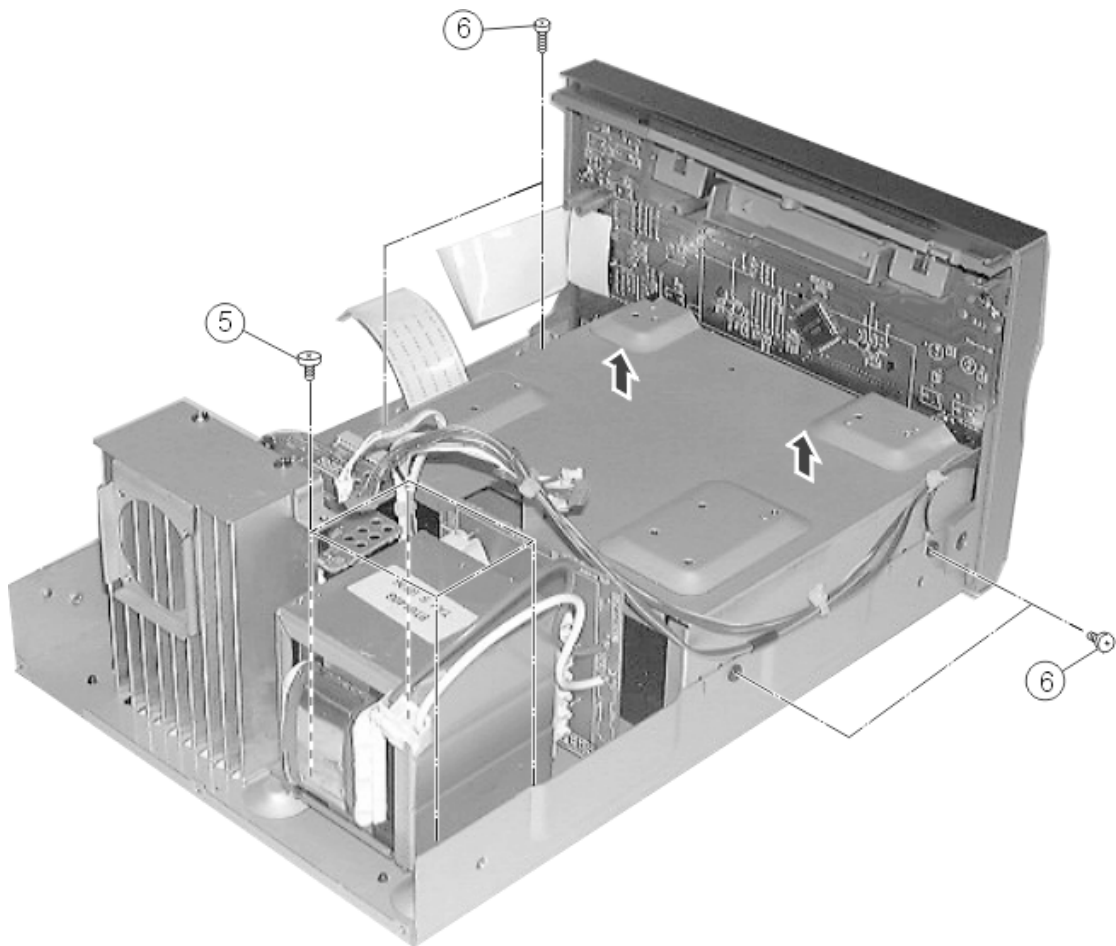
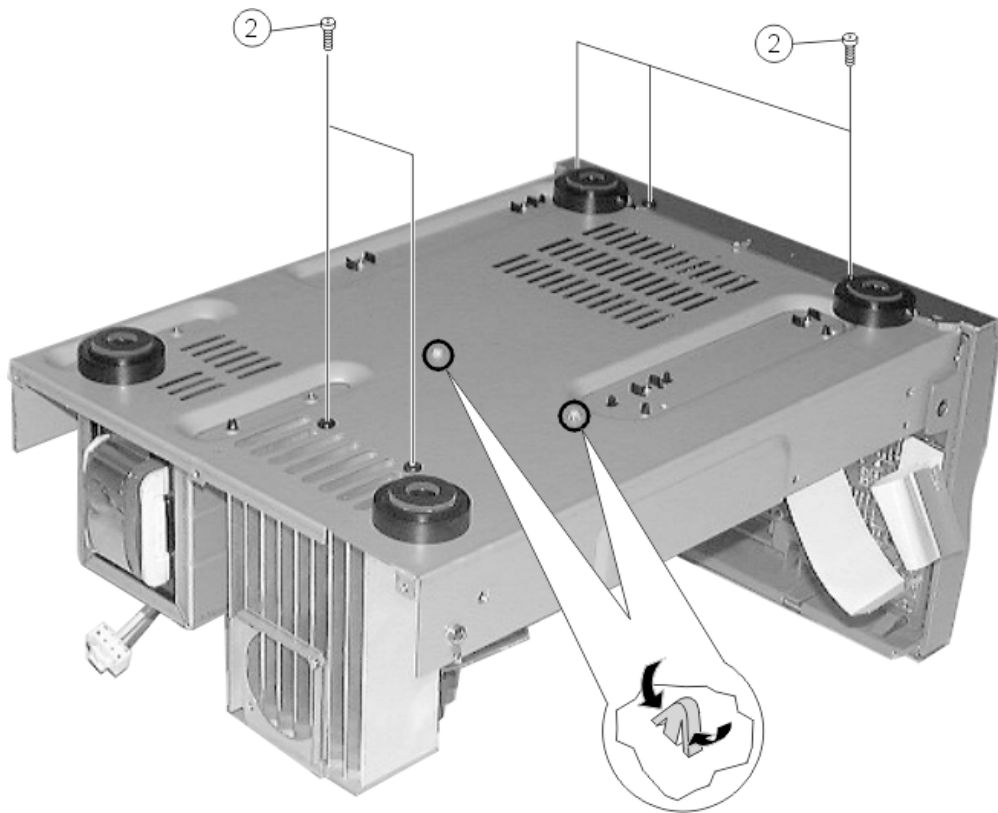
Removal of SUPPLY P.W.B. Board

1. Detach the 2 connectors from the Power P.W.B. board and 1 connector from the STAB P.W.B. board.
2. Gently pull the SUPPLY P.W.B. board upwards.



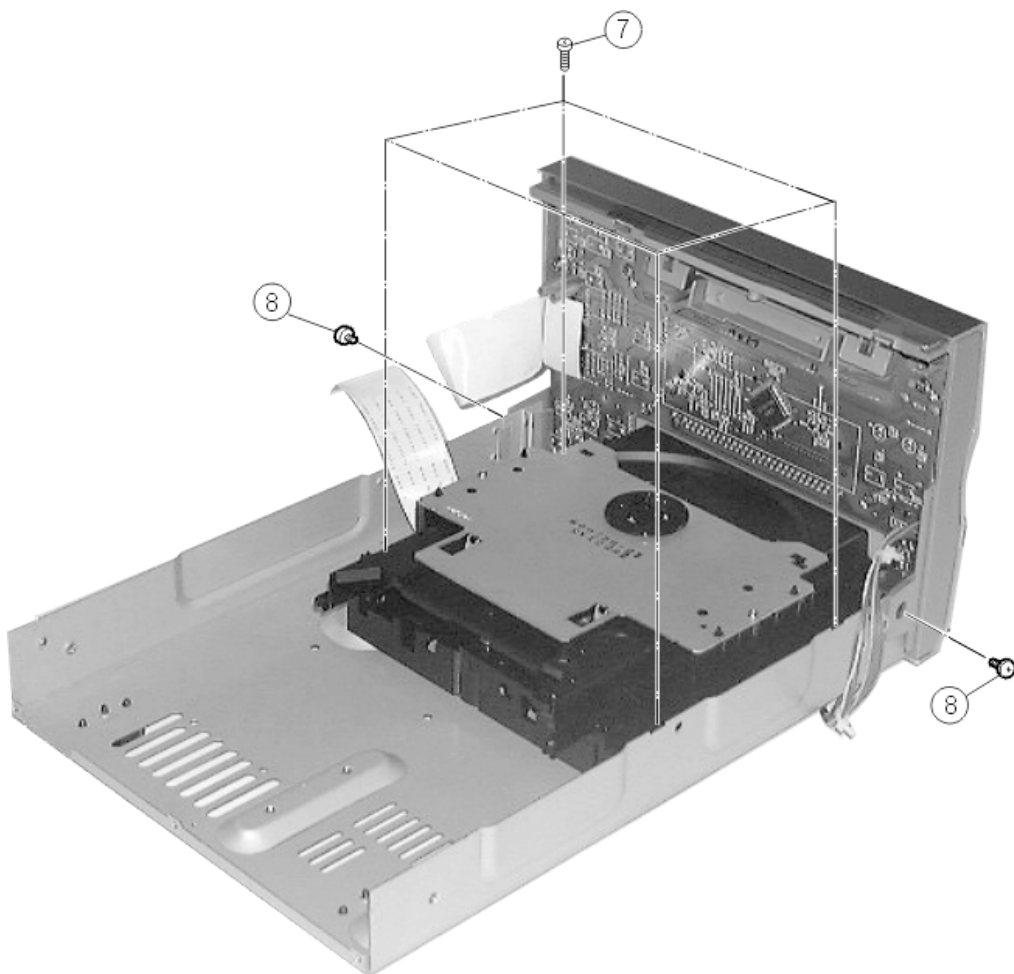
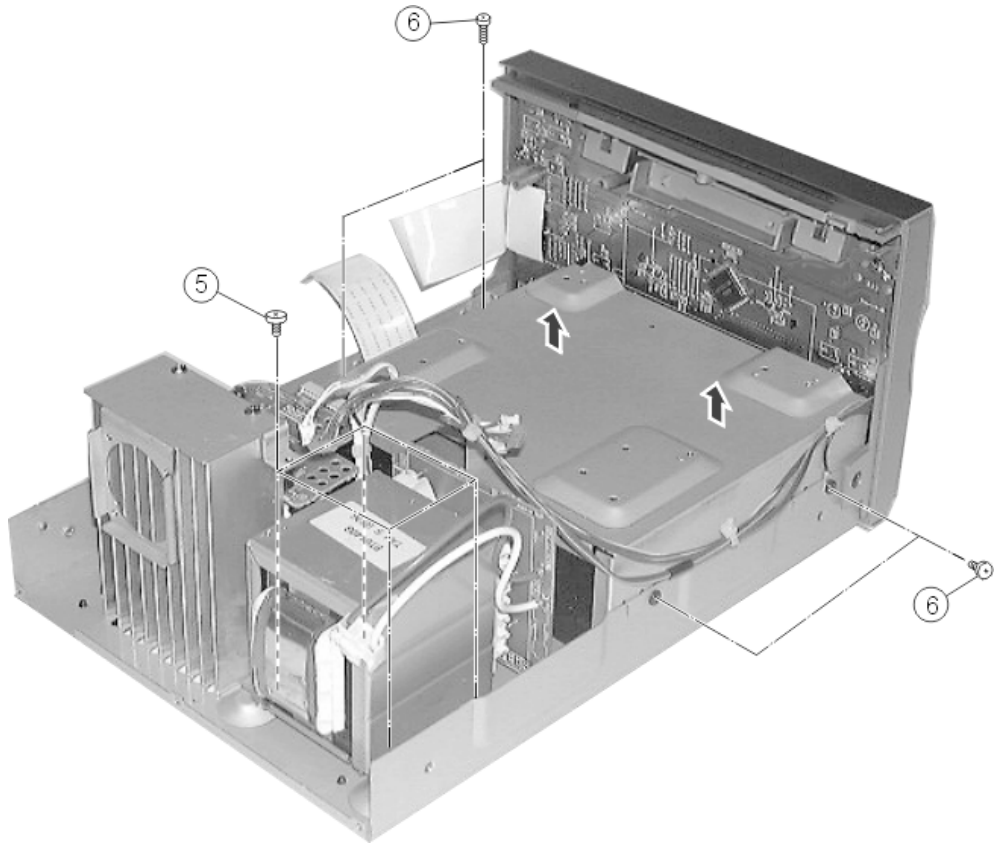
Removal of Heat Sink and Transformer

1. Invert the base plate and remove 2 screws ② connected to the heat sink. Press and push the 2 plastic catches out of the base plate.
2. Remove the 4 screws ⑤ and pull the transformer upwards together with the heat sink section.



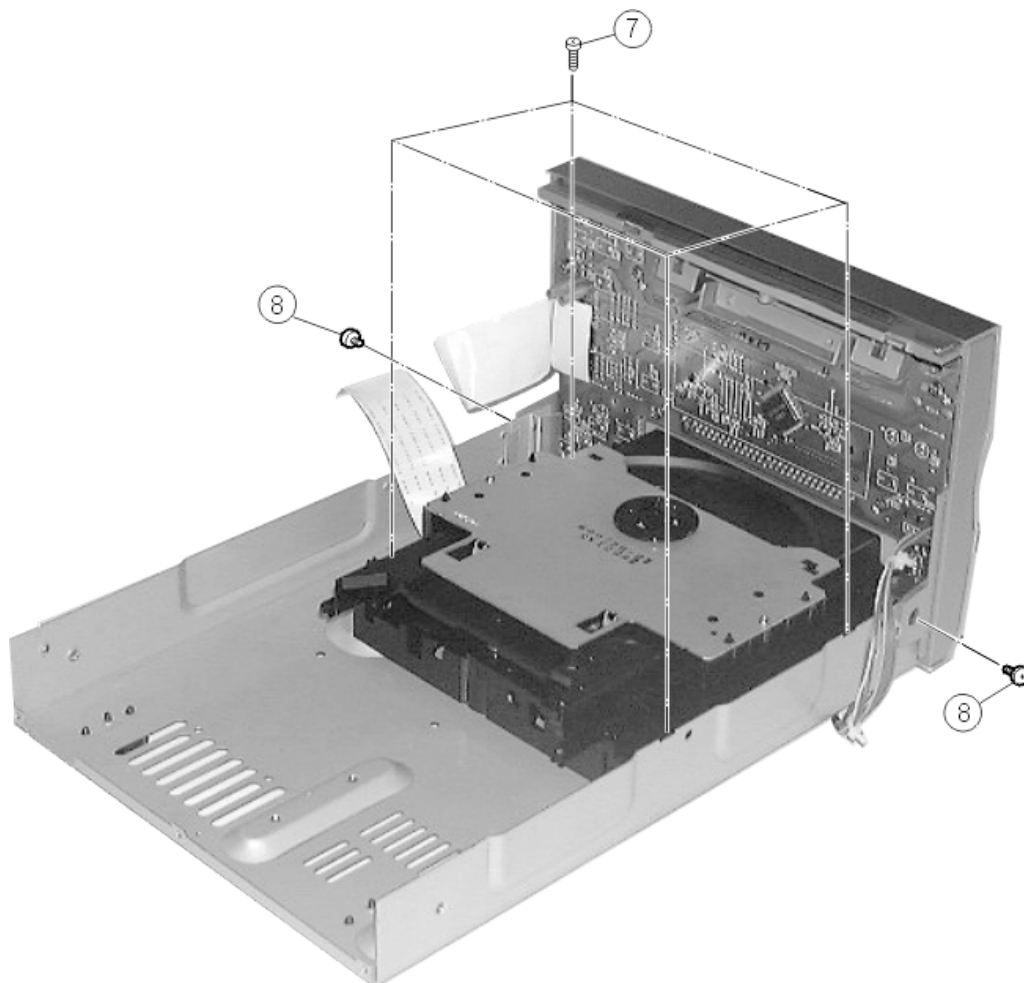
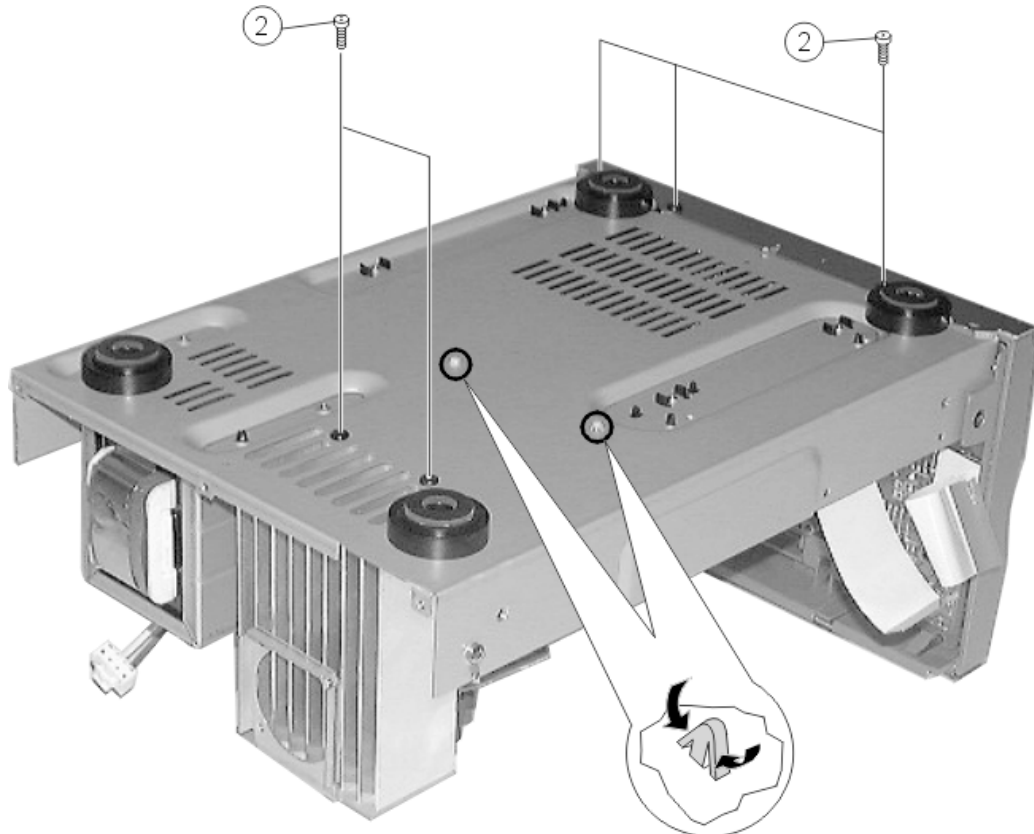
Removal of CD Mechanism

1. Remove 4 screws ⑥ and pull up the metal casing.
2. Remove 4 screws ⑦ and pull up the CD mechanism.



Removal of Front Panel

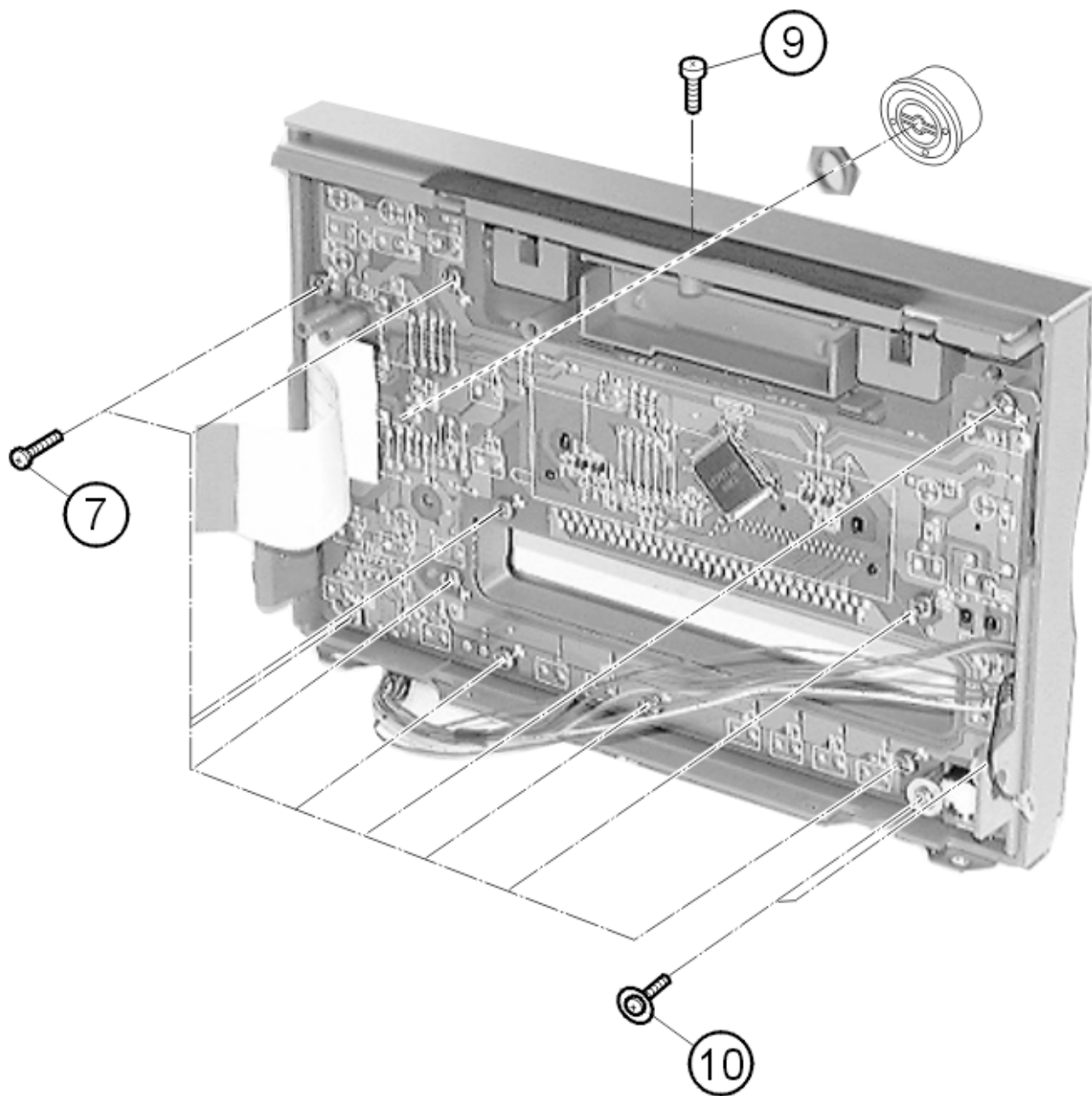
1. Remove 3 screws ② at the bottom of the base plate.
2. Remove 1 screw ⑧ on each side of the base plate, then pull the Front Panel away.



Removal of FL DISP P.W.B. Board

1. Remove 10 screws ⑦ and 2 screws ⑩.

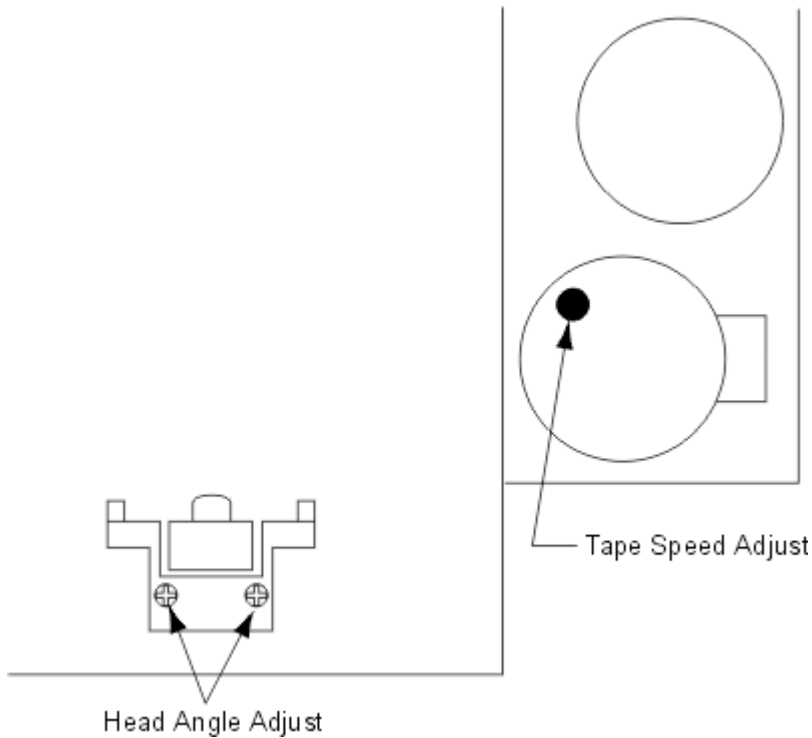
2. Gently pull the Volume knob away from the front panel, and release the nut. Detach the FL DISP P.W.B. board from the front panel cover.



Adjustments

Adjustment points

Caution: Clean head before start adjustment



Tape speed adjustment **Dolby**

Input	Adjustment value	Adjustment position
Tape Speed adjustment tape (MTT-111)	'3000 ± 10Hz	Hole on capstan motor

Note: Perform the speed adjustment in this order.

Perform the adjustment in the FWD mode as reference and confirm the speed in REV is within ±1.5% (2955 ~ 3045) with respect to FWD.

Adjustment Procedure

Connect the frequency counter to LINE OUT (play out).

Press the play key and apply heating for 20 minutes or more and apply cooling down less than 30 seconds.

Play the adjustment tape and adjust the tape speed at the center of the tape.

Play & Rec/Play head angle adjustment **Dolby**

Input	Adjustment value	Adjustment position
Angle correction tape (MTT-114N)	Max output	Head angle adjustment screw

Adjustment Procedure

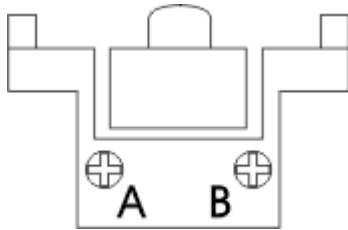
Connect the electronic voltmeter to LINE OUT (play out) and play the angle correction tape in FWD and REV mode and adjust.

Adjust screw B in FWD mode, and adjust screw A in REV mode.

If the maximum value of both channels are different and the difference is more than 2dB match the value of R channel to L channel by re-adjustment.

Adjust the phase in both channels so that the phase is within ±45° in both channels.

Note: Be sure to stop after turning the screw in tightening direction. (Backlash may occur with the screw)



Playback output adjustment Dolby

Input	Output	Adjustment value
Dolby standard tape (MTT-150)	'240mV ± 0.5dB	'RT701L:Lch 'RT701R:Rch

Adjustment Procedure

Connect the electronic voltmeter to LINE OUT JACK, and play the Dolby standard tape (MTT-150)

Adjust RT701L and RT701R so that the reading of the voltmeter is the above value. (Adjust only in FWD mode)

Take FWD mode reading as 0dB. Check REV mode, reading of voltmeter should be - 0.5dB ~ +1.5dB from FWD mode reading.

Recording level adjustment Dolby

Input	Output	Mode	Adjustment position
LINE IN JACK	LINE OUT JACK	REC PLAY	'RT702L:(Lch) 'RT702R:(Rch)

Adjustment Procedure

Input 400Hz signal to LINE IN JACK, adjust input level to 230mV-10dB.

Adjust RT702L and RT702R so that the output level at Line Out Jack is within 240mV -10dB±0.5dB when this signal is recorded and played back with Type 1 tape (UD-1).

Bias current procedure Dolby

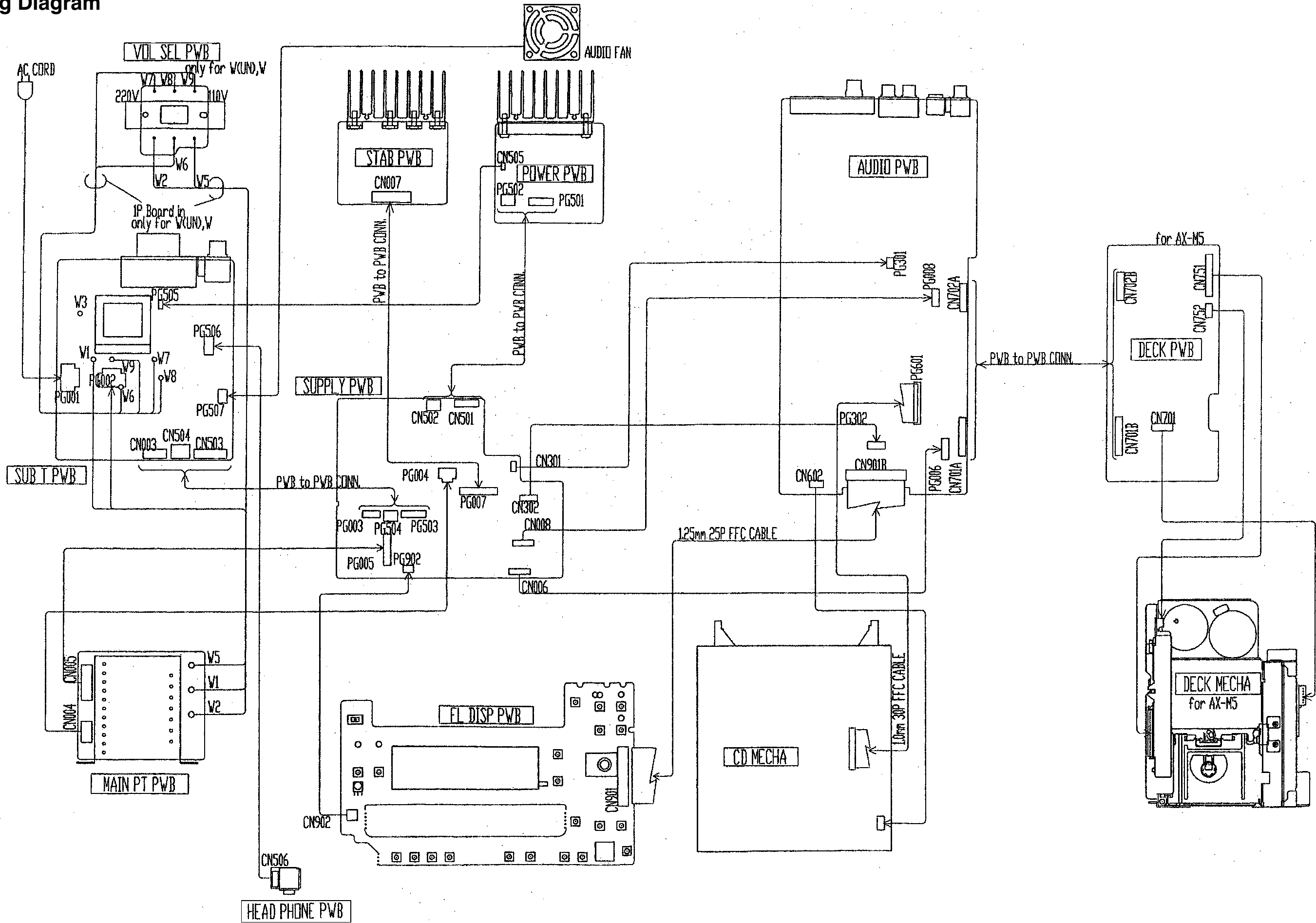
Input	Output	Mode	Adjustment position
`JK1 (Rec in)	JK1 (Play out)	REC PLAY	'RT703L:(Lch) 'RT703R:(Rch)

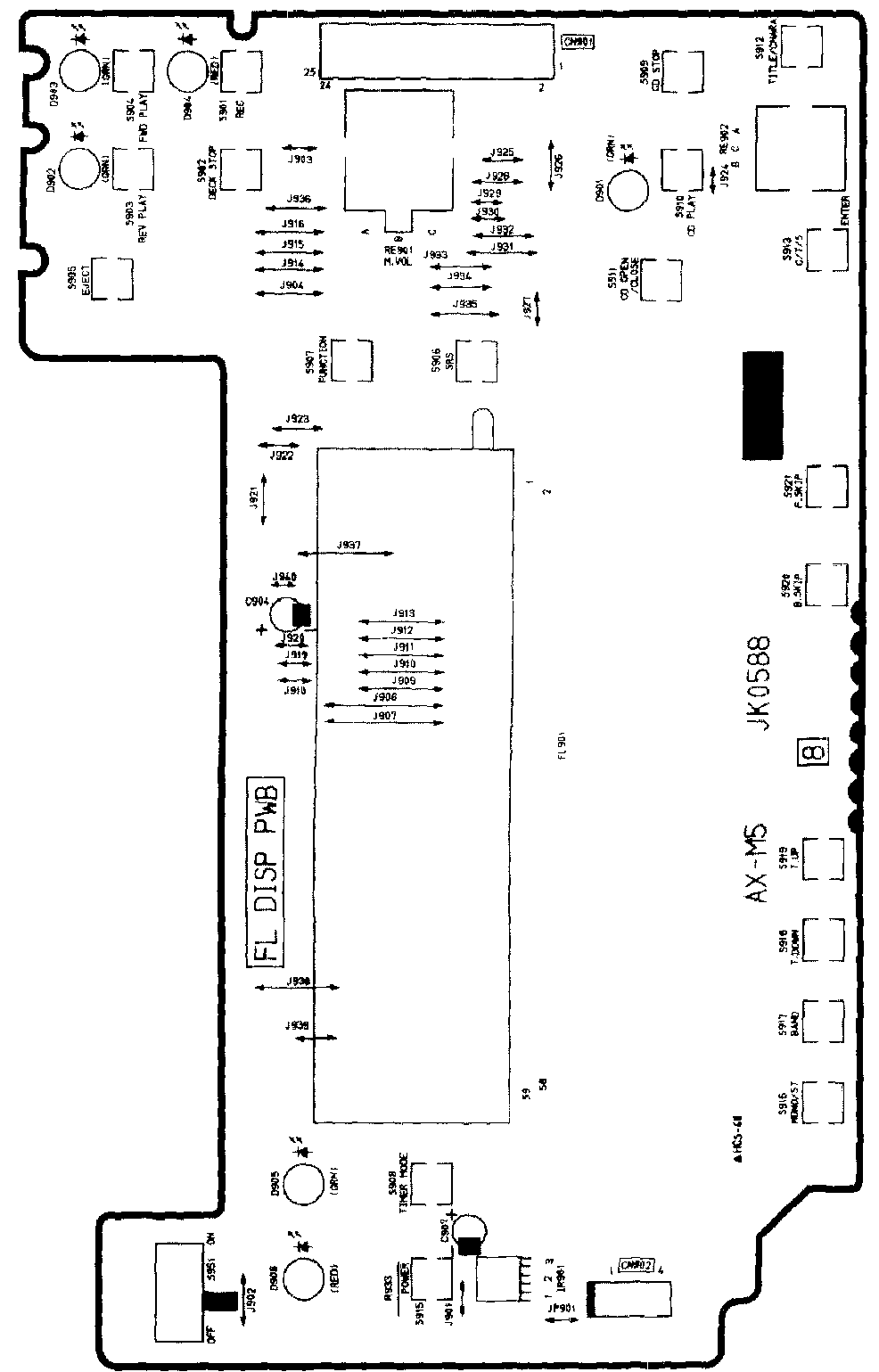
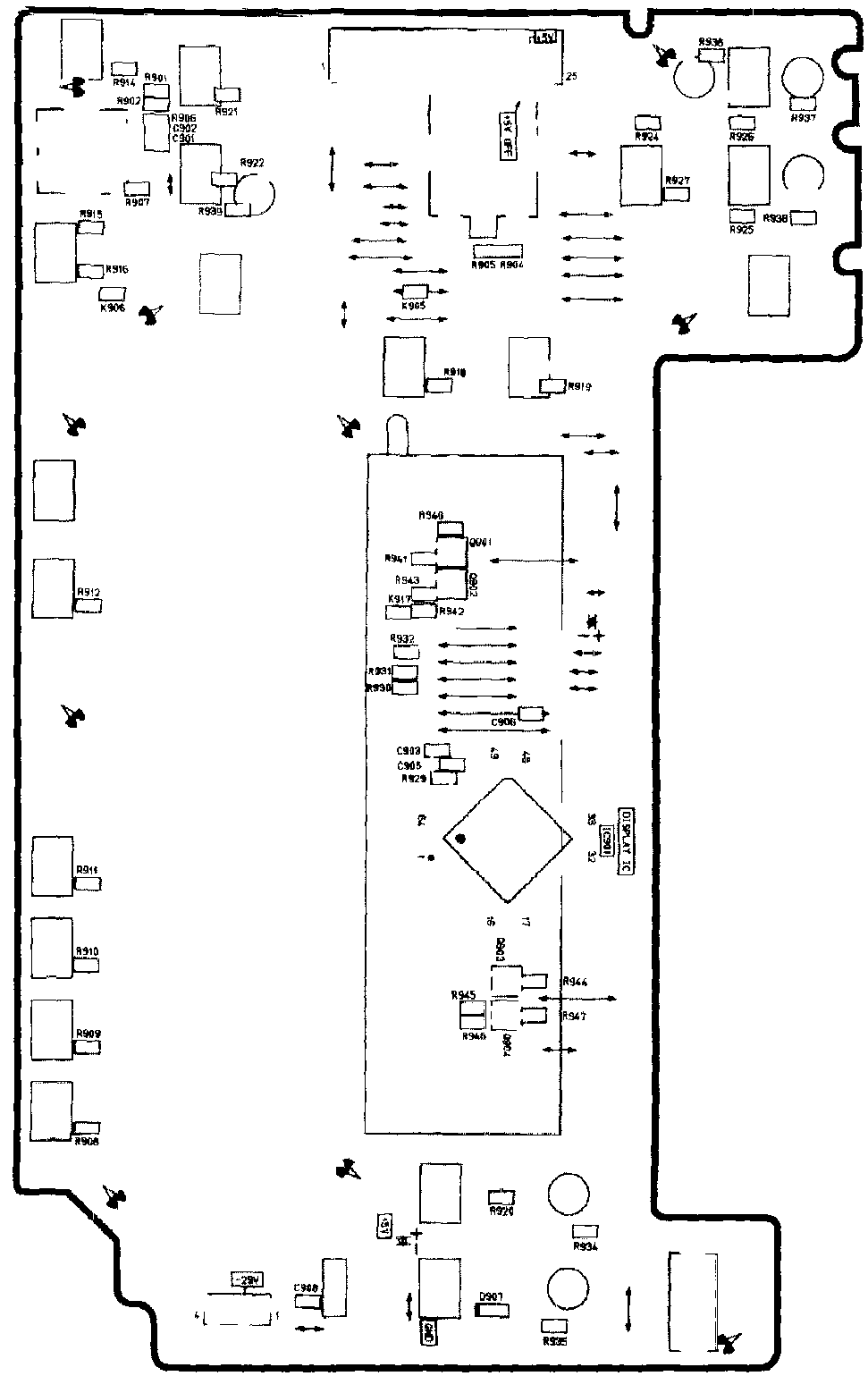
Adjustment Procedure

Input 1.25kHz/12.5kHz signal to LINE IN JACK, adjust input level to 230mV-23dB.

Adjust RT703L and RT703R so that the difference of play out level of 12.5kHz from that of 1.25kHz is within +2dB ~ -0.5dB when these signals are recorded and played back with Type 1 (UD-1). (Tape-- Black Colour)

Wiring Diagram

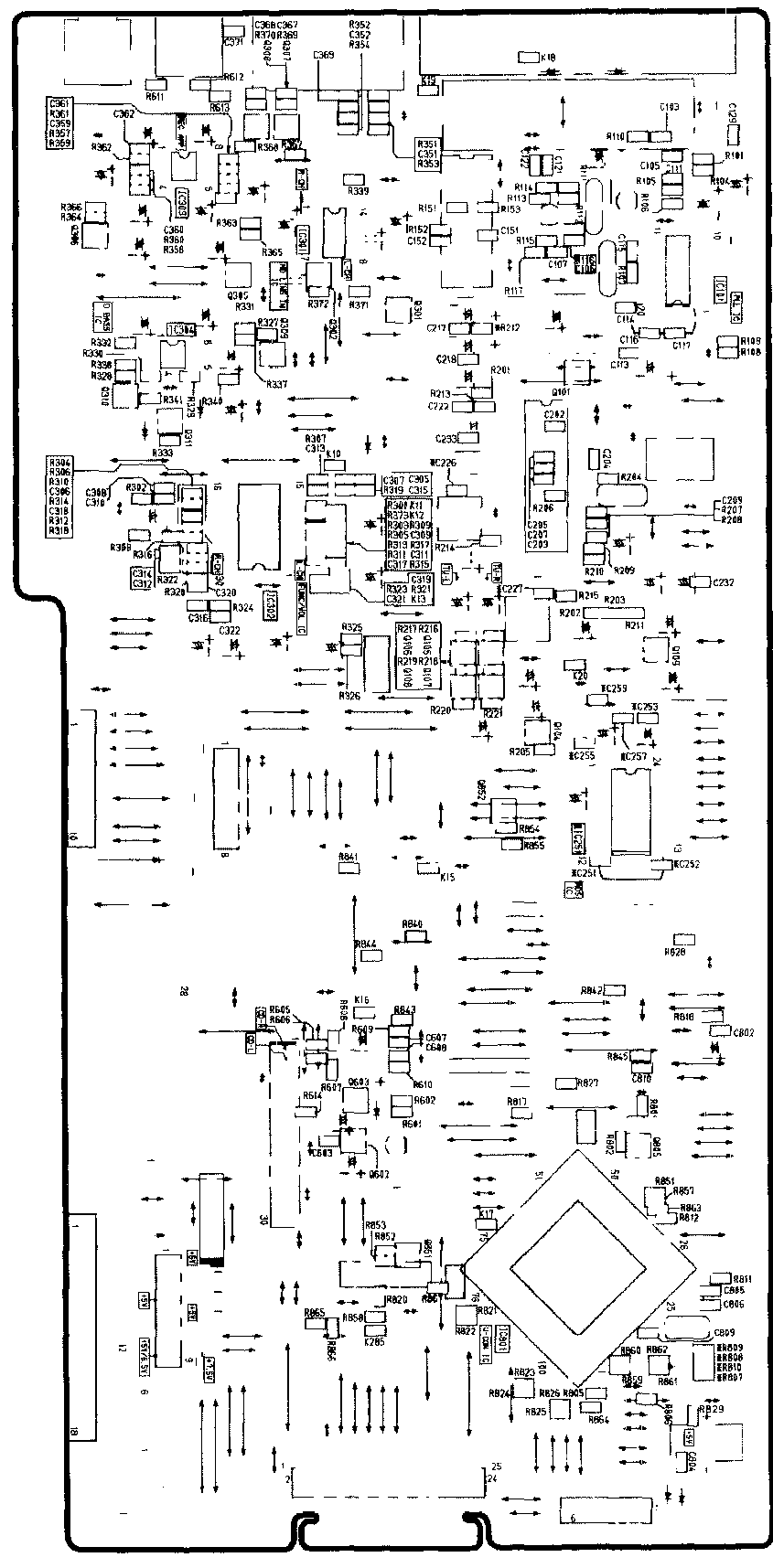
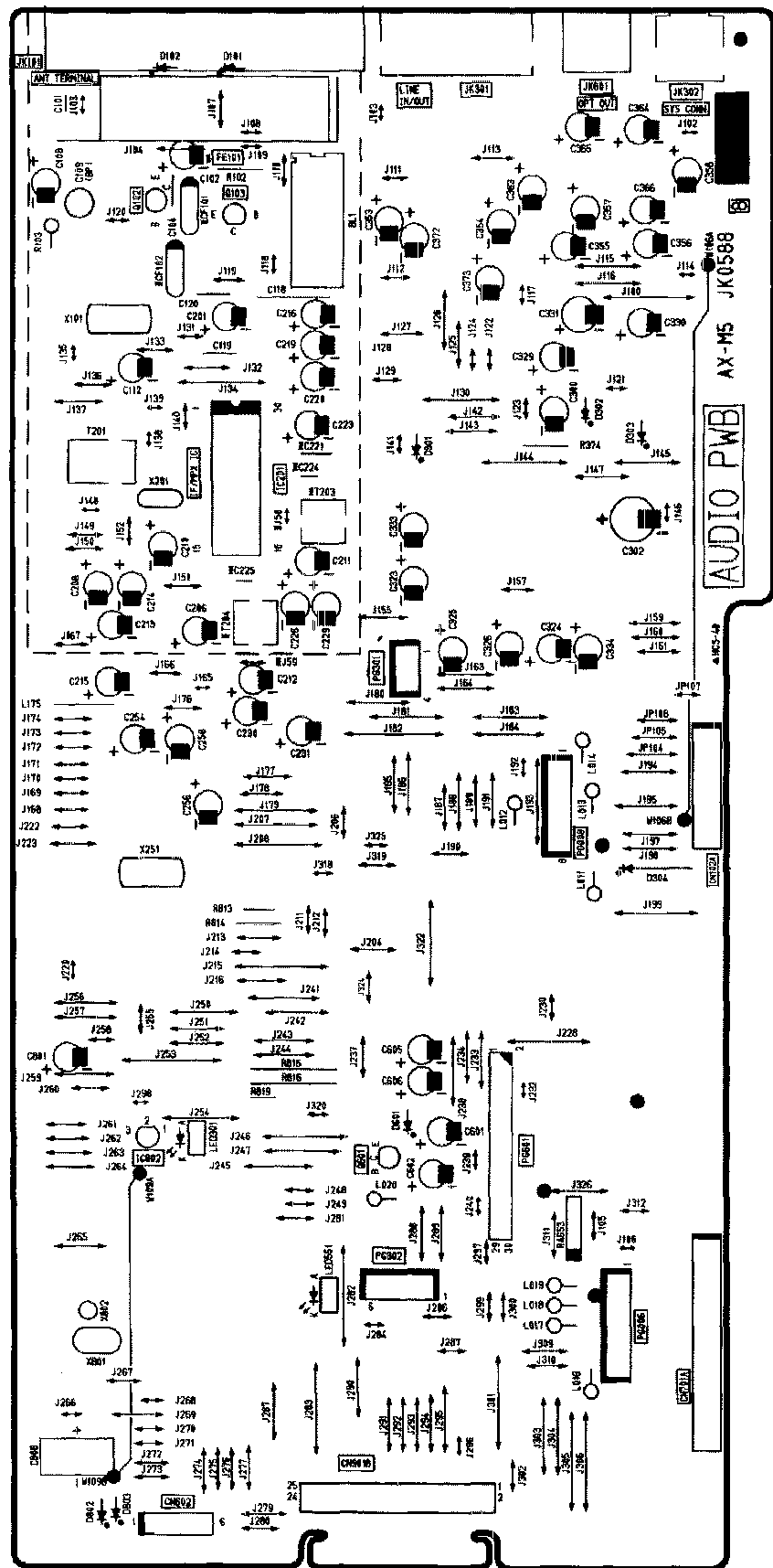




No 0095E

FL DISP PWB

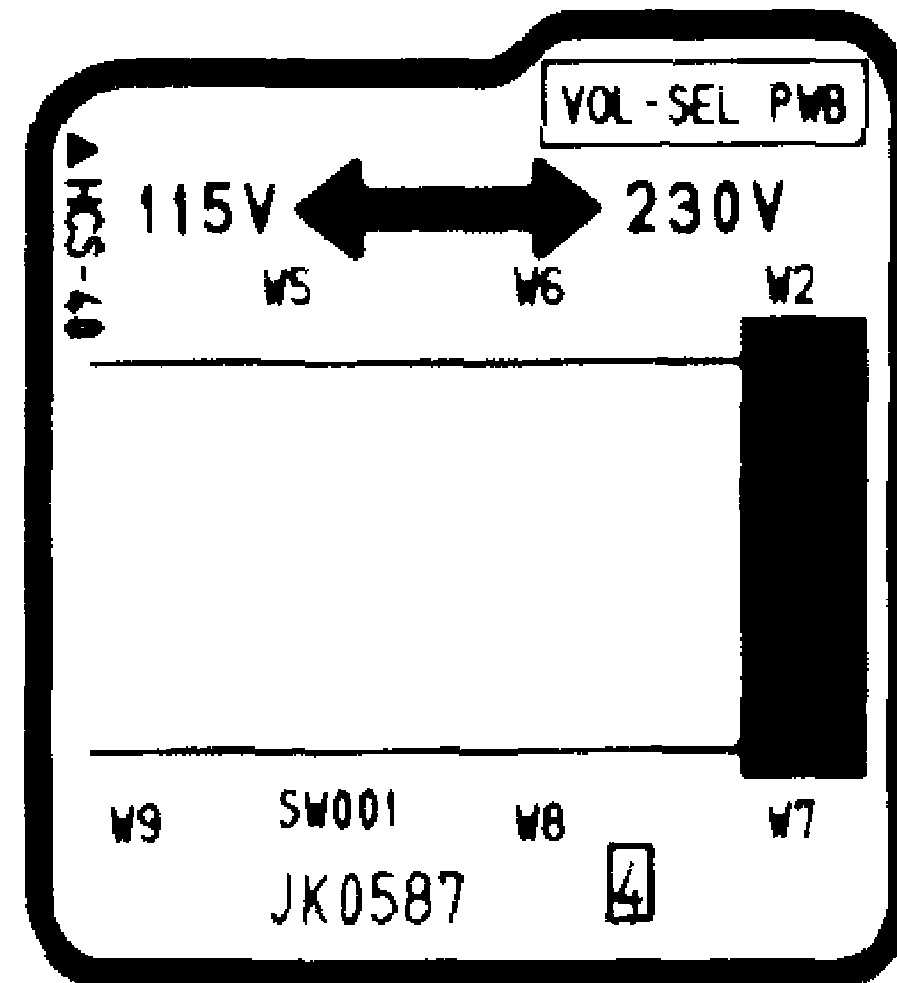
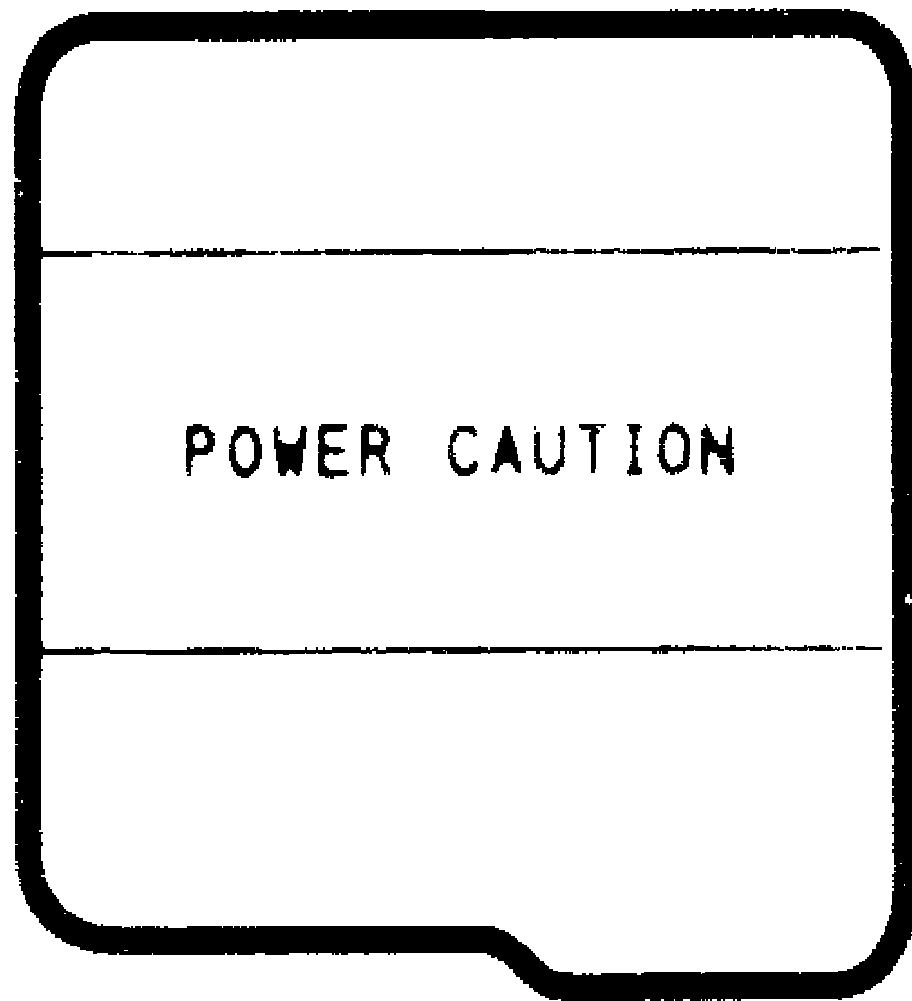
HITACHI

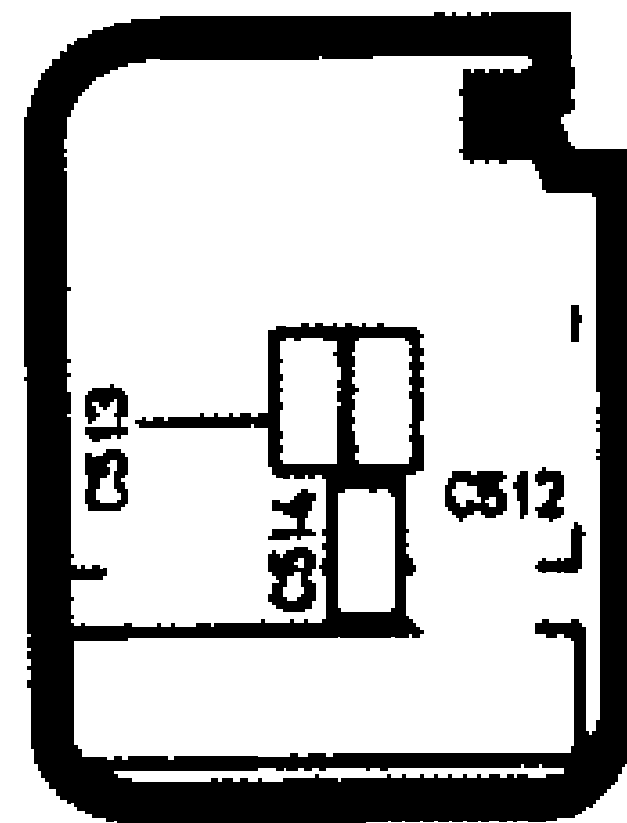
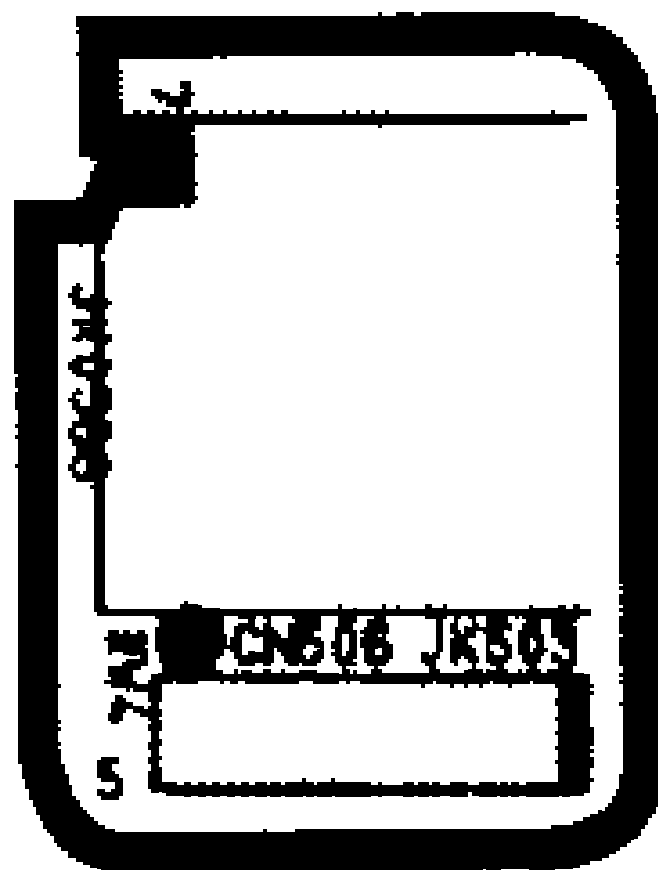


No 0095E

AUDIO PWB

HITACHI

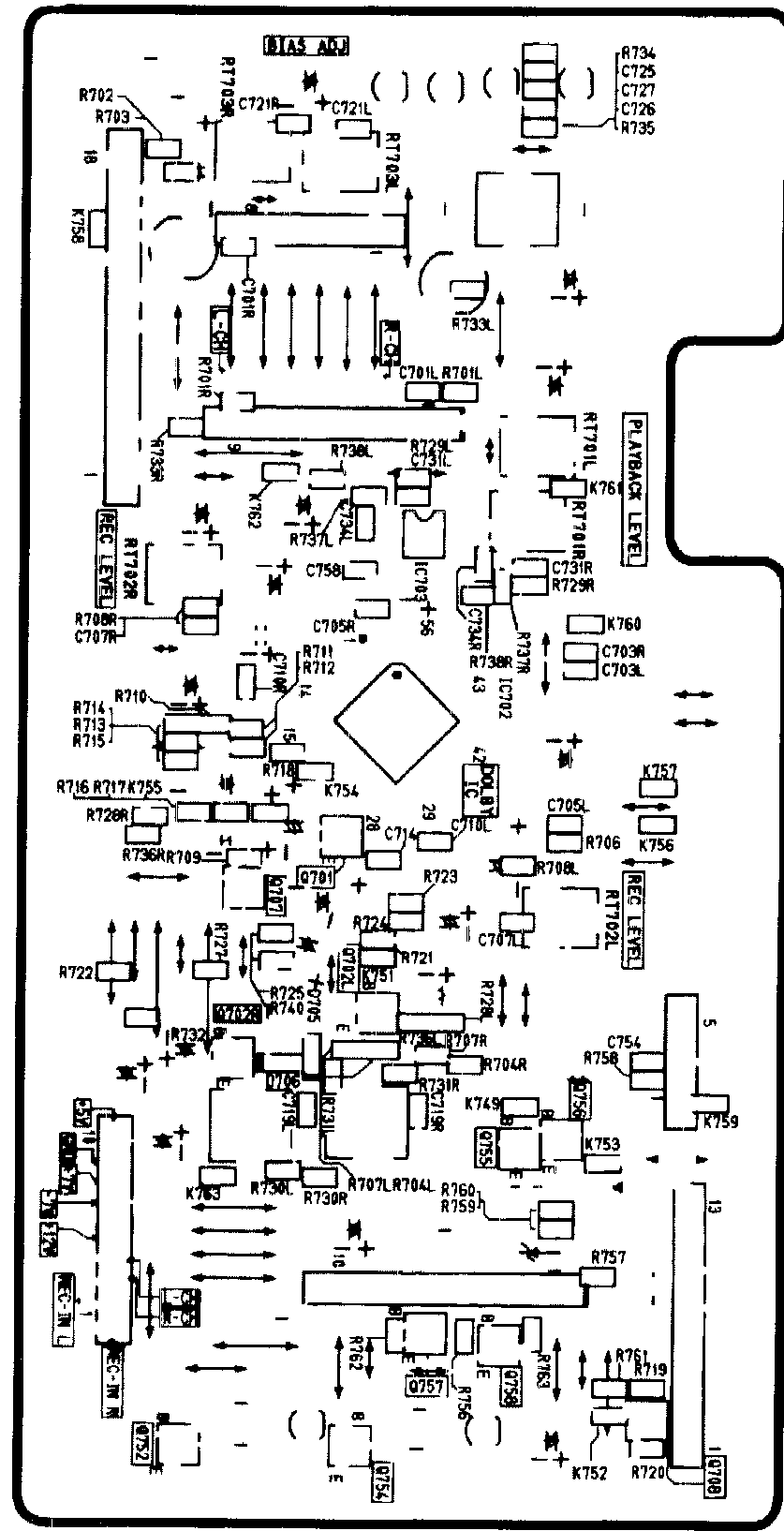
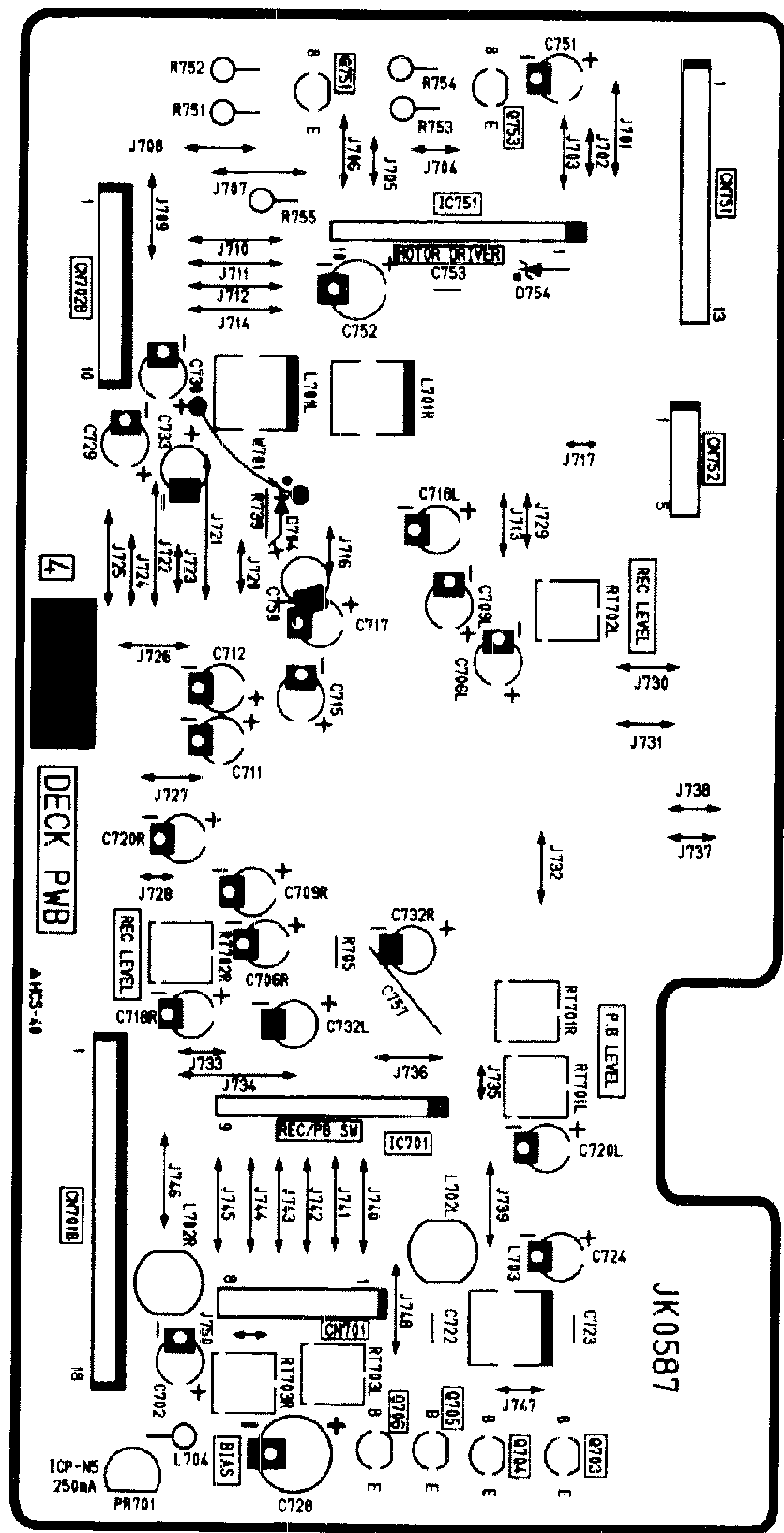


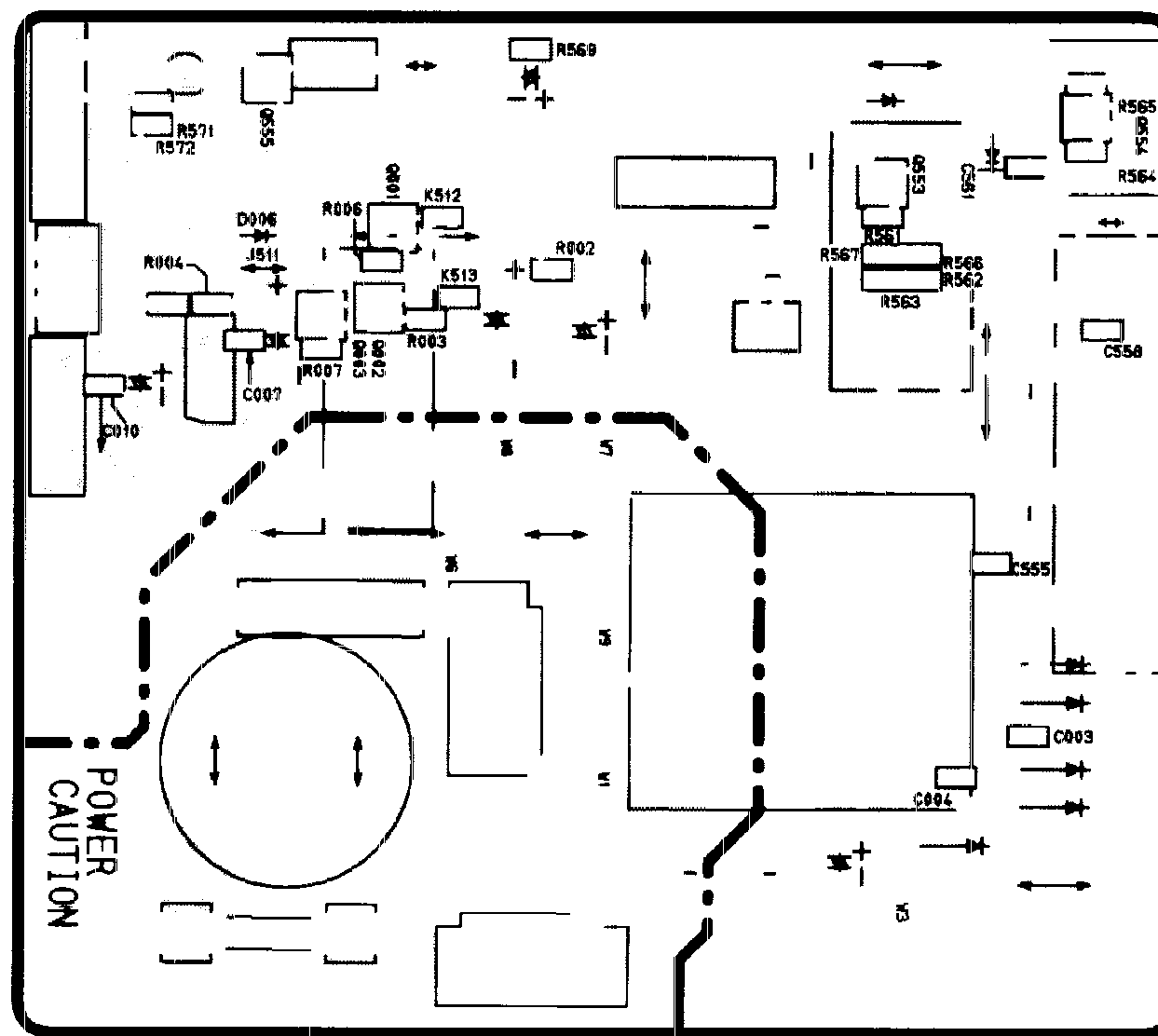
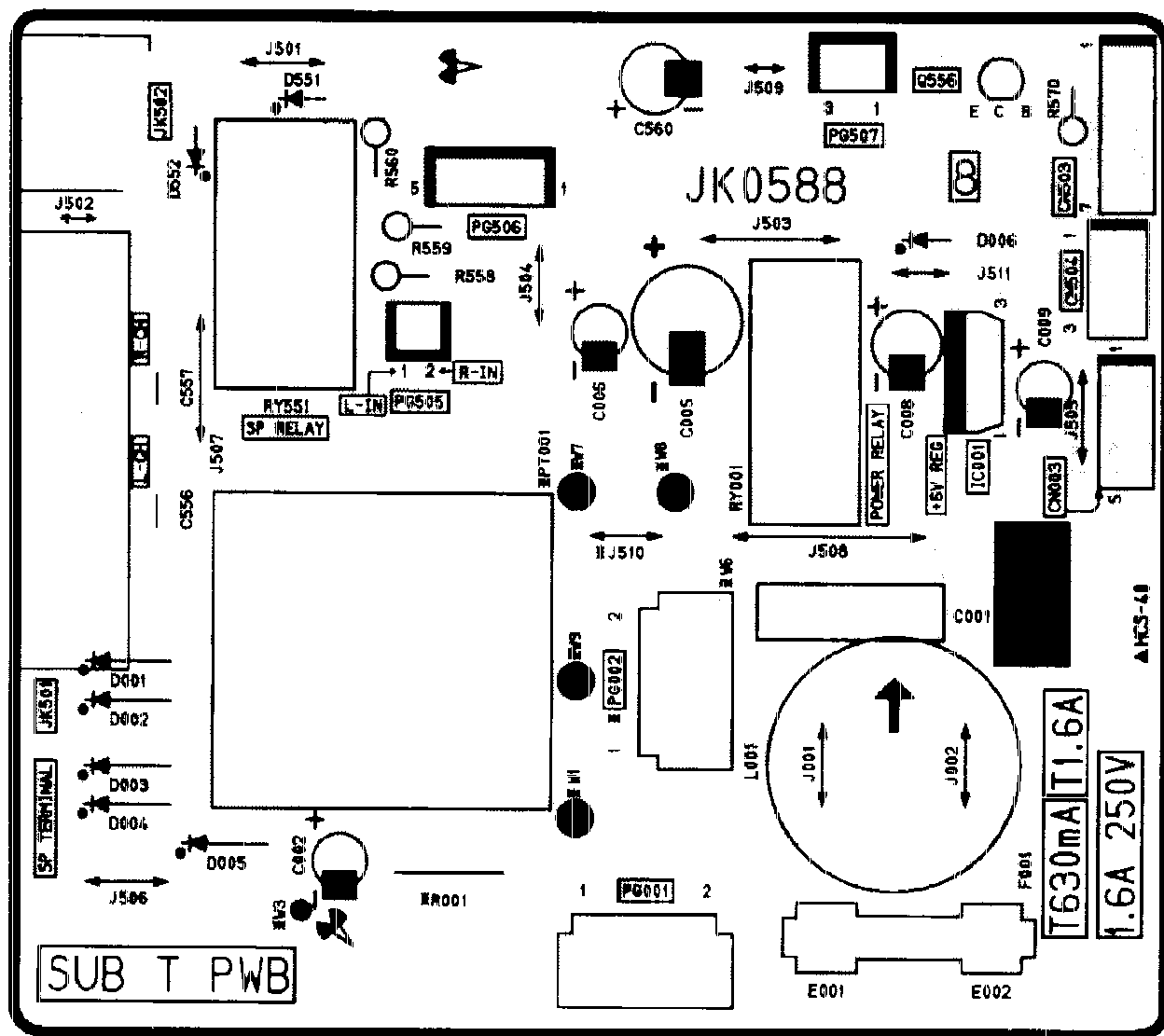


No 0095E

CN506 JK503

HITACHI

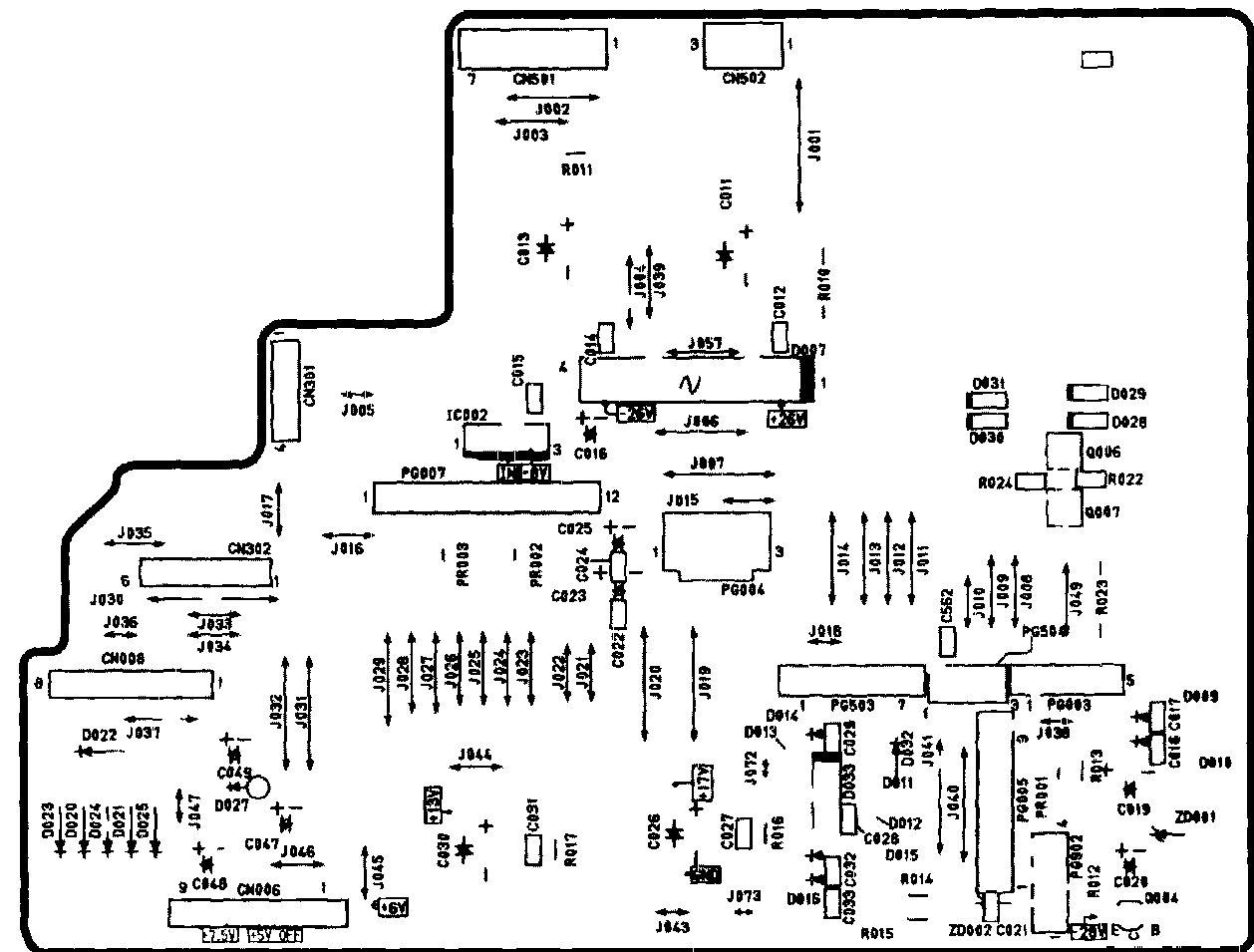
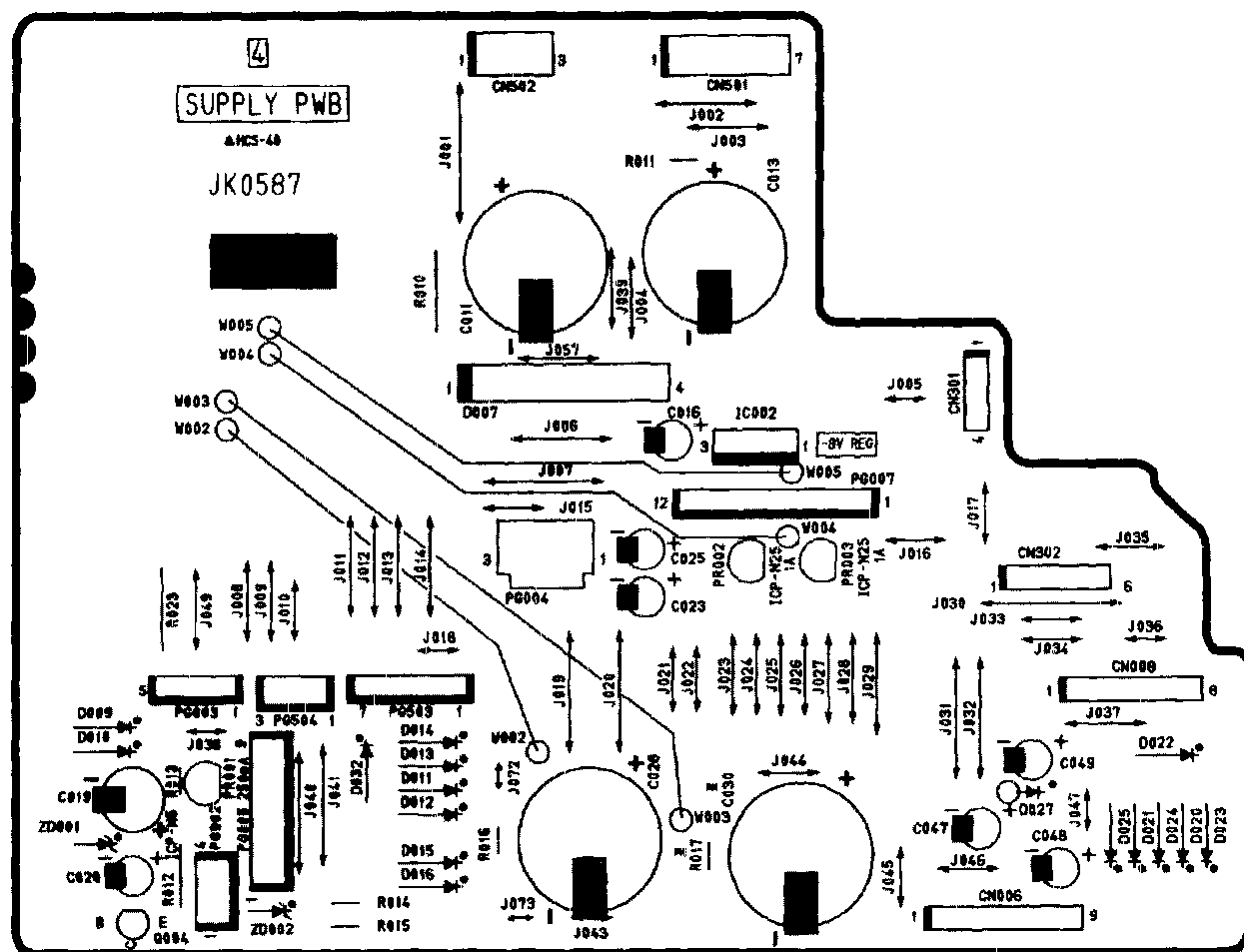




No 0095E

SUB T PWB

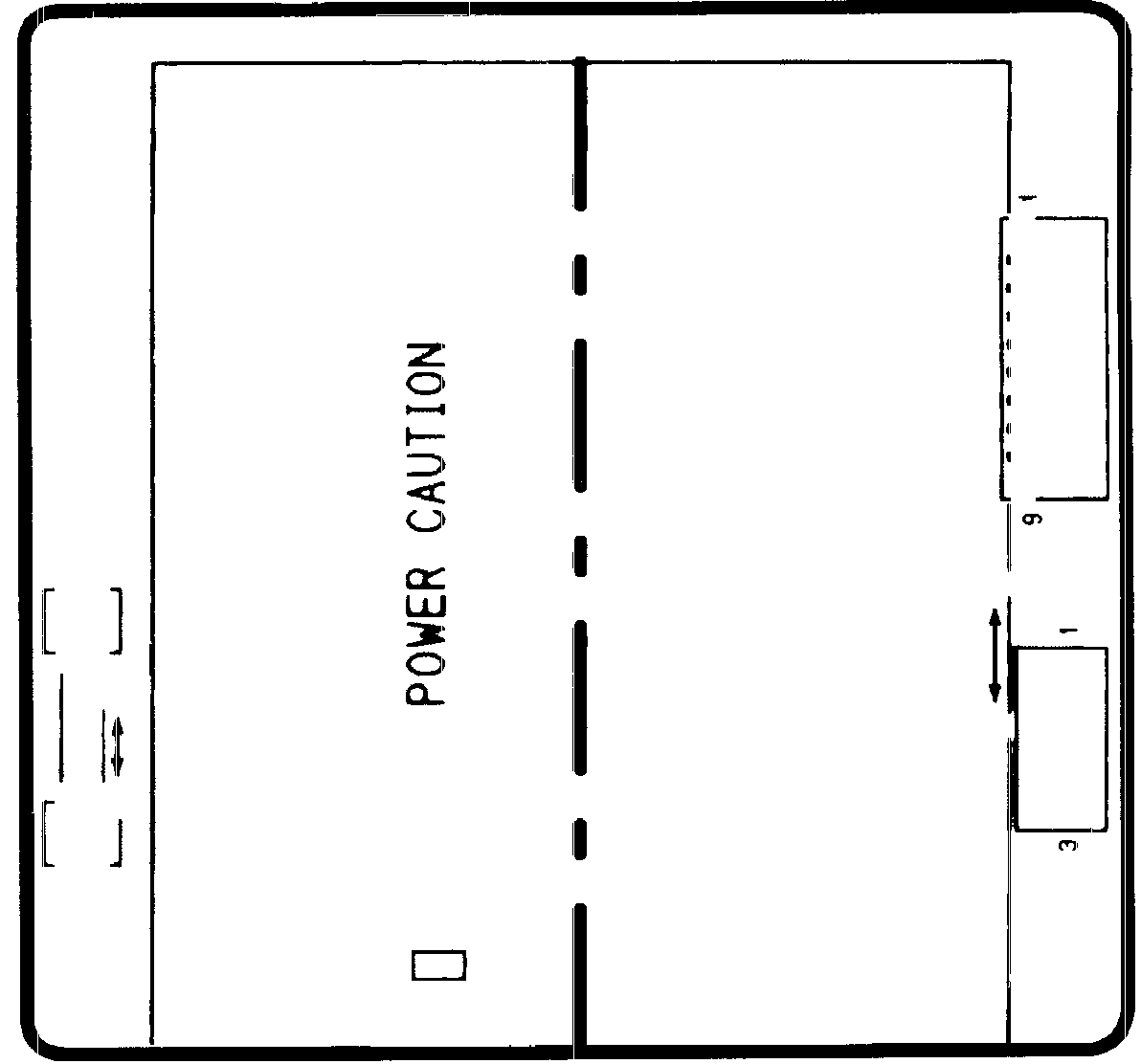
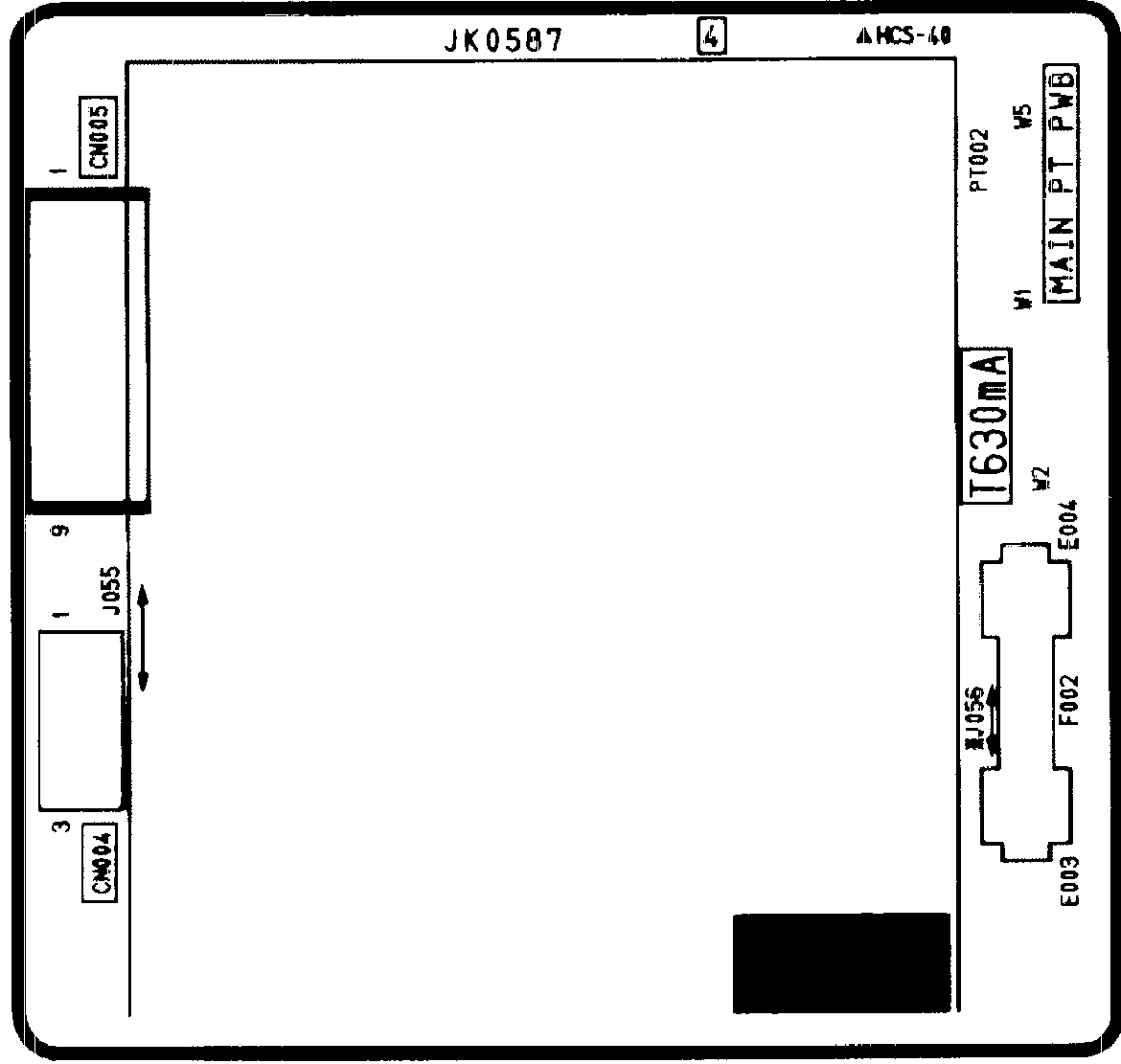
HITACHI

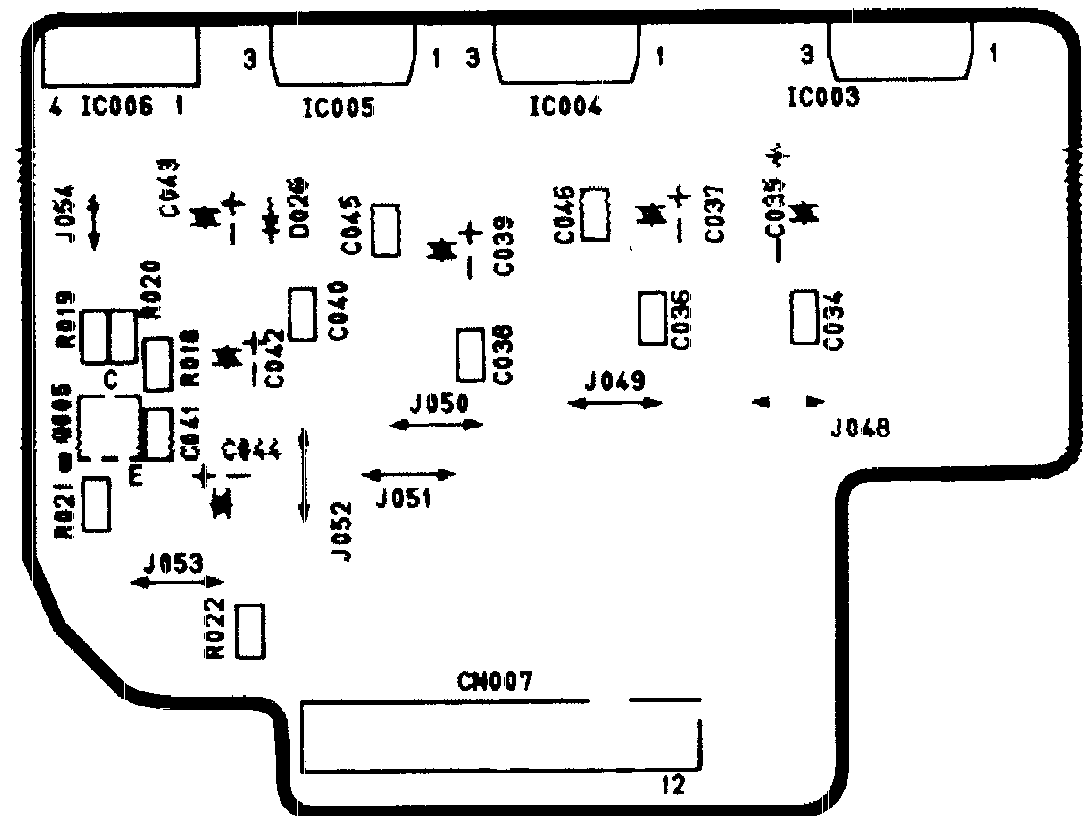
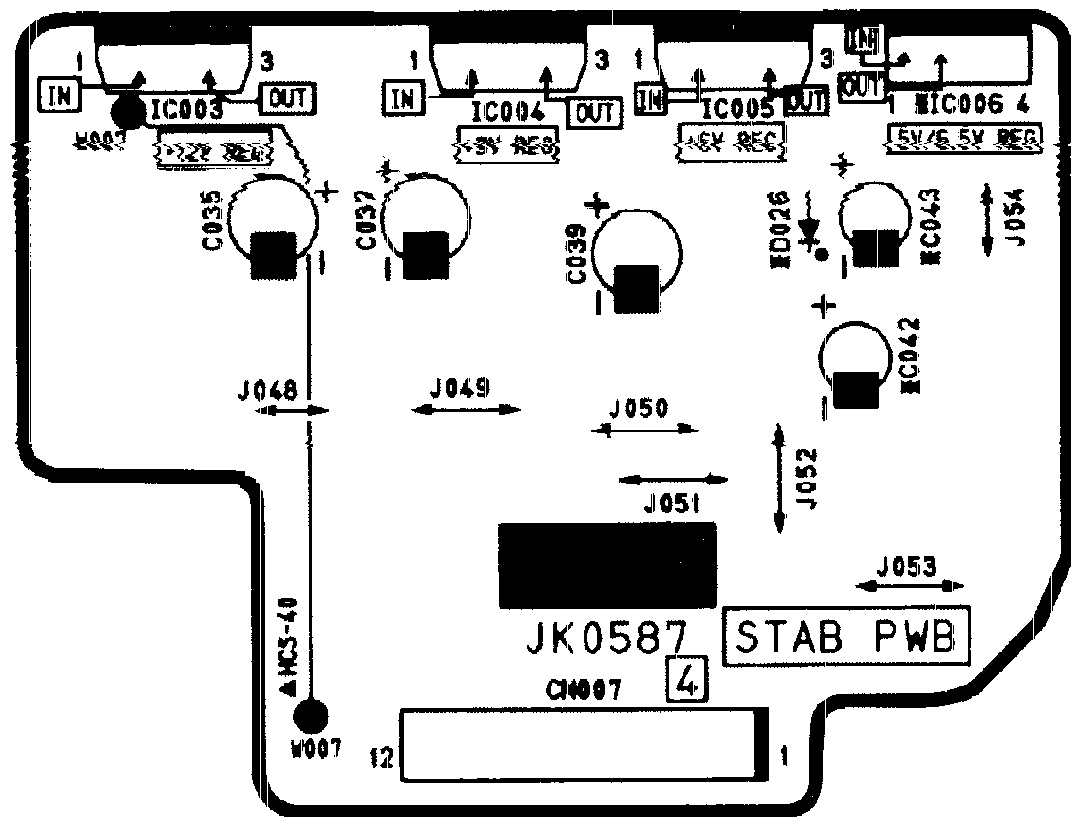


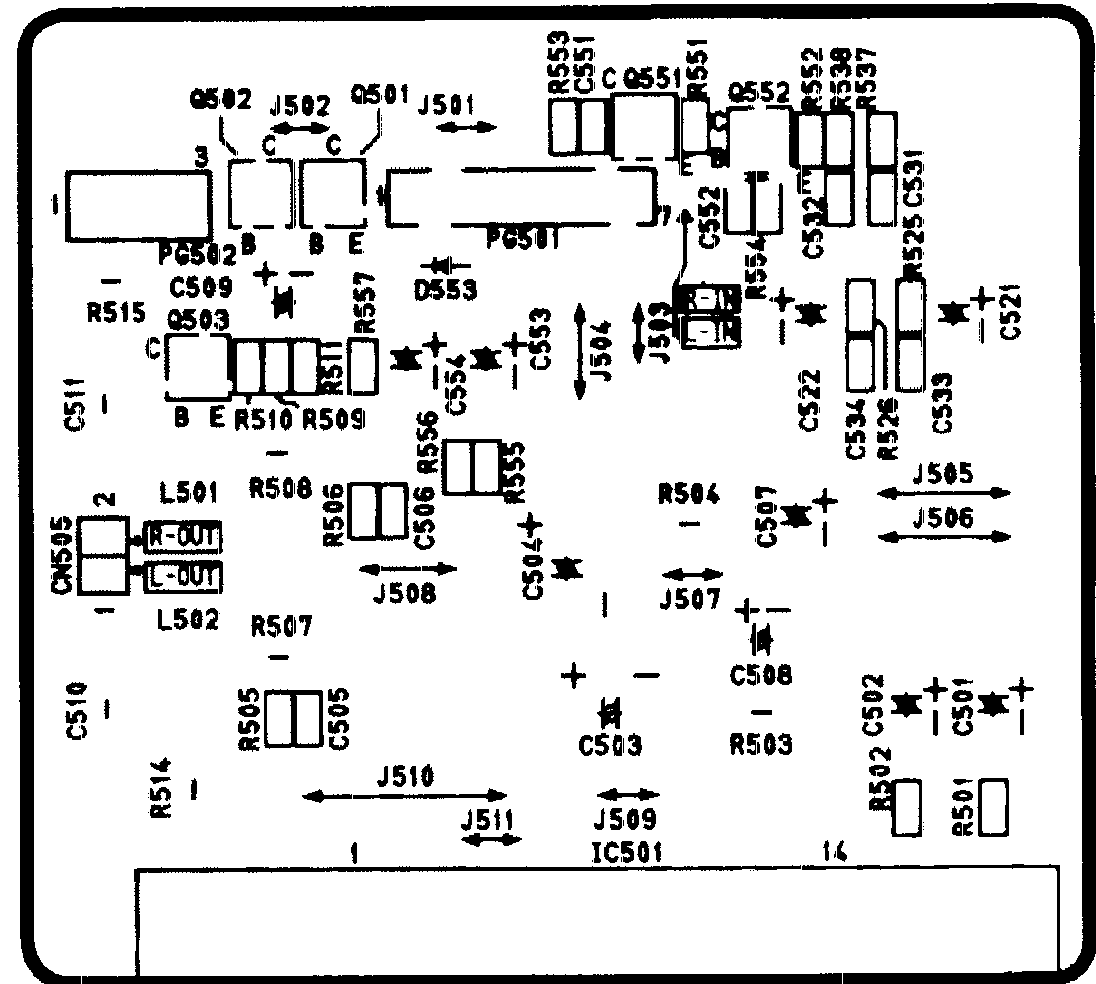
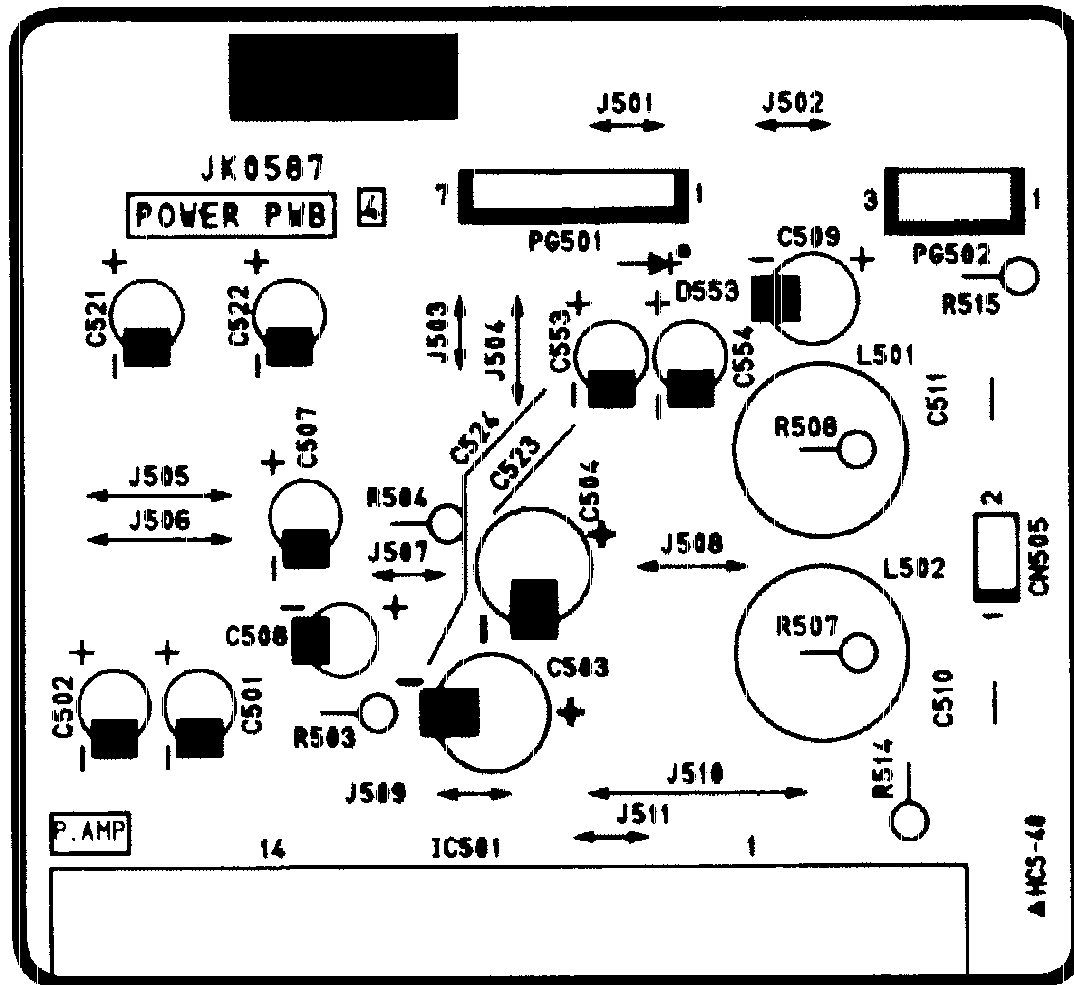
No 0095E

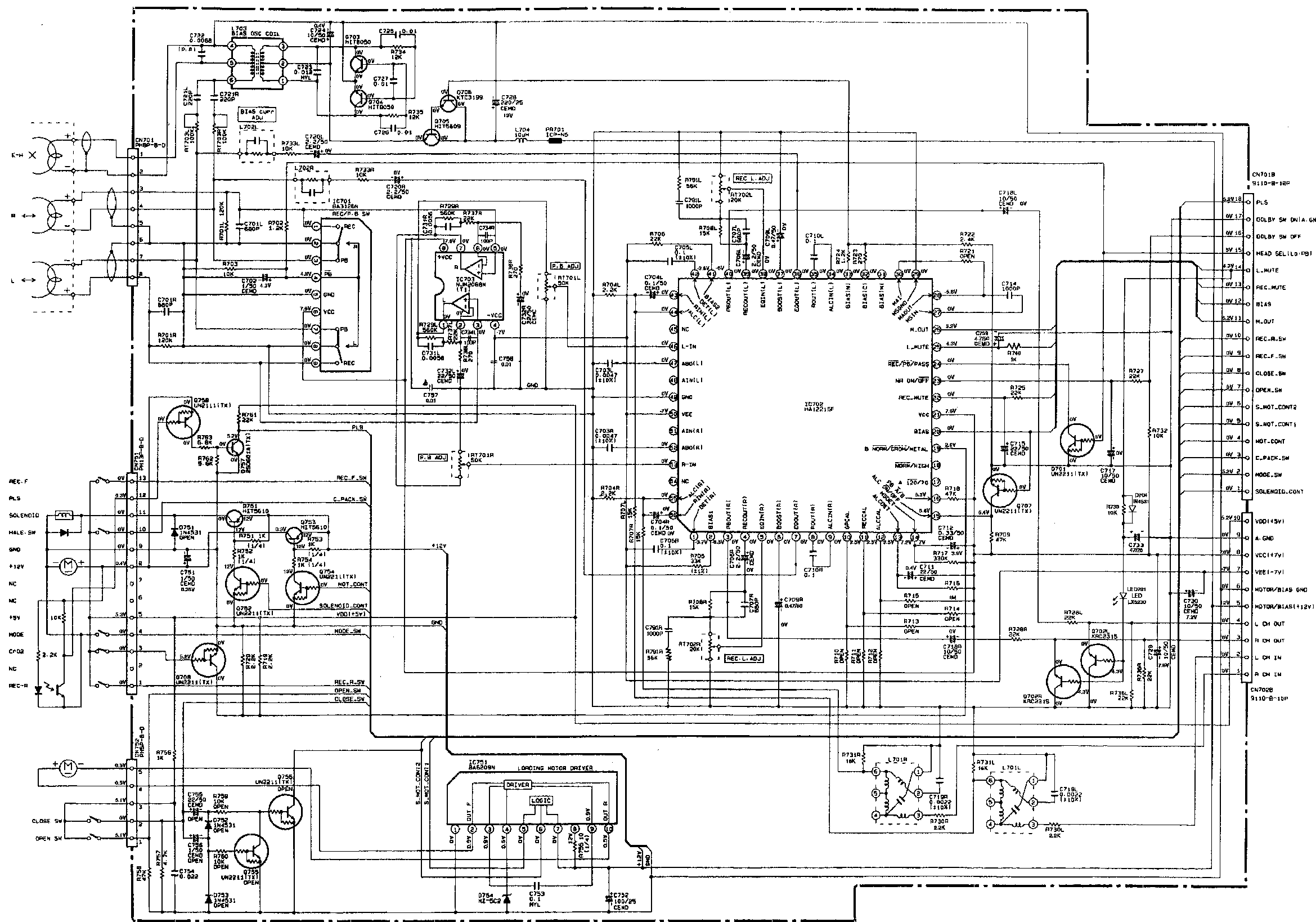
SUPPLY PWB

HITACHI





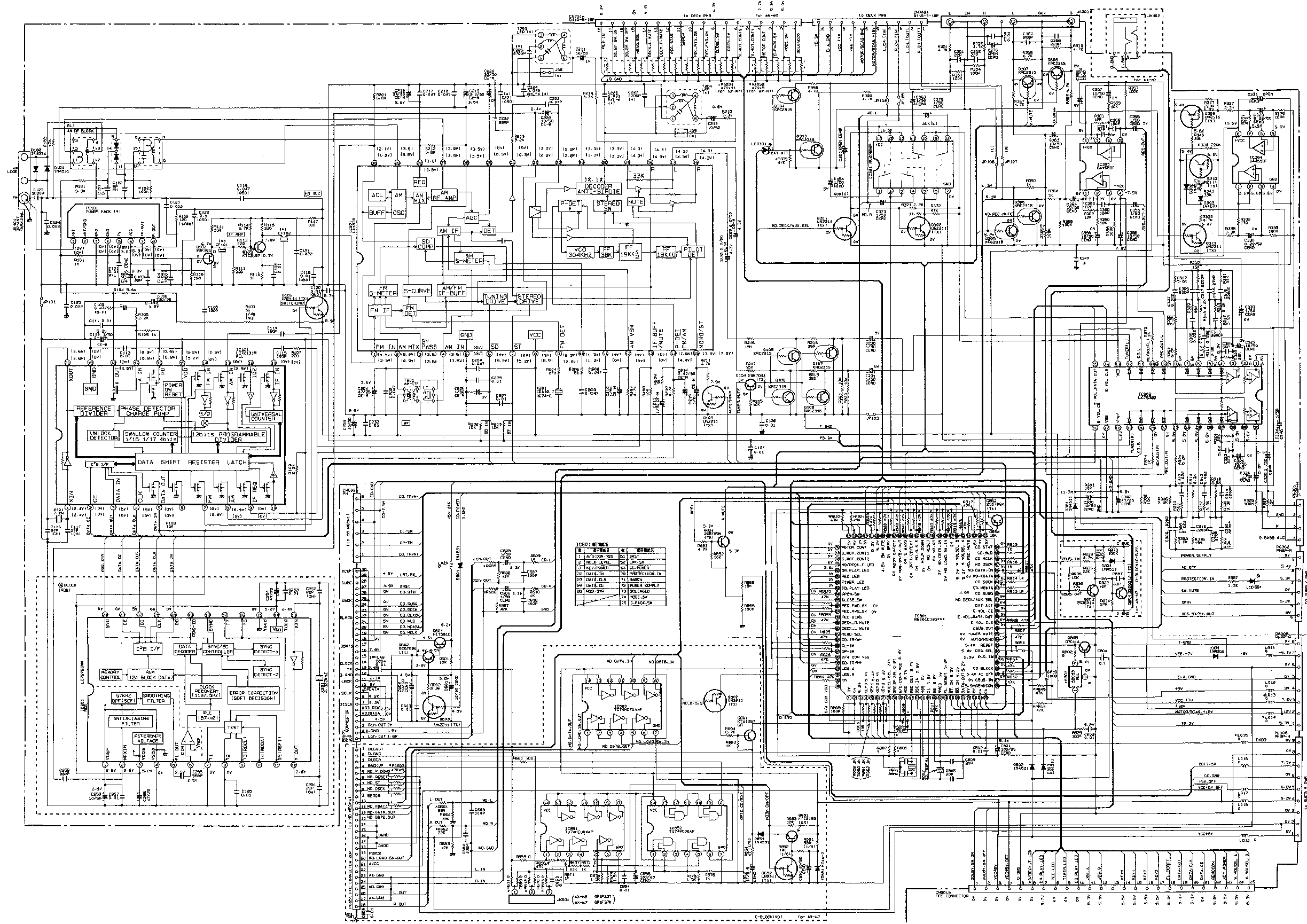




No 0095E

DECK CIRCUIT

HITACHI



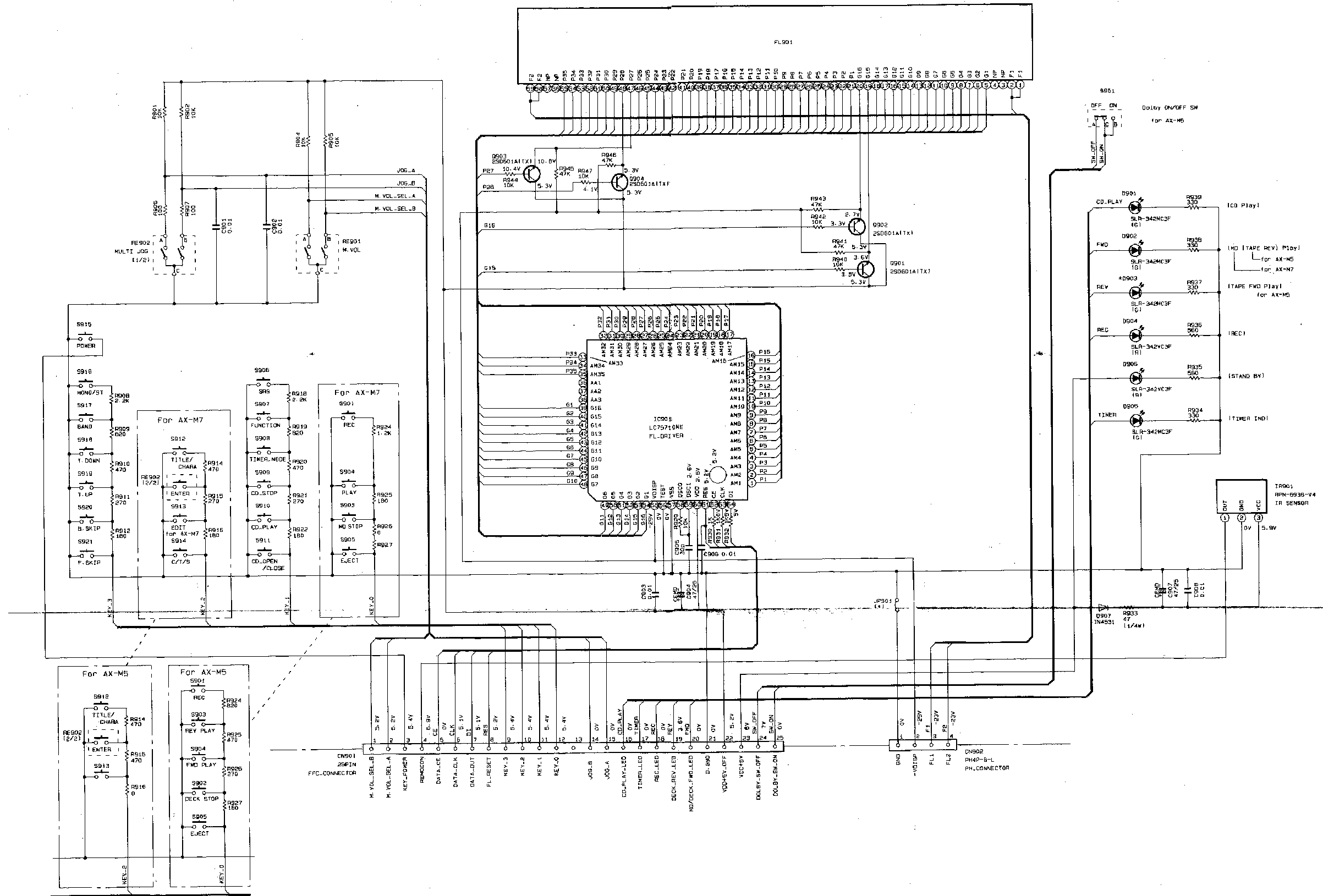
IC001 脚番表

脚番	機能	接続
1	FM 検出	FM DET
2	FM 変調	FM MOD
3	FM 変調	FM MOD
4	FM 変調	FM MOD
5	FM 変調	FM MOD
6	FM 変調	FM MOD
7	FM 変調	FM MOD
8	FM 変調	FM MOD
9	FM 変調	FM MOD
10	FM 変調	FM MOD
11	FM 変調	FM MOD
12	FM 変調	FM MOD
13	FM 変調	FM MOD
14	FM 変調	FM MOD
15	FM 変調	FM MOD
16	FM 変調	FM MOD
17	FM 変調	FM MOD
18	FM 変調	FM MOD
19	FM 変調	FM MOD
20	FM 変調	FM MOD
21	FM 変調	FM MOD
22	FM 変調	FM MOD
23	FM 変調	FM MOD
24	FM 変調	FM MOD
25	FM 変調	FM MOD
26	FM 変調	FM MOD
27	FM 変調	FM MOD
28	FM 変調	FM MOD
29	FM 変調	FM MOD
30	FM 変調	FM MOD

No 0095E

AUDIO/TUNER CIRCUIT

HITACHI



No 0095E

FL DISP. BLOCK CIRCUIT

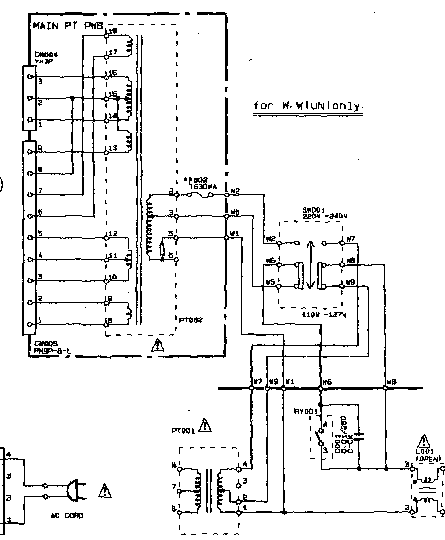
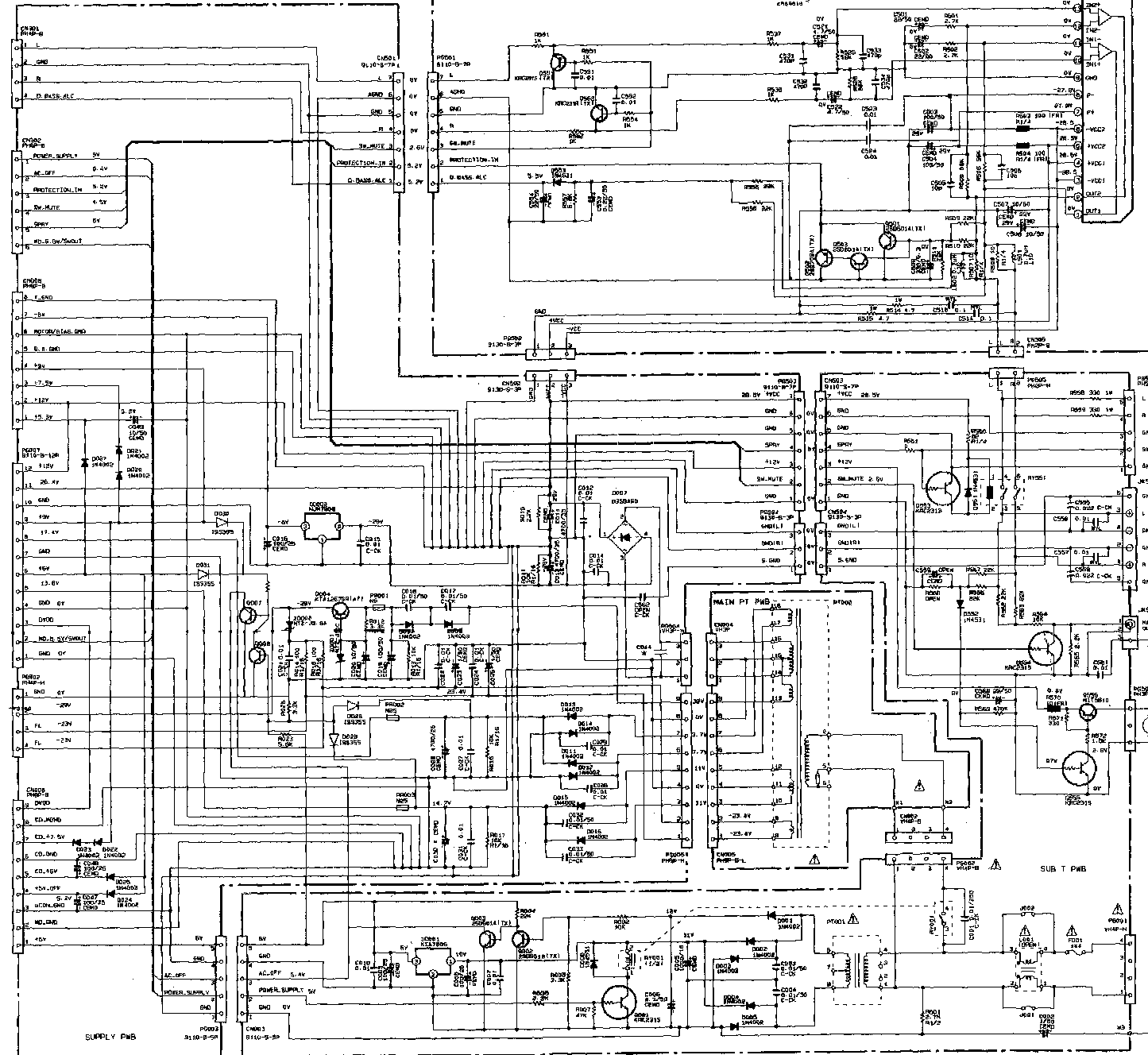
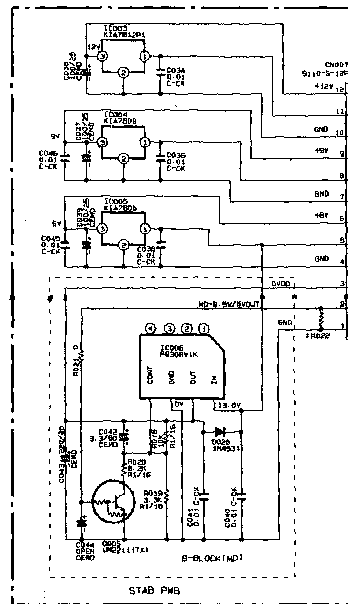
HITACHI

MAIN PWB ASSY UNIT TABLE OF DIFFERENCE

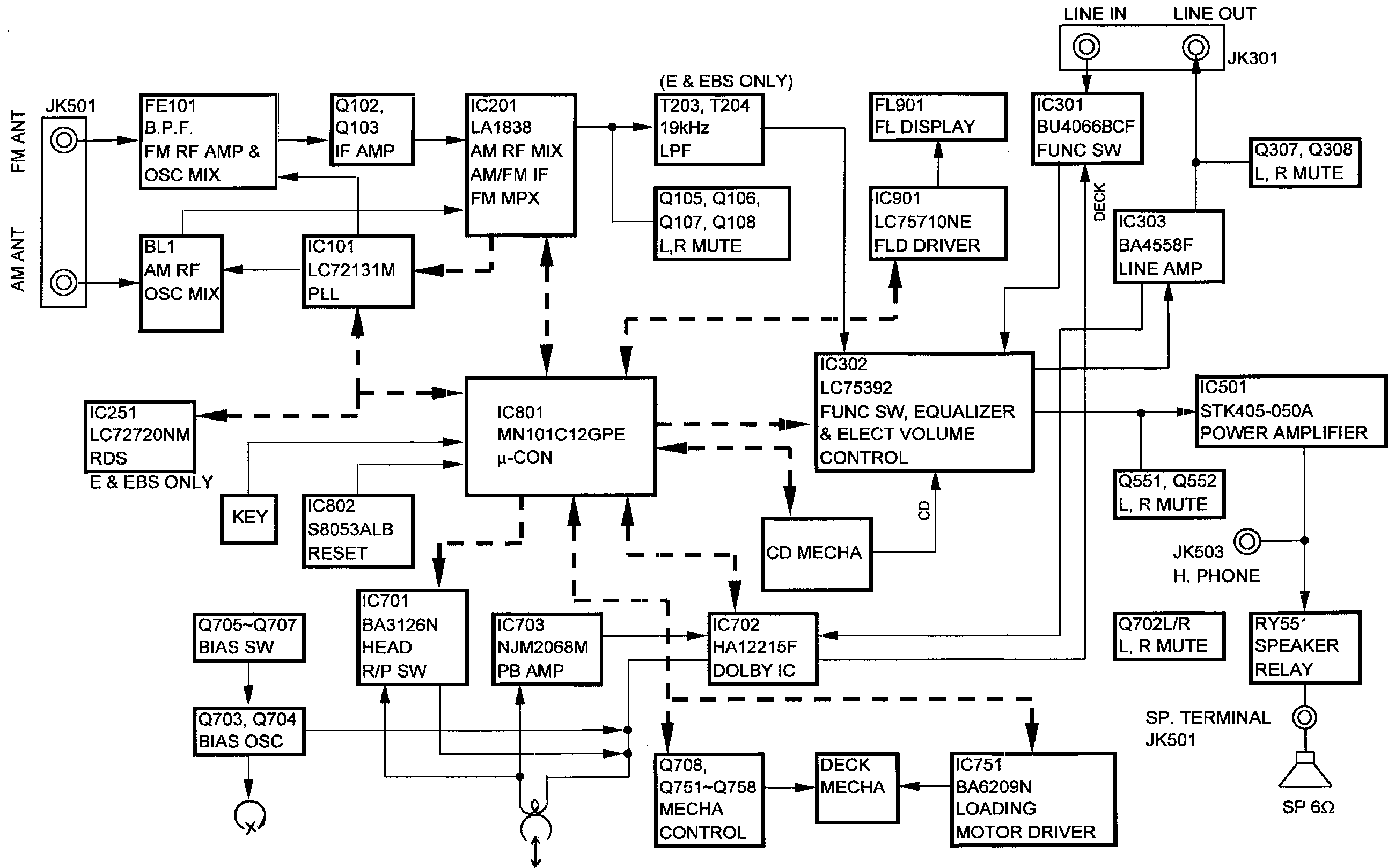
(1) 8K-MS/W7 COMMON												
	DT121	CF102	FE101	TR04	J04/20	R201	CR04	CR05	W-BLOCK	R004	R005	R001
UC	8FE10-7 M-0	8FE10-7 M-0	8FE10-7 M-0	X	X	X	0.047	3300	0	47K	47K	0
E.T. (MS)	8FE10-7 M-0	8FE10-7 M-0	8FE10-7 M-0	X	X	X	0.033	3300	0	47K	47K	X
M	8FE10-7 M-0	8FE10-7 M-0	8FE10-7 M-0	X	X	X	0.021	3300	X	47K	47K	X
MUM	8FE10-7 M-0	8FE10-7 M-0	8FE10-7 M-0	X	X	X	0.033	3300	X	47K	47K	X
J	8FE10-7 M-0	8FE10-7 M-0	8FE10-7 M-0	X	X	X	0.033	3300	X	47K	47K	X
NOTE	8449-107H		T. PAK		SPKAL L. P. F.				MS	GROUP DEL.	MS DEL.	

(2) MODEL

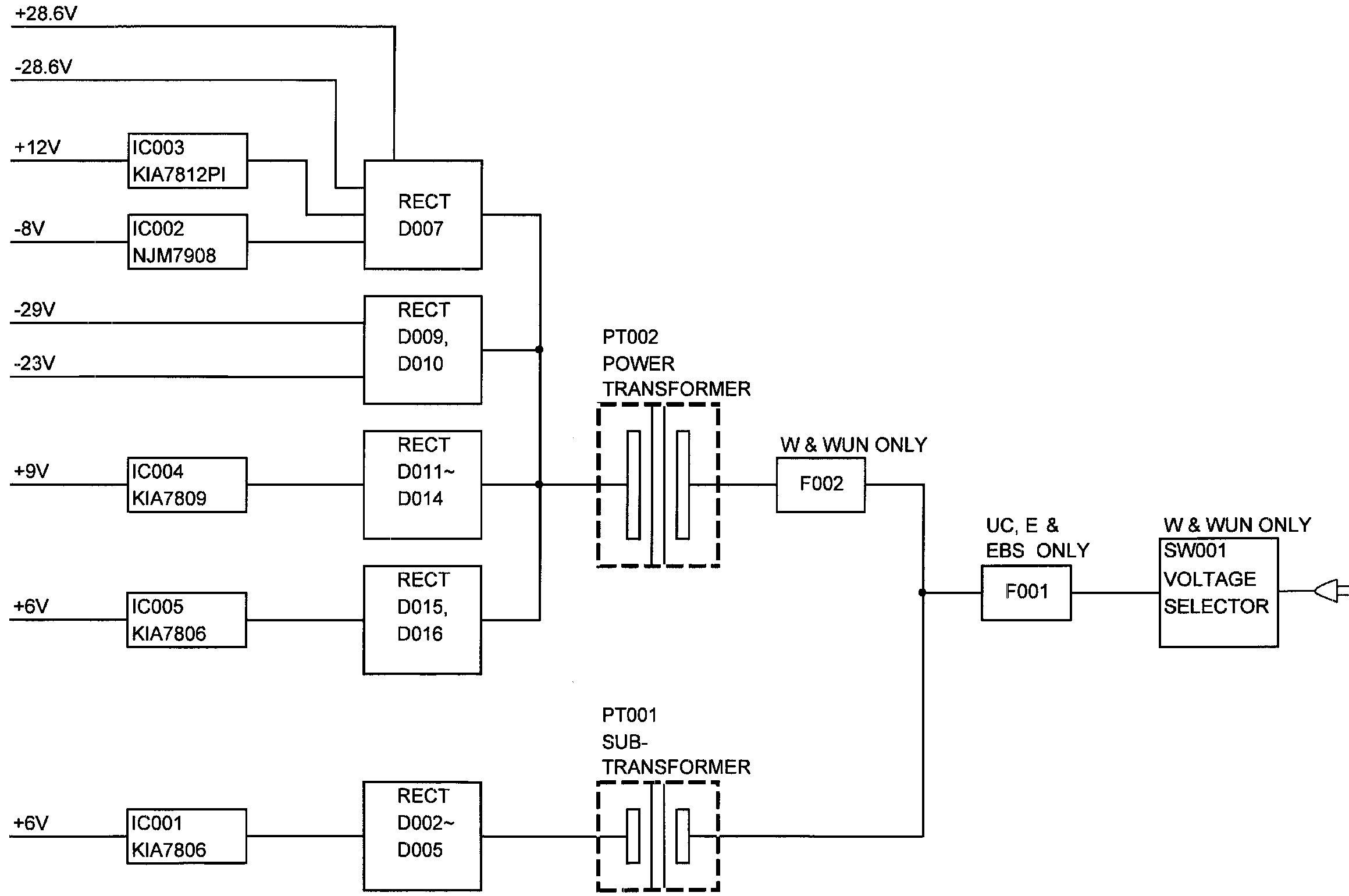
	DT121	CF102	J04/20	R201	CR04	CR05	W-BLOCK	R004	R005	R001	MS	MS DEL.
8K-MS	X	X	X	X	X	X	X	X	X	X	X	X
8K-W7	X	X	X	X	X	X	X	X	X	X	X	X
8K-M	X	X	X	X	X	X	X	X	X	X	X	X
8K-MUM	X	X	X	X	X	X	X	X	X	X	X	X
8K-J	X	X	X	X	X	X	X	X	X	X	X	X



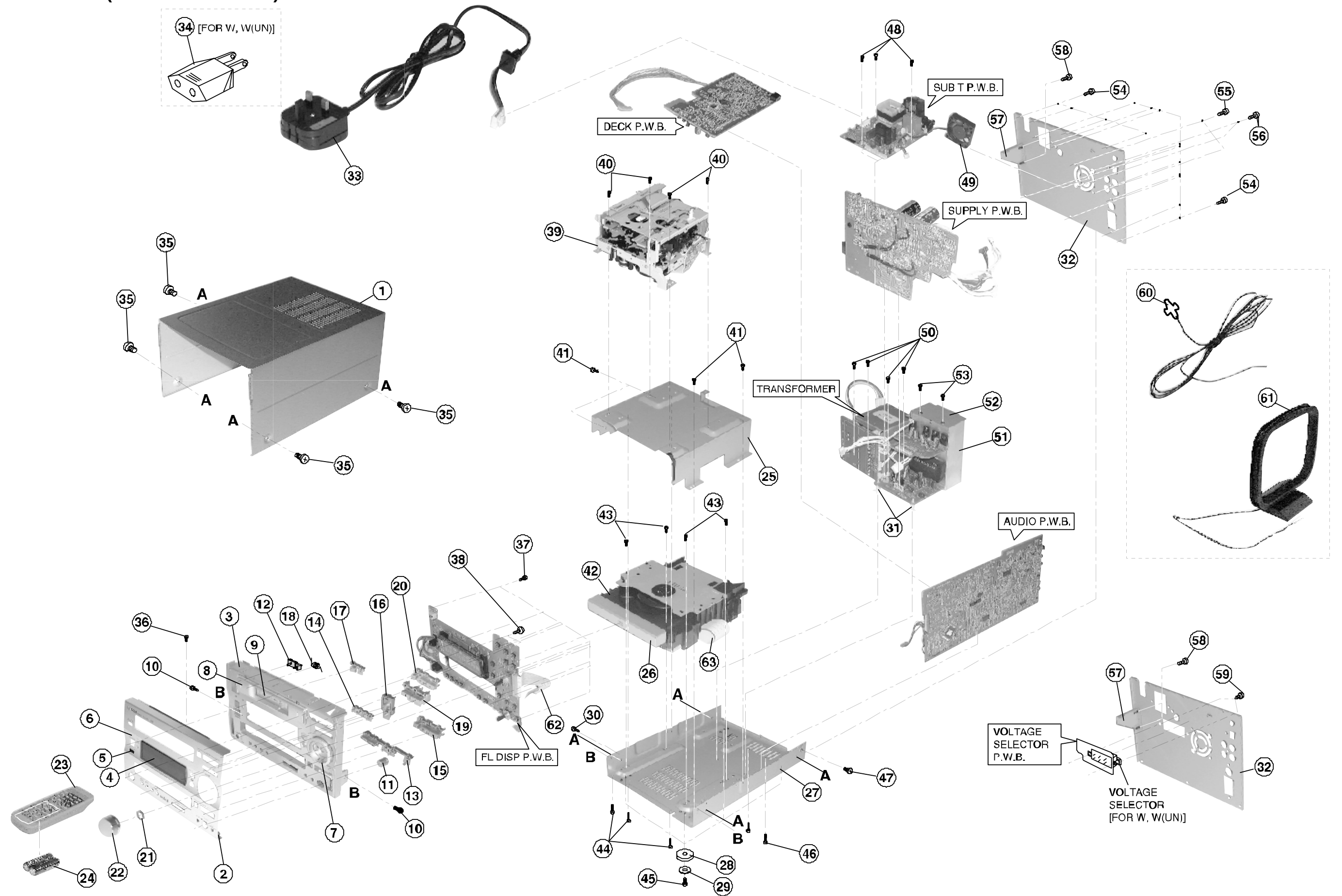
Block Diagram



Block Diagram (Power)

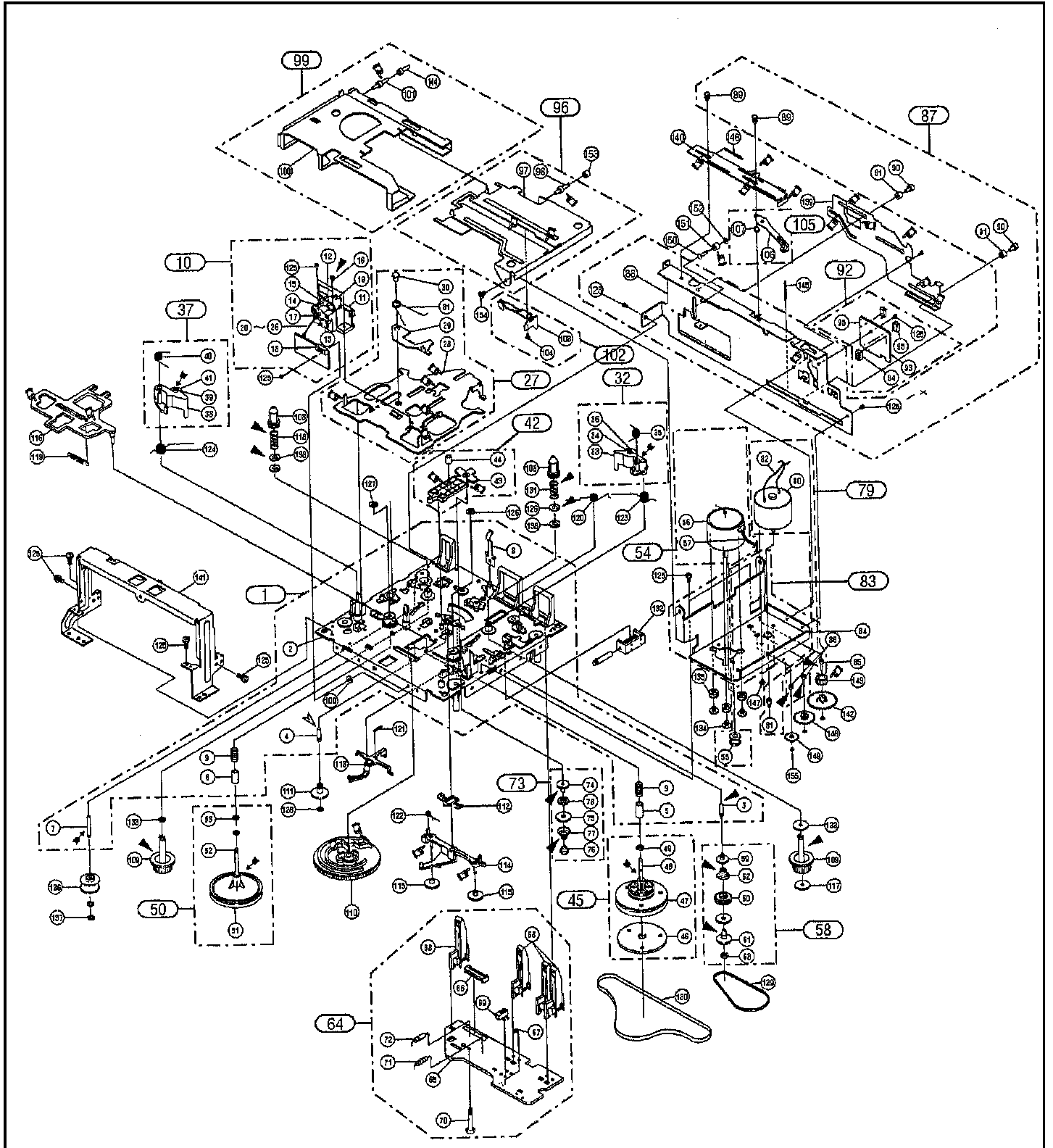


Exploded View (Cabinet Chassis)



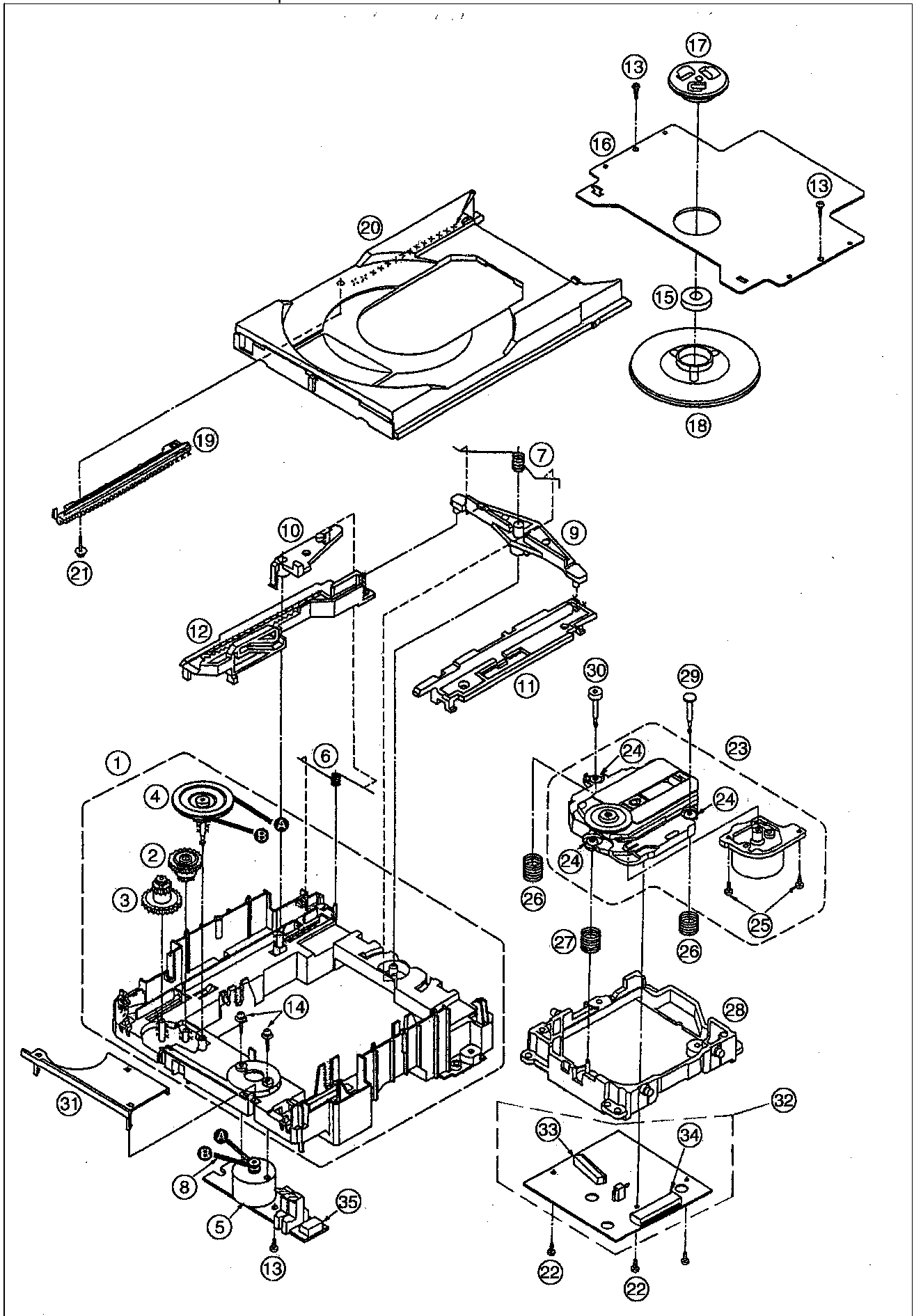
Exploded View (Cassette Chassis)

- Nos. are reference Nos. of parts list



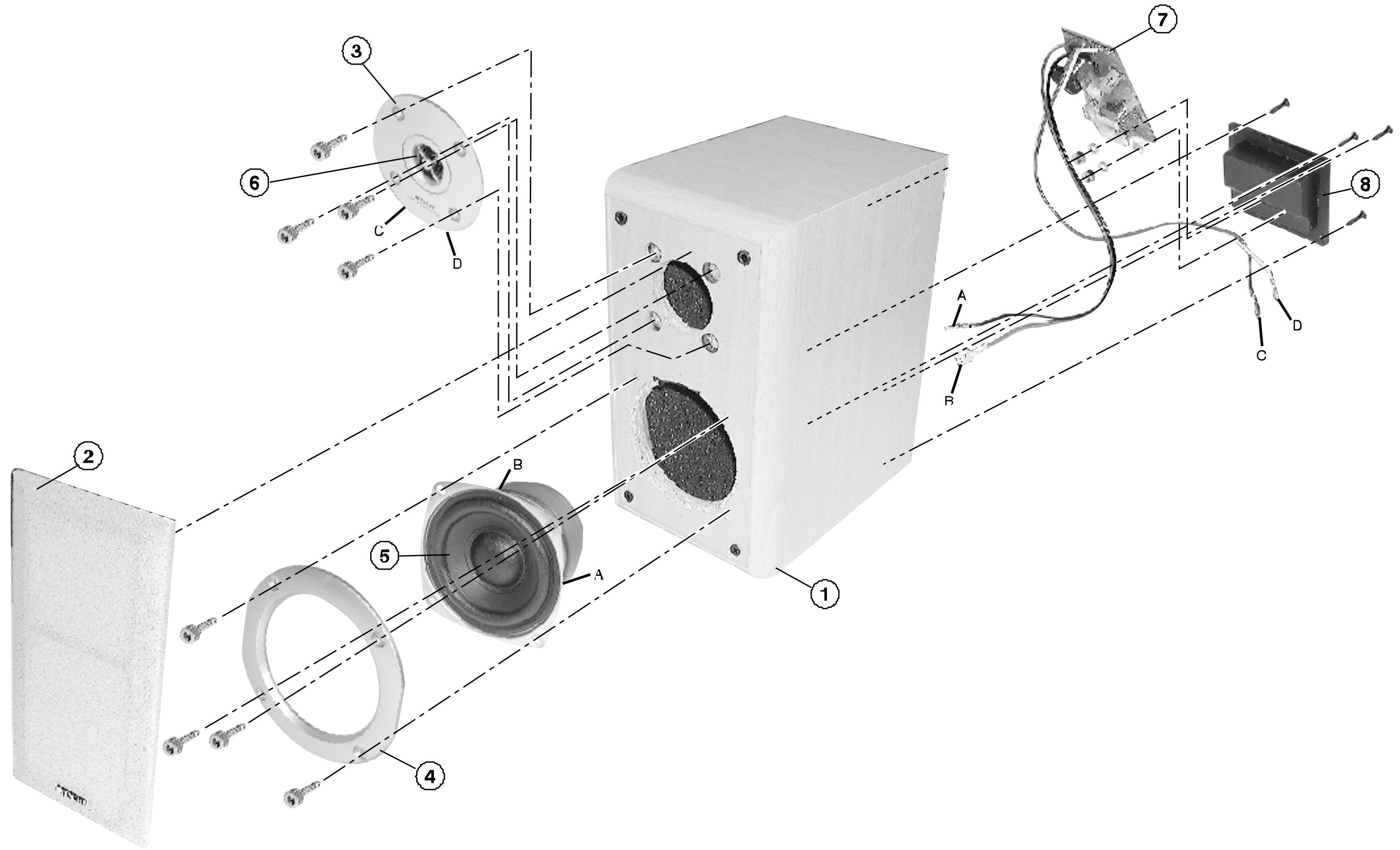
Exploded View (CD Mecha Chassis)

- Nos. are reference Nos. of parts list




Exploded View (Speaker System HS-M7)

- Nos. are reference Nos. of parts list



Replacement Parts List

PRODUCT SAFETY NOTE: Components marked with a  have special characteristics important to safety. Before replacing any of these components, read carefully, the Service Manual.

ABBREVIATIONS	Capacitors	CC: Cylindrical ceramic CD: Ceramic disk PF: Polyester film EL: Electrolytic PP: Polypropylene
	Resistors	CF: Carbon film CC: Carbon composition MF: Metal oxide film RV: Variable resistor FR: Fuse Resister
	Semiconductor	TR: Transistor DI: Diode ZD: Zener diode VA: Varistor TH: Thermistor IC: IC

Symbol No.	Description	Part No.	Symbol No.	Description	Part No.
C001	CQ103M251MHS	AN00131S	C030	3300u/16V(RE2)	AL00479Q
C002	CE04W1H1R0MB(SSL)	0800003Y	C031	CK73MF1H103ZR	0893239R
C003	CK73MF1H103ZR	0893239R	C032	CK73MF1H103ZR	0893239R
C004	CK73MF1H103ZR	0893239R	C033	CK73MF1H103ZR	0893239R
C005	CE04W1C102MF	0800082F	C034	CK73MF1H103ZR	0893239R
C006	CE04W1H4R7MB(SSL)	0800012Y	C035	CE04W1E101MB(SSL)	0800051Y
C007	CK73MF1H103ZR	0893239R	C036	CK73MF1H103ZR	0893239R
C008	CE04W1E101MB(SSL)	0800051Y	C037	CE04W1E101MB(SSL)	0800051Y
C009	CE04W1E101MB(SSL)	0800051Y	C038	CK73MF1H103ZR	0893239R
C010	CK73MF1H103ZR	0893239R	C039	CE04W1E101MB(SSL)	0800051Y
C011	4700u/35V(RE3)	AL00478Q	C045	CK73MF1H103ZR	0893239R
C012	CK73MF1H103ZR	0893239R	C046	CK73MF1H103ZR	0893239R
C013	4700u/35V(RE3)	AL00478Q	C047	CE04W1E101MB(SSL)	0800051Y
C014	CK73MF1H103ZR	0893239R	C048	CE04W1E101MB(SSL)	0800051Y
C015	CK73MF1H103ZR	0893239R	C049	CE04W1H100MB(SSL)	0800018Y
C016	CE04W1E101MB(SSL)	0800051Y	C101	CQ92M1H103KB(AMZ)	0880009R
C017	CK73MF1H103ZR	0893239R	C102	CE04W1E470MB(SSL)	0800042Y
C018	CK73MF1H103ZR	0893239R	C103	CC73MSL1H220JR	0893153R
C019	CE04W1H101MB(SSL)	0800053Y	C104	CK14F1H473ZB(050)	H240067
C020	CE04W1H100MB(SSL)	0800018Y	C105	CK73MSL1H101JR	0893162R
C021	CK73MF1H103ZR	0893239R	C106	CK73MF1H103ZR	0893239R
C022	CK73MF1H103ZR	0893239R	C107	CK73MF1H223ZR	0893242R
C023	CE04W1H1R0MB(SSL)	0800003Y	C108	CE04W1E221MB(SSL)	0800059Y
C024	CK73MF1H103ZR	0893239R	C109	CE04W1H0R47BP(SMEBP)	0284621R
C025	CE04W1H1R0MB(SSL)	0800003Y	C111	CK73MF1H103ZR	0893239R
C026	CE04W1E472MB(SME)	0252971Q	C112	CE04W1H1R0MB(SSL)	0800003Y
C027	CK73MF1H103ZR	0893239R	C113	CK73MF1H103ZR	0893239R
C028	CK73MF1H103ZR	0893239R	C114	CK73MSL1H101JR	0893162R
C029	CK73MF1H103ZR	0893239R	C115	CK73MSL1H101JR	0893162R

Symbol No.	Description	Part No.
C116	CC73MCH1H270JR	0893118R
C117	CC73MCH1H270JR	0893118R
C118	CK14F1H473ZB	H240067
C119	CK14Y1C103MB(050)	0890043M
C120	CK14Y1C103MB(050)	0890043M
C121	CK73MB1C223KR	0893184R
C122	CK73MB1C104KR	0893179R
C129	CK73MF1H103ZR	0893239R
C151	CK73MF1E104R	0893232R
C152	CK73MCH1H090CR	0893112R
C201	CE04W1E470MB(SSL)	0800042Y
C202	CK73MF1H473ZR	0893246R
C203	CK73MF1H473ZR	8093246R
C204	CK73MF1H473ZR	8093246R
C205	CK73MF1H103ZR	0893239R
C206	CE04W1H1R0MB(SRA)	0800109R
C207	CK73MF1H103ZR	0893239R
C208	CE04W1H100MB(SSL)	0800018Y
C209	CK73MF1H473ZR	0893246R
C210	CE04W1H1R0MB(SSL)	0800003Y
C211	CE04W1H100MB(SSL)	0800018Y
C212	CE04W1H100MB(SSL)	0800018Y
C213	CE04W1H1R0MB(SSL)	0800003Y
C214	CE04W1HR47MB(SSL)	0800001Y
C215	CE04W1H1R0MB(SRA)	0800109R
C216	CE04W1F330MB(SSL)	0800034Y
C217	CK73MF1H473ZR	0893246R
C218	CK73MF1H473ZR	0893246R
C219	CE04W1H3R3MB(SSL)	0800007Y
C220	CE04W1H220MB(SSL)	0800026Y
C221	CK14B1H101KB(050)	0890022M
C221	CK14B1H391KB(050)	0890029M
C222	CK73MF1H473ZR	0893246R
C223	CE04W1H100MB(SSL)	0800018Y
C224	CQ92M1H333KB(AMZ)	0880013R
C224	CQ92M1H473KB(AMZ)	0800014R
C225	CQ92M1H333KB(AMZ)	0880013R
C225	CQ92M1H473KB(AMZ)	0800014R
C226	CK73MB1H272BR	0893214R
C227	CK73MB1H272BR	0893214R
C228	CE04W1H2R2MB(SSL)	0800005Y
C229	CE04W1H2R2MB(SSL)	0800005Y
C230	CE04W1H1R0MB(SSL)	0800003Y
C231	CE04W1H1R0MB(SSL)	0800003Y
C232	CK73MF1H103ZR	0893239R
C233	CK73MSL1H221JR	0893166R
C251	CC73MCH1H220JR	0893117R
C252	CC73MCH1H220JR	0893117R
C253	CK73MF1H103ZR	0893239R

Symbol No.	Description	Part No.
C254	CE04W1E470MB(SSL)	0800042Y
C255	CK73MSL1H561JR	0893172R
C256	CE04W1E470MB(SSL)	0800042Y
C257	CK73MF1H103ZR	0893239R
C258	CE04W1H100MB(SSL)	0800018Y
C259	CC73MSL1H331JR	0893168R
C300	CE04W1H100MB(SSL)	0800018Y
C302	CE04W1E470MB	0800042Y
C305	CC73MSL1H821JR	0893174R
C306	CC73MSL1H821JR	0893174R
C307	CC73MB1C223KR	0893184R
C308	CC73MB1C223KR	0893184R
C309	CC73MB1C223KR	0893184R
C310	CC73MB1C223KR	0893184R
C311	CC73MB1C823KR	0893178R
C312	CC73MB1C823KR	0893178R
C313	CC73MB1H392KR	0893216R
C314	CC73MB1H392KR	0893216R
C315	CK73MSL1H271JR	0893167R
C316	CK73MSL1H271JR	0893167R
C317	CK73MB1H222JR	0893213R
C318	CK73MB1H222JR	0893213R
C319	CK73MB1H822KR	0893221R
C320	CK73MB1H822KR	0893221R
C321	CK73MSL1H560JR	0893158R
C322	CK73MSL1H560JR	0893158R
C323	CE04W1H1R0MB(SRA)	0800109R
C324	CE04W1H1R0MB(SRA)	0800109R
C325	CE04W1H2R2MB(SRA)	0800112R
C326	CE04W1H2R2MB(SRA)	0800112R
C329	CE04W1HR22MB(SRA)	0800103R
C330	CE04W1HR22MB(SRA)	0800103R
C333	CE04W1H1R0MB(SSL)	0800003Y
C334	CE04W1H1R0MB(SRA)	0800109R
C351	CC73MCH220JR	0893117R
C352	CC73MCH220JR	0893117R
C353	CE04W1H1R0MB(SSL)	0800003Y
C354	CE04W1H1R0MB(SSL)	0800003Y
C355	CE04W1H1R0MB(SSL)	0800003Y
C356	CE04W1H1R0MB(SSL)	0800003Y
C357	CE04W1H100MB(SSL)	0800018Y
C358	CE04W1H100MB(SSL)	0800018Y
C359	CK73MSL1H181JR	0893165R
C360	CK73MSL1H181JR	0893165R
C361	CK73MSL1H820JR	0893161R
C362	CK73MSL1H820JR	0893161R
C363	CE04W1H220MB(SSL)	0800026Y
C364	CE04W1H220MB(SSL)	0800026Y
C365	CE04W1H100MB(SSL)	0800018Y

Symbol No.	Description	Part No.
C366	CE04W1H100MB(SSL)	0800018Y
C367	CK73MSL1H221JR	0893166R
C368	CK73MSL1H221JR	0893166R
C369	CK73MF1H103ZR	0893239R
C372	CE04W1H1R0MB(SSL)	0800003Y
C373	CE04W1H1R0MB(SSL)	0800003Y
C501	CE04W1H220MB(SSL)	0800026Y
C502	CE04W1H220MB(SSL)	0800026Y
C503	CE04W1H101MB(SSL)	0800053Y
C504	CE04W1H101MB(SSL)	0800053Y
C505	CC73M1HSL100CR	0893148R
C506	CC73M1HSL100CR	0893148R
C507	CE04W1H100MB(SSL)	0800018Y
C508	CE04W1H100MB(SSL)	0800018Y
C509	CE04W0J331MB(SME)	0800064R
C510	CQ92M1H104KB(AMZ)	0880016R
C511	CQ92M1H104KB(AMZ)	0880016R
C512	CK73MB102KR	0893208R
C513	CK73MB102KR	0893208R
C514	CK73MF1H103ZR	0893239R
C521	CE04W1H4R7MB(SSL)	0800012Y
C522	CE04W1H4R7MB(SSL)	0800012Y
C523	CK14Y1Z103MB(050)	H240067
C524	CK14Y1Z103MB(050)	H240067
C533	CC73M1HSL471JR	0893171R
C534	CC73M1HSL471JR	0893171R
C551	CK73MF1H103ZR	0893239R
C552	CK73MF1H103ZR	0893239R
C553	CE04W1HR22MB(SME)	0253942R
C554	CE04W1H220MB(SSL)	0800026Y
C555	CK73MF1H223ZR	0893242R
C556	CQ92M1H103KB(AMZ)	0880009R
C557	CQ92M1H103KB(AMZ)	0880009R
C558	CK73MF1H223ZR	0893242R
C560	CE04W1H220MB(SSL)	0800026Y
C561	CK73MF1H103ZR	0893239R
C601	CE04W1H100MB(SSL)	0800018Y
C602	CE04W1H100MB(SSL)	0800018Y
C603	CK73MF1H103ZR	0893239R
C605	CE04W1H1R0MB(SSL)	0800003Y
C606	CE04W1H1R0MB(SSL)	0800003Y
C607	CK73MB101KR	0893162R
C608	CK73MB101KR	0893162R
C701L	CC73MSL1H681JR	0893173R
C701R	CC73MSL1H681JR	0893173R
C702	CE04W1H1R0MB(SSL)	0800003Y
C703L	CK73MB1H472KR	0893217R
C703R	CK73MB1H472KR	0893217R
C704L	CE04W1H0R1MB(SRA)	0800101R

Symbol No.	Description	Part No.
C704R	CE04W1H0R1MB(SRA)	0800101R
C705L	CK73MB1C104KR	0893179R
C705R	CK73MB1C104KR	0893179R
C706L	CE04W1H2R2MB(SSL)	0800005Y
C706R	CE04W1H2R2MB(SSL)	0800005Y
C707L	CK73MSL1H681JR	0893173R
C707R	CK73MSL1H681JR	0893173R
C709L	CE04W1H0R47MB(SSL)	0800001Y
C709R	CE04W1H0R47MB(SSL)	0800001Y
C710L	CK73MB1C104KR	0893179R
C710R	CK73MB1C104KR	0893179R
C711	CE04W1H220MB	0800026Y
C712	CE04W1H0R33MB	0253943R
C714	CK73MF1H102ZR	0893233R
C715	CE04W1H220MB(SSL)	0800026Y
C717	CE04W1H100MB(SSL)	0800018Y
C718L	CE04W1H100MB(SSL)	0800018Y
C718R	CE04W1H100MB(SSL)	0800018Y
C719L	CK73MB1H222KR	0893213R
C719R	CK73MB1H222KR	0893213R
C720L	CE04W1H2R2MB(SSL)	0800005Y
C720R	CE04W1H2R2MB(SSL)	0800005Y
C721L	CC73MF1H221JR	0893166R
C721R	CC73MF1H221JR	0893166R
C722	CQ92E2A682JB	H279332
C723	CQ92M1H123KEBK	H275031K
C724	CE04W1H100MB(SSL)	0800018Y
C725	CK73MF1H103KR	0893239R
C726	CK73MF1H103KR	0893239R
C727	CK73MF1H103KR	0893239R
C728	CE04W1E221MB(SSL)	0800059Y
C729	CE04W1H100MB(SSL)	0800018Y
C730	CE04W1H100MB(SSL)	0800018Y
C731L	CK73MB1H562KR	0893218R
C731R	CK73MB1H562KR	0893218R
C732L	CE04W1H220MB(SSL)	0800026Y
C732R	CE04W1H220MB(SSL)	0800026Y
C733	CE04W1E470MB(SSL)	0800042Y
C734L	CC73MSL1H101JR	0893162R
C734R	CC73MSL1H101JR	0893162R
C751	CE04W1H1R0MB(SSL)	0800003Y
C752	CE04W1E101MB(SSL)	0800051Y
C753	CQ92M1H104KB(AMZ)	0880016R
C754	CK73MF1H223ZR	0893242R
C757	CK14Y1C103MB(050)	0890043M
C758	CK73MF1H103ZR	0893239R
C759	CE04W1H4R7MB(SRA)	0800119R
C791L	CK14Y1H102MB (050)	0890035M
C791R	CK14Y1H102MB (050)	0890035M

Symbol No.	Description	Part No.
C801	CE04W1E101MB(SSL)	0800051Y
C802	CK73MF1H103ZR	0893239R
C804	CK73MF1E104ZR	0893232R
C805	CC73MCH1H200JR	0225037R
C806	CC73MCH1H200JR	0225037R
C808	EECS5R5V-1R0F (GOLD CAP)	AP00051
C809	CK73MF1H103ZR	0893239R
C810	CK73MB102KR	0893208R
C901	CK73MF1H103ZR	0893239R
C902	CK73MF1H103ZR	0893239R
C903	CK73MF1H103ZR	0893239R
C904	CE04W1E470MB(SSL)	0800042Y
C905	CK73MSL1H300JR	0225741R
C906	CK73MF1H103ZR	0893239R
C907	CE04W1E470MB(SSL)	0800042Y
C908	CK73MF1H103ZR	0893239R
R001	RC14GF2H275KBF0	H139006
R002	RMC73M-1F103JR	0790051R
R003	RMC73M-1F332JR	0790044R
R004	RMC73M-1F223JR	0790055R
R006	RMC73M-1F222JR	0790042R
R007	RMC73M-1F473JR	0790059R
R010	RE-152J0001NT	AT01114M
R011	RD14S1J103JB	0700054M
R012	RD14S2H332JB	H113371
R013	RD14S1J103JB	0700054M
R014	RD14S1J101JB	0700027M
R015	RD14S1J101JB	0700027M
R016	RD14S1J103JB	0700054M
R017	RD14S1J103JB	0700054M
R022	RMC73M-1F473JR	0790059R
R023	RD14S1J222JB	0700045M
R024	RMC73-1F223JR	0790055R
R025	RMC73-1F332JR	0790044R
R101	RMC73M-1F102JR	0790037R
R102	RD14S1E121JB	H129563
R103	RDF25S 560J (56, 1/4W)	AT01237T
R104	RMC73M-1F562JR	0790047R
R105	RMC73M-1F222JR	0790042R
R106	RMC73M-1F102JR	0790037R
R107	RMC73M-1F221JR	0790028R
R108	RMC73M-1F103JR	0790051R
R109	RMC73M-1F222JR	0790042R
R110	RMC73M-1F391JR	0790032R
R111	RMC73M-1F331JR	0790031R
R112	RMC73M-1F331JR	0790031R
R113	RMC73M-1F221JR	0790028R
R114	RMC73M-1F272JR	0790043R
R115	RMC73M-1F331JR	0790031R

Symbol No.	Description	Part No.
R116	RMC73M-1F102JR	0790037R
R117	RMC73M-1F101JR	0790024R
R151	RMC73M-1F332JR	0790044R
R152	RMC73M-1F104JR	0790064R
R153	RMC73M-1F473JR	0790059R
R201	RMC73M-1F682JR	0790048R
R202	RMC73M-1F103JR	0790051R
R203	RMC73M-1F103JR	0790051R
R204	RMC73M-1F271JR	0790029R
R205	RMC73M-1F472JR	0790046R
R206	RMC73M-1F510JR	0196035R
R207	RMC73M-1F472JR	0790046R
R208	RMC73M-1F103JR	0790051R
R209	RMC73M-1F302JR	0196079R
R210	RMC73M-1F472JR	0790046R
R211	RMC73M-1F472JR	0790046R
R212	RMC73M-1F392JR	0790045R
R213	RMC73M-1F822JR	0790049R
R214	RMC73M-1F332JR	0790044R
R215	RMC73M-1F332JR	0790044R
R216	RMC73M-1F153JR	0790053R
R217	RMC73M-1F153JR	0790053R
R218	RMC73M-1F391JR	0790032R
R219	RMC73M-1F391JR	0790032R
R220	RMC73M-1F682JR	0790048R
R221	RMC73M-1F682JR	0790048R
R301	RMC73M-1F103JR	0790051R
R302	RMC73M-1F103JR	0790051R
R303	RMC73M-1F682JR	0790048R
R304	RMC73M-1F682JR	0790048R
R305	RMC73M-1F222JR	0790042R
R306	RMC73M-1F222JR	0790042R
R307	RMC73M-1F562JR	0790047R
R308	RMC73M-1F562JR	0790047R
R309	RMC73M-1F561JR	0790034R
R310	RMC73M-1F561JR	0790034R
R311	RMC73M-1F392JR	0790045R
R312	RMC73M-1F392JR	0790045R
R313	RMC73M-1F822JR	0790049R
R314	RMC73M-1F822JR	0790049R
R315	RMC73M-1F153JR	0790053R
R316	RMC73M-1F153JR	0790053R
R317	RMC73M-1F392JR	0790045R
R318	RMC73M-1F392JR	0790045R
R319	RMC73M-1F332JR	0790044R
R320	RMC73M-1F332JR	0790044R
R321	RMC73M-1F333JR	0790057R
R322	RMC73M-1F333JR	0790057R
R323	RMC73M-1F153JR	0790053R

Symbol No.	Description	Part No.
R324	RMC73M-1F153JR	0790053R
R325	RMC73M-1F393JR	0790058R
R326	RMC73M-1F393JR	0790058R
R327	RMC73M-1F224JR	0790068R
R328	RMC73M-1F224JR	0790068R
R329	RMC73M-1F104JR	0790064R
R330	RMC73M-1F104JR	0790064R
R331	RMC73M-1F271JR	0790029R
R332	RMC73M-1F271JR	0790029R
R333	RMC73M-1F472JR	0790046R
R337	RMC73M-1F332JR	0790044R
R338	RMC73M-1F332JR	0790044R
R339	RMC73M-1F473JR	0790059R
R340	RMC73M-1F333JR	0790057R
R341	RMC73M-1F333JR	0790057R
R351	RMC73M-1F472JR	0790046R
R352	RMC73M-1F472JR	0790046R
R353	RMC73M-1F104JR	0790064R
R354	RMC73M-1F104JR	0790064R
R357	RMC73M-1F104JR	0790064R
R358	RMC73M-1F104JR	0790064R
R359	RMC73M-1F103JR	0790051R
R360	RMC73M-1F103JR	0790051R
R361	RMC73M-1F392JR	0790045R
R362	RMC73M-1F392JR	0790045R
R363	RMC73M-1F102JR	0790037R
R364	RMC73M-1F102JR	0790037R
R365	RMC73M-1F104JR	0790064R
R366	RMC73M-1F104JR	0790064R
R367	RMC73M-1F472JR	0790046R
R368	RMC73M-1F472JR	0790046R
R369	RMC73M-1F153JR	0790053R
R370	RMC73M-1F153JR	0790053R
R371	RMC73M-1F222JR	0790042R
R372	RMC73M-1F473JR	0790059R
R373	RMC73M-1F102JR	0790037R
R374	RD14S1J102JB	0700041M
R501	RMC73M-1F202JR	0196075R
R502	RMC73M-1F202JR	0196075R
R503	RN14B2E101JB-FR	AT01171T
R504	RN14B2E101JB-FR	AT01171T
R505	RMC73M-1F563JR	0790061R
R506	RMC73M-1F563JR	0790061R
R507	RDF25S100JR	AT01217T
R508	RDF25S100JR	AT01217T
R509	RMC73M-1F223JR	0790055R
R510	RMC73M-1F223JR	0790055R
R511	RMC73M-1F223JR	0790055R
R514	RE-4R7J0001NT	AT01047R

Symbol No.	Description	Part No.
R515	RE-4R7J0001NT	AT01047R
R525	RMC73M-1F563JR	0790061R
R526	RMC73M-1F563JR	0790061R
R537	RMC73M-1F392JR	0790045R
R538	RMC73M-1F392JR	0790045R
R539	RMC73M-1F472JR	0790046R
R540	RMC73M-1F472JR	0790046R
R551	RMC73M-1F102JR	0790037R
R552	RMC73M-1F102JR	0790037R
R553	RMC73M-1F000JR	0790001R
R554	RMC73M-1F000JR	0790001R
R555	RMC73M-1F223JR	0790055R
R556	RMC73M-1F223JR	0790055R
R557	RMC73M-1F682JR	0790048R
R558	RE-331J0001NT	AT01096R
R559	RE-331J0001NT	AT01096R
R560	RES CARBON FILM 1/4W 82-J	AT01242T
R561	RMC73M-1F223JR	0790055R
R562	RMC73M-1F223JR	0790055R
R563	RMC73M-1F223JR	0790055R
R564	RMC73M-1F103JR	0790051R
R565	RMC73M-1F222JR	0790042R
R566	RMC73M-1F223JR	0790055R
R567	RMC73M-1F223JR	0790055R
R569	RMC73M-1F474JR	0790073R
R570	RD45S2E100JNB-FR	AT01176T
R571	RMC73M-1F331JR	0790031R
R572	RMC73M-1F392JR	0790045R
R601	RMC73M-1F103JR	0790051R
R602	RMC73M-1F222JR	0790042R
R605	RMC73M-1F472JR	0790046R
R606	RMC73M-1F472JR	0790046R
R607	RMC73M-1F473JR	0790059R
R608	RMC73M-1F473JR	0790059R
R609	RMC73M-1F102JR	0790037R
R610	RMC73M-1F102JR	0790037R
R611	RMC73M-1F000JR	0790001R
R612	RMC73M-1F000JR	0790001R
R613	RMC73M-1F000JR	0790001R
R614	RMC73M-1F000JR	0790001R
R701L	RMC73M-1F124JR	0790065R
R701R	RMC73M-1F124JR	0790065R
R702	RMC73M-1F122JR	0790038R
R703	RMC73M-1F103JR	0790051R
R704L	RMC73M-1F222JR	0790042R
R704R	RMC73M-1F222JR	0790042R
R705	RN1/6C333F-52MM	0174604M
R706	RMC73M-1F223JR	0790055R
R707L	RMC73M-1F153JR	0790053R

Symbol No.	Description	Part No.
R707R	RMC73M-1F153JR	0790053R
R708L	RMC73M-1F153JR	0790053R
R708R	RMC73M-1F153JR	0790053R
R709	RMC73M-1F473JR	0790059R
R716	RMC73M-1F105JR	0790077R
R717	RMC73M-1F334JR	0790071R
R718	RMC73M-1F473JR	0790059R
R719	RMC73M-1F222JR	0790042R
R720	RMC73M-1F222JR	0790042R
R722	RMC73M-1F242JR	0196077R
R723	RMC73M-1F271JR	0790029R
R724	RMC73M-1F122JR	0790038R
R725	RMC73M-1F223JR	0790055R
R727	RMC73M-1F223JR	0790055R
R728L	RMC73M-1F223JR	0790055R
R728R	RMC73M-1F223JR	0790055R
R729L	RMC73M-1F564JR	0790074R
R729R	RMC73M-1F564JR	0790074R
R730L	RMC73M-1F222JR	0790042R
R730R	RMC73M-1F222JR	0790042R
R731L	RMC73M-1F163JR	0196098R
R731R	RMC73M-1F163JR	0196098R
R732	RMC73M-1F103JR	0790051R
R733L	RMC73M-1F103JR	0790051R
R733R	RMC73M-1F103JR	0790051R
R734	RMC73M-1F123JR	0790052R
R735	RMC73M-1F123JR	0790052R
R736L	RMC73M-1F223JR	0790055R
R736R	RMC73M-1F223JR	0790055R
R737L	RMC73M-1F223JR	0790055R
R737R	RMC73M-1F223JR	0790055R
R738L	RMC73M-1F271JR	0790029R
R738R	RMC73M-1F271JR	0790029R
R739	AXIL RESISTOR 10K	0790054M
R740	RMC73M-1F102JR	0790037R
R751	RDF25S102JR	AT01271R
R752	RDF25S102JR	AT01271R
R753	RDF25S102JR	AT01271R
R754	RDF25S102JR	AT01271R
R755	RDF25S100JR	AT01217R
R756	RMC73M-1F102JR	0790037R
R757	RMC73M-1F472JR	0790046R
R758	RMC73M-1F473JR	0790059R
R761	RMC73M-1F223JR	0790055R
R762	RMC73M-1F562JR	0790047R
R763	RMC73M-1F682JR	0790048R
R801	RMC73M-1F000JR	0790001R
R802	RMC73M-1F102JR	0790037R
R805	RMC73M-1F104JR	0790064R

Symbol No.	Description	Part No.
R806	RMC73M-1F103JR	0790051R
R807	RMC73M-1F473JR	0790059R
R808	RMC73M-1F473JR [FOR UC]	0790059R
R808	RMC73M-1F822JR [FOR E, E(BS)]	0790049R
R808	RMC73M-1F223JR [FOR W]	0790055R
R808	RMC73M-1F823JR [FOR W(UN)]	0790063R
R809	RMC73M-1F473JR	0790059R
R810	RMC73M-1F473JR	0790059R
R811	RMC73M-1F473JR	0790059R
R812	RMC73M-1F473JR	0790059R
R813	RD14S1J102JB	0700041M
R814	RD14S1J102JB	0700041M
R815	RD14S1J102JB	0700041M
R816	RD14S1J102JB	0700041M
R817	RMC73M-1F473JR	0790059R
R818	RMC73M-1F473JR	0790059R
R819	RD14S1J473JB	0700063M
R820	RMC73M-1F473JR	0790059R
R821	RMC73M-1F473JR	0790059R
R822	RMC73M-1F473JR	0790059R
R823	RMC73M-1F473JR	0790059R
R824	RMC73M-1F473JR	0790059R
R825	RMC73M-1F473JR	0790059R
R826	RMC73M-1F473JR	0790059R
R827	RMC73M-1F473JR	0790059R
R828	RMC73M-1F473JR	0790059R
R829	RMC73M-1F101JR	0790024R
R840	RMC73M-1F473JR	0790059R
R841	RMC73M-1F473JR	0790059R
R842	RMC73M-1F473JR	0790059R
R843	RMC73M-1F473JR	0790059R
R844	RMC73M-1F473JR	0790059R
R845	RMC73M-1F473JR	0790059R
R851	RMC73M-1F000JR	0790001R
R852	RMC73M-1F103JR	0790051R
R853	RMC73M-1F473JR	0790059R
R854	RMC73M-1F103JR	0790051R
R855	RMC73M-1F473JR	0790059R
R857	RMC73M-1F473JR	0790059R
R858	RMC73M-1F473JR	0790059R
R859	RMC73M-1F102JR	0790037R
R860	RMC73M-1F102JR	0790037R
R861	RMC73M-1F102JR	0790037R
R862	RMC73M-1F102JR	0790037R
R863	RMC73M-1F473JR	0790059R
R864	RMC73M-1F473JR	0790059R
R865	RMC73M-1F153JR	0790053R
R866	RMC73M-1F154JR	0790066R
R867	RMC73M-1F332JR	0790044R

Symbol No.	Description	Part No.
R901	RMC73M-1F103JR	0790051R
R902	RMC73M-1F103JR	0790051R
R904	RMC73M-1F103JR	0790051R
R905	RMC73M-1F103JR	0790051R
R906	RMC73M-1F101JR	0790024R
R907	RMC73M-1F101JR	0790024R
R908	RMC73M-1F222JR	0790042R
R909	RMC73M-1F821JR	0790036R
R910	RMC73M-1F471JR	0790033R
R911	RMC73M-1F271JR	0790029R
R912	RMC73M-1F181JR	0790027R
R914	RMC73M-1F471JR	0790033R
R915	RMC73M-1F471JR	0790033R
R916	RMC73M-1F000JR	0790001R
R918	RMC73M-1F222JR	0790042R
R919	RMC73M-1F821JR	0790036R
R920	RMC73M-1F471JR	0790033R
R921	RMC73M-1F271JR	0790029R
R922	RMC73M-1F181JR	0790027R
R924	RMC73M-1F821JR	0790036R
R925	RMC73M-1F471JR	0790033R
R926	RMC73M-1F271JR	0790029R
R927	RMC73M-1F181JR	0790027R
R929	RMC73M-1F103JR	0790051R
R930	RMC73M-1F102JR	0790037R
R931	RMC73M-1F102JR	0790037R
R932	RMC73M-1F102JR	0790037R
R933	RD14S2E470JB	H129547
R934	RMC73M-1F331JR	0790031R
R935	RMC73M-1F821JR	0790036R
R936	RMC73M-1F561JR	0790034R
R937	RMC73M-1F331JR	0790031R
R938	RMC73M-1F331JR	0790031R
R939	RMC73M-1F331JR	0790031R
R940	RMC73M-1F103JR	0790051R
R941	RMC73M-1F473JR	0790059R
R942	RMC73M-1F103JR	0790051R
R943	RMC73M-1F473JR	0790059R
R944	RMC73M-1F103JR	0790051R
R945	RMC73M-1F473JR	0790059R
R946	RMC73M-1F473JR	0790059R
R947	RMC73M-1F103JR	0790051R
IC001	IC KIA7806PI	CP02412
IC002	IC NJM7908FA (-8V)	CP03022
IC003	IC KIA7812PI	CP02416
IC004	IC KIA7809PI	CP02414
IC005	IC KIA7806PI	CP02412
IC101	IC LC72131M	CK09831R
IC201	IC LA1838	CP04502

Symbol No.	Description	Part No.
IC251	IC LC72720NM	CK09841R
IC301	IC BU4066BCF-E2	CK01812R
IC302	IC LC75392M	CK32371R
IC303	IC BA4558F-E2	2388306R
IC304	IC BA4558F-E2	2388306R
IC501	IC STK405-050A	CP04522
IC701	IC BA3126N	2020291
IC702	IC HA12215F	CK32401
IC703	IC NJM2068M (T1)	CK02301T
IC751	IC BA6209N	2301701W
IC801	IC MN101C12G	CK32381
IC802	S8053ALB	2005422
IC901	IC LC75710NE	CK32391
Q001	TR KRC231S	CF02331R
Q002	TR 2SC2412KT	2825691R
Q003	TR 2SC2412KT	2825691R
Q004	TR KTA1267GR(AT)	CA00661R
Q006	TR-DTC114EK	2316361R
Q007	TR-DTC114EK	2316361R
Q101	TR UN2111(TX)	CA01091R
Q102	TR 2SK161	CF01121R
Q103	TR KTC3197	CF02321R
Q104	TR 2SB709A(TX)	CA01081R
Q105	TR KRC231S	CF02331R
Q106	TR KRC231S	CF02331R
Q107	TR KRC231S	CF02331R
Q108	TR KRC231S	CF02331R
Q109	TR UN2211(TX)	CA01101R
Q301	TR UN2211(TX)	CA01101R
Q302	TR UN2211(TX)	CA01101R
Q305	TR KRC231S	CF02331R
Q306	TR KRC231S	CF02331R
Q307	TR KRC231S	CF02331R
Q308	TR KRC231S	CF02331R
Q309	TR UN2111(TX)	CA01091R
Q310	TR UN2111(TX)	CA01091R
Q311	TR UN2211(TX)	CA01101R
Q501	TR 2SC2412K	2325691R
Q502	TR 2SB709A(TX)	CA01081R
Q503	TR 2SC2412K	2325691R
Q551	TR KRC231S	CF02331R
Q552	TR KRC231S	CF02331R
Q553	TR KRC231S	CF02331R
Q554	TR KRC231S	CF02331R
Q555	TR KRC231S	CF02331R
Q556	TR HiT5610C	2319152
Q601	TR HiT5610C	2319152
Q602	TR 2SB709A(TX)	CA01081R
Q603	TR UN2211(TX)	CA01101R

Symbol No.	Description	Part No.	Symbol No.	Description	Part No.
Q701	TR UN2211(TX)	CA01101R	D032	DI 1N4002TAPE	CH02051M
Q702L	TR KRC231S	CF02331R	D033	DI FM4002	CC00721R
Q702R	TR KRC231S	CF02331R	D101	DI 1N4531T/1SS133	2398921T
Q703	TR HiT8050-C	2319052T	D102	DI 1N4531T/1SS133	2398921T
Q704	TR HiT8050-C	2319052T	D301	DI 1N4531T/1SS133	2398921T
Q705	TR HiT5609-C	2319062	D302	DI 1N4531T/1SS133	2398921T
Q706	TR KTC3199(GR)	CA00671R	D303	DI 1N4531T/1SS133	2398921T
Q707	TR UN2211(TX)	CA01101R	D304	DI 1N4002TAPE	CH02051M
Q708	TR UN2211(TX)	CA01101R	D551	DI 1N4531T/1SS133	2398921T
Q751	TR HiT5610-C	2319152	D552	DI 1N4531T/1SS133	2398921T
Q752	TR UN2211(TX)	CA01101R	D553	DI 1N4531T/1SS133	2398921T
Q753	TR HiT5610-C	2319152	D601	DI 1N4531T/1SS133	2398921T
Q754	TR UN2211(TX)	CA01101R	D651	DI 1N4531T/1SS133	2398921T
Q757	TR 2SC2412K	2325691R	D704	DI 1N4531T/1SS133	2398921T
Q758	TR UN2111(TX)	CA01091R	D705	DI 1SS355 TE-17T	CC00003R
Q803	TR 2SC2412K	2325691R	D706	DI 1SS355 TE-17T	CC00003R
Q805	DTC114EK	2316361R	D754	ZD HZ-5C2	2331798M
Q851	TR 2SB709A(TX)	CA01081R	D802	DI 1N4531T/1SS133	2398921T
Q852	TR 2SB709A(TX)	CA01081R	D803	DI 1N4531T/1SS133	2398921T
Q901	TR 2SC2412K	2325691R	D901	LED SLR-342MC3F(GREEN)	CH00071
Q902	TR 2SC2412K	2325691R	D902	LED SLR-342MC3F(GREEN)	CH00071
Q903	TR 2SC2412K	2325691R	D903	LED SLR-342MC3F(GREEN)	CH00071
Q904	TR 2SC2412K	2325691R	D904	LED SLR-342VC3F(RED)	CH00072
D001	DI 1N4002TAPE	CH02051M	D905	LED SLR-342MC3F(GREEN)	CH00071
D002	DI 1N4002TAPE	CH02051M	D906	LED SLR-342VC3F(RED)	CH00072
D003	DI 1N4002TAPE	CH02051M	D907	DI-1SS355 TE-17(T)	CC00003R
D004	DI 1N4002TAPE	CH02051M	ZD001	ZD MTZ J 30C	2348283M
D005	DI 1N4002TAPE	CH02051M	ZD002	ZD MTZ J 5.6A	2348111M
D006	DI 1N4531T/1SS133	2398921T	ZD651	ZD MTZ-J3.6A	2348061M
D007	DI D3DBA60	2342062	LED301	LED LX5230	CH01971
D009	DI 1N4002TAPE	CH02051M	LED551	LED LH5230	CH01971
D010	DI 1N4002TAPE	CH02051M	⚠ PT001	SUB TRANS (UC)	BT01412
D011	DI 1N4002TAPE	CH02051M	⚠ PT001	SUB TRANS (E)	BT01413
D012	DI 1N4002TAPE	CH02051M	⚠ PT001	SUB TRANS (W)	BT01414
D013	DI 1N4002TAPE	CH02051M	⚠ PT002	POWER TRANS [FOR UC]	BT01402
D014	DI 1N4002TAPE	CH02051M	⚠ PT002	POWER TRANS [FOR E, E(BS)]	BT01403
D015	DI 1N4002TAPE	CH02051M	⚠ PT002	POWER TRANS [FOR W, W(UN)]	BT01404
D016	DI 1N4002TAPE	CH02051M	⚠ F001	FUSE T1.6A/250V [FOR W, W(UN)]	FN00228
D020	DI 1N4002TAPE	CH02051M	⚠ F001	FUSE T630mA/250V [FOR E, E(BS)]	FN00221
D021	DI 1N4002TAPE	CH02051M	⚠ F002	FUSE T630mA/250V [FOR W, W(UN)]	FN00221
D022	DI 1N4002TAPE	CH02051M	⚠ F001	FUSE 1.6A/250V [FOR UC]	FN00234
D023	DI 1N4002TAPE	CH02051M	BL1	AM RF BLOCK	BH00532
D024	DI 1N4002TAPE	CH02051M	L175	FERRITE BEAD	BZ01422M
D025	DI 1N4002TAPE	CH02051M	L501	AUDIO TRAP COIL	2227361
D027	DI 1N4002TAPE	CH02051M	L502	AUDIO TRAP COIL	2227361
D028	DI 1SS355 TE-17T	CC00003R	T201	AM IFT WITH CF (LA1837)	BJ00252
D029	DI 1SS355 TE-17T	CC00003R	T203	LPF (19KHz)	BJ00411
D030	DI 1SS355 TE-17T	CC00003R	T204	LPF (19KHz)	BJ00411
D031	DI 1SS355 TE-17T	CC00003R	S901	TACT SWITCH(SKHVBB)	FE00221R

Symbol No.	Description	Part No.
S902	TACT SWITCH(SKHVBB)	FE00221R
S903	TACT SWITCH(SKHVBB)	FE00221R
S904	TACT SWITCH(SKHVBB)	FE00221R
S905	TACT SWITCH(SKHVBB)	FE00221R
S906	TACT SWITCH(SKHVBB)	FE00221R
S907	TACT SWITCH(SKHVBB)	FE00221R
S908	TACT SWITCH(SKHVBB)	FE00221R
S909	TACT SWITCH(SKHVBB)	FE00221R
S910	TACT SWITCH(SKHVBB)	FE00221R
S911	TACT SWITCH(SKHVBB)	FE00221R
S912	TACT SWITCH(SKHVBB)	FE00221R
S914	TACT SWITCH(SKHVBB)	FE00221R
S915	TACT SWITCH(SKHVBB)	FE00221R
S916	TACT SWITCH(SKHVBB)	FE00221R
S917	TACT SWITCH(SKHVBB)	FE00221R
S918	TACT SWITCH(SKHVBB)	FE00221R
S919	TACT SWITCH(SKHVBB)	FE00221R
S920	TACT SWITCH(SKHVBB)	FE00221R
S921	TACT SWITCH(SKHVBB)	FE00221R
S951	SLIDE SW	FD00242
SW001	VOLTAGE SELECTOR	FG00011
CF101	L10.7MA-5 [FOR UC, W, W(UN)]	BN00211
CF101	SFT10.7MS2-A [FOR E, E(BS)]	BN00101
CF102	SFE10.7MS2G-A [FOR UC, W, W(UN)]	BN00111
CF102	SFT10.7MS2-A [FOR E, E(BS)]	BN00101
CN002	2P(4S)VH CON WITH AMP IN(L=150)	EF05987
CN003	5P B-B SOCKET (9110-S)	EY00093
CN004	3P VH-BOARDIN (L=100)	EF05912
CN005	9P PH-SAN CON (L=120)	EF04259
CN006	9P PH-SAN CON (L=240)	EF04255
CN007	12P SOCKET (9110S-12L)	EY00101
CN008	8P PH-SAN CON (L=120)	EF04257
CN301	4P KR-DA CON (L=100)	EF06822
CN302	6P KR-DA CON (L=180)	EF06866
CN501	7P SOCKET (9110S-07L)	EY00095
CN502	3P PIN SOCKET (9130-S)	EY00481
CN503	7P B-B SOCKET (9110-S)	EY00095
CN504	3P B-B SOCKET (9130-S)	EY00481
CN505	2P PH-SAN CON (L=160)	2909046L
CN506	5P KR-DA CON(L=360)	EF06854
CN602	6P KR-DA CON(L=100)	EF06862
CN701	8P-SAN(SHIELD) CONN(L=80)	EF09541
CN701A	18P-B-B SOCKET (9110-S)	EY00107
CN702A	10P-B-B SOCKET (9110-S)	EY00098
CN701B	18P PIN HEADER(9110B-18)	EY00087
CN702B	10P PIN HEADER(9110B-10)	EY00078
CN751	13P PH-SAN CON (L=240)	EF07009
CN752	5P PH-SAN CONN (L=100)	EF06842
CN901	25P FFC CONNECTOR(L)	ED00822




Symbol No.	Description	Part No.
CN901B	25P FFC CON	ED00792
CN902	4P PH CONNECTOR(L=300)	EF06832
E001	FUSE HOLDER	2729252R
E002	FUSE HOLDER	2729252R
E003	FUSE HOLDER	2729252R
E004	FUSE HOLDER	2729252R
FE101	TUNER PACK (FE450-G01) [FOR E, E(BS)]	HH00042
FE101	TUNER PACK (FE350-J01) [FOR W(UN)]	HH00043
FE101	TUNER PACK (FE350-A01) [FOR UC, W]	HH00041
FL901	FL TUBE(SVA-16MM21)	DD00371
IR901	IR SENSOR(RPM-6938-V4)	CJ00252U
JK101	ANT TERMINAL YKD31	EU00011
JK301	4P US PIN TERMINAL	ER00224
JK302	3.5 JACK	2671413
JK501	4P SP TERMINAL	EU00086
JK502	1P US PIN JACK	ER00241
JK503	HEADPHONE JACK	ER00631
JK601	IC GP1F32T	DT00133
L701L	DOLBY FILTER	BJ00432
L701R	DOLBY FILTER	BJ00432
L702L	BIAS TRAP COIL 105kHz	2150801
L702R	BIAS TRAP COIL 105kHz	2150801
L703	BIAS OSC COIL	BS00081
L704	LAL axial coil 100KR	2122943R
PG001	PLUG-VH 2P 4S [FOR UC, E, E(BS), W, W(UN)]	2674284
PG002	PLUG-VH 2P 4S	2674284
PG003	5P PIN HEADER (9110B-05)	EY00073
PG004	3P VH PIN POST	2668812W
PG005	9P PH PIN POST	26959058
PG006	9P PH PIN POST	2959058
PG007	12P PIN HEADER (9110B-12)	EY00081
PG008	8P PH PIN POST	2959057
PG301	4P PH PIN POST	2959053
PG302	6P PH PIN POST	2959055
PG501	7P PIN HEADER (9110B-07)	EY00075
PG502	3P PIN HEADER (9130B-03)	EY00511
PG503	7P PIN HEADER (9110B-07)	EY00075
PG504	3P PIN HEADER (9130B-03)	EY00511
PG505	2P PH PIN POST	2959051
PG506	5P PH PIN POST	2959054
PG507	3P PH PIN POST	2959052
PG601	1.0MM 30P FFC CON(52806-301)	ED01752
PG902	4P PH PIN POST	2959053
PR001	ICP-N5T104	2726221R
PR002	ICP-N25T104	2726225R
PR003	ICP-N25T104	2726225R

Symbol No.	Description	Part No.
PR701	ICP-N5T104	2726221R
RA651	RGLE11X473J	AZ00322
RA652	RGLE5X473J	AZ00321
RA653	RGLE5X473J	AZ00321
RE901	ENCODER(REB161)	FH00151
RE902	ENCODER	FH00131
RT701L	NVZ6TL1B50K	AW00109
RT701R	NVZ6TL1B50K	AW00109
RT702L	NVZ6TL1B20K	AW00107
RT702R	NVZ6TL1B20K	AW00107

Symbol No.	Description	Part No.
RT703L	NVZ6TL1B100K	AW00111
RT703R	NVZ6TL1B100K	AW00111
RY001	RELAY (SDT-S-109LMR)	FJ00151
RY551	RELAY (OSA-SS-224DM3)	2641321
X101	CRYSTAL 7.2MHz	2170132
X201	CDA10.7MG74C	BN00192
X251	CRYSTAL 4.332MHz	2170133F
X801	CST8.00MTW	BP00141
X802	CRYSTAL 32.768kHz	2168491

Cabinet Chassis:

Symbol No.	Description	Part No.
1	TOP COVER	QA01581
2	FRONT PANEL [FOR UC, E, E(BS), W, W(UN)]	PM08971
3	INNER PANEL	PH07051
4	CLEAR PANEL	PH07101
5	REMOCON WINDOW	PH07121
6	STANDBY INDI	PH07111
7	VOLUME RING	PH07081
8	CASSETTE ESC	PH07061
9	CASSETTE DOOR	PH07092
10	SCREW 3X6 DT BIND B	8679406
11	JOB KNOB	PC03861
12	SLIDE KNOB	PC04101
13	SKIP BUTTON	PC03702
14	TUNER BUTTON	PC03851
15	CD BUTTON SASS	PC03751
16	FUNCTION BUTTON	PC03841
17	POWER BUTTON	PC03831
18	DOOR SPRING	KL00551
19	REC/STOP BUTTON SASS	PC03771
20	DECK BUTTON SASS	PC03711
21	NUT M9X0.75	MK00246
22	VOLUME KNOB ASSY	PC03881
23	REMOCON (AX-M5)	HL01212
24	BATT	FR00041
25	MECHA HOLDER	NA43911
26	LOADER PANEL	PH05656
27	BOTTOM CHASSIS	QA01611
28	FOOT	QJ00681
29	FELT	MS00211
30	SCREW 3X6 DT BIND B	8679406
31	PWB SUPPORT	ML00441
32	REAR PLATE [FOR UC]	QA01591
	REAR PLATE [FOR E, E(BS)]	QA01592
	REAR PLATE [FOR W, W(UN)]	QA01593

Symbol No.	Description	Part No.
 33	AC CORD [FOR UC]	EV00702
 34	AC CORD [FOR E, E(BS), W, W(UN)]	EV00585
 35	3P BS AC CORD [FOR E(BS)]	EP00062
34	EDISON PLUG ADAPTER S TO E [FOR W, W(UN)]	EY00281
35	SCREW 4X6 DT BIND B	8679606
36	SCREW 3X10 BT PAN	4577831
37	SCREW 3X10 BT BIND	8691410
38	SCREW 3X10 BT CAP	MJ01581
39	DECK MECHA ADR-2180ST	UC00531
40	SCREW 3X10 BT BIND	8691410
41	SCREW 3X6 DT BIND B	8679406
42	CD MECHA RD-DRL008-M	UC00502
43	SCREW 3X8 BT BIND	8691408
44	SCREW 3X10 BT BIND B	8699410
45	SCREW 3X8 BT BIND B	8699408
46	SCREW 3X10 BT BIND B	8699410
47	SCREW 3X4 DT BIND	8671404
48	SCREW 3X10 BT BIND	8691410
49	COOLING FAN	GS00291
50	SCREW 4X6 DT BIND B	8679606
51	HEAT SINK	MB00421
52	HEAT SINK BKT	NA43921
53	SCREW 3X10 BT BIND B	8699410
54	SCREW 3X10 BT BIND B	8699410
55	SCREW 3X14 BT BIND B	8699414
56	SCREW 3X16 BT BIND B	8699416
57	PWB BKT	NA43931
58	SCREW 3X10 BT BIND B	8699410
59	SCREW 2.6X8 BT BIND B	8699308
60	FM ANT. CONNECTOR	EF02133
61	AM LOOP ANT.	2759342
62	1.25 FFC CABLE 25P (L=100)	EK01043
63	1.0 FFC CABLE 30P (L=100)	EK00974

Cassette Chassis:

Symbol No.	Description	Part No.	Symbol No.	Description	Part No.
1	CHASSIS MAIN ASS'Y	TJ01701	53	WASHER-PLAIN (ø2.3*3.5*0.2)	TJ01784
2	CHASSIS-MAIN	TJ01702	54	MOTOR ASS'Y	TJ01791
3	SHAFT-RF	TJ01703	55	PULLEY-MOTOR AD	TJ01792
4	SHAFT-IDLER	TJ01704	56	MOTOR	TJ01793
5	BEARING METAL A	TJ01705	57	WIRE-MOTOR (2P*130)	TJ01794
6	BEARING METAL B	TJ01706	58	CLUTCH ASS'Y	TJ01801
7	SUB PULLEY SHAFT	TJ01707	59	BUSH-C	TJ01802
8	PLATE-SPRING	TJ01708	60	PULLEY-C	TJ01803
9	SPRING EARTH	TJ01709	61	CAP-C	TJ01804
10	BRKT HEAD ASS'Y	TJ01711	62	SPRING-C	TJ01805
11	BRACKET-HEAD	TJ01712	63	WASHER-PLAIN (ø1.2*3.2*0.2)	TJ01806
12	GEAR-HEAD	TJ01713	64	PCB ASS'Y	TJ01811
13	GEAR-DIR	TJ01714	65	PCB CONTROL V2.5	TJ01812
14	PIN-AZIMUTH	TJ01715	66	CONNECTOR R/P	TJ01813
15	SCREW-TAPPING	TJ01716	67	PHOTO SENSOR	TJ01814
16	SCREW-AZIMUTH	TJ01717	68	SWITCH DETECT	TJ01815
17	SPRING-DIR	TJ01718	69	SWITCH MODE	TJ01816
18	CONNECTOR HEAD	TJ01719	70	SCREW S (M2*17)	TJ01817
19	HEAD R/P	TJ01721	71	RESISTOR	TJ01818
20	WIRE HEAD	TJ01722	72	DIODE	TJ01819
21	WIRE HEAD	TJ01723	73	GEAR P ASS'Y	TJ01821
22	WIRE HEAD	TJ01724	74	BUSH-P	TJ01822
23	WIRE HEAD	TJ01725	75	GEAR-P	TJ01823
24	WIRE HEAD	TJ01726	76	CAP-P	TJ01824
25	WIRE HEAD	TJ01727	77	SPRING-P	TJ01825
26	WIRE HEAD	TJ01728	78	FELT-P	TJ01826
27	BASE HEAD ASS'Y	TJ01731	79	LOADING MOTOR ASS'Y	TJ01831
28	BASE-HEAD	TJ01732	80	LOADING MOTOR	TJ01832
29	BASE-SUB HEAD	TJ01733	81	GEAR MOTOR	TJ01833
30	SHAFT-BASE S	TJ01734	82	LOADING M/T WIRE (2P*60)	TJ01834
31	SPR-SUB	TJ01735	83	BRKT MOTOR ASS'Y	TJ01841
32	PINCH ROLLER ASS'Y F	TJ01741	84	MOTOR BRACKET	TJ01842
33	ARM-PINCH F	TJ01742	85	SHAFT HOLDER A	TJ01843
34	SHAFT-PINCH	TJ01743	86	SHAFT HOLDER B	TJ01844
35	SPRING-PINCH F	TJ01744	87	BRKT SIDE ASS'Y	TJ01851
36	ROLLER PINCH	TJ01745	88	SIDE BRACKET	TJ01852
37	PINCH ROLLER ASS'Y R	TJ01751	89	SHAFT PLATE SWITCH	TJ01853
38	ARM-PINCH R	TJ01752	90	SHAFT LEVER SLIDE	TJ01854
39	SHAFT-PINCH	TJ01753	91	BUSH LEVER SLIDE	TJ01855
40	SPRING-PINCH R	TJ01754	92	L/M PCB ASS'Y	TJ01861
41	ROLLER PINCH	TJ01755	93	LOADING PCB	TJ01862
42	ARM P ASS'Y	TJ01761	94	LOADING CONNECTOR	TJ01863
43	ARM-P	TJ01762	95	SWITCH (MPU10840MLBO)	TJ01864
44	ROLLER-P	TJ01763	96	HOLDER C ASS'Y	TJ01871
45	FLYWHEEL F ASS'Y	TJ01771	97	HOLDER C	TJ01872
46	PLATE-FLYWHEEL F	TJ01772	98	SHAFT HOLDER C	TJ01873
47	PULLEY-FLYWHEEL F	TJ01773	99	CASE C ASS'Y	TJ01881
48	SHAFT-CAPSTAN F	TJ01774	100	CASE CASSETTE	TJ01882
49	WASHER-PLAIN (ø2.3*3.5*0.2)	TJ01775	101	SHAFT HC	TJ01883
50	FLYWHEEL R ASS'Y	TJ01781	102	ARM C ASS'Y	TJ01891
51	PULLEY-F/W R	TJ01782	103	ARM CASSETTE	TJ01892
52	SHAFT-CAPSTAN R	TJ01783	104	SHAFT ARM C	TJ01893

Symbol No.	Description	Part No.
105	LEVER AC ASS'Y	TJ01901
106	LEVER AC	TJ01902
107	SHAFT LEVER AC	TJ01903
108	CHIP REEL	TJ01904
109	REEL BASE	TJ01905
110	GEAR-CAM	TJ01906
111	GEAR-IDLER	TJ01907
112	LEVER-BRAKE	TJ01908
113	ARM-CAM LOCK	TJ01909
114	ARM-RF	TJ01911
115	GEAR-RF	TJ01912
116	LEVER-AC	TJ01913
117	SHEET PHOTO	TJ01914
118	SPRING-B/T R	TJ01915
119	SPRING-LEVER AC	TJ01916
120	SPRING-BASE HEAD	TJ01917
121	SPRING-CAM LOCK	TJ01918
122	SPRING-ARM RF	TJ01919
123	SPR-PINCH RETURN F	TJ01921
124	SPR-PINCH RETURN R	TJ01922
125	SCREW-T	TJ01923
126	WASHER-PLAIN (ø1.8*4.0*0.5t)	TJ01924
127	WASHER-PLAIN (ø1.6*3.5*0.5t)	TJ01925
128	WASHER-PLAIN (ø1.2*3.2*0.2)	TJ01926
129	BELT SUB	TJ01927
130	MAIN BELT (ø87.2*3.2*0.5t)	TJ01928

Symbol No.	Description	Part No.
131	SPRING-B/T F	TJ01929
132	SOLENOID (24W)	TJ01931
133	WASHER-PLAIN (ø4.6*7.5*0.1)	TJ01932
134	SCREW (M2.6*4)	TJ01933
135	CUSHION MOTOR	TJ01934
136	PULLEY SUB	TJ01935
137	SUB PULLEY WASHER	TJ01936
138	WASHER-PLAIN (ø3.6*6.0*0.5)	TJ01937
139	PLATE SLIDE	TJ01938
140	PLATE SWITCH	TJ01939
141	BRACKET EJECT	TJ01941
142	GEAR LOADING A	TJ01942
143	GEAR LOADING B	TJ01943
144	COLLER HC	TJ01944
145	SPRING HOLDER C	TJ01945
146	SPRING PLATE S/W	TJ01946
147	SCREW (M2.6*3)	TJ01947
148	GEAR 18	TJ01948
149	GEAR 14	TJ01949
150	SHAFT LOADING	TJ01951
151	BUSH LOADING	TJ01952
152	WASHER-PLAIN (ø1.6*4.0*0.4t)	TJ01953
153	BUSH HOLDER	TJ01954
154	SCREW-HC (M2*3)	TJ01955
155	WASHER-PLAIN (ø1.6*3.5*0.2)	TJ01956
156	SPEACER-HC	TJ01957

CD Mechanism:

Symbol No.	Description	Part No.
1	LOADING MECH. CHASSIS ASS'Y	TJ01571
2	INTERMEDIATE GEAR	TJ01572
3	DRIVE GEAR (A)	TJ01573
4	INTERMEDIATE GEAR	TJ01574
5	LOADING MOTOR ASS'Y	TJ01575
6	LOCK LEVER SPRING	TJ01576
7	ASSIST SPRING	TJ01577
8	BELT	TJ01578
9	CONVERSION LEVER	TJ01579
10	LOCK LEVER	TJ01581
11	SLIDE PLATE (2)	TJ01582
12	SLIDE PLATE (1)	TJ01583
13	SCREW	TJ01584
14	SCREW	TJ01585
15	MAGNET	TJ01586
16	CLAMP PLATE ASS'Y	TJ01587
17	FIXED PLATE	TJ01588
18	MAGNET HOLDER ASS'Y	TJ01589

Symbol No.	Description	Part No.
19	DRIVE GEAR (B) ASS'Y	TJ01591
20	DISC TRAY	TJ01592
21	SCREW	TJ01593
22	SCREW	TJ01594
23	TRAVERSE DECK ASS'Y	TJ01595
24	FLOATING RUBBER	TJ01596
25	SCREW	TJ01597
26	FLOATING SPRING (1)	TJ01598
27	FLOATING SPRING (2)	TJ01599
28	TRAVERSE CHASSIS	TJ01601
29	TRAVERSE FIXED PIN (1)	TJ01602
30	TRAVERSE FIXED PIN (2)	TJ01603
31	BELT COVER	TJ01604
32	CD PWB ASS	TJ01605
33	SOCKET (16P)	TJ01646
34	CONNECTOR (30P)	TJ01647
35	CONNECTOR (6P)	TJ01698

HS-M7:

Symbol No.	Description	Part No.
SP1	CABINET ASSY	UX06521
	WRAP BOARD	
	FRONT BOARD	
	BACK BOARD	
	RATING LABEL/BACK LABEL (HITACHI)	
	DUCT/PORT TUBE	
	RUBBER CATCH/RUBBER GROMMATE	
	ABSORBER/ACCOUSTIC FELT	
	ABSORBER/ACCOUSTIC FELT	
SP2	NET GRILL ASSY/CLOTH FRAME ASSY	UX06523
	GRILL/CLOTH FRAME	
	NET/GRILL CLOTH	
	BADGE/LOGO (HITACHI)	

Symbol No.	Description	Part No.
SP3	TWEETER RING (HITACHI)	UX06525
SP4	WOOFER RING	UX06527
SP5	WOOFER	UX06528
SP6	DOMTWEETER	UX06529
SP7	NETWORK ASSY/CROSSOVER	UX06530
	PWB	
	COIL 0.15 mH	
	COIL 0.33 mH	
	RESISTOR 8W	
	CAPACITOR 4UF/100V	
	CAPACITOR 1UF/100V	
	WIRE (TWEETER)	
	WIRE (WOOFER)	
SP8	TERMINAL PLATE	UX06531

HITACHI

 Hitachi, Ltd. Tokyo, Japan

International Sales Division
THE HITACHI ATAGO BUILDING,
No. 15 –12 Nishi Shinbashi, 2 – Chome,
Minato – Ku, Tokyo 105-8430, Japan.
Tel: 03 35022111

HITACHI HOME ELECTRONICS (EUROPE) LTD.

Dukes Meadow
Millboard Road
Bourne End
Buckinghamshire
SL8 5XF

UNITED KINGDOM

Tel: 01628 643000
Fax: 01628 643400

Email: consumer-service@hitachi-eu.com

HITACHI HOME ELECTRONICS (HELLAS) S. A.

Faliroy 91
11741
Athens

GREECE

Tel: 01-9242620
Fax: 01-9240789

Email: dimitra.vlachou@hitachi-eu.com

HITACHI SALES EUROPA GmbH.

Am Seesterns 18
40547 Dusseldorf

GERMANY

Tel: 02 11 – 5 29 15 – 0
Fax: 02 11 – 5 29 15 – 190

Email: HSE-DUS.Service@Hitachi-eu.com

HITACHI SALES IBERICA, S. A

Gran Via Carlos III,, 101 - 1
08028 Barcelona

SPAIN

Tel: 093 409 2550
Fax: 093 491 3513

Email: rplan@hitachi-eu.com

HITACHI SALES ITALIANA SPA

Via Gulli n.39
20147 MILAN

ITALY

Tel: 02 38073415
Fax: 02 48786381/2

Email: customerservice.italy@hitachi-eu.com

HITACHI HOME ELECTRONICS (NORDIC) AB

Box 77
S-164 94 KISTA

SWEDEN

Tel: 08 562 711 00
Fax: 08 562 711 11

Email: csgswe@hitachi-eu.com

HITACHI FRANCE S.A.

BP 45, 69671 Bron Cedex
FRANCE

Tel: 04 -72.14.29.70
Fax: 04 -72.14.29.99

Email: conso-hitachi@compuserve.com

HITACHI HOME ELECTRONICS NORWAY

Brugata 14
N-0186

OSLO

NORWAY

Tel: 02205 9060
Fax: 02205 9061

Email: csgnor@hitachi-eu.com

ITEM N.V./S.A. (INTERNATIONAL TRADE FOR ELECTRONIC MATERIAL & MEDIA N.V./S.A)

UCO Tower – Bellevue,
17 – B – 9050 GENT

BELGIUM (for BENELUX)

Tel: 02 9 230 4801
Fax: 02 9 230 9680

Email: hitachi.item@skynet.be

No. 0095E
NOVEMBER 1999