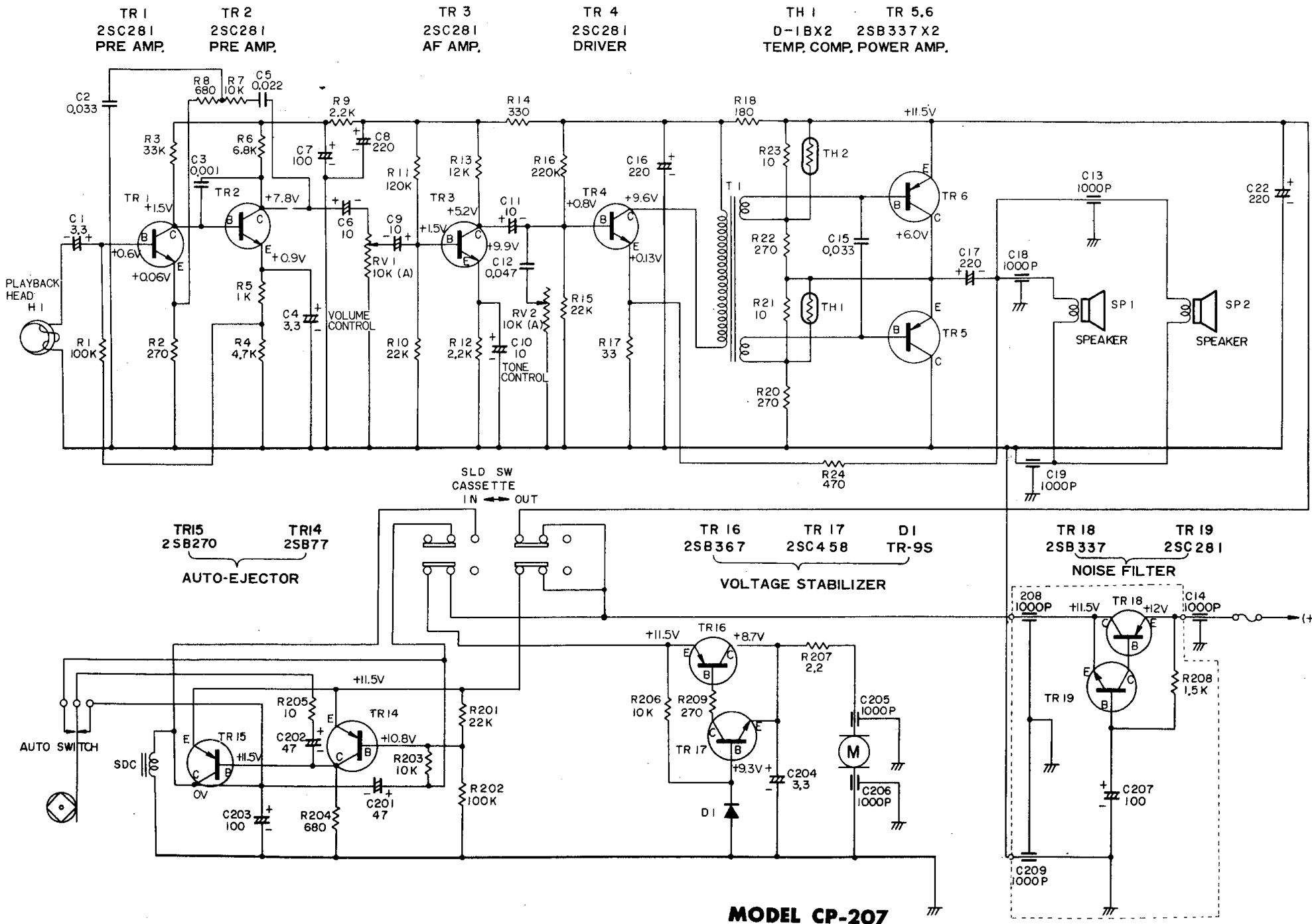


CP-207



NOTE 1. VOLTAGE MEASURED WITH VOLTMETER AT 12V DC, BASE OF ⊖ SIDE POWER SUPPLY, VOLUME CONTROL AT MINIMUM AND NO SIGNAL.
 2. ALL RESISTANCE VALUES IN OHMS, K = 1000 NOTED, P = μF, F = PF
 3. ALL CAPACITANCE VALUES IN μF EXCEPT "p"