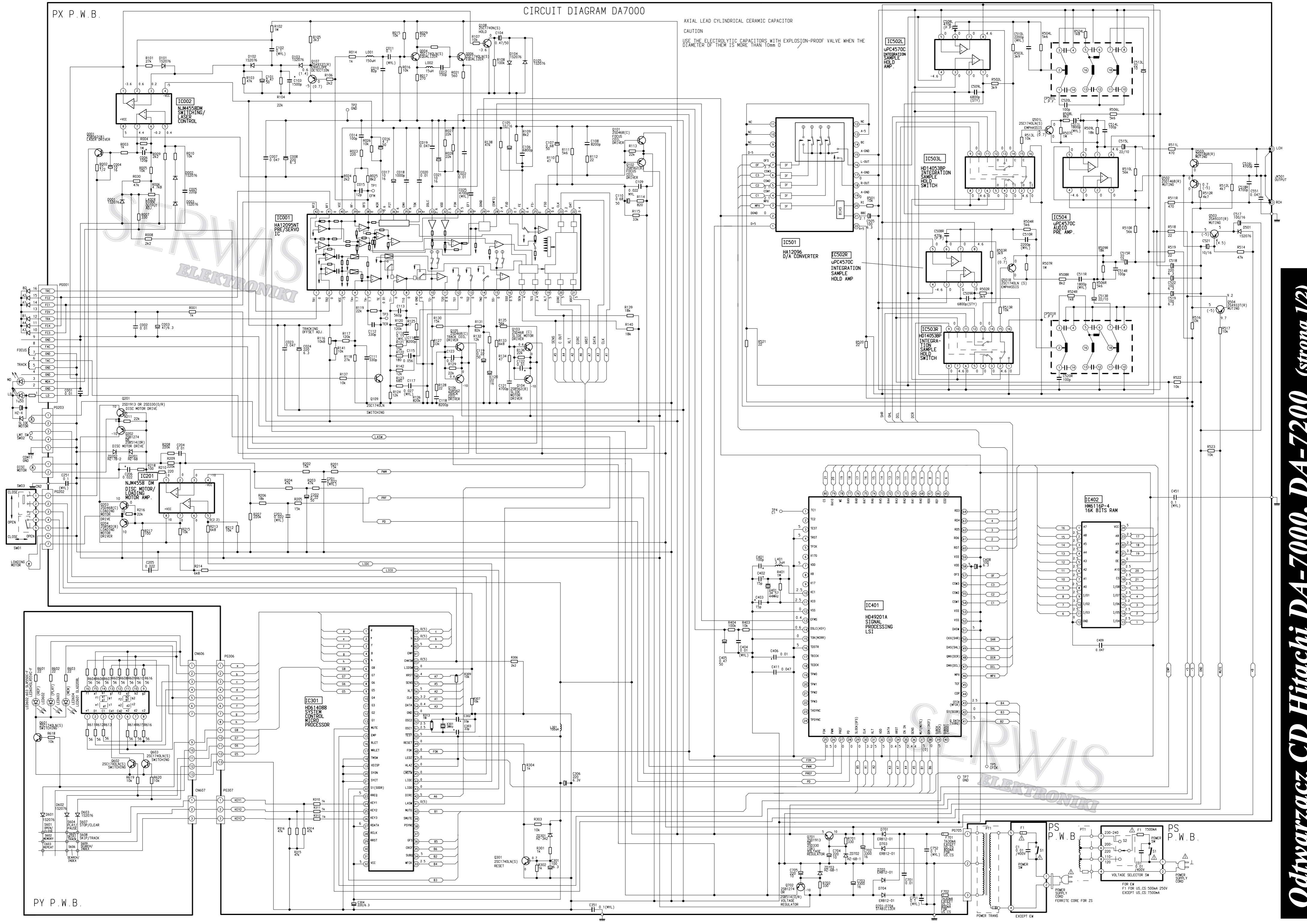
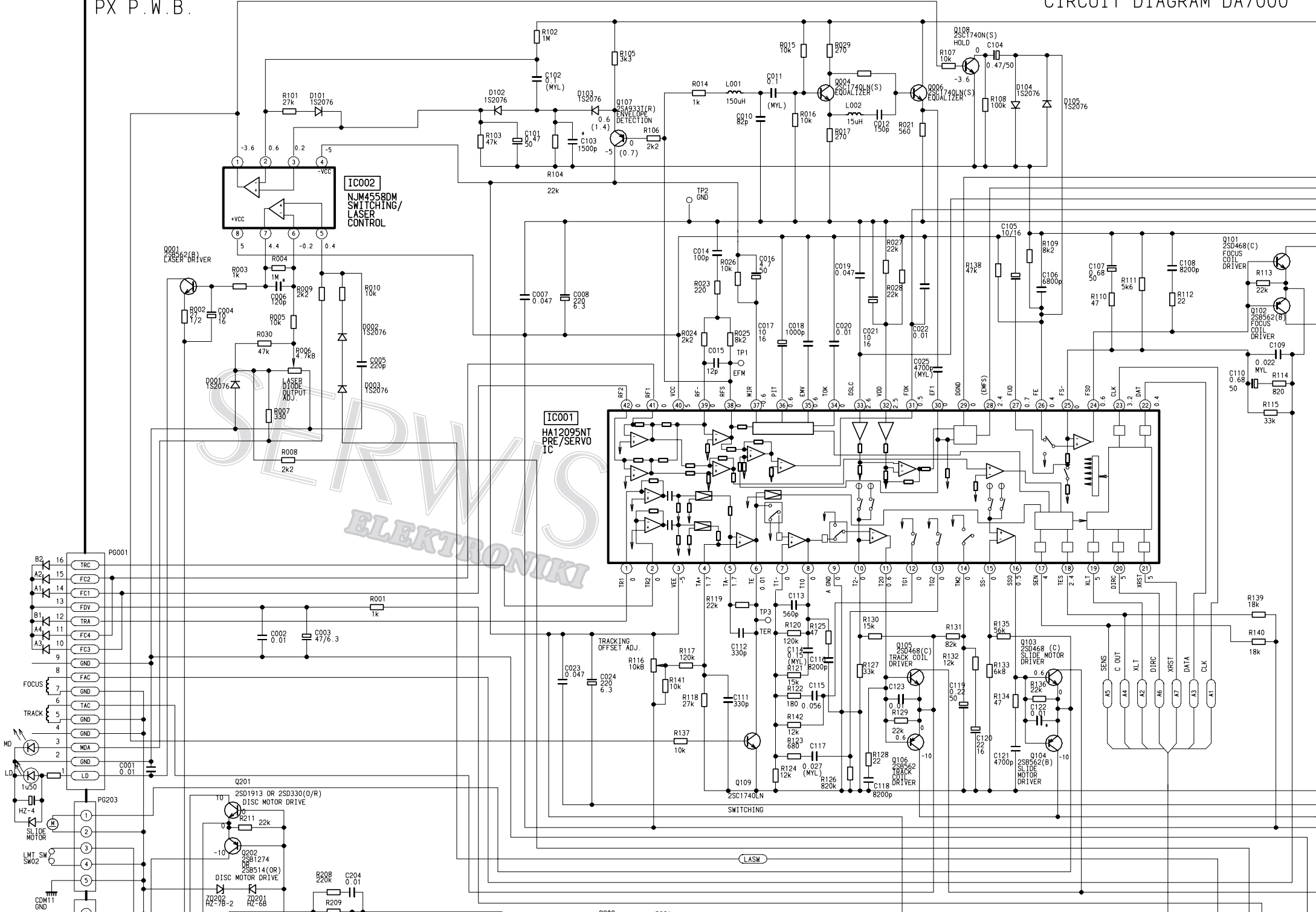
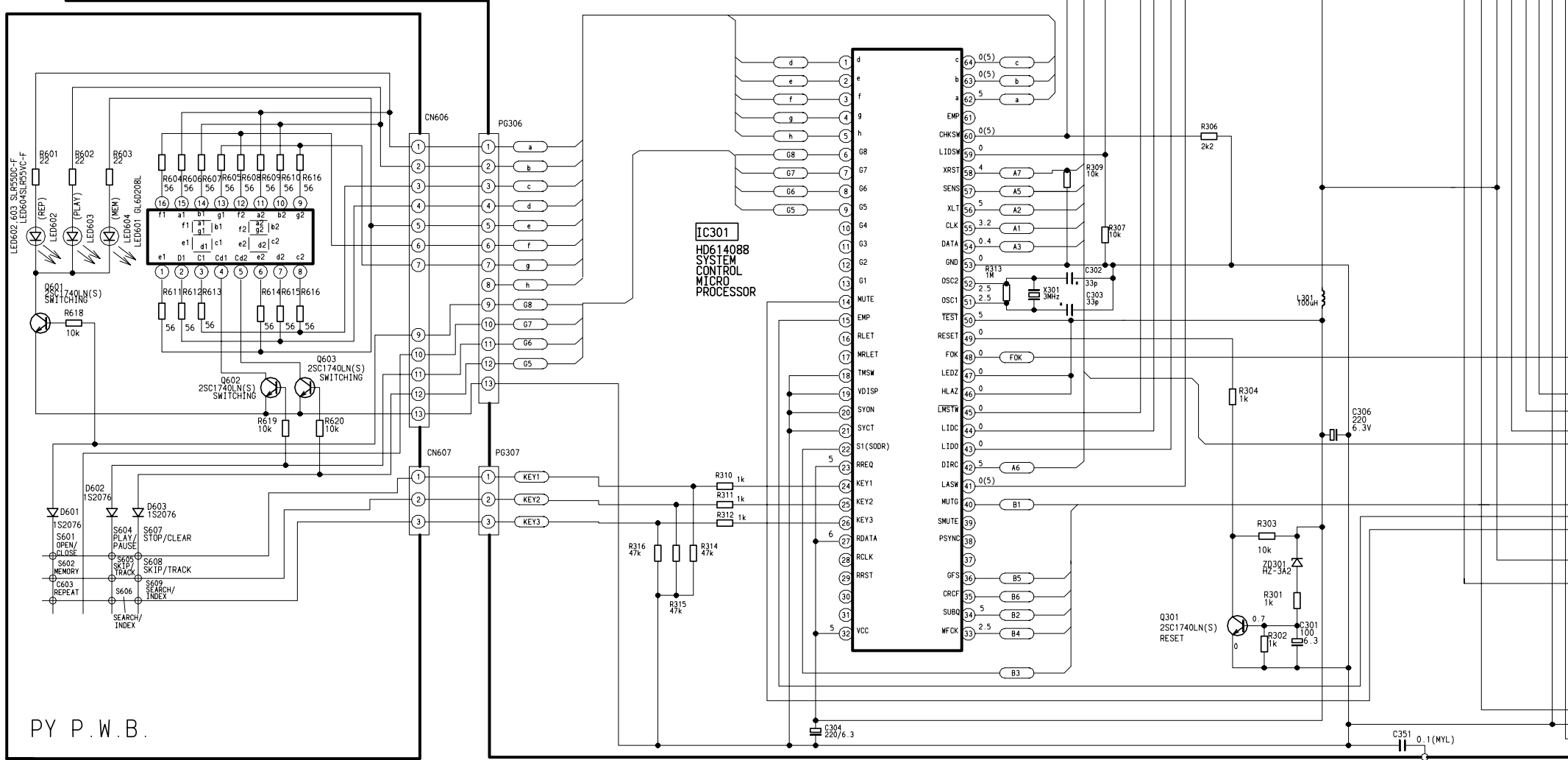
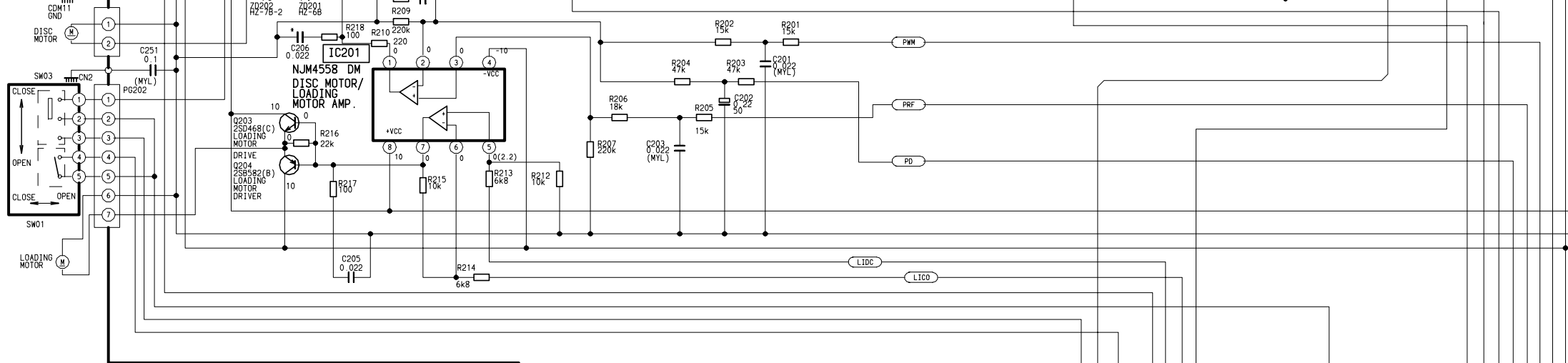


CIRCUIT DIAGRAM DA7000

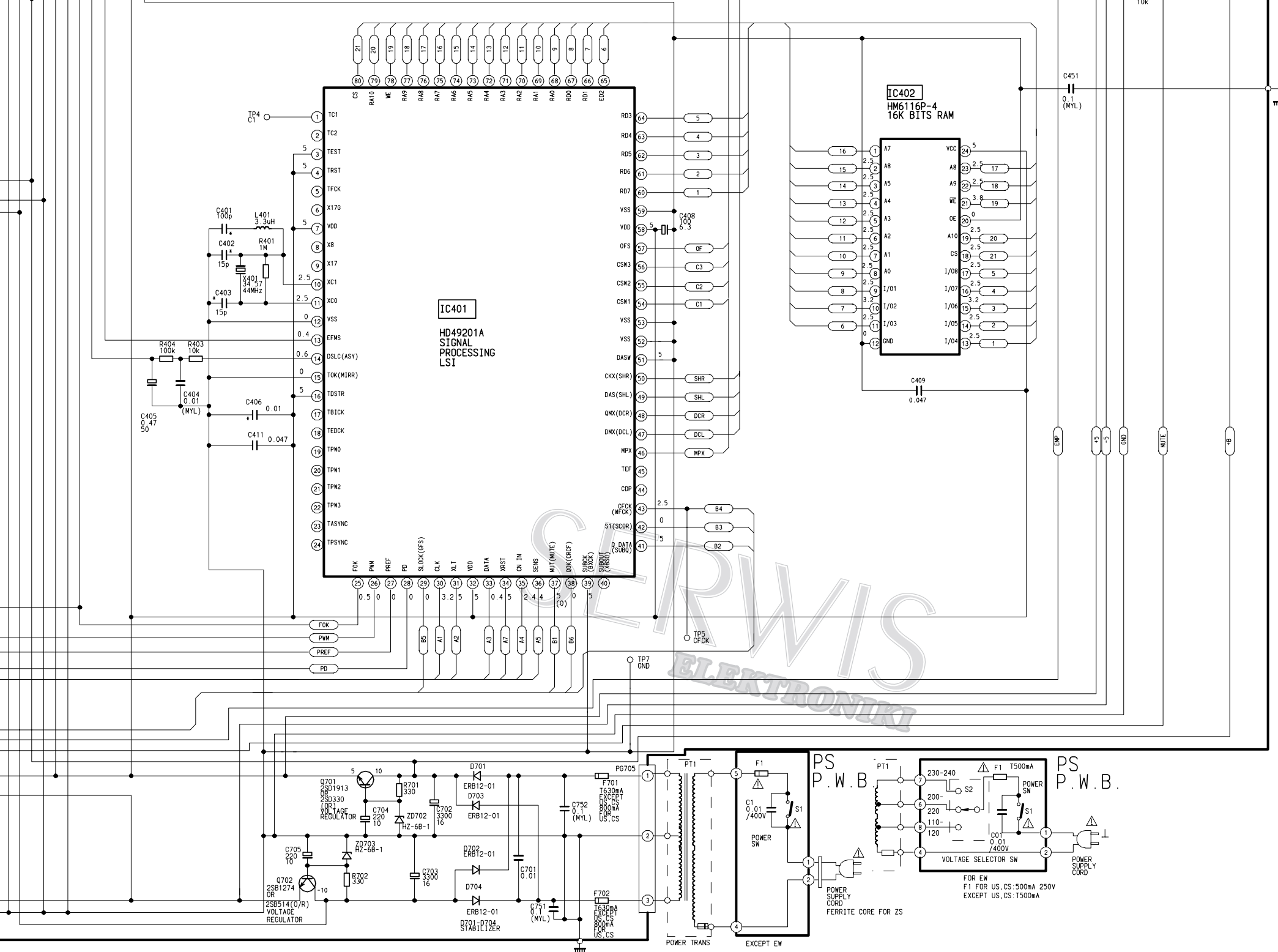
AXIAL LEAD CYLINDRICAL CERAMIC CAPACITOR
CAUTION
USE THE ELECTROLYTIC CAPACITORS WITH EXPLOSION-PROOF VALVE WHEN THE DIAMETER OF THEM IS MORE THAN 10mm Ø







PY P.W.B.

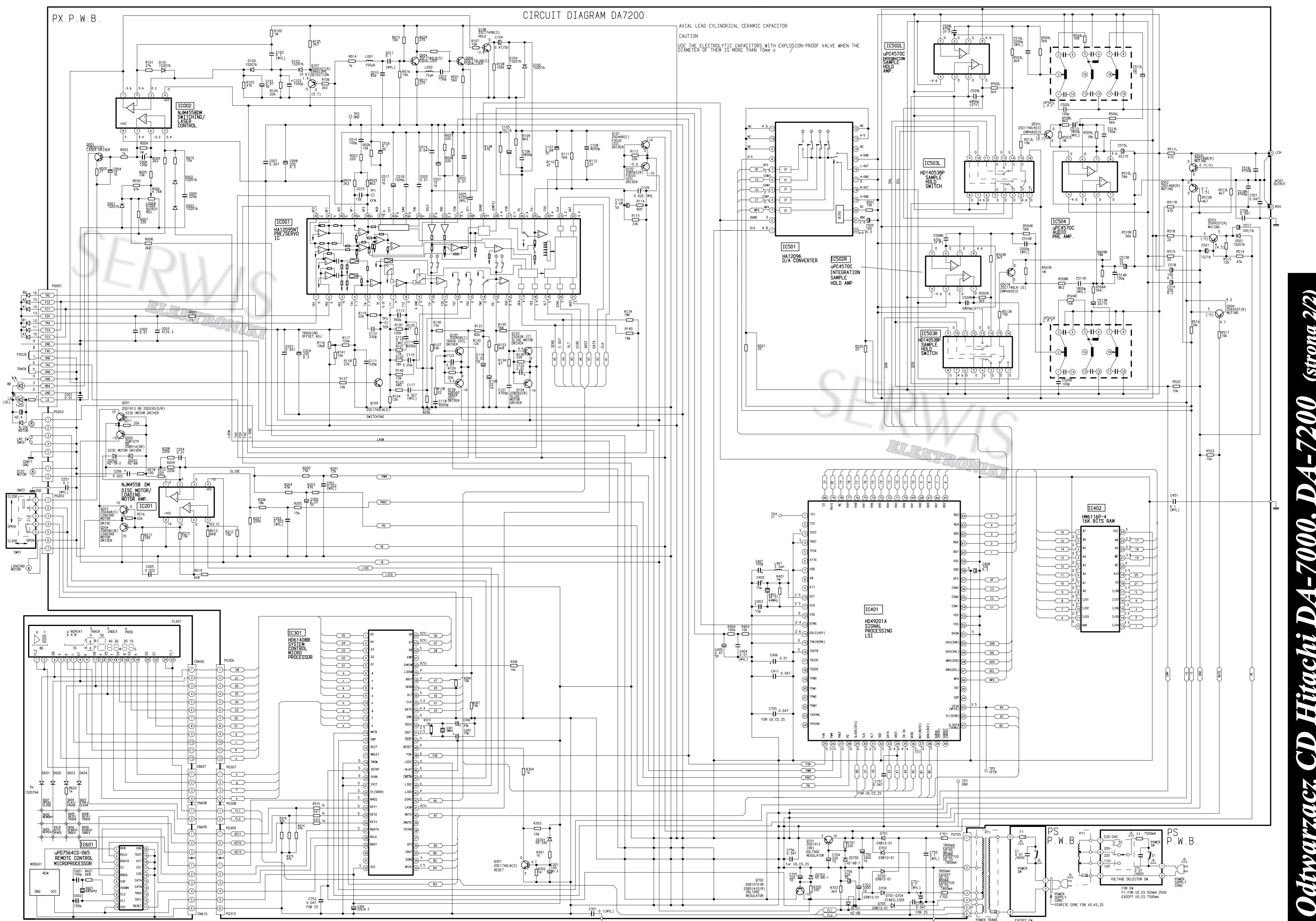


Odtwarzacz CD Hitachi DA-7000, DA-

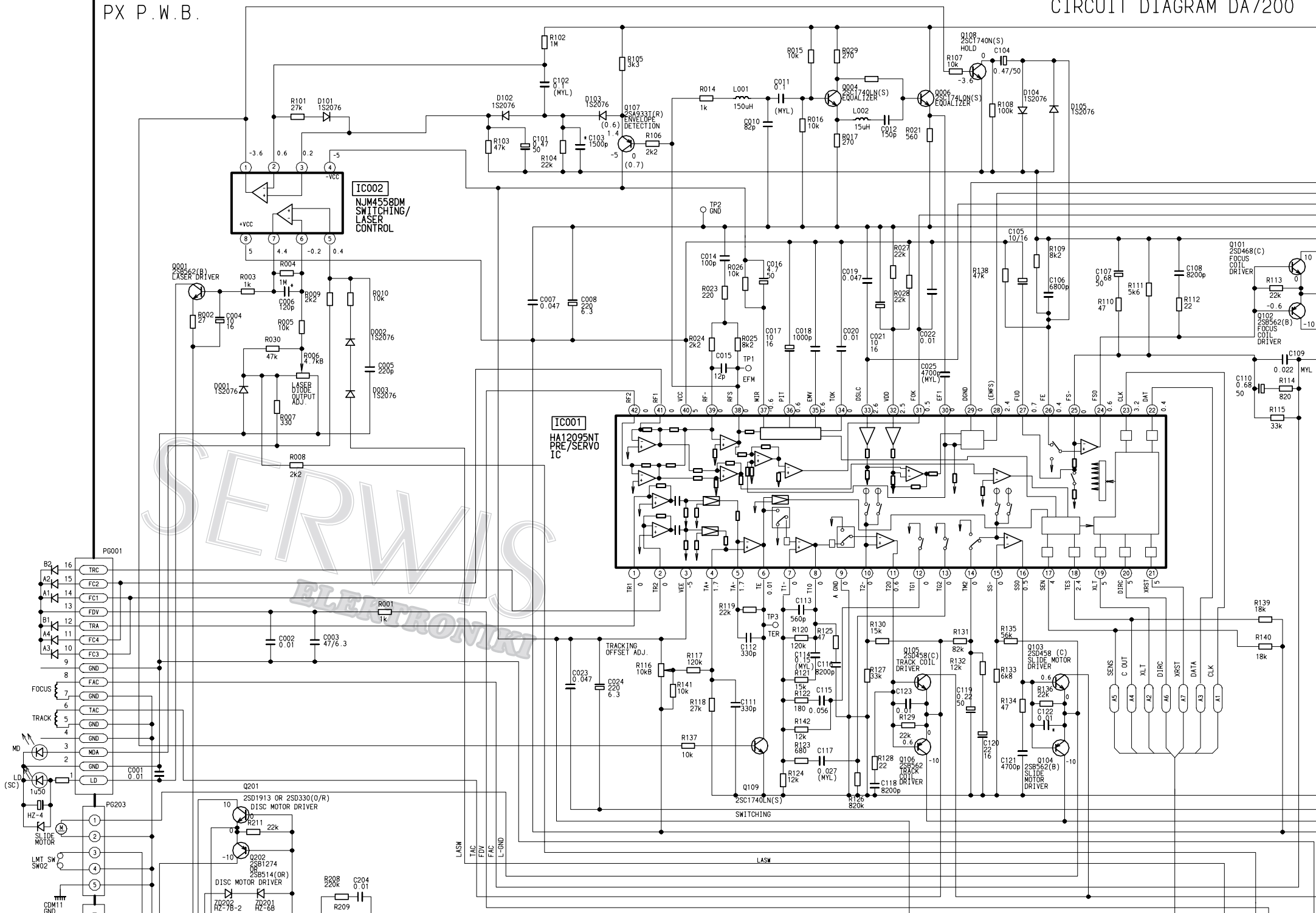
PX P.W.B.

CIRCUIT DIAGRAM DA7200

AXIAL LEAD CYLINDRICAL CERAMIC CAPACITOR
CAUTION
USE THE ELECTROLYTIC CAPACITORS WITH EXPLOSION-PROOF VALVE WHEN THE DIAMETER OF THEM IS MORE THAN 10mm φ



PY P.W.B.



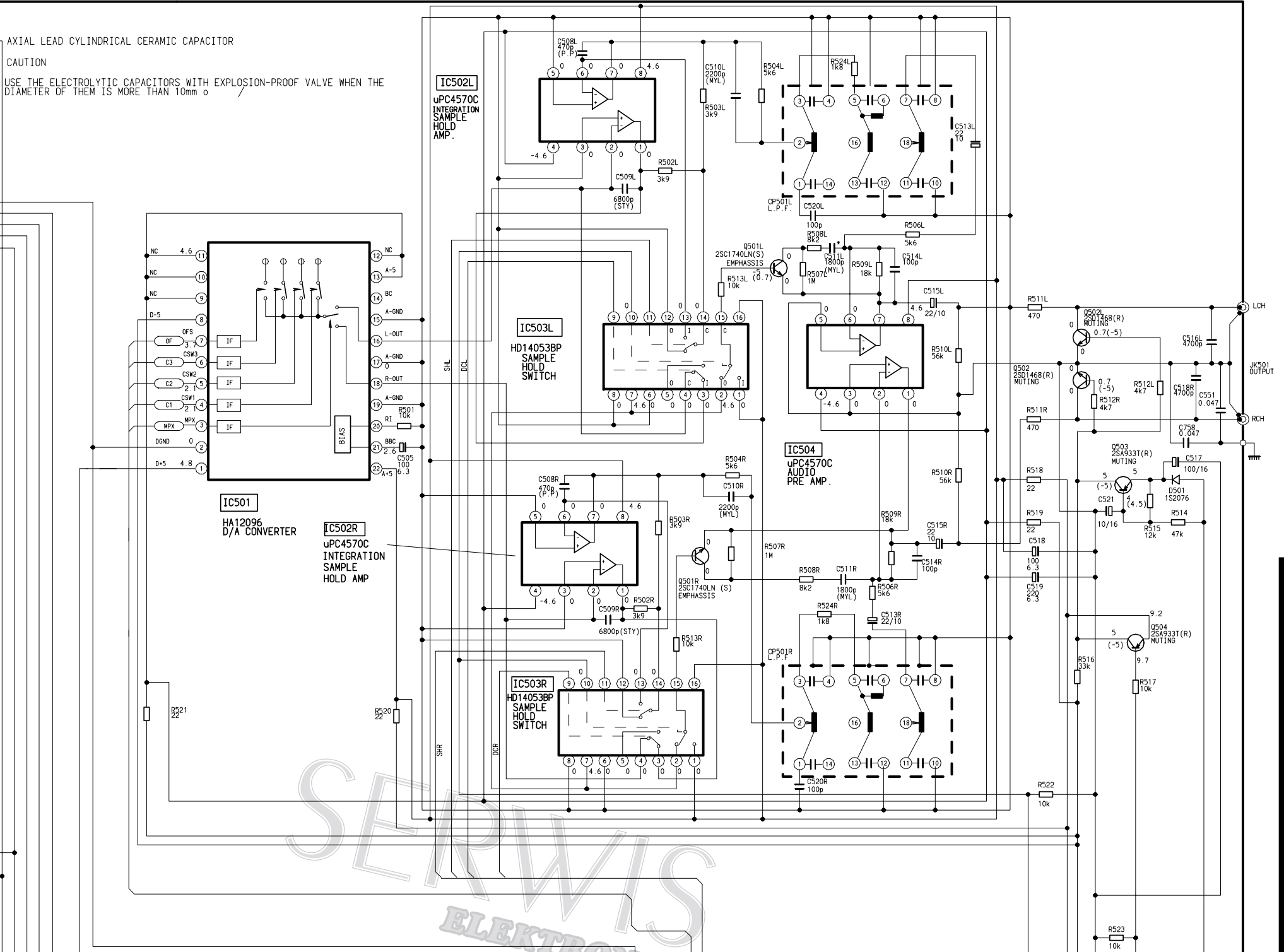
SERVUS

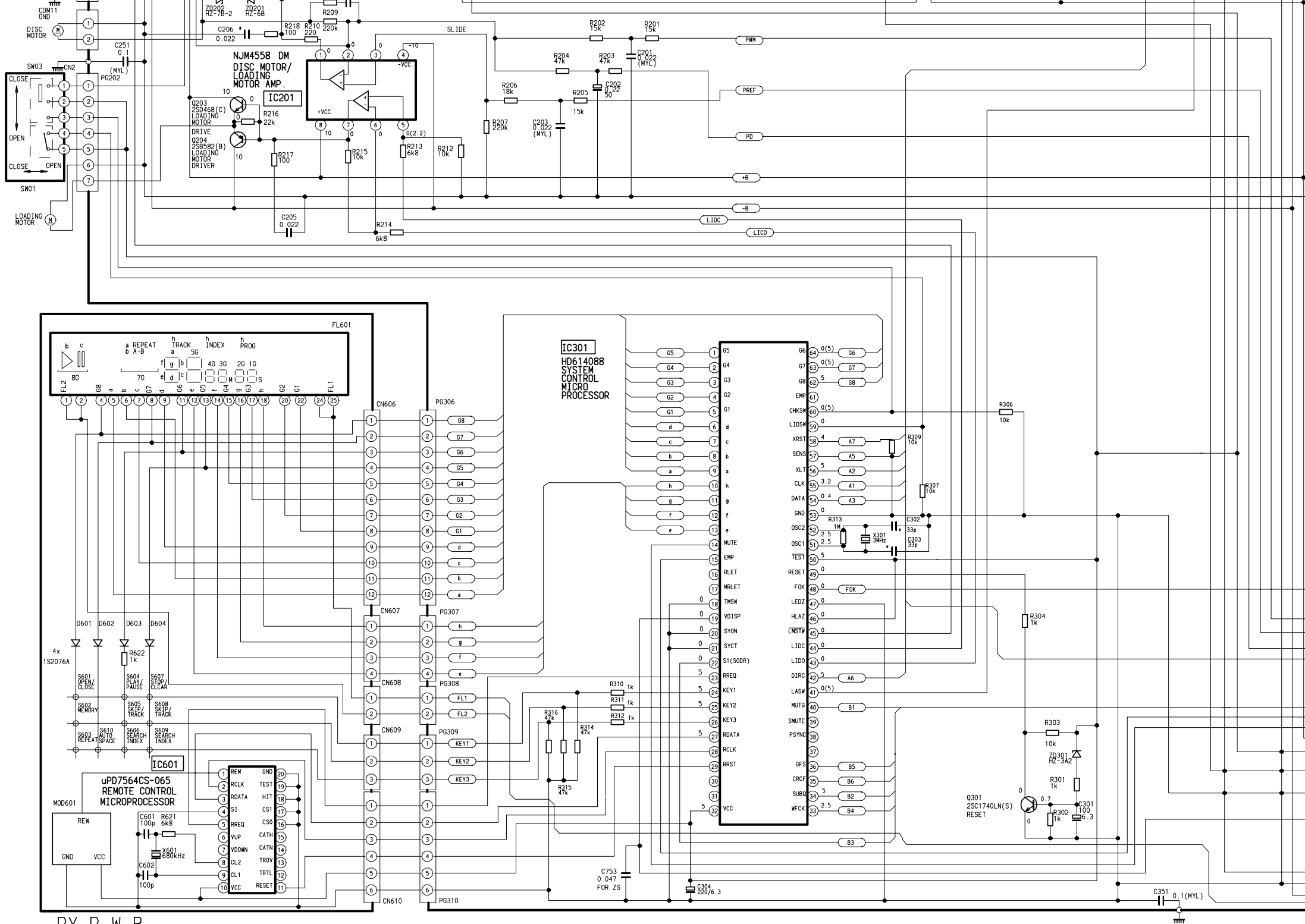
ELECTRONICS

AXIAL LEAD CYLINDRICAL CERAMIC CAPACITOR

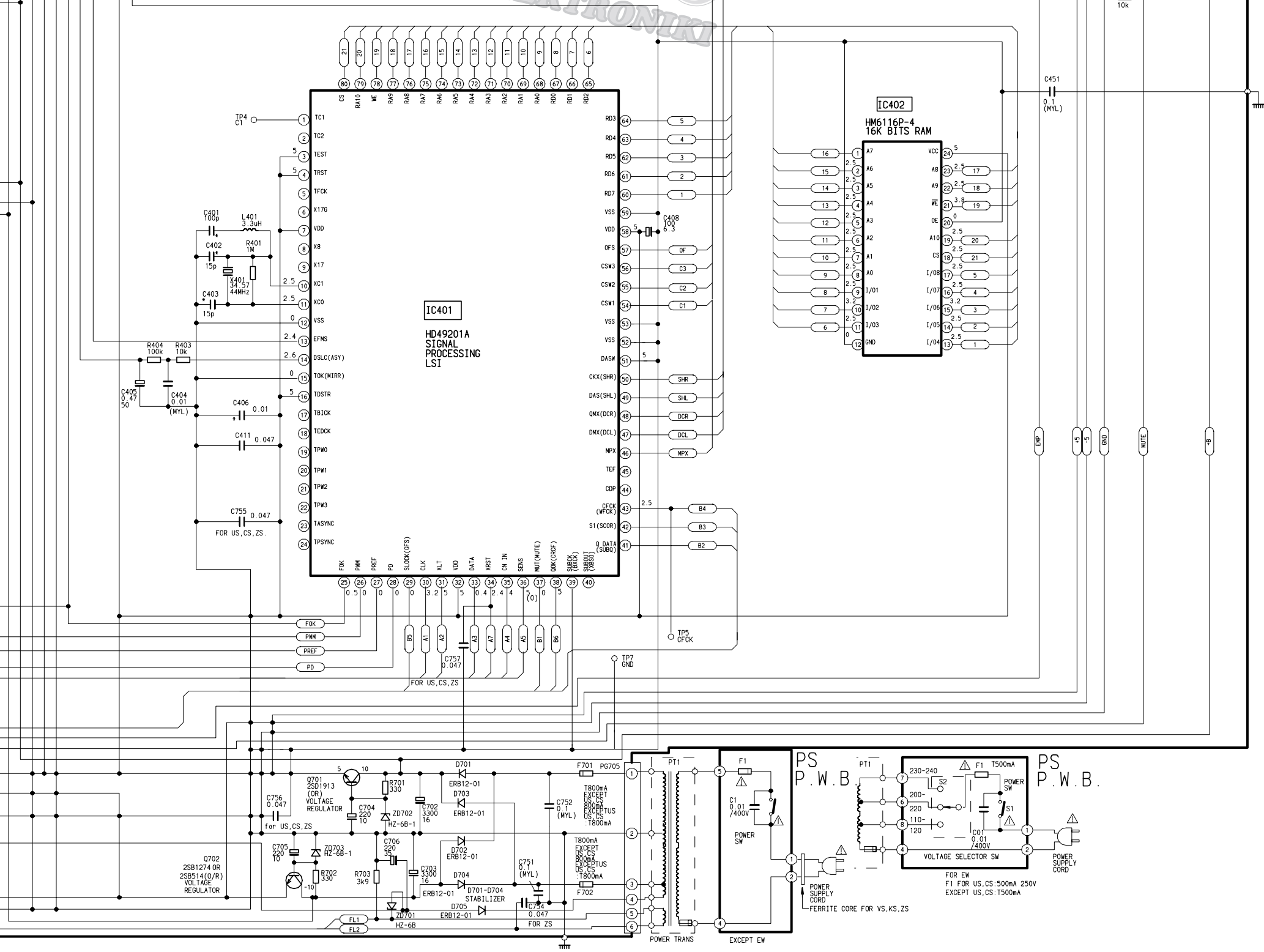
CAUTION

USE THE ELECTROLYTIC CAPACITORS WITH EXPLOSION-PROOF VALVE WHEN THE DIAMETER OF THEM IS MORE THAN 10mm ϕ





PY P.W.B.



Odtwarzacz CD Hitachi DA-7000, DA-