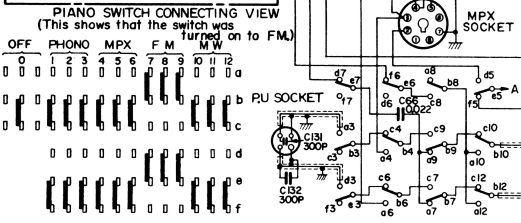
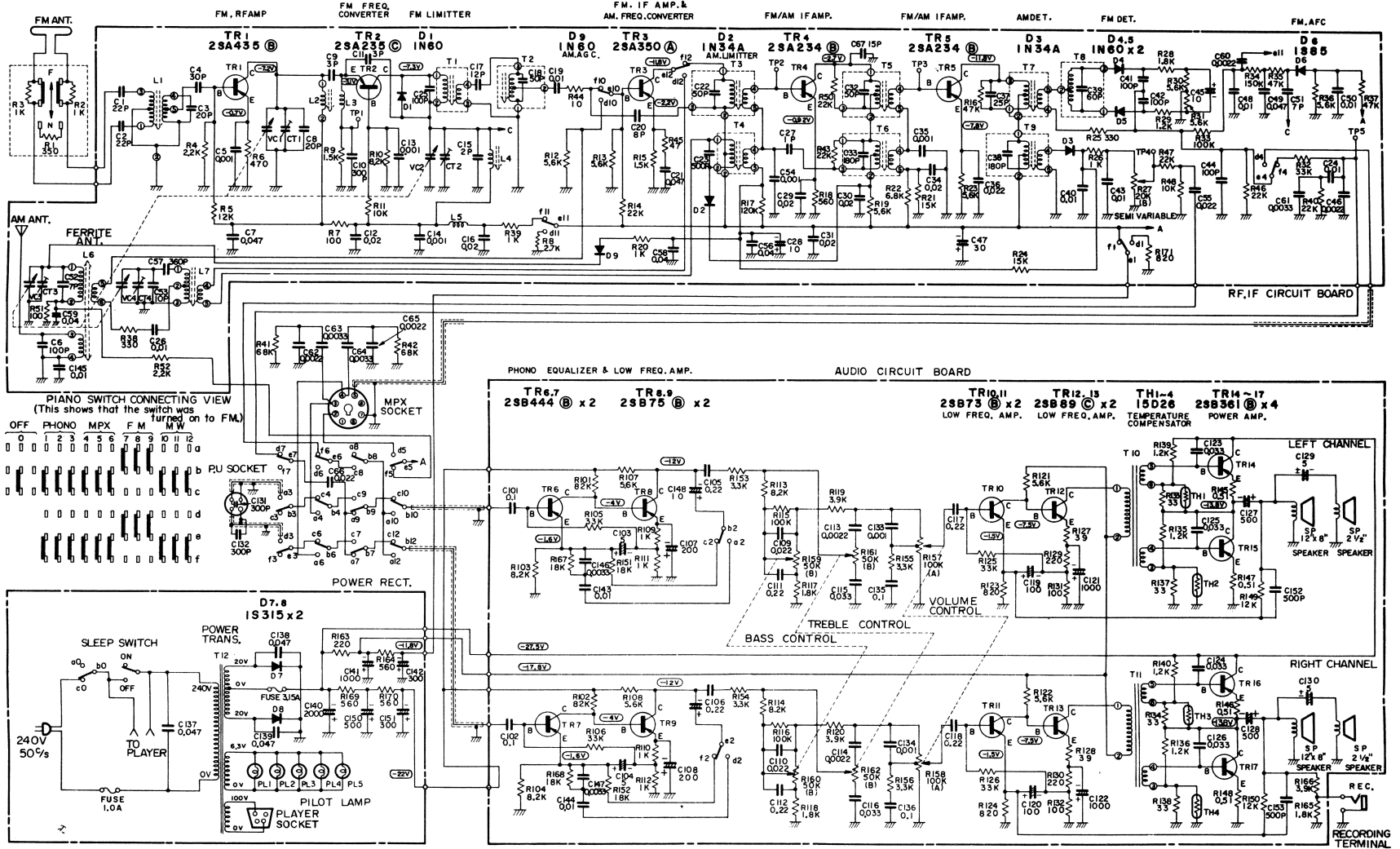
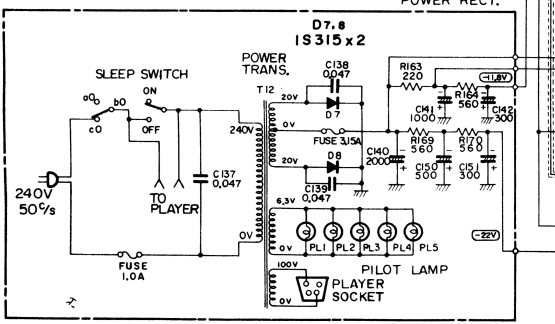
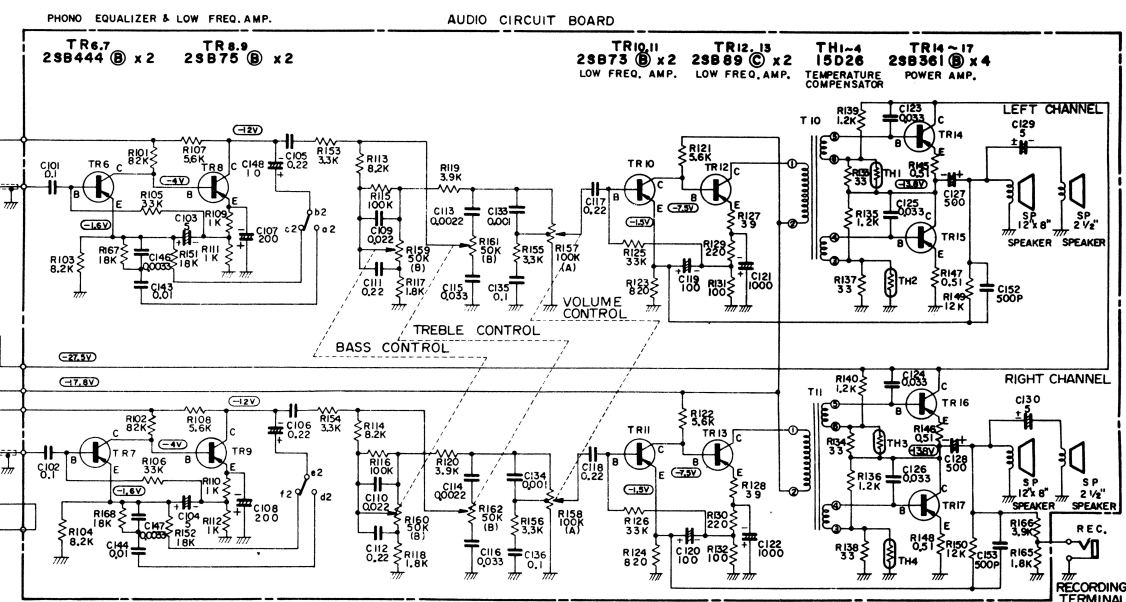
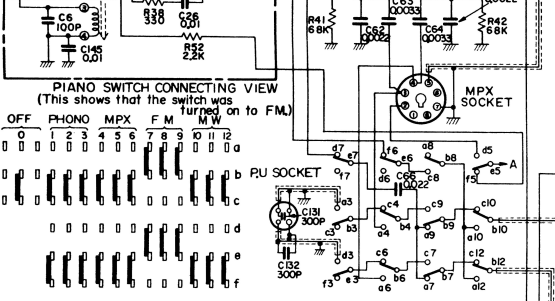
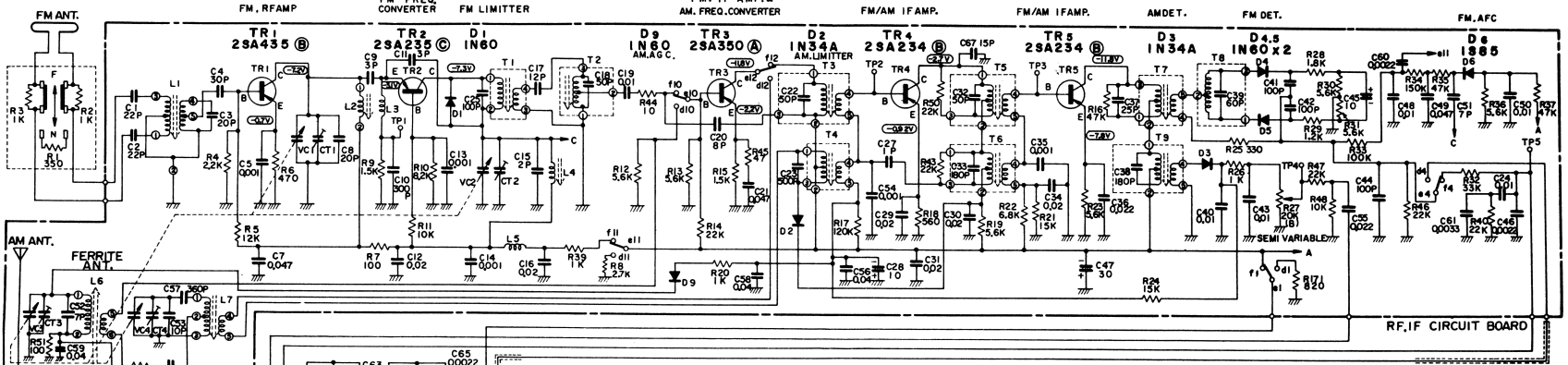


HITACHI STEREO PHONOGRAPH MODEL DPF-7200 CIRCUIT DIAGRAM



NOTE: Some 2SB361(A) is used in the transistors (TR14 thru 17).
In this case, ohm of R135 R139 R136 and R140 is 1K Ω .

HITACHI STEREO PHONOGRAPH MODEL DPF-7200 CIRCUIT DIAGRAM



NOTE: Some 2SB361(A) is used in the transistors (TR14 thru 17).
In this case, ohm of R135 R139 R136 and R140 is 1KΩ.