

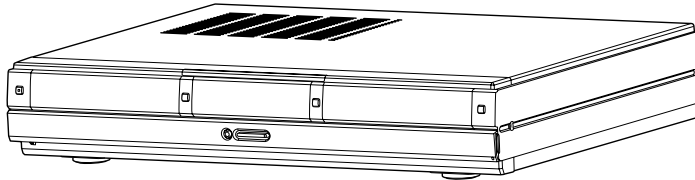
HITACHI

SERVICE MANUAL

TK

No.9006E

DV-W1U



SPECIFICATIONS AND PARTS ARE SUBJECT TO CHANGE FOR IMPROVEMENT

DVD PLAYER · CD RECORDER

May 2000

Digital Media Products Division, Tokai

SAFETY PRECAUTIONS

NOTICE:

Comply with all cautions and safety related notes located on or inside the cabinet and on the chassis.

1. When replacing a chassis in the instrument, all the protective devices must be put back in place, such as barriers, non-metallic knobs, adjustment and compartment covers/shields, isolation resistors/capacitors, etc.
2. When service is required, observe the original leadress. Extra precautions should be taken to assure correct lead dress in the high voltage circuit.
3. Always use the manufacturer's replacement components. Especially critical components as indicated on the circuit diagram should not be replaced by other manufacturer's. Furthermore, where a short-circuit has occurred, replace those components that indicate evidence of overheating.
4. Before returning an instrument to the customer, the service technician must thoroughly test the unit to be certain that it is completely safe to operate without danger of electrical shock, and be sure that no protective device built into the instrument by the manufacturer has become defective or inadvertently defeated during servicing. Therefore, the following checks should be performed for the continued protection of the customer and service technician.

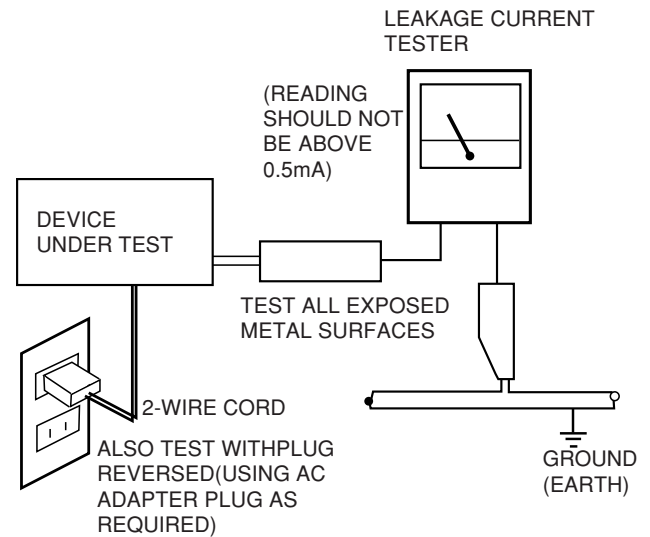
Leakage Current Cold Check

With the AC plug removed from the AC120V, 60Hz source, place a jumper across the two plug prongs. Turn the AC power switch on. Using an insulation tester (DC500V), connect one lead to the jumpered AC plug and touch the other lead to exposed metal parts (antennas, screwheads, metal overlays, control shafts, etc.), particularly any exposed metal part having a return path to the chassis. Exposed metal parts having a return path to the chassis should have a minimum resistor reading of 0.3 Mohm and a maximum resistor reading of 5 Mohm. Any resistor value below or above this range indicates an abnormality which requires corrective action. Exposed metal parts not having a return path to the chassis will indicate an open circuit.

Leakage Current Hot Check

Plug the AC line cord directly into a AC120V, 60Hz outlet (do not use an isolation transformer for this check).

Turn the AC power switch on. Using a "Leakage Current Tester", measure for current from all exposed metal parts of the cabinet (antennas, screwheads, metal overlays, control shaft, etc.), particularly an exposed metal part having a return path to the chassis, to a known ground (earth) (water pipe, conduit, etc.). Any current measured must not exceed 0.5 mA.



AC Leakage Test

ANY MEASUREMENTS NOT WITHIN THE LIMITS OUTLINED ABOVE ARE INDICATIVE OF A POTENTIAL SHOCK HAZARD AND MUST BE CORRECTED BEFORE RETURNING THE UNIT TO THE CUSTOMER.

PRODUCT SAFETY NOTICE

Many electrical and mechanical parts have special safety-related characteristics. These are often not evident from visual inspection nor can the protection afforded by them necessarily be obtained by using replacement components rated for a higher voltage, wattage, etc. Replacement parts which have these special safety characteristics are identified in this Service Manual. Electrical components having such features are identified by marking with a ⚠ on the schematics and the parts list in this Service Manual. The use of a substitute replacement component which does not have the same safety characteristics as the HITACHI recommended replacement one, shown in the parts list in this Service Manual, may create shock, fire, or other hazards. Product safety is continuously under review and new instructions are issued from time to time. For the latest information, always consult the current HITACHI Service Manual. A subscription to, or additional copies for, HITACHI Service Manual may be obtained at a nominal charge from HITACHI SALES CORPORATION.

Notes When Using Service Manual

The following shows the contents to be noted when using service manual:

1. Value units used in parts list

Certain symbols are indicated below for value units of resistors, capacitors and coils in parts list. When you read them note the following regular indications:

Parts	Indication in list	Regular indication
Resistor	KOHM	kΩ
Capacitor	UF	μF
	PF	pF
Coil	UH	μH
	MH	mH

2. Values in schematic diagrams

The values, dielectric strength (power capacitance) and tolerances of the resistors (excluding variable resistors) and capacitors are indicated in the schematic diagrams using abbreviations.

[Resistors]

Item	Indication
Value	No indication Ω
	K kΩ
	M MΩ
Tolerance	No indication ±5% (All tolerances other than ±5% are indicated in schematic diagrams)
	No indication 1/8W (1/16W for leadless resistors without indication) All capacitances other than the above are indicated in schematic diagrams.

[Capacitors]

Item	Indication
Value	No indication μF
	P pF
Dielectric strength	No indication 50V (All dielectric strengths other than 50V are indicated in schematic diagrams)

[Coils]

Item	Indication
Value	μ μH
	m mH

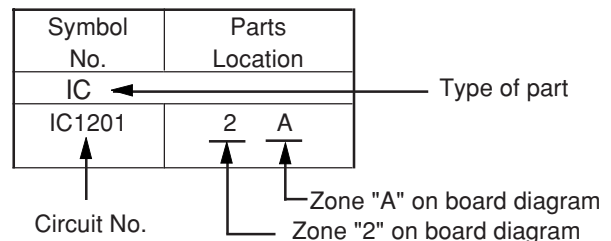
3. Identifications of sides A/B in circuit board diagrams

- Board having a pattern on one side and parts on both sides.
 - Side A: Shows discrete parts, viewed from the pattern side.
 - Side B: Shows leadless parts, viewed from the pattern side.
- Board having patterns on both sides and parts on both sides.
 - Side A: Shows parts and patterns which can be seen when the case is opened.
 - Side B: Shows parts and the pattern on the back of side A.

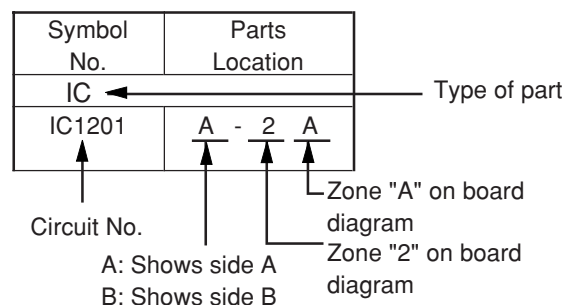
4. Table for indexing locations of parts

This table shows locations of each part on circuit board diagrams. The locations are indicated using the guide scales on the external lines of diagrams.

- One diagram indicated for each board



- Two diagrams indicated for each board



CONTENTS

CHAPTER 1 GENERAL INFORMATION

1. Specifications	1-1
2. Comparison with Previous Model	1-2
3. Troubleshooting	1-4
3-1. VIDEO CIRCUIT	1-4
3-2. AUDIO CIRCUIT	1-5
3-3. RECORDER AUDIO CIRCUIT	1-6
4. Instructions on Use	1-7

CHAPTER 2 DISASSEMBLY

1. Before Starting Disassembly	2-1
2. Disassembly Method	2-1
Parts Hierarchy Chart	2-1
Disassembly Procedure Diagrams	2-2
2-1. Side cover(L),(R) and Top cover	2-2
2-2. Rear panel	2-2
2-3. JAK and REG board	2-3
2-4. Front cover, IF, FLHP, SW-DVD and SW-CDR board	2-3
2-5. DVD-ROM and DEC board	2-4
2-6. CD-R and Bottom cover	2-4

CHAPTER 3 EXPLODED VIEW

1. CABINET SECTION	3-1
--------------------------	-----

CHAPTER 4 REPLACEMENT PARTS LIST

1. MECHANICAL PARTS LIST	4-1
2. ELECTRICAL PARTS LIST	4-1

CHAPTER 5 SCHEMATIC, CIRCUIT BOARD AND BLOCK DIAGRAMS

CONNECTION DIAGRAM	5-1
SCHEMATIC/CIRCUIT BOARD	
LCD DISPLAY[FLPH]	5-3 / 5-25
DVD SWITCH[SW-DVD]	5-5 / 5-20
CDR SWITCH[SW-CDR]	5-5 / 5-20
INTERFACE[IF]	5-6 / 5-23
REAR JACK[JAK]	5-7 / 5-21
REGURATOR[REG]	5-9 / 5-23
DECK-1[DEC]	5-11 / 5-16
DECK-2[DEC]	5-13 / 5-16
BLOCK DIAGRAM	5-27

1. Specifications

General	Operating Laser Semi-conductor laser: Wave length 650nm (DVD) 780nm (CD,VCD) Power supply AC120V, 60Hz Power consumption 27W Stand-by power consumption 3.5W Weight 4.8kg Overall size 435(W)×330(D)×81(H)mm Allowable operating temperature +5°C~+35°C Allowable operating humidity 15~75%(no condensation)											
Component video output	Y output level 1 Vp-p (75 ohm) PB output level NTSC 0.7 Vp-p (75 ohm) PAL 0.698 Vp-p (75 ohm) PR output level NTSC 0.7 Vp-p (75 ohm) PAL 0.698 Vp-p (75 ohm) Output terminal pinj ack											
S Video output terminal	Y output level 1 Vp-p (75 ohm) C output level NTSC 0.286 Vp-p(75 ohm) PAL 0.3 Vp-p (75 ohm) Output terminal S terminal											
Video output	Output level 1 Vp-p (synchronous when loaded at 75 ohm) Output terminal pin jack											
Audio output	OUTPUT level 200m Vrms (1kHz, -20dB) Mixed 2ch OUTPUT 1 system (pin jack × 2) 5.1 ch OUTPUT 1 system (pin jack × 6) Sound characteristics <table border="1" data-bbox="678 1045 1469 1297"> <tr> <td>Frequency characteristics</td> <td>CD: 4Hz~20kHz (EIAJ) DVD: 4Hz~22kHz (48k sampling) 4Hz~44kHz (96k sampling)</td> </tr> <tr> <td>SN ratio</td> <td>110dB</td> </tr> <tr> <td>Dynamic range</td> <td>100dB</td> </tr> <tr> <td>Total harmonic distortion rate</td> <td>0.003%</td> </tr> <tr> <td>Wow fluttertics</td> <td>Measurement limit less than (±0.001% W.PEAK) (EIAJ)</td> </tr> </table>		Frequency characteristics	CD: 4Hz~20kHz (EIAJ) DVD: 4Hz~22kHz (48k sampling) 4Hz~44kHz (96k sampling)	SN ratio	110dB	Dynamic range	100dB	Total harmonic distortion rate	0.003%	Wow fluttertics	Measurement limit less than (±0.001% W.PEAK) (EIAJ)
Frequency characteristics	CD: 4Hz~20kHz (EIAJ) DVD: 4Hz~22kHz (48k sampling) 4Hz~44kHz (96k sampling)											
SN ratio	110dB											
Dynamic range	100dB											
Total harmonic distortion rate	0.003%											
Wow fluttertics	Measurement limit less than (±0.001% W.PEAK) (EIAJ)											
Audio input	Input level 200mVrms (1kHz, -20dB) 1 system (pin jack × 2)											
Other terminals	Digital Audio output Optical/Coaxial Coaxial terminal 1 (DTS/AC-3/MPEG2, LPCM, OFF commutable) Optical connector 1 Digital Audio input optical/coaxial Coaxial terminal 1 (DTS/AC-3/MPEG2, LPCM, OFF commutable) Optical connector 1											
Headphone output	Output level 15 mW, 32 ohm (mini jack)											
Accessories	Remote control unit 1 signal "AA" batteries 2 AV cord 1 Ferrite core 1											

Specification and exterior aspect of the model may be changed for improvements without advance notice.

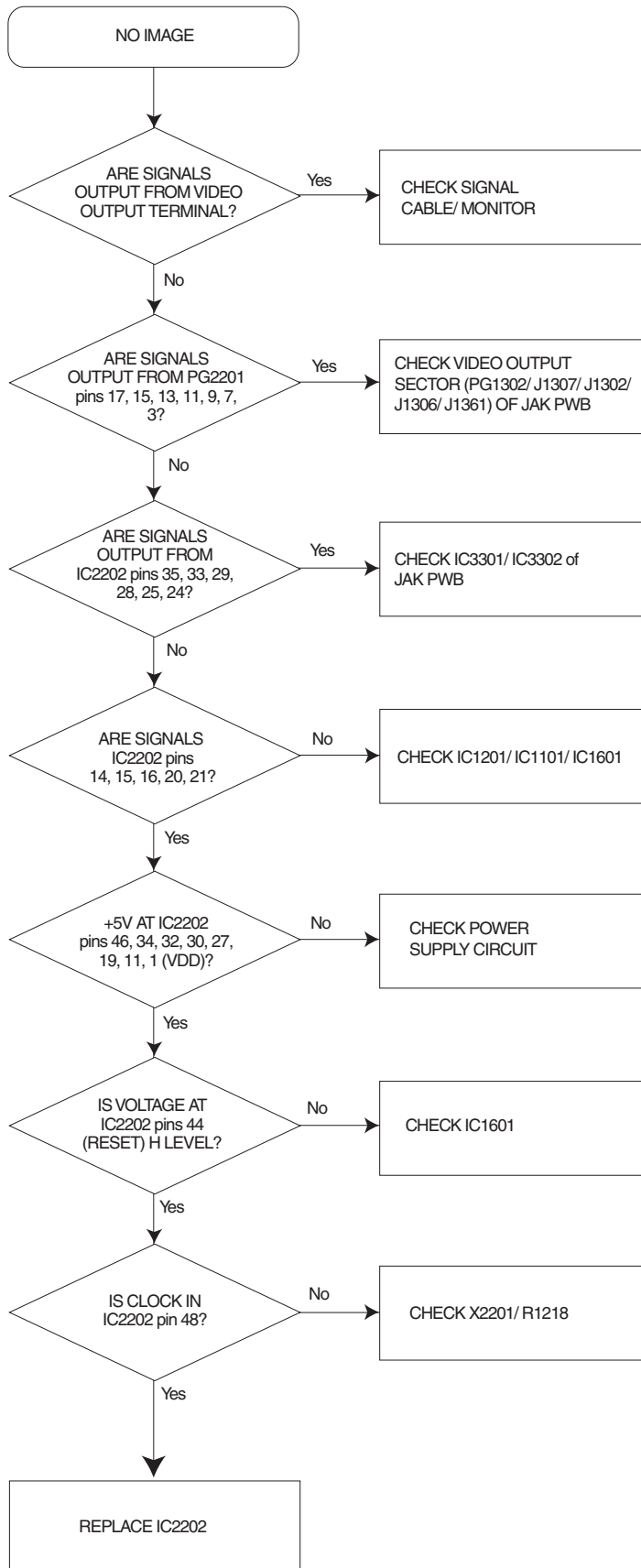
2. Comparison with Previous Model

	DV-W1U	DV-P250U
Dimension	435mm(W) × 330mm(D) × 81mm(H)	434mm(W) × 315mm(H) × 98mm(D)
Weight	4.8kg	3.9kg
Region Code	1	1
OSD languages	3 (English,French,Spanish)	3 (English,French,Spanish)
Playing Default	English	English
Power Requirement (Common Power Supply)	120V 60Hz	120V 60Hz
Power Consumption	27W	27W
Regulation	UL/CSA/FCC	UL/C-UL/FCC
Front-End Solution(Drive)	DVD:GD-2501(2-laser 2-lens)- CD-R/RW:CRD-RA1WO2	GD-2501
Remote Controller	w/ Jog/Shuttle	w/o Jog/ Shuttle
Playable Disc Type		
DVD/VCD/CD-DA	O/O/O	O/O/O
CVD/SVCD/DVCD	O/O/(O)	O/O/(O)
CD-R/CD-RW	O/O	O/O
Disc Size	8cm/12cm	8cm/12cm
PAL/NTSC Disc	O/O	O/O
RAM Read	—	—
Recordable Disc Type		
CD-R/CD-RW for Audio	O/O	—
Video		
Universal Video Output Select	Auto/NTSC/PAL/PAL60	Auto/NTSC/PAL/PAL60
Video Digital to Analog Converter	10 bit	10 bit
Video Default	NTSC	NTSC
Black Level Select (0/7.5) by Setup Menu	O	O
Closed Caption for NTSC DVD	O	O
S-Video Output Connector	×1	×1
Component Video Output Connector (US pin)	×1	×1
Composite Video Output Connector	×1	×1
D Terminal	—	—
SCART Connector	×1	—
SCART RGB Signal ON/OFF by Setup Menu	—	O
Sharpness Select by Setup Menu	Sharp, Natural, Soft	Sharp, Natural, Soft
Still picture selection with Setup Menu	Auto, Hi-Resolution, Flickerless	Auto, Hi-Resolution, Flickerless
Y-Level Control by Setup Menu	O	—
HUE Level Control by Setup Menu	O	—
Sharpness Control (Picture Button by Remote Control)	O	—
Hue Control (Picture Button by Remote Control)	O	—
Audio		
Audio Digital to Analog Converter	96kHz/24bit	96kHz/24bit
Audio output Connector	2ch L/R+5.1ch	2ch L/R+5.1ch
Digital Audio Output-Optical	×1	×1
Digital Audio Output-Coaxial	×1	×1
Headphone Jack with Volume Control	×1 (ø3.5 Jack)	—
New Karaoke	—	—
Mic Jack	—	—
MPEG2 Audio Down -Mix 2ch	Analog/LPCM	Analog/LPCM
MPEG2 Multi channel	Digital	Digital
AC-3 Audio Down-mix 2ch	Analog/LPCM	Analog/LPCM
AC-3 Dolby Multi Channel output	Analog/Digital	Analog/Digital
OSD Speaker Configuration	—	—
DTS Output	Digital	Digital
Dolby Pro Logic Decode	—	—
Virtual Surround (Spatializer N-2-2) 5.1ch Source	Analog	Analog

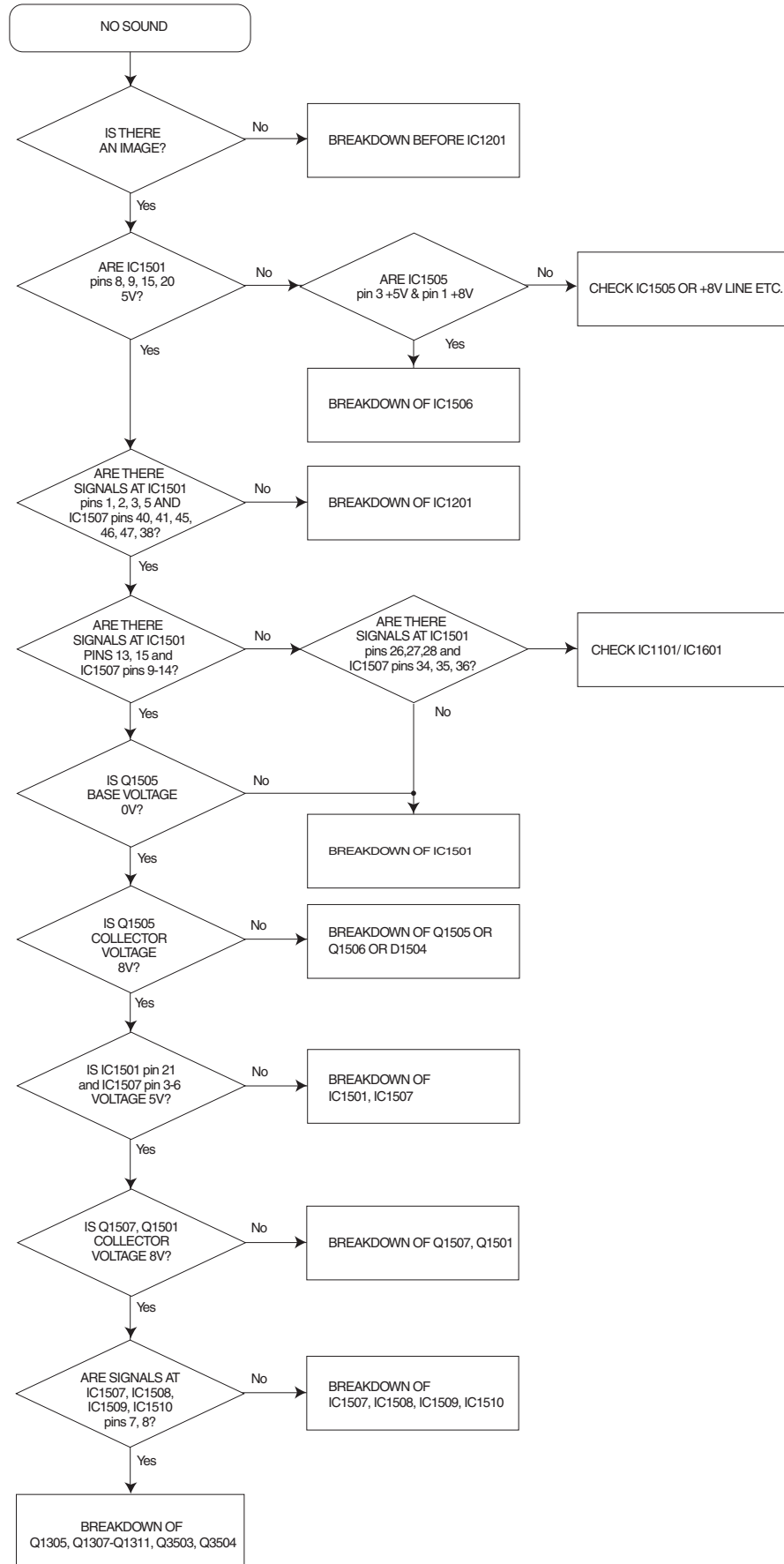
Virtual Surround (Wide)2ch Source	Analog	Analog
Surround Select by Remote Controller on/off	O	O
Dynamic Range Compression(only AC-3)	O	O
MP3 Read	—	—
Audio Input Connector	O	—
Digital Audio Input-Optical	O	—
Digital Audio Input-Coaxial	O	—
Playback Features		
Jog/Shuttle on Front Panel	—	O
New Disc Navigation	1 moving video without audio	O
Multi Speed Scan (Forward)	Forward 1/2,1/8, 1x (these with full-frame); 2x(IP search); 1x, 2x, 10x, 30x, 120x (these in search)	F 1/2, 1/8, 1x, 2x, 5x, 10x, 30x
Multi Speed Scan (Reverse)	Reverse 1x, 2x, 10x, 30x, 120x (these in search)	R 1x, 2x, 5x, 10x, 30x
Step Mode	Forward(full-frame), Reverse(I only)	F(Full Frame), R(I)
Parental Lock (DVD)	O	O
Zoom x2 x4 (DVD)	O (W/ Indicator)	O
Skip/Program and Random Play by Setup Menu	O	O
Repeat	Both DVD and CDR: A-B Repeat, DVD: Disc, Title/Chapter, Track (with VCD/CD)	O
Last Play (DVD)	16 any discs	16 any discs
Easy Play (Papa-Mamma Mode)	O	O
Recording Features (for Audio CD-R/RW)		
Digital high-speed dubbing (from CD-DA to CD-R/RW)	x2	—
Simple Dubbing Button	O	—
Recording Level Control for Analog Audio Input	O	—
Program Recording	O	—
Display/Operating Convenience		
OSD Display On/Off User Selectable	O	O
Screen Saver	O	O
Auto Power Off	O	O
VFD Dimming Select by Setup Menu	Bright, Dim, Dark, Auto Dimming	O
Accessories		
Remote Control Unit	O	O
Batteries 1 pair for Remote Controller	O	O
AV cable	O	O

3. Troubleshooting

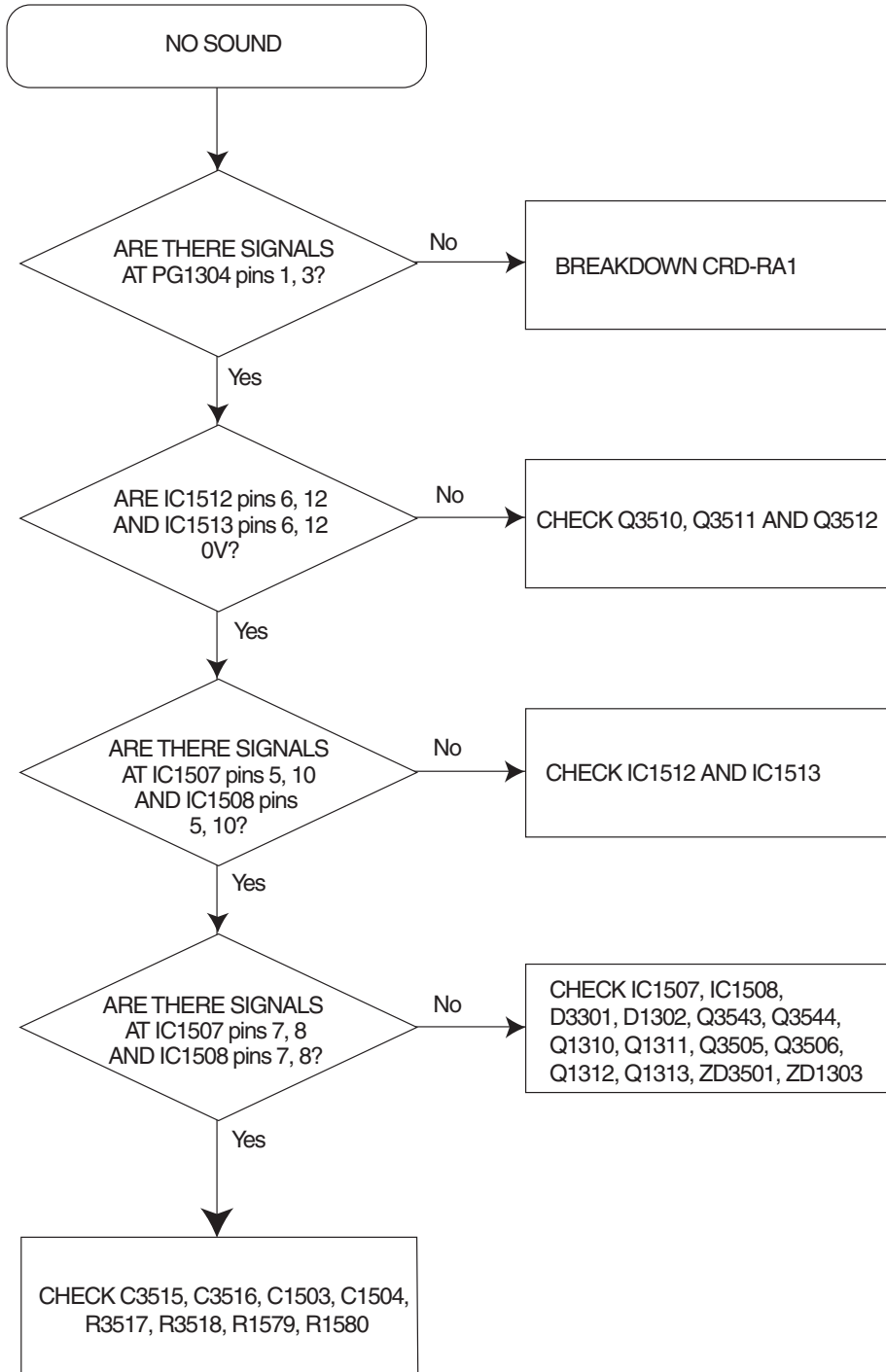
3-1. VIDEO CIRCUIT



3-2. AUDIO CIRCUIT



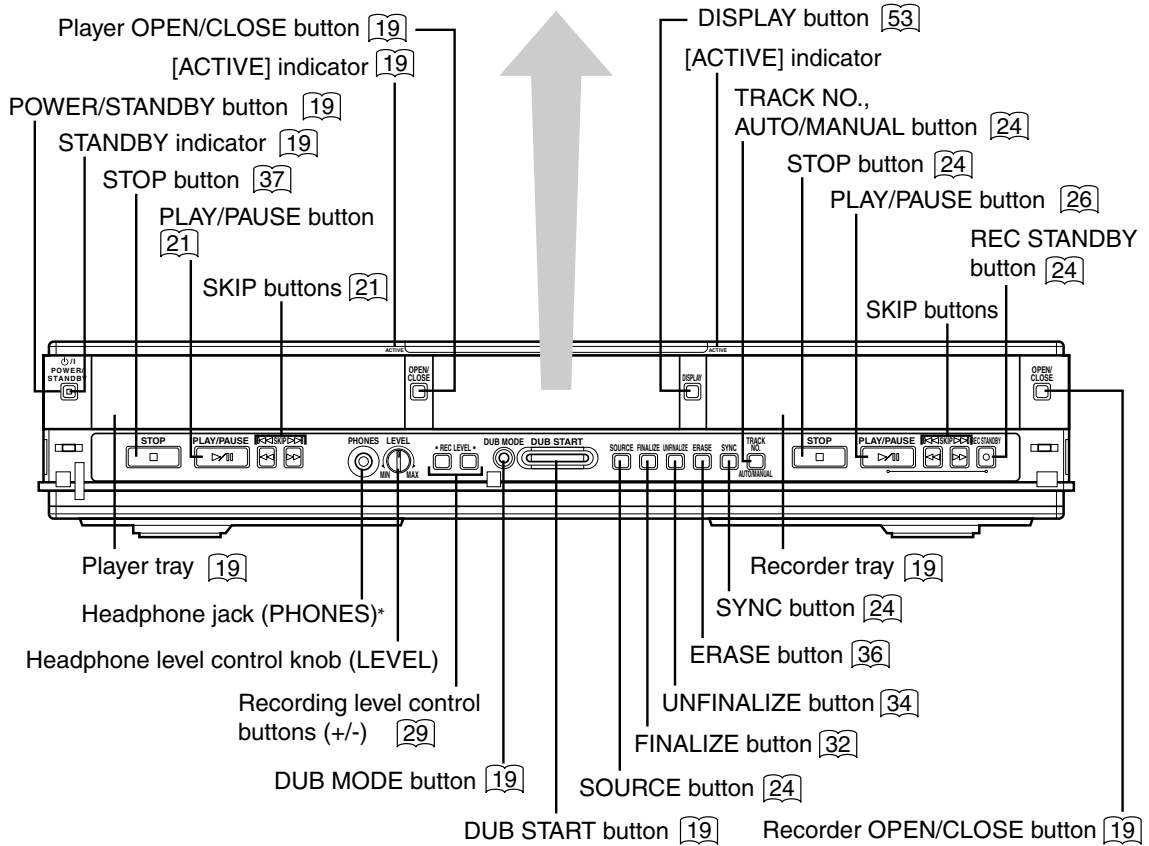
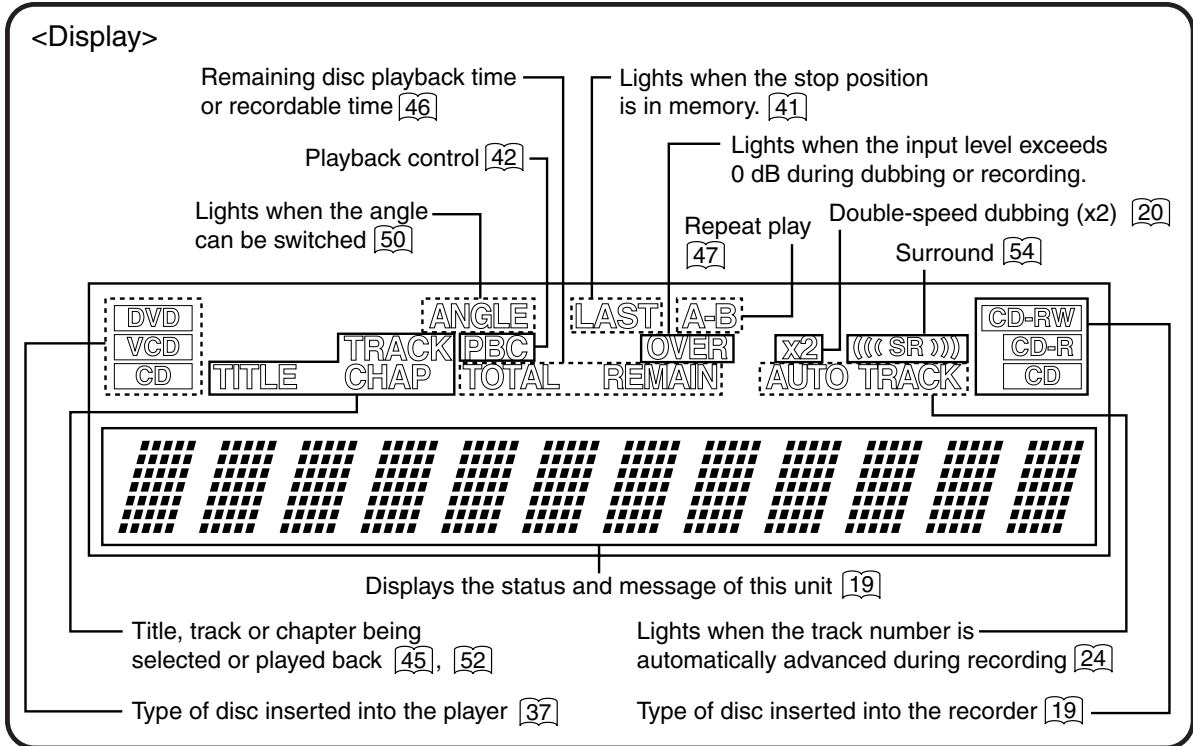
3-3. RECORDER AUDIO CIRCUIT



4. Instructions on Use

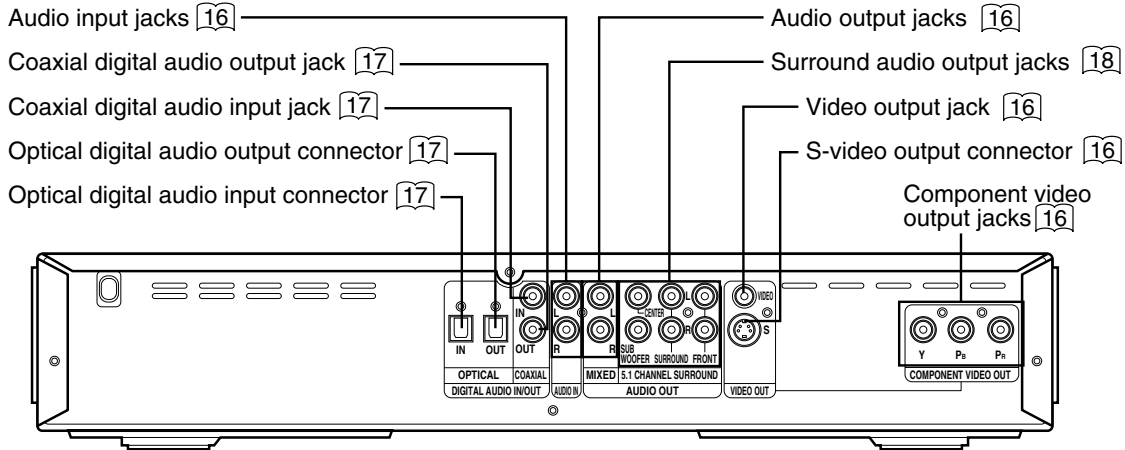
(The following are extracts from the instruction manual.)

FRONT

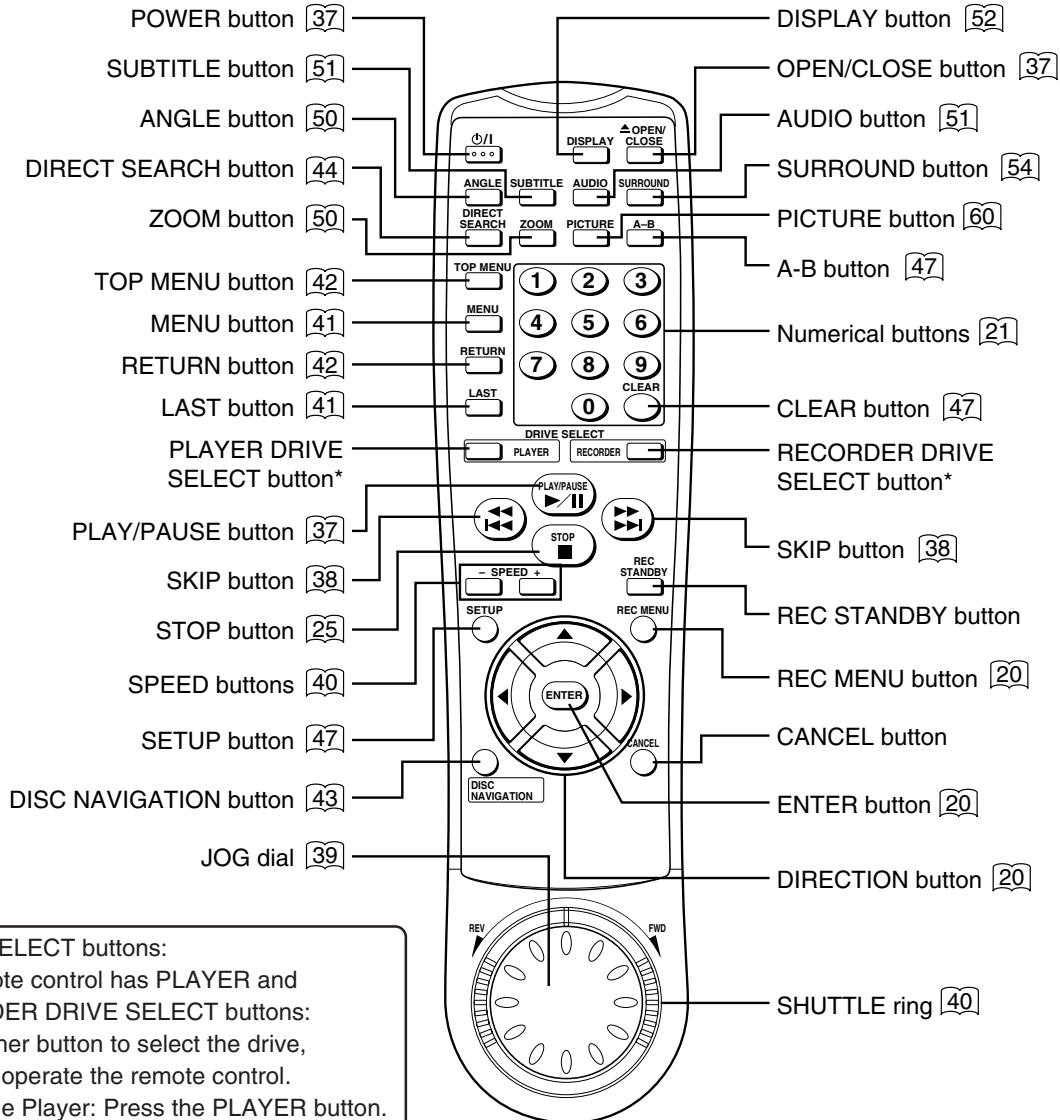


* In the case of headphones with L-shape plug, the plug will not fit into the jack correctly: Attach a (generally available) conversion plug to the L-shape plug.

REAR SIDE



REMOTE CONTROL



* DRIVE SELECT buttons:

The remote control has PLAYER and RECORDER DRIVE SELECT buttons: Press either button to select the drive, and then operate the remote control.

- To use the Player: Press the PLAYER button.
- To use the Recorder: Press the RECORDER button.

1. Before Starting Disassembly

- 1) Unplug the power cord from the AC outlet.
- 2) [Removal procedure]
If a special procedure is required when dismantling any component, it is indicated using numbers. Follow the numbers (1),(2),(3) ... shown in the illustrations.
[Reinstallation procedure]
Reinstall each component in the reverse order to removal when otherwise not specified.
- 3) Insert card connectors securely all the way as they are of the direct insertion type.

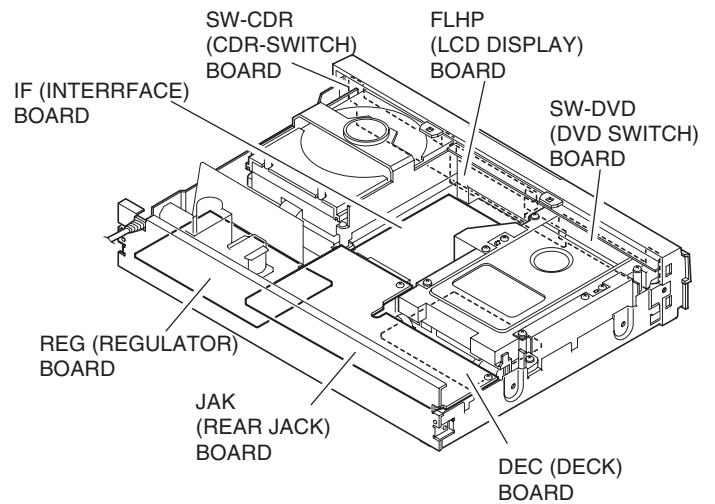


Fig. 1-1

2. Disassembly Method

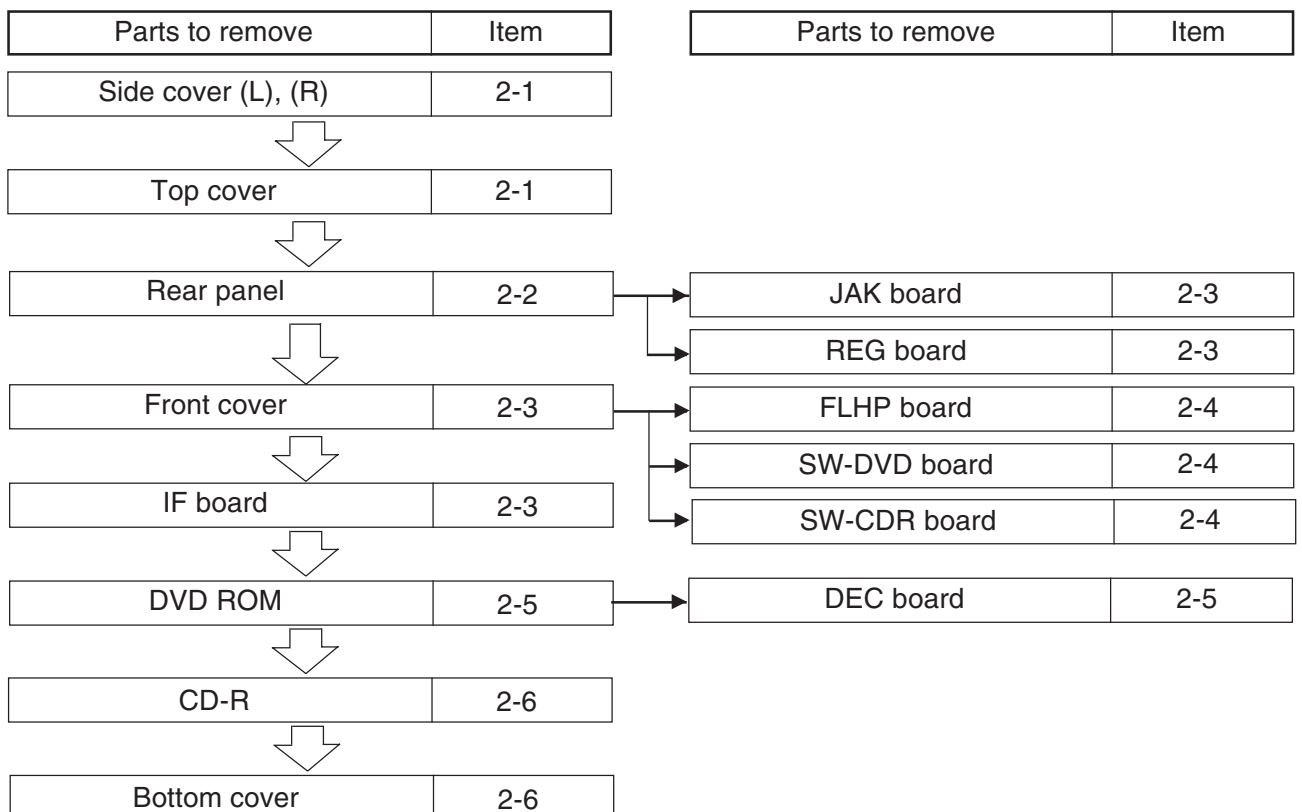
When replacing defective parts, first refer to the "Parts hierarchy chart" shown below. This chart shows the procedure for parts removal when replacing defective parts.

[How to use the parts hierarchy chart]

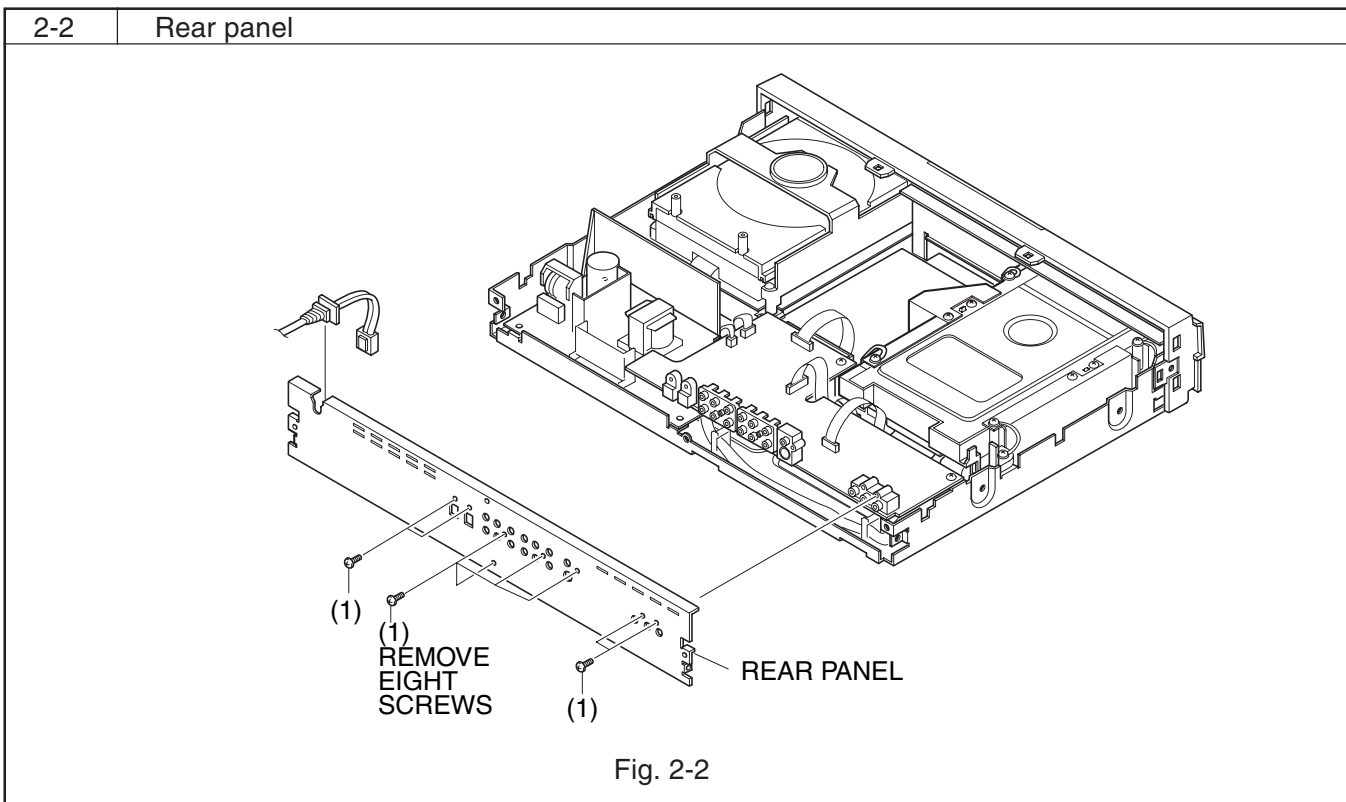
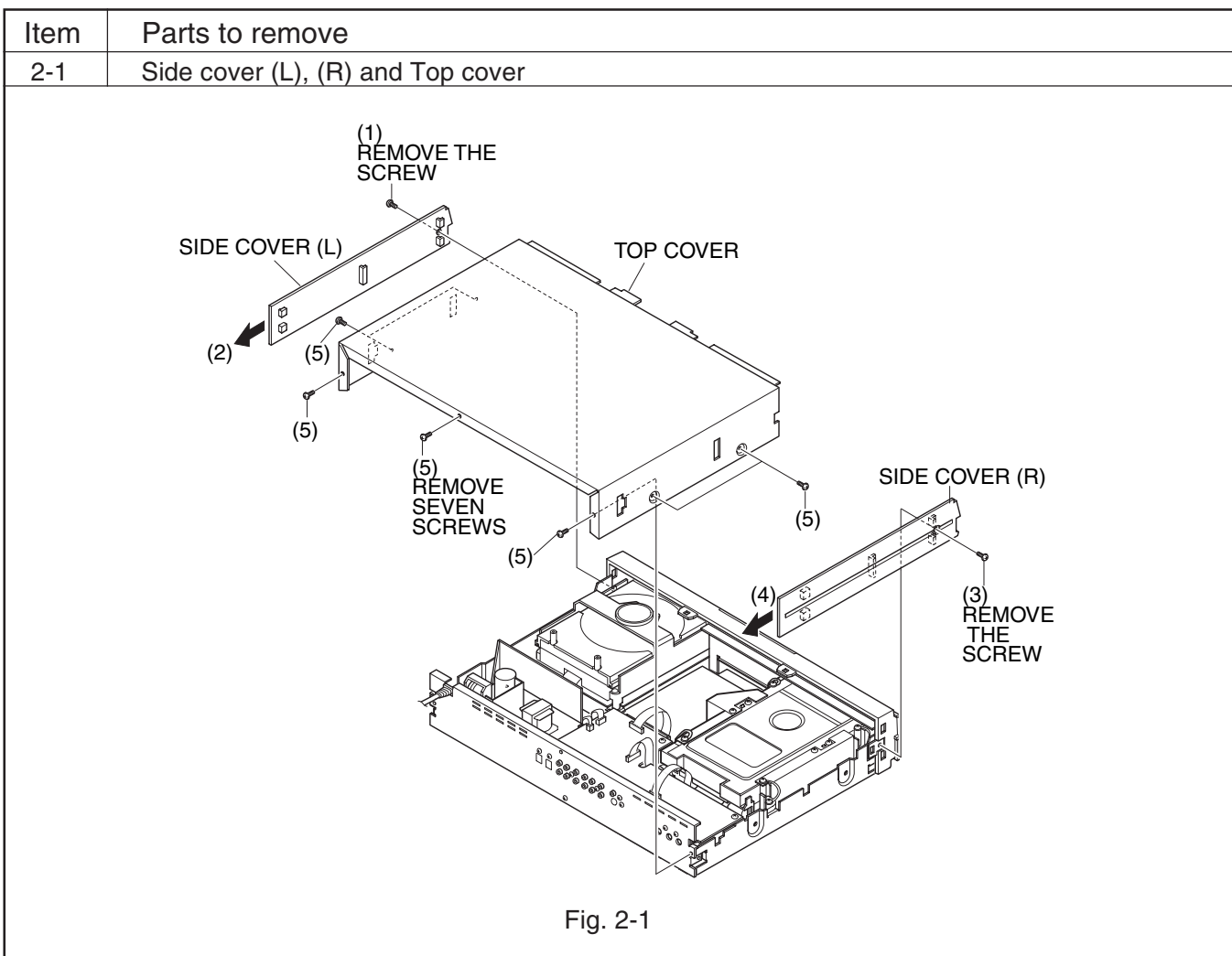
- (1) Locate the part to be replaced.
- (2) Check the parts in the ranks above the part to be replaced and start dismantling.
- (3) Replace the defective part and reinstall the parts in the reverse order to that shown in the parts hierarchy chart.

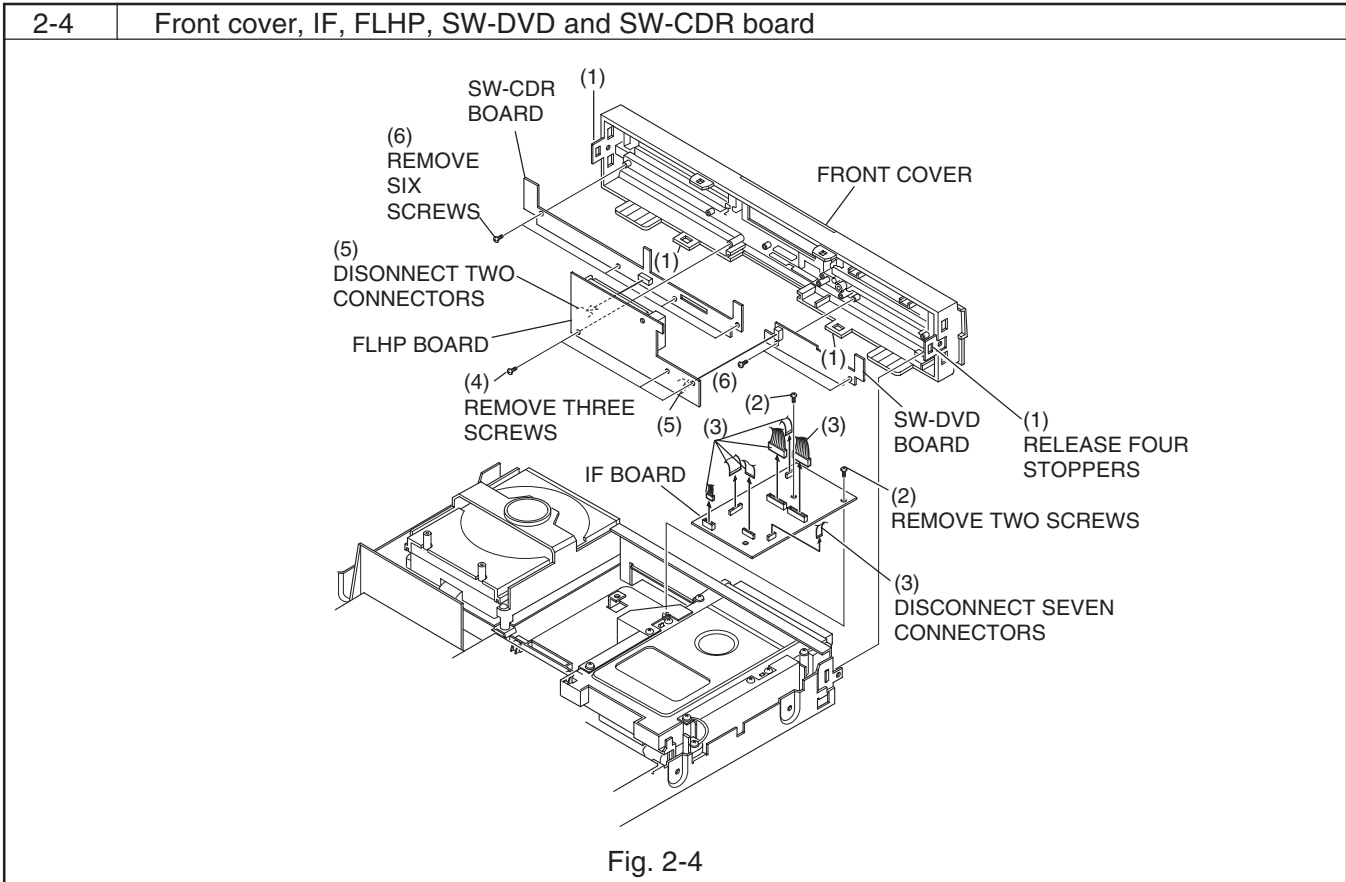
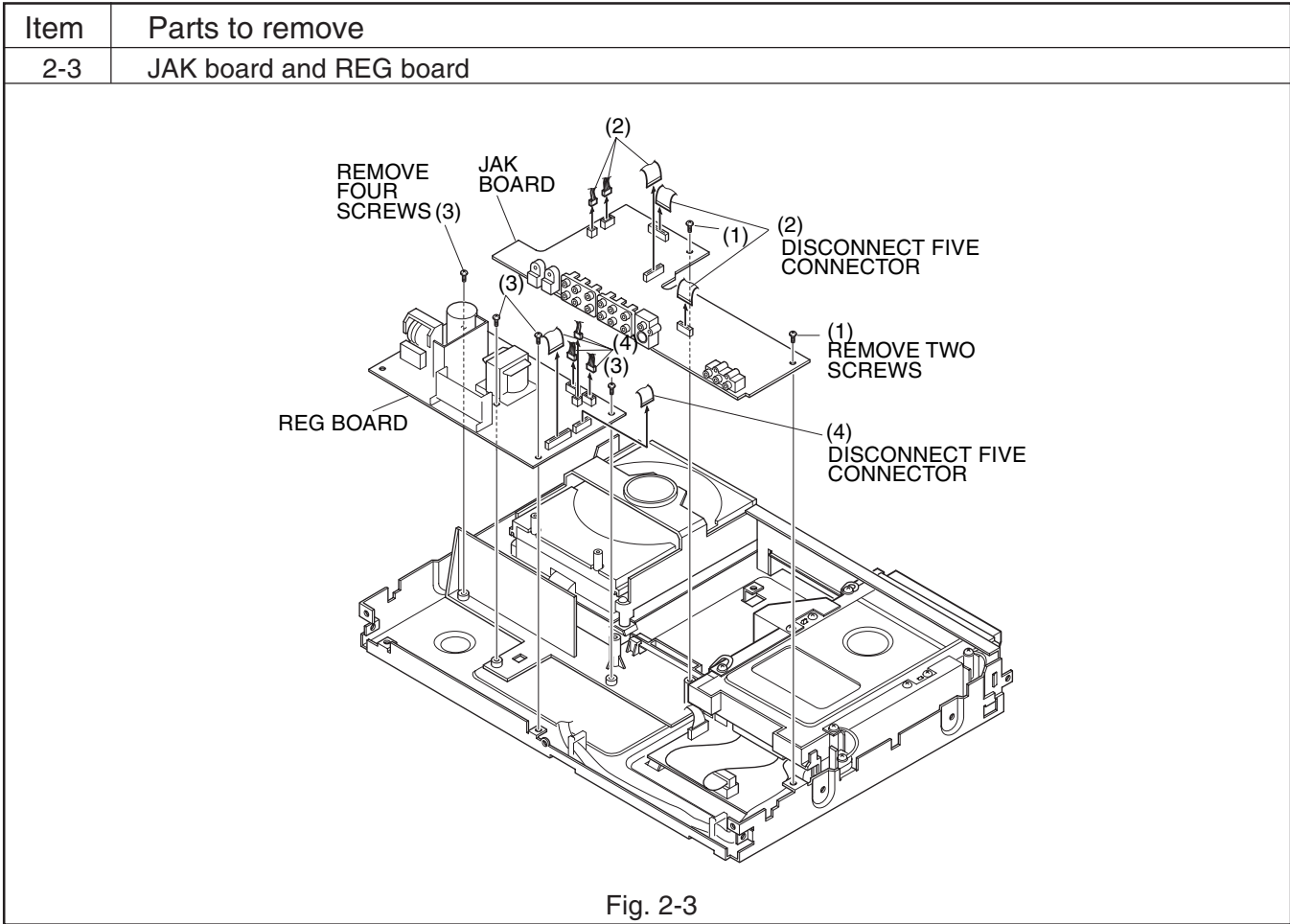
Parts Hierarchy Chart

Note: Dismantle parts in the eject state.



Disassembly Procedure Diagrams





Item	Parts to remove
2-5	DVD-ROM and DEC board

(4) REMOVE FOUR SCREWS

(5) DISCONNECT FIVE CONNECTORS

(1) REMOVE FOUR SCREWS

DEC BOARD

DVD-ROM

(2) DISCONNECT TWO CONNECTORS

Note: To open the tray of DVD-ROM drive, insert a Philips screwdriver into hole (A), and turn it clockwise.
Close the tray when removing the DVD-ROM drive.

(A)

Fig. 2-5

2-6	CD-R and Bottom cover
-----	-----------------------

(1)

(2)

(3) REMOVE FOUR SCREWS

CD-R

BOTTOM COVER

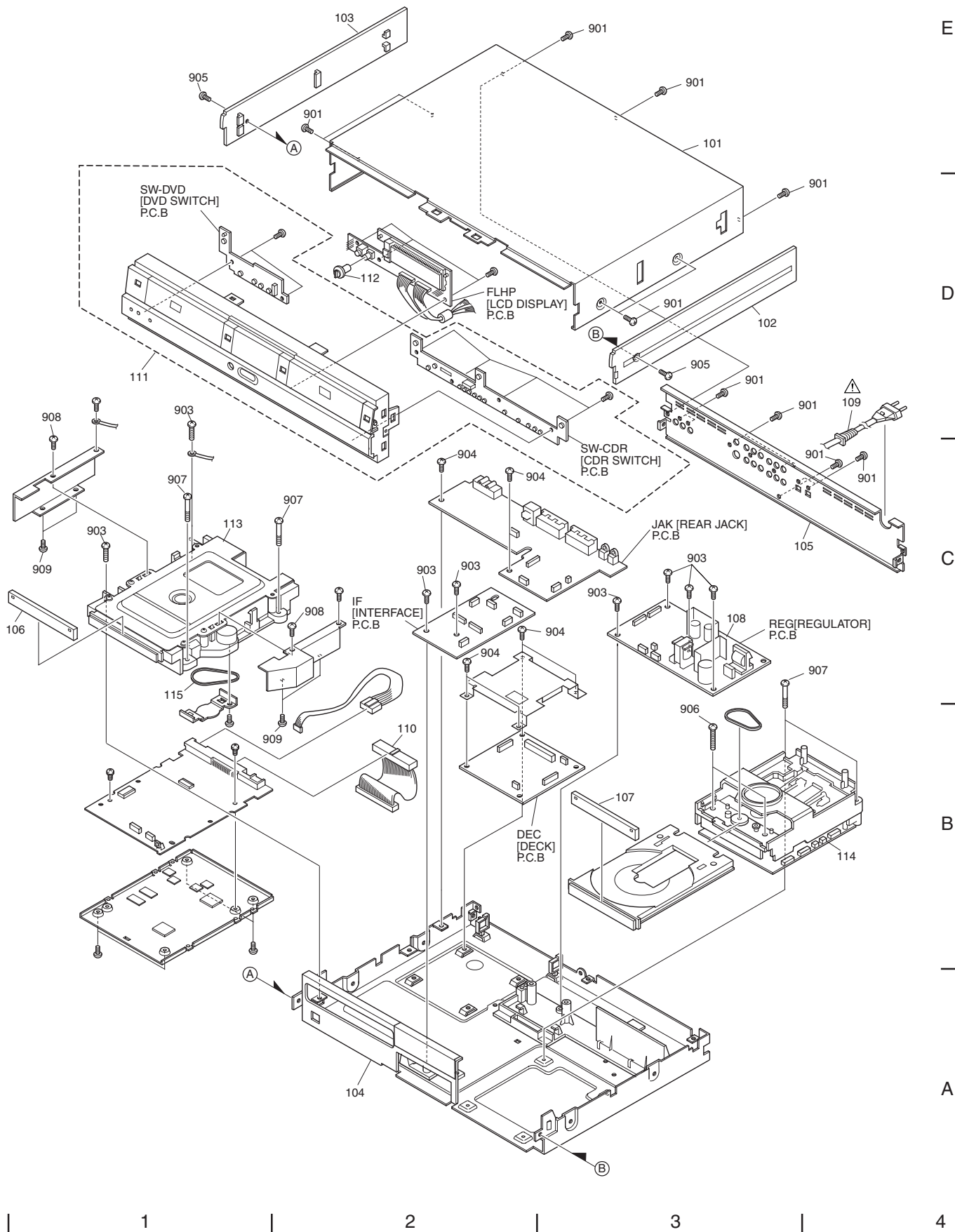
(4) DISCONNECT FIVE CONNECTORS

Notes:

1. To open the tray of CD-R drive, turn gear (1) under the tray counterclockwise.
2. Fully open the tray, and then remove the screws from the CD-R drive.

Fig. 2-6

1. CABINET SECTION



1. MECHANICAL PARTS LIST

2. ELECTRICAL PARTS LIST

SYMBOL NO	P-NO	DESCRIPTION	SYMBOL NO	P-NO	DESCRIPTION
MECHINISM SECTION			FLHP,IF,JAK BOARD		
			CAPACITORS		
101	PM10791	COVER, TOP	C1301	0800315	ELECTROLYTIC 47UF 6.3V
102	QD19081	COVER, SIDE(R)	C1302	0893008	CERAMIC CHIP 0.1UF +-10% 16V
103	QD19741	COVER, SIDE(L)	C1304	0800307	CERAMIC CAPACITOR 33UF+-20% 10V
104	UH10863	COVER, BOTTOM	C1305	0209903	CERAMIC CHIP 470PF+-5% 50V
105	PM10722	PLATE, REAR	C1306	0800315	ELECTROLYTIC 47UF 6.3V
106	QD19141	COVER, TRAY	C1307	0893008	CERAMIC CHIP 0.1UF +-10% 16V
107	QD19591	COVER, TRAY(S)	C1309	0893008	CERAMIC CHIP 0.1UF +-10% 16V
108	HA10454	POWER UNIT	C1310	0893018	CERAMIC CHIP 0.022UF+-10% 25V
△ 109	EV10812	CORD, AC	C1312	0893031	CERAMIC CHIP 1000PF+-10% 50V
110	EF11791	CONNECTOR	C1313	0893031	CERAMIC CHIP 1000PF+-10% 50V
111	QD18972	COVER, FRONT	C1314	0893031	CERAMIC CHIP 1000PF+-10% 50V
112	PC16711	KNOB, VOLUME	C1316	0893008	CERAMIC CHIP 0.1UF +-10% 16V
113	UQ23301	GD-2501WHA	C1317	0893033	CERAMIC CHIP 1500PF+-10% 50V
114	TS15291	CD-R(RA1W02AJ)	C1318	0893033	CERAMIC CHIP 1500PF+-10% 50V
115	KK10323	RUBBER BELT	C1319	0893014	CERAMIC CHIP 0.01UF+-10% 25V
901	8699408	SCREW	C1320	0893014	CERAMIC CHIP 0.01UF+-10% 25V
903	MK12042	SCREW	C1321	0893008	CERAMIC CHIP 0.1UF +-10% 16V
904	MK12041	3X6 BT BIND SCREW	C1322	0893014	CERAMIC CHIP 0.01UF+-10% 25V
905	MK12031	SCREW (DT3X8)	C1325	0893014	CERAMIC CHIP 0.01UF+-10% 25V
906	MK12032	BT BIND SCREW-3MMDX25MM	C1330	0800326	ELECTROLYTIC 100UF 16V
907	8691408	SCREW(3X33BT)	C1331	0893008	CERAMIC CHIP 0.1UF +-10% 16V
908	8691306	SCREW (2.6X6)	C1332	0893018	CERAMIC CHIP 0.022UF+-10% 25V
909	8741406	SCREW (3X6)	C1333	0800326	ELECTROLYTIC 100UF 16V
ACCESSORIES			C1334	0800315	ELECTROLYTIC 47UF 6.3V
802	HL11251	REMOTE HAND SET	C1335	0209848	CERAMIC DISC 150PF+-5% 50V
803	EW12143	CORD, 3PIN	C1338	0209880	CERAMIC CHIP 10PF+-0.5% 50V
			C1362	0800326	ELECTROLYTIC 100UF 16V
			C1374	AJ10267R	CERAMIC CAPACITOR 10000PF+-10% 50V
			C1557	AA00698R	CERAMIC CHIP 2.2UF+-10% 16V
			C1558	AA00698R	CERAMIC CHIP 2.2UF+-10% 16V
			C1559	0893042	CERAMIC CHIP 6800PF+-10% 50V
			C1560	0893042	CERAMIC CHIP 6800PF+-10% 50V
			C1561	0893036	CERAMIC CHIP 0.0027UF+-10% 50V
			C1562	0893036	CERAMIC CHIP 0.0027UF+-10% 50V
			C1563	0209906	CERAMIC DISC 820PF+-5% 50V
			C1564	0209906	CERAMIC DISC 820PF+-5% 50V
			C1565	0800326	ELECTROLYTIC 100UF 16V
			C1566	0800326	ELECTROLYTIC 100UF 16V
			C1567	0800317	ELECTROLYTIC 47UF 16V
			C1568	0800317	ELECTROLYTIC 47UF 16V
			C1571	0209903	CERAMIC CHIP 470PF+-5% 50V
			C1572	0209903	CERAMIC CHIP 470PF+-5% 50V
			C1583	0800299	ELECTROLYTIC 22UF 16V
			C1584	0800299	ELECTROLYTIC 22UF 16V
			C1585	AA00698R	CERAMIC CHIP 2.2UF+-10% 16V
			C1586	AA00698R	CERAMIC CHIP 2.2UF+-10% 16V
			C1589	0893036	CERAMIC CHIP 0.0027UF+-10% 50V
			C1590	0893036	CERAMIC CHIP 0.0027UF+-10% 50V
			C1591	0893031	CERAMIC CHIP 1000PF+-10% 50V
			C1592	0893031	CERAMIC CHIP 1000PF+-10% 50V
			C1593	0800326	ELECTROLYTIC 100UF 16V
			C1594	0800326	ELECTROLYTIC 100UF 16V
			C1595	0893011	CERAMIC CHIP 0.15UF+-10% 16V
			C1596	0893011	CERAMIC CHIP 0.15UF+-10% 16V
			C1597	0209903	CERAMIC CHIP 470PF+-5% 50V
			C1598	0209903	CERAMIC CHIP 470PF+-5% 50V
			C1701	0800154	ELECTROLYTIC 330UF 6.3V
			C1703	0893004	CERAMIC CHIP 0.047UF+-10% 16V
			C1704	0893008	CERAMIC CHIP 0.1UF+-10% 16V
			C1705	0800154	ELECTROLYTIC 330UF 6.3V
			C1707	0893008	CERAMIC CHIP 0.1UF +-10% 16V

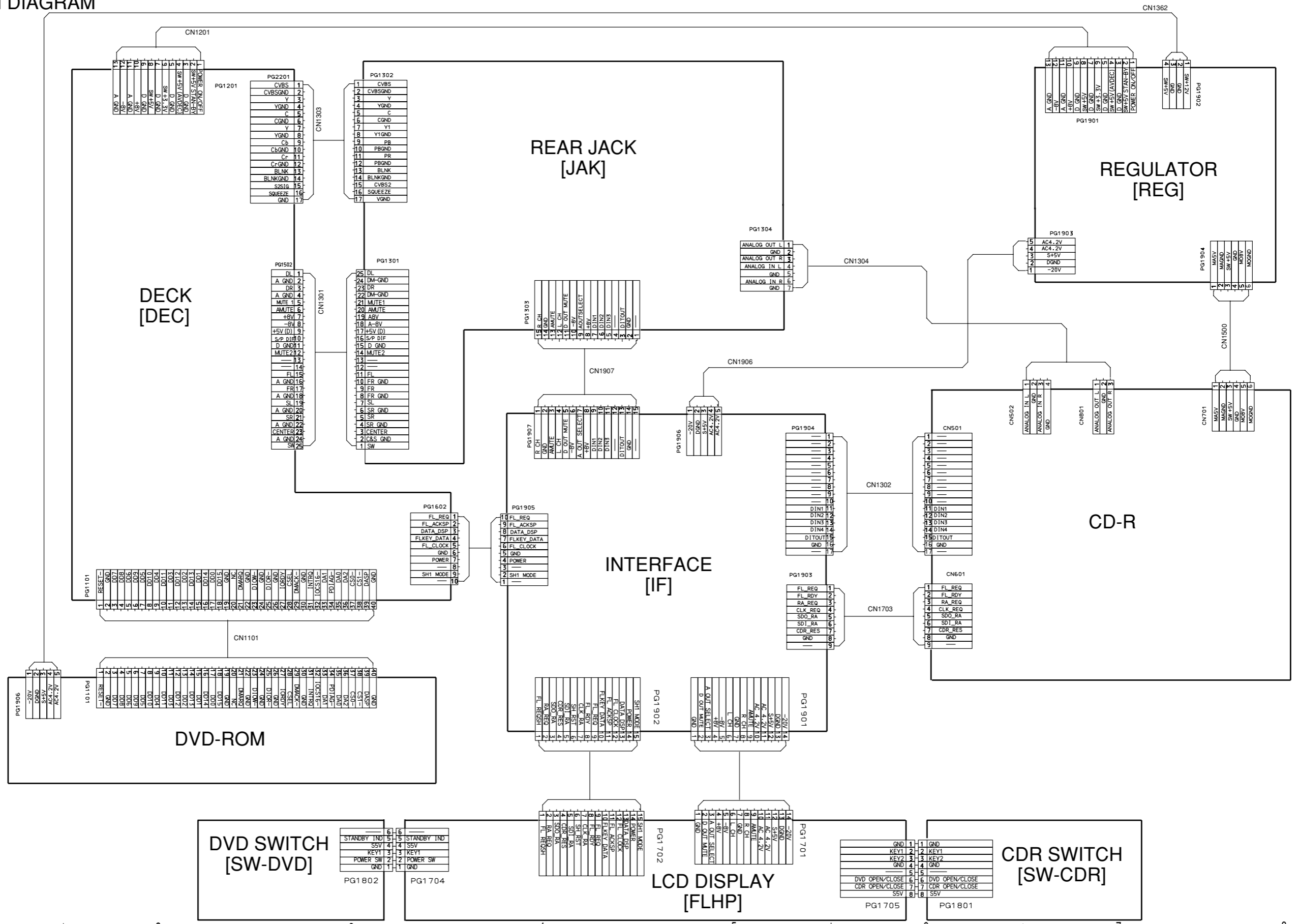
SYMBOL NO	P-NO	DESCRIPTION	SYMBOL NO	P-NO	DESCRIPTION
C1709	0893014	CERAMIC CHIP 0.01UF+-10% 25V	C3517	0893033	CERAMIC CHIP 1500PF+-10% 50V
C1710	0893014	CERAMIC CHIP 0.01UF+-10% 25V	C3518	0893033	CERAMIC CHIP 1500PF+-10% 50V
C1711	0800122	ELECTROLYTIC 10UF 16V	C3519	0893014	CERAMIC CHIP 0.01UF+-10% 25V
C1712	0800122	ELECTROLYTIC 10UF 16V	C3520	0893014	CERAMIC CHIP 0.01UF+-10% 25V
C1713	0800152	ELECTROLYTIC 220UF 10V	C3521	0893008	CERAMIC CHIP 0.1UF +-10% 16V
C1714	0800152	ELECTROLYTIC 220UF 10V	C3522	0893014	CERAMIC CHIP 0.01UF+-10% 25V
C1715	0209846	CERAMIC CHIP 33PF+-5% 50V	C3523	0893008	CERAMIC CHIP 0.1UF+-10% 16V
C1716	0209846	CERAMIC CHIP 33PF+-5% 50V	C3526	0209896	CERAMIC CHIP 470PF+-10% 50V
C1722	0893008	CERAMIC CHIP 0.1UF +-10% 16V	C3527	0893035	CERAMIC CHIP 2200PF+-10% 50V
C1723	0893031	CERAMIC CHIP 1000PF+-10% 50V	C3528	0893035	CERAMIC CHIP 2200PF+-10% 50V
C1724	0800154	ELECTROLYTIC 330UF 6.3V	RESISTORS		
C1903	0209854	CERAMIC CHIP 330PF+-5% 50V	R1307	0104267	CHIP RESISTOR 75 OHM+-1% 1/10W
C1904	0209854	CERAMIC CHIP 330PF+-5% 50V	R1314	0103836	CHIP RESISTOR 270 OHM+-5% 0.1W
C1909	0209854	CERAMIC CHIP 330PF+-5% 50V	R1315	0103836	CHIP RESISTOR 270 OHM+-5% 0.1W
C1911	0209854	CERAMIC CHIP 330PF+-5% 50V	R1316	0103839	CHIP RESISTOR 470 OHM+-5% 0.1W
C1914	0209854	CERAMIC CHIP 330PF+-5% 50V	R1317	0103839	CHIP RESISTOR 470 OHM+-5% 0.1W
C1915	0209854	CERAMIC CHIP 330PF+-5% 50V	R1318	0103839	CHIP RESISTOR 470 OHM+-5% 0.1W
C1920	0209854	CERAMIC CHIP 330PF+-5% 50V	R1319	0103839	CHIP RESISTOR 470 OHM+-5% 0.1W
C1921	0209854	CERAMIC CHIP 330PF+-5% 50V	R1320	0103839	CHIP RESISTOR 470 OHM+-5% 0.1W
C1922	0209854	CERAMIC CHIP 330PF+-5% 50V	R1321	0103839	CHIP RESISTOR 470 OHM+-5% 0.1W
C1923	0209854	CERAMIC CHIP 330PF+-5% 50V	R1322	0103839	CHIP RESISTOR 470 OHM+-5% 0.1W
C1928	0209854	CERAMIC CHIP 330PF+-5% 50V	R1323	0103839	CHIP RESISTOR 470 OHM+-5% 0.1W
C2505	0800326	ELECTROLYTIC 100UF 16V	R1331	0104267	CHIP RESISTOR 75 OHM+-1% 1/10W
C2506	0800326	ELECTROLYTIC 100UF 16V	R1332	0103849	CHIP RESISTOR 3.3KOHM+-5% 0.1W
C2507	AA00698R	CERAMIC CHIP 2.2UF+-10% 16V	R1333	0103849	CHIP RESISTOR 3.3KOHM+-5% 0.1W
C2508	AA00698R	CERAMIC CHIP 2.2UF+-10% 16V	R1334	0103861	CHIP RESISTOR 33KOHM+-5% 0.1W
C2510	0893004	CERAMIC CHIP 0.047UF+-10% 16V	R1335	0103861	CHIP RESISTOR 33KOHM+-5% 0.1W
C2511	0893036	CERAMIC CHIP 0.0027UF+-10% 50V	R1336	0103858	CHIP RESISTOR 33KOHM+-5% 0.1W
C2512	0893005	CERAMIC CHIP 0.056UF+-10% 16V	R1337	0103858	CHIP RESISTOR 33KOHM+-5% 0.1W
C2513	0893031	CERAMIC CHIP 1000PF+-10% 50V	R1339	0103850	CHIP RESISTOR 3.9KOHM+-5% 0.1W
C2514	0893088	CERAMIC CHIP 0.015UF+-10% 16V	R1351	0101400	CARBOL FILM 75 OHM+-5% 1/8W
C2515	0800326	ELECTROLYTIC 100UF 16V	R1352	0104267	CHIP RESISTOR 75 OHM+-1% 1/10W
C2516	0800326	ELECTROLYTIC 100UF 16V	R1353	0104267	CHIP RESISTOR 75 OHM+-1% 1/10W
C2517	0893011	CERAMIC CHIP 0.15UF+-10% 16V	R1527	0103833	CHIP RESISTOR 150 OHM+-5% 0.1W
C2518	0800317	ELECTROLYTIC 47UF 16V	R1528	0103833	CHIP RESISTOR 150 OHM+-5% 0.1W
C2519	0209903	CERAMIC CHIP 470PF+-5% 50V	R1529	0103847	CHIP RESISTOR 2.2KOHM+-5% 0.1W
C2525	0800291	ELECTROLYTIC 10UF 16V	R1530	0700045	CARBON FILM 2.2KOHM+-5% 1/8W
C2526	0800291	ELECTROLYTIC 10UF 16V	R1531	0103847	CHIP RESISTOR 2.2KOHM+-5% 0.1W
C3301	0893014	CERAMIC CHIP 0.01UF+-10% 25V	R1532	0103847	CHIP RESISTOR 2.2KOHM+-5% 0.1W
C3302	0893014	CERAMIC CHIP 0.01UF+-10% 25V	R1533	0103847	CHIP RESISTOR 2.2KOHM+-5% 0.1W
C3310	0800298	ELECTROLYTIC 22UF 10V	R1534	0103847	CHIP RESISTOR 2.2KOHM+-5% 0.1W
C3311	0800325	CAPASITOR 100UF+-20% 10V	R1539	0103862	CHIP RESISTOR 39KOHM+-5% 0.1W
C3312	0800298	ELECTROLYTIC 22UF 10V	R1540	0103862	CHIP RESISTOR 39KOHM+-5% 0.1W
C3313	0800325	CAPASITOR 100UF+-20% 10V	R1543	0105145	CHIP RESISTOR 36KOHM+-1% 1/10W
C3316	0800298	ELECTROLYTIC 22UF 10V	R1544	0105145	CHIP RESISTOR 36KOHM+-1% 1/10W
C3317	0800325	CAPASITOR 100UF+-20% 10V	R1545	0103833	CHIP RESISTOR 150 OHM+-5% 0.1W
C3318	0800298	ELECTROLYTIC 22UF 10V	R1546	0103833	CHIP RESISTOR 150 OHM+-5% 0.1W
C3319	0800325	CAPASITOR 100UF+-20% 10V	R1547	0103847	CHIP RESISTOR 2.2KOHM+-5% 0.1W
C3320	0800298	ELECTROLYTIC 22UF 10V	R1548	0103847	CHIP RESISTOR 2.2KOHM+-5% 0.1W
C3321	0800325	CAPASITOR 100UF+-20% 10V	R1549	0103847	CHIP RESISTOR 2.2KOHM+-5% 0.1W
C3324	0893008	CERAMIC CHIP 0.1UF +-10% 16V	R1550	0103847	CHIP RESISTOR 2.2KOHM+-5% 0.1W
C3501	AA00698R	CERAMIC CHIP 2.2UF+-10% 16V	R1551	0103847	CHIP RESISTOR 2.2KOHM+-5% 0.1W
C3502	AA00698R	CERAMIC CHIP 2.2UF+-10% 16V	R1552	0103847	CHIP RESISTOR 2.2KOHM+-5% 0.1W
C3503	0880008	POLYESTER FILM 6800PF+-10% 50V	R1553	0103862	CHIP RESISTOR 39KOHM+-5% 0.1W
C3504	0880008	POLYESTER FILM 6800PF+-10% 50V	R1554	0103862	CHIP RESISTOR 39KOHM+-5% 0.1W
C3505	0880005	POLYESTER FILM 2200PF+-10% 50V	R1555	0105145	CHIP RESISTOR 36KOHM+-1% 1/10W
C3506	0880005	POLYESTER FILM 2200PF+-10% 50V	R1556	0105145	CHIP RESISTOR 36KOHM+-1% 1/10W
C3507	0880002	MYLAR 820PF+-10% 50V	R1557	0103833	CHIP RESISTOR 150 OHM+-5% 0.1W
C3508	0880002	MYLAR 820PF+-10% 50V	R1558	0103859	CHIP RESISTOR 22KOHM+-5% 0.1W
C3509	0800317	ELECTROLYTIC 47UF 16V	R1559	0103847	CHIP RESISTOR 2.2KOHM+-5% 0.1W
C3510	0800317	ELECTROLYTIC 47UF 16V	R1560	0103864	CHIP RESISTOR 56KOHM+-5% 0.1W
C3511	0209903	CERAMIC CHIP 470PF+-5% 50V	R1561	0103847	CHIP RESISTOR 2.2KOHM+-5% 0.1W
C3512	0209903	CERAMIC CHIP 470PF+-5% 50V	R1562	0103864	CHIP RESISTOR 56KOHM+-5% 0.1W
C3515	0800299	ELECTROLYTIC 22UF 16V	R1563	0103847	CHIP RESISTOR 2.2KOHM+-5% 0.1W
C3516	0800299	ELECTROLYTIC 22UF 16V			

SYMBOL NO	P-NO	DESCRIPTION	SYMBOL NO	P-NO	DESCRIPTION
R1564	0103867	CHIP RESISTOR 100KOHM+-5% 0.1W	R1761	0103866	CHIP RESISTOR 82KOHM+-5% 0.1W
R1565	0103862	CHIP RESISTOR 39KOHM+-5% 0.1W	R1762	0103866	CHIP RESISTOR 82KOHM+-5% 0.1W
R1566	0103862	CHIP RESISTOR 39KOHM+-5% 0.1W	R1763	0103866	CHIP RESISTOR 82KOHM+-5% 0.1W
R1567	0105145	CHIP RESISTOR 36KOHM+-1% 1/10W	R1764	0103866	CHIP RESISTOR 82KOHM+-5% 0.1W
R1568	0105145	CHIP RESISTOR 36KOHM+-1% 1/10W	R1766	0103843	CHIP RESISTOR 1KOHM+-5% 0.1W
R1569	0103867	CHIP RESISTOR 100KOHM+-5% 0.1W	R1768	0103843	CHIP RESISTOR 1KOHM+-5% 0.1W
R1570	0103867	CHIP RESISTOR 100KOHM+-5% 0.1W	R1769	0700054	CARBON FILM 10KOHM+-5% 1/8W
R1571	0103867	CHIP RESISTOR 100KOHM+-5% 0.1W	R1770	0103855	CHIP RESISTOR 10KOHM+-5% 0.1W
R1572	0103867	CHIP RESISTOR 100KOHM+-5% 0.1W	R1771	0700054	CARBON FILM 10KOHM+-5% 1/8W
R1573	0103867	CHIP RESISTOR 100KOHM+-5% 0.1W	R1773	0700041	CARBON FILM 1.0KOHM+-5% 1/8W
R1574	0103867	CHIP RESISTOR 100KOHM+-5% 0.1W	R1774	0700041	CARBON FILM 1.0KOHM+-5% 1/8W
R1577	0700049	CARBON FILM 4.7KOHM+-5% 1/8W	R1775	0700041	CARBON FILM 1.0KOHM+-5% 1/8W
R1578	0700049	CARBON FILM 4.7KOHM+-5% 1/8W	R1901	BM00155R	FILTER
R1579	0103841	CHIP RESISTOR 680 OHM+-5% 0.1W	R1903	BM00155R	FILTER
R1580	0103841	CHIP RESISTOR 680 OHM+-5% 0.1W	R1904	BM00155R	FILTER
R1581	0103866	CHIP RESISTOR 82KOHM+-5% 0.1W	R1905	BM00155R	FILTER
R1582	0103866	CHIP RESISTOR 82KOHM+-5% 0.1W	R1911	BM00155R	FILTER
R1583	0103866	CHIP RESISTOR 82KOHM+-5% 0.1W	R1913	BM00155R	FILTER
R1701	0103843	CHIP RESISTOR 1KOHM+-5% 0.1W	R1917	0103839	CHIP RESISTOR 470 OHM+-5% 0.1W
R1702	0103843	CHIP RESISTOR 1KOHM+-5% 0.1W	R1918	0103839	CHIP RESISTOR 470 OHM+-5% 0.1W
R1703	0103843	CHIP RESISTOR 1KOHM+-5% 0.1W	R1919	0103839	CHIP RESISTOR 470 OHM+-5% 0.1W
R1704	0103843	CHIP RESISTOR 1KOHM+-5% 0.1W	R1920	0103839	CHIP RESISTOR 470 OHM+-5% 0.1W
R1705	0103843	CHIP RESISTOR 1KOHM+-5% 0.1W	R1921	0103839	CHIP RESISTOR 470 OHM+-5% 0.1W
R1706	0103843	CHIP RESISTOR 1KOHM+-5% 0.1W	R1922	0103839	CHIP RESISTOR 470 OHM+-5% 0.1W
R1707	0103831	CHIP RESISTOR 100 OHM+-5% 0.1W	R1924	0103839	CHIP RESISTOR 470 OHM+-5% 0.1W
R1708	0103855	CHIP RESISTOR 10KOHM+-5% 0.1W	R1926	0103839	CHIP RESISTOR 470 OHM+-5% 0.1W
R1710	0103843	CHIP RESISTOR 1KOHM+-5% 0.1W	R1927	0103839	CHIP RESISTOR 470 OHM+-5% 0.1W
R1712	0700041	CARBON FILM 1.0KOHM+-5% 1/8W	R1928	0103839	CHIP RESISTOR 470 OHM+-5% 0.1W
R1713	0700041	CARBON FILM 1.0KOHM+-5% 1/8W	R1940	0103831	CHIP RESISTOR 100 OHM+-5% 0.1W
R1714	0103843	CHIP RESISTOR 1KOHM+-5% 0.1W	R2523	0700063	CARBON FILM 47KOHM+-5% 1/8W
R1715	0103843	CHIP RESISTOR 1KOHM+-5% 0.1W	R2524	0700063	CARBON FILM 47KOHM+-5% 1/8W
R1716	0103855	CHIP RESISTOR 10KOHM+-5% 0.1W	R2531	0103863	CHIP RESISTOR 47KOHM+-5% 0.1W
R1717	0103879	CHIP RESISTOR 1MOHM+-5% 0.1W	R2532	0103863	CHIP RESISTOR 47KOHM+-5% 0.1W
R1718	0103836	CHIP RESISTOR 270 OHM+-5% 0.1W	R2533	0103863	CHIP RESISTOR 47KOHM+-5% 0.1W
R1719	0103836	CHIP RESISTOR 270 OHM+-5% 0.1W	R2534	0103863	CHIP RESISTOR 47KOHM+-5% 0.1W
R1720	0103836	CHIP RESISTOR 270 OHM+-5% 0.1W	R3302	0104267	CHIP RESISTOR 75 OHM+-1% 1/10W
R1721	0103836	CHIP RESISTOR 270 OHM+-5% 0.1W	R3303	0104267	CHIP RESISTOR 75 OHM+-1% 1/10W
R1722	0103852	CHIP RESISTOR 5.6KOHM+-5% 0.1W	R3305	0104267	CHIP RESISTOR 75 OHM+-1% 1/10W
R1723	0103852	CHIP RESISTOR 5.6KOHM+-5% 0.1W	R3307	0103831	CHIP RESISTOR 100 OHM+-5% 0.1W
R1724	0103851	CHIP RESISTOR 4.7KOHM+-5% 0.1W	R3501	0103867	CHIP RESISTOR 100KOHM+-5% 0.1W
R1725	0103851	CHIP RESISTOR 4.7KOHM+-5% 0.1W	R3502	0103867	CHIP RESISTOR 100KOHM+-5% 0.1W
R1726	0103826	CHIP RESISTOR 39 OHM+-5% 0.1W	R3503	0103833	CHIP RESISTOR 150 OHM+-5% 0.1W
R1727	0103851	CHIP RESISTOR 4.7KOHM+-5% 0.1W	R3504	0103833	CHIP RESISTOR 150 OHM+-5% 0.1W
R1728	0103851	CHIP RESISTOR 4.7KOHM+-5% 0.1W	R3505	0103847	CHIP RESISTOR 2.2KOHM+-5% 0.1W
R1729	0103863	CHIP RESISTOR 47KOHM+-5% 0.1W	R3506	0103847	CHIP RESISTOR 2.2KOHM+-5% 0.1W
R1730	0103826	CHIP RESISTOR 39 OHM+-5% 0.1W	R3507	0103847	CHIP RESISTOR 2.2KOHM+-5% 0.1W
R1731	0103863	CHIP RESISTOR 47KOHM+-5% 0.1W	R3508	0103847	CHIP RESISTOR 2.2KOHM+-5% 0.1W
R1734	0103855	CHIP RESISTOR 10KOHM+-5% 0.1W	R3509	0103847	CHIP RESISTOR 2.2KOHM+-5% 0.1W
R1735	0103855	CHIP RESISTOR 10KOHM+-5% 0.1W	R3510	0103847	CHIP RESISTOR 2.2KOHM+-5% 0.1W
R1736	0101714	FUSE RESISTOR 100 OHM+-5% 1/4W	R3511	0103862	CHIP RESISTOR 39KOHM+-5% 0.1W
R1738	0103836	CHIP RESISTOR 270 OHM+-5% 0.1W	R3512	0103862	CHIP RESISTOR 39KOHM+-5% 0.1W
R1744	0103827	CHIP RESISTOR 47 OHM+-5% 0.1W	R3513	0105145	CHIP RESISTOR 36KOHM+-1% 1/10W
R1745	0103875	CHIP RESISTOR 470KOHM+-5% 0.1W	R3514	0105145	CHIP RESISTOR 36KOHM+-1% 1/10W
R1749	0103866	CHIP RESISTOR 82KOHM+-5% 0.1W	R3515	0700063	CARBON FILM 47KOHM+-5% 1/8W
R1750	0103866	CHIP RESISTOR 82KOHM+-5% 0.1W	R3516	0700063	CARBON FILM 47KOHM+-5% 1/8W
R1751	0103866	CHIP RESISTOR 82KOHM+-5% 0.1W	R3517	0103841	CHIP RESISTOR 680 OHM+-5% 0.1W
R1752	0103866	CHIP RESISTOR 82KOHM+-5% 0.1W	R3518	0103841	CHIP RESISTOR 680 OHM+-5% 0.1W
R1753	0103866	CHIP RESISTOR 82KOHM+-5% 0.1W	R3519	0103836	CHIP RESISTOR 270 OHM+-5% 0.1W
R1754	0103866	CHIP RESISTOR 82KOHM+-5% 0.1W	R3520	0103836	CHIP RESISTOR 270 OHM+-5% 0.1W
R1755	0103866	CHIP RESISTOR 82KOHM+-5% 0.1W	R3523	0103867	CHIP RESISTOR 100KOHM+-5% 0.1W
R1756	0103866	CHIP RESISTOR 82KOHM+-5% 0.1W	R3524	0103867	CHIP RESISTOR 100KOHM+-5% 0.1W
R1757	0103866	CHIP RESISTOR 82KOHM+-5% 0.1W	R3525	0103867	CHIP RESISTOR 100KOHM+-5% 0.1W
R1758	0103866	CHIP RESISTOR 82KOHM+-5% 0.1W	R3526	0103867	CHIP RESISTOR 100KOHM+-5% 0.1W
R1759	0103866	CHIP RESISTOR 82KOHM+-5% 0.1W	R3527	0103836	CHIP RESISTOR 270 OHM+-5% 0.1W
R1760	0103866	CHIP RESISTOR 82KOHM+-5% 0.1W	R3528	0103836	CHIP RESISTOR 270 OHM+-5% 0.1W

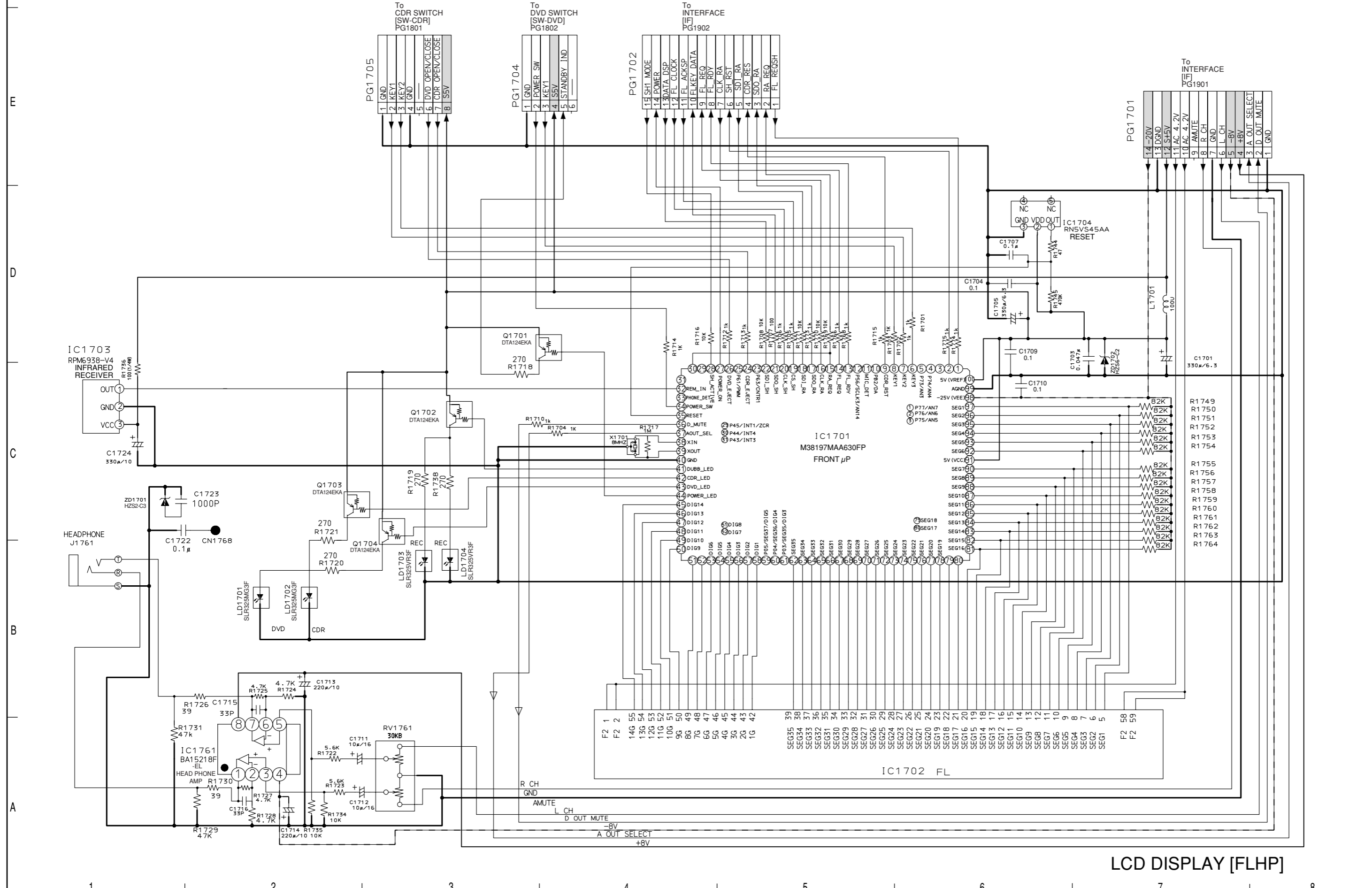
SYMBOL NO	P-NO	DESCRIPTION	SYMBOL NO	P-NO	DESCRIPTION
R3530	0103864	CHIP RESISTOR 56KOHM+-5% 0.1W			TRANSFORMER
R3531	0103848	CHIP RESISTOR 2.7KOHM+-5% 0.1W			
R3532	0103864	CHIP RESISTOR 56KOHM+-5% 0.1W	T1301	BS10231U	COIL
R3537	0103852	CHIP RESISTOR 5.6KOHM+-5% 0.1W			COILS
RV1761	AY10231	VARIABLE RESISTOR			
SEMI-CONDUCTORS			L1301	BA10337R	COIL 100UH
D1302	5337411	DIODE HSM2838C	L1362	BA10334R	COIL 10UH
D1303	5337411	DIODE HSM2838C	L1701	BA10337R	COIL 100UH
D1304	5337411	DIODE HSM2838C			CRYSTAL
D1901	5337101	DIODE MA110	X1701	BP10891R	CRYSTAL
D3301	5337411	DIODE HSM2838C			MISCELLANEOUS
D3302	5337411	DIODE HSM2838C			
IC1301	CK31781R	IC TC74HCT04AF(EL)	BL1303	0103831	CHIP RESISTOR 100 OHM+-5% 0.1W
IC1302	DT10371	IC JFJ1000	BL1307	BM00155R	FILTER
IC1303	DT10381	IC JFJ2000	BL1309	BM00155R	FILTER
IC1304	CK23621R	IC TC7WHU04FU	BL1310	BM00155R	FILTER
IC1305	CK15071R	IC HD74HC153FP	BL1311	BM00155R	FILTER
IC1507	CK25321R	IC NJM2060M	BL1312	BM00155R	FILTER
IC1508	CK25321R	IC NJM2060M	BL1313	BM00155R	FILTER
IC1509	CK25321R	IC NJM2060M	BL1314	BM00155R	FILTER
IC1510	CK25321R	IC NJM2060M	CN1201	EF11761	CONNECTOR
IC1512	CK04701R	IC BU4066BCF-E2	CN1301	1880387	FLEXIBLE CABLE
IC1513	CK04701R	IC BU4066BCF-E2	CN1302	1880386	FLEXIBLE CABLE
IC1701	CK25731U	IC M38197MAA630FP	CN1303	1880359	FLEXIBLE CABLE
IC1702	DD10161	DISPLAY	CN1304	EF11751	CONNECTOR
IC1703	CJ00252U	IC RPM6938-V4	CN1362	EF11771	CONNECTOR
IC1704	CK19602R	IC RN5VS45AA	CN1500	EF11262	CONNECTOR
IC1761	1352612	IC BA15218F-E2	CN1703	1880383	FLEXIBLE CABLE
IC3301	CK31491R	IC BA7660FS-E2	CN1901	EZ10512	CONNECTOR
IC3302	CK31491R	IC BA7660FS-E2	CN1905	EK10906	CONNECTOR
LD1701	CH10812R	DIODE SLR325MG3F	CN1906	EF11781	CONNECTOR
LD1702	CH10812R	DIODE SLR325MG3F	CN1907	1880363	FLEXIBLE CABLE
LD1703	CH10811R	DIODE SLR325VR3F	J1301	EQ10351	JACK
LD1704	CH10811R	DIODE SLR325VR3F	J1304	ER10351	JACK
LD1802	CH10811R	DIODE SLR325VR3F	J1305	ER10352	CORD,AC
Q1306	CA11266R	TRANSISTOR DTC114TKA	J1306	EQ10361	JACK
Q1307	CA11266R	TRANSISTOR DTC114TKA	J1761	ER10321	JACK
Q1308	CA11266R	TRANSISTOR DTC114TKA	PG1301	ED10954	CONNECTOR
Q1309	CA11266R	TRANSISTOR DTC114TKA	PG1302	ED10945	CONNECTOR
Q1310	CA11266R	TRANSISTOR DTC114TKA	PG1303	ED10943	CONNECTOR
Q1311	CA11266R	TRANSISTOR DTC114TKA	PG1304	5666436	PLUG
Q1701	CA11251R	TRANSISTOR DTA124EKA	PG1701	5843852	CONNECTOR
Q1702	CA11251R	TRANSISTOR DTA124EKA	PG1702	5843853	CONNECTOR
Q1703	CA11251R	TRANSISTOR DTA124EKA	PG1704	ED12641	CONNECTOR
Q1704	CA11251R	TRANSISTOR DTA124EKA	PG1705	ED12642	CONNECTOR
Q3503	CA11266R	TRANSISTOR DTC114TKA	PG1901	5666574	PLUG
Q3504	CA11266R	TRANSISTOR DTC114TKA	PG1902	5666575	MINI PLUG
Q3510	CA11266R	TRANSISTOR DTC114TKA	PG1903	ED10936	CONNECTOR
Q3511	CA11251R	TRANSISTOR DTA124EKA	PG1904	ED10945	CONNECTOR
Q3512	CA11266R	TRANSISTOR DTC114TKA	PG1905	ED10937	PLUG
ZD1301	CC10431R	DIODE MA3020	PG1906	ED12621	CONNECTOR
ZD1303	CC10431R	DIODE MA3020	PG1907	ED10943	CONNECTOR
ZD1304	CC10431R	DIODE MA3020			
ZD1306	CC10431R	DIODE MA3020			
ZD1351	CC10431R	DIODE MA3020			
ZD1370	CC10431R	DIODE MA3020			
ZD1372	CC10431R	DIODE MA3020			
ZD1701	5339251	DIODE HZS2-C3			
ZD1702	5339262	DIODE HZS6-C2			
ZD3501	CC10431R	DIODE MA3020			
ZD3502	CC10431R	DIODE MA3020			

CHAPTER 5 SCHEMATIC, CIRCUIT BOARD AND BLOCK DIAGRAM

CONNECTION DIAGRAM

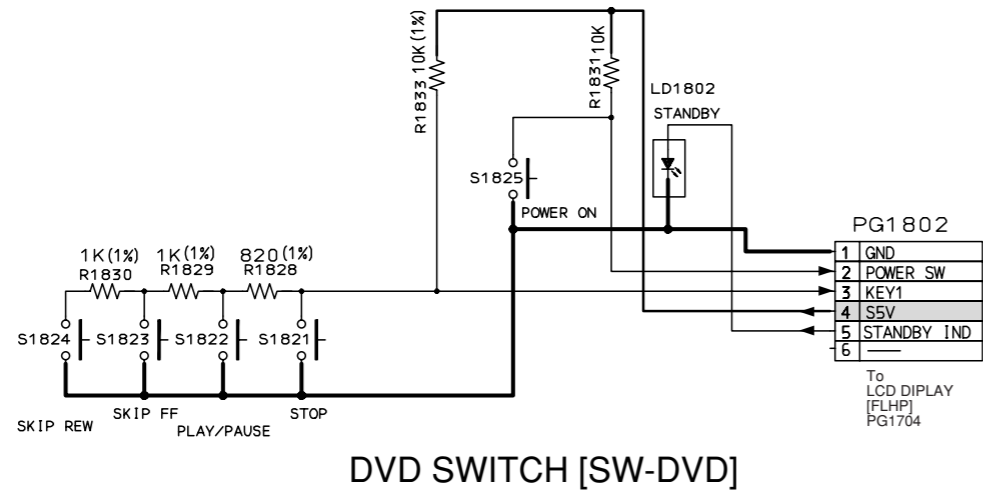


LCD DISPLAY [FLHP] SCHEMATIC DIAGRAM

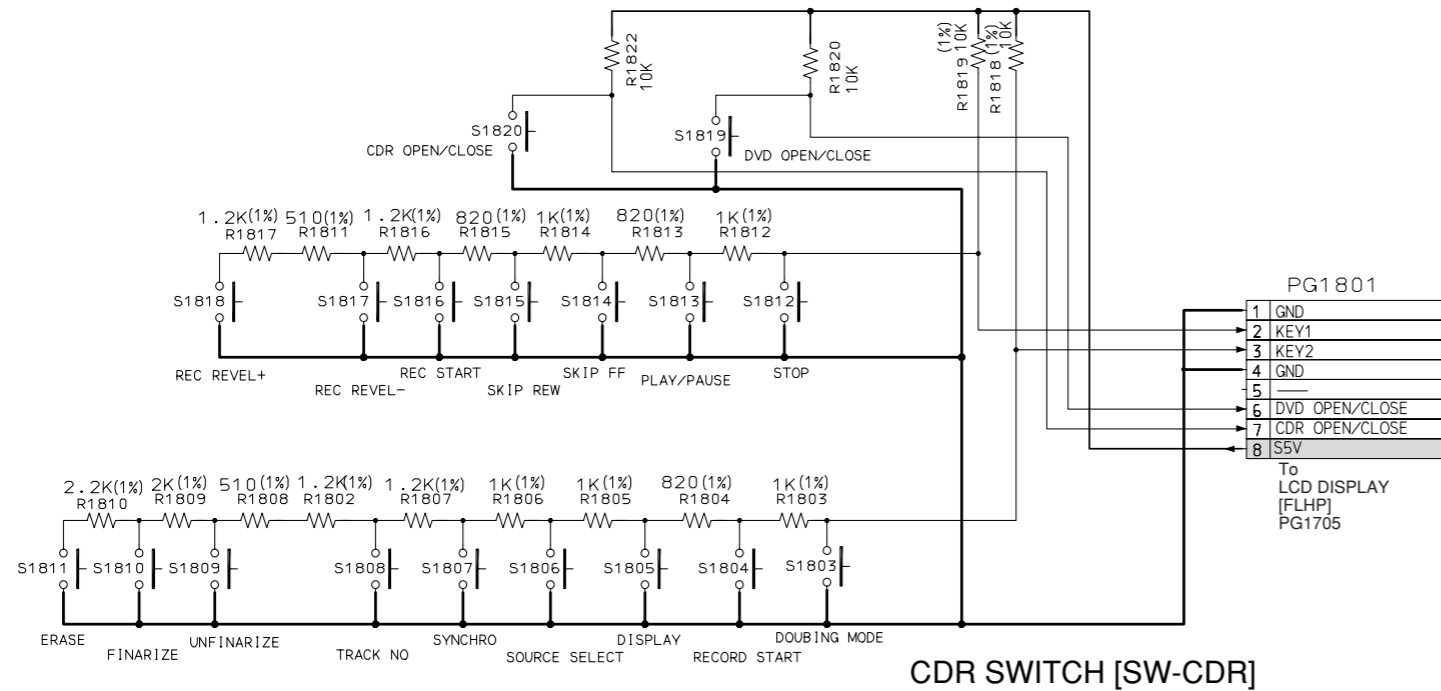


LCD DISPLAY [FLHP]

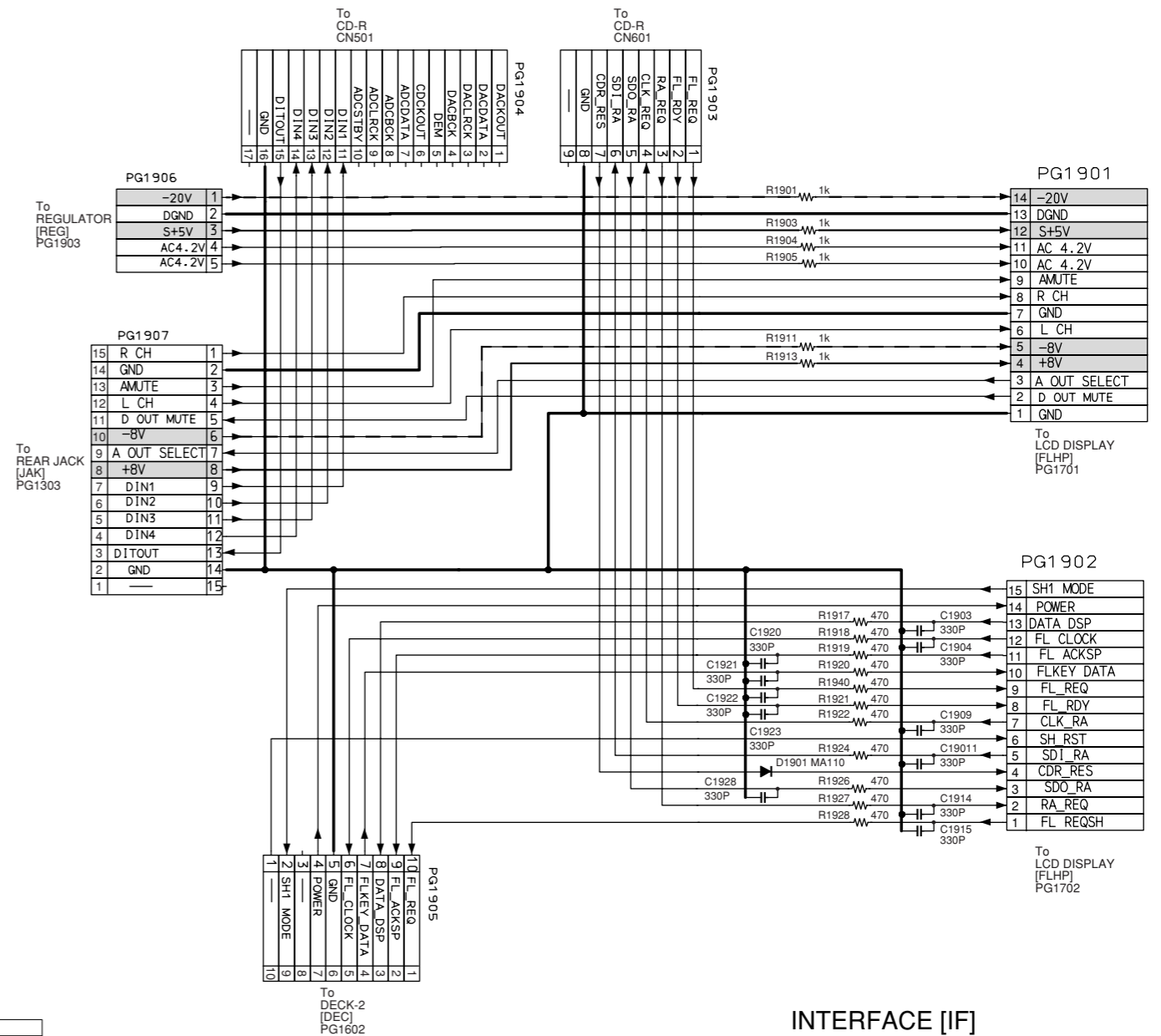
DVD SWITCH [SW-DVD] SCHEMATIC DIAGRAM



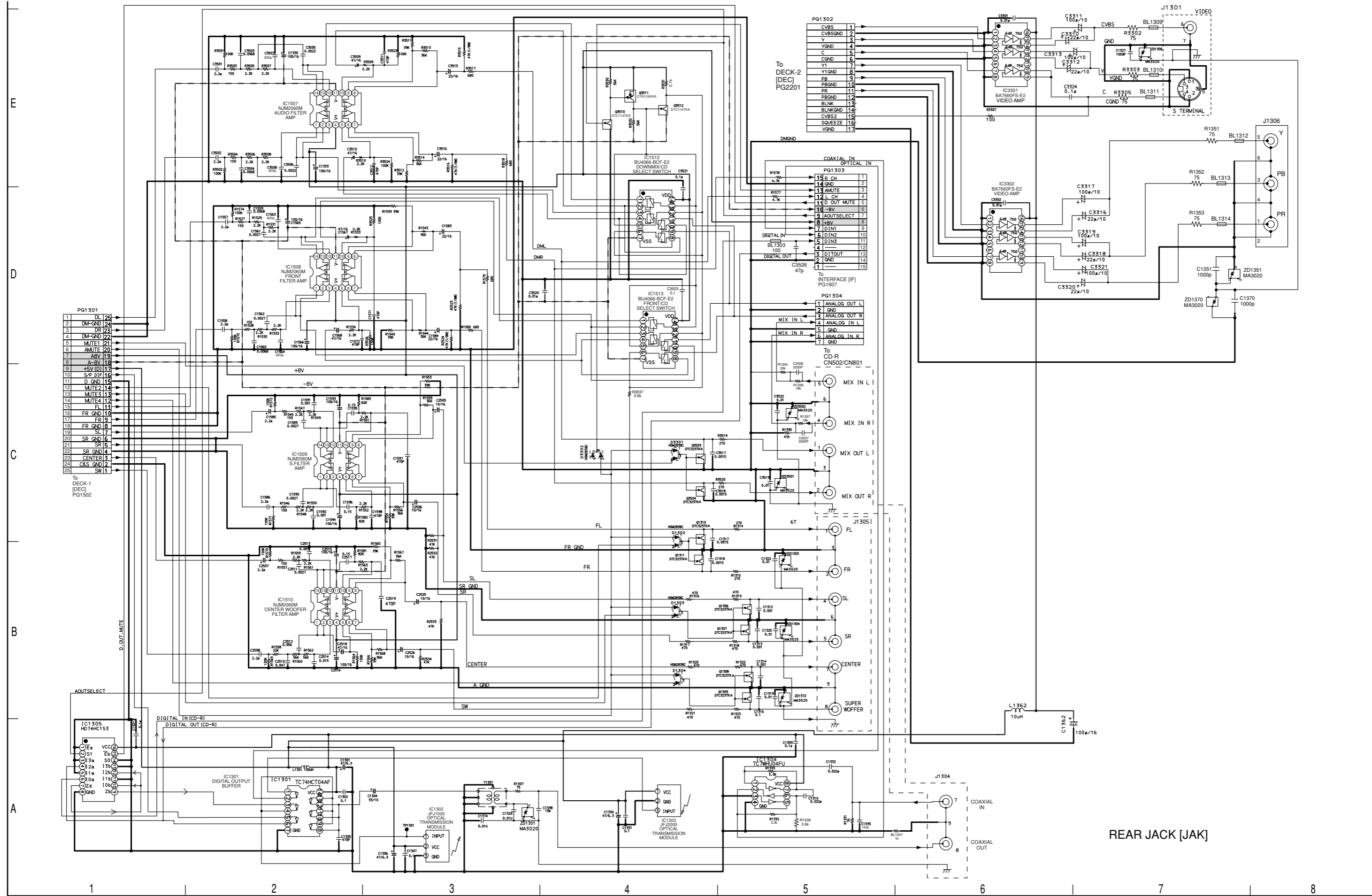
CDR SWITCH [SW-CDR] SCHEMATIC DIAGRAM



INTERFACE [IF] SCHEMATIC DIAGRAM



REAR JACK [JAK] SCHEMATIC DIAGRAM

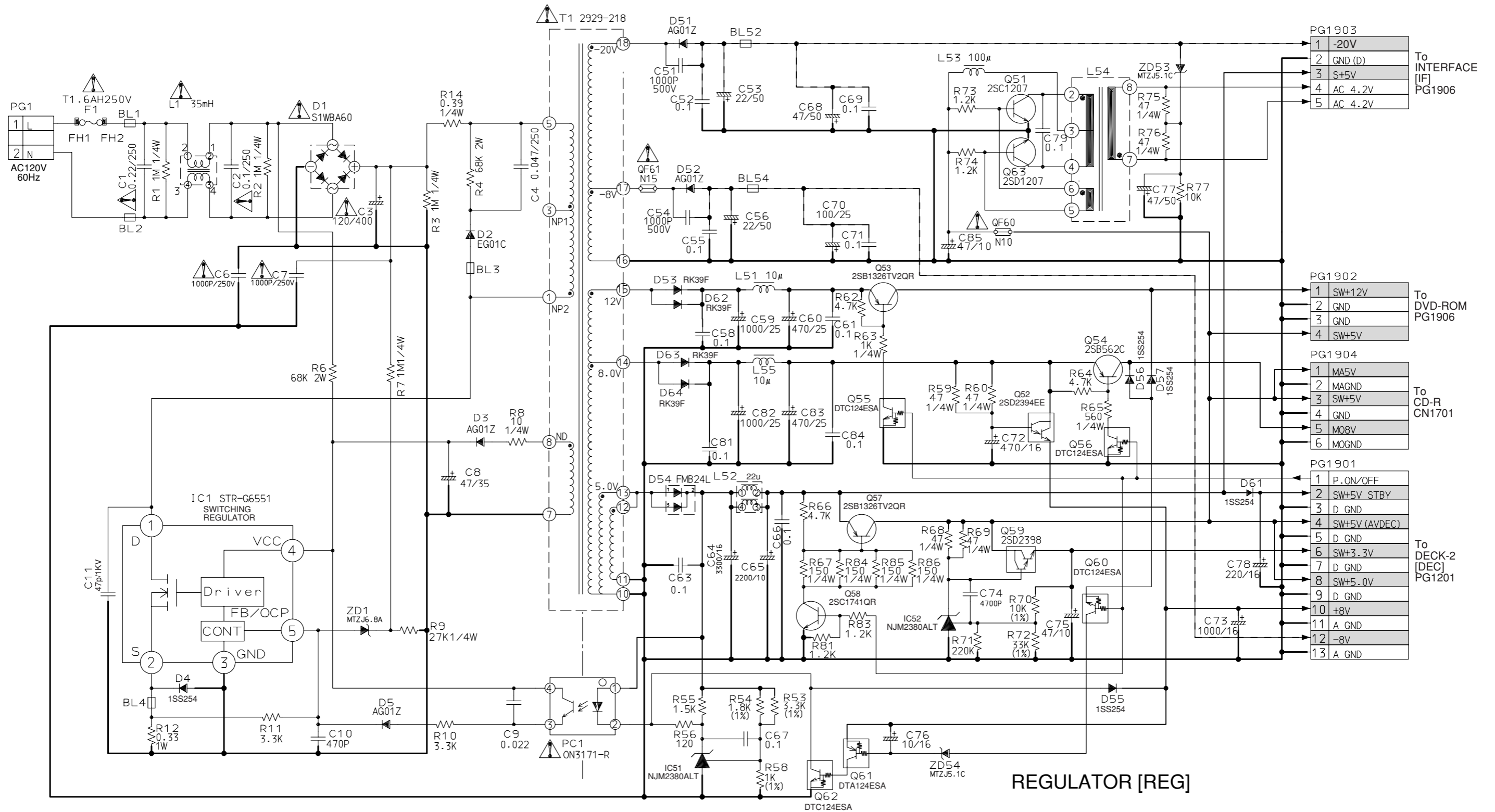


REAR JACK 5 - 7

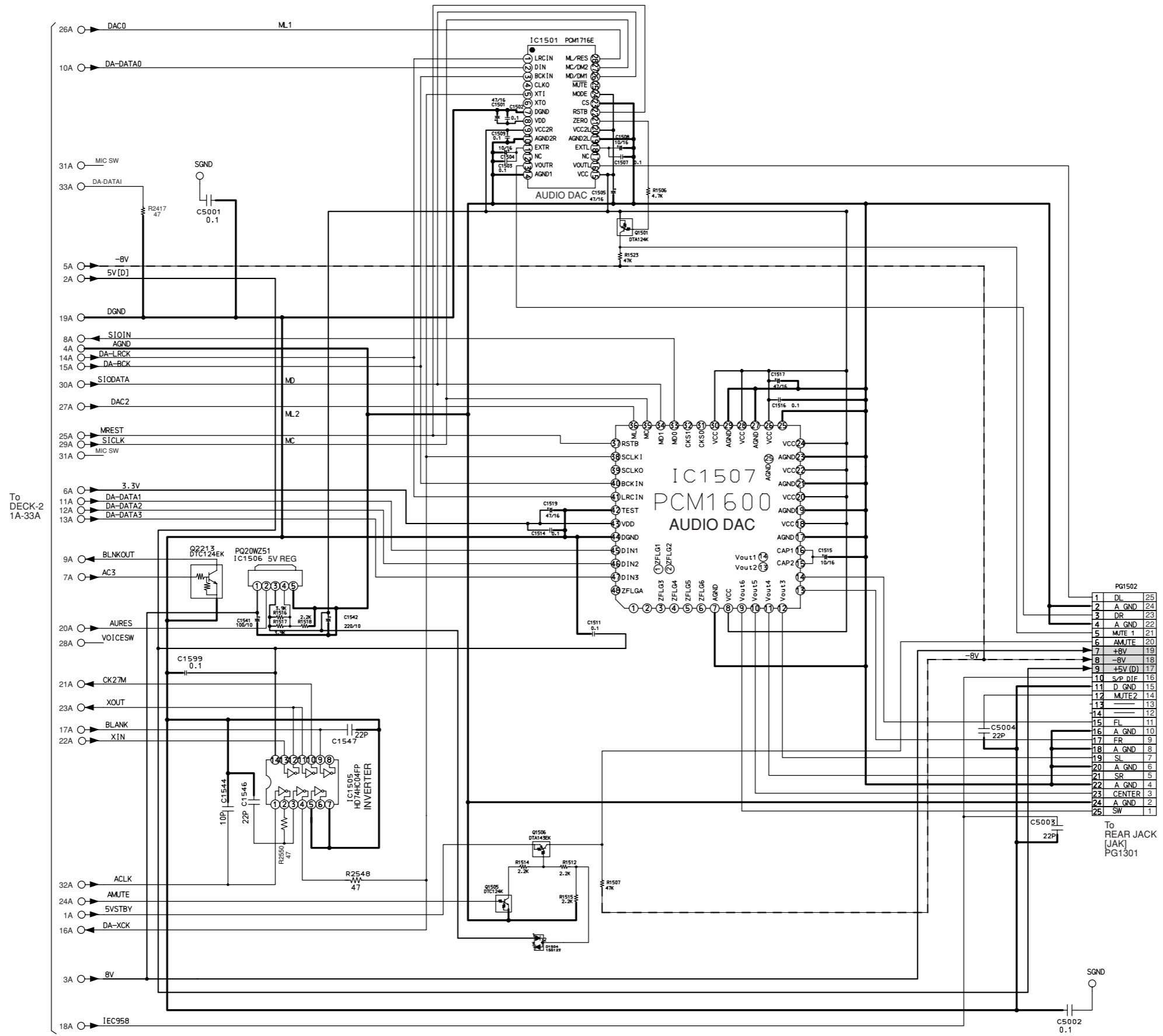
5 - 8 REAR JACK

REAR JACK [JAK]

REGULATOR [REG] SCHEMATIC DIAGRAM



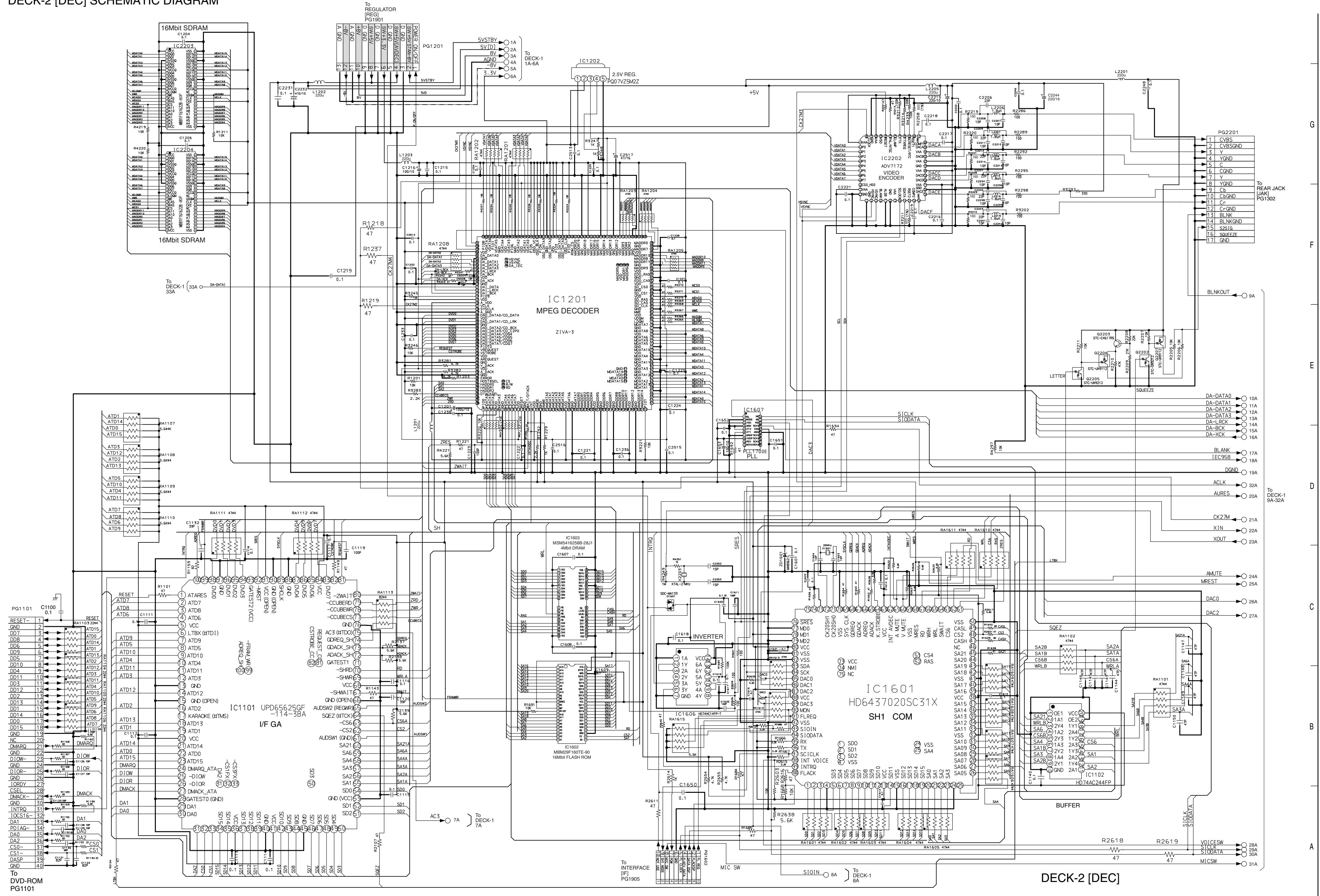
DECK-1 [DEC] SCHEMATIC DIAGRAM



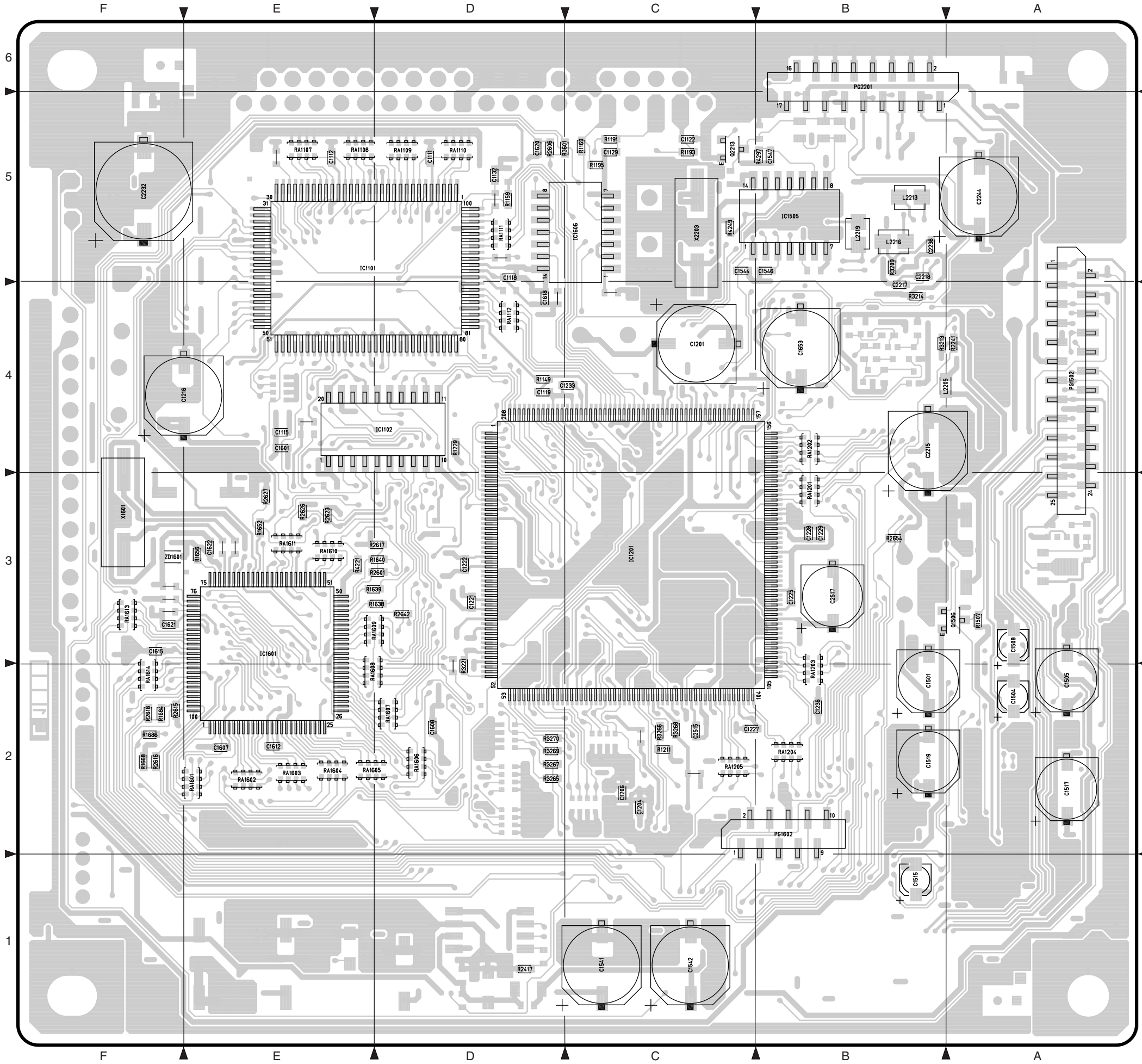
DECK-1 [DEC]

E
D
C
B
A

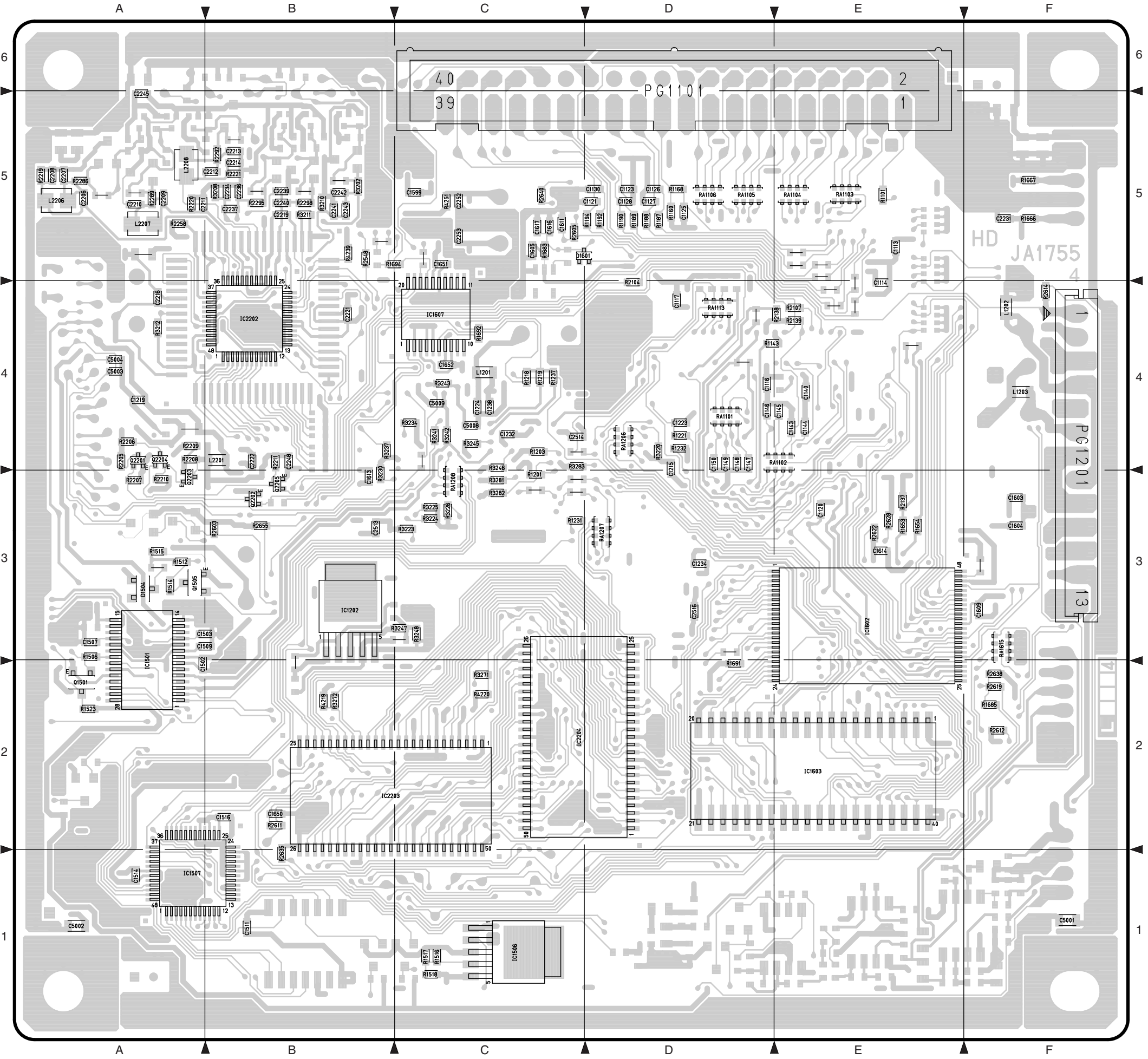
DECK-2 [DEC] SCHEMATIC DIAGRAM



DEC CIRCUIT BOARD



DEC [DECK] -SIDE A-



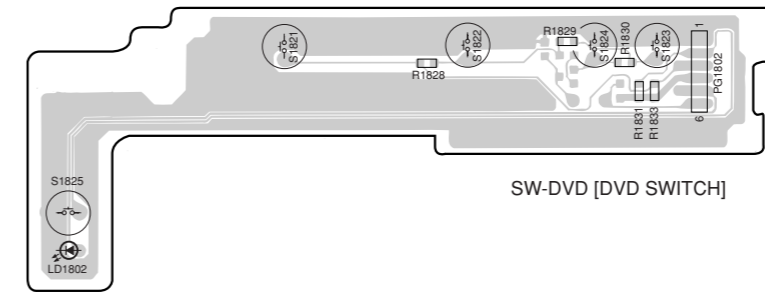
DEC [DECK] -SIDE B- [PATTERN No.JA1755-4]

IDENTIFICATION OF PARTS LOCATION

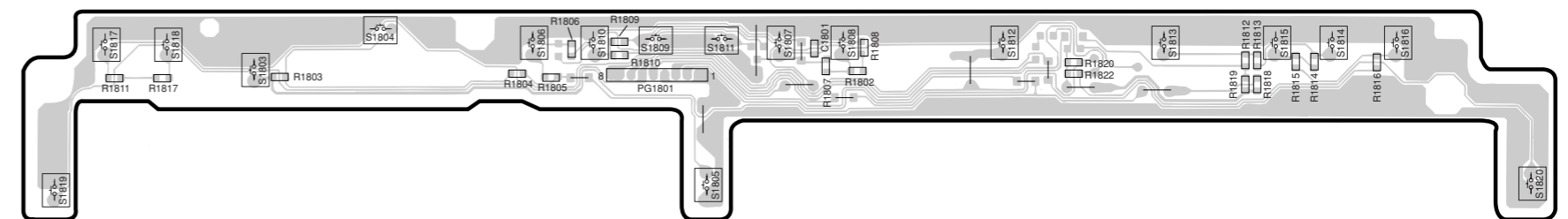
DEC

Symbol No.	Parts Location	Symbol No.	Parts Location	Symbol No.	Parts Location	Symbol No.	Parts Location	Symbol No.	Parts Location	Symbol No.	Parts Location	Symbol No.	Parts Location
C		C1514	B-1A	C2242	B-5B	Q1505	B-3A	R1691	B-2D	R3220	B-4D	RA1602	A-2E
C1111	A-5D	C1515	A-1B	C2243	B-5B	Q1506	A-3A	R1692	B-4C	R3221	A-2D	RA1603	A-2E
C1112	A-5E	C1516	B-2B	C2244	A-5A	Q2201	B-4A	R1694	B-5B	R3223	B-3C	RA1604	A-2E
C1113	B-5E	C1517	A-2A	C2245	B-5A	Q2202	B-3B	R2104	B-4D	R3224	B-3C	RA1605	A-2E
C1114	B-4E	C1519	A-2B	C2248	B-4B	Q2203	B-3A	R2107	B-4E	R3225	B-3C	RA1606	A-2D
C1115	A-4E	C1541	A-1C	C2252	B-5C	Q2204	B-4A	R2137	B-3E	R3226	B-3C	RA1607	A-2D
C1116	B-4D	C1542	A-1C	C2253	B-5C	Q2205	B-3B	R2138	B-4E	R3230	B-3B	RA1608	A-2E
C1117	B-4D	C1544	A-5C	C2513	B-3B	Q2213	A-5C	R2139	B-4E	R3234	B-4C	RA1609	A-3D
C1118	A-5D	C1546	A-5B	C2514	B-4C	R		R2205	B-4A	R3237	B-4B	RA1610	A-3E
C1119	A-4D	C1547	A-5B	C2515	A-2C	R1101	B-5E	R2206	B-4A	R3241	B-4C	RA1611	A-3E
C1120	B-3E	C1599	B-5C	C2516	B-3D	R1143	B-4D	R2207	B-3A	R3242	B-4C	RA1613	A-3F
C1121	B-5D	C1601	A-4E	C2517	A-3B	R1149	A-4D	R2208	B-4A	R3243	B-4C	RA1614	A-2F
C1122	A-5C	C1603	B-3F	C5001	B-1F	R1159	A-5D	R2209	B-4A	R3245	B-4C	RA1615	B-3F
C1123	B-5D	C1604	B-3F	C5002	B-1A	R1160	B-5D	R2210	B-3A	R3246	B-4C	X	
C1125	B-5D	C1605	B-5C	C5003	B-4A	R1168	B-5D	R2211	B-4B	R3247	B-3C	X1601	A-3F
C1126	B-5D	C1607	A-2E	C5004	B-4A	R1169	A-5C	R2219	B-5A	R3248	B-3C	X2203	A-5C
C1127	B-5D	C1608	A-2D	C5008	B-4C	R1187	B-5D	R2220	B-5A	R3265	A-2D	ZD	
C1128	B-5D	C1609	B-3F	C5009	B-4C	R1188	B-5D	R2221	B-5B	R3266	A-2C	ZD1601	A-3F
C1129	A-5C	C1611	B-5C	D		R1189	B-5D	R2241	A-4A	R3267	A-2D		
C1130	B-5D	C1612	A-2E	D1504	B-3A	R1190	B-5D	R2258	B-5A	R3268	A-2C		
C1132	A-5D	C1613	B-3B	D1601	B-5C	R1191	A-5C	R2286	B-5A	R3269	A-2D		
C1140	B-4E	C1614	B-3E	IC		R1192	B-5D	R2289	B-5A	R3270	A-2D		
C1143	B-4E	C1615	A-3F	IC1101	A-5E	R1193	A-5C	R2292	B-5B	R3271	B-2C		
C1144	B-4E	C1616	B-5C	IC1102	A-4D	R1194	B-5D	R2295	B-5B	R3272	B-2B		
C1145	B-4E	C1617	B-5C	IC1201	A-3C	R1195	A-5C	R2298	B-5B	R3281	B-3C		
C1146	B-4D	C1618	A-4D	IC1202	B-3B	R1201	B-3C	R2417	A-1D	R3282	B-3C		
C1147	B-4D	C1620	A-5D	IC1501	B-2A	R1203	B-4C	R2548	B-5B	R3283	B-4C		
C1148	B-4D	C1621	A-3F	IC1505	A-5B	R1211	A-2C	R2601	A-3D	R3601	A-5D		
C1149	B-4D	C1622	A-3E	IC1506	B-1C	R1218	B-4C	R2603	B-3B	R4219	B-2B		
C1150	B-4D	C1650	B-2B	IC1507	B-1A	R1219	B-4C	R2605	B-5C	R4220	B-2C		
C1201	A-4C	C1651	B-5C	IC1601	A-3E	R1221	B-4D	R2606	A-5D	R4221	A-3E		
C1204	A-2C	C1652	B-4C	IC1602	B-3E	R1229	A-4D	R2611	B-2B	R4239	B-5B		
C1206	A-2C	C1653	A-4B	IC1603	B-2E	R1231	B-3C	R2612	B-2F	R4249	A-5C		
C1215	B-4D	C2206	B-5A	IC1606	A-5C	R1232	B-4D	R2614	B-4F	R4251	B-5C		
C1216	A-4E	C2207	B-5A	IC1607	B-4C	R1237	B-4C	R2615	A-2F	R4297	A-5B		
C1219	B-4A	C2208	B-5A	IC2202	B-4B	R1506	B-3A	R2616	A-2F	RA			
C1221	A-3D	C2209	B-5A	IC2203	B-2B	R1507	A-3A	R2617	A-3D	RA1101	B-4D		
C1222	A-3D	C2210	B-5A	IC2204	B-2C	R1512	B-3A	R2618	A-2F	RA1102	B-4E		
C1223	B-4D	C2211	B-5A	L		R1514	B-3A	R2619	B-2F	RA1103	B-5E		
C1224	B-4C	C2212	B-5B	L1201	B-4C	R1515	B-3A	R2622	B-3E	RA1104	B-5E		
C1225	A-3B	C2213	B-5B	L1202	B-4F	R1516	B-1C	R2623	A-3E	RA1105	B-5D		
C1227	A-2C	C2214	B-5B	L1203	B-4F	R1517	B-1C	R2626	A-3E	RA1106	B-5D		
C1228	A-3B	C2215	A-4B	L2201	B-4B	R1518	B-1C	R2627	A-3E	RA1107	A-5E		
C1229	A-3B	C2216	B-4A	L2205	A-4B	R1523	B-2A	R2628	B-3E	RA1108	A-5E		
C1232	B-4C	C2217	A-4B	L2206	B-5A	R1638	A-3D	R2635	B-1B	RA1109	A-5D		
C1233	A-4C	C2218	A-5B	L2207	B-5A	R1639	A-3D	R2638	B-2F	RA1110	A-5D		
C1234	B-3D	C2219	B-5B	L2208	B-5A	R1640	A-3D	R2640	B-5C	RA1111	A-5D		
C1236	A-2B	C2221	B-4B	L2213	A-5B	R1652	A-3E	R2642	A-3D	RA1112	A-4D		
C1238	B-4C	C2222	B-4B	L2216	A-5B	R1653	B-3E	R2654	A-3B	RA1113	B-4D		
C1501	A-2B	C2231	B-5F	L2219	A-5B	R1654	B-3E	R2655	B-3B	RA1201	A-3B		
C1502	B-2A	C2232	A-5F	PG		R1656	A-3E	R3202	B-5B	RA1202	A-4B		
C1503	B-3A	C2234	B-5B	PG1101	B-5D	R1666	B-5F	R3208	B-5B	RA1203	A-2B		
C1504	A-2A	C2236	B-5B	PG1201	B-4F	R1667	B-5F	R3209	A-5B	RA1204	A-2B		
C1505	A-2A	C2237	B-5B	PG1502	A-4A	R1668	A-2F	R3210	B-5B	RA1205	A-2C		
C1507	B-3A	C2238	A-5B	PG1602	A-2B	R1683	B-5C	R3211	B-5B	RA1206	B-4D		
C1508	A-3A	C2239	B-5B	PG2201	A-6B	R1684	A-2F	R3212	B-4A	RA1207	B-3D		
C1509	B-3A	C2240	B-5B	Q		R1685	B-2F	R3213	A-4B	RA1208	B-3C		
C1511	B-1B	C2241	B-5B	Q1501	B-2A	R1686	A-2F	R3214	A-4B	RA1601	A-2E		

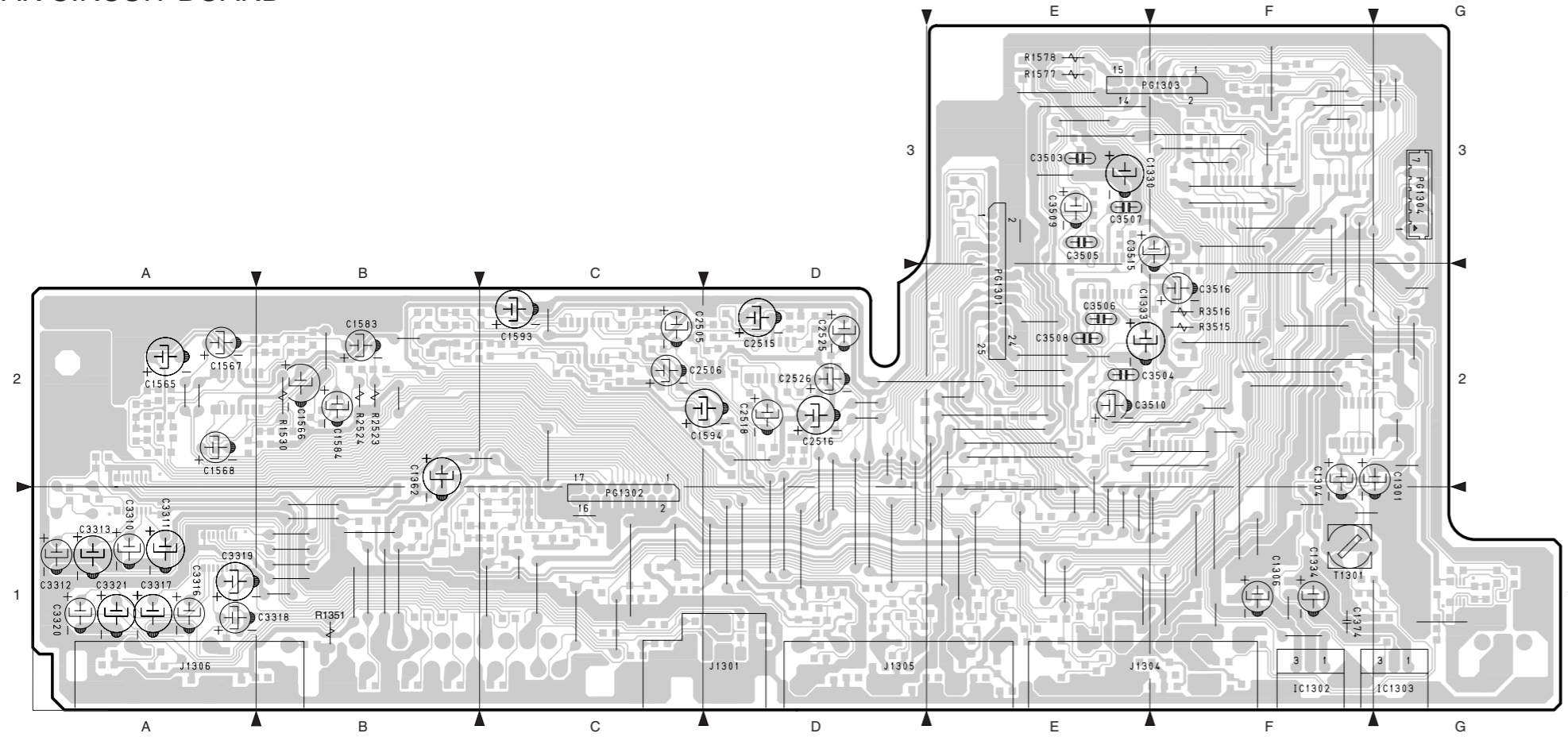
SW-DVD CIRCUIT BOARD



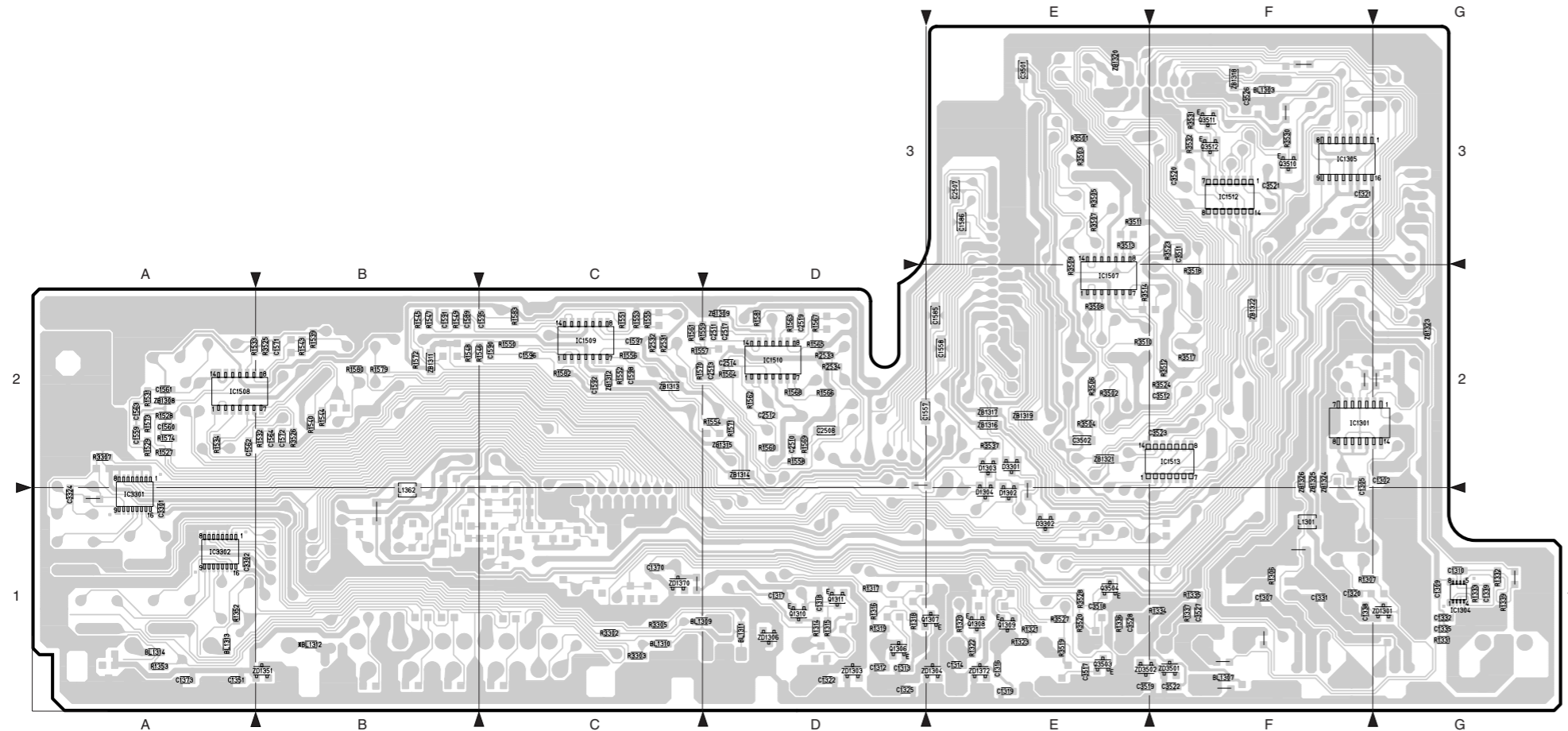
SW-CDR CIRCUIT BOARD



JAK CIRCUIT BOARD



JAK [REAR JACK] -SIDE A-



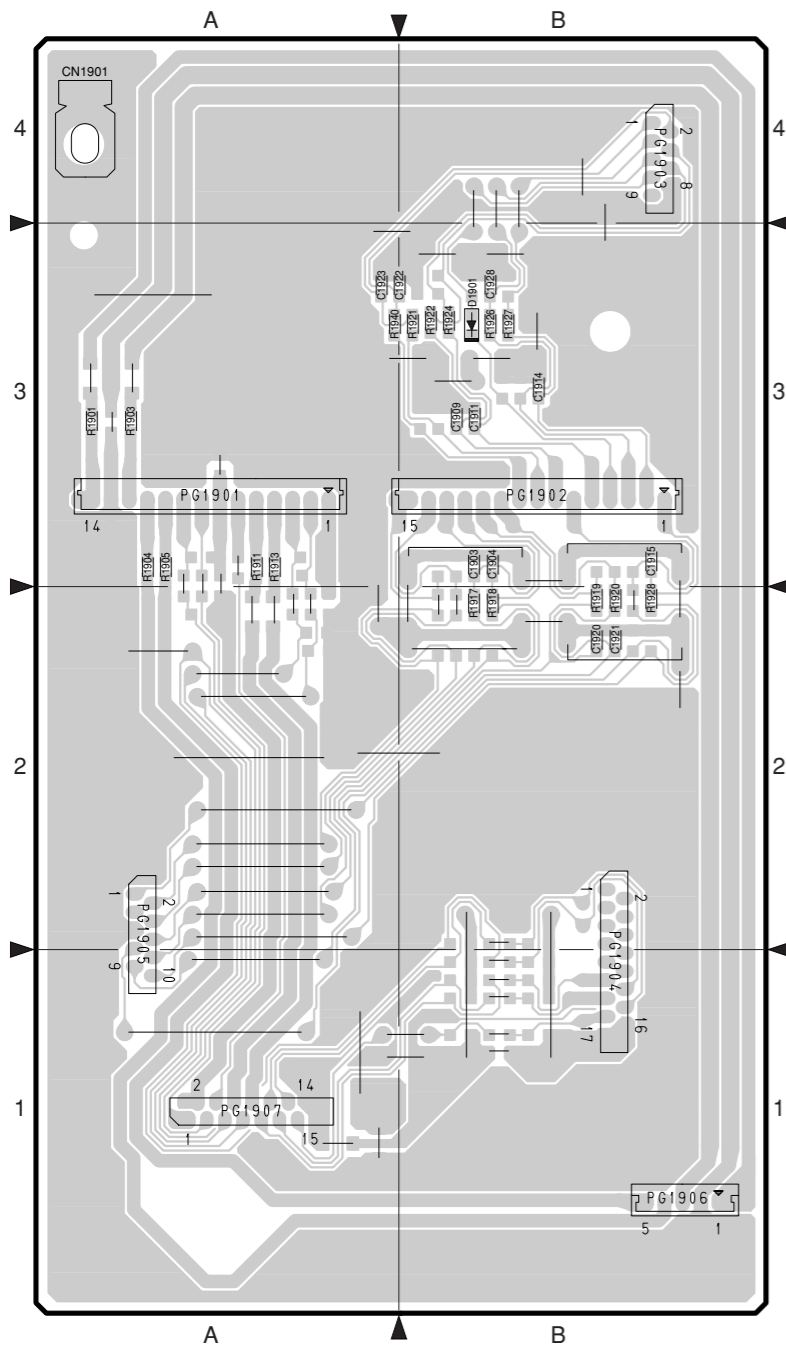
JAK [REAR JACK] -SIDE B-

IDENTIFICATION OF PARTS LOCATION

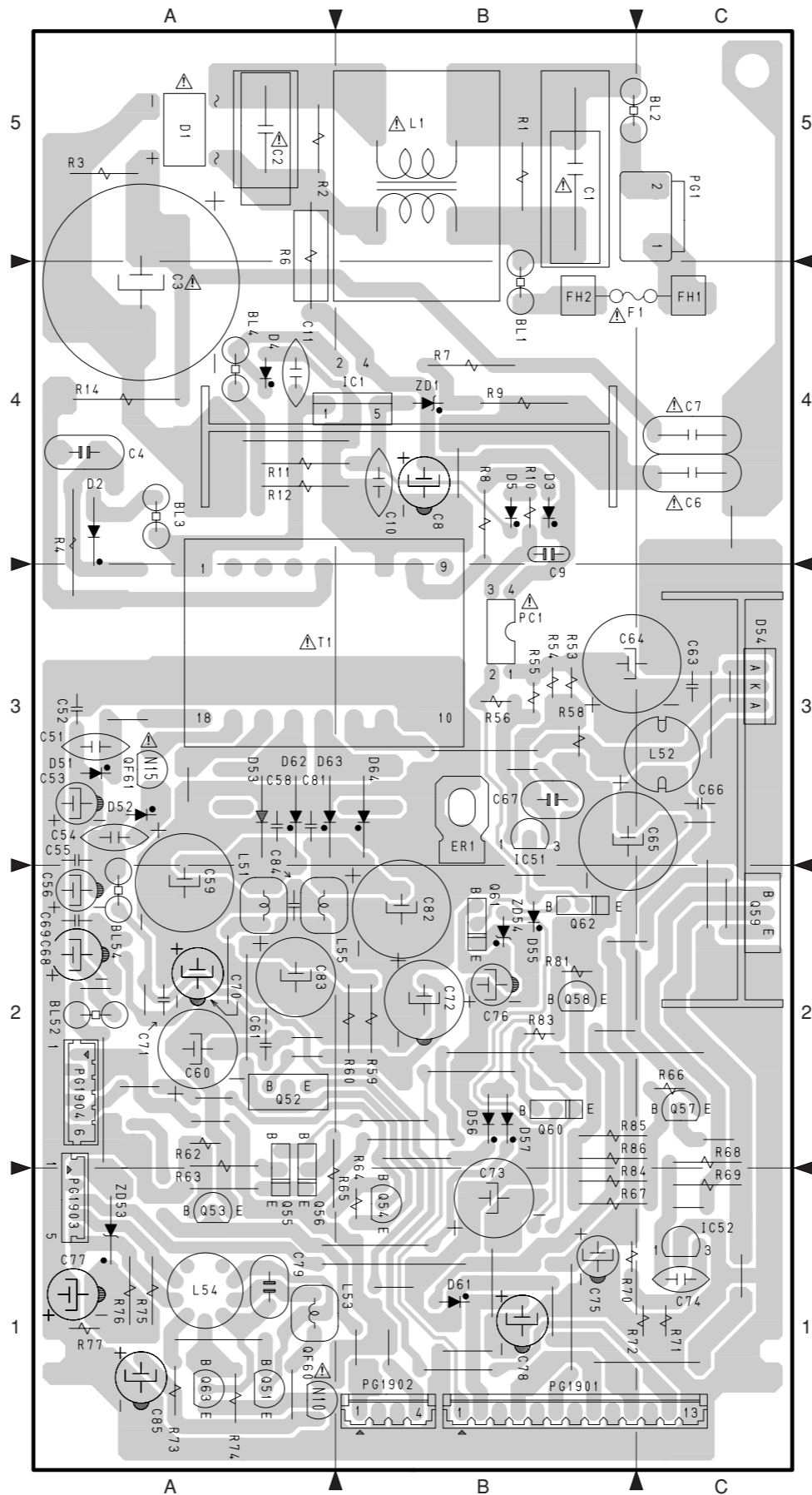
JAK

Symbol No.	Parts Location	Symbol No.	Parts Location	Symbol No.	Parts Location	Symbol No.	Parts Location	Symbol No.	Parts Location
BL		C1586	B-3E	C3521	B-3F	R1316	B-1D	R1577	A-3E
BL1303	B-3F	C1589	B-2B	C3522	B-1F	R1317	B-1D	R1578	A-3E
BL1307	B-1F	C1590	B-2C	C3525	B-3F	R1318	B-1D	R1579	B-2B
BL1309	B-1C	C1591	B-2B	C3526	B-3F	R1319	B-1D	R1580	B-2B
BL1310	B-1C	C1592	B-2C	D		R1320	B-1E	R1581	B-2D
BL1311	B-1D	C1593	A-2C	D1302	B-1E	R1321	B-1E	R1582	B-2C
BL1312	B-1B	C1594	A-2D	D1303	B-2E	R1322	B-1E	R1583	B-2C
BL1313	B-1A	C1595	B-2C	D1304	B-1E	R1323	B-1E	R2523	A-2B
BL1314	B-1A	C1596	B-2C	D1361	B-1C	R1331	B-1G	R2524	A-2B
C		C1597	B-2C	D3301	B-2E	R1332	B-1G	R2531	B-2C
C1301	A-2G	C1598	B-2C	D3302	B-1E	R1333	B-1G	R2532	B-2C
C1302	B-2G	C2505	A-2C	IC		R1334	B-1F	R2533	B-2D
C1304	A-2F	C2506	A-2C	IC1301	B-2F	R1335	B-1F	R2534	B-2D
C1305	B-2F	C2507	B-3E	IC1302	A-1F	R1351	A-1B	R3302	B-1C
C1306	A-1F	C2508	B-2D	IC1303	A-1G	R1352	B-1A	R3303	B-1C
C1307	B-1F	C2510	B-2D	IC1304	B-1G	R1353	B-1A	R3305	B-1D
C1309	B-1G	C2511	B-2D	IC1305	B-3F	R1527	B-2A	R3307	B-2A
C1310	B-1G	C2512	B-2D	IC1507	B-2E	R1528	B-2A	R3501	B-3E
C1312	B-1D	C2513	B-2D	IC1508	B-2A	R1529	B-2A	R3502	B-2E
C1313	B-1D	C2514	B-2D	IC1509	B-2C	R1530	A-2B	R3503	B-3E
C1314	B-1E	C2515	A-2D	IC1510	B-2D	R1531	B-2A	R3504	B-2E
C1316	B-1E	C2516	A-2D	IC1512	B-3F	R1532	B-2B	R3505	B-3E
C1317	B-1D	C2517	B-2D	IC1513	B-2F	R1533	B-2A	R3506	B-2E
C1318	B-1D	C2518	A-2D	IC3301	B-1A	R1534	B-2A	R3507	B-3E
C1319	B-1E	C2519	B-2D	IC3302	B-1A	R1539	B-2B	R3508	B-2E
C1320	B-1F	C2525	A-2D	J		R1540	B-2B	R3509	B-2E
C1321	B-3F	C2526	A-2D	J1301	A-1D	R1543	B-2B	R3510	B-2E
C1322	B-1D	C3301	B-1A	J1304	A-1E	R1544	B-2B	R3511	B-3E
C1325	B-1D	C3302	B-1A	J1305	A-1D	R1545	B-2B	R3512	B-2F
C1330	A-3E	C3310	A-1A	J1306	A-1A	R1546	B-2C	R3513	B-3E
C1331	B-1F	C3311	A-1A	L		R1547	B-2B	R3514	B-2E
C1332	B-1G	C3312	A-1A	L1301	B-1F	R1548	B-2B	R3515	A-2F
C1333	A-2E	C3313	A-1A	L1362	B-1B	R1549	B-2B	R3516	A-2F
C1334	A-1F	C3316	A-1A	PG		R1550	B-2C	R3517	B-2F
C1335	B-1G	C3317	A-1A	PG1301	A-2E	R1551	B-2C	R3518	B-2F
C1338	B-1F	C3318	A-1A	PG1302	A-1C	R1552	B-2C	R3519	B-1E
C1351	B-1A	C3319	A-1A	PG1303	A-3F	R1553	B-2C	R3520	B-1E
C1362	A-2B	C3320	A-1A	PG1304	A-3G	R1554	B-2D	R3523	B-3F
C1370	B-1C	C3321	A-1A	PG1361	A-3G	R1555	B-2C	R3524	B-2F
C1373	B-1A	C3324	B-1A	Q		R1556	B-2C	R3525	B-2B
C1374	A-1F	C3501	B-3E	Q1306	B-1D	R1557	B-2C	R3526	B-2B
C1557	B-2D	C3502	B-2E	Q1307	B-1E	R1558	B-2D	R3527	B-1E
C1558	B-2E	C3503	A-3E	Q1308	B-1E	R1559	B-2C	R3528	B-1E
C1559	B-2A	C3504	A-2E	Q1309	B-1E	R1560	B-2D	R3530	B-3F
C1560	B-2A	C3505	A-3E	Q1310	B-1D	R1561	B-2C	R3531	B-3F
C1561	B-2A	C3506	A-2E	Q1311	B-1D	R1562	B-2D	R3532	B-3F
C1562	B-2A	C3507	A-3E	Q1361	B-1C	R1563	B-2D	T	
C1563	B-2A	C3508	A-2E	Q1362	B-1C	R1564	B-2D	T1301	A-1F
C1564	B-2B	C3509	A-3E	Q1363	B-1B	R1565	B-2D	ZD	
C1565	A-2A	C3510	A-2E	Q3503	B-1E	R1566	B-2D	ZD1301	B-1G
C1566	A-2B	C3511	B-3F	Q3504	B-1E	R1567	B-2D	ZD1303	B-1D
C1567	A-2A	C3512	B-2F	Q3510	B-3F	R1568	B-2D	ZD1304	B-1E
C1568	A-2A	C3515	A-3F	Q3511	B-3F	R1569	B-2D	ZD1306	B-1D
C1571	B-2B	C3516	A-2F	Q3512	B-3F	R1570	B-2C	ZD1351	B-1B
C1572	B-2B	C3517	B-1E	R		R1571	B-2D	ZD1370	B-1C
C1583	A-2B	C3518	B-1E	R1307	B-1F	R1572	B-2B	ZD1372	B-1E
C1584	A-2B	C3519	B-1E	R1314	B-1D	R1573	B-2A	ZD3501	B-1F
C1585	B-2E	C3520	B-3F	R1315	B-1D	R1574	B-2A	ZD3502	B-1E

IF, REG CIRCUIT BOARDS



IF [INTERFACE]
[PATTERN No. JA1756-7]



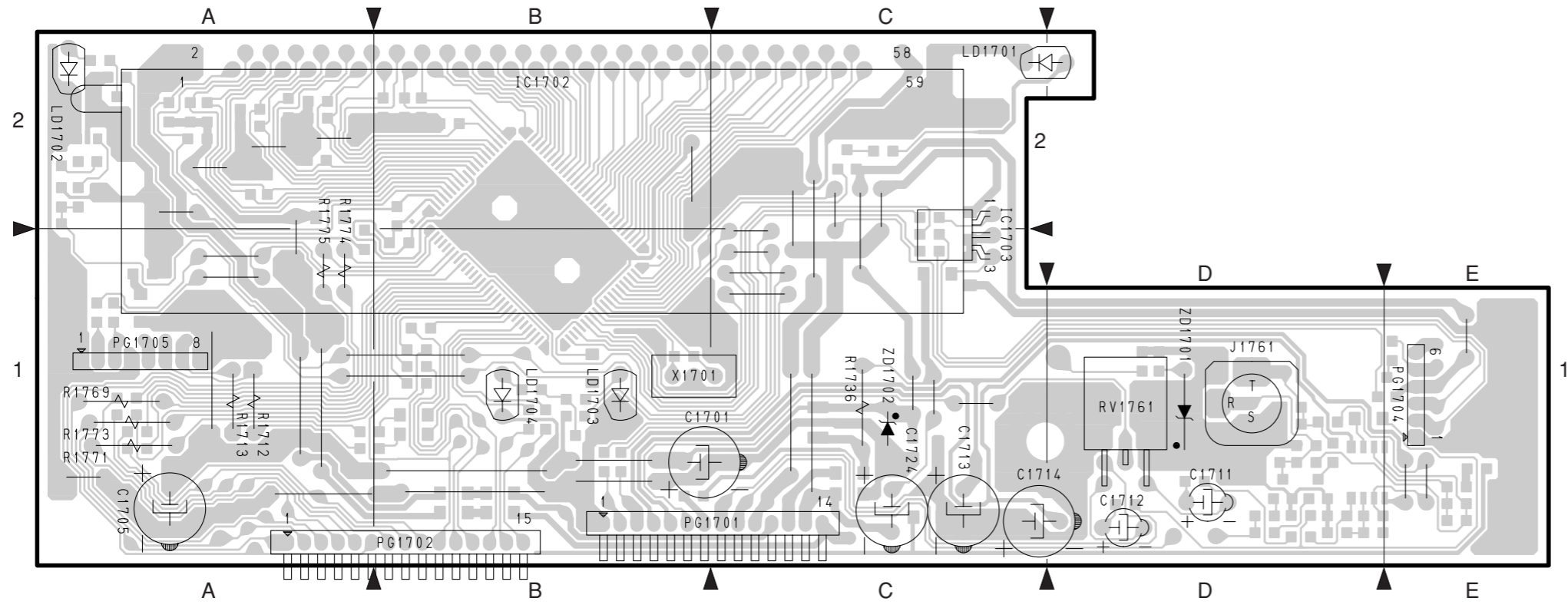
REG [REGULATOR]
[PATTERN No. JK1472-5]

IDENTIFICATION OF PARTS LOCATION

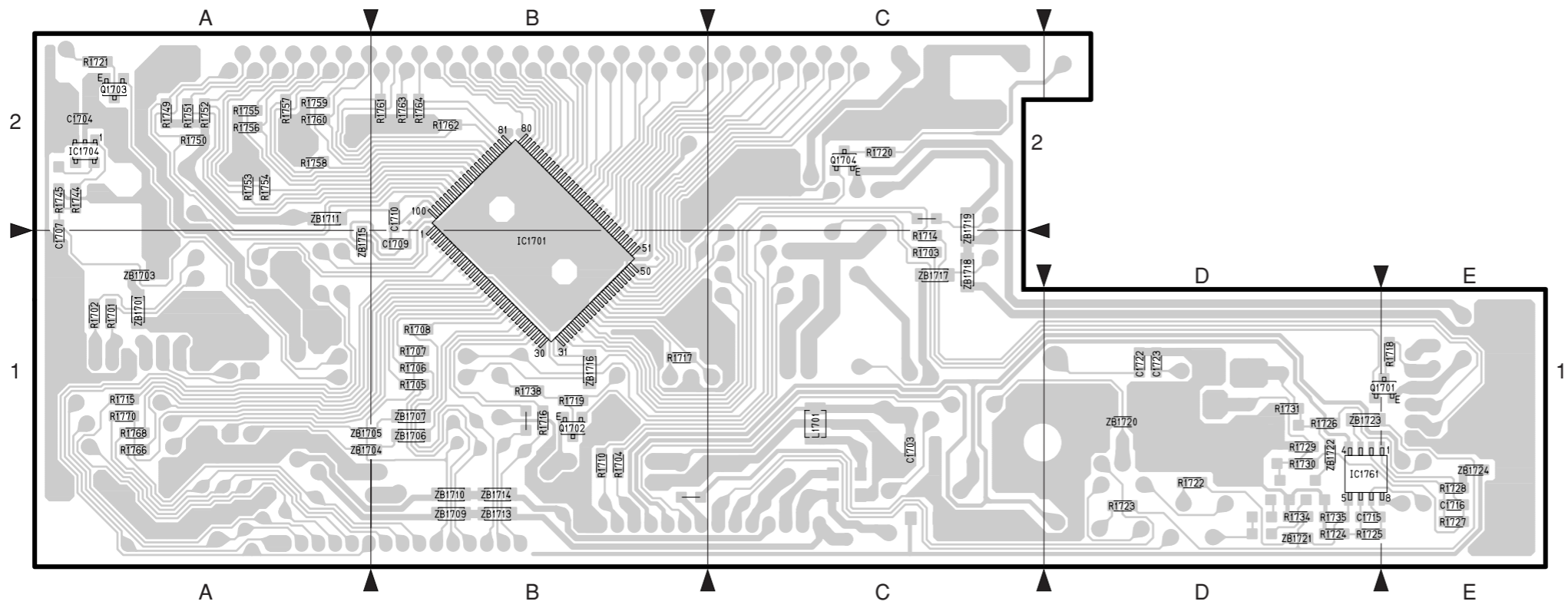
Symbol No.	Parts Location
C	
C1903	3B
C1904	3B
C1909	3B
C1911	3B
C1914	3B
C1915	3B
C1920	2B
C1921	2B
C1922	3B
C1923	3A
C1928	3B
CN	
CN1901	4A
D	
D1901	3B
PG	
PG1901	3A
PG1902	3B
PG1903	4B
PG1904	1B
PG1905	2A
PG1906	1B
PG1907	1A
R	
R1901	3A
R1903	3A
R1904	3A
R1905	3A
R1911	3A
R1913	3A
R1917	2B
R1918	2B
R1919	2B
R1920	2B
R1921	3B
R1922	3B
R1924	3B
R1926	3B
R1927	3B
R1928	2B
R1940	3A

Symbol No.	Parts Location	Symbol No.	Parts Location	Symbol No.	Parts Location
BL		D0053	3A	R0007	4B
BL0001	4B	D0054	3C	R0008	4B
BL0002	5B	D0055	2B	R0009	4B
BL0003	4A	D0056	2B	R0010	4B
BL0004	4A	D0057	2B	R0011	4A
BL0052	2A	D0061	1B	R0012	4A
BL0054	2A	D0062	3A	R0014	4A
C		D0063	3A	R0053	3B
C0001	5B	D0064	3B	R0054	3B
C0002	5A	ER		R0055	3B
C0003	4A	ER0001	3B	R0056	3B
C0004	4A	F		R0058	3B
C0006	4C	F0001	4B	R0059	2B
C0007	4C	FH		R0060	2B
C0008	4B	FH0001	4C	R0062	2A
C0009	4B	FH0002	4B	R0063	2A
C0010	4B	IC		R0064	1B
C0011	4A	IC0001	4B	R0065	1A
C0051	3A	IC0051	3B	R0066	2C
C0052	3A	IC0052	1C	R0067	1B
C0053	3A	L		R0068	2C
C0054	3A	L0001	5B	R0069	1C
C0055	3A	L0051	2A	R0070	1B
C0056	2A	L0052	3C	R0071	1C
C0058	3A	L0053	1A	R0072	1C
C0059	2A	L0054	1A	R0073	1A
C0060	2A	L0055	2A	R0074	1A
C0061	2A	PC		R0075	1A
C0063	3C	PC0001	3B	R0076	1A
C0064	3B	PG		R0077	1A
C0065	3B	PG0001	5C	R0081	2B
C0066	3C	PG1901	1B	R0083	2B
C0067	3B	PG1902	1B	R0084	1B
C0068	2A	PG1903	1A	R0085	2B
C0069	2A	PG1904	2A	R0086	2B
C0070	2A	Q		T	
C0071	2A	Q0051	1A	T0001	3A
C0072	2B	Q0052	2A	ZD	
C0073	1B	Q0053	1A	ZD0001	4B
C0074	1C	Q0054	1B	ZD0053	1A
C0075	1B	Q0055	1A	ZD0054	2B
C0076	2B	Q0056	1A		
C0077	1A	Q0057	2C		
C0078	1B	Q0058	2B		
C0079	1A	Q0059	2C		
C0081	3A	Q0060	2B		
C0082	2B	Q0061	2B		
C0083	2A	Q0062	2B		
C0084	2A	Q0063	1A		
C0085	1A	QF			
D		QF0060	1A		
D0001	5A	QF0061	3A		
D0002	4A	R			
D0003	4B	R0001	5B		
D0004	4A	R0002	5A		
D0005	4B	R0003	5A		
D0051	3A	R0004	4A		
D0052	3A	R0006	5A		

FLHP CIRCUIT BOARD



FLHP [LCD DISPLAY] -SIDE A-

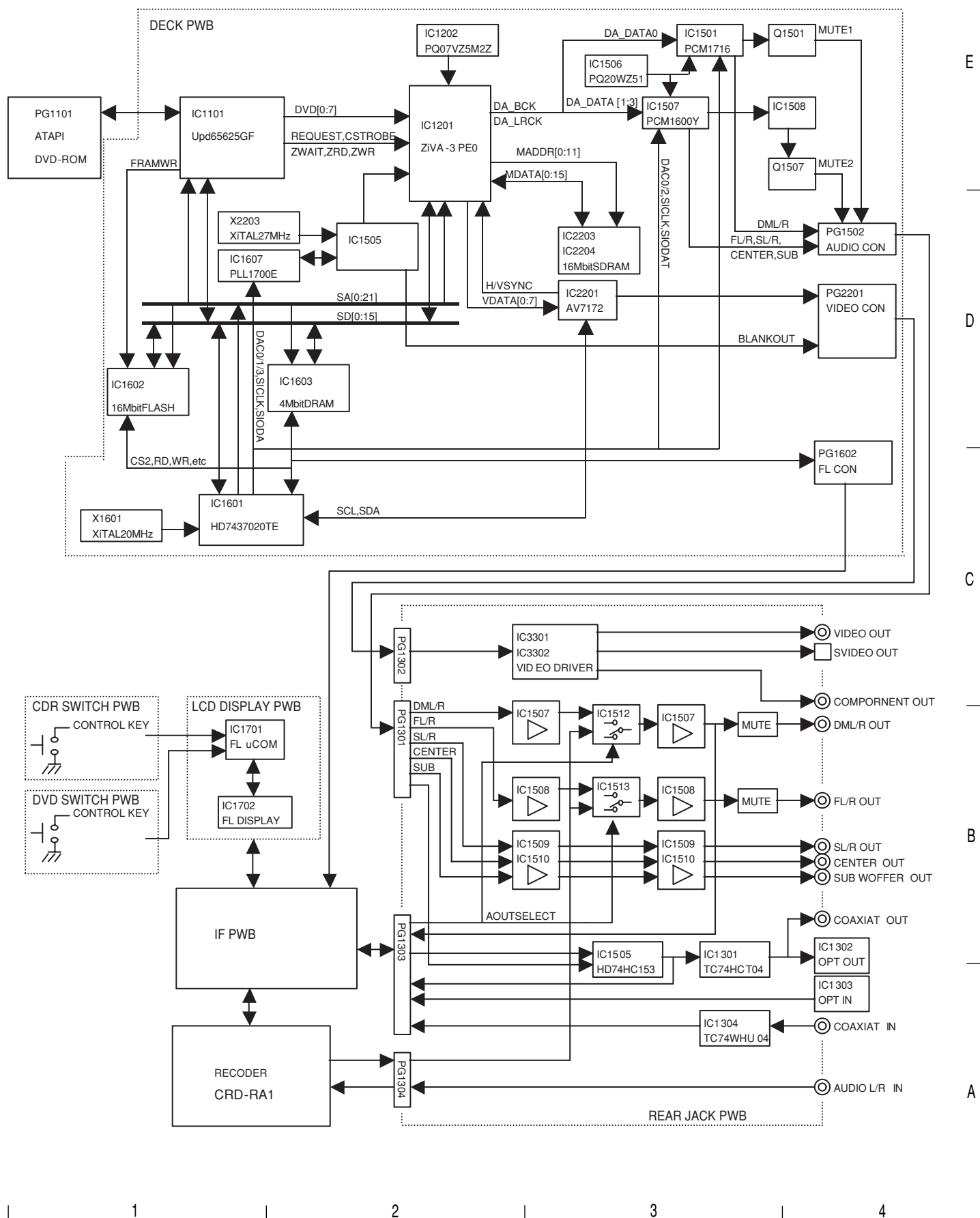


FLHP [LCD DISPLAY] -SIDE B-
[PATTERN No.JA1756-7]

IDENTIFICATION OF PARTS LOCATION

FLHP		Symbol No.	Parts Location	Symbol No.	Parts Location
C		C1701	A-1B	R1718	B-1E
		C1703	B-1C	R1719	B-1B
		C1704	B-2A	R1720	B-2C
		C1705	A-1A	R1721	B-2A
		C1707	B-1A	R1722	B-1D
		C1709	B-1B	R1723	B-1D
		C1710	B-2B	R1724	B-1D
		C1711	A-1D	R1725	B-1D
		C1712	A-1D	R1726	B-1D
		C1713	A-1C	R1727	B-1E
		C1714	A-1C	R1728	B-1E
		C1715	B-1D	R1729	B-1D
		C1716	B-1E	R1730	B-1D
		C1722	B-1D	R1731	B-1D
		C1723	B-1D	R1734	B-1D
		C1724	A-1C	R1735	B-1D
				R1736	A-1C
IC		IC1701	B-1B	R1738	B-1B
		IC1702	A-2B	R1744	B-2A
		IC1703	A-1C	R1745	B-2A
		IC1704	B-2A	R1749	B-2A
		IC1761	B-1D	R1750	B-2A
				R1751	B-2A
J		J1761	A-1D	R1752	B-2A
				R1753	B-2A
L		L1701	B-1C	R1754	B-2A
				R1755	B-2A
LD		LD1701	A-2C	R1756	B-2A
		LD1702	A-2A	R1757	B-2A
		LD1703	A-1B	R1758	B-2A
		LD1704	A-1B	R1759	B-2A
				R1760	B-2A
PG		PG1701	A-1B	R1761	B-2B
		PG1702	A-1B	R1762	B-2B
		PG1704	A-1E	R1763	B-2B
		PG1705	A-1A	R1764	B-2B
				R1766	B-1A
Q		Q1701	B-1E	R1768	B-1A
		Q1702	B-1B	R1769	A-1A
		Q1703	B-2A	R1770	B-1A
		Q1704	B-2C	R1771	A-1A
				R1773	A-1A
R		R1701	B-1A	R1774	A-1A
		R1702	B-1A	R1775	A-1A
		R1703	B-1C	RV	
		R1704	B-1B	RV1761	A-1D
		R1705	B-1B	X	
		R1706	B-1B	X1701	A-1B
		R1707	B-1B	ZD	
		R1708	B-1B	ZD1701	A-1D
		R1710	B-1B	ZD1702	A-1C
		R1712	A-1A		
		R1713	A-1A		
		R1714	B-1C		
		R1715	B-1A		
		R1716	B-1B		
		R1717	B-1B		

BLOCK DIAGRAM



HITACHI