

HITACHI

SM0102



SERVICE MANUAL MANUEL D'ENTRETIEN WARTUNGSHANDBUCH

HTA-DD1E
HTA-DD1EBS
HTA-DD1W
HTA-DD1WUN

CAUTION:

Before servicing this chassis, it is important that the service technician read the "Safety Precautions" and "Product Safety Notices" in this service manual.

ATTENTION:

Avant d'effectuer l'entretien du châssis, le technicien doit lire les «Précautions de sécurité» et les «Notices de sécurité du produit» présentés dans le présent manuel.

VORSICHT:

Vor Öffnen des Gehäuses hat der Service-Ingenieur die „Sicherheitshinweise" und „Hinweise zur Produktsicherheit" in diesem Wartungshandbuch zu lesen.

Data contained within this Service manual is subject to alteration for improvement.

Les données fournies dans le présent manuel d'entretien peuvent faire l'objet de modifications en vue de perfectionner le produit.

Die in diesem Wartungshandbuch enthaltenen Spezifikationen können sich zwecks Verbesserungen ändern.



CONTENTS

SPECIFICATIONS	4
SERVICE POINTS	5
ADJUSTMENTS	9
WIRING DIAGRAM	11
PRINTED WIRING BOARD	12
CIRCUIT DIAGRAM.....	22
BLOCK DIAGRAM.....	28
EXPLODED VIEW.....	29
REPLACEMENT PARTS LIST	30

SPECIFICATIONS AND PARTS ARE SUBJECT TO CHANGE FOR IMPROVEMENT

**AV SURROUND RECEIVER
September 2000**


ENGLISH

SAFETY PRECAUTIONS

WARNING: The following precautions must be observed.

ALL PRODUCTS

Before any service is performed on the chassis an isolation transformer should be inserted between the power line and the product.

1. When replacing the chassis in the cabinet, ensure all the protective devices are put back in place.
2. When service is required, observe the original lead dressing. Extra precaution should be taken to ensure correct lead dressing in any high voltage circuitry area.
3. Many electrical and mechanical parts in HITACHI products have special safety related characteristics. These characteristics are often not evident from visual inspection, nor can the protection afforded by them necessarily be obtained by using replacement components rated for higher voltage, wattage, etc. Replacement parts which have these special safety characteristics are identified by marking with a  on the schematics and the replacement parts list.
The use of a substitute replacement component that does not have the same safety characteristics as the HITACHI recommended replacement one, shown in the parts list, may create electrical shock, fire, X-radiation, or other hazards.
4. Always replace original spacers and maintain lead lengths. Furthermore, where a short circuit has occurred, replace those components that indicate evidence of overheating.
5. Insulation resistance should not be less than 2M ohms at 500V DC between the main poles and any accessible metal parts.
6. No flashover or breakdown should occur during the dielectric strength test, applying 3kV AC or 4.25kV DC for two seconds between the main poles and accessible metal parts.
7. Before returning a serviced product to the customer, the service technician must thoroughly test the unit to be certain that it is completely safe to operate without danger of electrical shock. The service technician must make sure that no protective device built into the instrument by the manufacturer has become defective, or inadvertently damaged during servicing.

CE MARK

1. HITACHI products may contain the CE mark on the rating plate indicating that the product contains parts that have been specifically approved to provide electromagnetic compatibility to designated levels.
2. When replacing any part in this product, please use only the correct part itemised in the parts list to ensure this standard is maintained, and take care to replace lead dressing to its original state, as this can have a bearing on the electromagnetic radiation/immunity.

PICTURE TUBE

1. The line output stage can develop voltages in excess of 25kV; if the E.H.T. cap is required to be removed, discharge the anode to chassis via a high value resistor, prior to its removal from the picture tube.
2. High voltage should always be kept at the rated value of the chassis and no higher. Operating at higher voltages may cause a failure of the picture tube or high voltage supply, and also, under certain circumstances could produce X-radiation levels moderately in excess of design levels. The high voltage must not, under any circumstances, exceed 29kV on the chassis (except for projection Televisions).
3. The primary source of X-radiation in the product is the picture tube. The picture tube utilised for the above mentioned function in this chassis is specially constructed to limit X-radiation. For continued X-radiation protection, replace tube with the same type as the original HITACHI approved type
4. Keep the picture tube away from the body while handling. Do not install, remove, or handle the picture tube in any manner unless shatterproof goggles are worn. People not so equipped should be kept away while picture tubes are handled

LASERS

If the product contains a laser avoid direct exposure to the beam when the cover is open or when interlocks are defeated or have failed.

WARNING


Check that exposed parts are acceptably insulated from the supply circuit before returning the repaired instrument to the customer.

CHECKING METHOD

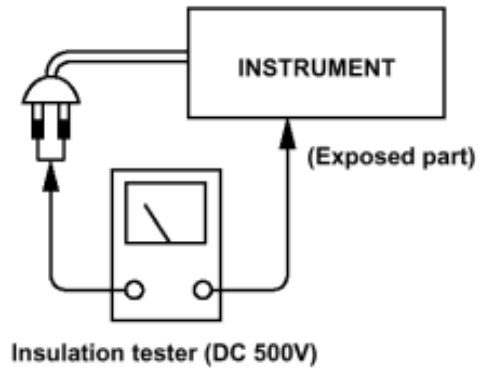
Measure the resistance value between the both poles of attachment cup (power supply plug) and the exposed parts (parts such as covers etc. where the customer can easily touch) and check that the resistance value is 500k ohms or more.

SAFETY PRECAUTIONS

The following precautions should be observed when servicing.

Since many parts in the unit have special safety related characteristics, always use genuine HITACHI replacement parts. Especially critical parts in the power circuit block should not be replaced with other makers. Critical parts are marked with a  in the circuit diagram and printed wiring board.

Before returning a repaired unit to the customer, the service technician must thoroughly test the unit to ascertain that it is completely safe to operate without danger of electrical shock.



SPECIFICATIONS

● Audio section

(Power amplifier)

Rated output:	Front: 60 W + 60 W Centre: 60 W Surround: 60 W + 60 W	(8W/ohms, 20 Hz ~ 20 kHz with 0.08 % T.H.D.) (8W/ohms, 20 Hz ~ 20 kHz with 0.08 % T.H.D.) (8W/ohms, 20 Hz ~ 20 kHz with 0.08 % T.H.D.)
Output terminals	Front: A or B A + B Center/Surround:	8 to 16W/ohms 16W/ohms or more 8 to 16W/ohms

(Analog)

LINE input - PRE OUT

Input sensitivity / input impedance:	200 mV / 47 kW/kohms
Frequency response:	10 Hz ~ 50 kHz: +1, -3 dB
S/N ratio:	92 dB (IHF-A weighted)
Total harmonic distortion:	0.08 % (20 Hz ~ 20 kHz)
Rated output:	1.2 V

PHONO input-REC OUT

Input sensitivity / input impedance:	2.5 mV / 47 kW/kohms
RIAA deviation:	±1 dB (20 Hz ~ 20 kHz)
S/N ratio:	74 dB (IHF-A weighted, with 5 mV input)
Total harmonic distortion:	0.03 % (1 kHz, 3 V)
Rated output / Maximum output:	150 mV / 7V

● Video section

(standard video jacks)

Input/output level and impedance:	1 Vp-p, 75 W/ohms
Frequency response:	5 Hz ~ 10 MHz +1, -3 dB

● Tuner section

Receiving range:	[FM] (note: μV at 75 W/ohms, 0 dBf = 1×10^{-15} W) 87.50 MHz ~ 108 MHz (0.05 MHz step)	[AM] 522 kHz ~ 1611 kHz (9 kHz step) (E, EBS), 522 kHz ~ 1611 kHz (9 kHz step) (W, WUN) 520 kHz ~ 1710 kHz (10 kHz step) (W, WUN) 18 μV
Usable sensitivity:	1.0 μV (11.2 dBf)	
50 dB quieting sensitivity:	MONO 1.6 μV (15.3 dBf) STEREO 23 μV (38.5 dBf)	
S/N ratio:	MONO 80 dB (IHF-A weighted) STEREO 75 dB (IHF-A weighted)	
Total harmonic distortion:	MONO 0.2 % (1 kHz) STEREO 0.4 % (1 kHz)	

● General

Power supply:	AC 230 V, 50 Hz (E, EBS), AC 115/230 V, 50/60 Hz (W, WUN)
Power consumption:	180 W
Maximum external dimensions:	434 (W) \times 144 (H) \times 320 (D) mm
Weight:	7.1 kg

● Remote control unit (RB-DD1S)

Batteries:	R6P/AA Type (two batteries)
External dimensions:	54 (W) \times 172 (H) \times 27.2 (D) mm
Weight:	100 g (including batteries)

● Accessory supplied

Operating instructions, Remote control unit (RB-DD1S),
R6P/AA batteries, AM loop antenna and FM indoor antenna

* For purposes of improvement, specifications and design are subject to change without notice.

SERVICE POINTS

1. Removal of Top Cover

(a) Remove 4 screws 2 from the rear plate.

(b) Remove 2 screws 1 from each side.

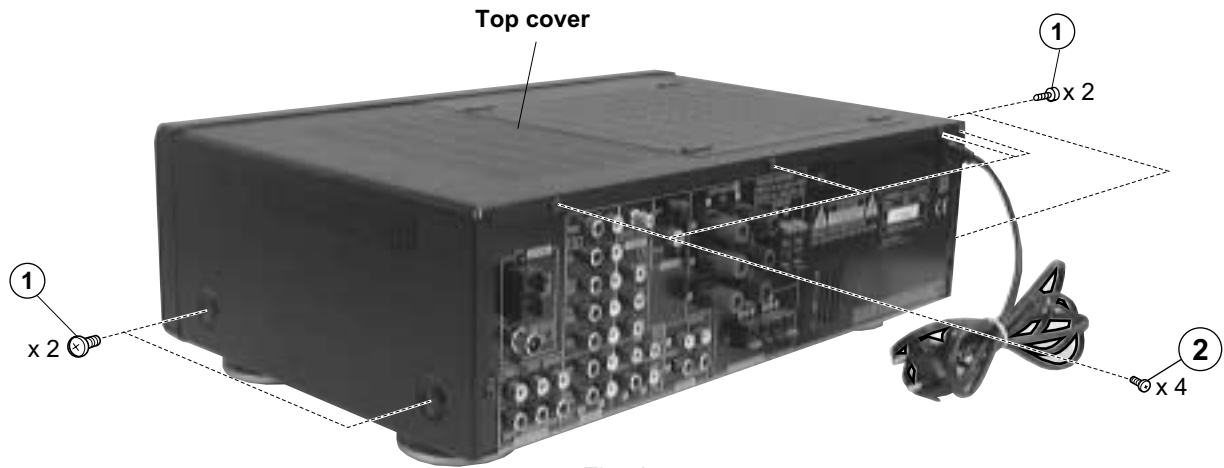


Fig. 1

2. Removal of the Rear Plate

(a) Remove 23 screws 3 and 1 screw 4 from the rear plate.

(b) Remove 5 screws + from the Bottom Chassis.

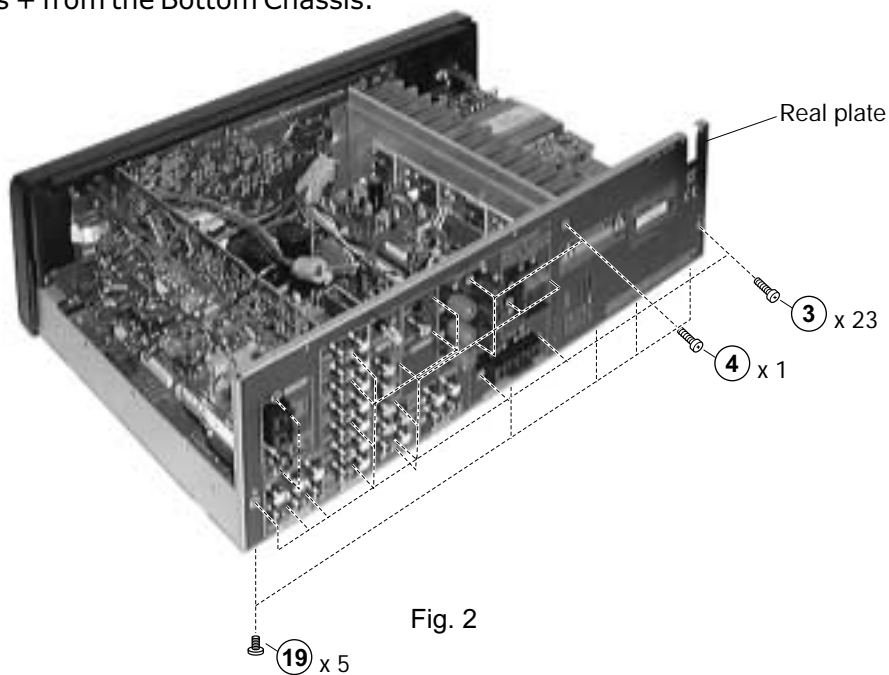
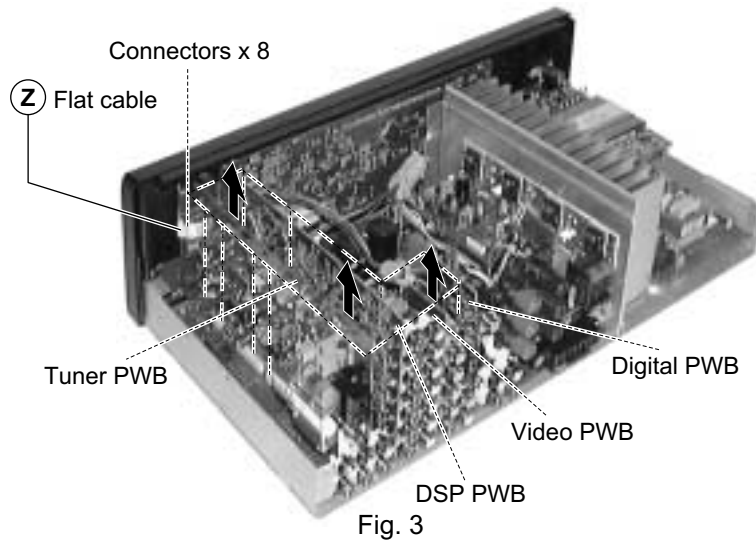


Fig. 2

3. Removal of Tuner/DSP/Video/Digital PWB Board

- (a) Remove the Flat cable Z at the Tuner PWB.
- (b) Gently pull the Tuner/DSP/Video PWB Board upwards to detach 8 connectors from Main PWB Board.
- (c) Detach the connector from DSP PWB Board to remove the Digital PWB.



4. Removal of Heat Sink and Transformer

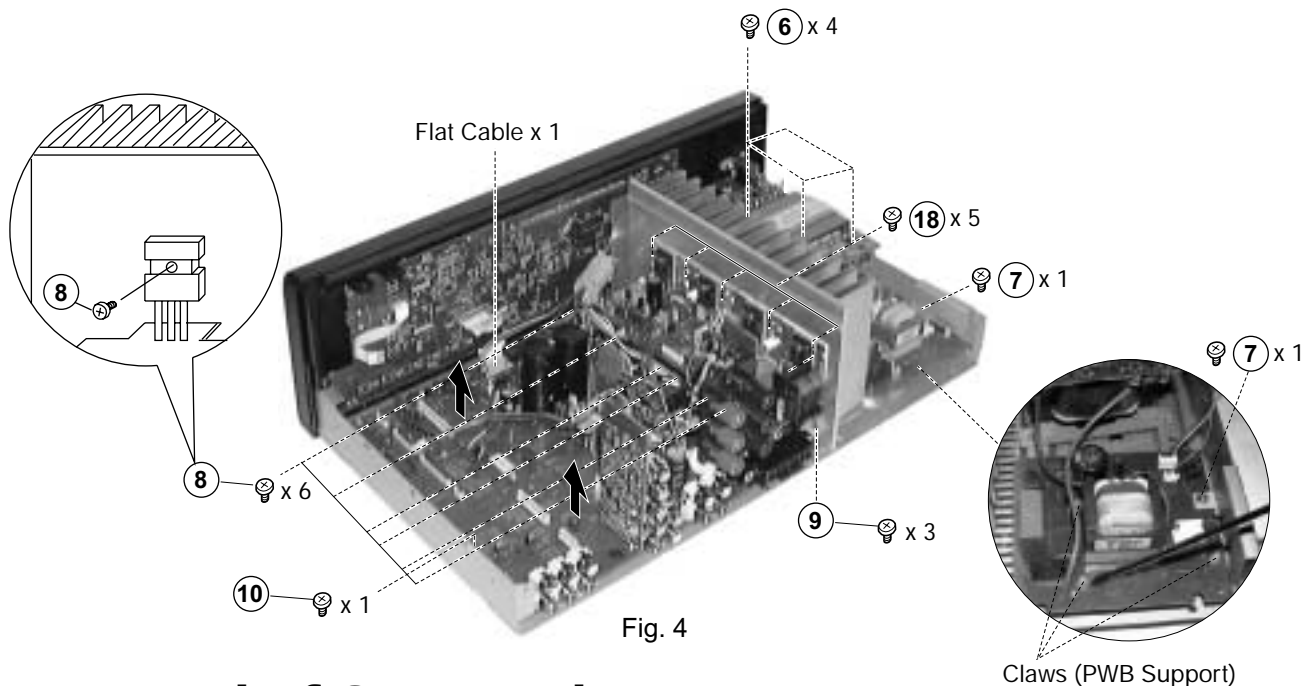
- (a) Invert the Bottom Chassis, remove 2 screws 5 connect to the heat sink. (Fig. 5)
- (b) Remove 4 screws 6 and pull the transformer upward together with the Power PWB section.

5. Removal of Power PWB Board

- (a) Remove 1 screw 7 from the Bottom Chassis at the side.
- (b) Release board from its 3 holding claws (PWB SUPPORT) and gently pull the board free.

6. Removal of Main PWB Board

- (a) Detach Flat cable from FL PWB Board.
- (b) Remove 6 screws 8 to release the transistors from the heat sink.
- (c) Remove 3 screws 9 to release the bracket from the heat sink.
- (d) Remove 1 screw ! to release the main PWB from the Bottom Chassis.



7. Removal of Surround PWB

- (a) Remove 5 screws ~ to release surround PWB from the heat sink.

8. Removal of Front Panel

(a) Invert the Bottom Chassis and remove 4 screws ".

(b) Remove the Master Vol. & Bass/Treble Knob before remove the Front panel.

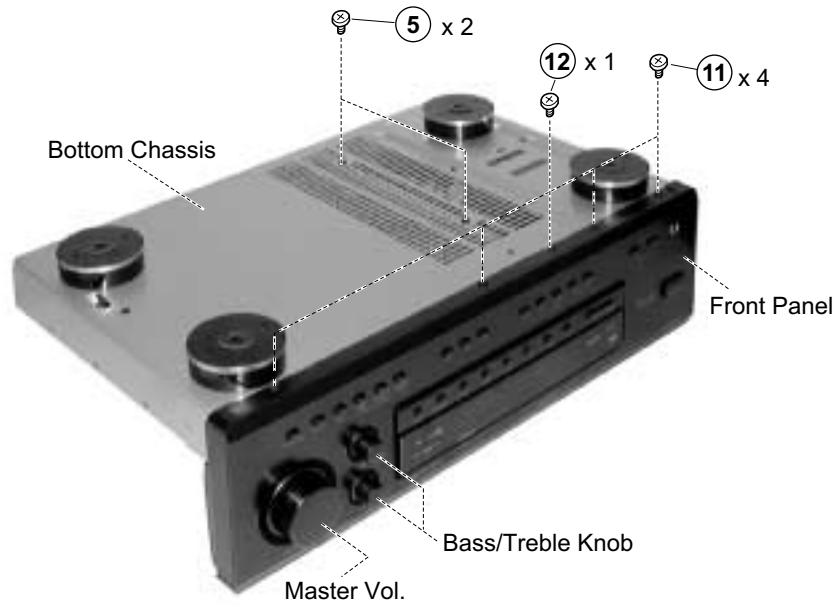


Fig. 5

9. Removal of Inner Panel, Power Switch, Phone Jack and FL PWB

(a) Release the inner panel from the Bottom Chassis by remove 1 screw # (Fig. 5) and 2 screws \$.

(b) Remove 11 screws % and 3 nuts to release the FL board.

(c) Remove 2 screws & to release the Power Switch.

(d) Remove 2 screws (to release the Phone Jack.

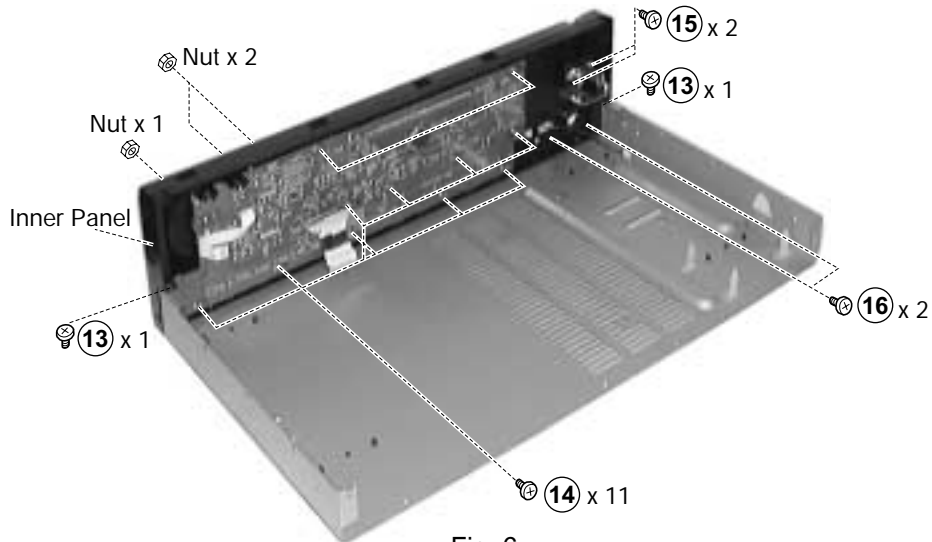


Fig. 6

10. Removal of Foot

(a) Remove 4 screws) to remove foot.

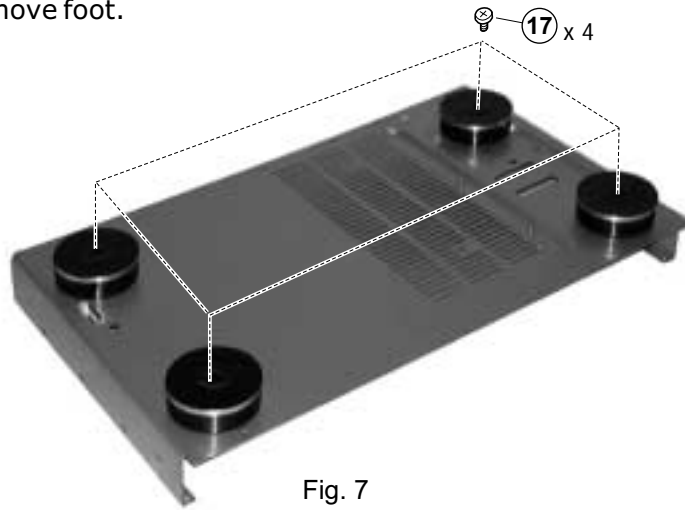


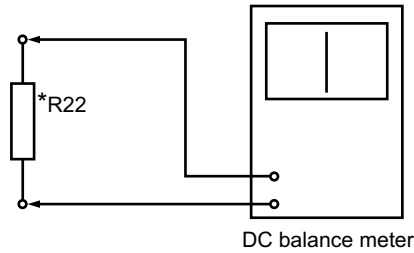
Fig. 7

ADJUSTMENTS

1) FM Discriminator

Measuring instrument and condition.

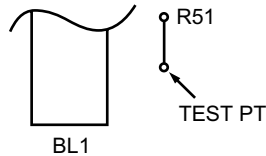
Input Terminal	Output Terminal	Measuring Instrument	Frequency	Adjust	Reading
FM Antenna 1kHz, 60 dB μ 22.5kHz dev.	* R22	DC Balance Meter	98.1MHz	T4	0 \pm 30mV



2) Voltage of covering (Reference)

Measuring instrument and condition.

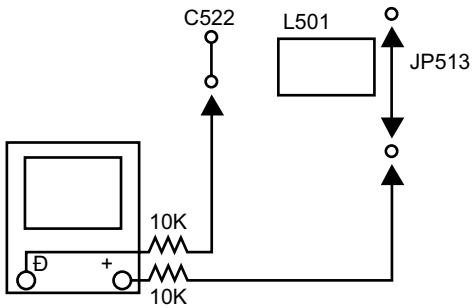
Band	Destination	Frequency	Specification		Note
			Limit (V)	Average (V)	
FM	50 kHz step [E, EBS, W, WUN]	87.50 MHz	1.3 - 3.7	2.3	
		108.00 MHz	6.0 - 9.0	7.5	
AM	10 kHz step [W, WUN]	520 kHz	0.9 - 1.2	1.0	
		1,710 kHz	6.0 - 9.0	7.5	
	9 kHz step [E, EBS, W, WUN]	522 MHz	0.9 - 1.2	1.0	
		1,611 kHz	6.0 - 9.0	7.5	



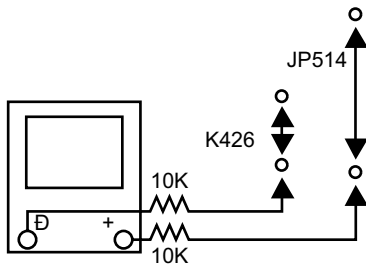
3) Idling voltage (No adjustment is needed)

Test points

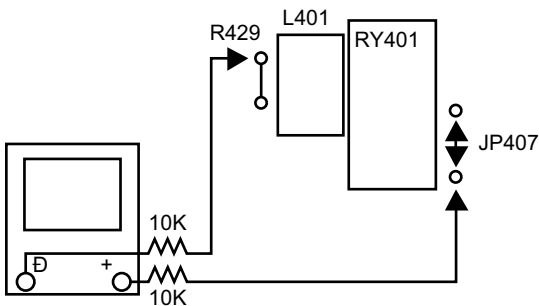
a) Front left channel (MAIN PWB)



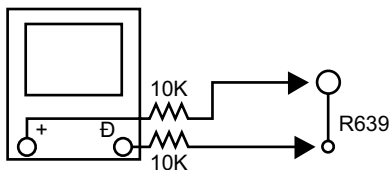
b) Front right channel (MAIN PWB)



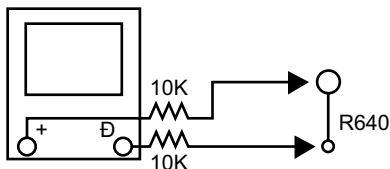
c) Center channel (MAIN PWB)



d) Surr left channel (SURR PWB)



e) Surr right channel (SURR PWB)



Condition

Master volume : --- (min)

Temperature : 15 ~ 30°C

Reading (SPEC)

- 1) POWER ON AFTER ONE MIN.
0.5 ~ 2.0 mV
- 2) STABLE Æ 1 HOUR
0.8 ~ 8 mV

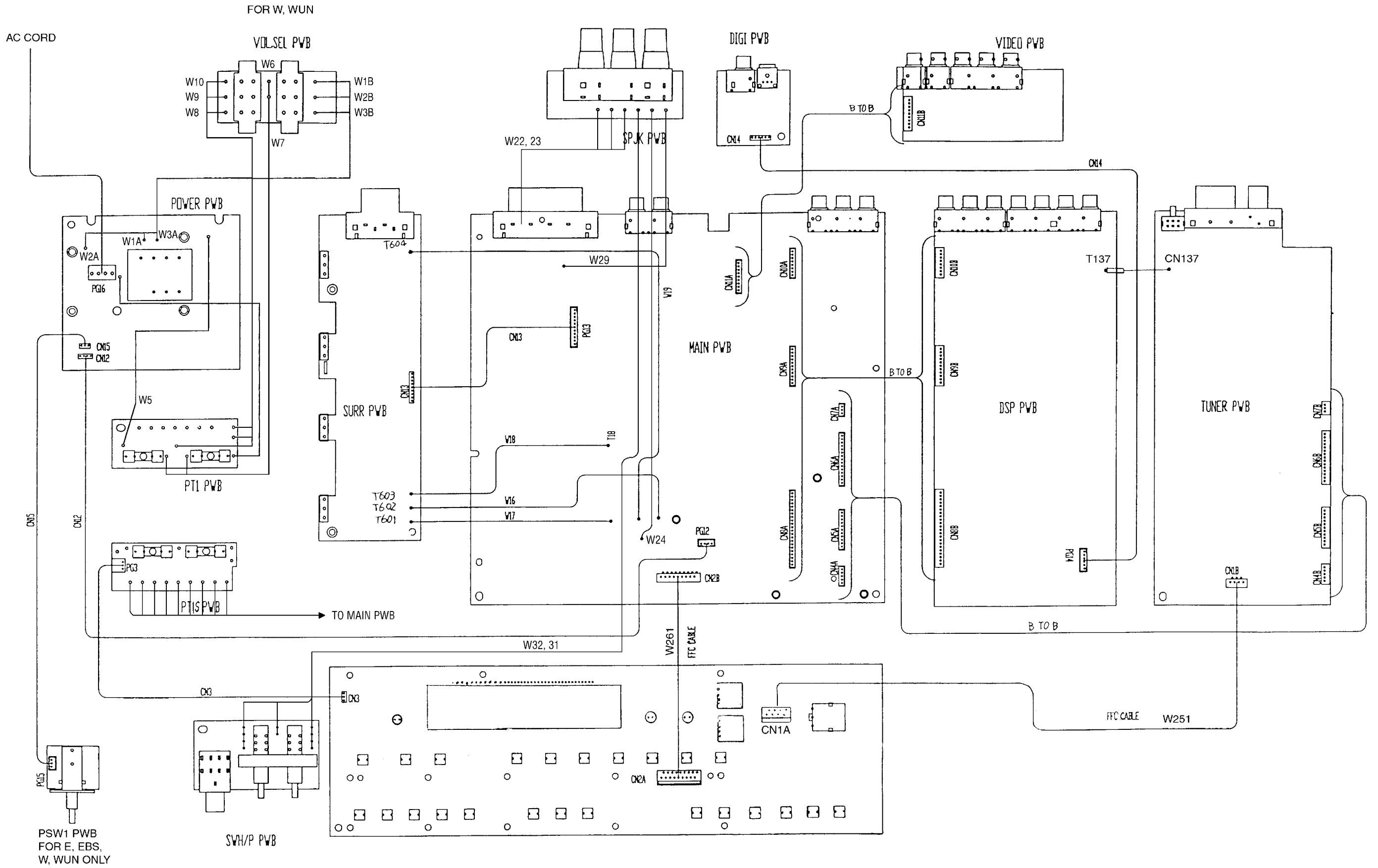
- IF THIS IDLING VOLT - 0.4 mV
R625 (SURROUND LEFT)
R626 (SURROUND RIGHT)
R529 (FRONT LEFT)
R530 (FRONT RIGHT)
R416 (CENTER)

NEED TO CUT AWAY

- IF 2.1 mV

NEED TO ADD ABOVE RESISTOR

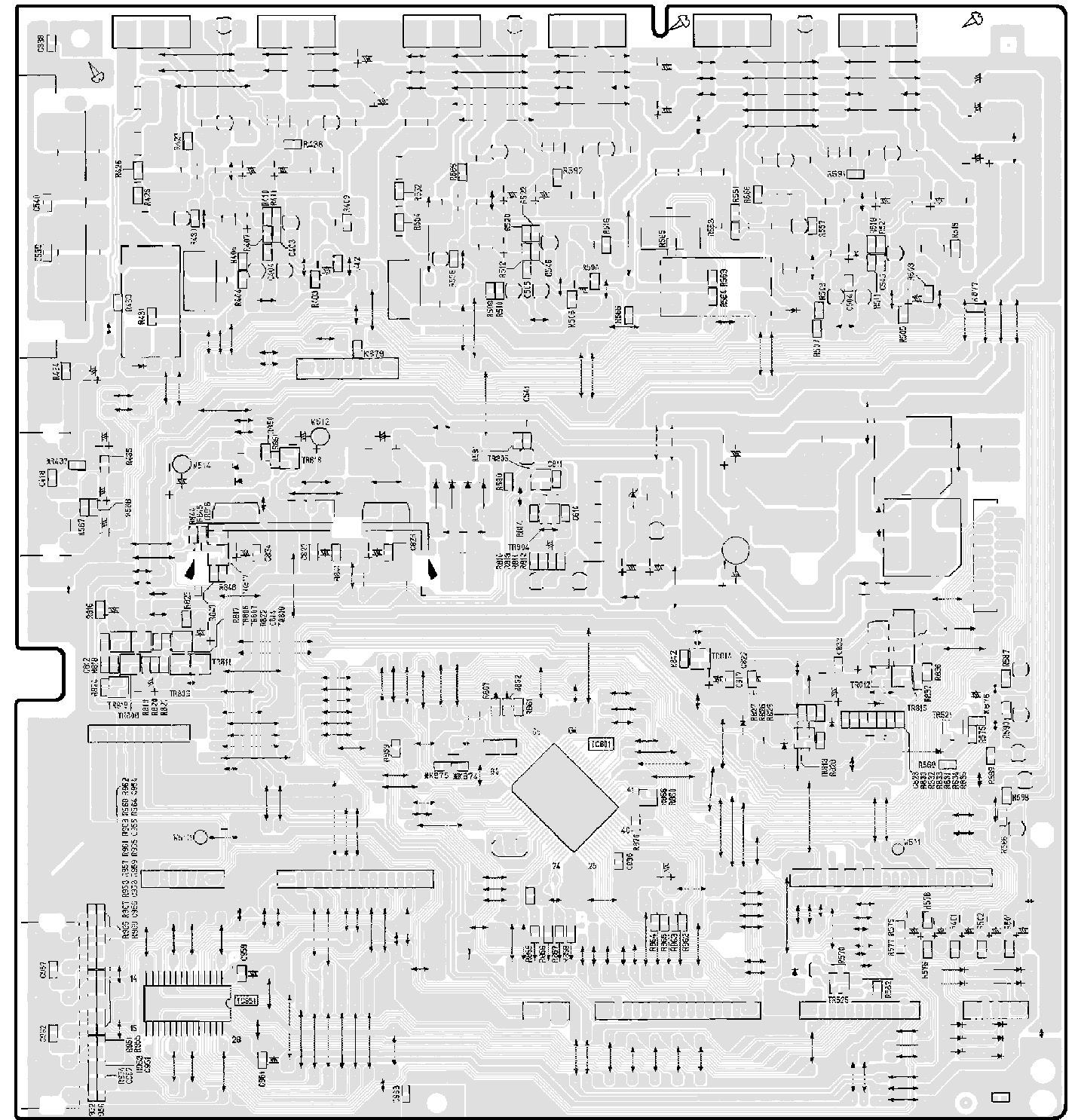
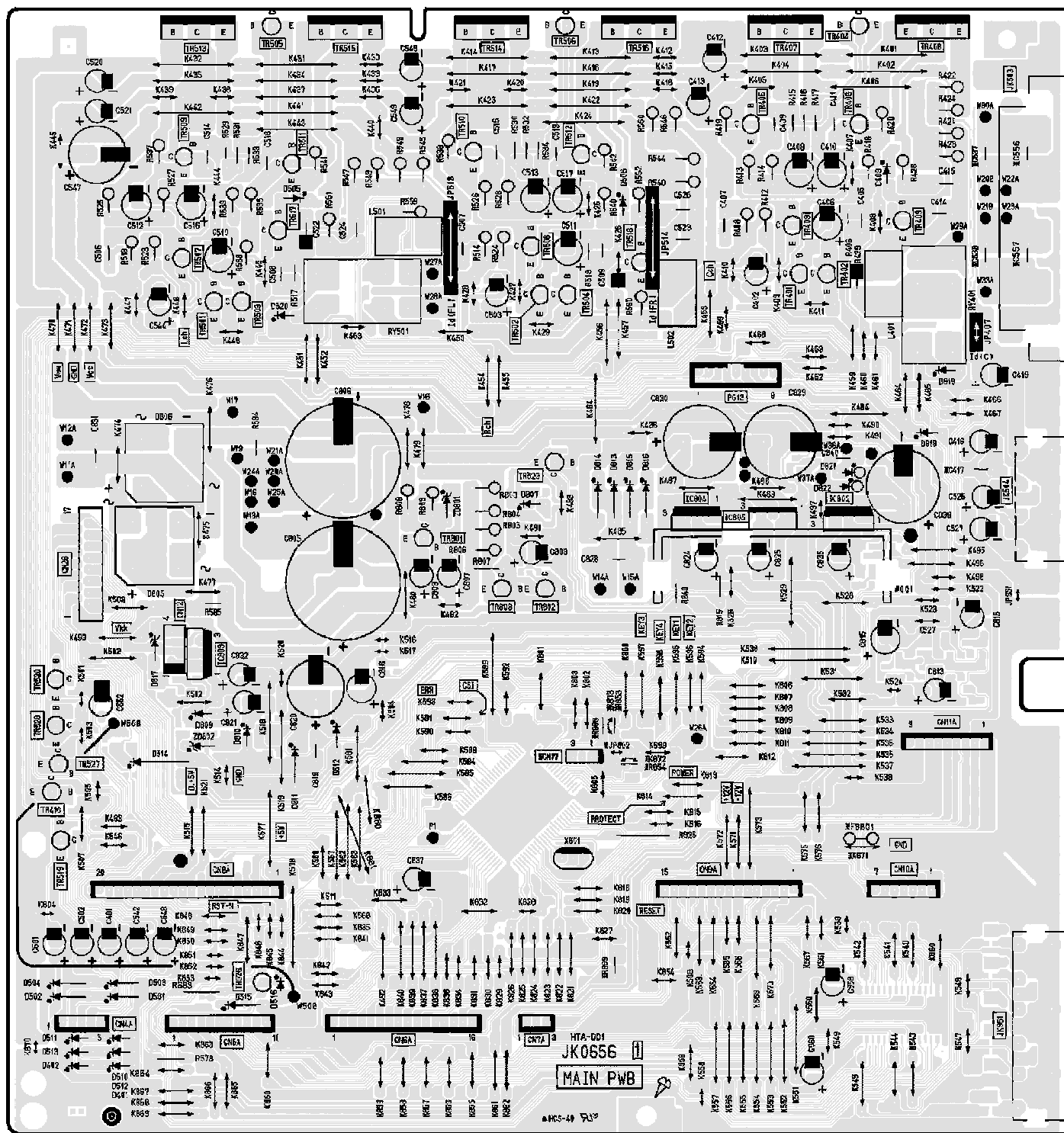
(IF DON'T HAVE ABOVE RESISTOR)



SM0102

WIRING DIAGRAM

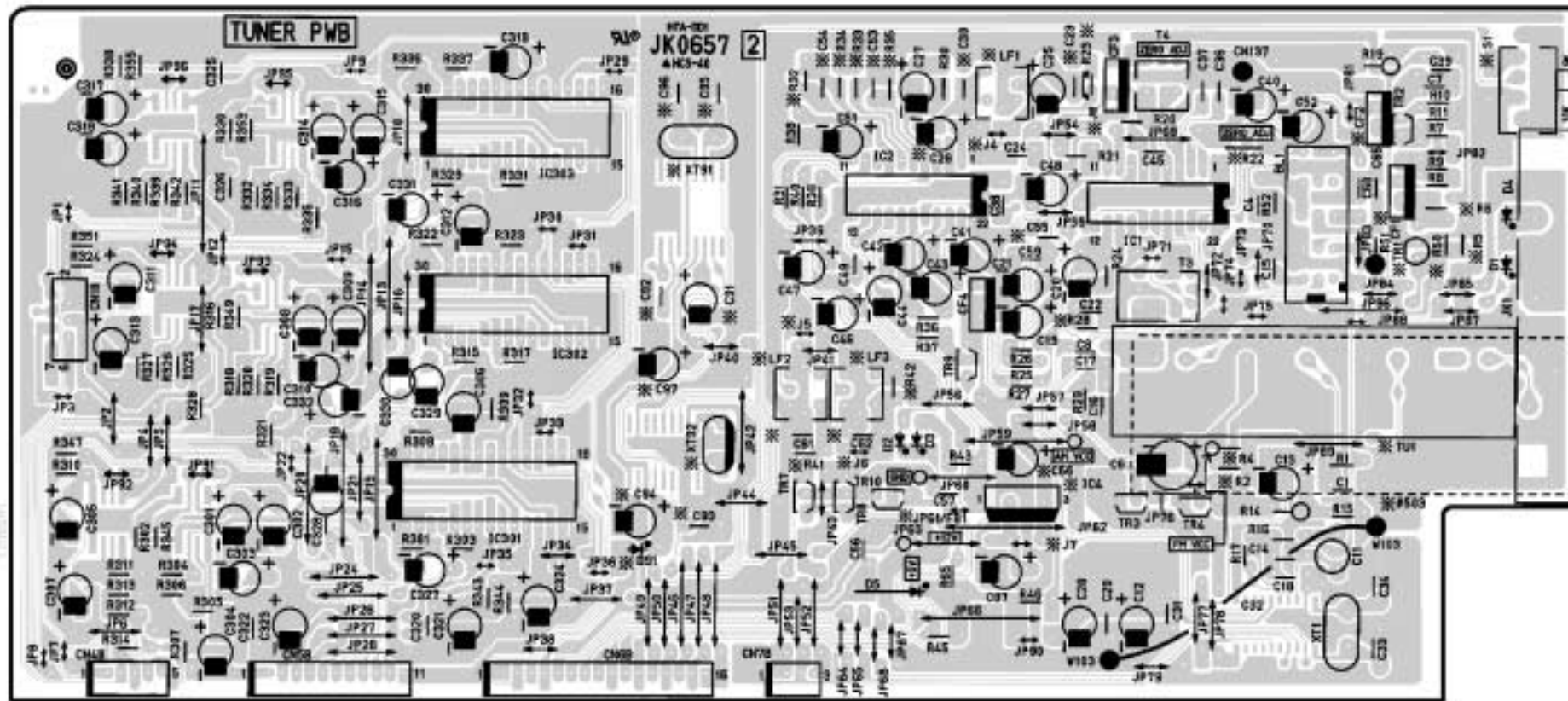
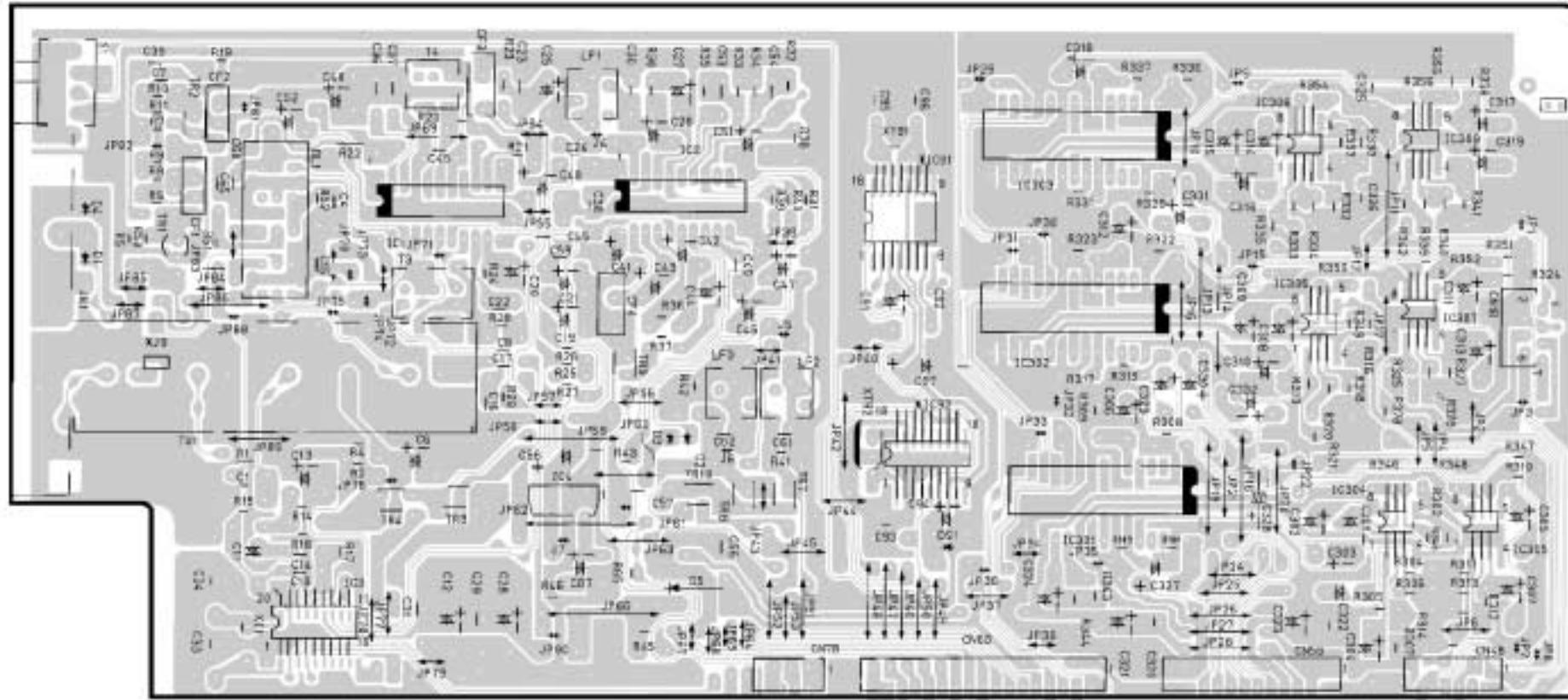
HITACHI



SM0102

MAIN PCB

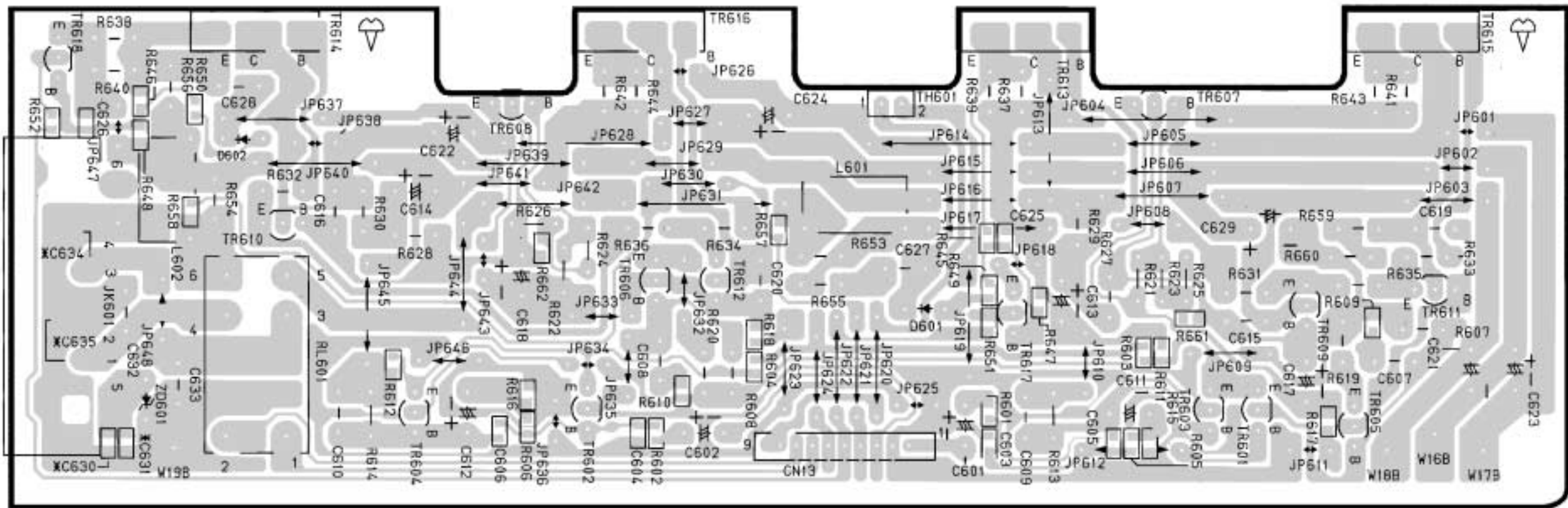
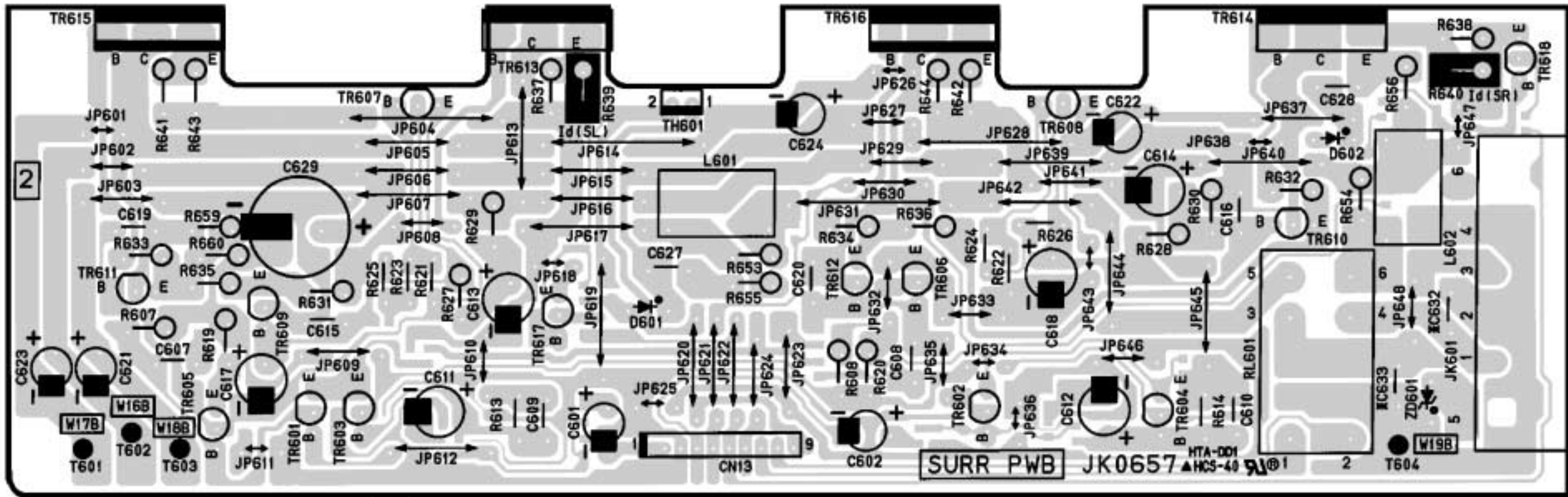
HITACHI



SM0102

TUNER PCB

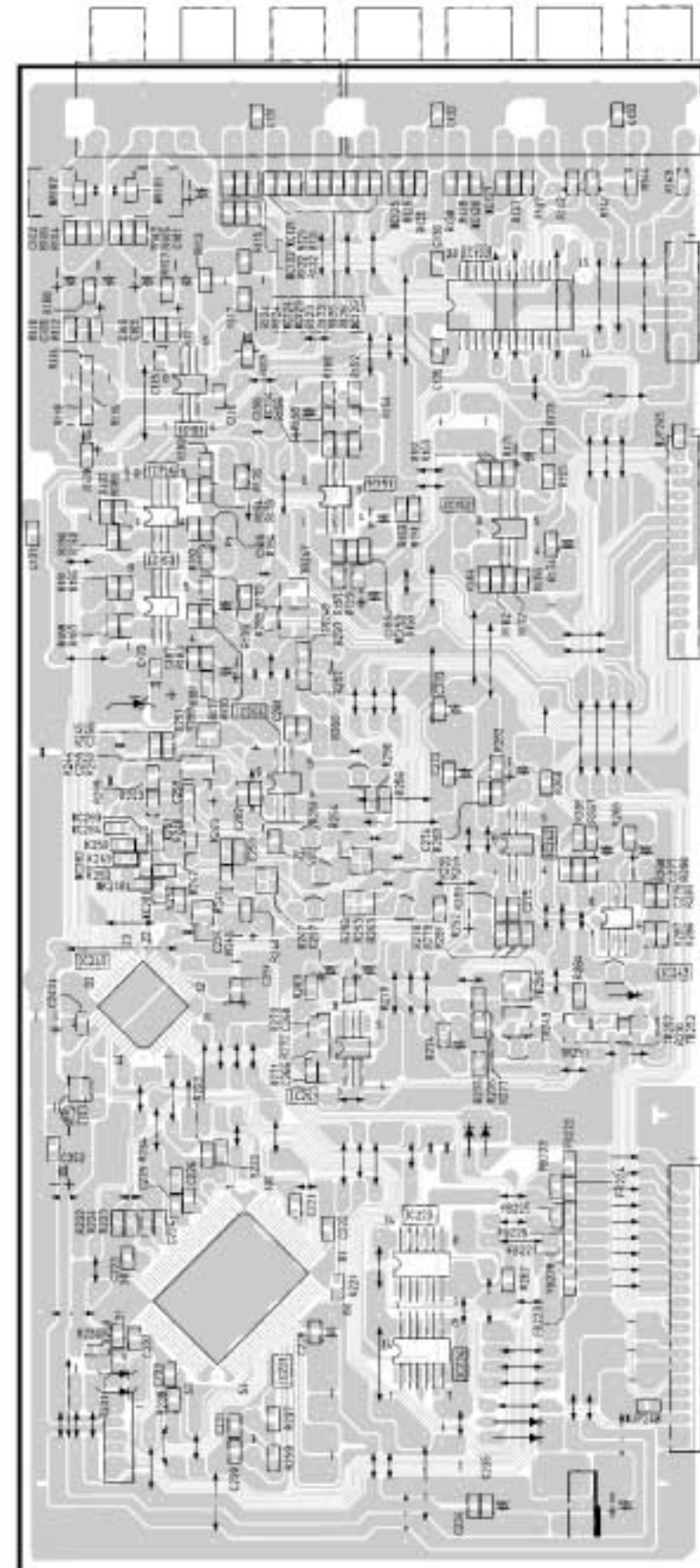
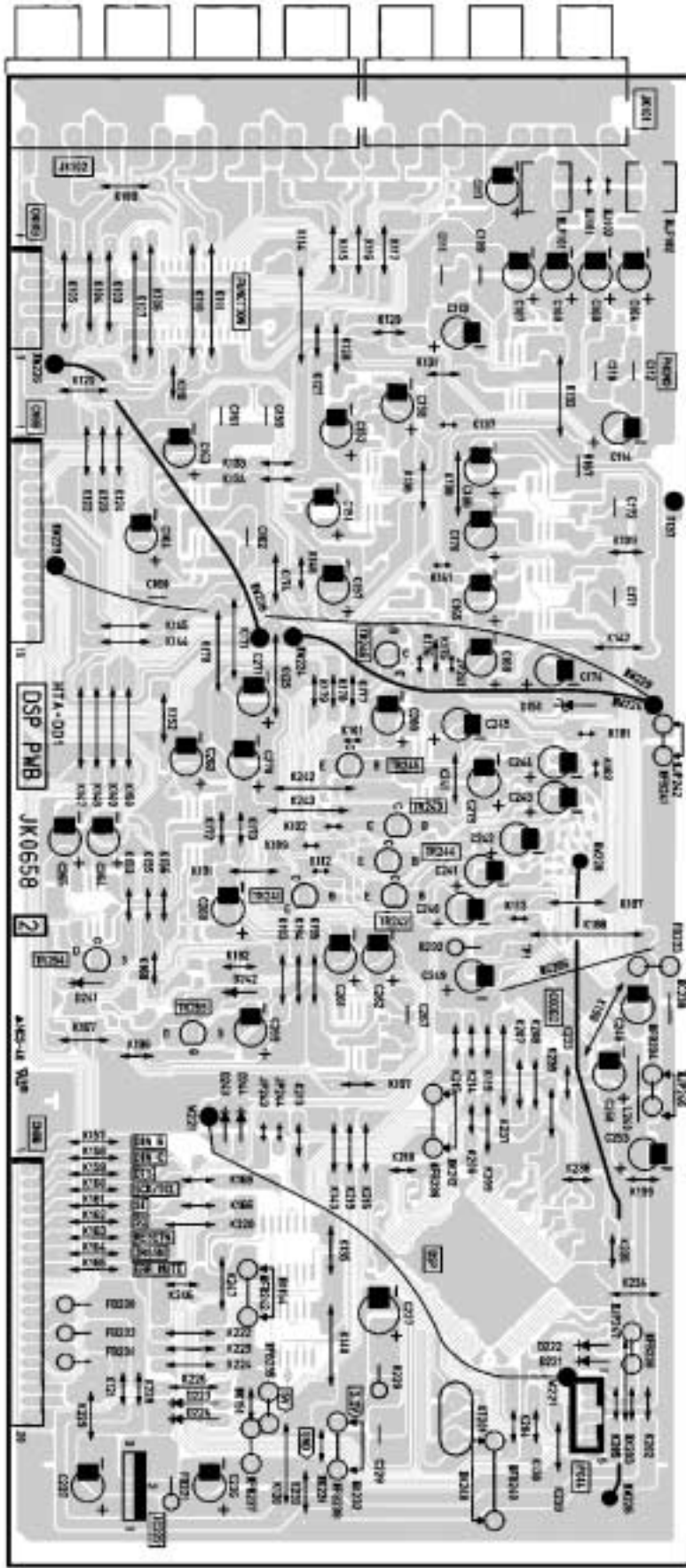
HITACHI



SM0102

SURR PCB

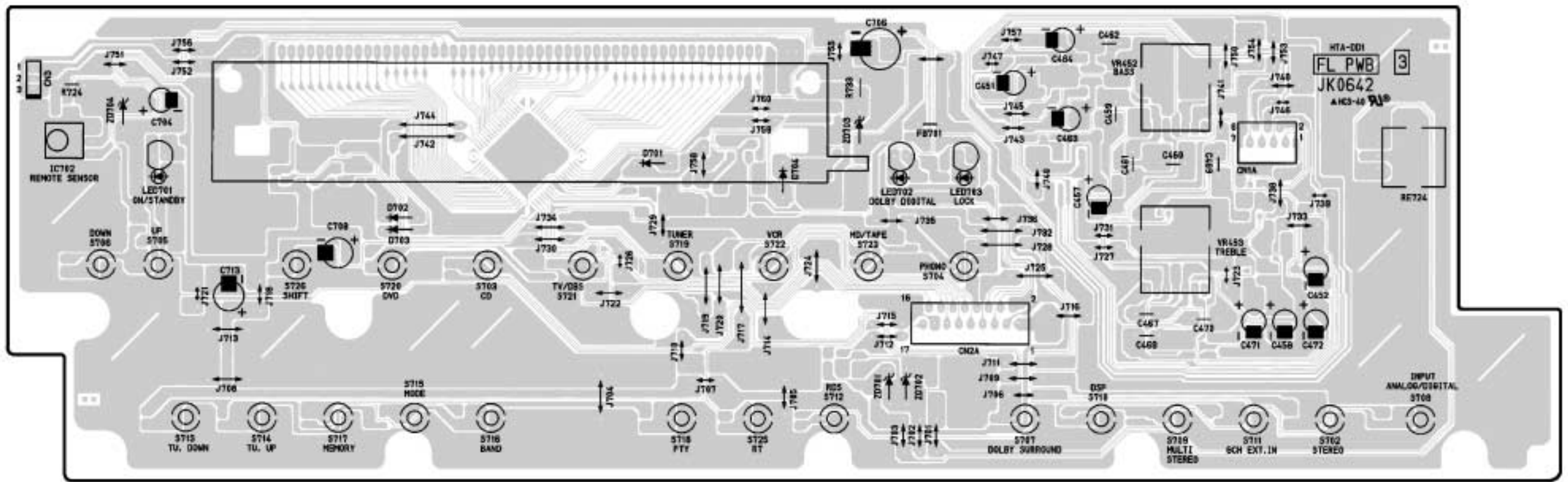
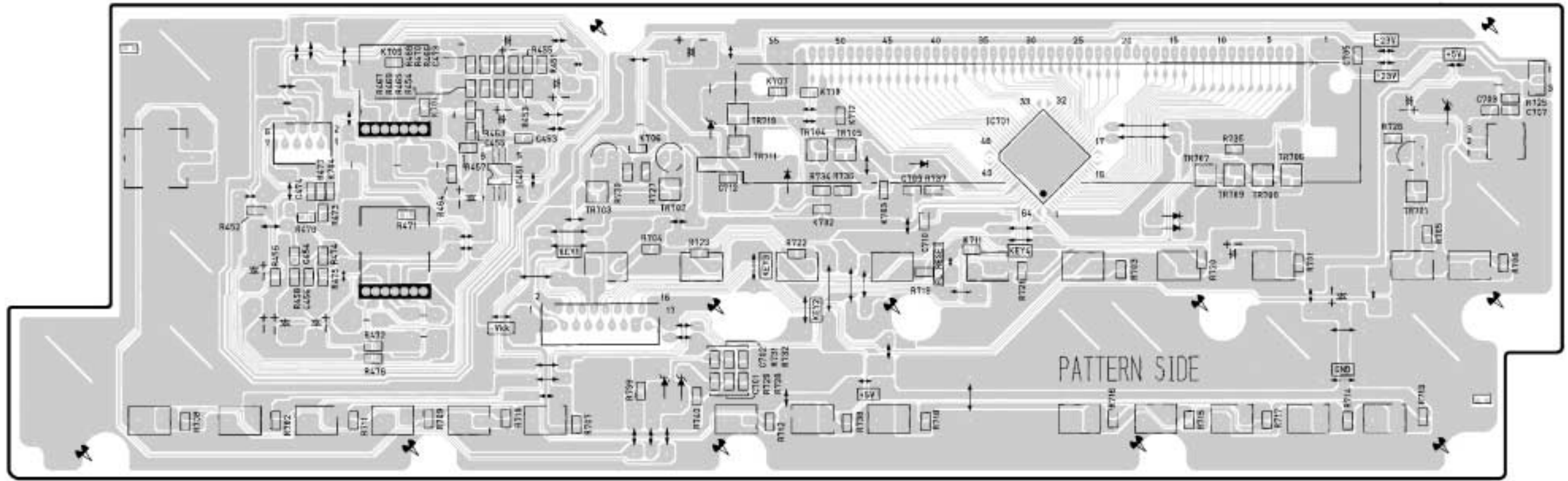
HITACHI



SM0102

DSP PCB

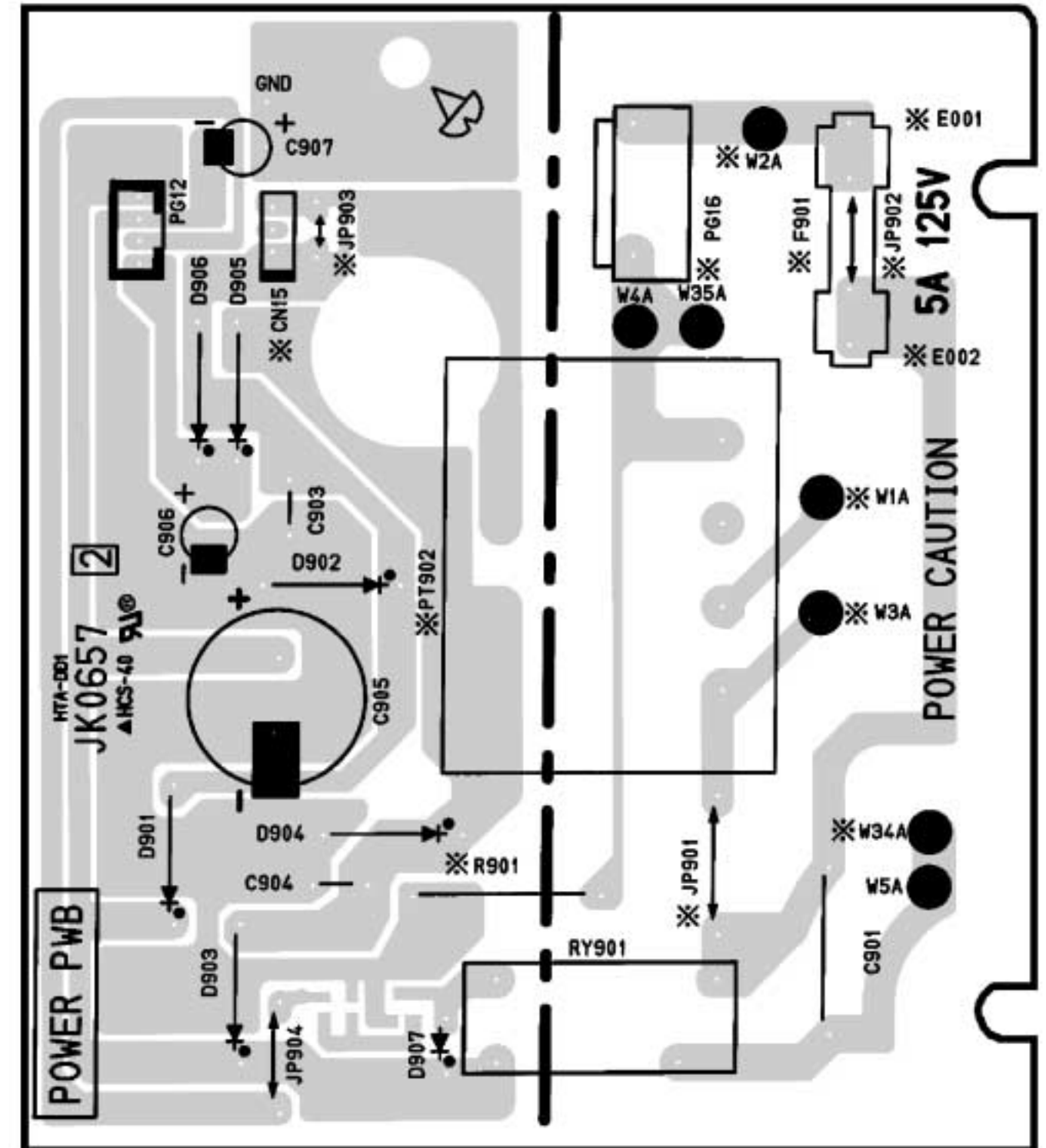
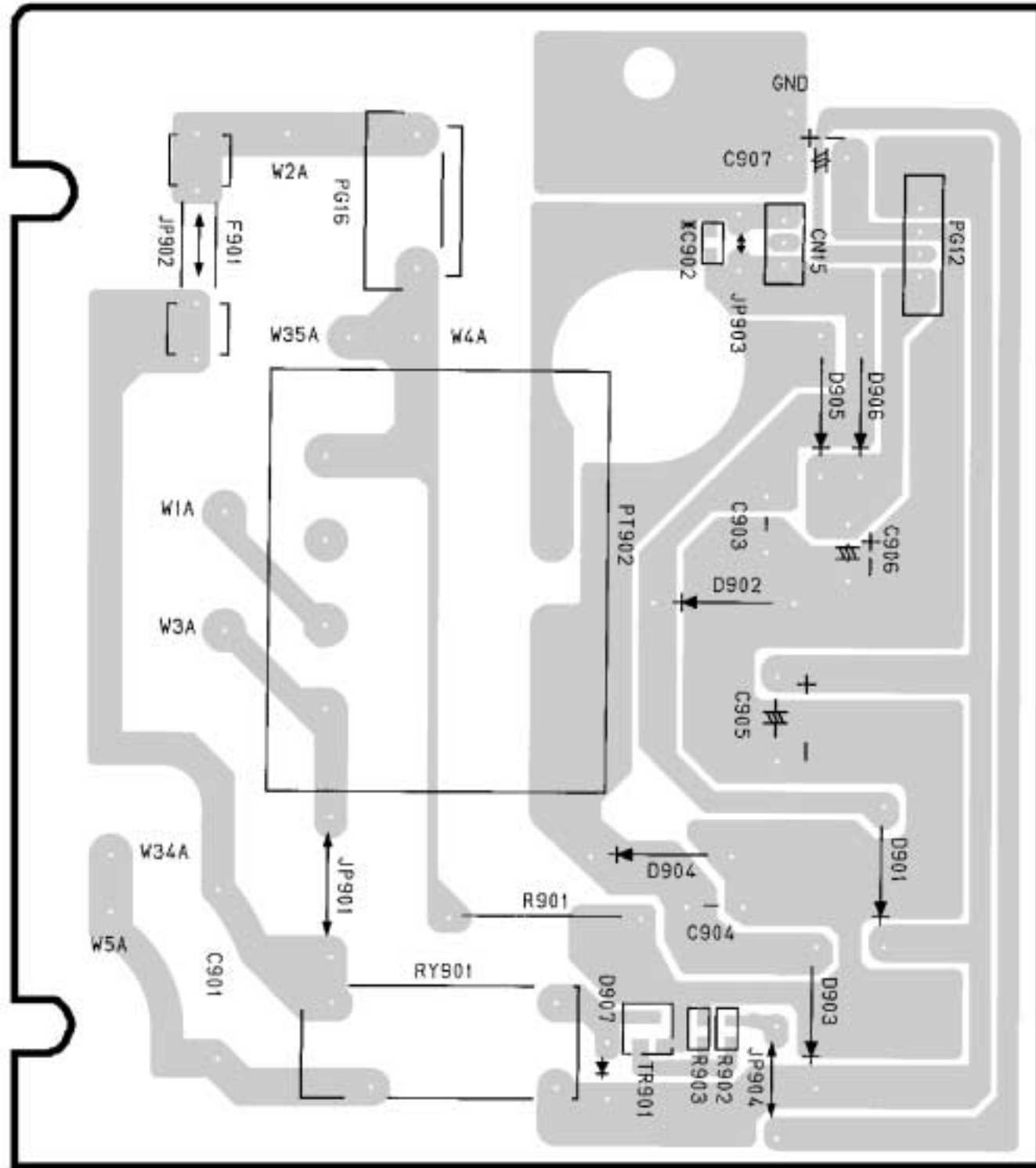
HITACHI

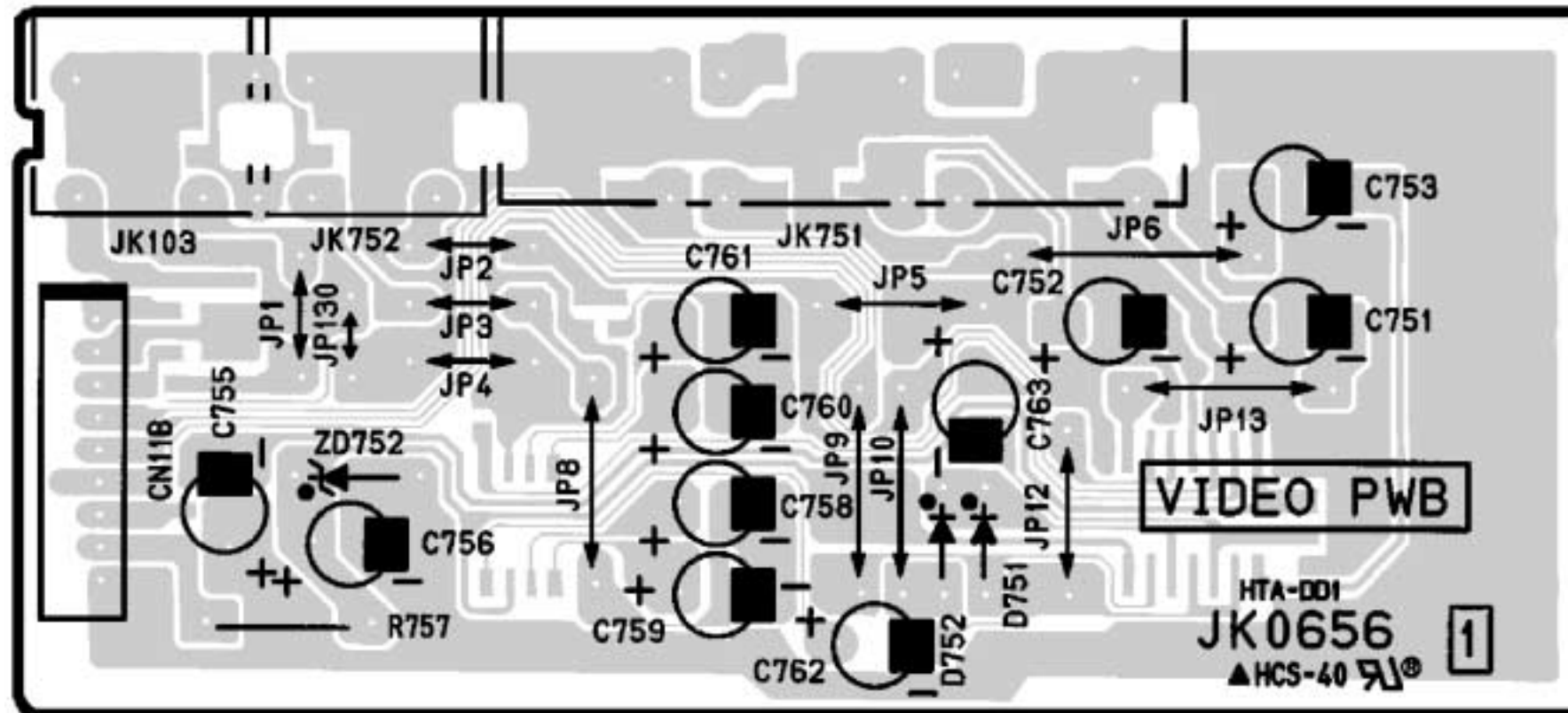
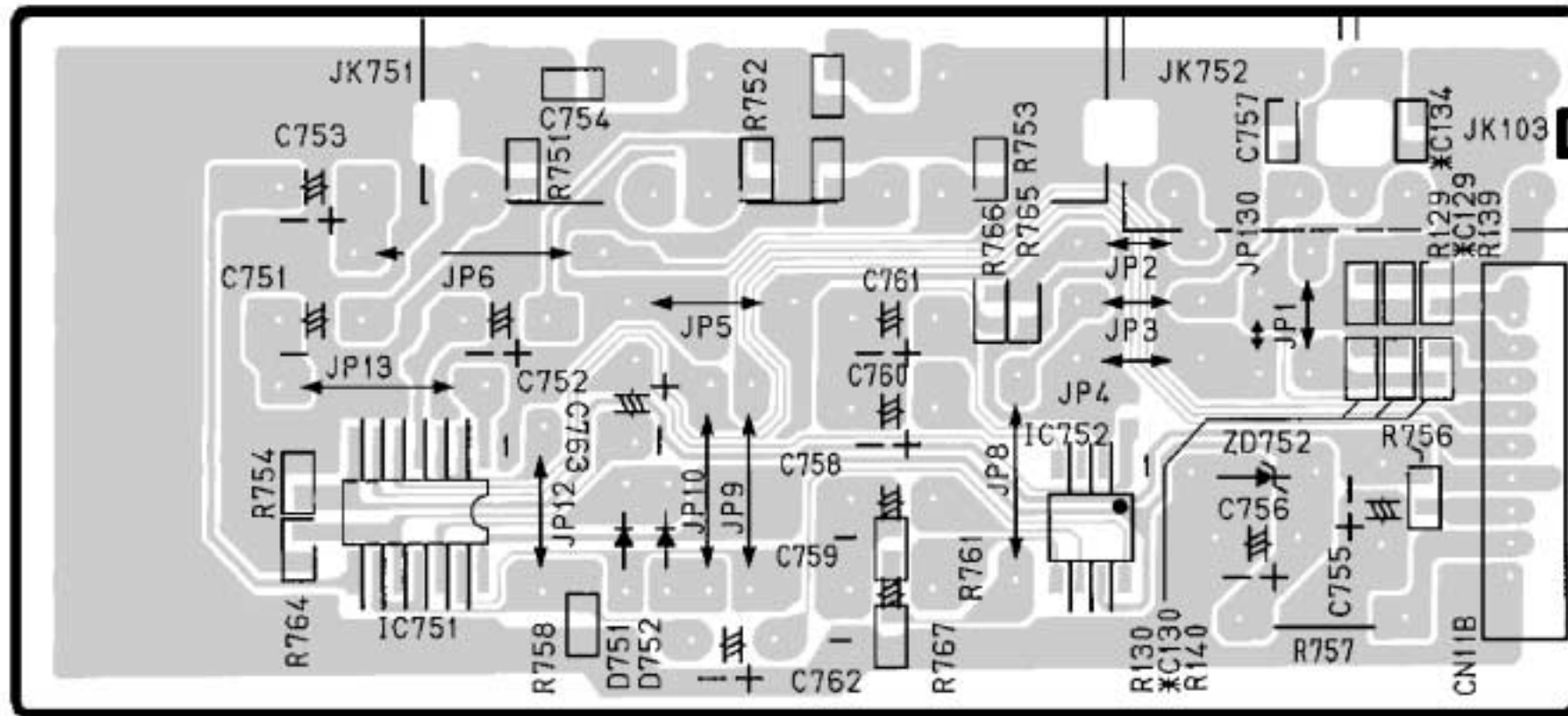


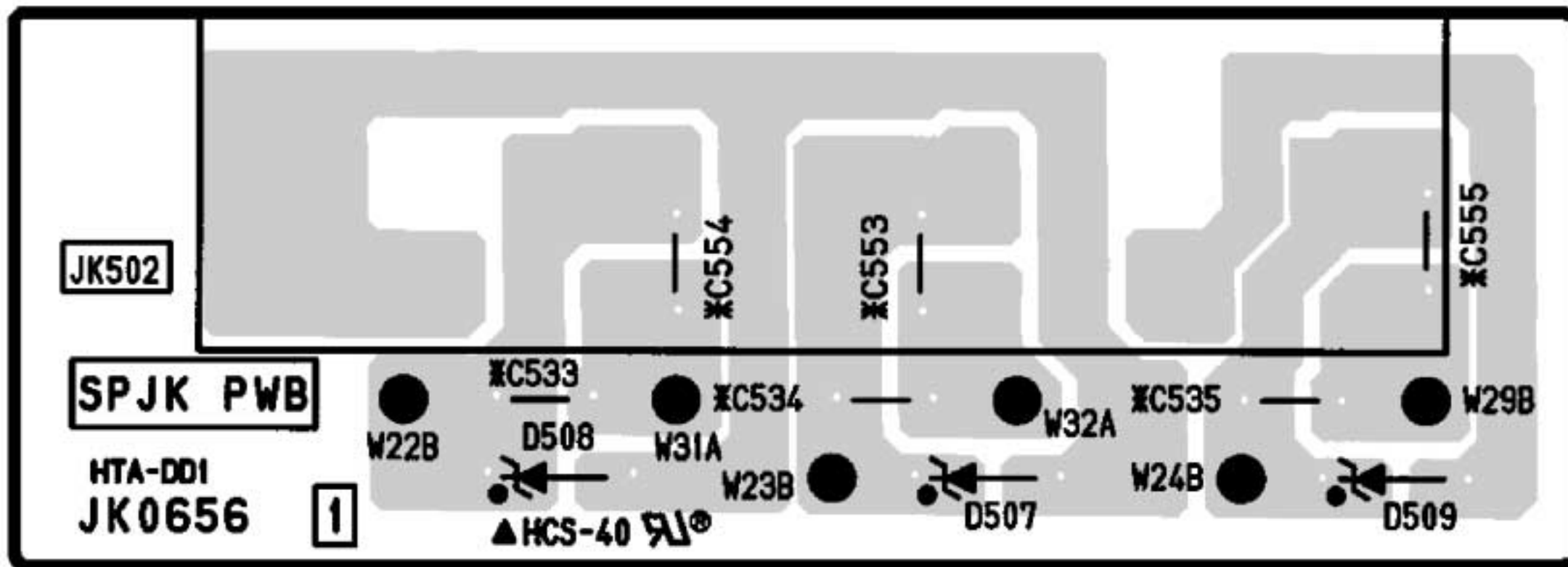
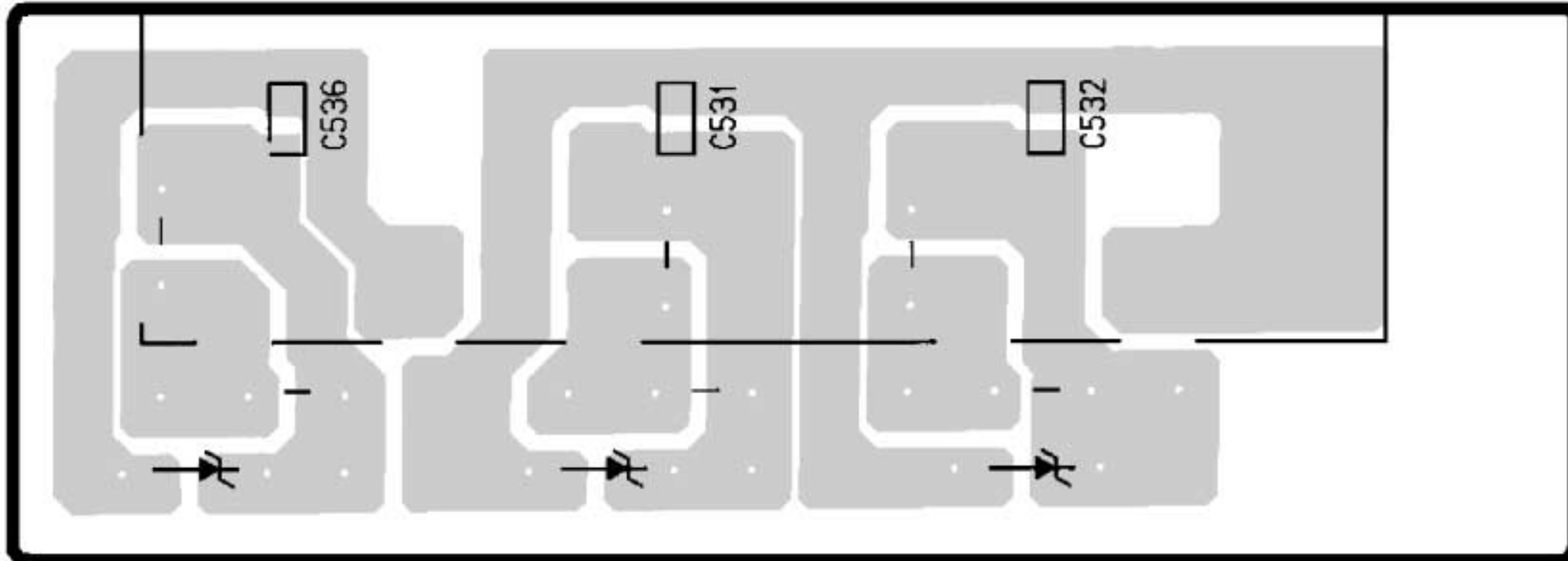
SM0102

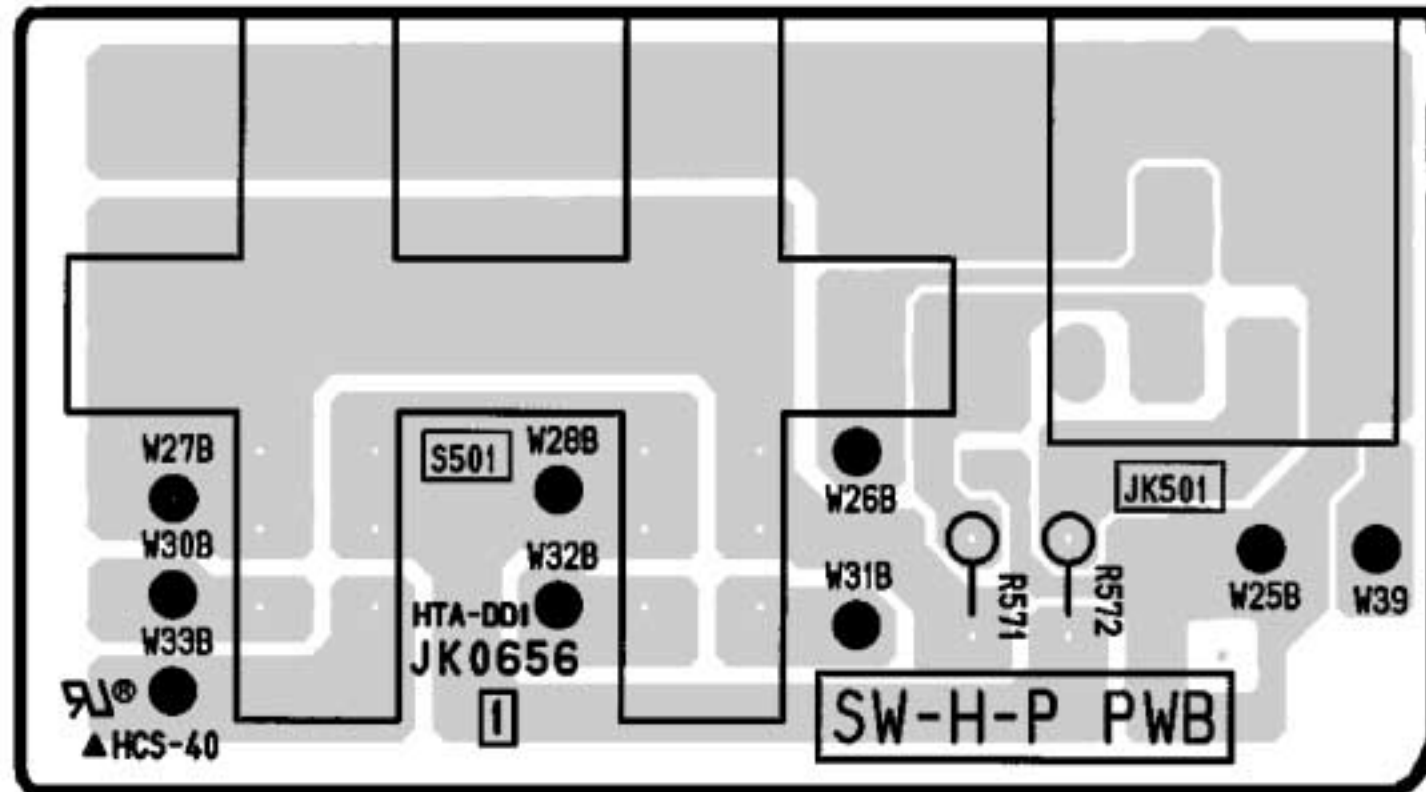
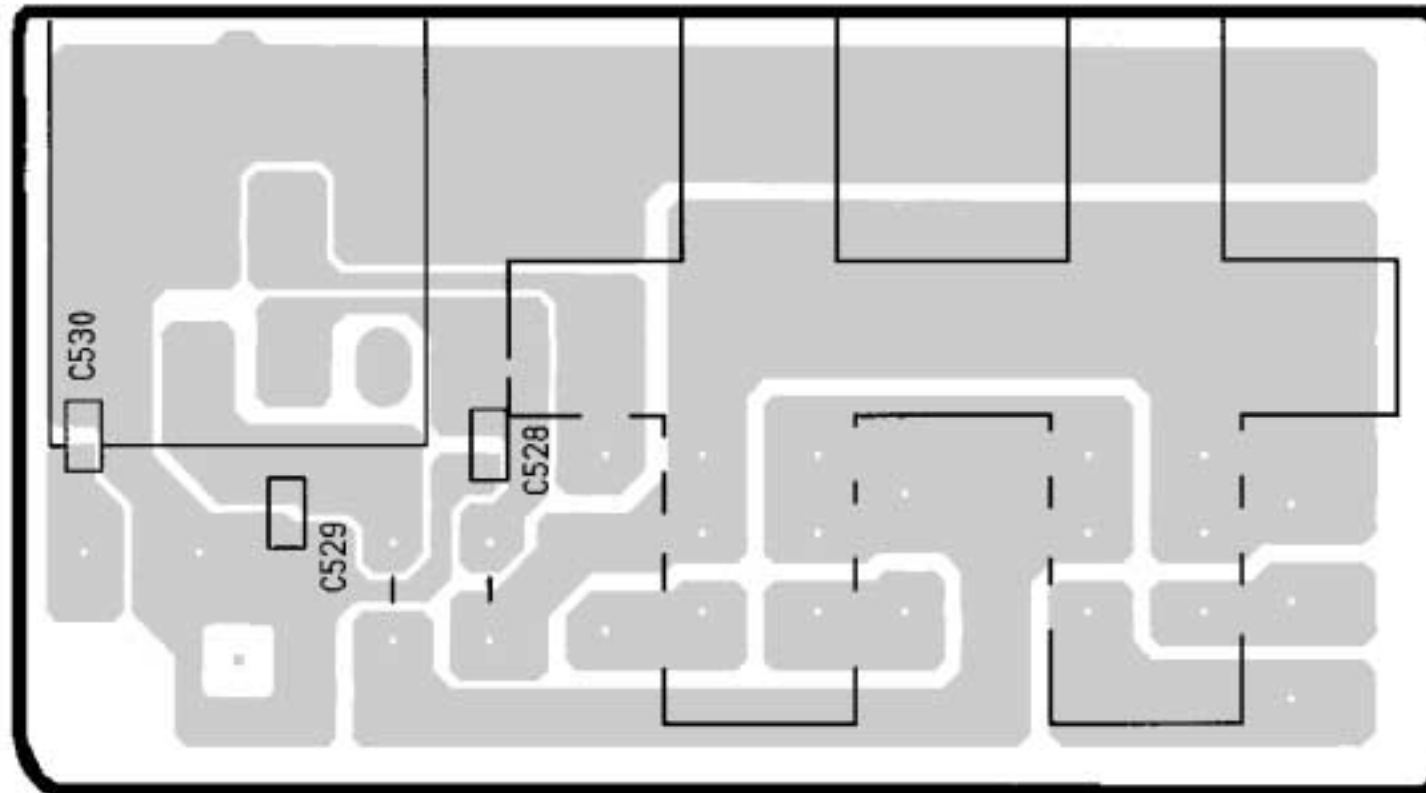
FL PCB

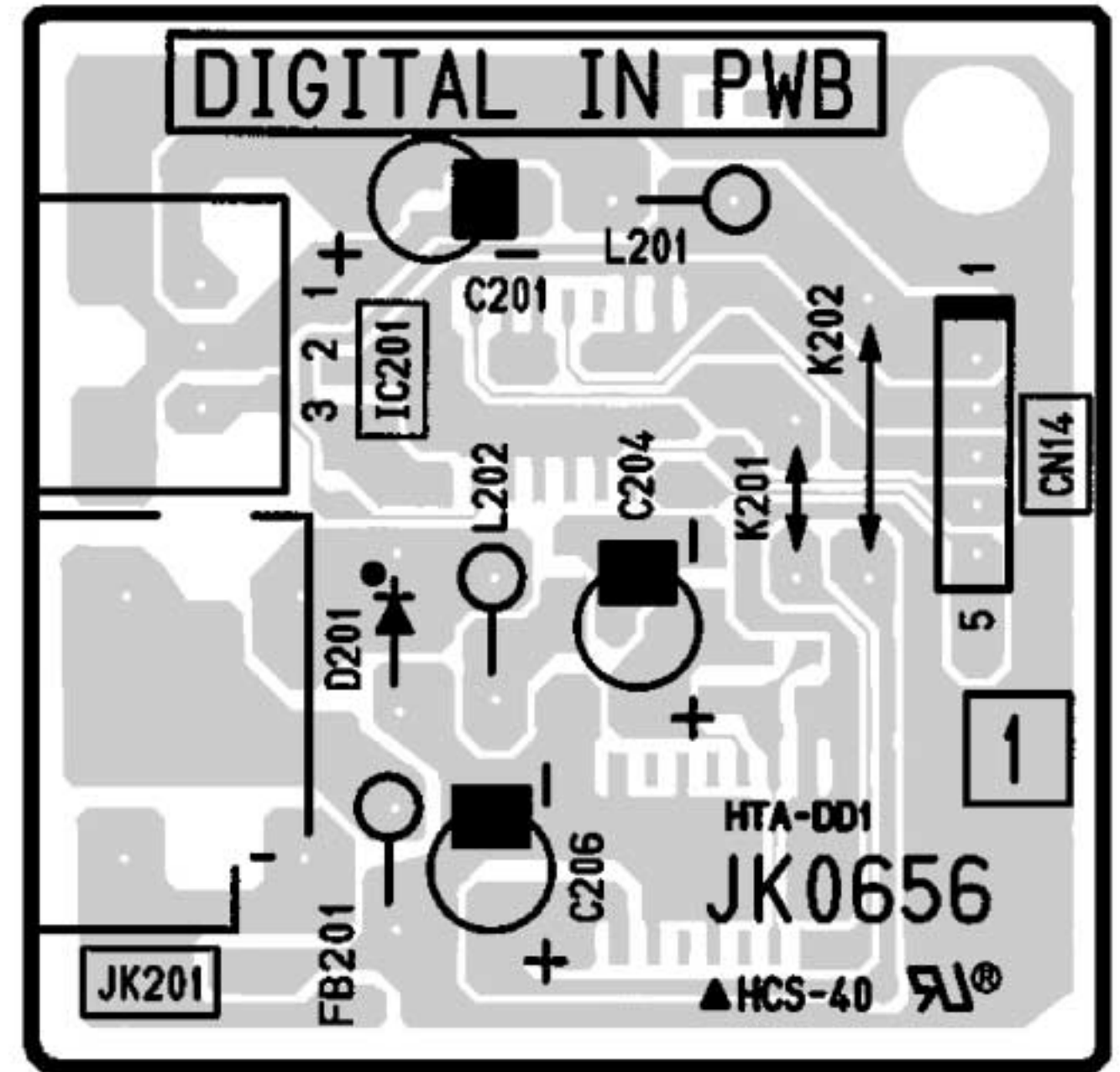
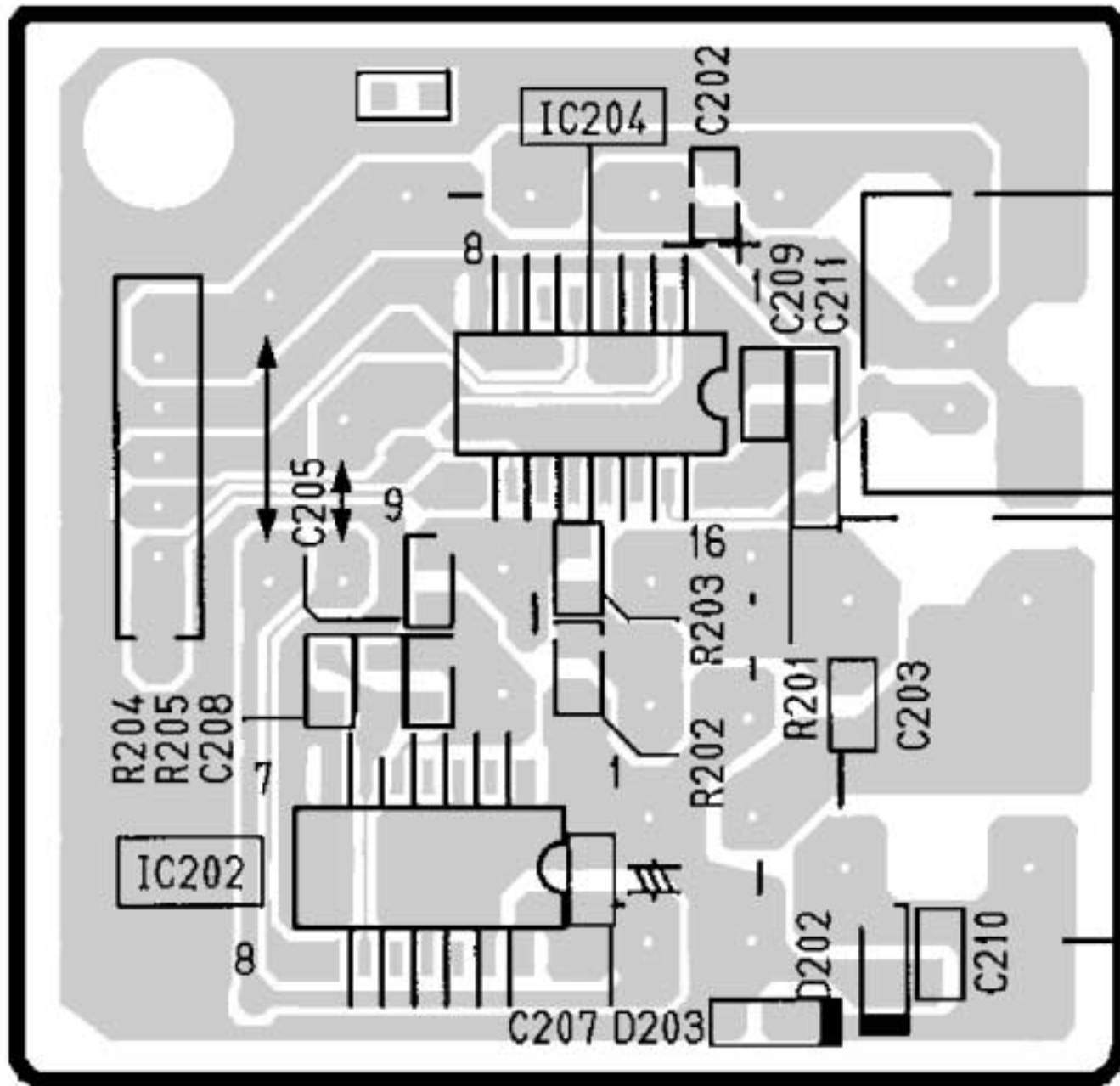
HITACHI

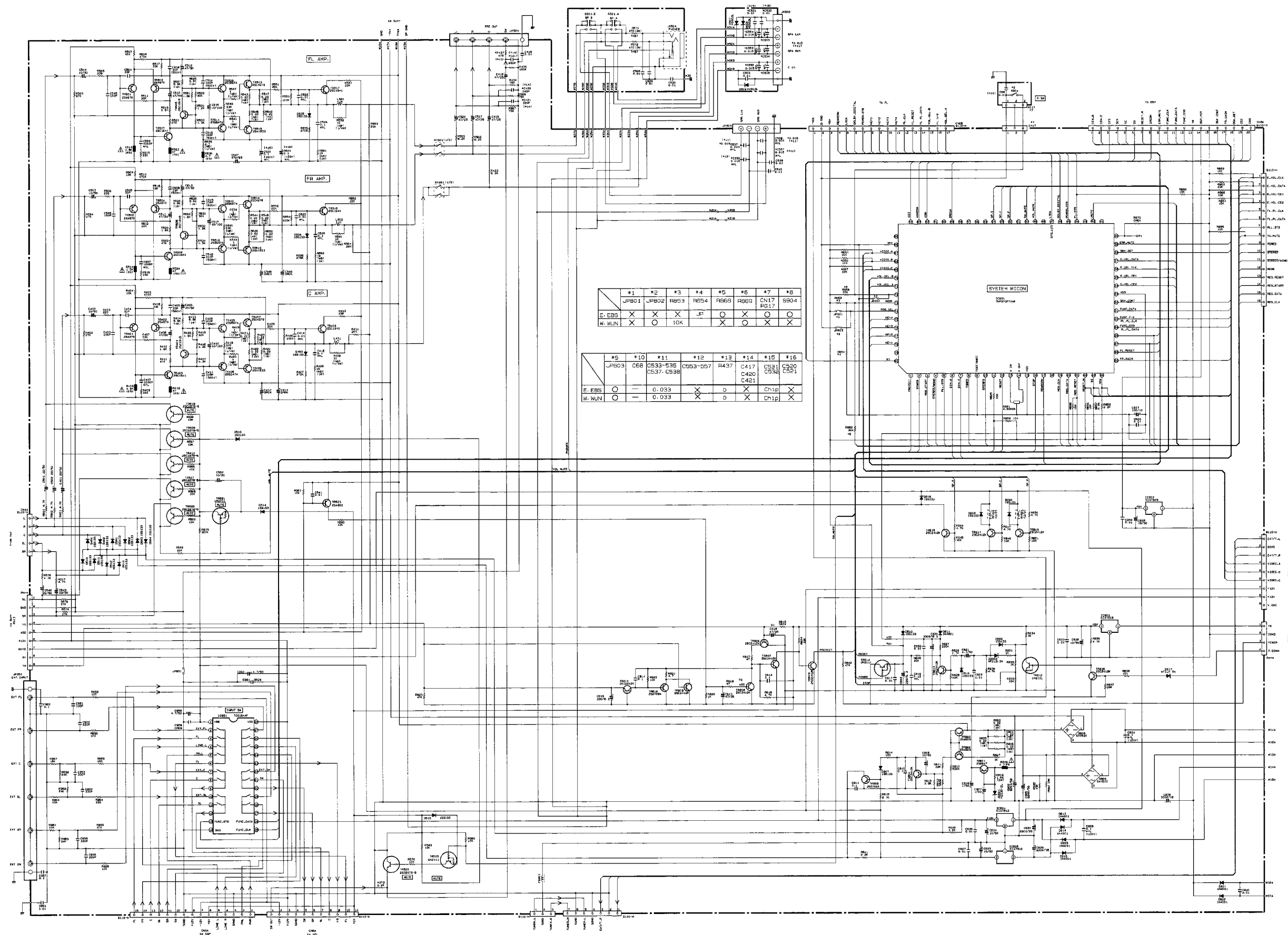












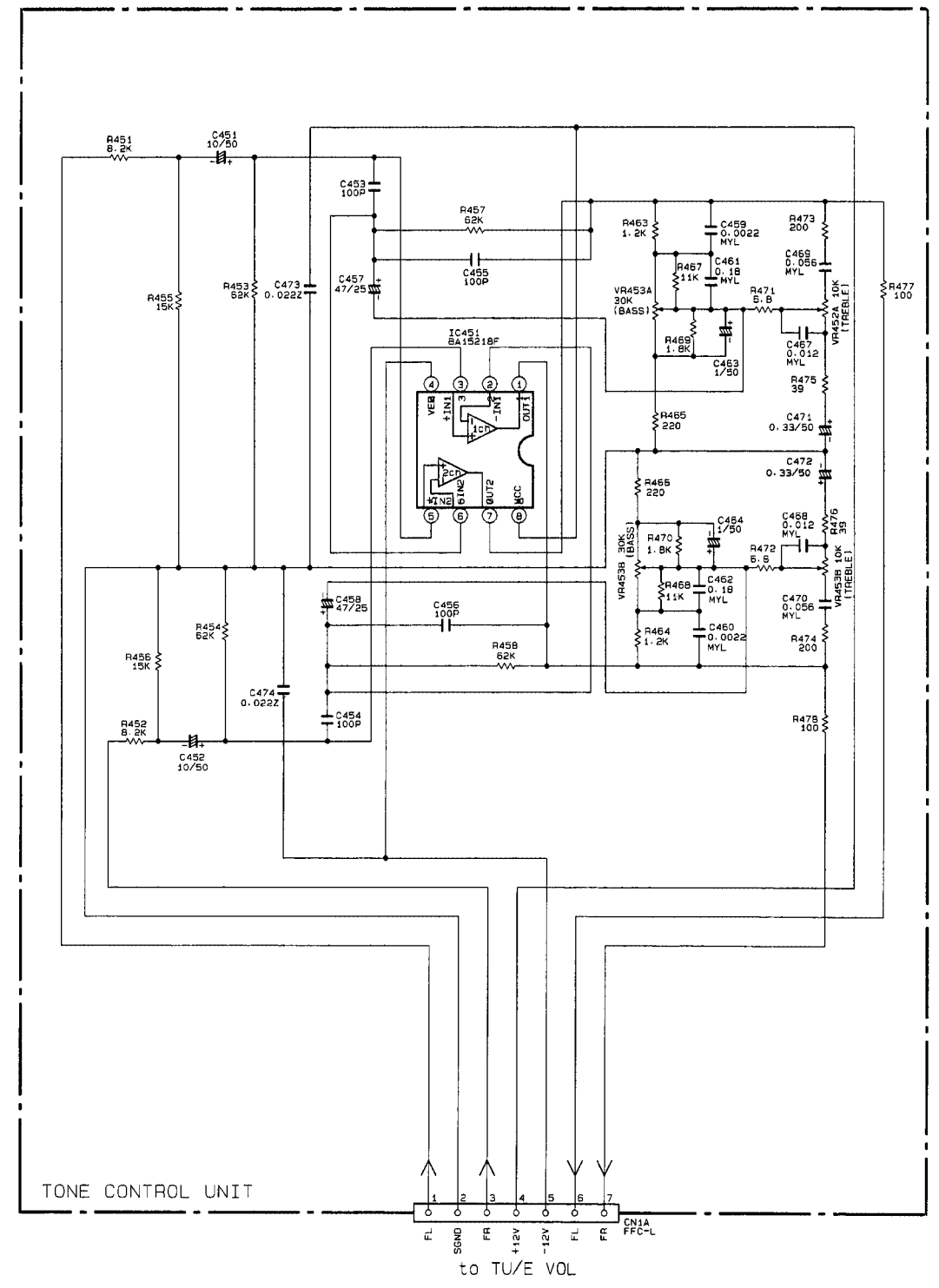
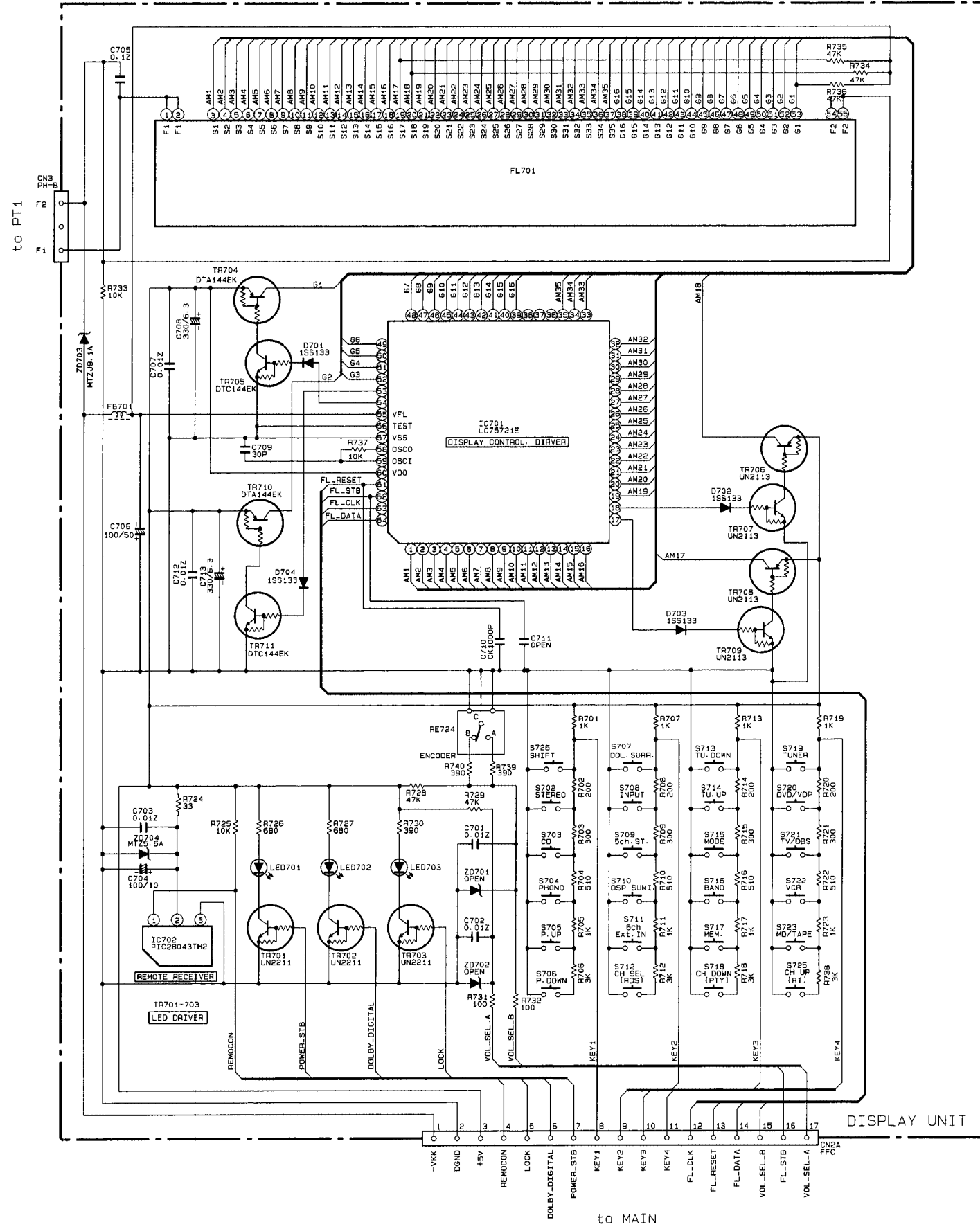
	*1	*2	*3	*4	*5	*6	*7	*8
	JPB01	JPB02	R803	R854	R865	R869	CV17 PG17	SS04
E. EBS	X	X	X	X	X	X	X	X
W. WLN	X	O	10K	O	O	O	X	X

	*9	*10	*11	*12	*13	*14	*15	*16
	JPB03	CE8	CS33-535 CS37, CS38	CS53-557	R437	C417 C420 C421	CS31 CS32	CS30 CS31
E. EBS	O	O	0.033	X	O	X	Chip	X
W. WLN	O	O	0.033	X	O	X	Chip	X

SM0102

MAIN CIRCUIT

HITACHI

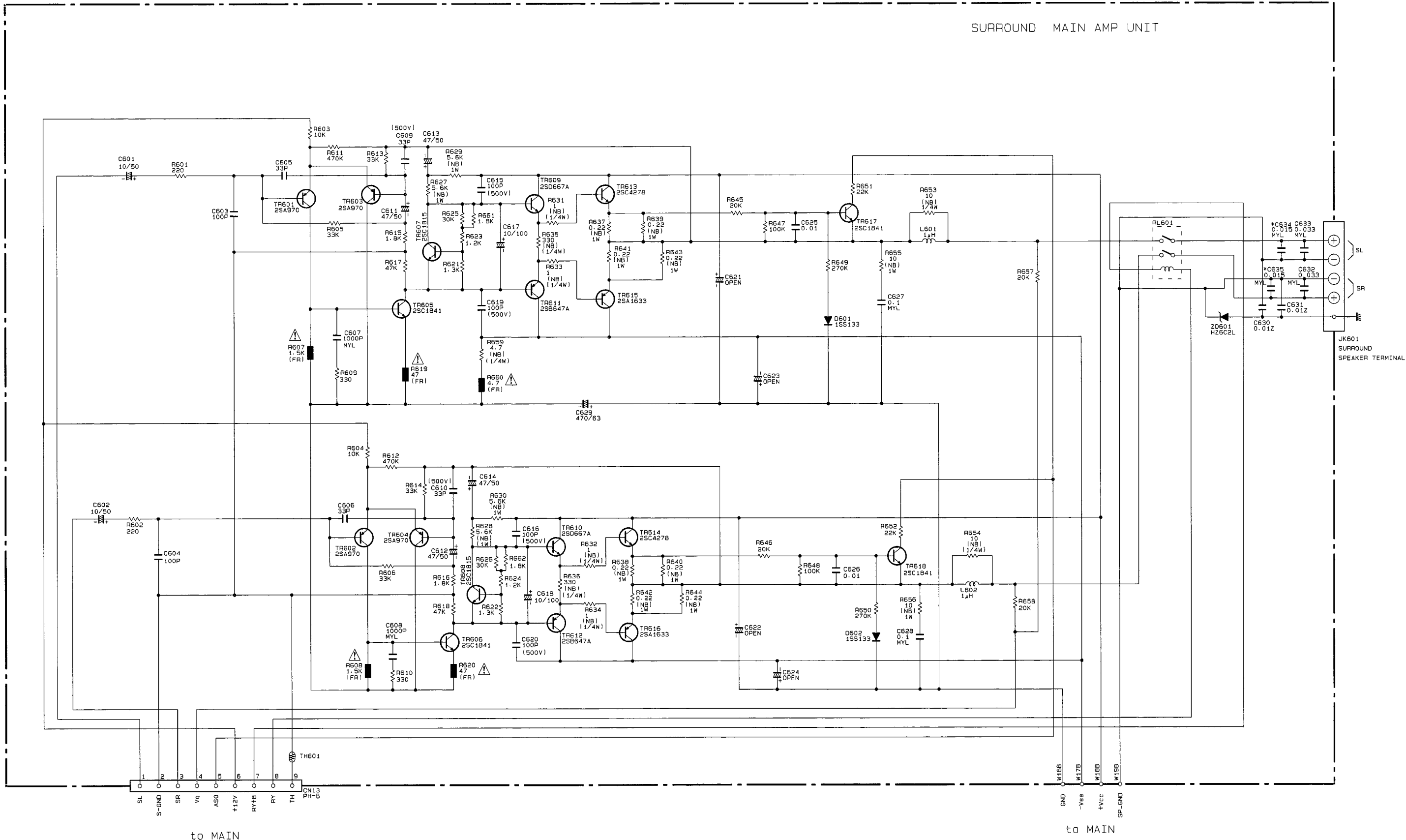


SM0102

DISP / TONE CIRCUIT

HITACHI

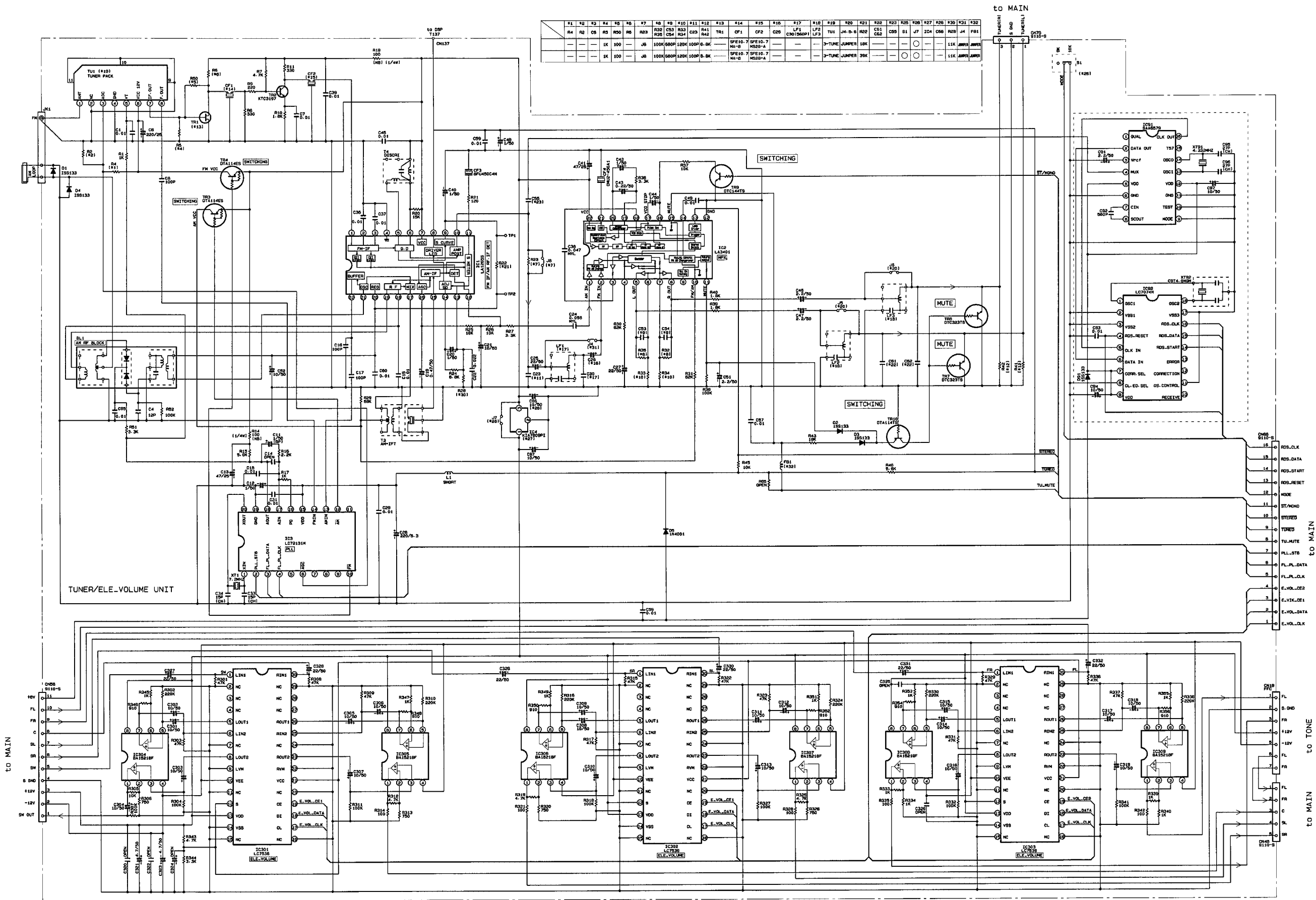
SURROUND MAIN AMP UNIT



SM0102

SURROUND MAIN AMP CIRCUIT

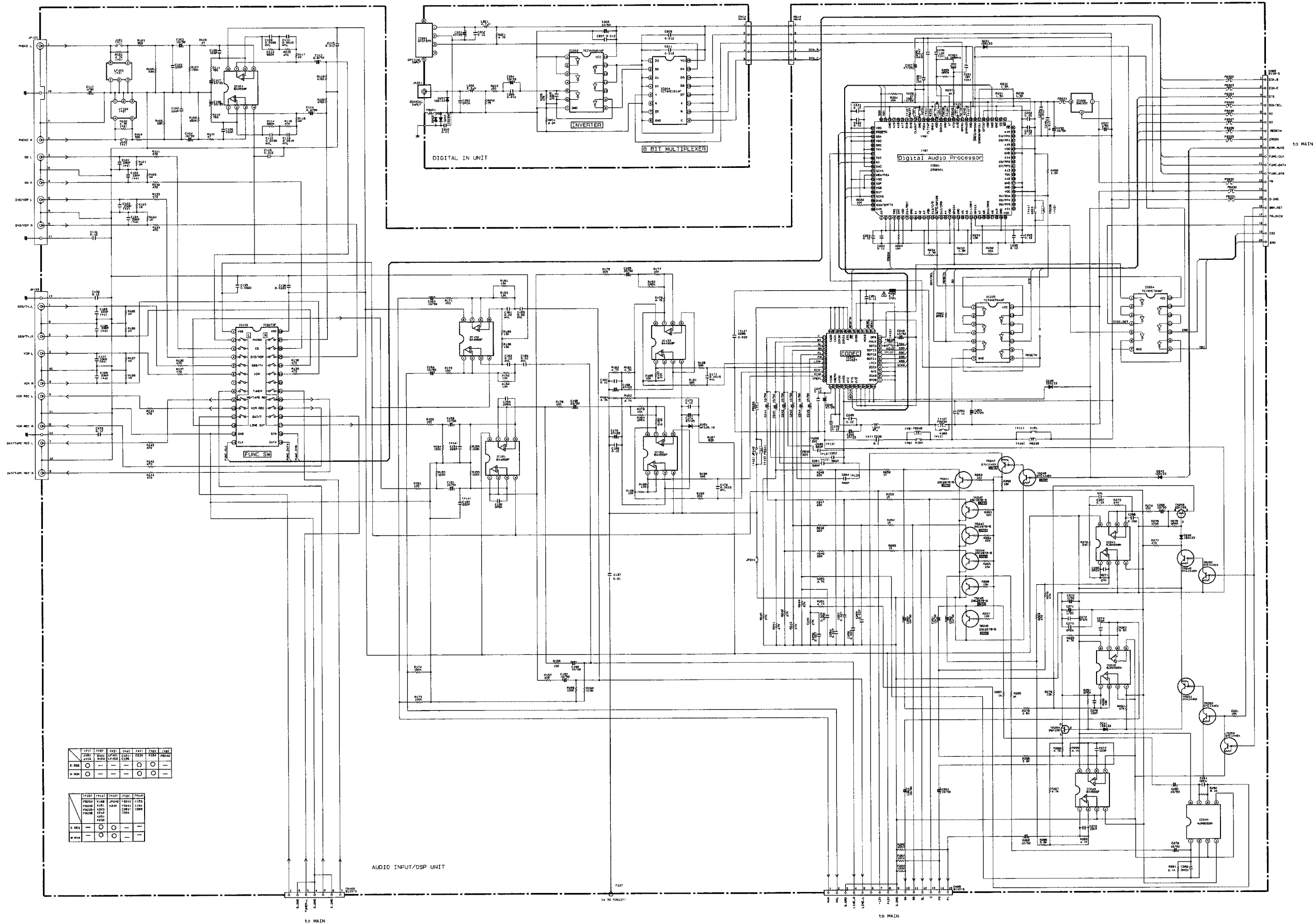
HITACHI



SM0102

TUNER / VOLUME CIRCUIT

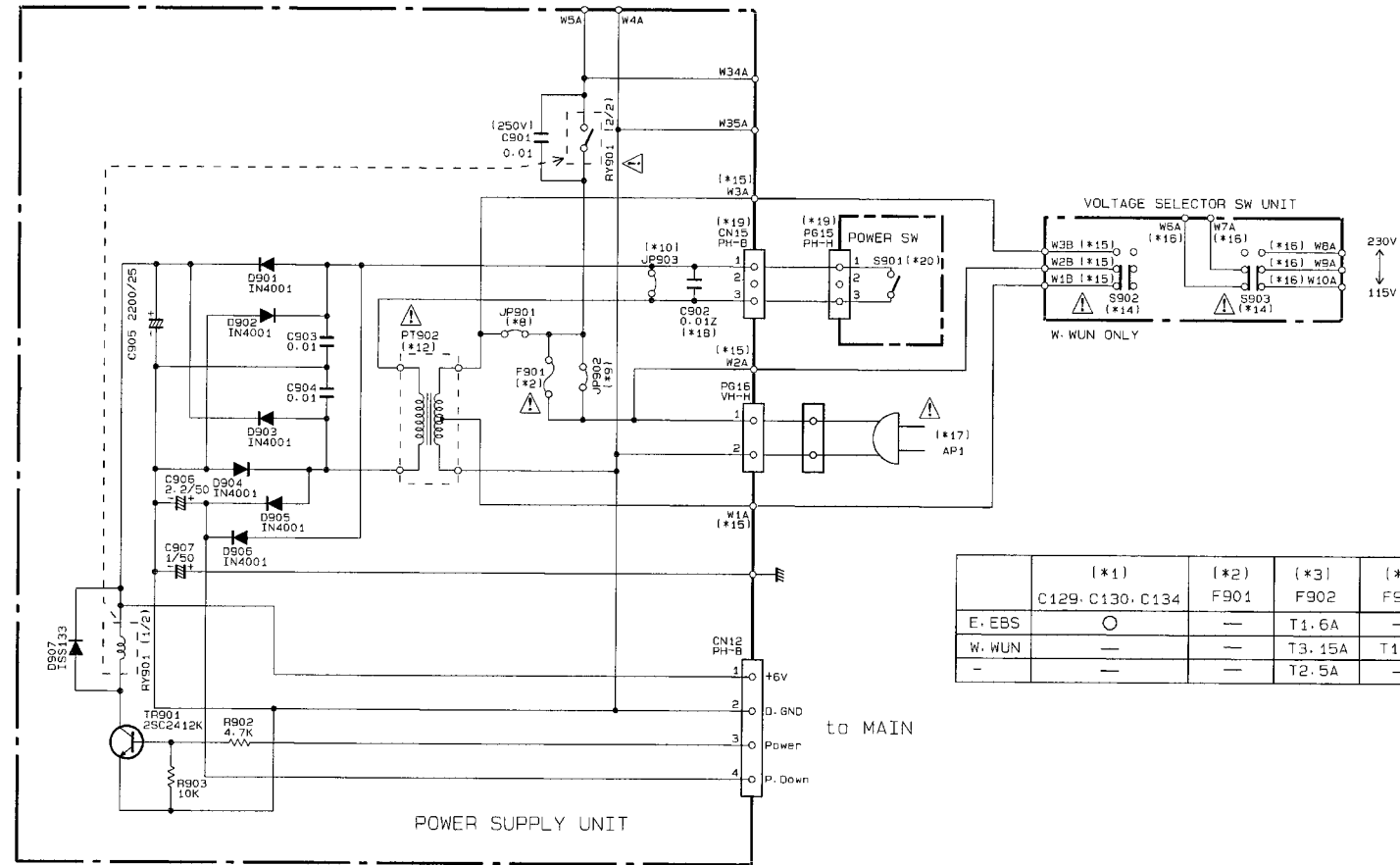




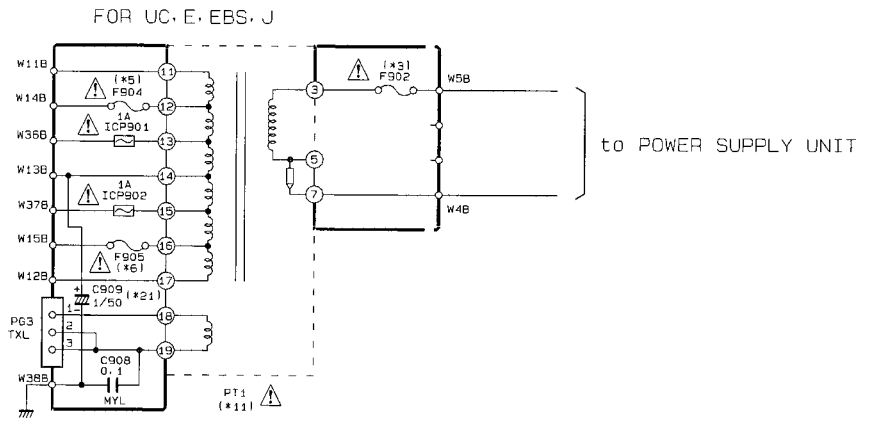
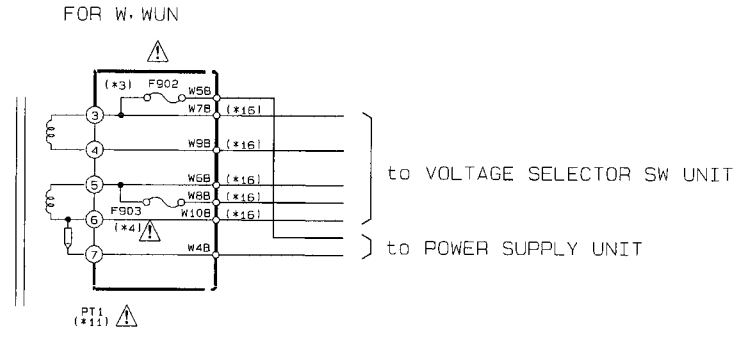
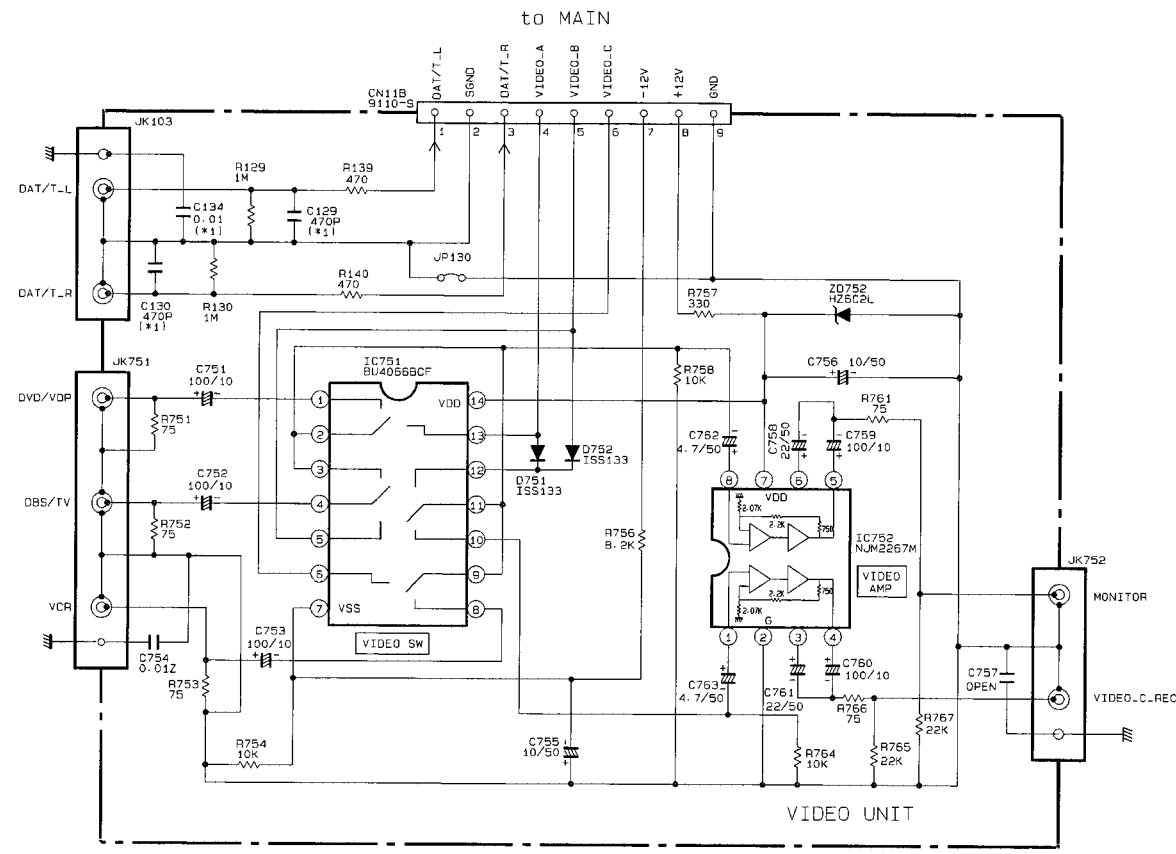
SM0102

DSP CIRCUIT

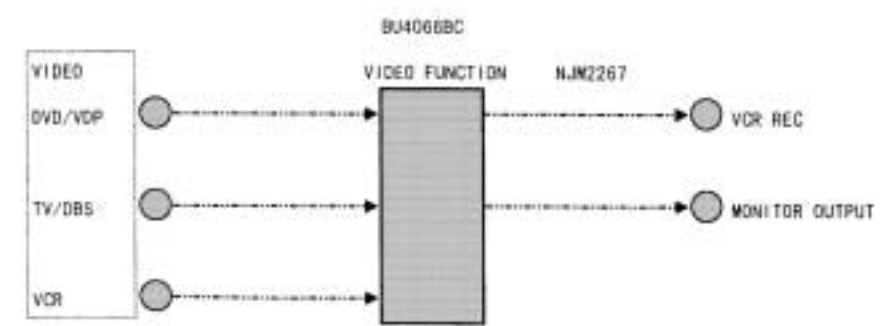
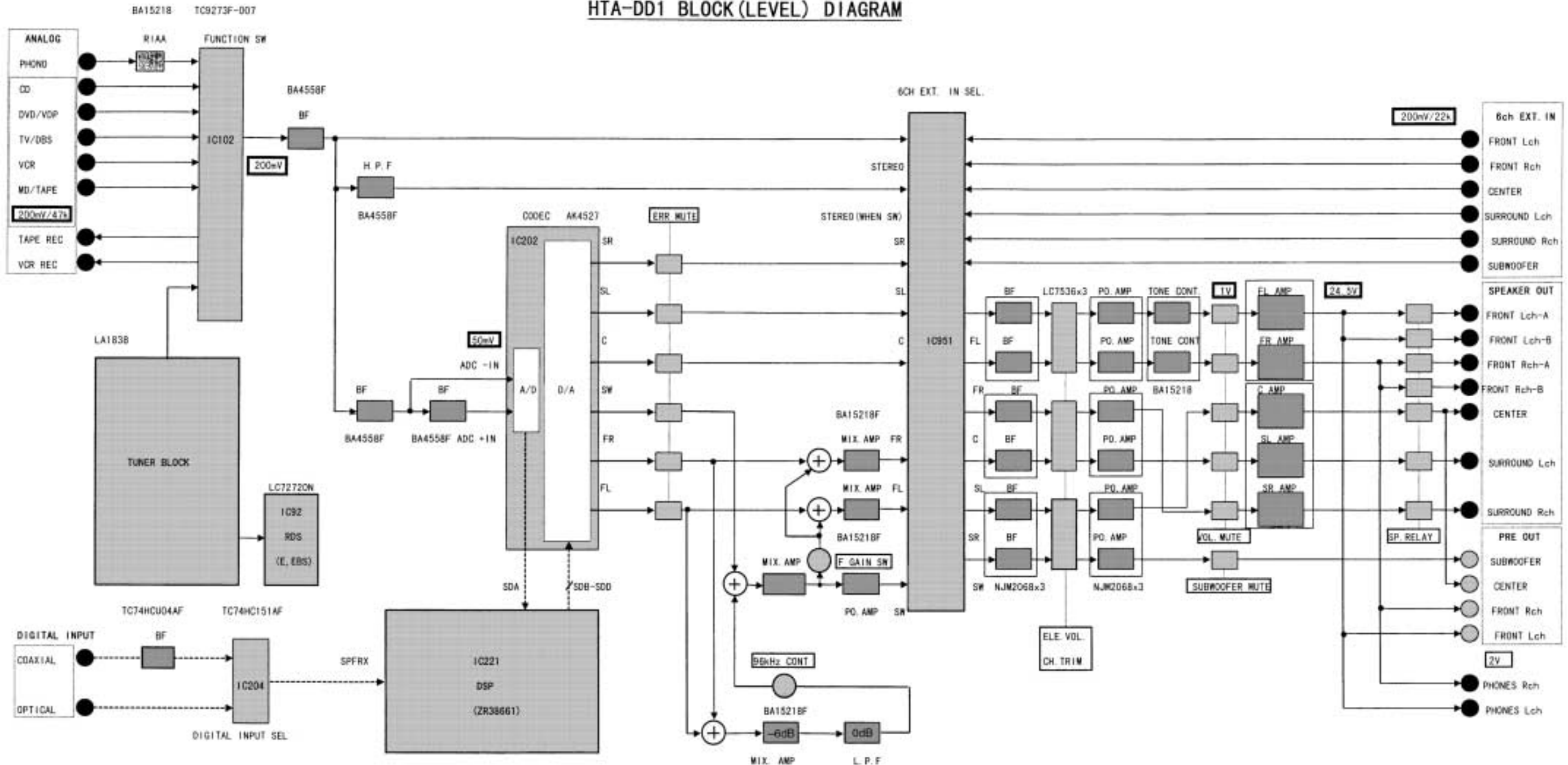
HITACHI



	(*1)	(*2)	(*3)	(*4)	(*5)	(*6)	(*7)	(*8)	(*9)	(*10)	(*11)	(*12)	(*13)	(*14)	(*15)	(*16)	(*17)	(*18)	(*19)	(*20)	(*21)
E. EBS	○	—	—	—	—	—	—	—	—	—	○	○	—	—	—	—	—	—	○	○	○
W. WUN	—	—	○	○	○	○	—	—	—	—	—	—	—	○	○	○	○	○	○	○	○
—	—	—	○	○	○	○	—	—	—	—	—	—	—	—	—	—	—	—	○	○	○

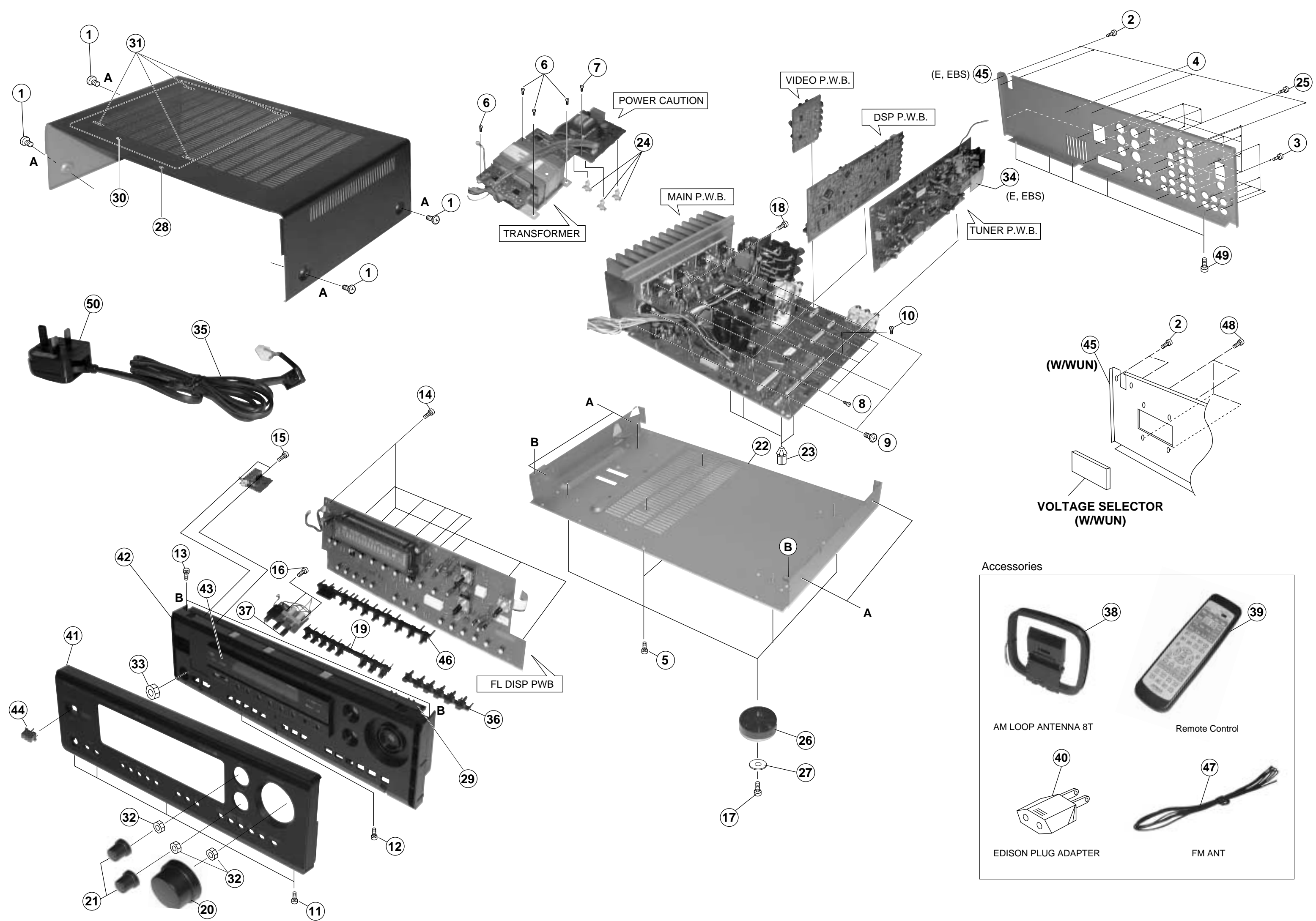


HTA-DD1 BLOCK (LEVEL) DIAGRAM



REMARKS

1. THIS DRAWING IS THE HTA-DD1 CIRCUIT BLOCK (LEVEL) DIAGRAM.
2. ———> ANALOG SIGNAL, - - - - -> DIGITAL SIGNAL, - - - - -> VIDEO SIGNAL
3. □ ———> I²C-DM CONTROL SIGNAL



Accessories




REPLACEMENT PARTS LIST


PRODUCT SAFETY NOTE: Components marked with a Δ have special characteristics important to safety. Before replacing any of these components, please read carefully the Service Manual.

ABBREVIATIONS	Capacitors	CK45: Disk capacitor, CK73: Chip capacitor (E-12 series), CK14: Axial capacitor, CQ: Polyester film capacitor, CE: Electrolytic, CC73: Chip capacitor (E-24 series)
	Resistors	RD: Axial resistor, RN: Non-burn resistor, RMC73: Chip resistor, RE: Standing resistor, FR: Fuse Resister
	Semiconductor	TR: Transistor, DI: Diode, ZD: Zener diode, VA: Varistor, TH: Thermistor, IC: IC


SYMBOL NO.	PART NO.	DESCRIPTION	SYMBOL NO.	PART NO.	DESCRIPTION
CAPACITORS:			C54	0890085R	CER CAP B 680PF 50V K [W, WUN]
C1	0890101R	CER CAP B 10000PF 16V K	C55	0890075R	CER CAP SL 120PF 50V J [E, EBS]
C4	0890062R	CER CAP SL 12PF 50V J	C56	0890101R	CER CAP B 10000PF 16V K
C6	0800059Y	ELECT CAP SSL 220 μ F 25V	C57	0890101R	CER CAP B 10000PF 16V K
C7	0890101R	CER CAP B 10000PF 16V K	C59	0890101R	CER CAP B 10000PF 16V K
C8	0890074R	CER CAP SL 100PF 50V J	C60	0890101R	CER CAP B 10000PF 16V K
C11	0284623R	ELECT CAP SME (BP) 1 μ F 50V	C61	0890096R	CER CAP B 4700PF 25V K [E, EBS]
C12	0800003Y	ELECT CAP SSL 1 μ F 50V	C62	0890096R	CER CAP B 4700PF 25V K [E, EBS]
C13	0900042Y	ELECT CAP SSL 47 μ F 25V	C65	0890101R	CER CAP 10000PF 16V K
C15	0890101R	CER CAP B 10000PF 16V K	C87	0800018Y	ELECT CAP SSL 10 μ F 50V
C16	0890074R	CER CAP SL 100PF 50V J	C91	0800005Y	ELECT CAP SSL 2.2 μ F 50V [E, EBS]
C17	0890074R	CER CAP SL 100PF 50V J	C92	0890084R	CER CAP B 560PF 50V K [E, EBS]
C18	0890101R	CER CAP B 10000PF 16V K	C93	0890101R	CER CAP B 10000PF 16V K [E, EBS]
C19	0800001Y	ELECT CAP SSL 0.47 μ F 50V	C94	0800018Y	ELECT CAP SSL 10 μ F 50V [E, EBS]
C20	0800003Y	ELECT CAP SSL 1 μ F 50V	C95	0890119R	CER CAP CH 27PF 50V J [E, EBS]
C21	0800018Y	ELECT CAP SSL 10 μ F 50V	C96	0890119R	CER CAP CH 27PF 50V J [E, EBS]
C22	0890102R	CER CAP F 22000PF 50V Z	C97	0800018Y	ELECT CAP SSL 10 μ F 50V [E, EBS]
C23	0890074R	CER CAP SL 100PF 50V J [W, WUN]	C101	0893132R	CHIP CAP 39CH 220PF J 50V
C24	0880054R	CAP POLY FILM 0.056 μ F K 50V	C102	0893132R	CHIP CAP 39CH 220PF J 50V
C25	0800026Y	ELECT CAP SSL 22 μ F 50V	C103	0800018Y	ELECT CAP SSL 10 μ F 50V
C26	0800026Y	ELECT CAP SSL 22 μ F 50V [E, EBS]	C104	0800018Y	ELECT CAP SSL 10 μ F 50V
C27	0800026Y	ELECT CAP SSL 22 μ F 50V	C105	0893126R	CHIP CAP 39CH 100PF K 50V
C28	0800056R	ELECT CAP SME 220 μ F 6.3V	C106	0893126R	CHIP CAP 39CH 100PF K 50V
C29	0890101R	CER CAP B 10000PF 16V K	C107	0800034Y	ELECT CAP SSL 33 μ F 35V
C30	0890084R	CER CAP B 560PF 50V K [E, EBS]	C108	0800034Y	ELECT CAP SSL 33 μ F 35V
C31	0890101R	CER CAP B 10000PF 16V K	C109	0880041R	MYLAR CAP 0.0056 μ F K 50V
C33	0890116R	CER CAP CH 15PF 50V J	C110	0880041R	MYLAR CAP 0.0056 μ F K 50V
C34	0890116R	CER CAP CH 15PF 50V J	C111	0880004R	MYLAR CAP 0.0015 μ F K 50V AMZ T
C36	0890101R	CER CAP B 10000PF 16V K	C112	0880004R	MYLAR CAP 0.0015 μ F K 50V AMZ T
C37	0890101R	CER CAP B 10000PF 16V K	C113	0800005Y	ELECT CAP SSL 2.2 μ F 50V
C38	0880014R	MYLAR CAP 0.047 μ F K 50V AMZ T	C114	0800005Y	ELECT CAP SSL 2.2 μ F 50V
C39	0890101R	CER CAP B 10000PF 16V K	C115	0893239R	CHIP CAP 39F 10000PF Z 50V
C40	0800003Y	ELECT CAP SSL 1 μ F 50V	C116	0893239R	CHIP CAP 39F 10000PF Z 50V
C41	0800042Y	ELECT CAP SSL 47 μ F 25V	C117	0800003Y	ELECT CAP SSL 1 μ F 50V
C42	0800003Y	ELECT CAP SSL 1 μ F 50V	C121	0893133R	CHIP CAP 39CH 330PF J 50V [E, EBS]
C43	0800103R	ELECT CAP SRA 0.22 μ F 50V	C122	0893133R	CHIP CAP 39CH 330PF J 50V [E, EBS]
C44	0800003Y	ELECT CAP SSL 1 μ F 50V	C123	0893133R	CHIP CAP 39CH 330PF J 50V [E, EBS]
C45	0890101R	CER CAP B 10000PF 16V K	C124	0893133R	CHIP CAP 39CH 330PF J 50V [E, EBS]
C46	0800005Y	ELECT CAP SSL 2.2 μ F 50V	C125	0893133R	CHIP CAP 39CH 330PF J 50V [E, EBS]
C47	0800005Y	ELECT CAP SSL 2.2 μ F 50V	C126	0893133R	CHIP CAP 39CH 330PF J 50V [E, EBS]
C48	0800003Y	ELECT CAP SSL 1 μ F 50V	C127	0893133R	CHIP CAP 39CH 330PF J 50V [E, EBS]
C49	0890101R	CER CAP B 10000PF 16V K	C128	0893133R	CHIP CAP 39CH 330PF J 50V [E, EBS]
C51	0800005Y	ELECT CAP SSL 2.2 μ F 50V	C129	0893135R	CHIP CAP 39CH 470PF J 50V [E, EBS]
C52	0800018Y	ELECT CAP SSL 10 μ F 50V	C130	0893135R	CHIP CAP 39CH 470PF J 50V [E, EBS]
C53	0890081R	CER CAP B 330PF 50V K [E, EBS]	C131	0893232R	CHIP CAP C1608 0.1 μ F 25V
C53	0890085R	CER CAP B 680PF 50V K [W, WUN]	C132	0893232R	CHIP CAP C1608 0.1 μ F 25V
C54	0890081R	CER CAP B 330PF 50V K [E, EBS]	C133	0893232R	CHIP CAP C1608 0.1 μ F 25V

PRODUCT SAFETY NOTE: Components marked with a  have special characteristics important to safety. Before replacing any of these components, please read carefully the Service Manual.


SYMBOL NO.	PART NO.	DESCRIPTION	SYMBOL NO.	PART NO.	DESCRIPTION
C134	0893239R	CHIP CAP 39F 10000PF Z 50V [E, EBS]	C238	H240068	AXIAL CAP F 100000PF Z 50V [W, WUN]
C135	0893242R	CHIP CAP 39F 22000PF Z 50V	C240	0800018Y	ELECT CAP SSL 10µF 50V
C136	0893242R	CHIP CAP 39F 22000PF Z 50V	C241	0800018Y	ELECT CAP SSL 10µF 50V
C137	0893239R	CHIP CAP 39F 10000PF Z 50V	C242	0800018Y	ELECT CAP SSL 10µF 50V
C151	0800018Y	ELECT CAP SSL 10µF 50V	C243	0800018Y	ELECT CAP SSL 10µF 50V
C152	0800018Y	ELECT CAP SSL 10µF 50V	C244	0800018Y	ELECT CAP SSL 10µF 50V
C153	0893132R	CHIP CAP 39CH 220PF J 50V [E, EBS]	C245	0800018Y	ELECT CAP SSL 10µF 50V
C154	0893132R	CHIP CAP 39CH 220PF J 50V [E, EBS]	C246	0800042Y	ELECT CAP SSL 47µF 25V
C157	0800018Y	ELECT CAP SSL 10µF 50V	C247	0893232R	CHIP CAP C1608 0.1µF 25V
C158	0800018Y	ELECT CAP SSL 10µF 50V	C248	0893232R	CHIP CAP C1608 0.1µF 25V
C159	0880198R	CAP POLY FILM 0.22µF J 50V	C249	0800018Y	ELECT CAP SSL 10µF 50V
C160	0880198R	CAP POLY FILM 0.22µF J 50V	C250	0800042Y	ELECT CAP SSL 47µF 25V
C161	0880198R	CAP POLY FILM 0.22µF J 50V	C251	0893232R	CHIP CAP C1608 0.1µF 25V
C162	0880198R	CAP POLY FILM 0.22µF J 50V	C252	0893232R	CHIP CAP C1608 0.1µF 25V
C163	0800018Y	ELECT CAP SSL 10µF 50V	C253	0800042Y	ELECT CAP SSL 47µF 25V
C164	0800018Y	ELECT CAP SSL 10µF 50V	C254	0893198R	CHIP CAP 0.027µF-K 25V
C165	0800026Y	ELECT CAP SSL 22µF 50V	C255	0893198R	CHIP CAP 0.027µF-K 25V
C166	0800026Y	ELECT CAP SSL 22µF 50V	C256	0893198R	CHIP CAP 0.027µF-K 25V
C167	0893232R	CHIP CAP C1608 0.1µF 25V	C257	0893198R	CHIP CAP 0.027µF-K 25V
C168	0893232R	CHIP CAP C1608 0.1µF 25V	C258	0893198R	CHIP CAP 0.027µF-K 25V
C169	0800042Y	ELECT CAP SSL 47µF 25V	C259	0893198R	CHIP CAP 0.027µF-K 25V
C170	0800042Y	ELECT CAP SSL 47µF 25V	C260	0800018Y	ELECT CAP SSL 10µF 50V
C171	0880004R	MYLAR CAP 0.0015µF K 50V AMZ T	C261	0800018Y	ELECT CAP SSL 10µF 50V
C172	0880004R	MYLAR CAP 0.0015µF K 50V AMZ T	C262	0800018Y	ELECT CAP SSL 10µF 50V
C173	0893232R	CHIP CAP C1608 0.1µF 25V	C263	0800018Y	ELECT CAP SSL 10µF 50V
C174	0800042Y	ELECT CAP SSL 47µF 25V	C264	0800018Y	ELECT CAP SSL 10µF 50V
C201	0800042Y	ELECT CAP SSL 47µF 25V	C265	0800018Y	ELECT CAP SSL 10µF 50V
C202	0893232R	CHIP CAP C1608 0.1µF 25V	C267	0276718R	CAP MYLAR 0.12µF J 50V
C204	0800034Y	ELECT CAP SSL 33µF 35V	C268	0893176R	CHIP CAP GRM39B 56000PF K 16V
C205	0893239R	CHIP CAP 39F 10000PF Z 50V	C269	0800018Y	ELECT CAP SSL 10µF 50V
C206	0800018Y	ELECT CAP SSL 10µF 50V	C270	0800003Y	ELECT CAP SSL 1µF 50V
C207	0893239R	CHIP CAP 39F 10000PF Z 50V	C271	0800003Y	ELECT CAP SSL 1µF 50V
C208	0893117R	CHIP CAP 39F 22PF J 50V	C274	0893126R	CHIP CAP 39CH 100PF K 50V
C209	0893239R	CHIP CAP 39F 10000PF Z 50V	C275	0893126R	CHIP CAP 39CH 100PF K 50V
C210	0893239R	CHIP CAP 39F 10000PF Z 50V	C276	0893126R	CHIP CAP 39CH 100PF K 50V
C211	0893239R	CHIP CAP 39F 10000PF Z 50V	C277	0893126R	CHIP CAP 39CH 100PF K 50V
C221	0893232R	CHIP CAP C1608 0.1µF 25V	C278	0893232R	CHIP CAP C1608 0.1µF 25V
C222	0893232R	CHIP CAP C1608 0.1µF 25V	C279	0800018Y	ELECT CAP SSL 10µF 50V
C223	0893232R	CHIP CAP C1608 0.1µF 25V	C280	0800018Y	ELECT CAP SSL 10µF 50V
C224	0893232R	CHIP CAP C1608 0.1µF 25V	C301	0800018Y	ELECT CAP SSL 10µF 50V
C225	0893232R	CHIP CAP C1608 0.1µF 25V	C302	0800018Y	ELECT CAP SSL 10µF 50V
C226	0893232R	CHIP CAP C1608 0.1µF 25V	C303	0800018Y	ELECT CAP SSL 10µF 50V
C227	0800042Y	ELECT CAP SSL 47µF 25V	C304	0800018Y	ELECT CAP SSL 10µF 50V
C228	0893232R	CHIP CAP C1608 0.1µF 25V	C305	0800018Y	ELECT CAP SSL 10µF 50V
C229	0880014R	MYLAR CAP 0.047µF K 50V AMZ T	C306	0800018Y	ELECT CAP SSL 10µF 50V
C230	0893116R	CHIP CAP 18PF-J 50V	C307	0800018Y	ELECT CAP SSL 10µF 50V
C231	0893116R	CHIP CAP 18PF-J 50V	C308	0800018Y	ELECT CAP SSL 10µF 50V
C232	0893232R	CHIP CAP C1608 0.1µF 25V	C309	0800018Y	ELECT CAP SSL 10µF 50V
C233	0893232R	CHIP CAP C1608 0.1µF 25V	C310	0800018Y	ELECT CAP SSL 10µF 50V
C234	0893239R	CHIP CAP 39F 10000PF Z 50V	C311	0800018Y	ELECT CAP SSL 10µF 50V
C235	0893239R	CHIP CAP 39F 10000PF Z 50V	C312	0800018Y	ELECT CAP SSL 10µF 50V
C236	0800018Y	ELECT CAP SSL 10µF 50V	C313	0800018Y	ELECT CAP SSL 10µF 50V
C237	0800003Y	ELECT CAP SSL 1µF 50V	C314	0800018Y	ELECT CAP SSL 10µF 50V

PRODUCT SAFETY NOTE: Components marked with a  have special characteristics important to safety. Before replacing any of these components, please read carefully the Service Manual.


SYMBOL NO.	PART NO.	DESCRIPTION	SYMBOL NO.	PART NO.	DESCRIPTION
C315	0800018Y	ELECT CAP SSL 10µF 50V	C474	0893242R	CHIP CAP 39F 22000PF Z 50V
C316	0800018Y	ELECT CAP SSL 10µF 50V	C501	0800026Y	ELECT CAP SSL 22µF 50V
C317	0800018Y	ELECT CAP SSL 10µF 50V	C502	0800026Y	ELECT CAP SSL 22µF 50V
C318	0800018Y	ELECT CAP SSL 10µF 50V	C503	0800018Y	ELECT CAP SSL 10µF 50V
C319	0800018Y	ELECT CAP SSL 10µF 50V	C504	0893119R	CHIP CAP 1608 33PF J 50V
C321	0800012Y	ELECT CAP SSL 4.7µF 50V	C505	0893119R	CHIP CAP 1608 33PF J 50V
C323	0800012Y	ELECT CAP SSL 4.7µF 50V	C506	0880003R	MYLAR-CAP 0.01µF K 50V AMZ T
C327	0800026Y	ELECT CAP SSL 22µF 50V	C507	0880003R	MYLAR-CAP 0.01µF K 50V AMZ T
C328	0800026Y	ELECT CAP SSL 22µF 50V	C508	0247842R	CER CAP SL 33PF 500V J
C329	0800026Y	ELECT CAP SSL 22µF 50V	C509	0247842R	CER CAP SL 33PF 500V J
C330	0800026Y	ELECT CAP SSL 22µF 50V	C510	0800044Y	ELECT CAP SSL 47µF 50V
C331	0800026Y	ELECT CAP SSL 22µF 50V	C511	0800044Y	ELECT CAP SSL 47µF 50V
C332	0800026Y	ELECT CAP SSL 22µF 50V	C512	0800044Y	ELECT CAP SSL 47µF 50V
C401	0800026Y	ELECT CAP SSL 22µF 50V	C513	0800044Y	ELECT CAP SSL 47µF 50V
C402	0800018Y	ELECT CAP SSL 10µF 50V	C514	0247854R	CER CAP SL 100PF J 500V
C403	0893126R	CHIP CAP 39 100PF K 50V	C515	0247854R	CER CAP SL 100PF J 500V
C404	0893119R	CHIP CAP 1608 33PF J 50V	C516	0800021R	ELECT CAP SME 10µF 100V
C405	0247842R	CER CAP SL 33PF 500V J	C517	0800021R	ELECT CAP SME 10µF 100V
C406	0800044Y	ELECT CAP SSL 47µF 50V	C518	0247854R	CER CAP SL 100PF J 500V
C407	0880003R	MYLAR-CAP 0.001µF K 50V AMZ T	C519	0247854R	CER CAP SL 100PF J 500V
C408	0800044Y	ELECT CAP SSL 47µF J 50V	C520	AN00591R	CAP POLY FILM 0.1µF 200V [E, EBS]
C409	0247854R	CER CAP SL 100PF J 500V	C521	AN00591R	CAP POLY FILM 0.1µF 200V [E, EBS]
C410	0800021R	ELECT CAP SME 10µF 100V	C522	0880009R	MYLAR-CAP 0.01µF K 50V AMZ T
C411	0247854R	CER CAP SL 100PF J 500V	C523	0880009R	MYLAR-CAP 0.01µF K 50V AMZ T
C414	0880009R	MYLAR-CAP 0.01µF K 50V AMZ T	C524	0880016R	CAR POLY FILM 0.1µF K 50V AMZ
C415	0880016R	CAP POLY FILM 0.1µF K 50V AMZ	C525	0880016R	CAR POLY FILM 0.1µF K 50V AMZ
C416	0800042Y	ELECT CAP SSL 47µF 25V	C526	0800042Y	ELECT CAP SSL 47µF 25V
C417	0890085R	CER CAP B 680PF 50V K	C527	0800042Y	ELECT CAP SSL 47µF 25V
C418	0893239R	CHIP CAP 39F 10000PF Z 50V	C528	0893239R	CHIP CAP 39F 10000PF Z 50V
C419	0800042Y	ELECT CAP SSL 47µF 25V	C529	0893239R	CHIP CAP 39F 10000PF Z 50V
C420	0890028M	AXIAL-CAP B 330PF K 50V	C530	0893239R	CHIP CAP 39F 10000PF Z 50V
C421	0890028M	AXIAL-CAP B 330PF K 50V	C531	0893239R	CHIP CAP 39F 10000PF Z 50V [W, WUN]
C451	0800018Y	ELECT CAP SSL 10µF 50V	C531	0880009R	MYLAR-CAP 0.01µF K 50V AMZ T [E, EBS]
C452	0800018Y	ELECT CAP SSL 10µF 50V	C532	0893239R	CHIP CAP 39F 10000PF Z 50V [W, WUN]
C453	0893126R	CHIP CAP 39CH 100PF K 50V	C532	0880009R	MYLAR-CAP 0.01µF K 50V AMZ T [E, EBS]
C454	0893126R	CHIP CAP 39CH 100PF K 50V	C533	0880013R	MYLAR-CAP 0.033µF K 50V AMZ [W, WUN]
C455	0893126R	CHIP CAP 39CH 100PF K 50V	C533	0880011R	MYLAR-CAP 0.015µF K 50V AMZ T [E, EBS]
C456	0893126R	CHIP CAP 39CH 100PF K 50V	C534	0880013R	MYLAR-CAP 0.033µF K 50V AMZ [W, WUN]
C457	0800042Y	ELECT CAP SSL 47µF 25V	C534	0880011R	MYLAR-CAP 0.015µF K 50V AMZ T [E, EBS]
C458	0800042Y	ELECT CAP SSL 47µF 25V	C535	0880013R	MYLAR-CAP 0.033µF K 50V AMZ [W, WUN]
C459	0880005R	MYLAR CAP 0.0022µF K 50V AMZ T	C535	0880011R	MYLAR-CAP 0.015µF K 50V AMZ T [E, EBS]
C460	0880005R	MYLAR CAP 0.0022µF K 50V AMZ T	C536	0893239R	CHIP CA 39F 10000PF Z 50V
C461	0276720R	CAP MYLAR 0.18µF J 50V	C537	0880013R	MYLAR-CAP 0.033µF K 50V AMZ [W, WUN]
C462	0276720R	CAP MYLAR 0.18µF J 50V	C537	0880011R	MYLAR-CAP 0.015µF K 50V AMZ T [E, EBS]
C463	0800003Y	ELECT CAP SSL 1µF 50V	C538	0880013R	MYLAR-CAP 0.033µF K 50V AMZ [W, WUN]
C464	0800003Y	ELECT CAP SSL 1µF 50V	C538	0880011R	MYLAR-CAP 0.015µF K 50V AMZ T [E, EBS]
C467	H275031K	MYLAR-CAP 0.012 K 50V T	C539	0893239R	CHIP CAP 39F 10000PF Z 50V
C468	H275031K	MYLAR-CAP 0.012 K 50V T	C540	0893239R	CHIP CAP 39F 10000PF Z 50V
C469	0880054R	CAP POLY FILM 0.056µF K 50V	C541	0893239R	CHIP CAP 39F 10000PF Z 50V
C470	0880054R	CAP POLY FILM 0.056µF K 50V	C542	0800026Y	ELECT CAP SSL 22µF 50V
C471	0800105R	ELECT-CAP SRA 0.33µF 50V	C543	0800026Y	ELECT CAP SSL 22µF 50V
C472	0800105R	ELECT-CAP SRA 0.33µF 50	C544	0800018Y	ELECT CAP SSL 10µF 50V
C473	0893242R	CHIP CAP 39F 22000PF Z 50V	C545	0893126R	CHIP CAP 39SL 100PF K 50V

PRODUCT SAFETY NOTE: Components marked with a  have special characteristics important to safety. Before replacing any of these components, please read carefully the Service Manual.


SYMBOL NO.	PART NO.	DESCRIPTION	SYMBOL NO.	PART NO.	DESCRIPTION
C546	0893126R	CHIP CAP 39SL 100PF K 50V	C710	0893208R	CHIP CAP 39B 1000PF K 50V
C547	0800078Q	ELECT CAP 470µF-M 63V	C712	0893239R	CHIP CAP 39F 10000PF K 50V
C552	0800018Y	ELECT CAP SSL 10µF 50V	C713	0800064R	ELECT CAP SME 330µF 6.3V
C553	0880011R	MYLAR CAP 0.015µF K 50V AMZ T [E, EBS]	C751	0890048M	AXIAL-CAP UVX 100µF 10V
C554	0880011R	MYLAR CAP 0.015µF K 50V AMZ T [E, EBS]	C752	0890048M	AXIAL-CAP UVX 100µF 10V
C555	0880011R	MYLAR CAP 0.015µF K 50V AMZ T [E, EBS]	C753	0890048M	AXIAL-CAP UVX 100µF 10V
C556	0880011R	MYLAR CAP 0.015µF K 50V AMZ T [E, EBS]	C754	0893239R	CHIP CAP 39F 10000PF Z 50V
C557	0880011R	MYLAR CAP 0.015µF K 50V AMZ T [E, EBS]	C755	0800018Y	ELECT CAP SSL 10µF 50V
C558	0890043M	AXIAL-CAP 10000PF M 16V [E, EBS]	C756	0800018Y	ELECT CAP SSL 10µF 50V
C601	0800018Y	ELECT CAP SCH 10µF 50V	C758	0800026Y	ELECT CAP SSL 22µF 50V
C602	0800018Y	ELECT CAP SCH 10µF 50V	C759	0800048R	ELECT CAP UVX 100µF 10V
C603	0893126R	CHIP CAP 39CH 100PF K 50V	C760	0800048R	ELECT CAP UVX 100µF 10V
C604	0893126R	CHIP CAP 39CH 100PF K 50V	C761	0800026Y	ELECT CAP SSL 22µF 50V
C605	0893119R	CHIP CAP CH 1608 33PF J 50V	C762	0800012Y	ELECT CAP SSL 4.7µF 50V
C606	0893119R	CHIP CAP CH 1608 33PF J 50V	C763	0800012Y	ELECT CAP SSL 4.7µF 50V
C607	0880003R	MYLAR CAP 0.001µF K 50V AMZ T	C805	AL00942Q	ELECT CAP LP5 8200µF 56V
C608	0880003R	MYLAR CAP 0.001µF K 50V AMZ T	C806	AL00942Q	ELECT CAP LP5 8200µF 56V
C609	0247842R	CER CAP SL 33PF 500V J	C807	0800003Y	ELECT CAP SSL 1µF 50V
C610	0247842R	CER CAP SL 33PF 500V J	C808	0800018Y	ELECT CAP SSL 10µF 50V
C611	0800044Y	ELECT CAP SSL 47µF 50V	C809	0800003Y	ELECT CAP SSL 1µF 50V
C612	0800044Y	ELECT CAP SSL 47µF 50V	C810	0893232R	CHIP CAP C1608 0.1µF 25V
C613	0800044Y	ELECT CAP SSL 47µF 50V	C811	0893232R	CHIP CAP C1608 0.1µF 25V
C614	0800044Y	ELECT CAP SSL 47µF 50V	C812	0893232R	CHIP CAP C1608 0.1µF 25V
C615	0247854R	CER CAP SL 100PF J 500V	C813	0800042Y	ELECT CAP SSL 47µF 25V
C616	0247854R	CER CAP SL 100PF J 500V	C814	0893232R	CHIP CAP C1608 0.1µF 25V
C617	0800021R	ELECT CAP SME 10µF 100V	C815	0800064R	ELECT CAP SME 330µF 6.3V
C618	0800021R	ELECT CAP SME 10µF 100V	C816	0800042Y	ELECT CAP SSL 47µF 25V
C619	0247854R	CER CAP SL 100PF J 500V	C817	0893239R	CHIP CAP 39F 10000PF Z 50V
C620	0247854R	CER CAP SL 100PF J 500V	C818	0800056R	ELECT CAP SME 220µF 6.3V
C625	0893239R	CHIP CAP 39F 10000PF Z 50V	C819	0276718R	CAP MYLAR 0.12µF J 50V
C626	0893239R	CHIP CAP 39F 10000PF Z 50V	C820	0800088Q	ELECT CAP 3300µF-M 6.3V
C627	0880016R	CAP POLY FILM 0-1µF 50V AMZ	C821	0800012Y	ELECT CAP SSL 4.7µF 50V
C628	0880016R	CAP POLY FILM 0-1µF 50V AMZ	C822	0893239R	CHIP CAP 39F 10000PF Z 50V
C629	0800078Q	ELECT CAP 470µF-M 63V	C823	0893239R	CHIP CAP 39F 10000PF Z 50V
C630	0893239R	CK73MF1H103ZR [W, WUN]	C824	0800018Y	ELECT CAP SSL 10µF 50V
C630	0893232R	CK73MF1H104ZR [E, EBS]	C825	0800018Y	ELECT CAP SSL 10µF 50V
C631	0893239R	CK73MF1H103ZR [W, WUN]	C826	0893239R	CHIP CAP 39F 10000PF Z 50V
C631	0893232R	CK73MF1H104ZR [E, EBS]	C827	0893239R	CHIP CAP 39F 10000PF Z 50V
C632	0880013R	CQ92M1H333KB [W, WUN]	C828	AN00591R	CAP POLY FILM 0.1µF 200V
C632	0880011R	CQ92M1H153KBR [E, EBS]	C829	0253934Q	ELECT CAP SME 2200µF 35V
C633	0880013R	CQ92M1H333KB [W, WUN]	C830	0253934Q	ELECT CAP SME 2200µF 35V
C633	0880011R	CQ92M1H153KBR [E, EBS]	C831	AN00591R	CAP POLY FILM 0.1µF 200V
C634	0880011R	MYLAR CAP 0.015µF K 50V AMZ T [E, EBS]	C832	0800018Y	ELECT CAP SSL 10µF 50V
C635	0880011R	MYLAR CAP 0.015µF K 50V AMZ T [E, EBS]	C833	0893239R	CHIP CAP 39F 10000PF Z 50V
C701	0893239R	CHIP CAP 39F 10000PF Z 50V	C834	0893239R	CHIP CAP 39F 10000PF Z 50V
C702	0893239R	CHIP CAP 39F 10000PF Z 50V	C835	0800018Y	ELECT CAP SSL 10µF 50V
C703	0893239R	CHIP CAP 39F 10000PF Z 50V	C836	0893239R	CHIP CAP 39F 10000PF Z 50V
C704	0800048R	ELECT CAP UVX 100µF 10V	C837	0800144R	ELECT CAP SRA 100µF 10V
C705	0893232R	CHIP CAP C1608 0.1µF 25V	C839	AL00479Q	ELECT CAP RE2 3300µF 16V
C706	0800053Y	ELECT CAP SSL 100µF 50V	C840	H244171	CER-CAP YF 103 50V Z T
C707	0893239R	CHIP CAP 39F 10000PF Z 50V	C901	AN00131S	CE CAP CQ 0.01µF 250V PA103-C
C708	0800064R	ELECT CAP SME 330µF 6.3V	C902	0893239R	CHIP CAP 39F 10000PF Z 50V
C709	0225041R	CHIP CAP CH 1608 30PF J 50V	C903	H244171	CER-CAP YF 103 50V Z T

PRODUCT SAFETY NOTE: Components marked with a  have special characteristics important to safety. Before replacing any of these components, please read carefully the Service Manual.


SYMBOL NO.	PART NO.	DESCRIPTION	SYMBOL NO.	PART NO.	DESCRIPTION
C904	H244171	CER-CAP YF 103 50V Z T	R34	0700071Q	RES CAR 1/16W 180KJ [E, EBS]
C905	AL00476Q	ELECT CAP RE2 2200µF 25V	R35	0700067Q	RES CAR 1/16W 100KJ [W, WUN]
C906	0800005Y	ELECT CAP SSL 2.2µF 50V	R35	0700069Q	RES CAR 1/16W 150KJ [E, EBS]
C907	0800003Y	ELECT CAP SSL 1µF 50V	R36	0700047Q	RES CAR 1/16W 3.3KJ
C908	0880016R	CAP POLY FILM 0.1µF K 50V AMZ	R37	0700054Q	RES CAR 1/16W 10K
C909	0800003Y	ELECT CAP SSL 1µF 50V [E, EBS]	R38	0700067Q	RES CAR 1/16W 100KJ
C951	0893133R	CHIP CAP 39SL 330PF J 50V	R39	0700044Q	RES CAR 1/16W 1.8KJ
C952	0893133R	CHIP CAP 39SL 330PF J 50V	R40	0700044Q	RES CAR 1/16W 1.8KJ
C953	0893133R	CHIP CAP 39SL 330PF J 50V	R41	0700049Q	RES CAR 1/16W 4.7KJ [E, EBS]
C954	0893133R	CHIP CAP 39SL 330PF J 50V	R41	0700052Q	RES CAR 1/16W 6.8K [W , WUN]
C955	0893133R	CHIP CAP 39SL 330PF J 50V	R42	0700049Q	RES CAR 1/16W 4.7KJ [E, EBS]
C956	0893133R	CHIP CAP 39SL 330PF J 50V	R42	0700052Q	RES CAR 1/16W 6.8K [W , WUN]
C957	0893232R	CHIP CAP C1608 0.1µF 25V	R43	0700057Q	RES CAR 1/16W 18K
C958	0800119R	ELECT CAP SRA 4.7µF 50V	R45	0700054Q	RES CAR 1/16W 10K
C960	0800012R	ELECT CAP SSL 4.7µF 50V	R46	0700051Q	RES CAR 1/16W 5.6K
C962	0893239R	CHIP CAP C1608 0.1µF 50V	R50	0700027Q	RES CAR 1/16W 100J [W , WUN]
C963	0893239R	CHIP CAP 39F 10000PF Z 50V	R51	0700047Q	RES CAR 1/16W 3.3KJ
RESISTORS :					
R1	0700041Q	RES CAR 1/16W 1KJ	R52	0700067Q	RES CAR 1/16W 100KJ
R2	0700051Q	RES CAR 1/16W 5.6K [E, EBS]	R101	0790046R	CHIP RES RNC 1/16W 4.7K-J [E, EBS]
R4	0700054Q	RES CAR 1/16W 10K [E, EBS]	R102	0790046R	CHIP RES RNC 1/16W 4.7K-J [E, EBS]
R5	0700035Q	RES CAR 1/16W 390J [E, EBS]	R103	0790032R	CHIP RES RNC 1/16W 390-J
R5	0700041Q	RES CAR 1/16W 1KJ [W, WUN]	R104	0790032R	CHIP RES RNC 1/16W 390-J
R6	0700034Q	RES CAR 1/16W 330J [E, EBS]	R105	0790062R	CHIP RES RNC 1/16W 68K-J
R7	0700049Q	RES CAR 1/16W 4.7KJ	R106	0790062R	CHIP RES RNC 1/16W 68K-J
R8	0700034Q	RES CAR 1/16W 330J	R107	0790066R	CHIP RES RNC 1/16W 150K-J
R9	0700032Q	RES CAR 1/16W 220J	R108	0790066R	CHIP RES RNC 1/16W 150K-J
R10	0700044Q	RES CAR 1/16W 1.8KJ	R109	0790019R	CHIP RES RNC 1/16W 47-J
R11	0700034Q	RES CAR 1/16W 330J	R110	0790019R	CHIP RES RNC 1/16W 47-J
R14	AT01244R	CAR RES FR 1/4W 100-J	R111	0790037R	CHIP RES RNC 1/16W 1K-J
R15	0700051Q	RES CAR 1/16W 5.6K	R112	0790037R	CHIP RES RNC 1/16W 1K-J
R16	0700045Q	RES CAR FILM 1/16W 2.2KJ	R113	0790074R	CHIP RES RNC 1/16W 560K-J
R17	0700041Q	RES CAR 1/16W 1KJ	R114	0790074R	CHIP RES RNC 1/16W 560K-J
R19	AT01244R	CAR RES FR 1/4W 100-J	R115	0790059R	CHIP RES RNC 1/16W 47K-J
R20	0700056Q	RES CAR 1/16W 15K	R116	0790059R	CHIP ERS RNC 1/16W 47K-J
R21	0700028Q	RES CAR 1/16W 120J	R117	0790015R	CHIP RES RNC 1/16W 22-J
R22	0700062Q	RES CAR 1/16W 39K	R118	0790015R	CHIP RES RNC 1/16W 22-J
R23	0700042Q	RES CAR 1/16W 1.2KJ	R119	0790073R	CHIP RES RNC 1/16W 470K-J
R24	0700052Q	RES CAR 1/16W 6.8K	R120	0790073R	CHIP RES RNC 1/16W 470K-J
R25	0700054Q	RES CAR 1/16W 10K	R121	0790077R	CHIP RES RNC 1/16W 1M
R26	0700054Q	RES CAR 1/16W 10K	R122	0790077R	CHIP RES RNC 1/16W 1M
R27	0700047Q	RES CAR 1/16W 3.3KJ	R123	0790077R	CHIP RES RNC 1/16W 1M
R28	0700054Q	RES CAR 1/16W 10K [E, EBS]	R124	0790077R	CHIP RES RNC 1/16W 1M
R28	0187090Q	RES CAR 1/16W 11K [W, WUN]	R125	0790077R	CHIP RES RNC 1/16W 1M
R29	0700065Q	RES CAR 1/16W 68KJ	R126	0790077R	CHIP RES RNC 1/16W 1M
R30	0187108Q	RES CAR FILM 1/16W 62KJ	R127	0790077R	CHIP RES RNC 1/16W 1M
R31	0187108Q	RES CAR FILM 1/16W 62KJ	R128	0790077R	CHIP RES RNC 1/16W 1M
R32	0700067Q	RES CAR 1/16W 100KJ [W, WUN]	R129	0790077R	CHIP RES RNC 1/16W 1M
R32	0700069Q	RES CAR 1/16W 150KJ [E, EBS]	R130	0790077R	CHIP RES RNC 1/16W 1M
R33	0700068Q	RES CAR 1/16W 120KJ [W, WUN]	R131	0790033R	CHIP RES RNC 1/16W 470-J
R33	0700071Q	RES CAR 1/16W 180KJ [E, EBS]	R132	0790033R	CHIP RES RNC 1/16W 470-J
R34	0700068Q	RES CAR 1/16W 120KJ [W, WUN]	R133	0790033R	CHIP RES RNC 1/16W 470-J
			R134	0790033R	CHIP RES RNC 1/16W 470-J
			R135	0790033R	CHIP RES RNC 1/16W 470-J

PRODUCT SAFETY NOTE: Components marked with a  have special characteristics important to safety. Before replacing any of these components, please read carefully the Service Manual.


SYMBOL NO.	PART NO.	DESCRIPTION	SYMBOL NO.	PART NO.	DESCRIPTION
R136	0790033R	CHIP RES RNC 1/16W 470-J	R221	0790051R	CHIP RES RNC 1/16W 10K-J
R137	0790033R	CHIP RES RNC 1/16W 470-J	R222	0790051R	CHIP RES RNC 1/16W 10K-J
R138	0790033R	CHIP RES RNC 1/16W 470-J	R223	0790051R	CHIP RES RNC 1/16W 10K-J
R139	0790033R	CHIP RES RNC 1/16W 470-J	R224	0790051R	CHIP RES RNC 1/16W 10K-J
R140	0790033R	CHIP RES RNC 1/16W 470-J	R229	AT01228T	FUSE RES NB 27-J
R141	0790033R	CHIP RES RNC 1/16W 470-J	R230	0790039R	CHIP RES RNC 1/16W 1.5K-J
R142	0790033R	CHIP RES RNC 1/16W 470-J	R231	0790039R	CHIP RES RNC 1/16W 1.5K-J
R143	0790033R	CHIP RES RNC 1/16W 470-J	R232	0790051R	CHIP RES RNC 1/16W 10K-J
R144	0790033R	CHIP RES RNC 1/16W 470-J	R233	0790039R	CHIP RES RNC 1/16W 1.5K-J
R151	0790024R	CHIP RES RNC 1/15W 100-J	R234	0790039R	CHIP RES RNC 1/16W 1.5K-J
R152	0790024R	CHIP RES RNC 1/16W 100-J	R237	0790037R	CHIP RES RNC 1/16W 1K-J
R153	0790064R	CHIP RES RNC 1/16W 100K-J	R238	0790039R	CHIP RES RNC 1/16W 1.5K-J
R154	0790064R	CHIP RES RNC 1/16W 100K-J	R240	0790056R	CHIP RES RNC 1/16W 27K-J
R155	0790064R	CHIP RES RNC 1/16W 100K-J	R241	0790056R	CHIP RES RNC 1/16W 27K-J
R156	0790064R	CHIP RES RNC 1/16W 100K-J	R242	0790056R	CHIP RES RNC 1/16W 27K-J
R157	0790024R	CHIP RES RNC 1/16W 100-J	R243	0790056R	CHIP RES RNC 1/16W 27K-J
R158	0790024R	CHIP RES RNC 1/16W 100-J	R244	0790056R	CHIP RES RNC 1/16W 27K-J
R159	0790064R	CHIP RES RNC 1/16W 100K-J	R245	0790056R	CHIP RES RNC 1/16W 27K-J
R160	0790064R	CHIP RES RNC 1/16W 100K-J	R246	0790028R	CHIP RES RNC 1/16W 220-J
R161	0196096R	CHIP RES 1/16W 13K-J	R247	0790028R	CHIP RES RNC 1/16W 220-J
R162	0196096R	CHIP RES 1/16W 13K-J	R248	0790028R	CHIP RES RNC 1/16W 220-J
R163	0196096R	CHIP RES 1/16W 13K-J	R249	0790028R	CHIP RES RNC 1/16W 220-J
R164	0196096R	CHIP RES 1/16W 13K-J	R250	0790046R	CHIP RES RNC 1/16W 4.7K-J
R165	0196096R	CHIP RES 1/16W 13K-J	R251	0790046R	CHIP RES RNC 1/16W 4.7K-J
R166	0196096R	CHIP RES 1/16W 13K-J	R252	0790037R	CHIP RES RNC 1/16W 1K-J
R167	0700039M	RES CAR 1/16W 820J T	R253	0790037R	CHIP RES RNC 1/16W 1K-J
R171	0790024R	CHIP RES RNC 1/16W 100-J	R254	0790037R	CHIP RES RNC 1/16W 1K-J
R172	0790024R	CHIP RES RNC 1/16W 100-J	R255	0790037R	CHIP RES RNC 1/16W 1K-J
R173	0790064R	CHIP RES RNC 1/16W 100K-J	R256	0790037R	CHIP RES RNC 1/16W 1K-J
R174	0790064R	CHIP RES RNC 1/16W 100K-J	R257	0790037R	CHIP RES RNC 1/16W 1K-J
R175	0790024R	CHIP RES RNC 1/16W 100-J	R258	0790039R	CHIP RES RNC 1/16W 1.5K-J
R176	0790024R	CHIP RES RNC 1/16W 100-J	R259	0790077R	CHIP RES RNC 1/16W 1M
R177	0790051R	CHIP RES RNC 1/16W 10K-J	R260	0196091R	CHIP RES 1/16W 9.1K-J
R178	0790051R	CHIP RES RNC 1/16W 10K-J	R261	0196091R	CHIP RES 1/16W 9.1K-J
R179	0196077R	CHIP RES 1/16W 2.4KJ	R263	0790051R	CHIP RES RNC 1/16W 10K-J
R180	0196077R	CHIP RES 1/16W 2.4KKJ	R265	0790059R	CHIP RES RNC 1/16W 47K-J
R181	0790046R	CHIP RES RNC 1/16W 4.7K-J	R266	0790064R	CHIP RES RNC 1/16W 100K-J
R182	0790046R	CHIP RES RNC 1/16W 4.7K-J	R267	0790064R	CHIP RES RNC 1/16W 100K-J
R183	0790046R	CHIP RES RNC 1/16W 4.7K-J	R268	0790064R	CHIP RES RNC 1/16W 100K-J
R184	0790046R	CHIP RES RNC 1/16W 4.7K-J	R269	0790059R	CHIP RES RNC 1/16W 47K-J
R185	0790051R	CHIP RES RNC 1/16W 10K-J	R270	0790059R	CHIP RES RNC 1/16W 47K-J
R186	0790051R	CHIP RES RNC 1/16W 10K-J	R271	0790056R	CHIP RES RNC 1/16W 27K-J
R187	0790051R	CHIP RES RNC 1/16W 10K-J	R272	0196102R	CHIP RES 1/16W 24K-J
R188	0790051R	CHIP RES RNC 1/16W 10K-J	R273	0196102R	CHIP RES 1/16W 24K-J
R189	0196054R	CHIP RES 1/16W 300-J	R274	0790024R	CHIP RES RNC 1/16W 100-J
R190	0196054R	CHIP RES 1/16W 300-J	R275	0790064R	CHIP RES RNC 1/16W 100K-J
R191	0196054R	CHIP RES 1/16W 300-J	R277	0790059R	CHIP RES RNC 1/16W 47K-J
R192	0196054R	CHIP RES 1/16W 300-J	R278	0196081R	CHIP RES 1/16W 3.6K-J
R201	0790046R	CHIP RES RNC 1/16W 4.7K-J	R279	0196096R	CHIP RES 1/16W 13K-J
R202	0196039R	CHIP RES 1/16W 75J	R280	0790054R	CHIP RES RNC 1/16 18K-J
R203	0790024R	CHIP RES RNC 1/16W 100-J	R282	0790046R	CHIP RES RNC 1/16W 4.7K-J
R204	0790042R	CHIP RES RNC 1/16W 2.2K-J	R283	0196088R	CHIP RES 1/16W 6.8KJ
R205	0790059R	CHIP RES RNC 1/16W 47K-J	R284	0790059R	CHIP RES RNC 1/16W 47K-J

PRODUCT SAFETY NOTE: Components marked with a  have special characteristics important to safety. Before replacing any of these components, please read carefully the Service Manual.


SYMBOL NO.	PART NO.	DESCRIPTION	SYMBOL NO.	PART NO.	DESCRIPTION
R285	0196081R	CHIP RES 1/16W 3.6K-J	R339	0700041Q	RES CAR 1/16W 1KJ
R286	0196081R	CHIP RES 1/16W 3.6K-J	R340	0700041Q	RES CAR 1/16W 1KJ
R287	0790046R	CHIP RES RNC 1/16W 4.7K-J	R341	0700067Q	RES CAR 1/16W 100KJ
R288	0790046R	CHIP RES RNC 1/16W 4.7K-J	R342	0700027Q	RES CAR 1/16W 100J
R289	0790046R	CHIP RES RNC 1/16W 4.7K-J	R343	0700049Q	RES CAR 1/16W 4.7KJ
R290	0790046R	CHIP RES RNC 1/16W 4.7K-J	R344	0700047Q	RES CAR 1/16W 3.3KJ
R291	0790051R	CHIP RES RNC 1/16W 10K-J	R401	0790046R	CHIP RES RNC 1/16W 4.7K-J
R292	AT03703T	FUSE RES 1/4W 4.7-J	R402	0790056R	CHIP RES RNC 1/16W 27K-J
R293	0790051R	CHIP RES RNC 1/16W 10K-J	R403	0790028R	CHIP RES RNC 1/16W 220-J
R294	0790051R	CHIP RES RNC 1/16W 10K-J	R404	0790051R	CHIP RES RNC 1/16W 10K-J
R295	0790051R	CHIP RES RNC 1/16W 10K-J	R405	0790073R	CHIP RES RNC 1/16W 470K-J
R296	0790051R	CHIP RES RNC 1/16W 10K-J	R406	0700061Q	RES CAR FILM 1/16W 33KJ
R297	0790051R	CHIP RES RNC 1/16W 10K-J	R407	0790057R	CHIP RES RNC 1/16W 33K-J
R298	0790028R	CHIP RES RNC 1/16W 220-J	R408	AT03701R	FUSE RES 1/4W 1.5K RF25SVTPA
R299	0790028R	CHIP RES RNC 1/16W 220-J	R409	0790031R	CHIP RES RNC 1/16W 330-J
R301	0700063Q	RES CAR 1/16W 47KJ	R410	0196073R	CHIP RES 1/16W 1.6KJ
R302	0700072Q	RES CAR FILM 1/16W 220KJ	R411	0790059R	CHIP RES RNC 1/16W 47K-J
R303	0700063Q	RES CAR 1/16W 47KJ	R412	AT03702R	FUSE RES 1/4W 47J RF25SVTPA
R304	0700067Q	RES CAR 1/16W 100KJ	R413	AT01129R	FLAME RETARDANT RES 1W 5.6K
R305	0700054Q	RES CAR 1/16W 10K	R414	AT01129R	FLAME RETARDANT RES 1W 5.6K
R306	H113612	CAR RES 1/6W 750J T	R415	0187100Q	RES CAR FILM 1/16W 30KJ
R307	0700067Q	RES CAR 1/16W 100KJ	R416	0700042Q	RES CAR 1/16W 1.2KJ
R308	0700063Q	RES CAR 1/16W 47KJ	R417	H113618	CAR RES 1/6W 1.3K J T
R309	0700063Q	RES CAR 1/16W 47KJ	R418	AT01257R	FLAME RETARDANT RES 1/4W 330-J
R310	0700072Q	RES CAR FILM 1/16W 220KJ	R419	AT01191R	RES METAL FILM 1/4W 1.0J
R311	0700067Q	RES CAR 1/16W 100KJ	R420	AT01191R	RES METAL FILM 1/4W 1.0J
R312	0700049Q	RES CAR 1/16W 4.7KJ	R421	AT01012R	FLAME RETARDANT RES 1W 0.22-J
R313	H113604	CAR RES 1/6W 360J T	R422	AT01012R	FLAME RETARDANT RES 1W 0.22-J
R314	0700027Q	RES CAR 1/16W 100J	R423	AT01012R	FLAME RETARDANT RES 1W 0.22-J
R315	0700063Q	RES CAR 1/16W 47KJ	R424	AT01012R	FLAME RETARDANT RES 1W 0.22-J
R316	0700072Q	RES CAR FILM 1/16W 220KJ	R425	0196100R	CHIP RES 1/16W 20K-J
R317	0700063Q	RES CAR 1/16W 47KJ	R426	0790064R	CHIP RES RNC 1/16W 100K-J
R318	0700067Q	RES CAR 1/16W 100KJ	R427	0790069R	CHIP RES RNC 1/16W 270K-J
R319	0700049Q	RES CAR 1/16W 4.7KJ	R428	AT01056R	FLAME RETARDANT RES 1W 10-J
R320	H113604	CAR RES 1/6W 360J T	R429	AT01217R	FLAME RETARDANT RES 1/4W 10-J
R321	0700027Q	RES CAR 1/16W 100J	R430	0790055R	CHIP RES RNC 1/16W 22K-J
R322	0700063Q	RES CAR 1/16W 47KJ	R431	0196100R	CHIP RES 1/16W 20K-J
R323	0700063Q	RES CAR 1/16W 47KJ	R433	0196090R	CHIP RES 1/16W 8.2KJ
R324	0700072Q	RES CAR FILM 1/16W 220KJ	R434	0196064R	CHIP RES 1/16W 750-J
R325	0700049Q	RES CAR 1/16W 4.7KJ	R435	0196064R	CHIP RES RNC 1/16W 100K-J
R326	H113604	CAR RES 1/6W 360J T	R436	0790041R	CHIP RES RNC 1/16W 1.8K-J
R327	0700067Q	RES CAR 1/16W 100KJ	R437	0790033R	CHIP RES RNC 1/16W 470-J [E, EBS]
R328	0700027Q	RES CAR 1/16W 100J	R437	0790001R	CHIP RES 1/16W 0-J [W, WUN]
R329	0700063Q	RES CAR 1/16W 47KJ	R451	0790049R	CHIP RES RNC 1/16W 8.2K-J
R330	0700072Q	RES CAR FILM 1/16W 220KJ	R452	0790049R	CHIP RES RNC 1/16W 8.2K-J
R331	0700063Q	RES CAR 1/16W 47KJ	R453	0196112R	CHIP RES 1/16W 62K-J
R332	0700067Q	RES CAR 1/16W 100KJ	R454	0196112R	CHIP RES 1/16W 62K-J
R333	0700041Q	RES CAR 1/16W 1KJ	R455	0790053R	CHIP RES RNC 1/16W 15K-J
R334	0700041Q	RES CAR 1/16W 1KJ	R456	0790053R	CHIP RES RNC 1/16W 15K-J
R335	0700027Q	RES CAR 1/16W 100J	R457	0196112R	CHIP RES 1/16W 62K-J
R336	0700063Q	RES CAR 1/16W 47KJ	R458	0196112R	CHIP RES 1/16W 62K-J
R337	0700063Q	RES CAR 1/16W 47KJ	R463	0790038R	CHIP RES RNC 1/16W 1.2K-J
R338	0700072Q	RES CAR FILM 1/16W 220KJ	R464	0790038R	CHIP RES RNC 1/16W 1.2K-J

PRODUCT SAFETY NOTE: Components marked with a  have special characteristics important to safety. Before replacing any of these components, please read carefully the Service Manual.


SYMBOL NO.	PART NO.	DESCRIPTION	SYMBOL NO.	PART NO.	DESCRIPTION
R465	0790028R	CHIP RES RNC 1/16W 220-J	R540	AT01257R	FLAME RETARDENT RES 1/4W 330-J
R466	0790028R	CHIP RES RNC 1/16W 220-J	R541	AT01191R	RES METAL FILM 1/4W 1.0J
R467	0196094R	CHIP RES 1/16W 11K-J	R542	AT01191R	RES METAL FILM 1/4W 1.0J
R468	0196094R	CHIP RES 1/16W 11K-J	R543	AT01012R	FLAME RETARDANT RES 1W 0.22-J
R469	0790041R	CHIP RES RNC 1/16W 1.8K-J	R544	AT01012R	FLAME RETARDANT RES 1W 0.22-J
R470	0790041R	CHIP RES RNC 1/16W 1.8K-J	R545	AT01012R	FLAME RETARDANT RES 1W 0.22-J
R471	0196013R	CHIP RES 1/16W 6.8J	R546	AT01012R	FLAME RETARDANT RES 1W 0.22-J
R472	0196013R	CHIP RES 1/16W 6.8J	R547	AT01012R	FLAME RETARDANT RES 1W 0.22-J
R473	0196050R	CHIP RES 1/16W 200-J	R548	AT01012R	FLAME RETARDANT RES 1W 0.22-J
R474	0196050R	CHIP RES 1/16W 200-J	R549	AT01012R	FLAME RETARDANT RES 1W 0.22-J
R475	0790018R	CHIP RES RNC 1/16W 39-J	R550	AT01012R	FLAME RETARDANT RES 1W 0.22-J
R476	0790018R	CHIP RES RNC 1/16W 39-J	R551	0196100R	CHIP RES 1/16W 20K-J
R477	0790024R	CHIP RES RNC 1/16W 100-J	R552	0196100R	CHIP RES 1/16W 20K-J
R478	0790024R	CHIP RES RNC 1/16W 100-J	R553	0790064R	CHIP RES RNC 1/16W 100K-J
R501	0790046R	CHIP RES RNC 1/16W 4.7K-J	R554	0790064R	CHIP RES RNC 1/16W 100K-J
R502	0790046R	CHIP RES RNC 1/16W 4.7K-J	R555	0790069R	CHIP RES RNC 1/16W 270K-J
R503	0790056R	CHIP RES RNC 1/16W 27K-J	R556	0790069R	CHIP RES RNC 1/16W 270K-J
R504	0790056R	CHIP RES RNC 1/16W 27K-J	R557	0790055R	CHIP RES RNC 1/16W 22K-J
R505	0790028R	CHIP RES RNC 1/16W 220-J	R558	0790055R	CHIP RES RNC 1/16W 22K-J
R506	0790028R	CHIP RES RNC 1/16W 220-J	R559	AT01217R	FLAME RETARDENT RES 1/4W 10-J
R507	0790051R	CHIP RES RNC 1/16W 10K-J	R560	AT01217R	FLAME RETARDENT RES 1/4W 10-J
R508	0790051R	CHIP RES RNC 1/16W 10K-J	R561	AT01056R	FLAME RETARDENT RES 1W 10-J
R509	0790073R	CHIP RES RNC 1/16W 470K-J	R562	AT01056R	FLAME RETARDENT RES 1W 10-J
R510	0790073R	CHIP RES RNC 1/16W 470K-J	R563	0196100R	CHIP RES 1/16W 20K-J
R511	0790057R	CHIP RES RNC 1/16W 33K-J	R564	0196100R	CHIP RES 1/16W 20K-J
R512	0790057R	CHIP RES RNC 1/16W 33K-J	R565	0790049R	CHIP RES RNC 1/16W 8.2K-J
R513	AT03701R	FUSE RES 1/4W 1.5K RF25SVTPA	R566	0790049R	CHIP RES RNC 1/16W 8.2K-J
R514	AT03701R	FUSE RES 1/4W 1.5K RF25SVTPA	R567	0196064R	CHIP RES 1/16W 750-J
R515	0790031R	CHIP RES RNC 1/16W 330-J	R568	0196064R	CHIP RES 1/16W 750-J
R516	0790031R	CHIP RES RNC 1/16W 330-J	R569	0790051R	CHIP RES RNC 1/16W 10K-J
R517	0790061Q	RES CAR FILM 1/16W 33KJ	R570	0790051R	CHIP RES RNC 1/16W 10K-J
R518	0790061Q	RES CAR FILM 1/16W 33KJ	R571	AT03801R	FLAME RETARDENT RES 470-J 2W
R519	0196073R	CHIP RES 1/16W 1.6KJ	R572	AT03801R	FLAME RETARDENT RES 470-J 2W
R520	0196073R	CHIP RES 1/16W 1.6KJ	R573	0700045Q	RES CAR FILM 1/16W 2.2KJ
R521	0790059R	CHIP RES RNC 1/16W 47K-J	R575	0790064R	CHIP RES RNC 1/16W 100K-J
R522	0790059R	CHIP RES RNC 1/16W 47K-J	R576	0790046R	CHIP RES RNC 1/16W 4.7K-J
R523	AT03702R	FUSE RES 1/4W 47J RF25SVTPA	R577	0790046R	CHIP RES RNC 1/16W 4.7K-J
R524	AT03702R	FUSE RES 1/4W 47J RF25SVTPA	R578	0790056R	CHIP RES RNC 1/16W 27K-J
R525	AT01129R	FLAME REATRANT RES 1W 5.6K	R579	0790056R	CHIP RES RNC 1/16W 27K-J
R526	AT01129R	FLAME RETARDANT RES 1W 5.6K	R580	0196096R	CHIP RES 1/16W 13K-J
R527	AT01129R	FLAME RETARDANT RES 1W 5.6K	R581	0790051R	CHP RES RNC 1/16W 10K-J
R528	AT01129R	FLAME RETARDANT RES 1W 5.6K	R582	0790051R	CHP RES RNC 1/16W 10K-J
R529	0187100Q	RES CAR FILM 1/16W 30KJ	R583	0700054Q	RES CAR 1/16W 10K
R530	0187100Q	RES CAR FILM 1/16W 30KJ	R584	0700056Q	RES CAR 1/16W 15K
R531	0700042Q	RES CAR 1/16W 1.2KJ	R585	0700056Q	RES CAR 1/16W 15K
R532	0700042Q	RES CAR 1/16W 1.2KJ	R586	0700051R	CHP RES RNC 1/16W 10K-J
R533	H113618	CAR RES 1/6W 1.3K J T	R587	0700051R	CHP RES RNC 1/16W 10K-J
R534	H113618	CAR RES 1/6W 1.3K J T	R588	0700051R	CHP RES RNC 1/16W 10K-J
R535	AT01208R	CAR RES FR 1/4W 4.7-J	R589	0700051R	CHP RES RNC 1/16W 10K-J
R536	AT03703R	FUSE RES 1/4W 4.7J RF25SVTPA	R590	0700051R	CHP RES RNC 1/16W 10K-J
R537	AT01191R	RES METAL FILM 1/4W 1.0J	R591	0700041R	CHP RES RNC 1/16W 1.8K-J
R538	AT01191R	RES METAL FILM 1/4W 1.0J	R592	0700041R	CHP RES RNC 1/16W 1.8K-J
R539	AT01257R	FLAME RETARDENT RES 1/4W 330-J	R601	0790028R	CHIP RES RNC 1/16W 220-J

PRODUCT SAFETY NOTE: Components marked with a  have special characteristics important to safety. Before replacing any of these components, please read carefully the Service Manual.


SYMBOL NO.	PART NO.	DESCRIPTION	SYMBOL NO.	PART NO.	DESCRIPTION
R602	0790028R	CHIP RES RNC 1/16W 220-J	R655	AT01056R	FLAME RETARDENT RES 1W 10-J
R603	0790051R	CHIP RES RNC 1/16W 10K-J	R656	AT01056R	FLAME RETARDENT RES 1W 10-J
R604	0790051R	CHIP RES RNC 1/16W 10K-J	R657	0196100R	CHIP RES 1/16W 20K-J
R605	0790057R	CHIP RES RNC 1/16W 33K-J	R658	0196100R	CHIP RES 1/16W 20K-J
R606	0790057R	CHIP RES RNC 1/16W 33K-J	R659	AT01208R	CAR RES FR 1/4W 4.7-J
R607	AT03701R	FUSE RES 1/4W 1.5K RF25SVTPA	R660	AT03703R	FUSE RES 1/4W 4.7J RF25SVTPA
R608	AT03701R	FUSE RES 1/4W 1.5K RF25SVTPA	R661	0790041R	CHIP RES RNC 1/16W 1.8K-J
R609	0790031R	CHIP RES RNC 1/16W 330-J	R662	0790041R	CHIP RES RNC 1/16W 1.8K-J
R610	0790031R	CHIP RES RNC 1/16W 330-J	R701	0790037R	CHIP RES RNC 1/16W 1K-J
R611	0790073R	CHIP RES RNC 1/16W 470K-J	R702	0196050R	CHIP RES 1/16W 200-J
R612	0790073R	CHIP RES RNC 1/16W 470K-J	R703	0196054R	CHIP RES 1/16W 300-J
R613	0700061Q	RES CAR FILM 1/16W 33KJ	R704	0196060R	CHIP RES 1/16W 510-J
R614	0700061Q	RES CAR FILM 1/16W 33KJ	R705	0790037R	CHIP RES RNC 1/16W 1K-J
R615	0196073R	CHIP RES 1/16W 1.6KJ	R706	0196079R	CHIP RES 1/16W 3K-J
R616	0196073R	CHIP RES 1/16W 1.6KJ	R707	0790037R	CHIP RES RNC 1/16W 1K-J
R617	0790059R	CHIP RES RNC 1/16W 47K-J	R708	0196050R	CHIP RES 1/16W 200-J
R618	0790059R	CHIP RES RNC 1/16W 47K-J	R709	0196054R	CHIP RES 1/16W 300-J
R619	AT03702R	FUSE RES 1/4W 47J RF25SVTPA	R710	0196060R	CHIP RES 1/16W 510-J
R620	AT03702R	FUSE RES 1/4W 47J RF25SVTPA	R711	0790037R	CHIP RES RNC 1/16W 1K-J
R621	H113618	CAR RES 1/6W 1.3K J T	R712	0196079R	CHIP RES /16W 3K-J
R622	H113618	CAR RES 1/6W 1.3K J T	R713	0790037R	CHIP RES RNC 1/16W 1K-J
R623	0700042Q	RES CAR 1/16W 1.2KJ	R714	0196050R	CHIP RES 1/16W 200-J
R624	0700042Q	RES CAR 1/16W 1.2KJ	R715	0196054R	CHIP RES 1/16W 300-J
R625	0187100Q	RES CAR FILM 1/16W 30KJ	R716	0196060R	CHIP RES 1/16W 510-J
R626	0187100Q	RES CAR FILM 1/16W 30KJ	R717	0790037R	CHIP RES RNC 1/16W 1K-J
R627	AT01129R	FLAME RETARDENT RES 1W 5.6K	R718	0196079R	CHIP RES /16W 3K-J
R628	AT01129R	FLAME RETARDENT RES 1W 5.6K	R719	0790037R	CHIP RES RNC 1/16W 1K-J
R629	AT01129R	FLAME RETARDENT RES 1W 5.6K	R720	0196050R	CHIP RES 1/16W 200-J
R630	AT01129R	FLAME RETARDENT RES 1W 5.6K	R721	0196054R	CHIP RES 1/16W 300-J
R631	AT01191R	RES METAL FILM 1/4W 1.0J	R722	0196060R	CHIP RES 1/16W 510-J
R632	AT01191R	RES METAL FILM 1/4W 1.0J	R723	0790037R	CHIP RES RNC 1/16W 1K-J
R633	AT01191R	RES METAL FILM 1/4W 1.0J	R724	0700021M	RES CAR FILM 1/16W 33J
R634	AT01191R	RES METAL FILM 1/4W 1.0J	R725	0790051R	CHIP RES RNC 1/16W 10K-J
R635	AT01257R	FLAME RETARDENT RES 1/4W 330-J	R726	0790035R	CHIP RES RNC 1/16W 680-J
R636	AT01257R	FLAME RETARDENT RES 1/4W 330-J	R727	0790035R	CHIP RES RNC 1/16W 680-J
R637	AT01012R	FLAME RETARDENT RES 1W 0.22-J	R728	0790059R	CHIP RES RNC 1/16W 47K-J
R638	AT01012R	FLAME RETARDENT RES 1W 0.22-J	R729	0790059R	CHIP RES RNC 1/16W 47K-J
R639	AT01012R	FLAME RETARDENT RES 1W 0.22-J	R730	0790032R	CHIP RES RNC 1/16W 390-J
R640	AT01012R	FLAME RETARDENT RES 1W 0.22-J	R731	0790024R	CHIP RES RNC 1/16W 100-J
R641	AT01012R	FLAME RETARDENT RES 1W 0.22-J	R732	0790024R	CHIP RES RNC 1/16W 100-J
R642	AT01012R	FLAME RETARDENT RES 1W 0.22-J	R733	0700054M	RES CAR FILM 1/16W 10KJ
R643	AT01012R	FLAME RETARDENT RES 1W 0.22-J	R734	0790059R	CHIP RES RNC 1/16W 47K-J
R644	AT01012R	FLAME RETARDENT RES 1W 0.22-J	R735	0790059R	CHIP RES RNC 1/16W 47K-J
R645	0196100R	CHIP RES 1/16W 20K-J	R736	0790059R	CHIP RES RNC 1/16W 47K-J
R646	0196100R	CHIP RES 1/16W 20K-J	R737	0700051R	CHIP RES RNC 1/16W 10K-J
R647	0790064R	CHIP RES RNC 1/16W 100K-J	R738	0196079R	CHIP RES 1/16W 3K-J
R648	0790064R	CHIP RES RNC 1/16W 100K-J	R739	0790032R	CHIP RES RNC 1/16W 390-J
R649	0790069R	CHIP RES RNC 1/16W 270K-J	R740	0790032R	CHIP RES RNC 1/16W 390-J
R650	0790069R	CHIP RES RNC 1/16W 270K-J	R751	0196039R	CHIP RES 1/16W 75J
R651	0790055R	CHIP RES RNC 1/16W 22K-J	R752	0196039R	CHIP RES 1/16W 75J
R652	0790055R	CHIP RES RNC 1/16W 22K-J	R753	0196039R	CHIP RES 1/16W 75J
R653	AT01217R	FLAME RETARDENT RES 1/4W 10-J	R754	0790051R	CHIP RES RNC 1/16W 10K-J
R654	AT01217R	FLAME RETARDENT RES 1/4W 10-J	R756	0790049R	CHIP RES RNC 1/16W 8.2K-J

PRODUCT SAFETY NOTE: Components marked with a  have special characteristics important to safety. Before replacing any of these components, please read carefully the Service Manual.

SYMBOL NO.	PART NO.	DESCRIPTION	SYMBOL NO.	PART NO.	DESCRIPTION
R757	0700034Q	RES CAR 1/16W 330J	R854	0187096Q	RES CAR 1/16W 20KJ [W, WUN]
R758	0790051R	CHIP RES RNC 1/16W 10K-J	R855	0790051R	CHIP RES RNC 1/16W 10K-J
R761	0196039R	CHIP RES 1/16W 75J	R856	0790051R	CHIP RES RNC 1/16W 10K-J
R764	0790051R	CHIP RES RNC 1/16W 10K-J	R857	0790042R	CHIP RES RNC 1/16W 2.2K-J
R765	0790055R	CHIP RES RNC 1/16W 22K-J	R858	0790042R	CHIP RES RNC 1/16W 2.2K-J
R766	0196039R	CHIP RES 1/16W 75J	R859	0790051R	CHIP RES RNC 1/16W 10K-J
R767	0790055R	CHIP RES RNC 1/16W 22K-J	R860	0790051R	CHIP RES RNC 1/16W 10K-J
R803	AT01012R	FLAME RETARDANT RES 1W 0.22-J	R861	0790051R	CHIP RES RNC 1/16W 10K-J
R804	AT01012R	FLAME RETARDANT RES 1W 0.22-J	R862	0790051R	CHIP RES RNC 1/16W 10K-J
R805	AT01012R	FLAME RETARDANT RES 1W 0.22-J	R863	0790051R	CHIP RES RNC 1/16W 10K-J
R806	AT01012R	FLAME RETARDANT RES 1W 0.22-J	R864	0790051R	CHIP RES RNC 1/16W 10K-J
R807	0700041Q	RES CAR 1/16W 1KJ	R865	0790051R	CHIP RES RNC 1/16W 10K-J
R808	AT03703R	FUSE RES 1/4W 4.7J RF25SVTPA	R866	0790051R	CHIP RES RNC 1/16W 10K-J
R809	AT03802R	FLAME RETARDANT RES 1.8K 2W	R867	0790051R	CHIP RES RNC 1/16W 10K-J
R810	0790074R	CHIP RES RNC 1/16 560K-J	R869	0187096Q	RES CAR 1/16W 20KJ [W, WUN]
R811	0790055R	CHIP RES RNC 1/16W 22K-J	R902	0790046R	CHIP RES RNC 1/16W 4.7K-J
R812	0790074R	CHIP RES RNC 1/16 560K-J	R903	0790051R	CHIP RES RNC 1/16W 10K-J
R813	0196081R	CHIP RES 1/16W 3.6K-J	R951	0790001R	CHIP RES 1/16W 0-J
R814	0790025R	CHIP RES RNC 1/16W 120J	R952	0790001R	CHIP RES 1/16W 0-J
R815	0700046Q	RES CAR FILM 1/16W 2.7KJ	R955	0790024R	CHIP RES RNC 1/16W 100-J
R816	0790072R	CHIP RES RNC 1/16W 390K-J	R956	0790024R	CHIP RES RNC 1/16W 100-J
R817	0790019R	CHIP RES RNC 1/16W 47-J	R957	0790051R	CHIP RES RNC 1/16W 10K-J
R818	0790046R	CHIP RES RNC 1/16W 4.7K-J	R958	0196102R	CHIP RES 1/16W 24K-J
R819	0700019R	CHIP RES RNC 1/16W 47-J	R959	0790024R	CHIP RES RNC 1/16W 100-J
R820	0790037R	CHIP RES RNC 1/16W 1K-J	R960	0790051R	CHIP RES RNC 1/16W 10K-J
R821	0790006R	CHIP RES RNC 1/16W 4.7-J	R961	0790051R	CHIP RES RNC 1/16W 10K-J
R822	0790051R	CHIP RES RNC 1/16W 10K-J	R962	0196102R	CHIP RES 1/16W 24K-J
R823	0790059R	CHIP RES RNC 1/16W 47K-J	R963	0196102R	CHIP RES 1/16W 24K-J
R824	0790057R	CHIP RES RNC 1/16W 33K-J	R964	0790024R	CHIP RES RNC 1/16W 100-J
R825	0700054M	RES CAR FILM 1/16W 10KJ	R965	0790024R	CHIP RES RNC 1/16W 100-J
R826	0790051R	CHIP RES RNC 1/16W 10K-J	R966	0790001R	CHIP RES 1/16W 0-J
R827	0790068R	CHIP RES RNC 1/16W 220K-J	R968	0790024R	CHIP RES RNC 1/16W 100-J
R828	0790051R	CHIP RES RNC 1/16W 10K-J	ICS:		
R829	0790046R	CHIP RES RNC 1/16W 4.7K-J	IC1	2300412W	IC LA1265S
R830	0790046R	CHIP RES RNC 1/16W 4.7K-J	IC2	CP03061	IC LA3401
R831	0790037R	CHIP RES RNC 1/16W 1K-J	IC3	CK09831R	IC LC72131MD-TRM
R832	0790051R	CHIP RES RNC 1/16W 10K-J	IC91	CK04451	IC SAA6579T/V1 [E, EBS]
R833	0790037R	CHIP RES RNC 1/16W 1K-J	IC92	CK04471R	IC LC7074M [E, EBS]
R834	0790037R	CHIP RES RNC 1/16W 1K-J	IC101	CK02301T	IC NJM2068M
R835	0790046R	CHIP RES RNC 1/16W 4.7K-J	IC102	CK32031	IC TC9273F-007
R836	0790051R	CHIP RES RNC 1/16W 10K-J	IC151	2388306R	IC BA4558F-E2
R837	0196100R	CHIP RES 1/16W 20K-J	IC152	2388306R	IC BA4558F-E2
R840	0700044Q	RES CAR 1/16W 1.8KJ	IC153	2388306R	IC BA4558F-E2
R841	0790042R	CHIP RES RNC 1/16W 2.2K-J	IC154	2388306R	IC BA4558F-E2
R842	0790059R	CHIP RES RNC 1/16W 47K-J	IC201	DT00133	IC GP1F37R FIBER.O.REC
R844	0790046R	CHIP RES RNC 1/16W 4.7K-J	IC202	CK07781R	IC TC74HCU04AF (TR1)
R845	0790051R	CHIP RES RNC 1/16W 10K-J	IC204	CK32011R	IC TC74HC151AF
R847	0790046R	CHIP RES RNC 1/16W 4.7K-J	IC221	CK32121	IC ZR38601PQC
R848	0790051R	CHIP RES RNC 1/16W 10K-J	IC222	CP04232	IC BA033T
R850	0790046R	CHIP RES RNC 1/16W 4.7K-J	IC223	CK07782R	IC TC74HCT04AF (TP1)
R851	0790051R	CHIP RES RNC 1/16W 10K-J	IC224	CK07782R	IC TC74HCT04AF (TP1)
R852	0790051R	CHIP RES RNC 1/16W 10K-J	IC240	CK32042	IC AK4527
R853	0700054Q	RES CAR 1/16W 10K [W, WUN]			

PRODUCT SAFETY NOTE: Components marked with a  have special characteristics important to safety. Before replacing any of these components, please read carefully the Service Manual.

SYMBOL NO.	PART NO.	DESCRIPTION	SYMBOL NO.	PART NO.	DESCRIPTION
IC241	CK02301T	IC NJM2068M	TR403	CF01201R	TRS 2SC1841-T (E/F)
IC242	CK02301T	IC NJM2068M	TR404	2318191	TRS 2SC1815-GR (T)
IC243	CK01451R	IC BA15218F-E2	TR405	2328632	TRS 2SD667AC-Q
IC244	CK02301T	IC NJM2068M	TR406	2328622T	TRS 2SB647AC TZ-Q
IC301	CP06421	IC LC7536	TR407	CF02711	TRS KTD1047
IC302	CP06421	IC LC7536	TR408	CF02701	TRS KTB817
IC303	CP06421	IC LC7536	TR409	CF01201R	TRS 2SC1841-T (E/F)
IC304	CK02301T	IC NJM2068M	TR410	2317712T	TRS 2SC2878-B (TE2, M)
IC305	CK02301T	IC NJM2068M	TR501	CF01181R	TRS 2SA970-BL (TPE2)
IC306	CK02301T	IC NJM2068M	TR502	CF01181R	TRS 2SA970-BL (TPE2)
IC307	CK02301T	IC NJM2068M	TR503	CF01181R	TRS 2SA970-BL (TPE2)
IC308	CK02301T	IC NJM2068M	TR504	CF01181R	TRS 2SA970-BL (TPE2)
IC309	CK02301T	IC NJM2068M	TR505	2318191	TRS 2SC1815-GR (T)
IC451	CK01451R	IC BA15218F-E2	TR506	2318191	TRS 2SC1815-GR (T)
IC701	CK32051	IC LC75721E	TR507	CF01201R	TRS 2SC1841-T (E/F)
IC702	CW00202	I/R RECEIVER MODULE PIC-28043	TR508	CF01201R	TRS 2SC1841-T (E/F)
IC751	CK01812R	IC BU4066BCF-E2	TR509	2328632	TRS 2SD667AC-Q
IC752	CK15081R	IC NJM2267M-TEIR	TR510	2328632	TRS 2SD667AC-Q
IC801	CK34282	IC TMP87CP71F	TR511	2328622T	TRS 2SB647AC TZ-Q
IC802	CP02411	IC KIA7805API	TR512	2328622T	TRS 2SB647AC TZ-Q
IC803	CP02412	IC KIA7806API	TR513	CF02711	TRS KTD1047
IC804	CP02416	IC KIA7812API	TR514	CF02711	TRS KTD1047
IC805	CP05542	IC KIA7912PI	TR515	CF02701	TRS KTB817
IC951	CK32021R	IC TC9164AF (ELP)	TR516	CF02701	TRS KTB817
ICP901	FN00257M	IC PROTECTOR 1A	TR517	CF01201R	TRS 2SC1841-T (E/F)
ICP902	FN00257M	IC PROTECTOR 1A	TR518	CF01201R	TRS 2SC1841-T (E/F)
TRANSISTORS:					
TR1	CF01121R	TRS 2SK161-Y (TPE4) [E, EBS]	TR519	2317712T	TRS 2SC2878-B (TE2, M)
TR2	CF02321R	TRANSISTOR KTC 3197	TR520	2317712T	TRS 2SC2878-B (TE2, M)
TR3	2326862R	TRS DTA114ES TP	TR521	CA00291R	TRS DTA114EKT146
TR4	2326862R	TRS DTA114ES TP	TR523	CF01191R	TRS 2SA988-T (E/F)
TR7	CF01331R	TRS DTC323TSTP	TR525	CA00291R	TRS DTA114EKT146
TR8	CF01331R	TRS DTC323TSTP	TR526	2317712T	TRS 2SC2878-B (TE2, M)
TR9	CF01211R	TRS DTC144TSATP	TR527	2317712T	TRS 2SC2878-B (TE2, M)
TR10	2314361R	TRS DTA114TSATP	TR528	2317712T	TRS 2SC2878-B (TE2, M)
TR241	2317712T	TRS 2SC2878-B (TE2, M)	TR601	CF01181R	TRS 2SA970-BL (TPE2)
TR242	2317712T	TRS 2SC2878-B (TE2, M)	TR602	CF01181R	TRS 2SA970-BL (TPE2)
TR243	2317712T	TRS 2SC2878-B (TE2, M)	TR603	CF01181R	TRS 2SA970-BL (TPE2)
TR244	2317712T	TRS 2SC2878-B (TE2, M)	TR604	CF01181R	TRS 2SA970-BL (TPE2)
TR245	2317712T	TRS 2SC2878-B (TE2, M)	TR605	CF01201R	TRS 2SC1841-T (E/F)
TR246	2317712T	TRS 2SC2878-B (TE2, M)	TR606	CF01201R	TRS 2SC1841-T (E/F)
TR247	CA00291R	TRS DTA114EKT146	TR607	2318191	TRS 2SC1815-GR (T)
TR248	2316691R	TRS DTC144EKAT	TR608	2318191	TRS 2SC1815-GR (T)
TR249	CA00292R	TRS DTA144EKT146	TR609	2328632	TRS 2SD667AC-Q
TR250	2316691R	TRS DTC144EKAT	TR610	2328632	TRS 2SD667AC-Q
TR251	CA00292R	TRS DTA144EKT146	TR611	2328622T	TRS 2SB647AC TZ-Q
TR252	2316691R	TRS DTC144EKAT	TR612	2328622T	TRS 2SB647AC TZ-Q
TR253	2316691R	TRS DTC144EKAT	TR613	CF02711	TRS KTD1047
TR254	2324085T	TRS 2SK105 A(2) TP	TR614	CF02711	TRS KTD1047
TR255	2324085T	TRS 2SK105 A(2) TP	TR615	CF02701	TRS KTB817
TR401	CF01181R	TRS 2SA970-BL (TPE2)	TR616	CF02701	TRS KTB817
TR402	CF01181R	TRS 2SA970-BL (TPE2)	TR617	CF01201R	TRS 2SC1841-T (E/F)
			TR618	CF01201R	TRS 2SC1841-T (E/F)
			TR701	2316361R	TRS DTC114EKT146

PRODUCT SAFETY NOTE: Components marked with a  have special characteristics important to safety. Before replacing any of these components, please read carefully the Service Manual.


SYMBOL NO.	PART NO.	DESCRIPTION	SYMBOL NO.	PART NO.	DESCRIPTION
TR702	2316361R	TRS DTC114EKT146	D504	2398921T	DIODE ISS133T-72
TR703	2316361R	TRS DTC114EKT146	D505	2398921T	DIODE ISS133T-72
TR704	CA00292R	TRS DTA144EKT146	D506	2398921T	DIODE ISS133T-72
TR705	2316691R	TRS DTC144EKAT	D507	2339032Q	ZENER DIODE HZS6C2LTD
TR706	CA00292R	TRS DTA144EKT146	D508	2339032Q	ZENER DIODE HZS6C2LTD
TR707	2316691R	TRS DTC144EKAT	D509	2339032Q	ZENER DIODE HZS6C2LTD
TR708	CA00292R	TRS DTA144EKT146	D510	2398921T	DIODE ISS133T-72
TR709	2316691R	TRS DTC144EKAT	D511	2398921T	DIODE ISS133T-72
TR710	CA00292R	TRS DTA144EKT146	D512	2398921T	DIODE ISS133T-72
TR711	2316691R	TRS DTC144EKAT	D513	2398921T	DIODE ISS133T-72
TR801	2328625T	TRS 2SB647C TZ	D514	2398921T	DIODE ISS133T-72
TR802	CF01191R	TRS 2SA988-T (E/F)	D515	2398921T	DIODE ISS133T-72
TR803	CF01191R	TRS 2SA988-T (E/F)	D516	2398921T	DIODE ISS133T-72
TR804	2325691R	TRS CHIP 2SC2412KT146R	D601	2398921T	DIODE ISS133T-72
TR805	CA00691R	TRS 2SA1037AKT146R	D602	2398921T	DIODE ISS133T-72
TR806	2325691R	TRS CHIP 2SC2412KT146R	D701	2398921T	DIODE ISS133T-72
TR807	2325691R	TRS CHIP 2SC2412KT146R	D702	2398921T	DIODE ISS133T-72
TR808	2325691R	TRS CHIP 2SC2412KT146R	D703	2398921T	DIODE ISS133T-72
TR809	2325691R	TRS CHIP 2SC2412KT146R	D704	2398921T	DIODE ISS133T-72
TR810	CA00691R	TRS 2SA1037AKT146R	D751	2398921T	DIODE ISS133T-72
TR811	2325691R	TRS CHIP 2SC2412KT146R	D752	2398921T	DIODE ISS133T-72
TR812	CA00301R	TRS DTC143EKAT146	D805	2337461W	S4VB20 (FORMED)
TR813	2325691R	TRS CHIP 2SC2412KT146R	D806	2337461W	S4VB20 (FORMED)
TR814	CA00291R	TRS DTA114EKT146	D807	2398921T	DIODE ISS133T-72
TR815	2325691R	TRS CHIP 2SC2412KT146R	D809	2398921T	DIODE ISS133T-72
TR816	2325691R	TRS CHIP 2SC2412KT146R	D810	2398921T	DIODE ISS133T-72
TR817	2325691R	TRS CHIP 2SC2412KT146R	D811	CH02051M	DIODE 1N4002 TAPE
TR818	2325691R	TRS CHIP 2SC2412KT146R	D812	2398921T	DIODE ISS133T-72
TR819	2325691R	TRS CHIP 2SC2412KT146R	D813	CH02051M	DIODE 1N4002 TAPE
TR901	2325691R	TRS CHIP 2SC2412KT146R	D814	CH02051M	DIODE 1N4002 TAPE
DIODES :			D815	CH02051M	DIODE 1N4002 TAPE
D1	2398921T	DIODE ISS133T-72	D816	CH02051M	DIODE 1N4002 TAPE
D2	2398921T	DIODE ISS133T-72	D817	2348141Q	ZENER DIODE MTZJ7 5A
D3	2398921T	DIODE ISS133T-72	D818	2398921T	DIODE ISS133T-72
D4	2398921T	DIODE ISS133T-72	D819	2398921T	DIODE ISS133T-72
D5	CH02051M	DIODE 1N4002 TAPE	D820	2398921T	DIODE ISS133T-72
D91	2398921T	DIODE ISS133T-72 [E, EBS]	D821	CH02051M	DIODE 1N4002 TAPE
D151	2348102M	DIODE MTZJ5-1B	D822	CH02051M	DIODE 1N4002 TAPE
D201	2398921T	DIODE ISS133T-72	D901	CH02051M	DIODE 1N4002 TAPE
D202	CC00003R	DIODE CHIP ISS355TE-17 (T)	D902	CH02051M	DIODE 1N4002 TAPE
D203	CC00003R	DIODE CHIP ISS355TE-17 (T)	D903	CH02051M	DIODE 1N4002 TAPE
D221	2398921T	DIODE ISS133T-72	D904	CH02051M	DIODE 1N4002 TAPE
D241	2398921T	DIODE ISS133T-72	D905	CH02051M	DIODE 1N4002 TAPE
D242	2398921T	DIODE ISS133T-72	D906	CH02051M	DIODE 1N4002 TAPE
D243	2398921T	DIODE ISS133T-72	D907	2398921T	DIODE ISS133T-72
D245	2398921T	DIODE ISS133T-72	ZD601	2339032Q	ZENER DIODE HZS6C2LTD
D401	2398921T	DIODE ISS133T-72	ZD703	2348161M	DIODE MTZJ9-1A
D402	2398921T	DIODE ISS133T-72	ZD704	2345111M	DIODE MTZJ5-6A
D403	2398921T	DIODE ISS133T-72	ZD752	2339032Q	ZENER DIODE HZS6C2LTD
D501	2398921T	DIODE ISS133T-72	ZD801	2339232Q	DIODE HZS30-2L
D502	2398921T	DIODE ISS133T-72	ZD802	2348051Q	DIODE MTZJT-773.3A
D503	2398921T	DIODE ISS133T-72	LED701	CH01501	LED SLR-56VC3F
			LED702	CH01501	LED SLR-56VC3F


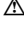

PRODUCT SAFETY NOTE: Components marked with a Δ have special characteristics important to safety. Before replacing any of these components, please read carefully the Service Manual.

SYMBOL NO.	PART NO.	DESCRIPTION	SYMBOL NO.	PART NO.	DESCRIPTION
LED703	CH01501	LED SLR-56VC3F	S702	FE00411R	TACT SWITCH (SKQNABD010)
TRANSFORMERS :			S703	FE00411R	TACT SWITCH (SKQNABD010)
Δ PT1	BT01352	POWER TRANSFORMER [E, EBS]	S704	FE00411R	TACT SWITCH (SKQNABD010)
Δ PT1	BT01353	POWER TRANSFORMER [W, WUN]	S705	FE00411R	TACT SWITCH (SKQNABD010)
Δ PT902	BT00532	SUB TRANSFORMER [E, EBS]	S706	FE00411R	TACT SWITCH (SKQNABD010)
Δ PT902	BT00533	SUB TRANSFORMER [W, WUN]	S707	FE00411R	TACT SWITCH (SKQNABD010)
FUSES :			S708	FE00411R	TACT SWITCH (SKQNABD010)
Δ F902	FN00225	FUSE T3.15A [W, WUN]	S709	FE00411R	TACT SWITCH (SKQNABD010)
Δ F902	FN00228	FUSE T1.6A 250V [E, EBS]	S710	FE00411R	TACT SWITCH (SKQNABD010)
Δ F903	FN00228	FUSE T1.6A [W, WUN]	S711	FE00411R	TACT SWITCH (SKQNABD010)
Δ F904	FN00224	FUSE T1A [W, WUN]	S712	FE00411R	TACT SWITCH (SKQNABD010)
Δ F904	FN00224	GLASS FUSE 5X20 MM T1A/250 V [E, EBS]	S713	FE00411R	TACT SWITCH (SKQNABD010)
Δ F905	FN00224	FUSE T1A [W, WUN]	S714	FE00411R	TACT SWITCH (SKQNABD010)
Δ F905	FN00224	GLASS FUSE 5X20 MM T1A/250 V [E, EBS]	S715	FE00411R	TACT SWITCH (SKQNABD010)
COILS :			S716	FE00411R	TACT SWITCH (SKQNABD010)
FB201	BZ01421	FERRITE BEAD INDUCTOR	S717	FE00411R	TACT SWITCH (SKQNABD010)
FB221	BZ01421	FERRITE BEAD INDUCTOR	S718	FE00411R	TACT SWITCH (SKQNABD010)
FB222	BM00288R	FERRITE CORE CHIP 470-M	S719	FE00411R	TACT SWITCH (SKQNABD010)
FB223	BM00288R	FERRITE CORE CHIP 470-M	S720	FE00411R	TACT SWITCH (SKQNABD010)
FB224	BM00288R	FERRITE CORE CHIP 470-M	S721	FE00411R	TACT SWITCH (SKQNABD010)
FB225	BM00288R	FERRITE CORE CHIP 470-M	S722	FE00411R	TACT SWITCH (SKQNABD010)
FB226	BM00288R	FERRITE CORE CHIP 470-M	S723	FE00411R	TACT SWITCH (SKQNABD010)
FB227	BM00288R	FERRITE CORE CHIP 470-M	S725	FE00411R	TACT SWITCH (SKQNABD010)
FB228	BM00288R	FERRITE CORE CHIP 470-M	S726	FE00411R	TACT SWITCH (SKQNABD010)
FB229	BM00288R	FERRITE CORE CHIP 470-M	Δ S901	FE00361	POWER SWITCH SY16-22-1 (U99S1)T
FB230	BZ01421	FERRITE BEAD INDUCTOR	Δ S902	FG00011	VOLTAGE SELECTOR SWITCH [W, WUN]
FB231	BZ01421	FERRITE BEAD INDUCTOR	Δ S903	FG00011	VOLTAGE SELECTOR SWITCH [W, WUN]
FB232	BZ01421	FERRITE BEAD INDUCTOR	S904	FE00411R	TACT SWITCH (SKQNABD010)
FB233	BZ01423R	FERRITE BEAD BL02RN2-R62	MISCELLANEOUS :		
FB701	BZ01421	FERRITE BEAD INDUCTOR	CF1	BN00101	CER. FILTER SFT10-7MS2-A [E, EBS]
FB801	BZ01423R	FERRITE BEAD BL02RN2-R62	CF1	2134992	CER. FILTER SFE10-7MA8-A [W, WUN]
L201	2122938R	AXIAL COIL LAL03VB4R7K	CF2	BN00101	CER. FILTER SFT10-7MS2-A [E, EBS]
L202	2122934R	AXIAL COIL LAL03VB2R2K	CF2	BN00111	CER. FILTER SFE10-7MS2G-A [W, WUN]
L240	2122248M	COIL LA 470K	CF3	BP00501	CER. FILTER BFU450C4N
L401	2227363	TRAP COIL 1 1UH	CF4	BP00491	CERAMIC FILTER CMU2-456A16
L501	2227363	TRAP COIL 1 1UH	CN3	ED01425	TXL 3P CONN
L502	2227363	TRAP COIL 1 1UH	CN12	EF06919	KR-DA CONN 4P L=500MM
L601	2227363	TRAP COIL 1 1UH	CN13	EF06939	KR-DA CONN 9P L=100MM
L602	2227363	TRAP COIL 1 1UH	CN14	EF06959	KR-DA CONN 5P L=250MM
LF1	2136313	LPF FB-7SG [E, EBS]	CN15	EF06879	KR-DA CONN 3P L=250MM
LF2	2136314	LPF FB-7SG [E, EBS]	CN137	EK01074	1P CONNECTOR
LF3	2136314	LPF FB-7SG [E, EBS]	CN1A	ED00321	MX BOTTOM/E CONN (52492-0720)
T3	BJ00251	AM IF COIL 950582285B	CN1B	ED00772	MX CONN 7P (52045-0745)
T4	BS00071	FM DISCR1. COIL	CN2A	ED00322	MX BOTTOM/E CONN (52492-1720)
T38	0544408	LUG TERMINAL	CN2B	ED0783	1.25MM FFC CONN (52045-1745)
T39	0544408	LUG TERMINAL	CN4A	EY00073	B-B PIN HEADER IMSA-9110B-05
SWITCHES :			CN4B	EY00093	B-B SOCKET IMSA-9110S-05L
S1	2622521	SLIDE SWITCH [W, WUN]	CN5A	EY00079	B-B PIN HEADER IMSA-9110B-11L
S501	FE00181	SPK SWITCH SPUN24-11	CN5B	EY00099	B-B SOCKET IMSA-9110S-11L
			CN6A	EY00085	B/B PIN HEADER IMSA9110B-16
			CN6B	EY00105	B/B SOCKET IMSA9110S-16L
			CN7A	EY00071	B-B PIN HEADER IMSA-9110B-03

PRODUCT SAFETY NOTE: Components marked with a Δ have special characteristics important to safety. Before replacing any of these components, please read carefully the Service Manual.

SYMBOL NO.	PART NO.	DESCRIPTION	SYMBOL NO.	PART NO.	DESCRIPTION
CN7B	EY00091	B-B SOCKET IMSA-9110S-03L	VR452	AY00681	VAR RES 10K XVB141
CN8A	EY00089	B-B PIN HEADER IMSA-9110B-20	VR453	AY00682	VAR RES 30K XVB141
CN8B	EY00109	B-B SOCKET IMSA-9110S-20L	Δ W1	EK00293	1P BOARD-IN CONN L=100MM (WHT) [W, WUN]
CN9A	EY00084	B-B PIN HEADER IMSA-9110B-15	Δ W2	EK00487	1P BOARD-IN CONN L=130MM (BRN) [W, WUN]
CN9B	EY00104	B-B SOCKET IMSA-9110S-15L	Δ W3	EK00482	1P BOARD-IN CONN L=100MM (GRY) [W, WUN]
CN10A	EY00075	B-P PIN HEADER 1MSA9110B-09	Δ W4	EK00486	1P BOARD IN CONN L=150MM GRY
CN10B	EY00095	B-B SOCKET 1MSA9110S-07L	Δ W5	EK00299	1P BOARD IN CONN L=150MM ORG
CN11A	EY00077	B-B PIN HEADER 1MSA91103-09	Δ W6	EK00307	1P BOARD-IN CONN L=175MM (ORG) [W, WUN]
CN11B	EY00097	B-B SOCKET 1MSA9110S-09L	Δ W7	EK00298	1P BOARD-IN CONN L=150MM (RED) [W, WUN]
E003	2729252R	FUSE HOLDER (TAPING)	Δ W8	EK00301	1P BOARD-IN CONN L=170MM (BLU) [W, WUN]
E004	2729252R	FUSE HOLDER (TAPING)	Δ W9	EK00302	1P BOARD-IN CONN L=170MM (GRY) [W, WUN]
E005	2729252R	FUSE HOLDER [W, WUN]	Δ W10	EK00303	1P BOARD-IN CONN L=170MM (WHT) [W, WUN]
E006	2729252R	FUSE HOLDER [W, WUN]	X801	BP00141	OSC CST8.00MTW
E007	2729252R	FUSE HOLDER (TAPING)	XT1	2170132R	CRYSTAL 7.200MHz TAPING
E008	2729252R	FUSE HOLDER (TAPING)	XT91	2170133R	CRYSTAL 4.332MHz TAPING [E, EBS]
E009	2729252R	FUSE HOLDER (TAPING)	XT92	2792071R	CER. OSC. SCT4. 00MGW-TF01 [E, EBS]
E010	2729252R	FUSE HOLDER (TAPING)	XT201	BP01071	CRYSTAL 12 288MHz AT-51
FL701	DD00421	FL TUBE	CABINET CHASSIS :		
JK1	EU00011	ANTENNA TERMINAL BOARD			
JK101	ER00223	6P US PIN JACK HSP-246V1-01	1	8679606	SCREW 4X6 DT BIND B
JK102	ER00222	8P US PIN JACK HSP-248V1-01	2	8699410	SCREW 3X10 BT BIND B
JK103	ER00228	2P US PIN JACK	3	8699410	SCREW 3X10 BT BIND B
JK201	ER00244	1P US PIN JACK (ORG) YKC213486	4	8699414	SCREW 3X14 BT BIND B
JK501	2695013	HEAD PHONE JACK 6.4 HTJ-064-07	5	8699408	SCREW 3X8 BT BIND B
JK502	ER00611	6P SCREW TERMINAL	6	8679606	SCREW 4X6 DT BIND B
JK503	EU00003	4P SP TERMINAL YKD21-0265	7	8691410	SCREW 3X10 BT BIND
JK504	ER00224	4P US PIN JACK HSP-244V1-01	8	8699414	SCREW 3X14 BT BIND B
JK601	EU00086	S TERMINAL CJ-9026-06-4203	9	8691410	SCREW 3X10 BT BIND
JK751	ER00234	3P US PIN JACK (YEL) YKC213508	10	8699408	SCREW 3X8 BT BIND B
JK752	ER00227	2P US PIN JACK (YEL) YKC213970	11	8699410	SCREW 3X10 BT BIND B
JK951	ER00223	6P US PIN JACK HSP-246V1-01	12	8699410	SCREW 3X10 BT BIND B
LF101	BJ00211	LOW PASS FILTER [E, EBS]	13	8691410	SCREW 3X10 BT BIND
LF102	BJ00211	LOW PASS FILTER [E, EBS]	14	8691410	SCREW 3X10 BT BIND
PG3	2658692W	TXL-P03P-M1 (RIGHT ANGLE)	15	8679406	SCREW 3X6 DT BIND B
PG7	2658692W	TXL-P03P-M1 (RIGHT ANGLE)	16	8679406	SCREW 3X6 DT BIND B
PG12	2959053	PIN POST (A2001WV2-4P)	17	8679408	SCREW 3X8 DT BIND B
PG13	2959058	PIN POST (A2001WV2-9P)	18	8691410	SCREW 3X10 BT BIND
PG14	2959054	PIN POST (A2001WV2-5P)	19	PC04294	TUNER BUTTON [E, EBS, WUN]
PG15	2959052	PIN POST (A2001WV2-3P)		PC04293	TUNER BUTTON [W]
Δ PG16	2674284	3.96MM PIN POST (B2P4-VH-B)	20	PC04272	MASTER VOLUME KNOB [E, EBS, WUN]
RE724	FH00191	ENCODER		PC04273	MASTER VOLUME KNOB [W]
RL601	2641322	SPEAKER RELAY ALA2F24	21	PC04282	BASS/TREBLE KNOB [E, EBS, WUN]
RY401	2641322	SPEAKER RELAY ALA2F24		PC04283	BASS/TREBLE KNOB [W]
RY501	2641322	SPEAKER RELAY ALA2F24	22	QA00482	BOTTOM CHASSIS
Δ RY901	2640576	POWER RELAY SDT-SS-112DM	23	ML00251	MINI PWB POST
T137	2688366W	1 MARU PIN	24	ML00261	PWB SUPPORT L
T601	5715231	1 SQ PIN	25	NX03961	PHONO EARTH TERMINAL
T602	5715231	1 SQ PIN	26	QJ00213	FOOT [E, EBS, WUN]
T603	5715231	1 SQ PIN		QJ00214	FOOT [W]
T604	5715231	1 SQ PIN	27	MS00211	FELT
TH601	CJ00151	THERMISTOR PTH9M04BB222TS2F333	28	QA02071	TOP COVER [E, EBS, WUN]
TU1	HH00031	TUNER PACK [W, WUN]		QA00499	TOP COVER [W]
TU1	2428651	TUNER PACK [E, EBS]	29	4692076	CUSHION

PRODUCT SAFETY NOTE: Components marked with a  have special characteristics important to safety. Before replacing any of these components, please read carefully the Service Manual.

SYMBOL NO.	PART NO.	DESCRIPTION	SYMBOL NO.	PART NO.	DESCRIPTION
30	MN01593	TOP COVER SHEET [E, EBS, WUN]			
	MN01592	TOP COVER SHEET [W]			
31	NJ02063	SHEET HOLDER [E, EBS, WUN]			
	NJ02062	SHEET HOLDER [W]			
32	MK00246	NUT M9X0.75			
33	MK00321	NUT M12X1			
34	NA45401	SHIELD PLATE TUE 2			
 35	EV00586	AC CORD W/BUSH L=2M [E, EBS, W, WUN]			
36	PC04304	SURROUND BUTTON [E, EBS, WUN]			
	PC04303	SURROUND BUTTON [W]			
37	PC04312	SP BUTTON [E, EBS, WUN]			
	PC04313	SP BUTTON [W]			
38	2759342	LOOP ANTENNA 8T [E, EBS, W, WUN]			
39	HL01492	REMOTE CONTROLLER RB-DD1S			
 40	EY00281	EDISON PLUG ADAPTER [W, WUN]			
41	PH08235	FRONT PANEL [E, EBS]			
	PH08239	FRONT PANEL [W]			
	PH08237	FRONT PANEL [WUN]			
42	PH08244	INNER PANEL [E, EBS, WUN]			
	PH08245	INNER PANEL [W]			
43	PH08311	CLEAR PANEL			
44	PC01784	POWER BUTTON [E, EBS, WUN]			
	PC01785	POWER BUTTON [W]			
45	QA01802	REAR PLATE [E, EBS]			
	QA01803	REAR PLATE [W, WUN]			
46	PC04462	FUNCTION BUTTON [E, EBS, WUN]			
	PC04463	FUNCTION BUTTON [W]			
47	EF02133	FM ANT.			
48	8699308	SCREW 2.6X8 BT BIND B [W, WUN]			
49	8679406	SCREW 3X6 DT BIND B			
 50	EP00062	EURO - CONVERTER PLUG [EBS ONLY]			

MEMO

HITACHI

 Hitachi, Ltd. Tokyo, Japan

International Sales Division
THE HITACHI ATAGO BUILDING
No. 15 – 12 Nishi Shinbashi, 2 – Chome,
Minalo – Ku, Tokyo 105-8430, Japan.
Tel: 03 35022111

HITACHI HOME ELECTRONICS
(EUROPE) LTD.
Dukes Meadow
Millboard Road
Bourne End
Buckinghamshire
SH8 5XF
UNITED KINGDOM
Tel: 01628 643000
Fax: 01628 643400

Email: consumer-service@hitachi-eu.com

HITACHI HOME ELECTRONICS
(HELLAS) S. A.
Faliroy 91
11741
Athens
GREECE
Tel: 01-9242620
Fax: 01-9240789

Email: dimitra.vlachou@hitachi-eu.com

HITACHI SALES EUROPA GmbH.
Am Seeslerns 18
40547 Dusseldorf
GERMANY
Tel: 02 11 -5 29 15 - 0
Fax: 02 11 - 5 29 15 - 190

Email: HSE-DUS.Service@hitachi-eu.com

HITACHI SALES IBERICA, S.A.
Gran Via Carlos III,, 101 - 1
08028 Barcelona
SPAIN
Tel: 093 409 2550
Fax: 093 491 3513

Email: rplan@hitachi-eu.com

HITACHI SALES ITALIANA SPA
Via Gulli n.39
20147 MILAN
ITALY
Tel: 02 38073415
Fax: 02 4878638 1/2

Email: customerservice.italy@hitachi-eu.com

HITACHI HOME ELECTRONICS
(NORDIC) AB
Box 77
S-164 94 KISTA
SWEEDEN
Tel: 08 562 7 11 00
Fax: 08 562 7 11 11

Email: csgswe@hitachi-eu.com

HITACHI FRANCE S.A.
BP 45, 69671 Byon Cedex
FRANCE
Tel: 04 -72.14.20.70
Fax: 04 -72.14.29.99

Email: conso-hitachi@compuserve.com

HITACHI HOME ELECTRONICS
NORWAY
Brugala 14
N-0186
OSLO
NORWAY
Tel: 02205 9060
Fax: 02205 9061

Email: csgnor@hitachi-eu.com

ITEM N.V./S.A. (INTERNATIONAL TRADE FOR
ELECTRONIC MATERIAL & MEDIA N.V./S.A.)

UCO Tower – Bellevue,
17 – B – 9050 GENT
BELGIUM (for BENELUX)
Tel: 02 9 230 4801
Fax: 02 9 230 9680

Email: hitachi.item@skynet.be