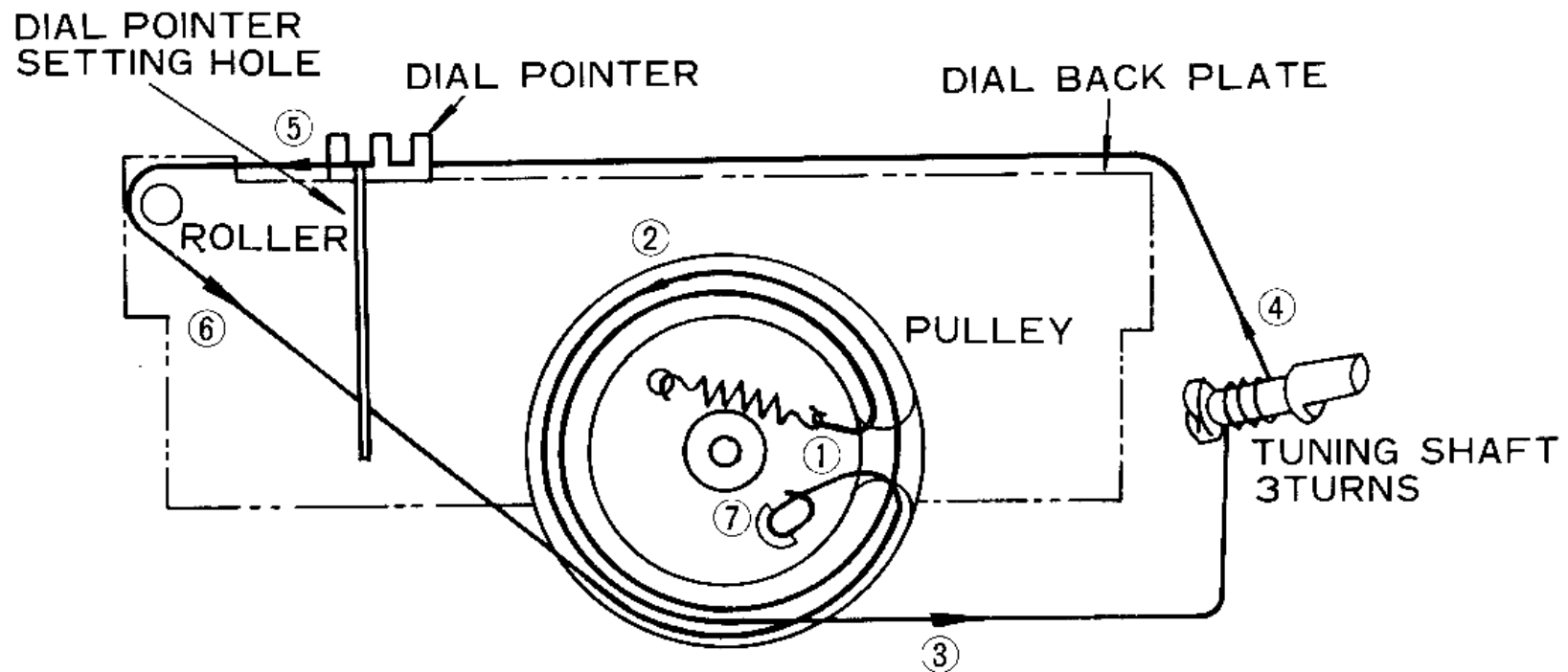




## DIAL CORD RESTRINGING

Referring to Fig. 8, loop the dial cord in the direction of arrows.

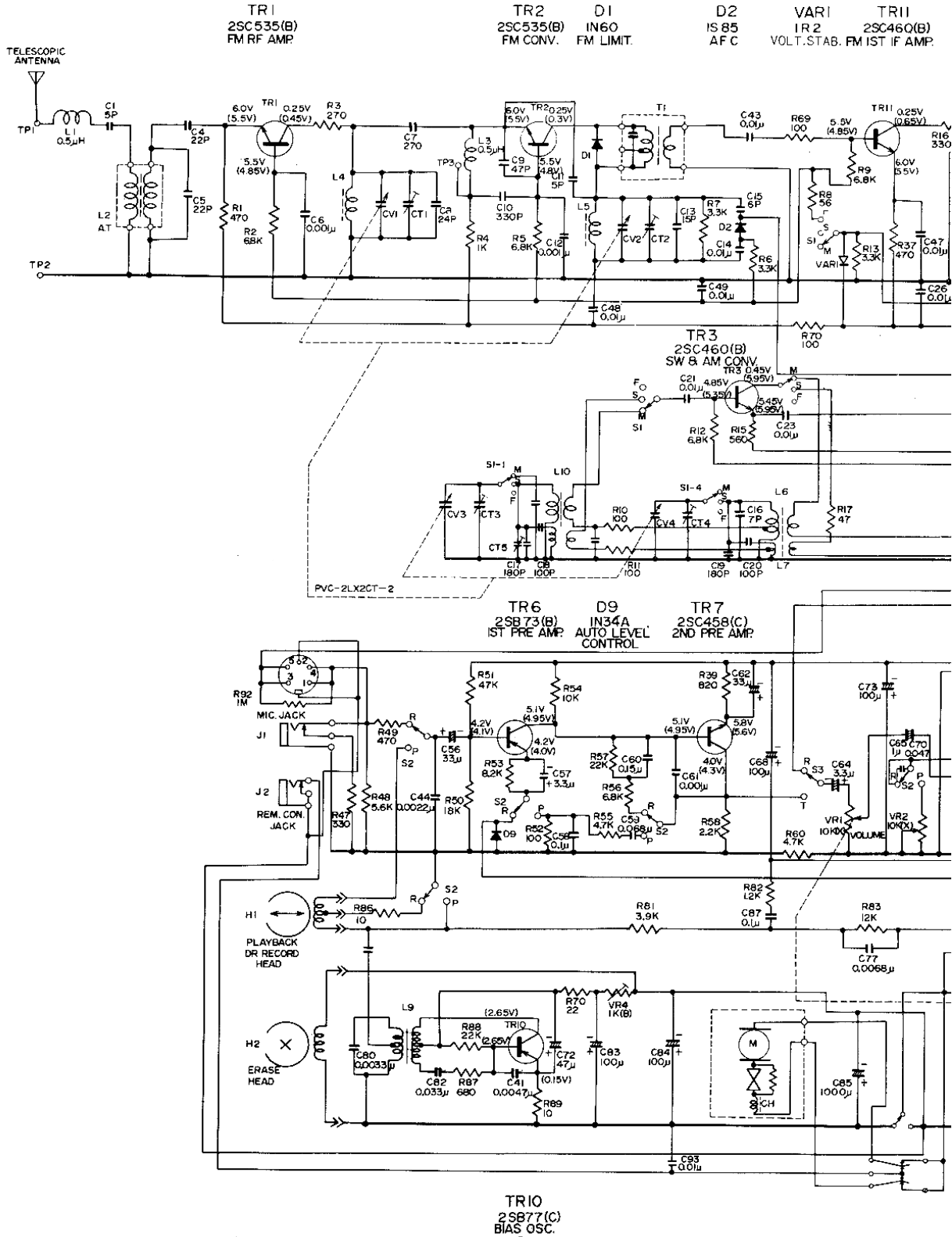


V. C. POSITION : FULLY COUNTERCLOCKWISE  
(LOW FREQ. END)

Fig. 8

# MODEL KCT-1210E SERVICE MANUAL

## CIRCUIT DIAGRAM



NOTE: 1. VOLTAGE MEASURED WITH VOLTMETER AT 6V DC, BASE (+) SIDE POWER SUPPLY, VOLUME CONTROL AT MINIMUM AND NO SIGNAL.  
 2. ALL RESISTANCE VALUES IN OHMS. K = 1000  
 3. ALL CAPACITANCE VALUES IN  $\mu$ F EXCEPT "P" NOTED. P =  $\mu$ F = PF

TR1  
2  
2SC460(B)  
STAB. FM 1ST IF AMP.

D4  
IN34A  
AGC

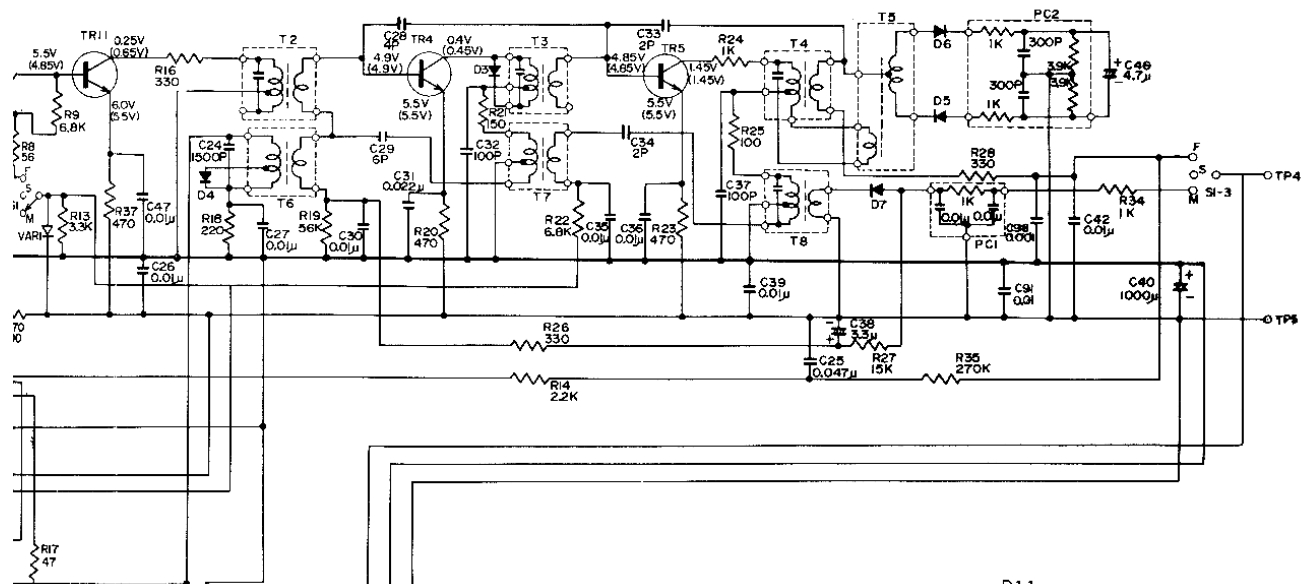
TR4  
2SC460(B)  
FM 2ND IF AMP.  
& AM 1ST IF AMP.

D3  
IN60  
FM LIMIT.

TR5  
2SC460(B)  
FM 3RD IF AMP.  
& AM 2ND IF AMP.

D7  
IN34A  
AM DET.  
& AGC

D5, D6  
IN60(P)  
FM DISC.



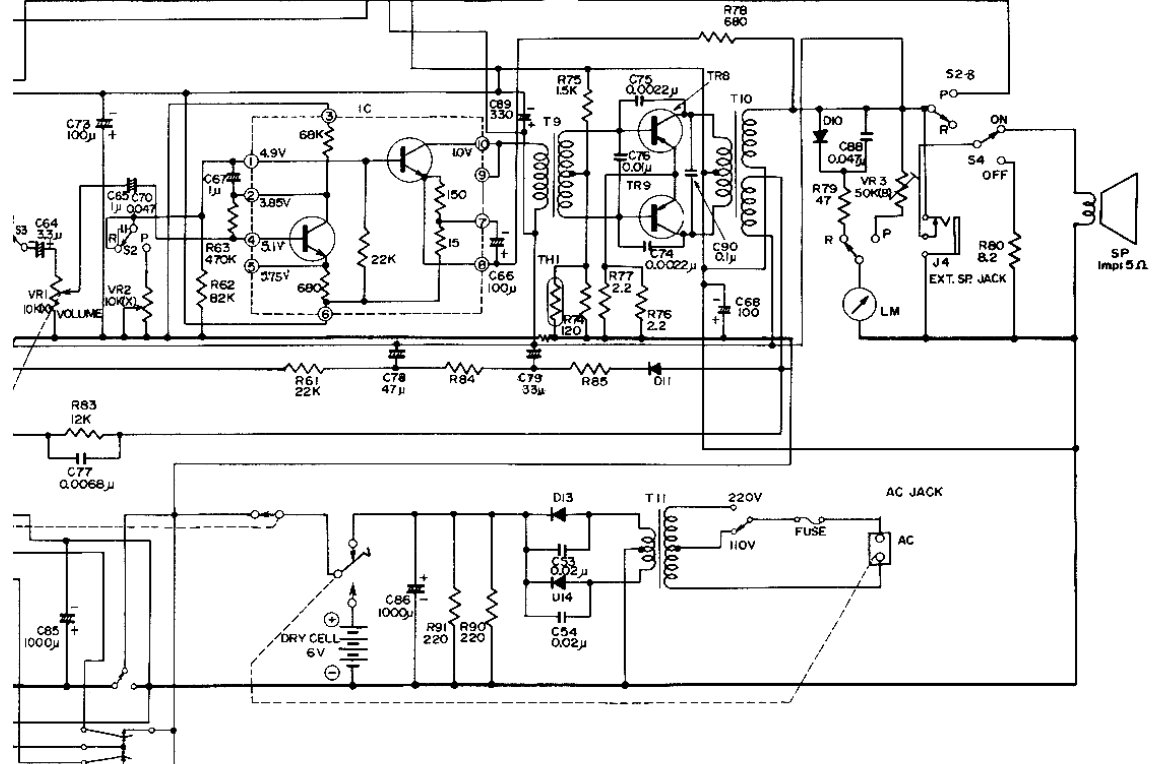
IC  
FA 6005T  
AF AMP & DRIVER

TH1  
D-IE  
TEMP. COMP.

TR8, TR9  
2SB 156(C)(P)X2  
POWER AMP

D10  
IN34A  
RECT. LEVEL METER

D11  
IN34A  
Rect. LEVELMETER



D13, D14  
VO-6A  
RECT.