

Q1  
2SC461  
FM RF AMP.

Q2  
2SC535  
FM CONV.

D1  
IN60  
FM LIMITER

Q3  
2SC460  
FM 1ST IF AMP.  
AM CONV.

D2  
IN34A  
AGC

Q4  
2SC454  
FM 2ND IF AMP.  
AM 1ST IF AMP.

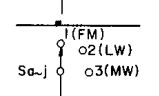
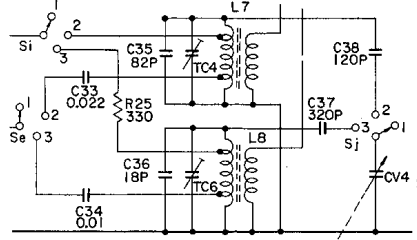
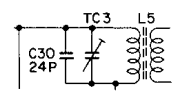
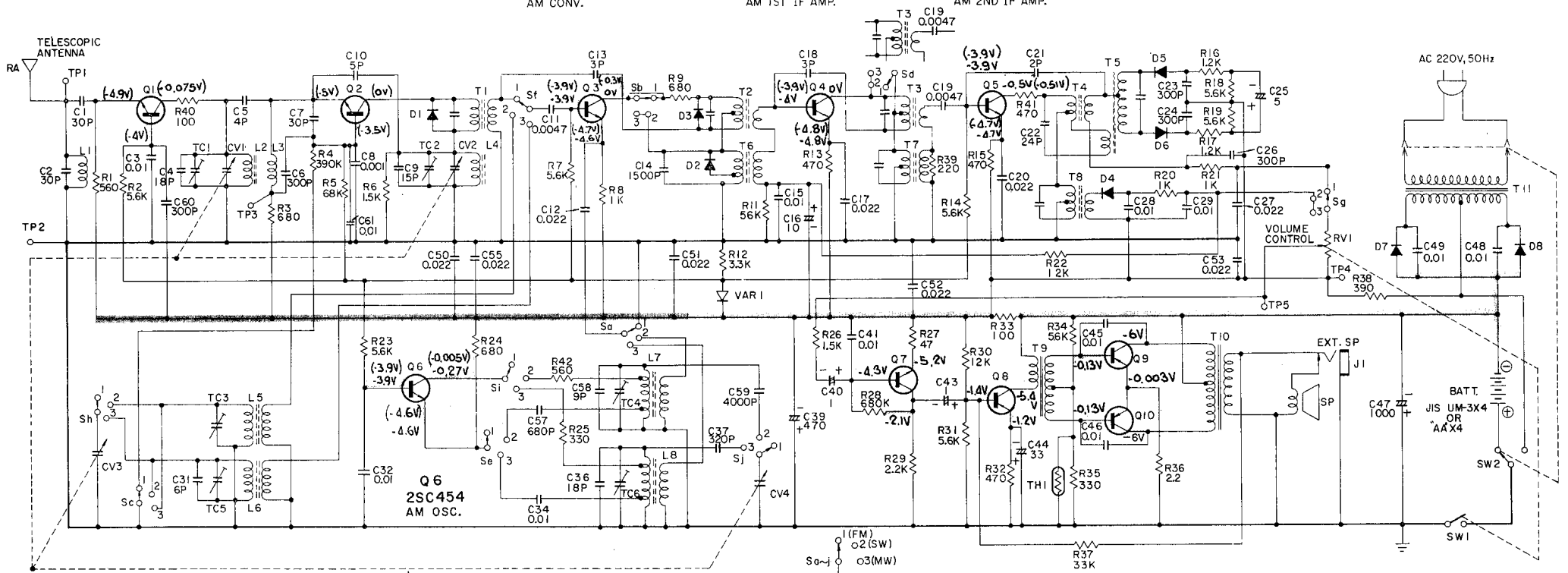
D3  
IN60  
FM LIMITER

Q5  
2SC454  
FM 3RD IF AMP.  
AM 2ND IF AMP.

D4  
IN34A  
AM DET.

D5, D6  
IN60P x 2  
FM DET.

D7, D8  
VO-6B x 2  
RECTIFIER



Q7  
2SC458  
AF AMP.

Q8  
2B75  
DRIVER

TH1  
D-2B  
TEMP. COMP.

Q9, Q10  
2SB156 x 2  
POWER AMP.

NOTE:

- VOLTAGE MEASURED WITH VOLTMETER AT 6V DC, ⊕ SIDE BASE OF POWER SUPPLY, VOLUME CONTROL AT MINIMUM AND NO SIGNAL. VOLTMETER: TESTER 20KΩ/V. VOLTAGE SHOWN IN ( ) ARF FM POSITION.
- ALL RESISTANCE VALUES IN OHMS. K=1000
- ALL CAPACITANCE VALUES IN μF EXCEPT 'P' NOTED. P=μF=PF

