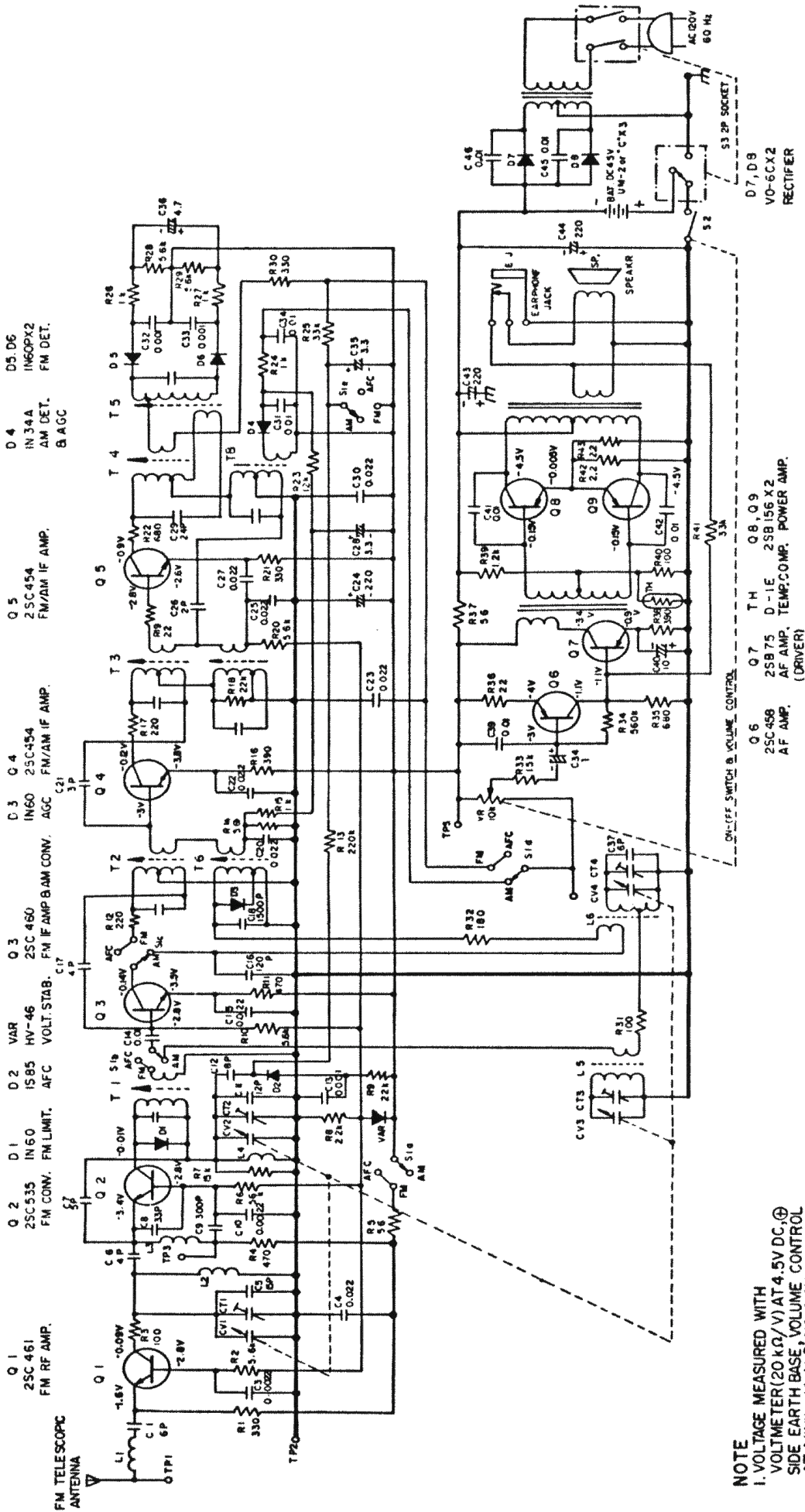


## REPLACEMENT PARTS

Symbol No.	Stock No.	Description	Symbol No.	Stock No.	Description
<b>CAPACITORS :</b>					
C 1	0248646	Ceramic, disc. 6pF ± 0.5pF	R 24	0137851	Carbon film 1kΩ ± 5% ¼SD
C 3	0244163	Ceramic, disc. 0.0022μF +80% -20%	R 25	0137907	Carbon film 33kΩ ± 5% ¼SD
C 4	0275113	Mylar 0.022μF +20%	R 26	0137851	Carbon film 1kΩ ± 5% ¼SD
C 5	0248704	Ceramic, disc. 15pF ± 10%	R 27	0137851	Carbon film 1kΩ ± 5% ¼SD
C 6	0248644	Ceramic, disc. 4pF ± 0.5pF	R 28	0137860	Carbon film 5.6kΩ ± 5% ¼SD
C 7	0248645	Ceramic, disc. 5pF ± 0.5pF	R 29	0137860	Carbon film 5.6kΩ ± 5% ¼SD
C 8	0248712	Ceramic, disc. 33pF ± 10%	R 30	0137807	Carbon film 330Ω ± 5% ¼SD
C 9	0249519	Ceramic, disc. 300pF ± 10%	R 31	0137801	Carbon film 100Ω ± 5% ¼SD
C 10	0244163	Ceramic, disc. 0.0022μF +80% -20%	R 32	0137804	Carbon film 180Ω ± 5% ¼SD
C 11	0246472	Ceramic, disc. 12pF ± 10%	R 33	0137853	Carbon film 15kΩ ± 5% ¼SD
C 12	0248648	Ceramic, disc. 8pF ± 0.5pF	R 34	0122901	Carbon film 560kΩ ± 5% ¼SD
C 13	0244161	Ceramic, disc. 0.001μF -20%	R 35	0137811	Carbon film 680Ω ± 5% ¼SD
C 14	0275111	Mylar 0.01μF +20%	R 36	0137763	Carbon film 22Ω ± 5% ¼SD
C 15	0275113	Mylar 0.022μF +20%	R 37	0137768	Carbon film 56Ω ± 5% ¼SD
C 16	0248726	Ceramic, disc. 120pF ± 10%	R 38	0137808	Carbon film 390Ω ± 5% ¼SD
C 17	0248644	Ceramic, disc. 4pF ± 0.5pF	R 39	0137852	Carbon film 1.2kΩ ± 5% ¼RDS
C 18	0221339	Polystyrol 1500pF ± 5%	R 40	0137901	Carbon film 100Ω ± 5% ¼SD
C 20	0275113	Mylar 0.022μF +20%	R 41	0137907	Carbon film 33kΩ ± 5% ¼SD
C 21	0248643	Ceramic, disc. 3pF ± 0.5pF	R 42	0137751	Carbon film 2.2Ω ± 5% ¼SD
C 22	0275113	Mylar 0.022μF ± 20%	R 43	0137751	Carbon film 2.2Ω ± 5%
C 23	0275113	Mylar 0.022μF ± 20%	RV	7071601	Variable 10kΩ
C 24	0252332	Electrolytic 220μF 10V	<b>SEMI-CONDUCTORS :</b>		
C 25	0275113	Mylar 0.022μF ± 20%	Q 1	0573506	Transistor 2SC461A Silicon 100MHz 200mW
C 26	0248642	Ceramic, disc. 2pF ± 0.5pF	Q 2	0573509	Transistor 2SC535A Silicon 100MHz 200mW
C 27	0275113	Mylar 0.022μF ± 20%	Q 3	0573486	Transistor 2SC460B Silicon 100MHz 200mW
C 28	0252613	Electrolytic 3.3μF 25V	Q 4	0573492	Transistor 2SC454C Silicon 2MHz 200mW
C 29	0248669	Ceramic, disc. 24pF ± 5%	Q 5	0573492	Transistor 2SC454C Silicon 2MHz 200mW
C 30	0275113	Mylar 0.022μF +20%	Q 6	5320064	Transistor 2SC458D Silicon 10kHz 200mW
C 31	0275111	Mylar 0.01μF +20%	Q 7	0573117	Transistor 2SB75B Germanium 10kHz 150mW
C 32	0274111	Mylar 0.001μF ± 20%	Q 8	0573002	Transistor 2SB156B/P Germanium 10kHz 150mW
C 33	0274111	Mylar 0.001μF ± 20%	Q 9	0573002	Transistor 2SB156B/P Germanium 10kHz 150mW
C 34	0275111	Mylar 0.01μF ± 20%	D 1	0575005	Diode 1N60 Germanium 10.7MHz
C 35	0252613	Electrolytic 3.3μF 25V	D 2	0575024	Diode 1S85 Silicon 10MHz
C 36	0252615	Electrolytic 4.7μF 25V	D 3	0575005	Diode 1N60 Germanium 10.7MHz
C 37	0248646	Ceramic, disc. 6pF ± 0.5pF	D 4	0575001	Diode 1N34A Germanium 455kHz
C 38	0252611	Electrolytic 1μF 25V	D 5	0575019	Diode 1N60P Germanium 10.7MHz
C 39	0275111	Mylar 0.01μF ± 20%	D 6	0575019	Diode 1N60P Germanium 10.7MHz
C 40	0252621	Electrolytic 10μF 25V	D 7	5330101	Rectifier VO-6C
C 41	0275111	Mylar 0.01μF ± 20%	D 8	5330101	Rectifier VO-6C
C 42	0275111	Mylar 0.01μF ± 20%	T H	0576056	Thermistor D-1E
C 43	0256003	Electrolytic 220μF 10V	VAR	5340022	Diode HV46 Silicon 100MHz 20mW
C 44	0256003	Electrolytic 220μF 10V	<b>TRANSFORMERS</b>		
C 45	0244171	Ceramic, disc. 0.01μF +80% -20%	T 1	0329603	FM IF
C 46	0244171	Ceramic, disc. 0.01μF +80% -20%	T 2	0329602	FM IF
CV1~4	7071651	Plastic variable	T 3	0329602	FM IF
CT1~4	7071651	Plastic variable	T 4	0326026	Discriminator
<b>RESISTORS :</b>					
R 1	0137807	Carbon film 330Ω ± 5% ¼SD	T 5	0326028	Discriminator
R 2	0137860	Carbon film 5.6kΩ ± 5% ¼SD	T 6	0329501	AM IF
R 3	0137801	Carbon film 100Ω ± 5% ¼SD	T 7	0322115	AM IF
R 4	0137809	Carbon film 470Ω ± 5% ¼SD	T 8	0322118	AM IF
R 5	0137768	Carbon film 56Ω ± 5% ¼SD	T 9	0441085	Input
R 6	0137860	Carbon film 5.6kΩ ± 5% ¼SD	T 10	5250938	Output
R 7	0137853	Carbon film 15kΩ ± 5% ¼SD	T 11	7071201	Power
R 8	0137855	Carbon film 22kΩ ± 5% ¼SD			
R 9	0137855	Carbon film 22kΩ ± 5% ¼SD			
R 10	0137860	Carbon film 5.6kΩ ± 5% ¼SD			
R 11	0137809	Carbon film 470Ω ± 5% ¼SD			
R 12	0137805	Carbon film 220Ω ± 5% ¼SD			
R 13	0137955	Carbon film 220kΩ ± 5% ¼SD			
R 14	0137910	Carbon film 56kΩ ± 5% ¼SD			
R 15	0137851	Carbon film 1kΩ ± 5% ¼SD			
R 16	0137808	Carbon film 390Ω ± 5% ¼SD			
R 17	0137805	Carbon film 220Ω ± 5% ¼SD			
R 18	0137903	Carbon film 22kΩ ± 5% 15 ¼SD			
R 19	0137763	Carbon film 22Ω ± 5% ¼SD			
R 20	0137860	Carbon film 5.6kΩ ± 5% ¼SD			
R 21	0137807	Carbon film 330Ω ± 5% ¼SD			
R 22	0137811	Carbon film 680Ω ± 5% ¼SD			
R 23	0137902	Carbon film 12kΩ ± 5% ¼SD			

## REPLACEMENT PARTS (cont.)

Symbol No.	Stock No.	Description	Symbol No.	Stock No.	Description
<b>COILS :</b>					
L 1	0318530	FM Antenna	7244666		Holder (3req'd) for speaker
L 2	0318526	FM	8781436		Tapping screw-3mm $\phi$ $\times$ 6mm (3req'd) for holder (speaker) mounting
L 3	0324003	FM Trap	<b>for rear case assembly</b>		
L 4	0318537	FM Oscillator	7071231		Rear case Black
L 5	7071581	Ferrite-core Antenna	7071241		Rear case Ivory
L 6	5220198	AM Oscillator	7071251		Handle assembly Black
<b>MISCELLANEOUS :</b>					
<b>for final assembly</b>					
	5730073	Earphone	7071511		Handle assembly Black
	5747011	Power cord with plug	5750471		Telescopic antenna Ivory
	8745418	Bind screw-3mm $\phi$ $\times$ 18mm (2req'd) for rear case mounting	8711404		Pan head screw-3mm $\phi$ $\times$ 4mm for telescopic antenna & bracket mounting
	8781438	Tapping screw-3mm $\phi$ $\times$ 8mm (4req'd) for P. W. B. mounting	8781436		Tapping screw-3mm $\phi$ $\times$ 6mm for bracket & rear case mounting
	7071171	Battery case	7071521		Battery lid assembly Black
	7072151	Knob assembly (TUNING) Black	7071531		Battery lid assembly Ivory
	7072171	Knob assembly (TUNING) Ivory	<b>for chassis assembly</b>		
	7071321	Knob assembly (VOLUME) Black	7071551		Shaft
	7071331	Knob (VOLUME) Black	7071541		Chassis assembly
<b>for front case assembly</b>					
	7071181	Front case assembly Black	7071561		Scale plate Black
	7071191	Front case assembly Ivory	7071571		Scale plate Ivory
	8781436	Tapping screw-3mm $\phi$ $\times$ 6mm (2req'd) for power transformer mounting	8781436		Tapping screw-3mm $\phi$ $\times$ 6mm (2req'd) for P.W.B. & scale plate mounting
	5652001	2P socket	7071591		Holder (2req'd) for antenna
	0711308	Pan head screw-2.6mm $\phi$ $\times$ 8mm (2req'd) for 2P socket mounting	<b>for P. W. B. assembly</b>		
	7071211	Bracket for 2P socket	7071611		Roller
	7071221	Speaker-7.7 cm	8821114		Nut-3mm (2req'd) for shaft (roller) mounting
			0711306		Pan head screw-2.6mm $\phi$ $\times$ 6mm for pulley mounting
			7071621		Pulley
			7071631		Spring for pulley
			7071641		Pointer
			0721304		Flat screw-2.6mm $\phi$ $\times$ 4mm (2req'd) for plastic variable capacitor mounting
			7071661		Slide switch for band selector
			0543217		Jack for earphone



NOTE  
 1. VOLTAGE MEASURED WITH VOLT METER (20 KΩ/V) AT 4.5V DC, @ SIDE EARTH BASE, VOLUME CONTROL AT MINIMUM AND NO SIGNAL.  
 2. ALL RESISTANCE VALUES IN OHMS k=1000  
 3. ALL CAPACITANCE VALUES IN MICROFARAD (μF) EXCEPT "p" NOTED.  
 p=μμF = pF