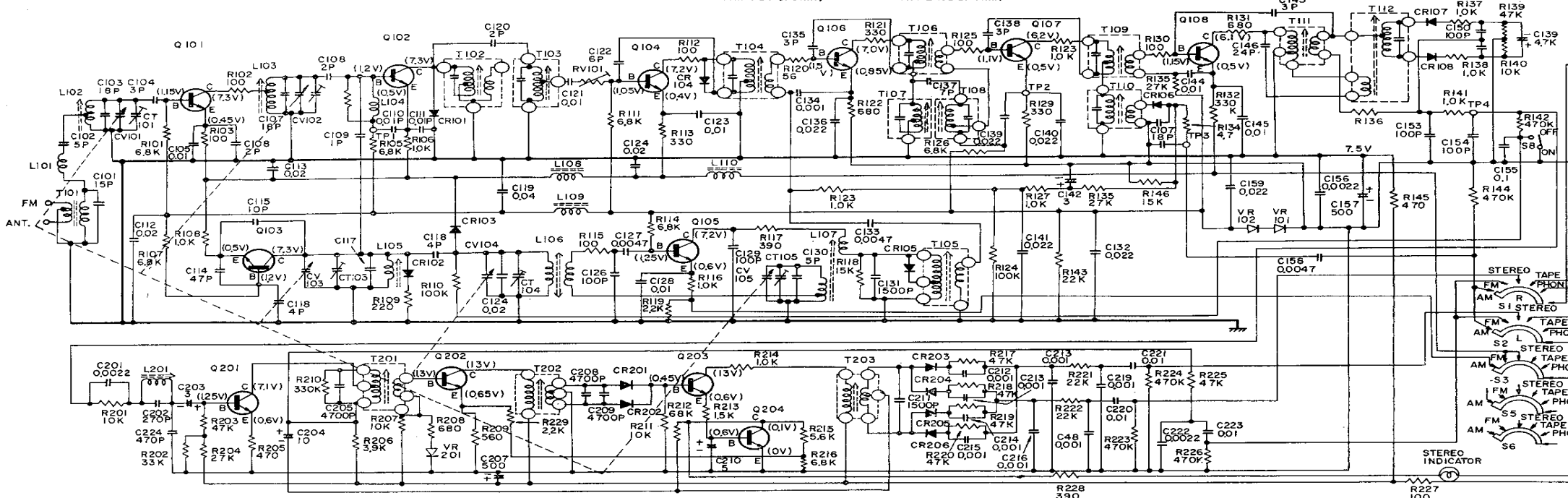
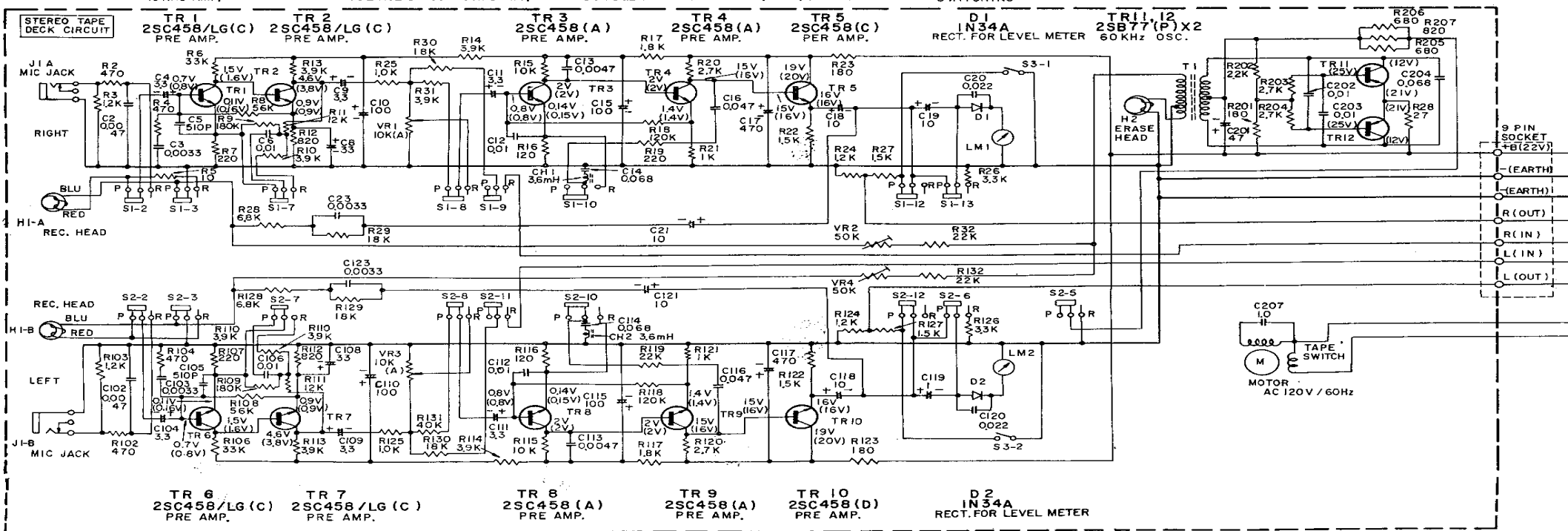


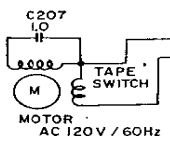
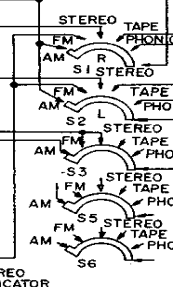
**Q 101** 2SC535 FM RF AMP.   
**Q 103** 2SC535 FM OSC.   
**Q 102** 2SC535 FM MIX.   
**CR103** 1S 85 FM AFC.   
**CR101** IN 60 FM LIMIT. TEM. COMP.   
**CR102** IN 60 FM 1ST IF AMP.   
**Q104** 2SC460 FM 1ST AMP.   
**Q 105** 2SC460 AM CONV.   
**CR104** IN 60 FM LIMIT.   
**Q106** 2SC460 FM 2ND IF AMP.   
**CR105** IN 60 AM AGC.   
**Q107** 2SC460 FM 3RD IF AMP.   
**CR106** IN 34A AM DET.   
**Q 108** 2SC460 FM 4TH IF AMP.   
**VR 101, 102** HV-23X 2 VOLTAGE STAB.   
**CR107, 108** IN 60(P) X 2 FM RATIO DET.

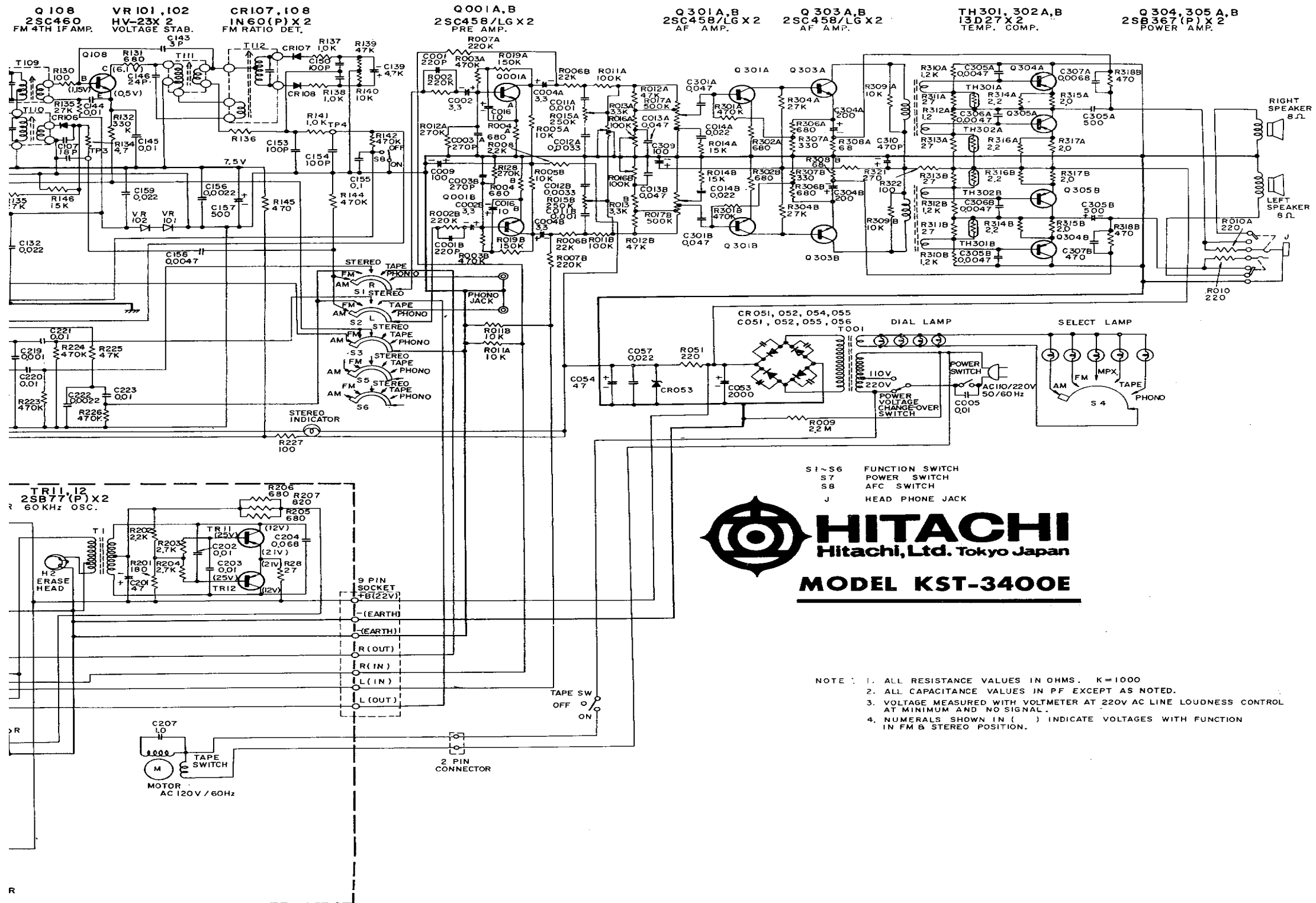



**Q 201** 2SC458 19KHz AMP.   
**VR 201** HV-23 VOLTAGE STAB.   
**Q 202** 2SC458 19KHz AMP.   
**CR 201, 202** IN 34A X 2 DOUBLER.   
**Q 203** 2SC458 38KHz AMP.   
**Q 204** 2SC458 DC AMP.   
**CR 203, 204, 205, 206** IN 60(P) X 4 SWITCHING.



**TR 1** 2SC458/LG(C) PRE AMP.   
**TR 2** 2SC458/LG(C) PRE AMP.   
**TR 3** 2SC458(A) PRE AMP.   
**TR 4** 2SC458(A) PRE AMP.   
**TR 5** 2SC458(C) PER AMP.   
**TR 6** 2SC458/LG(C) PRE AMP.   
**TR 7** 2SC458/LG(C) PRE AMP.   
**TR 8** 2SC458(A) PRE AMP.   
**TR 9** 2SC458(A) PRE AMP.   
**TR 10** 2SC458(D) PRE AMP.   
**D1** IN 34A RECT. FOR LEVEL METER.   
**D2** IN 34A RECT. FOR LEVEL METER.






**HITACHI**  
 Hitachi, Ltd. Tokyo Japan  
**MODEL KST-3400E**

- S1~S6 FUNCTION SWITCH
- S7 POWER SWITCH
- S8 AFC SWITCH
- J HEAD PHONE JACK

- NOTE :
1. ALL RESISTANCE VALUES IN OHMS. K=1000
  2. ALL CAPACITANCE VALUES IN PF EXCEPT AS NOTED.
  3. VOLTAGE MEASURED WITH VOLTMETER AT 220V AC LINE LOUDNESS CONTROL AT MINIMUM AND NO SIGNAL.
  4. NUMERALS SHOWN IN ( ) INDICATE VOLTAGES WITH FUNCTION IN FM & STEREO POSITION.