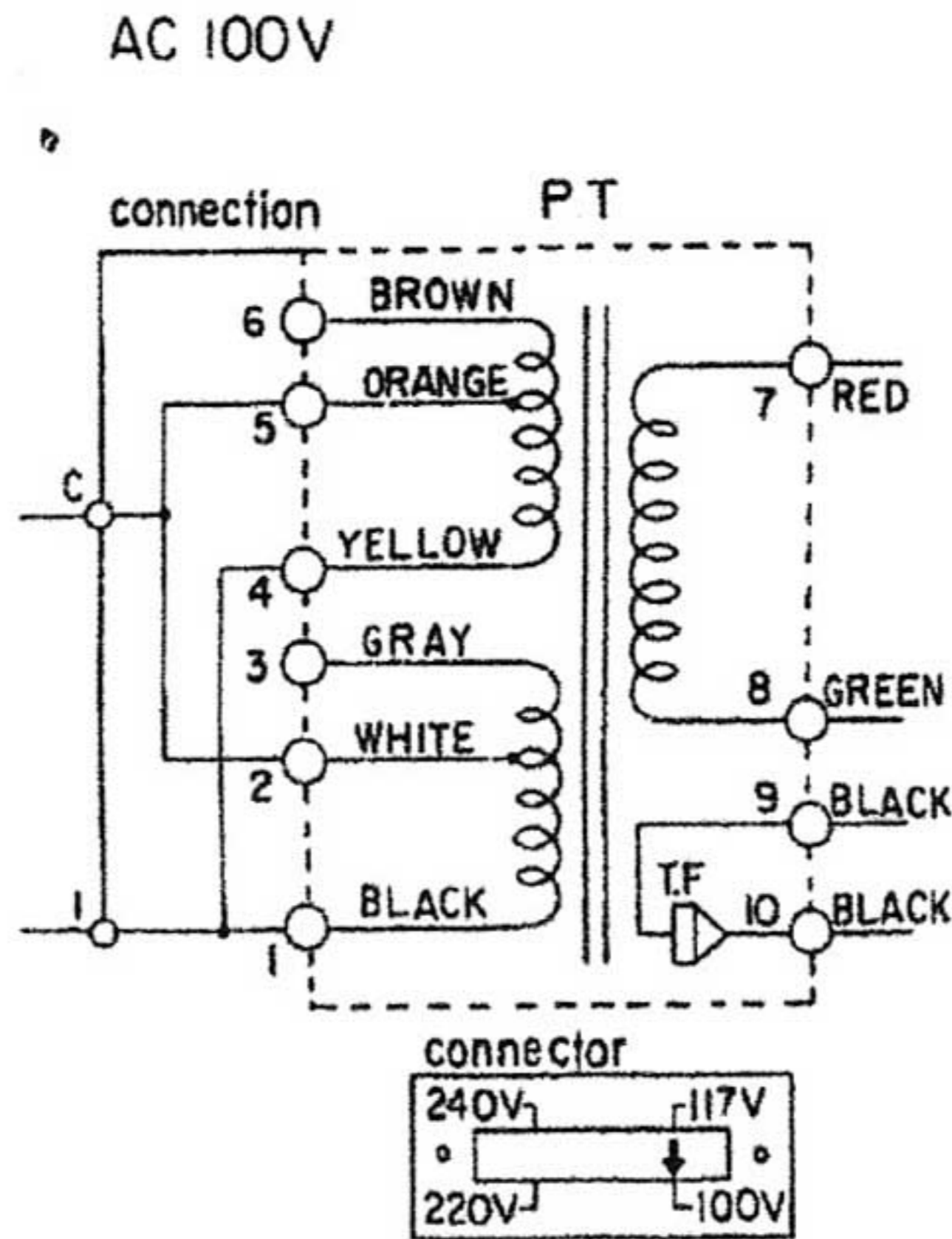


Model PS-38 is factory-set to the voltage according to the area in which it is to be used.

It can be operated at 100, 120, 220, 240V/50 or 60Hz. When the set voltage does not conform with that of the area where it is to be used, change over the voltage of the turntable as follows.

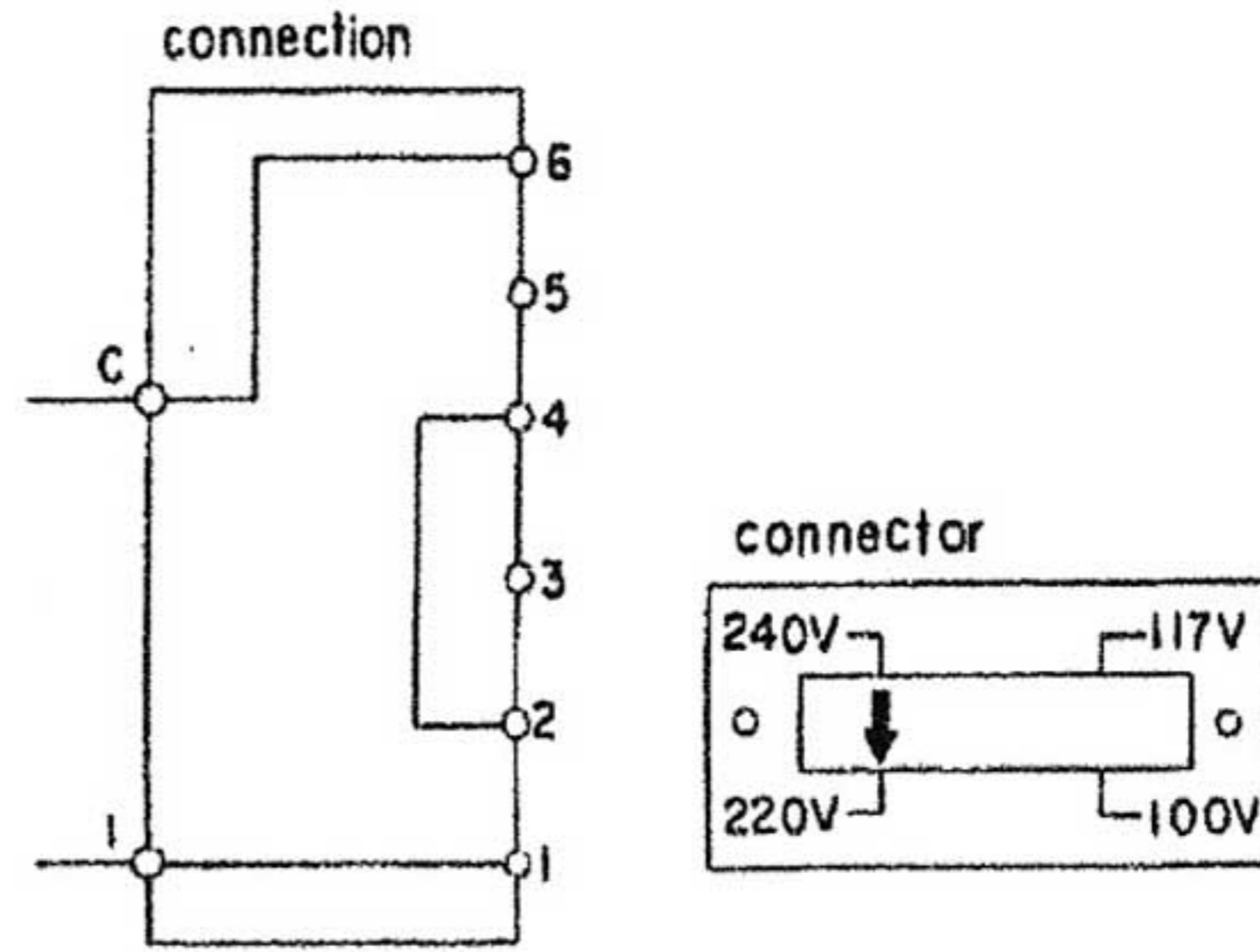


(1) Frequency

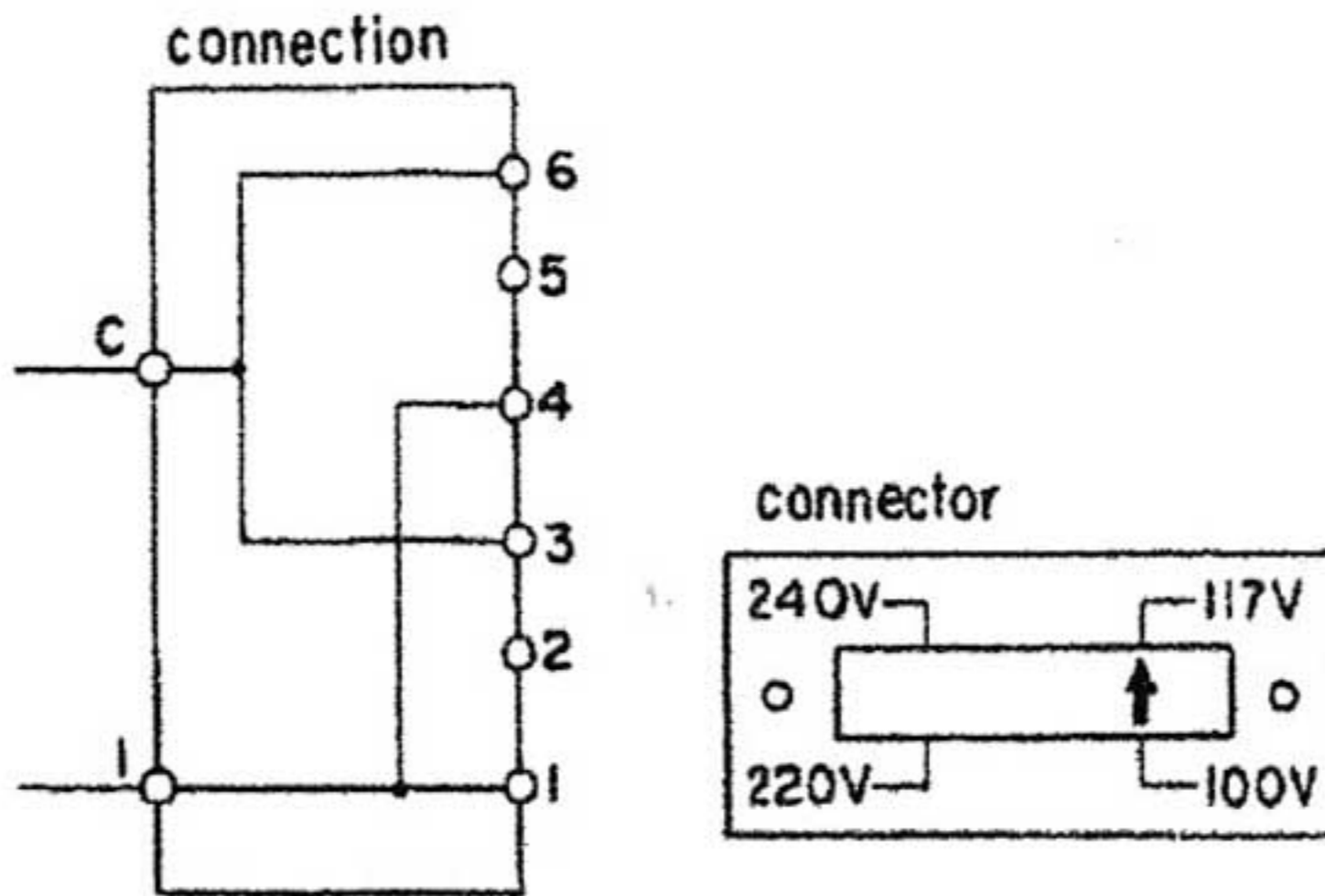
This turntable can be used with power supply frequency 50Hz and 60Hz without changing parts or connections.

(2) Voltage

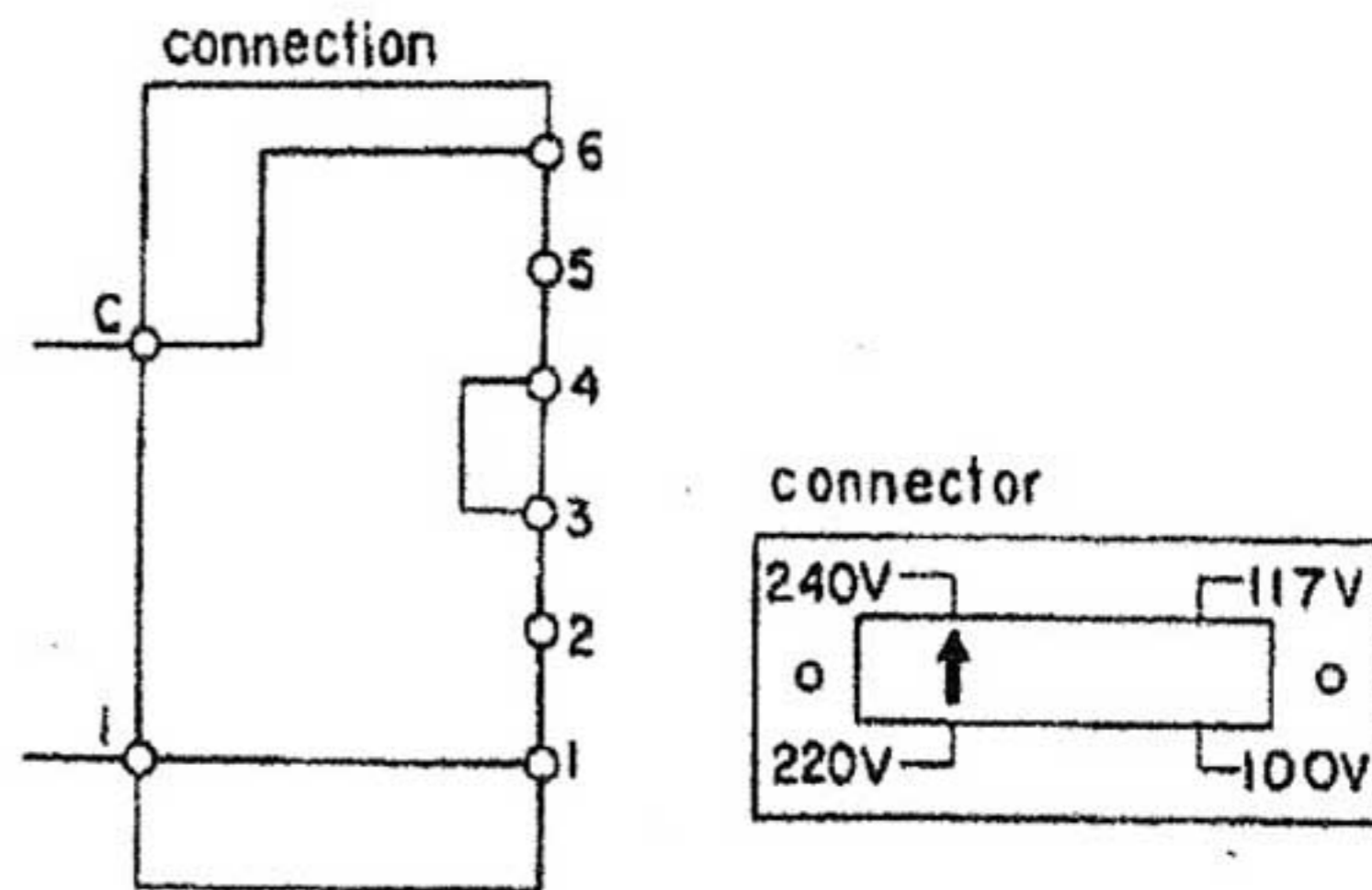
AC 200V-220V



AC 120V



AC 230V-240V



Modell PS-38 wird werkeseitig auf die Netzspannung des Bestimmungsgebietes eingestellt. Dieses Modelle kann mit 100, 120, 220, 240V bei 50/60Hz betrieben werden. Falls die eingestellte Spannung nicht mit der örtlichen Netzspannung übereinstimmt, die Netzspannung wie folgt einstellen.

(1) Frequenz

Dieser Plattenspieler kann mit einer Frequenz von 50 oder 60Hz betrieben werden, ohne daß eine Einstellung erforderlich ist.

(2) Spannung

Le modèle PS-38 est ajusté en usine sur le voltage du pays où il doit être utilisé.

100, 120, 220, 240V/50 ou 60Hz sont disponibles.

Quand le voltage ne correspond pas à celui voulu effectuer le changement à l'aide de la plaque tournante.

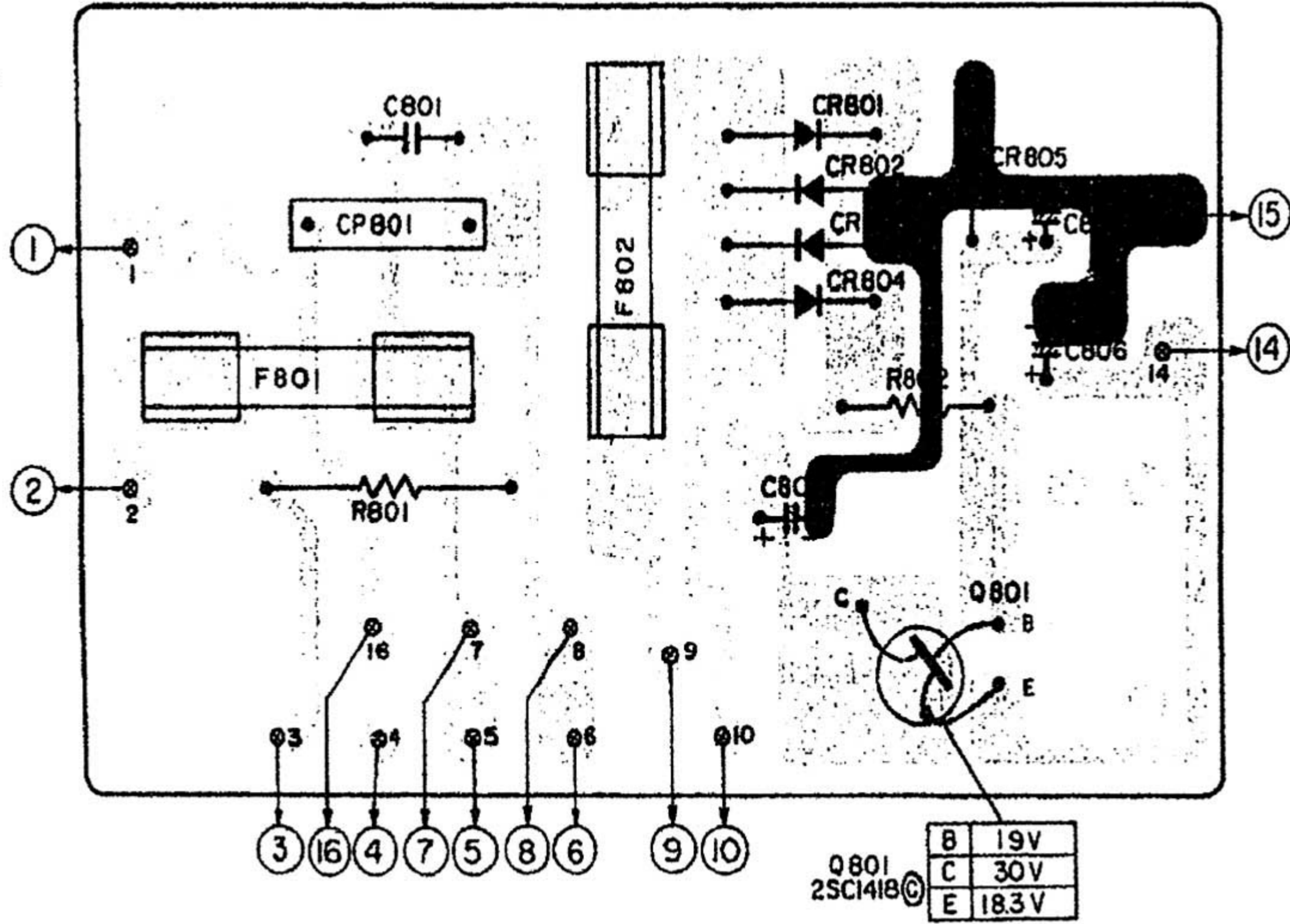
(1) Fréquence

Cette plaque tournante peut être utilisée avec les fréquences de 50 ou de 60Hz sans changer de pièces ou de connections.

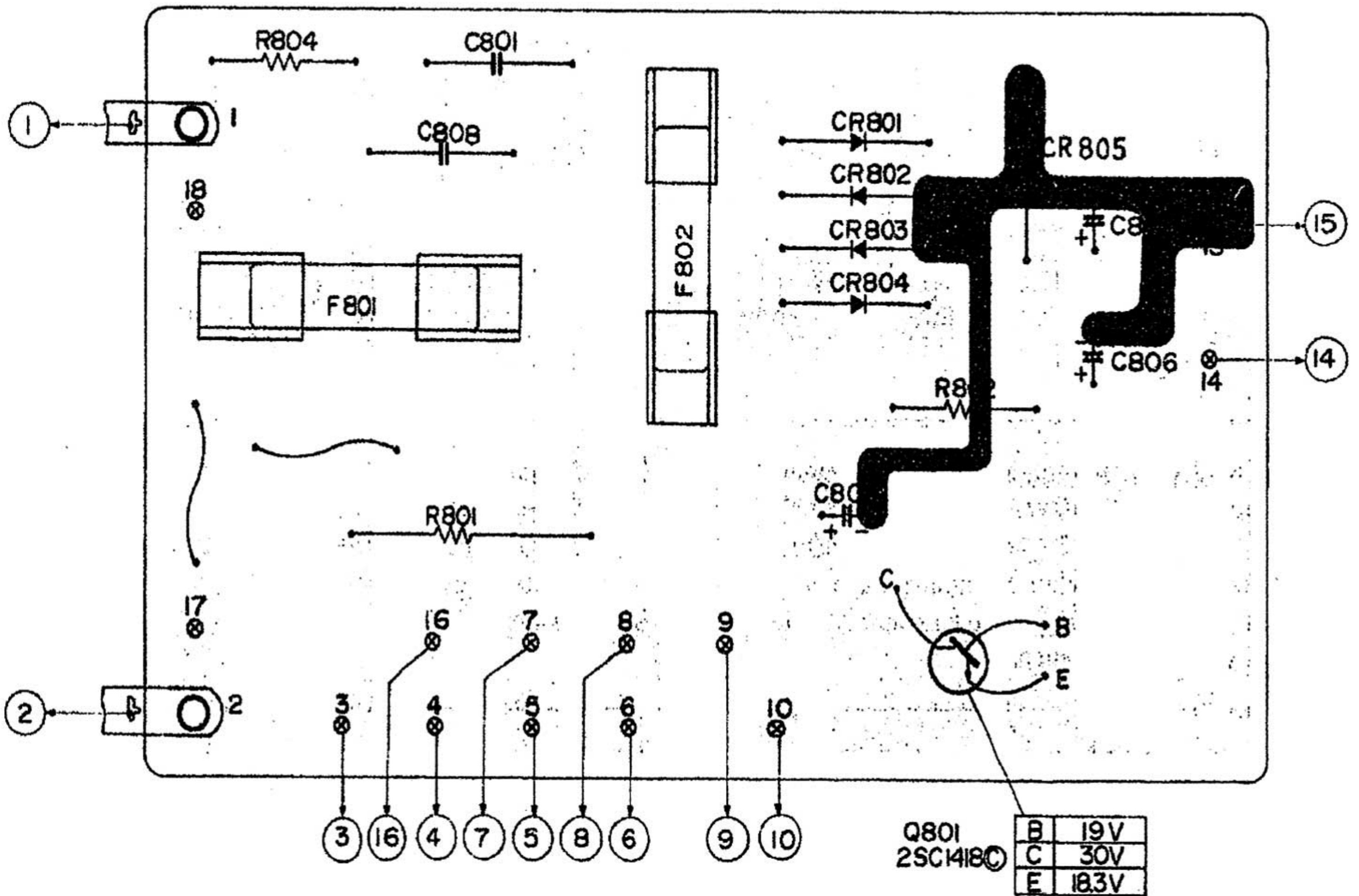
(2) Voltage

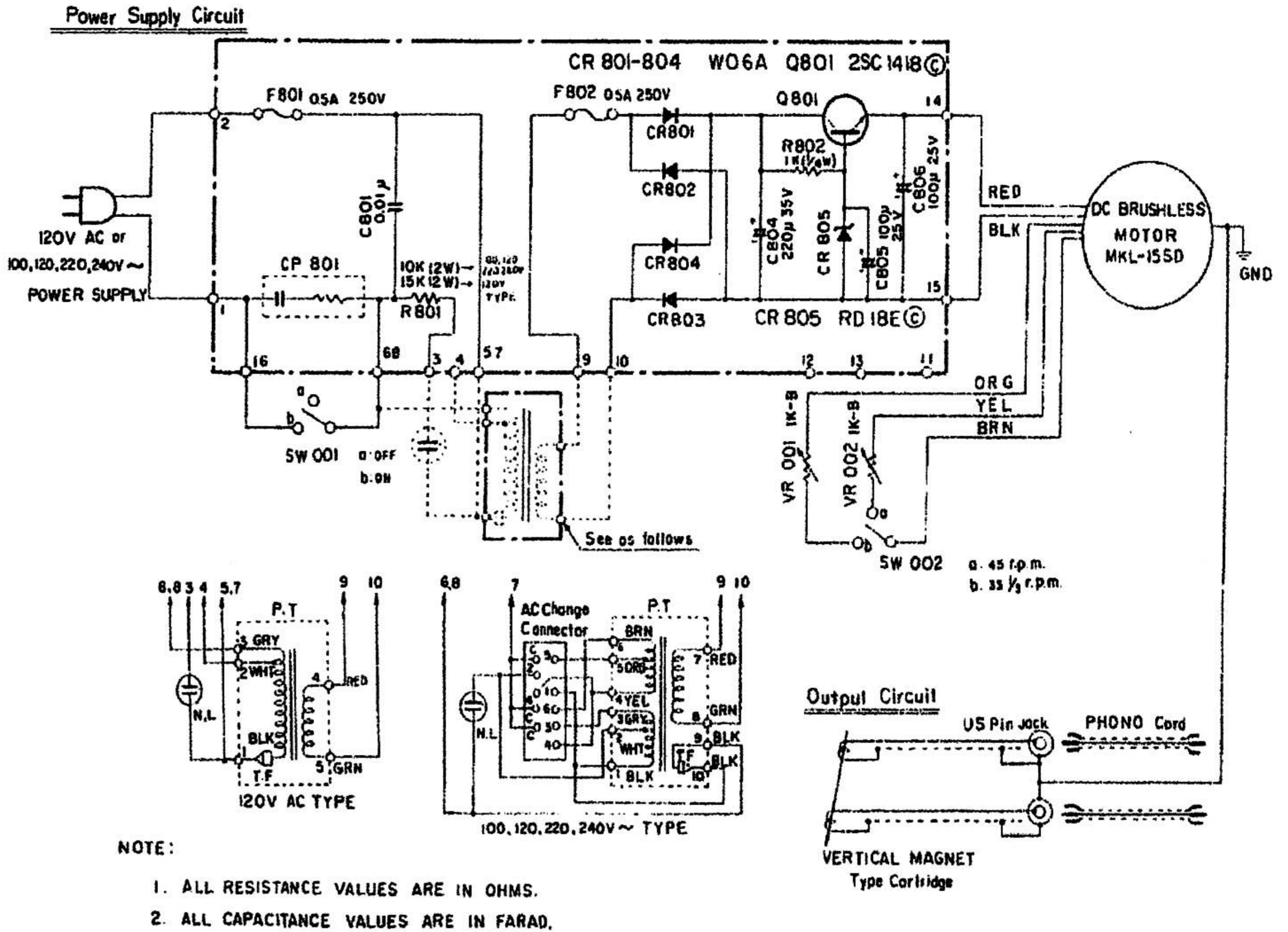
The terminal mark shows the stamp on the printed wiring board.
This mark matches the mark in the circuit diagram.

FOR U.S.A., CANADA, EUROPA, U.K., AUSTRALIA & PX

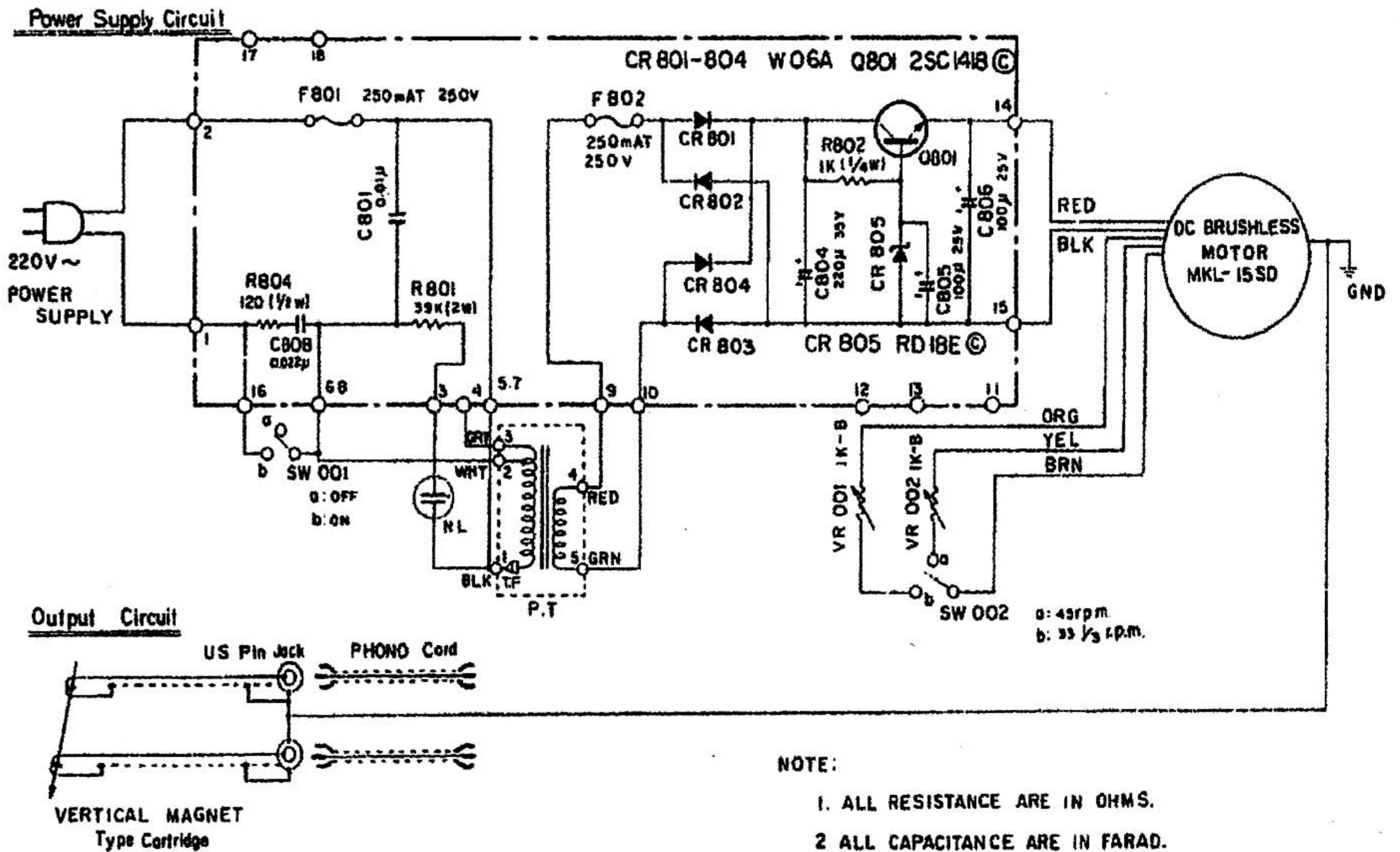


FOR SWITZERLAND & SWEDEN





FOR SWITZERLAND & SWEDEN



SYMBOL NO.	STOCK NO.	DESCRIPTION		SYMBOL NO.	STOCK NO.	DESCRIPTION
CAPACITORS						
C801	0243876	Ceramic, discal (for U.K., PX, Europe & Australia)	0.01 μ F \pm 20%		250V	
C801	0243877	Ceramic, discal (for U.S.A. & Canada)	0.01 μ F +80% -20%		125V	
C801	0261201	Metalized paper (for Sweden & Switzerland)	0.01 μ F \pm 20%		250V	
C804	0252732	Electrolytic	220 μ F		35V	
C805	0252631	Electrolytic	100 μ F		25V	
C806	0252631	Electrolytic	100 μ F		25V	
C808	0261206	Metalized paper (for Sweden & Switzerland)	0.022 μ F \pm 20%		250V	
RESISTORS						
R801	0119563	Metal, oxide (for U.S.A. & Canada)	15k Ω \pm 10%		RS2B	
R801	0119568	Metal, oxide (for Switzerland & Sweden)	39k Ω \pm 10%		RS2B	
R801	0119561	Metal, oxide (for U.K., Europe PX & Australia)	10k Ω \pm 10%		RS2B	
R802	0114161	Carbon film	1k Ω \pm 5%		SRD1/4P	
R804	0134362	Composition (for Switzerland & Sweden)	120 Ω \pm 10%		RC 1/2 GF	
TRANSISTORS						
Q801	2327583	2SC1418 ©				
DIODES						
CR801	2337081	WO6A				
CR802	2337081	WO6A				
CR803	2337081	WO6A				
CR804	2337081	WO6A				
CR805	2337202	RD18E ©				
VARIABLE RESISTORS						
VR001	0151841	1k Ω - (B)				
VR002	0151841	1k Ω - (B)				
For FINAL ASSEMBLY						
●	2217941	Power transformer (for U.S.A. & Canada)				
●	2218141	Power transformer (for Europe, PX, U.K. & Australia)				
●	2218121	Power transformer (for Sweden & Switzerland)				
●	4683203	Power transformer rubber (for Europe, U.K., PX & Australia)				
●	4683202	Power transformer rubber (for U.S.A., Canada, Sweden & Switzerland)				
●	2522311	Direct drive motor				
●	2657123	Voltage change-over socket (for Europe, U.K., PX & Australia)				
●	4770254	3 ϕ nut with washer (for Rest holder, motor fixing)				
●	4389423	Spacer				
●	2767312	Neon lamp				
●	3921221	Lamp case				
●	3921152	Rest holder				
●	3921232	Rest base				
●	4784822	Turn table				
●	4682401	30cm turn table sheet				
●	4389231	Control panel				
●	4389251	Operation plate				
●	3920211	Control cam				
●	0635233	3/16" ball				
●	0637445	3 ϕ E ring				
● SW001	2787433	Micro switch				
● SW002	2787431	Micro switch				
●	4567418	3 ϕ x 25 CT bind screw				
●	4570511	Pitch control knob				
●	4569563	Switch lever (for Power/speed change-over)				
●	4567421	4 ϕ x 6 CT bind screw				
●	4567425	4 ϕ x 14 CT bind screw				
●	3921211	Arm base				
●	4683512	Rubber cushion (for pick-up)				
●	2747771	AC power cord (for Switzerland)				
●	2748441	AC power cord (for U.S.A. & Canada)				
●	2748511	AC power cord (for Europe & PX)				
●	2748551	AC power cord (for Sweden)				
●	2747732	AC power cord (for U.K.)				
●	2747301	AC power cord (for Australia)				
●	0043793	Bushing (for AC power cord) (for U.S.A., Sweden & Canada)				
●	3913005	Bushing (for AC power cord) (for U.K.)				
●	3913001	Bushing (for AC power cord) (for Europe, P X & Switzerland)				
●	3715184	Bushing (for AC power cord) (for Australia)				
●	2787221	Belt with earth cords (for AC power cord) (for Australia)				
●	4386321	Rear plate (for U.S.A., Canada & Sweden)				
●	4387971	Rear plate (for Australia)				
●	4387972	Rear plate (for Europe, U.K., PX & Switzerland)				
●	2748481	Earth cord (for Europe, U.K., Australia, PX & Switzerland)				
●	4513311	Earth screw				
●	4567452	3 ϕ x 8 CT bind screw				
●	2670061	2 P US pin jack				
●	4567411	3 ϕ x 6 CT bind screw				
●	4386782	US holder				
●	2748053	Phono cord (with stopper)				
●	4683671	Rubber bush				
●	0645587	Special washer				
For PICK UP ASSEMBLY						
●	2543511	Tone arm				
●	3921342	Base bracket				
●	4569971	Arm lifter				
●	2543227	Head shell				
●	4376993	Weight plate (except U.S.A.)				
●	2552151	Cartridge (VFS-260) (except U.S.A.)				
For POWER SOURCE PRINTED WIRING BOARD ASSEMBLY						
	2505174	Power supply printed wiring board assembly (for Europe, U.K., PX & Australia)				

SYMBOL NO.	STOCK NO.	DESCRIPTION	SYMBOL NO.	STOCK NO.	DESCRIPTION
	2505175	Power supply printed wiring board assembly (for U.S.A. & Canada)	For CABINET ASSEMBLY		
	2505591	Power supply printed wiring board assembly (for Switzerland & Sweden)	●	9311082	Cabinet (with cover cushion & hinge) (for Europe, U.K., Australia, U.S.A., PX & Canada)
CP801	0269014	CR multiple component (for Europe, U.K., Australia & PX)		9311083	Cabinet (with cover cushion & hinge) (for Sweden & Switzerland)
CP801	0269016	CR multiple component (for U.S.A. & Canada)	●	4682621	Cover cushion
F801	2727015	Fuse (0.5A, 250V) (for Europe, U.K., Australia, PX, U.S.A. & Canada)		4386761	Hinge
F802	2727015	Fuse (0.5A, 250V) (for Europe, U.K., Australia, PX, U.S.A. & Canada)	●	4795201	Bottom board
F801	2727402	Fuse (0.5A, 250V) (for Switzerland & Sweden)	●	4683493	Insulator
F802	2727402	Fuse (0.5A, 250V) (for Switzerland & Sweden)		3917466	Dust cover
				4386261	Lock plate
				4567454	3 ϕ x 12 CT bind screw
ACCESSORIES					
				0996096	Service driver (only for U.S.A.)
				0044065	EP adapter
				2747902	Earth cord
				2748561	DIN cord (with pin jack) (only for Sweden)
				2657371	Socket adapter (only for PX)

(Nos. are reference Nos. of parts list.)

