

CIRCUIT DIAGRAM

HITACHI

MODEL

TH-650

TR1
2SA15
CONV.

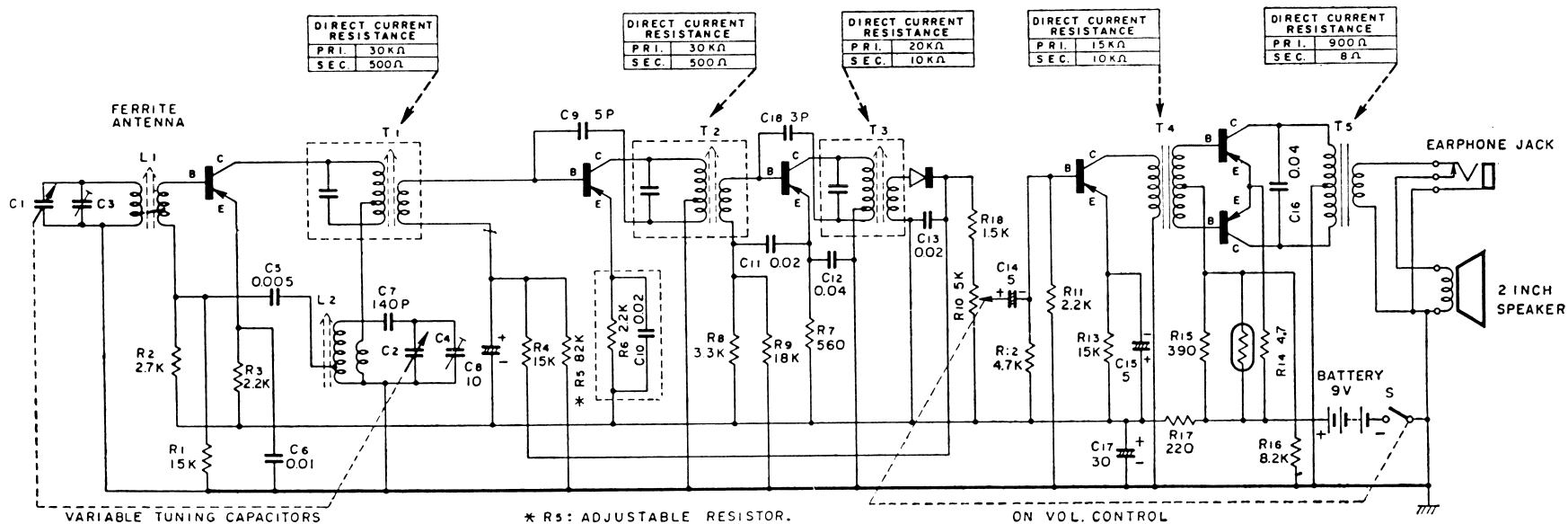
TR2
2SA12
1ST. I.F. AMP.

TR3
2SA12
2ND. I.F. AMP.

D
1N34A
A G C

TR4
2SB155
A.F. AMP.

TR5.6
2SB77 x 2
OUTPUT



TH
B-2B

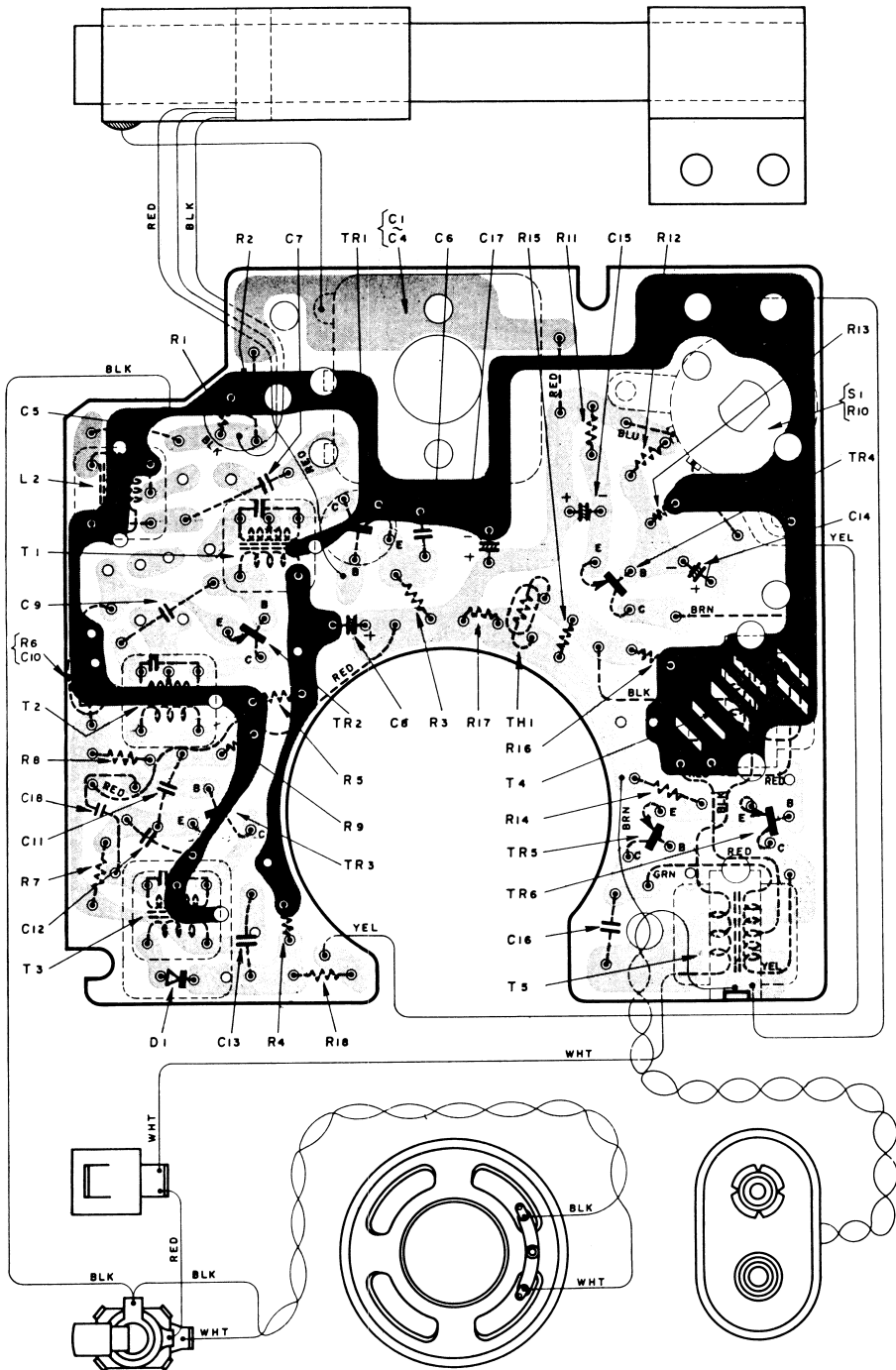
MODEL TH-650 SERVICE MANUAL

H10

Bias voltage: (V)		TR ₁	TR ₂	TR ₃	TR ₄	TR _{5, 6}
	Base	-1.2	-1.2	-1.1	-1.7	0.13
	Emitter	-1.15	-1.1	-0.9	-1.6	-0.5(mV)
	Collector	-7.5	-7.5	-7.5	-7	-8.8

FERRITE ANTENNA

Hitachi, Ltd.

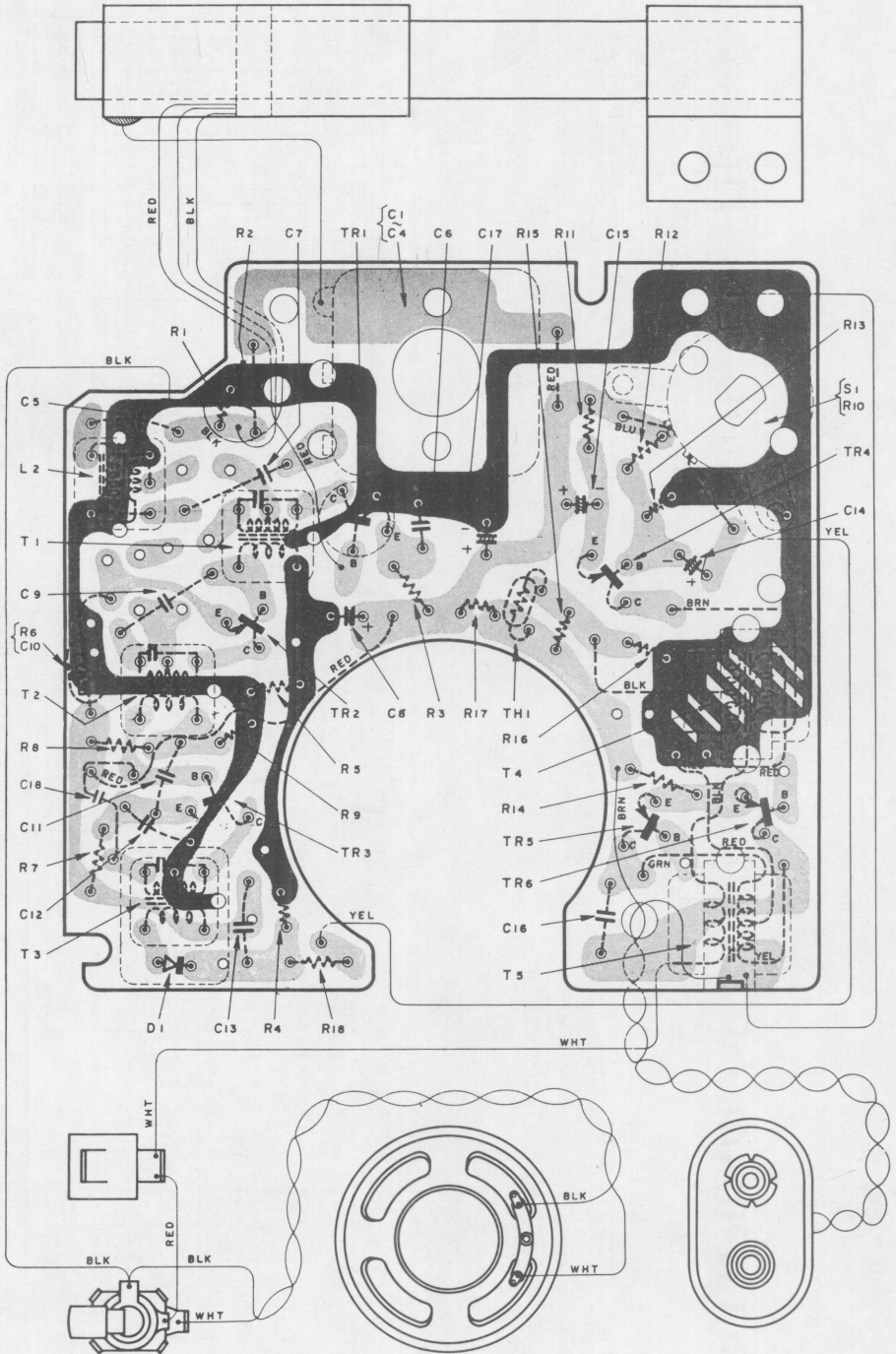


SPI 5 cm PM SPEAKER

Bias voltage: (V)		TR ₁	TR ₂	TR ₃	TR ₄	TR _{5, 6}
	Base	-1.2	-1.2	-1.1	-1.7	0.13
	Emitter	-1.15	-1.1	-0.9	-1.6	-0.5(mV)
	Collector	-7.5	-7.5	-7.5	-7	-8.8

FERRITE ANTENNA

Hitachi, Ltd.



SP1 5 cm PM SPEAKER