

# Insuline Corp. of America

**Model:** UNIVERSAL COMPANION

**Chassis:**

**Year:** Pre June 1932

**Power:**

**Circuit:**

**IF:**

**Tubes:**

**Bands:**

## Resources

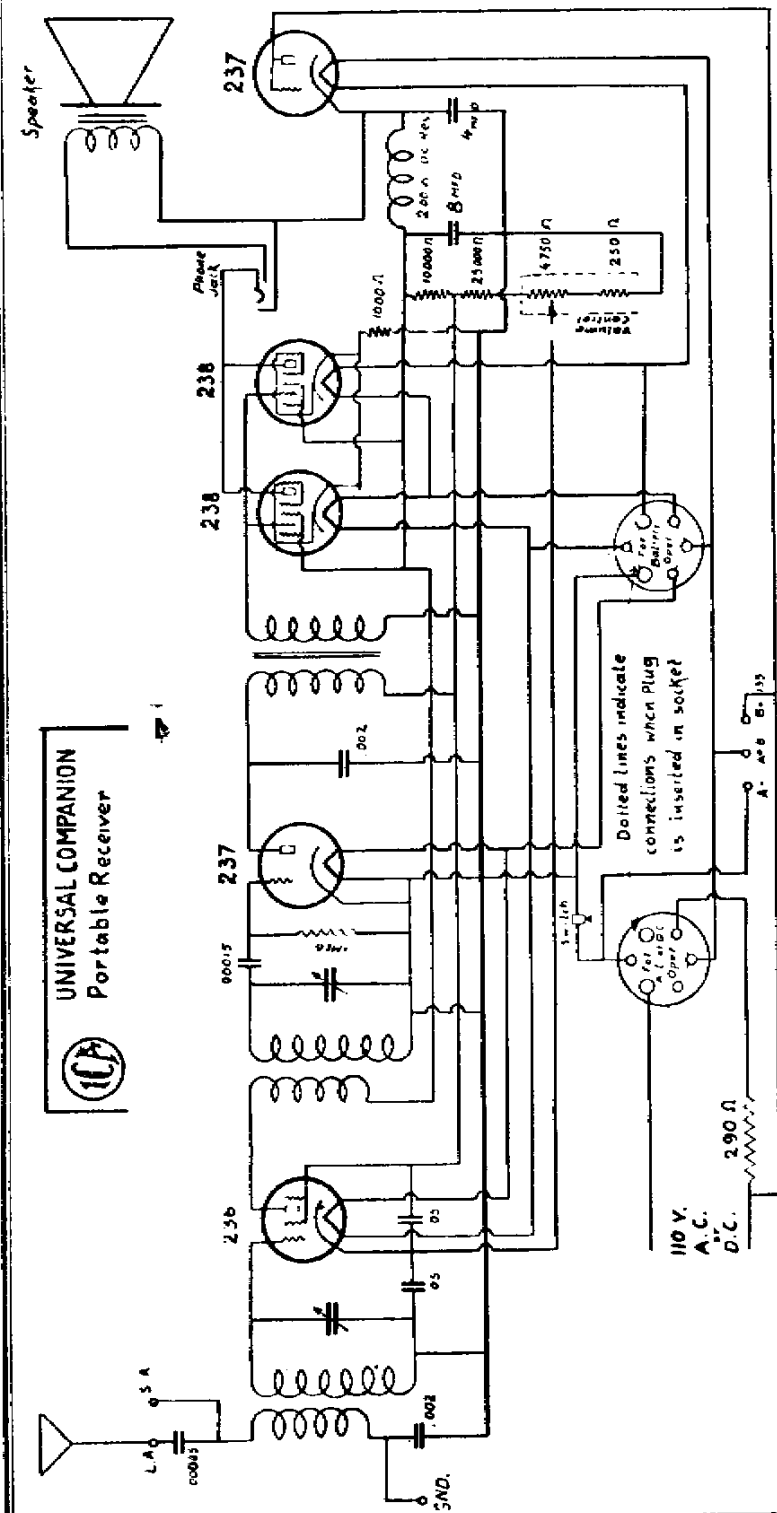
[Riders Volume 2 - INSULINE 2-8](#)

[Riders Volume 2 - INSULINE 2-9](#)

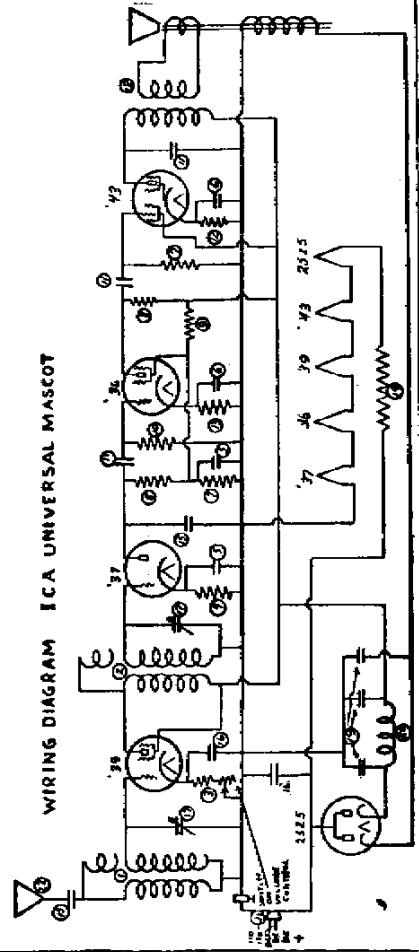
MODEL Universal Companion  
AC-DC-Battery  
Portable

INSULINE CORP. OF AMERICA

MODEL Universal Mascot  
AC-DC



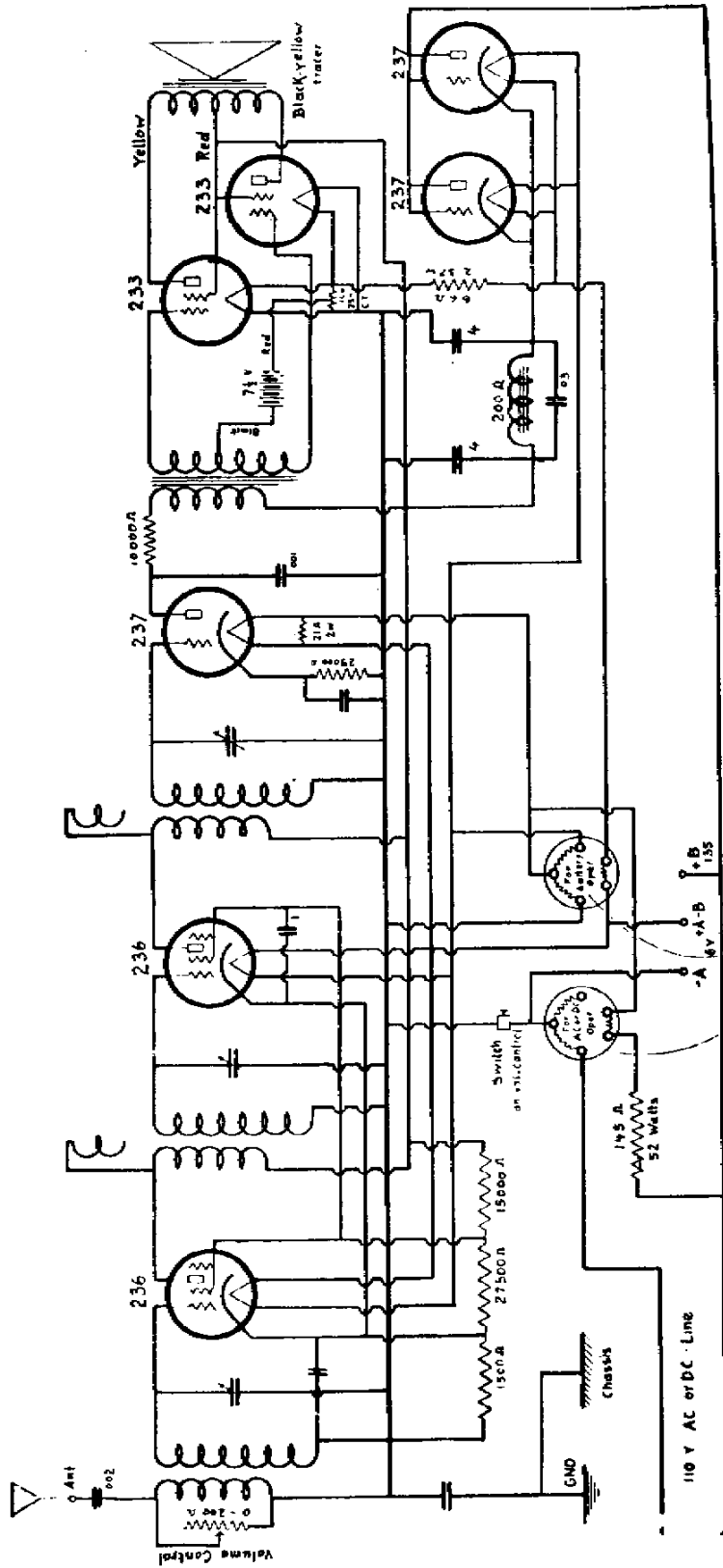
- #3 300-300,000 ohms
- #4 30,000 ohms
- #5 .25 mfd 200 V.
- #6 5.-5. mfd Electro.
- #7 100,000 ohms
- #8 50,000 ohms
- #9 75,000 ohms
- #10 500,000 ohms
- #11 .02 mfd 200 V
- #12 600 ohms
- #13 2000 ohms
- #14 170 ohms
- #15 .002 mfd
- #16 .1 mfd 200 V
- #17 .00035 mfd
- #19 8.-8.-4. mfd
- #20 330 ohm choke



WIRING DIAGRAM ICA UNIVERSAL MASCOT

INSULINE CORP. OF AMERICA

MODEL Universal Companion  
AC-DC-Battery  
Portable (Revised)



NEW 7 TUBE UNIVERSAL  
COMPANION  
PORTABLE RECEIVER

Type	AC-DC-Batt	Scale
Model	Portable	Checked R.H.S.
Drawn	M.P.	Approved R.H.S.
Date	11/24/31	

Curved lines indicate connections  
when plug is inserted in socket.