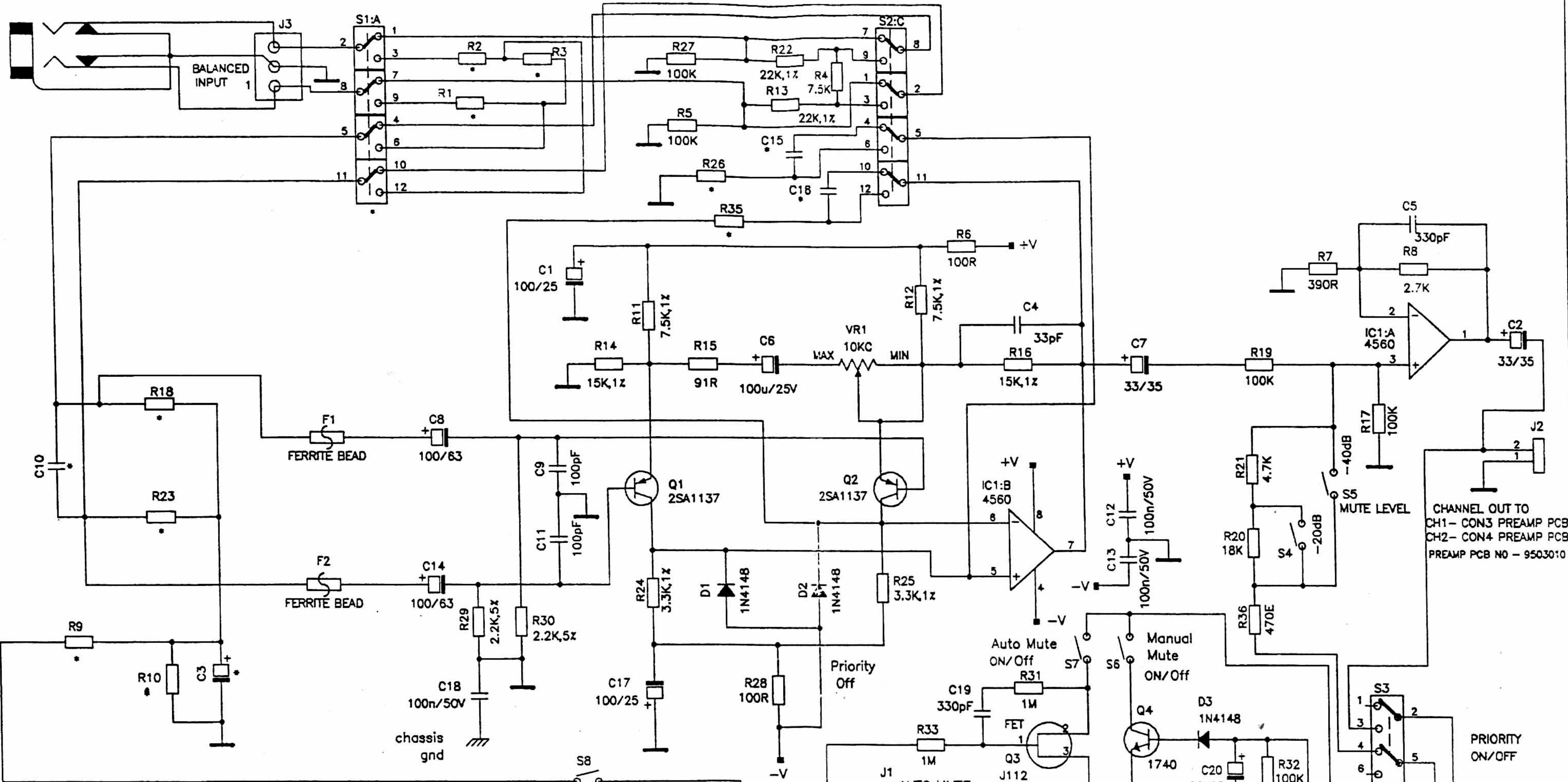


WIRED MIC/LINE JACK
ON BACK PLATE

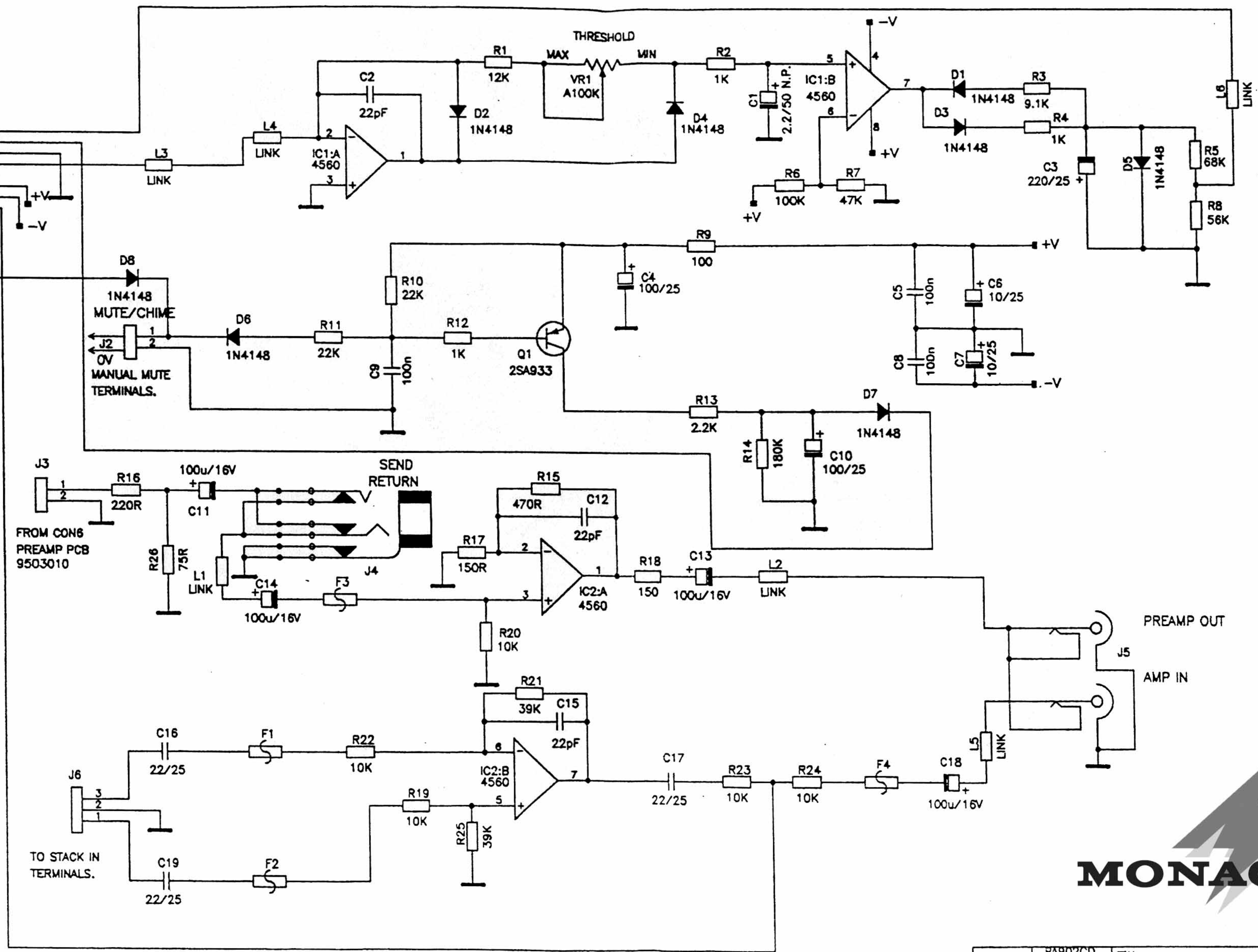


* COMPONENTS ARE NOT USED.
R1,R2,R3,R26,,R35,R18,R23,R9,R10
C3,C15,C16,C10 & S1
S2 IS 2POLE 2 WAY.

- NOTE:-
1. S1 TEL./MIC, LINE SWITCH WIRED IN MIC POSITION.
 2. S2 MIC/LINE SWITCH SHOWN IN MIC POSITION.
 3. S3 PRIORITY ON/OFF SWITCH SHOWN IN OFF POSITION.
 4. S4 -20dB MUTE LEVEL SHOWN IN OFF POSITION.
 5. S5 -40dB MUTE LEVEL SHOWN IN OFF POSITION.
 6. S6 MANUAL MUTE ON/OFF SWITCH SET TO ON POSITION.
& WIRED IN ON POSITION (LINK FITTED)
 7. S7 AUTO MUTE ON/OFF SWITCH SET TO ON POSITION.
& WIRED IN ON POSITION (LINK FITTED)
 8. S8 PHANTOM POWER ON/OFF SWITCH SET TO OFF POSITION.
NOT WIRED (OFF POSITION, NO LINK FITTED).

PA-902CD





PA-902CD

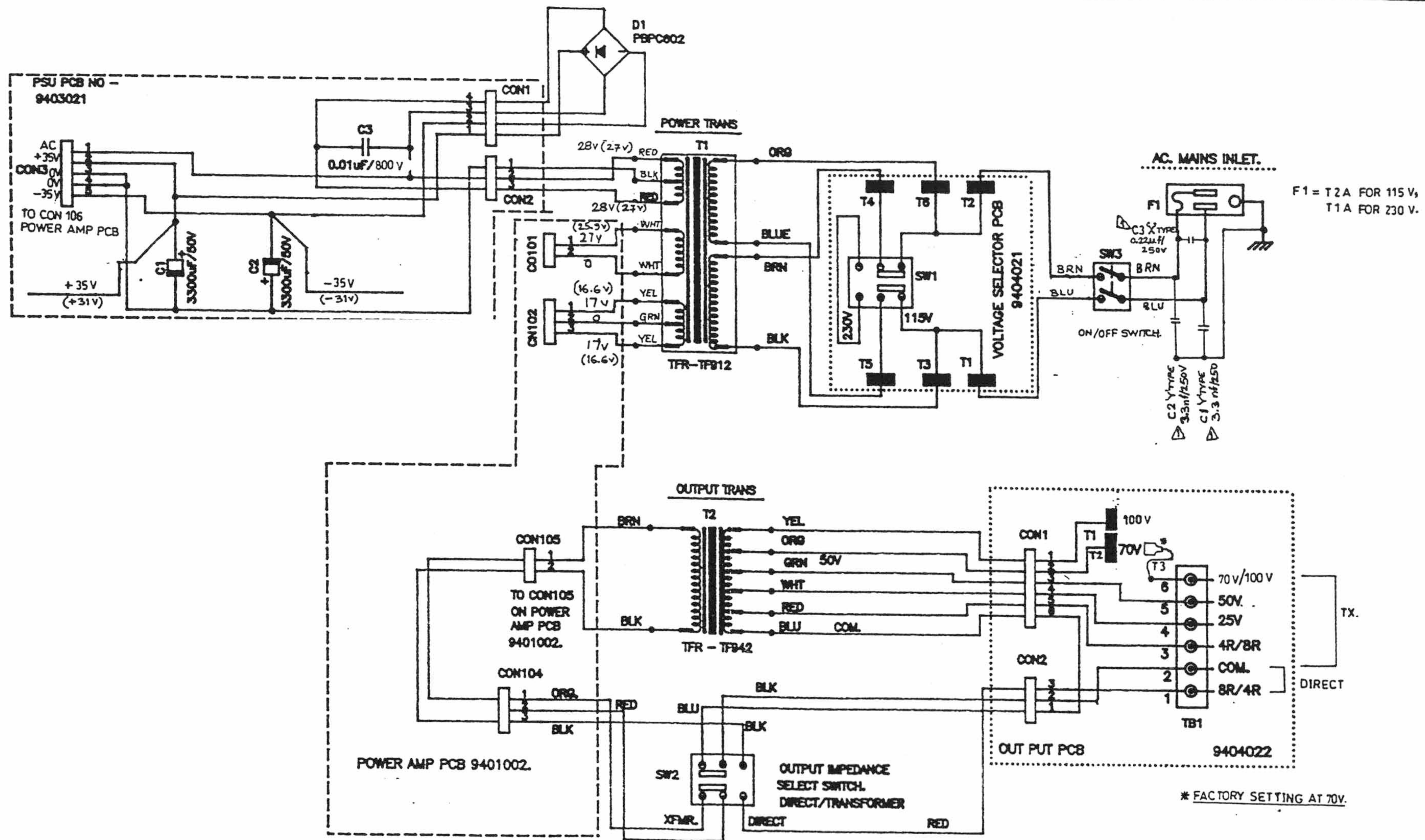
| | | | | | |
|----------|--------------------|----------|----------|------------------------|--|
| MODEL | PA902CD | Title | | SCHEMATIC FOR MUTE PCB | |
| PCBNO | 9403017 | Size | Number | Rev | |
| DES' BY | <i>[Signature]</i> | A3 | 9511022 | 0 | |
| CHK' BY | <i>[Signature]</i> | Date | 30.3.96 | Drawn by Surajit | |
| APPD' BY | <i>[Signature]</i> | Filename | MUTE.S01 | Sheet 1 of 1 | |

A

B

C

D



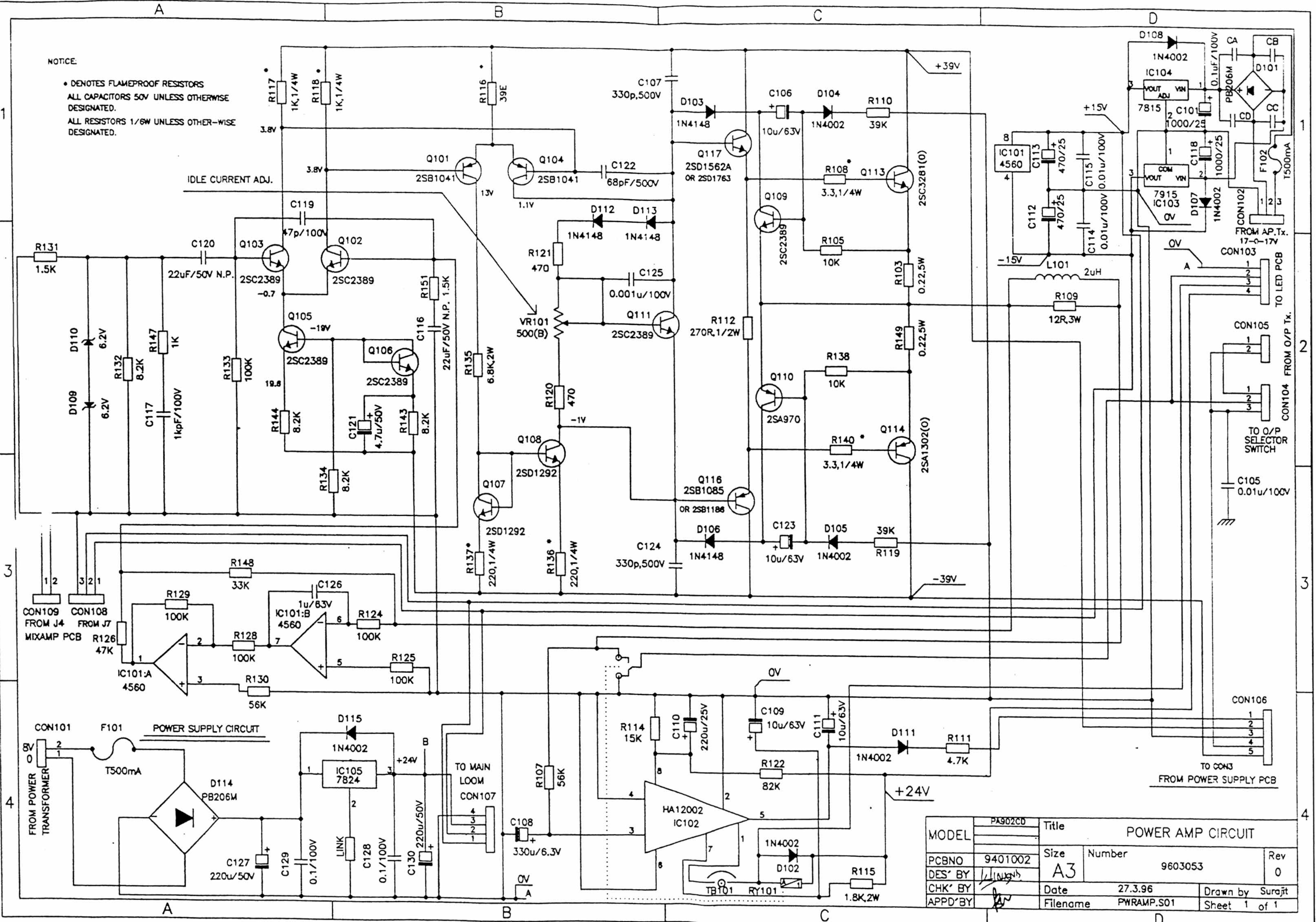
NOTE:- 1. SW1 SHOWN IN 115V
2. SW2 SHOWN IN DIRECT MODE.
3. SW3 SHOWN IN OFF POSITION.
4.() INDICATES F.L. VOLTAGES

PA-902CD

| | | | | | |
|-------|---------|----------|--------------------------------|--|--|
| Title | | | CMA 30 POWER SUPPLY CIRCUIT | | |
| Size | Number | Rev | | | |
| A3 | 9403024 | 1 | | | |
| Date | 3.8.94 | Drawn by | Sarajk | | |

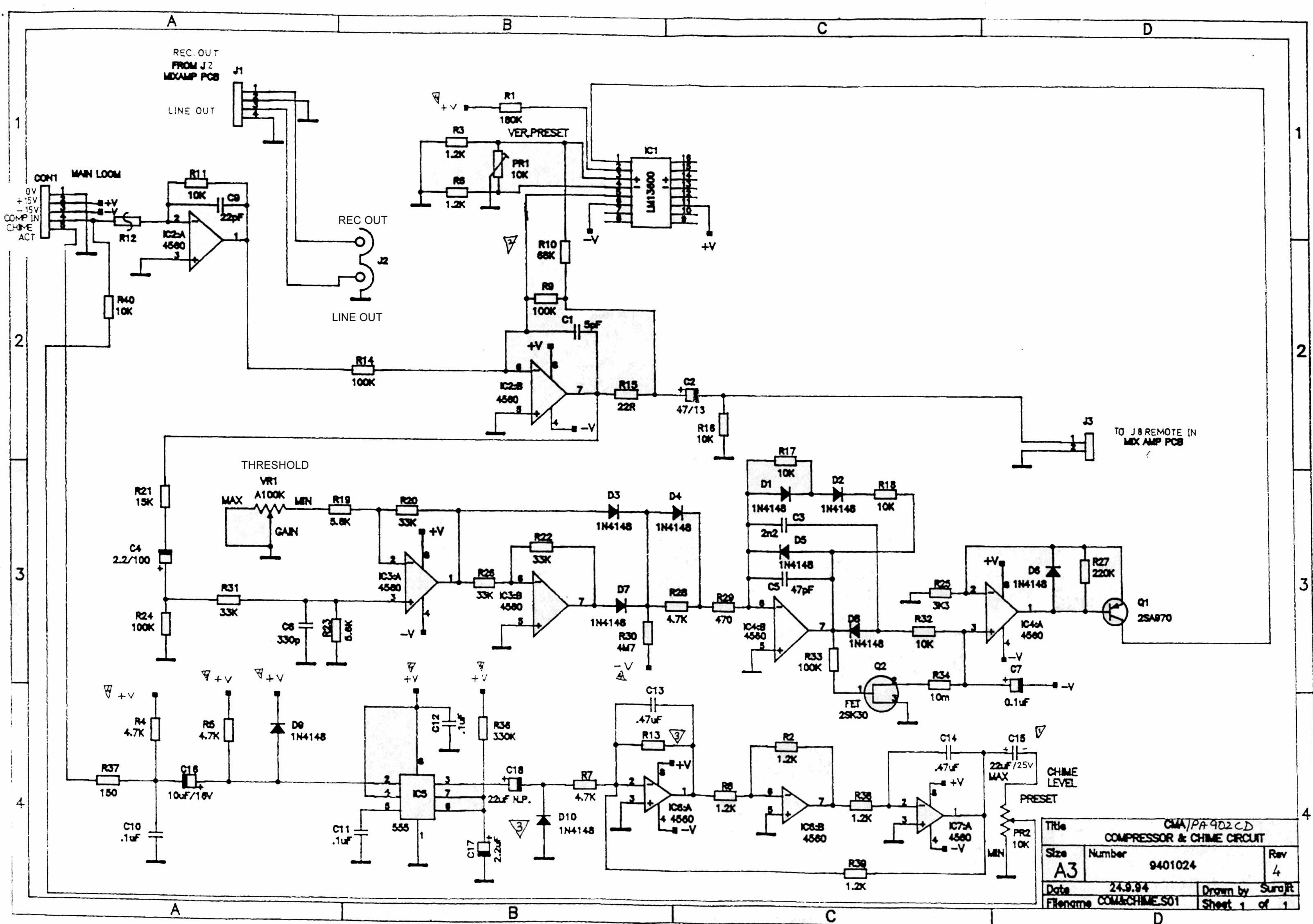
NOTICE:

- DENOTES FLAMEPROOF RESISTORS
- ALL CAPACITORS 50V UNLESS OTHERWISE DESIGNATED.
- ALL RESISTORS 1/8W UNLESS OTHERWISE DESIGNATED.

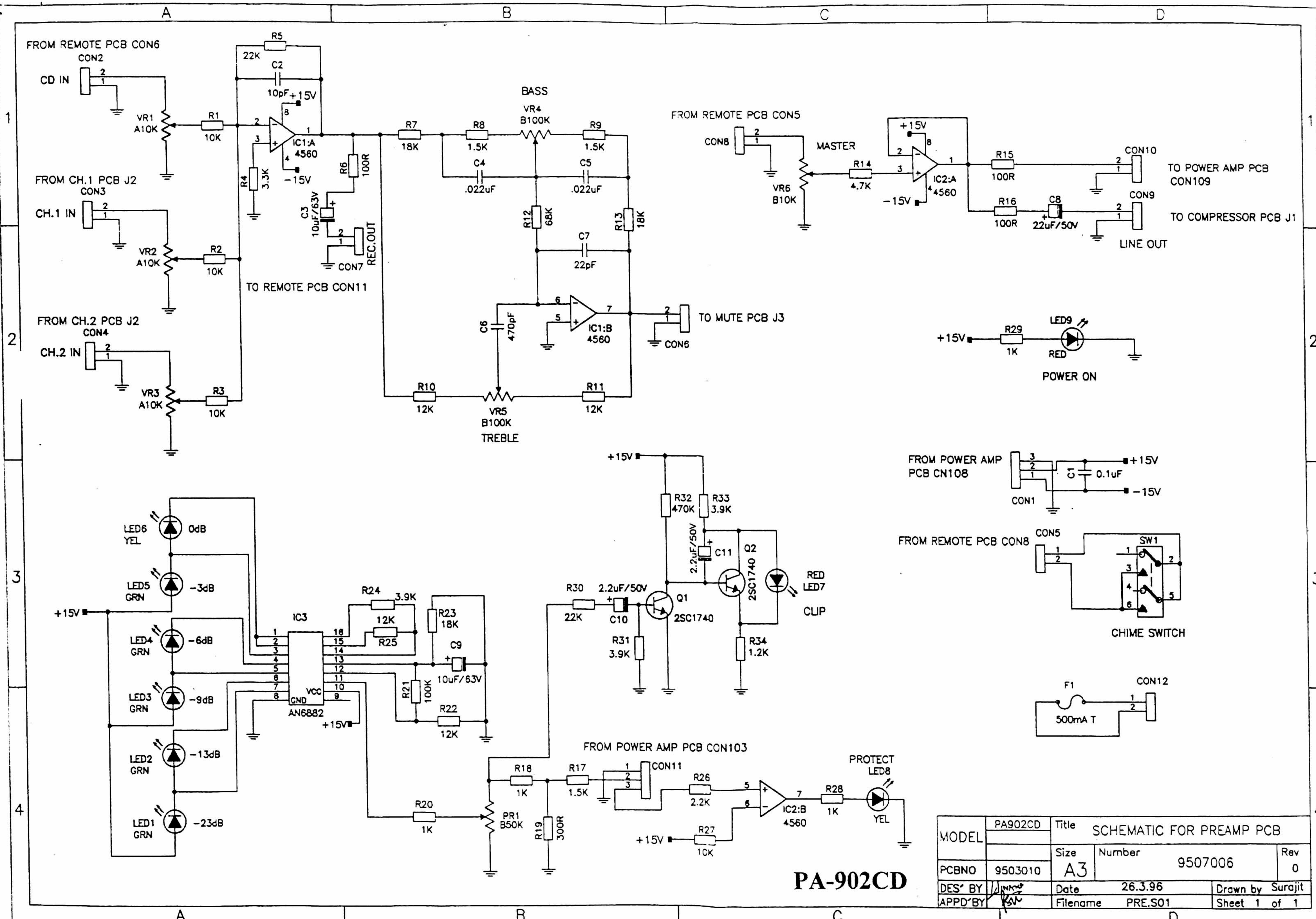


| | | | | | |
|----------|---------|----------|-------------------|----------|---------|
| MODEL | PA902CD | Title | POWER AMP CIRCUIT | | |
| PCBNO | 9401002 | Size | A3 | Number | 9603053 |
| DES' BY | | Date | 27.3.96 | Drawn by | Surajit |
| CHK' BY | | Filename | PWRAMP.S01 | Sheet | 1 of 1 |
| APPD' BY | | | | | |

PA-902CD

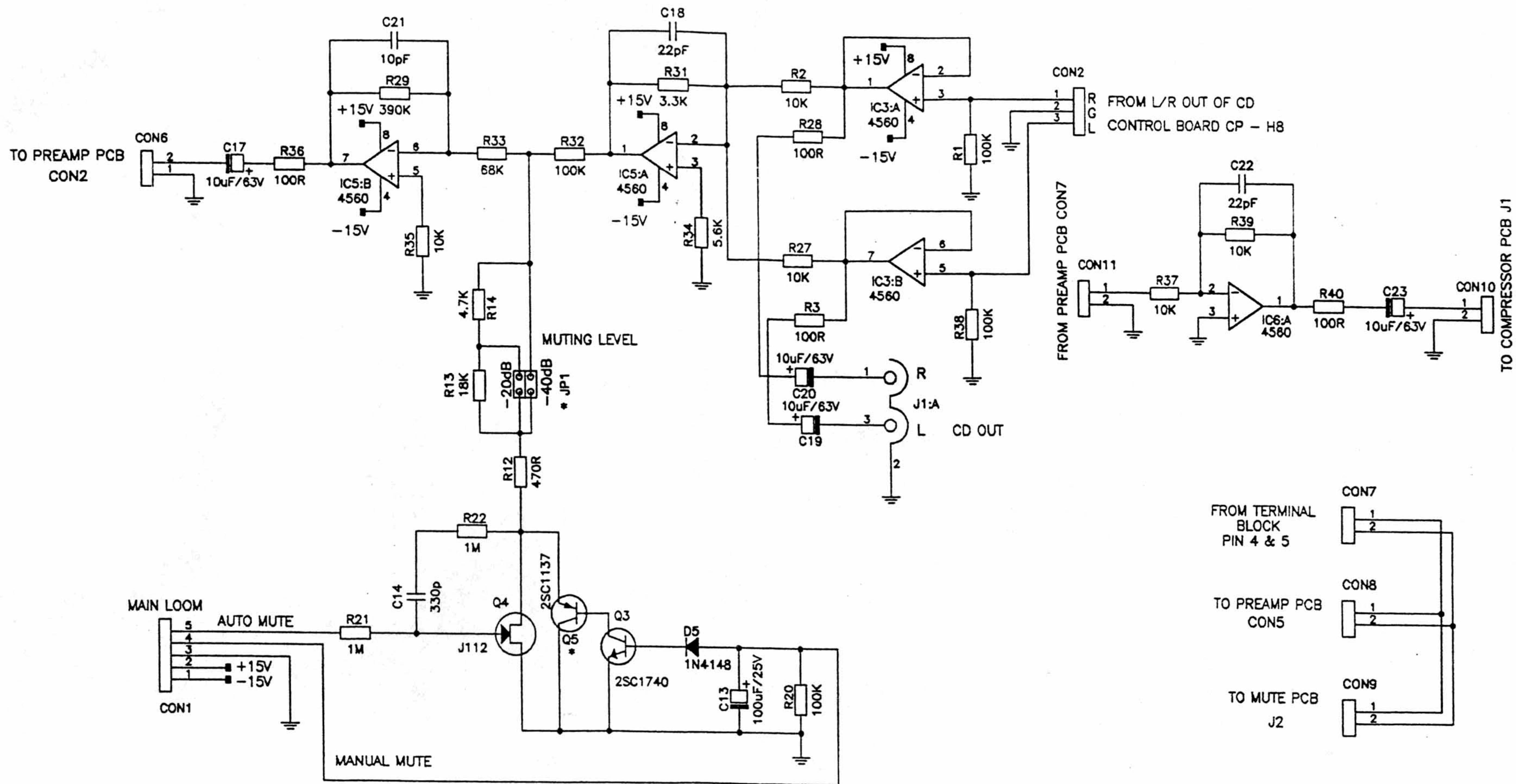


| | | | | | |
|----------|---------------|----------|----------------------------|---|--|
| Title | | | CMA/PA 902 CD | | |
| Size | | | COMPRESSOR & CHIME CIRCUIT | | |
| A3 | Number | 9401024 | Rev | 4 | |
| Date | 24.9.94 | Drawn by | Surojit | | |
| Filename | COM&CHIME_S01 | Sheet | 1 of 1 | | |



PA-902CD

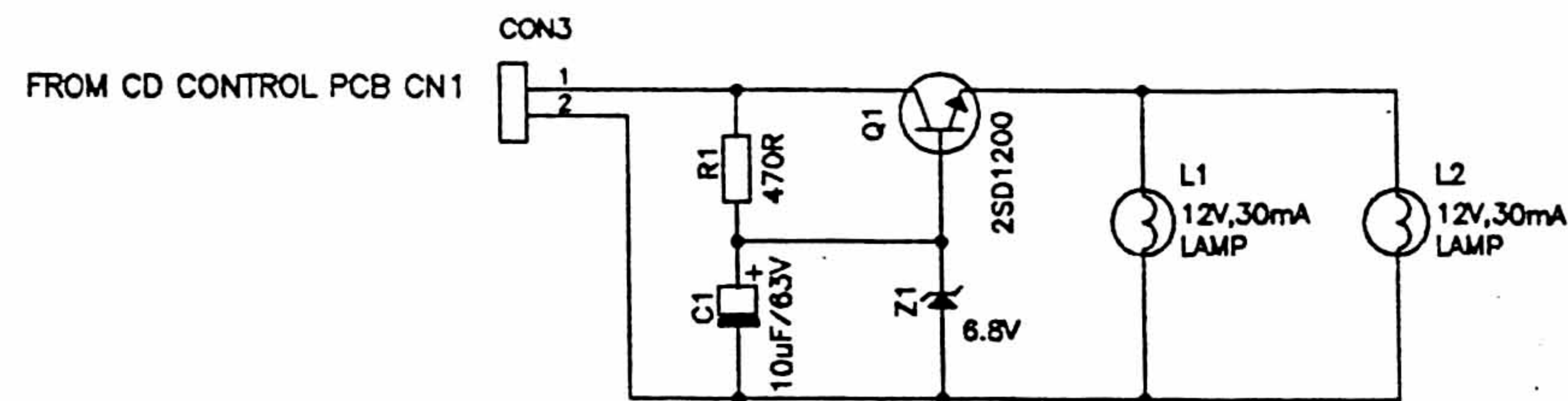
| | | | | |
|----------|---------|----------|--------------------------|--------------|
| MODEL | PA902CD | Title | SCHEMATIC FOR PREAMP PCB | |
| PCBNO | 9503010 | Size | A3 | Number |
| DES' BY | Surajit | Date | 26.3.96 | Rev |
| APP'D BY | Surajit | Filename | PRE.S01 | Sheet 1 of 1 |
| | | | 9507006 | 0 |
| | | Drawn by | Surajit | |



NOTE:-
 * Q5 NOT USED
 SHORT EMITTER - BASE.
 * JP1 (MUTING LEVEL) FACTORY SETTING IS - 40dB

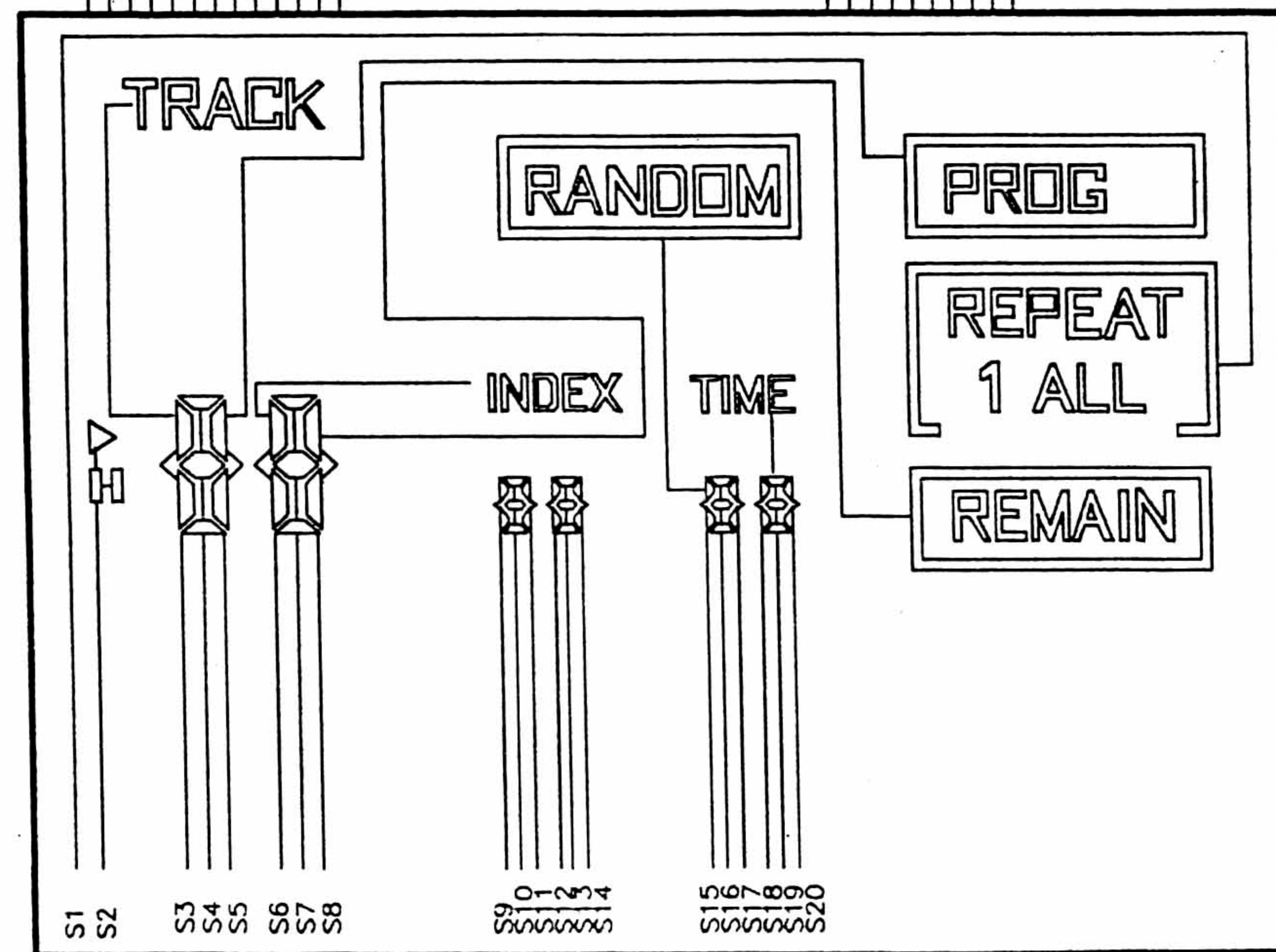
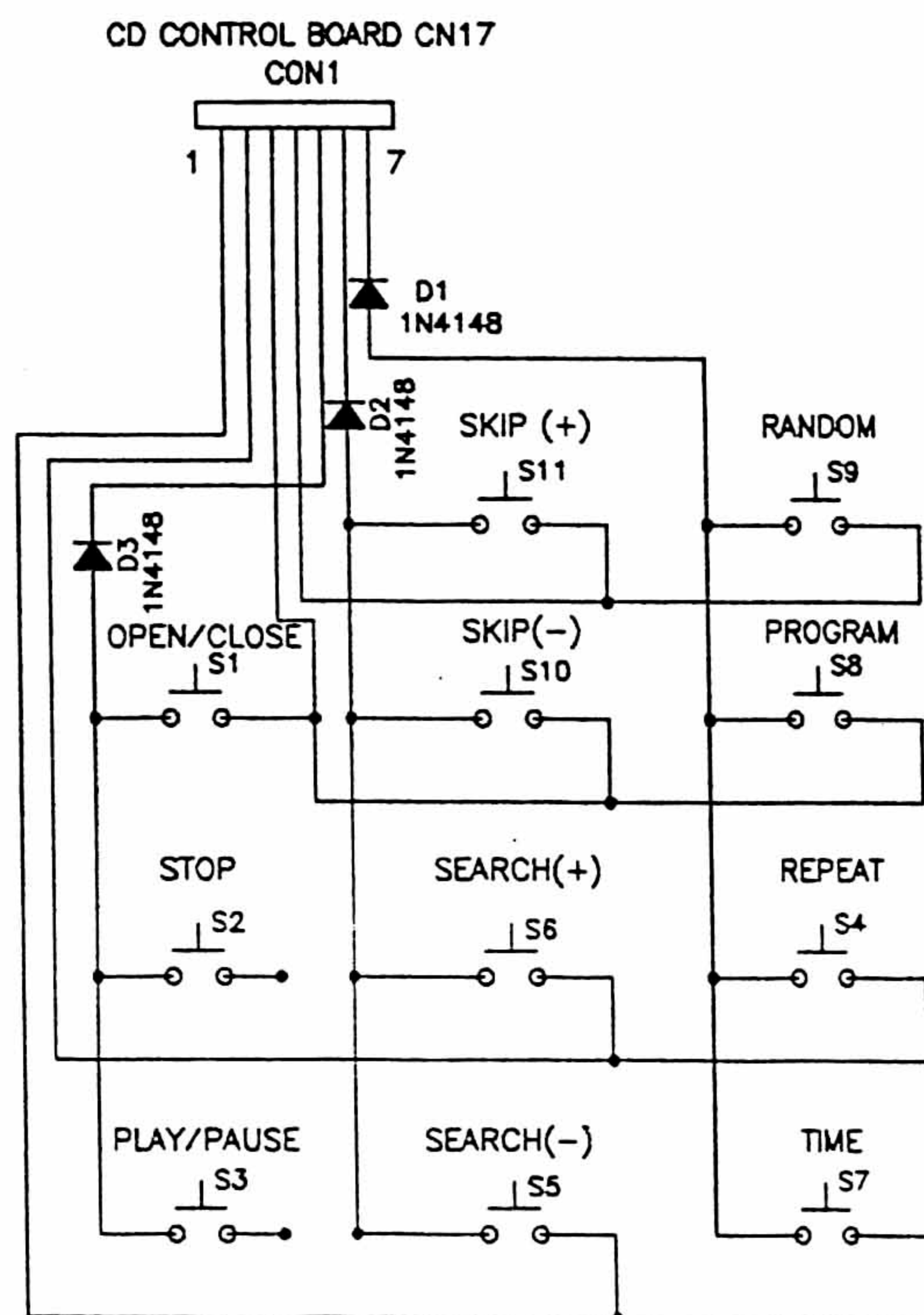
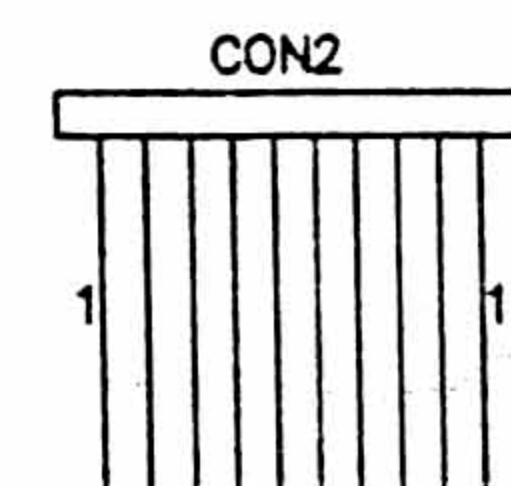
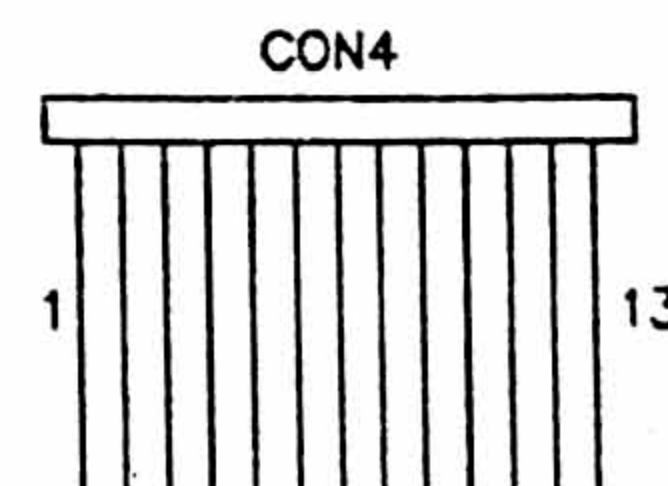
PA-902CD

| | | | | |
|----------|---------|--------------------------------|------------------|-------|
| MODEL | PA902CD | Title SCHEMATIC FOR REMOTE PCB | | |
| PCBNO | 9503011 | Size A3 | Number 9507009 | Rev 0 |
| DES' BY | | Date 10.1.96 | Drawn by Surajit | |
| APPD' BY | | Filename REMOTE.S01 | Sheet 1 of 2 | |



CD CONTROL FROM BOARD CN16

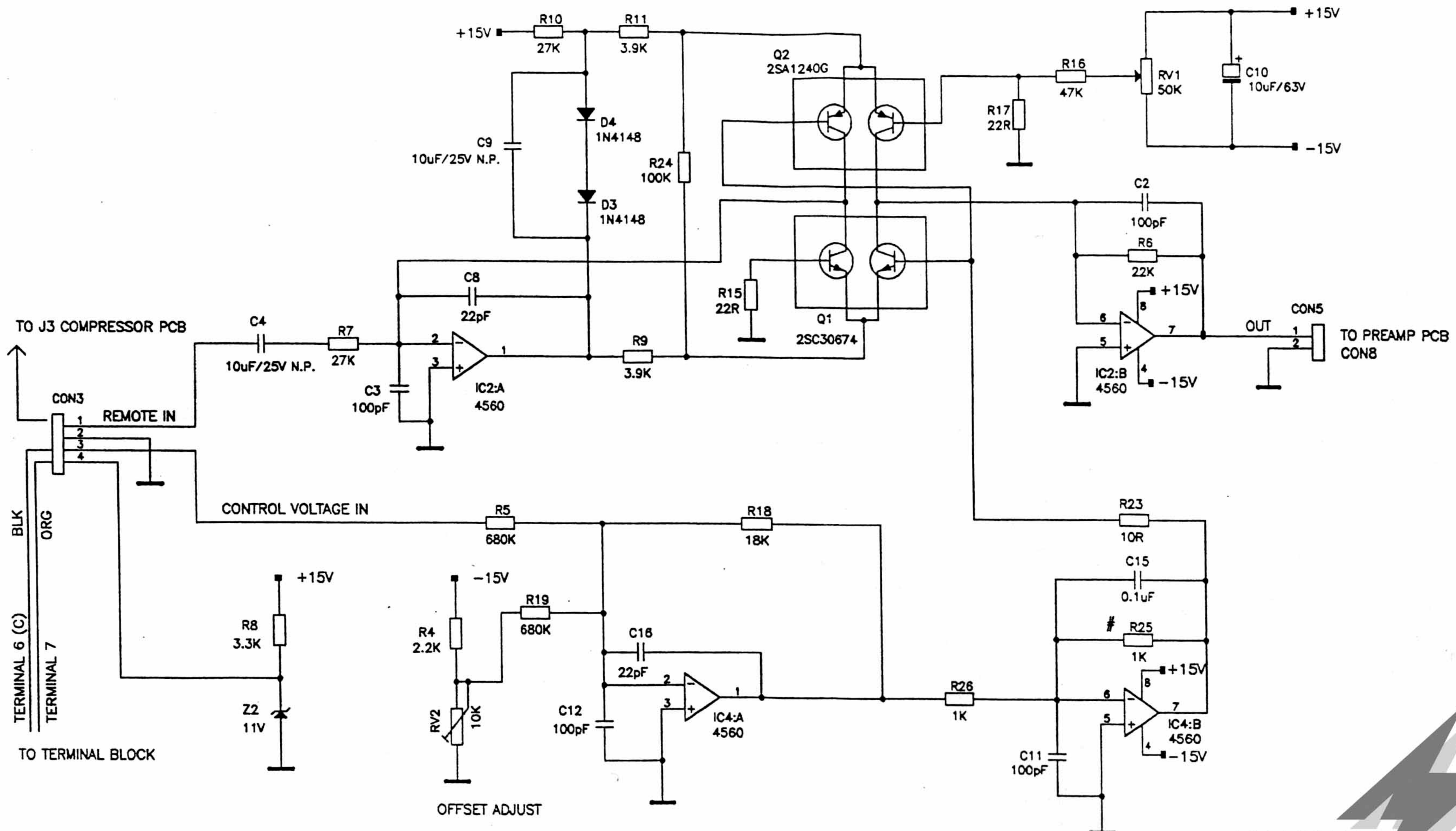
CD CONTROL FROM BOARD CN15



MONACOR®

PA-902CD

| | | | | |
|----------|---------|---|---------|------------------|
| MODEL | PA902CD | Title SCHEMATIC FOR KEY BOARD & DISPLAY PCB | | Rev |
| PCBNO | 9503009 | Size | Number | 0 |
| DES' BY | | A3 | 9507007 | |
| CHK' BY | | Date | 10.1.96 | Drawn by Surajit |
| APPD' BY | | Filename | KBD.S01 | Sheet 1 of 1 |

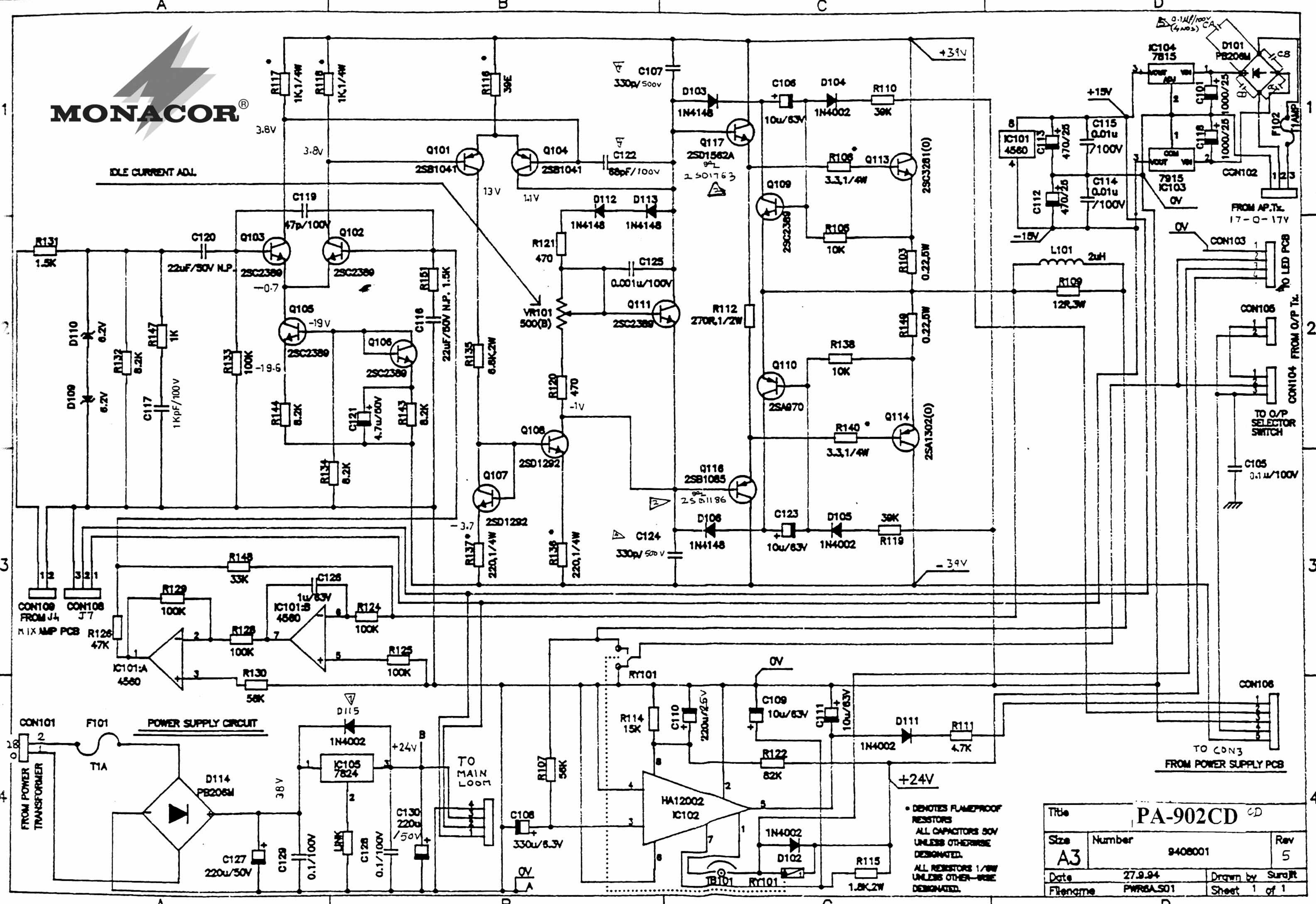


NOTE - # TEMP SENSITIVE RESISTOR (PTC)

PA-902CD

| | | | | | |
|----------|--------------------|----------|--------------------------|----------|---------|
| MODEL | PA902CD | Title | SCHEMATIC FOR REMOTE PCB | | |
| PCBNO | 9503011 | Size | Number | 9507009 | Rev |
| DES' BY | <i>[Signature]</i> | Date | 10.1.96 | Drawn by | Surajit |
| APPD' BY | <i>[Signature]</i> | Filename | REMOTE.S02 | Sheet | 2 of 2 |

MONACOR®



• DENOTES FLAMEPROOF RESISTORS
 ALL CAPACITORS 50V UNLESS OTHERWISE DESIGNATED.
 ALL RESISTORS 1/8W UNLESS OTHERWISE DESIGNATED.

| | | |
|--------------------|-----------------|-------|
| Title PA-902CD CD | | |
| Size A3 | Number 9408001 | Rev 5 |
| Date 27.9.94 | Drawn by SuroJR | |
| Filename PWR6A.S01 | Sheet 1 of 1 | |