

NOTICE

- : XLR CONNECTOR
- : 1/4" PHONE JACK
- : SPEAKER CONNECTOR

AC POWER
120V/220V/230V
240V 50/60Hz
(OPTION)

OPTION:
BINDING POST
TERMINALS

1.6V RMS
+4dB
15Kohm
BALANCED

SUBSONIC
FILTER
12dB/OCT

PROTECTION FEATURES

- TURN-ON CIRCUIT SHOCK
- DC OFFSET
- DC SERVO
- OVER TEMP
- SHORT CIRCUIT
- CURRENT LIMITER
- TURN-ON/TURN-OFF TRANSIENTS

MODE

X-OVER
SELECTOR

- 80Hz
- 100Hz
- 120Hz
- 140Hz

SUB WOOFER
(OPTION)

PROTECTION FEATURES

AUTORAMP

LA

DIF

PWR AMP

CH-A OUTPUT

PROTECTION FEATURES

ACTIVE CLIPS

LA

DIF

PWR AMP

CH-B OUTPUT

PROTECTION FEATURES

SIG AMP

CH-A

CH-B

POWER TRANS

CH-A

CH-B

PROT & PRE

2-SPEED FANS

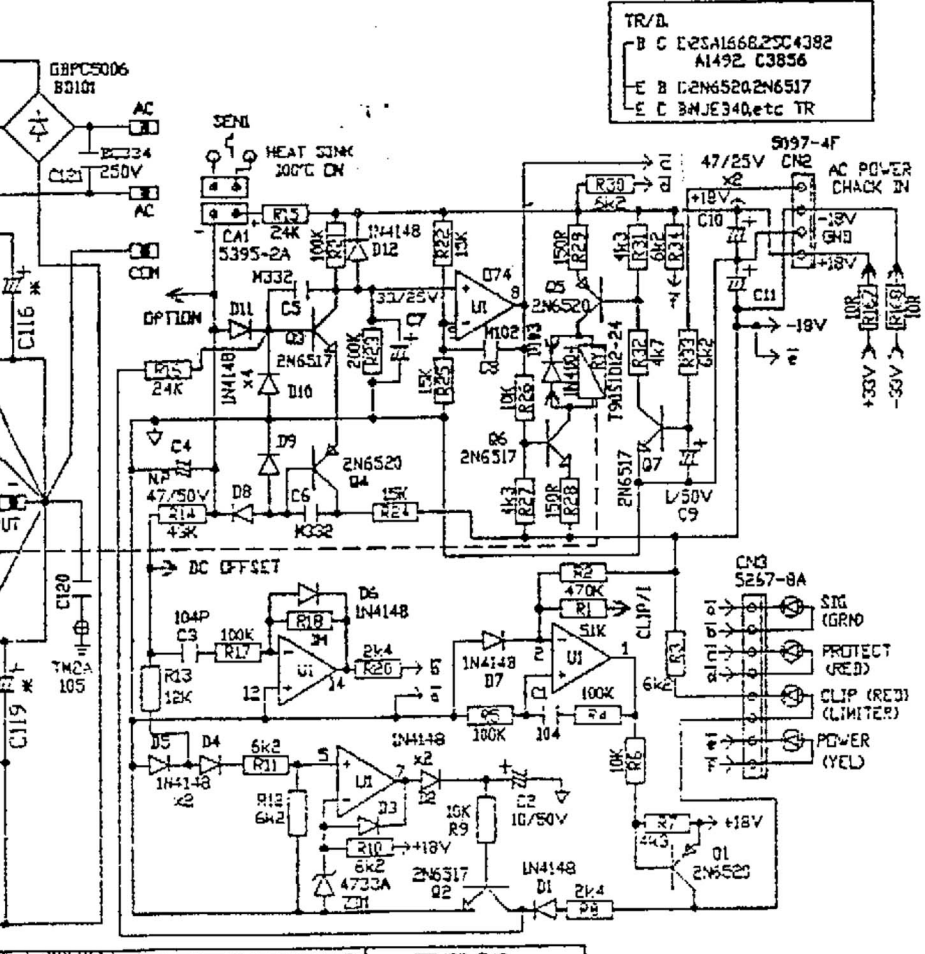
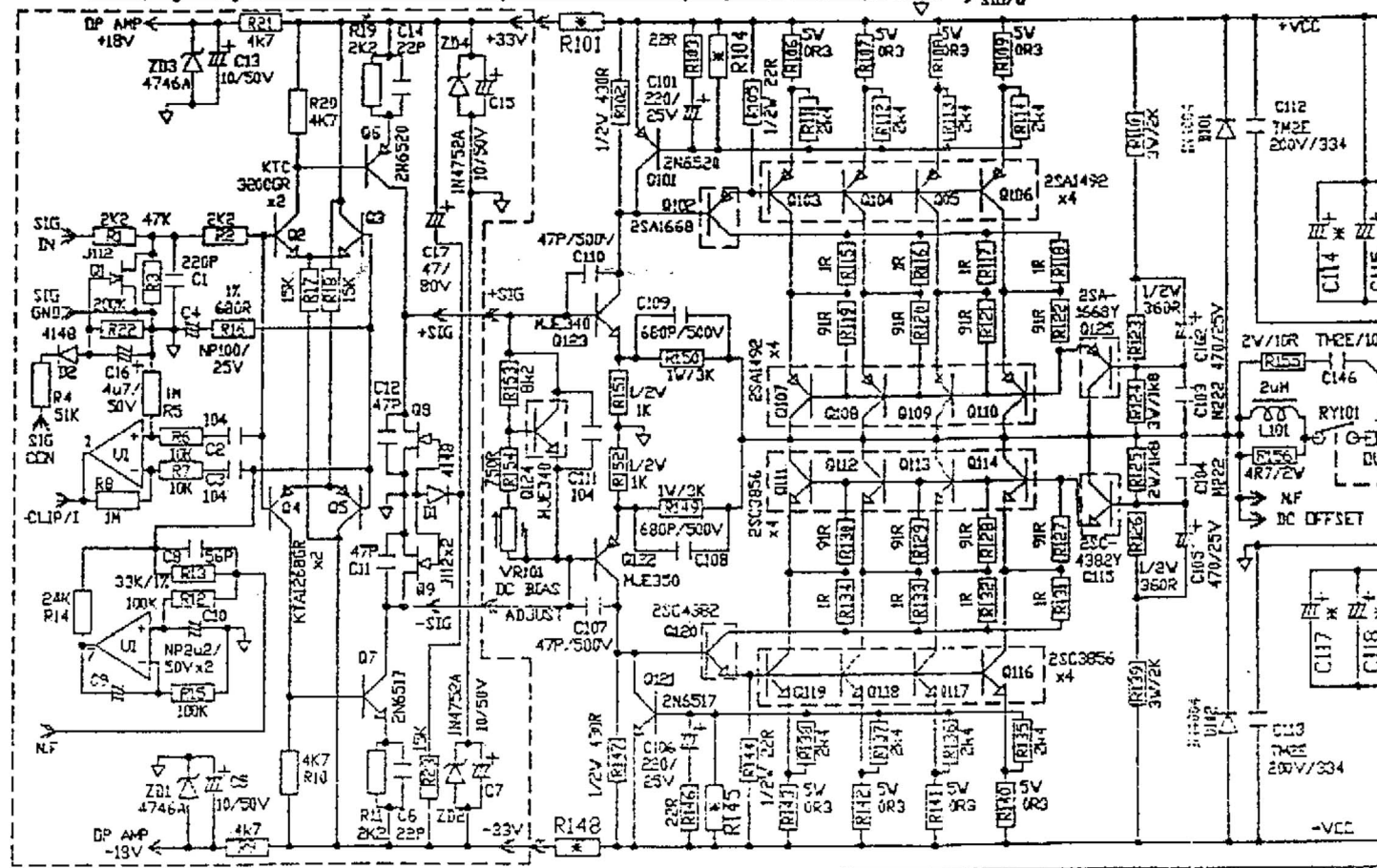
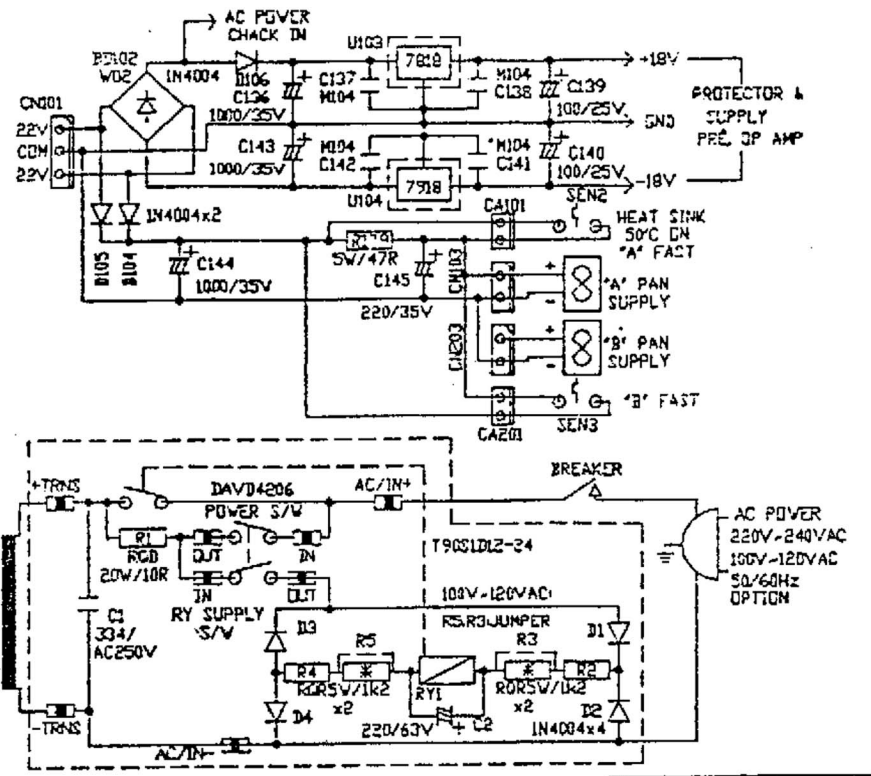
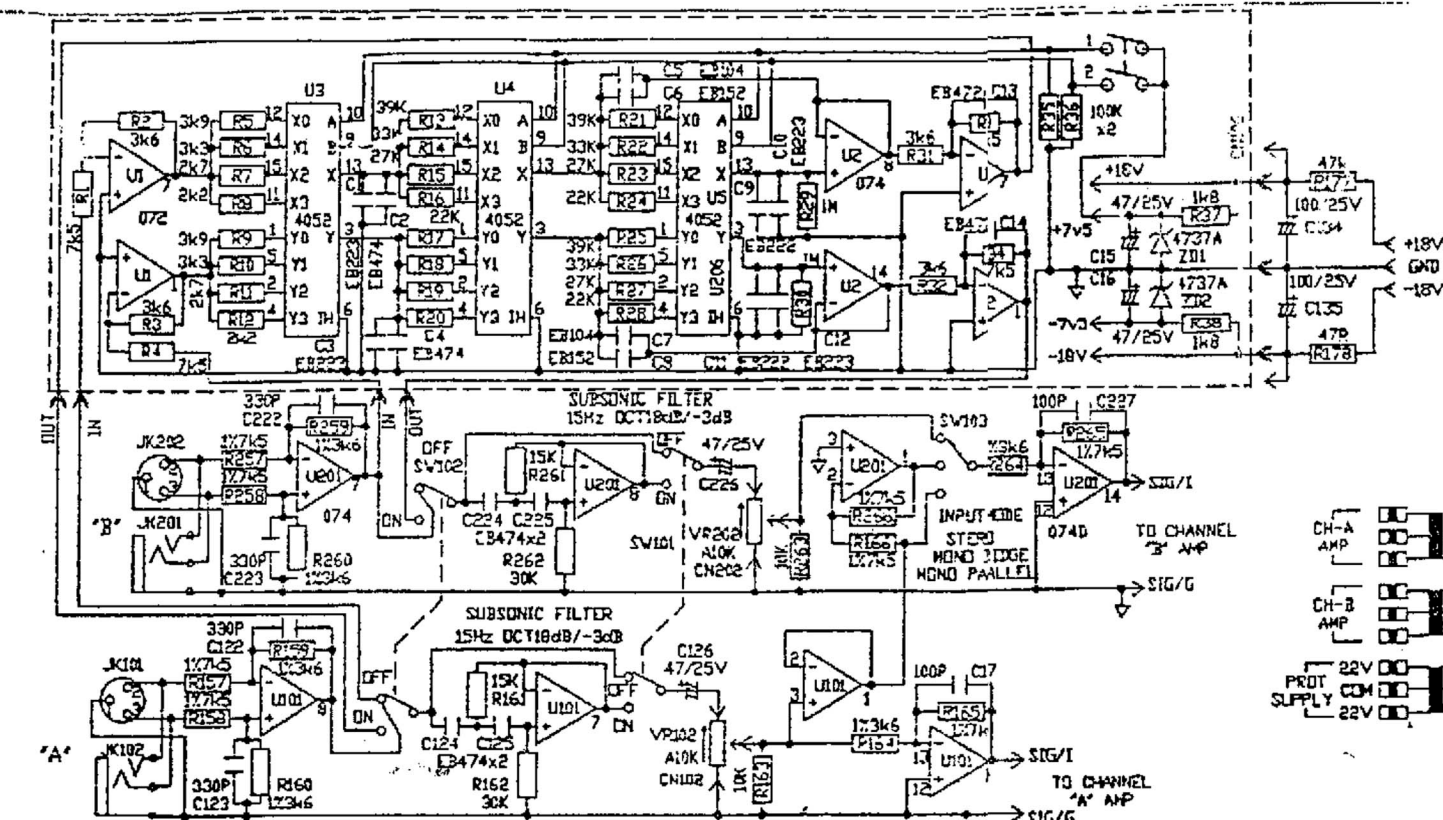
IN-RUSH CURRENT

CIRCUIT BREAKER

POWER SWITCH

AC PWR DETECTOR

PWR INDR



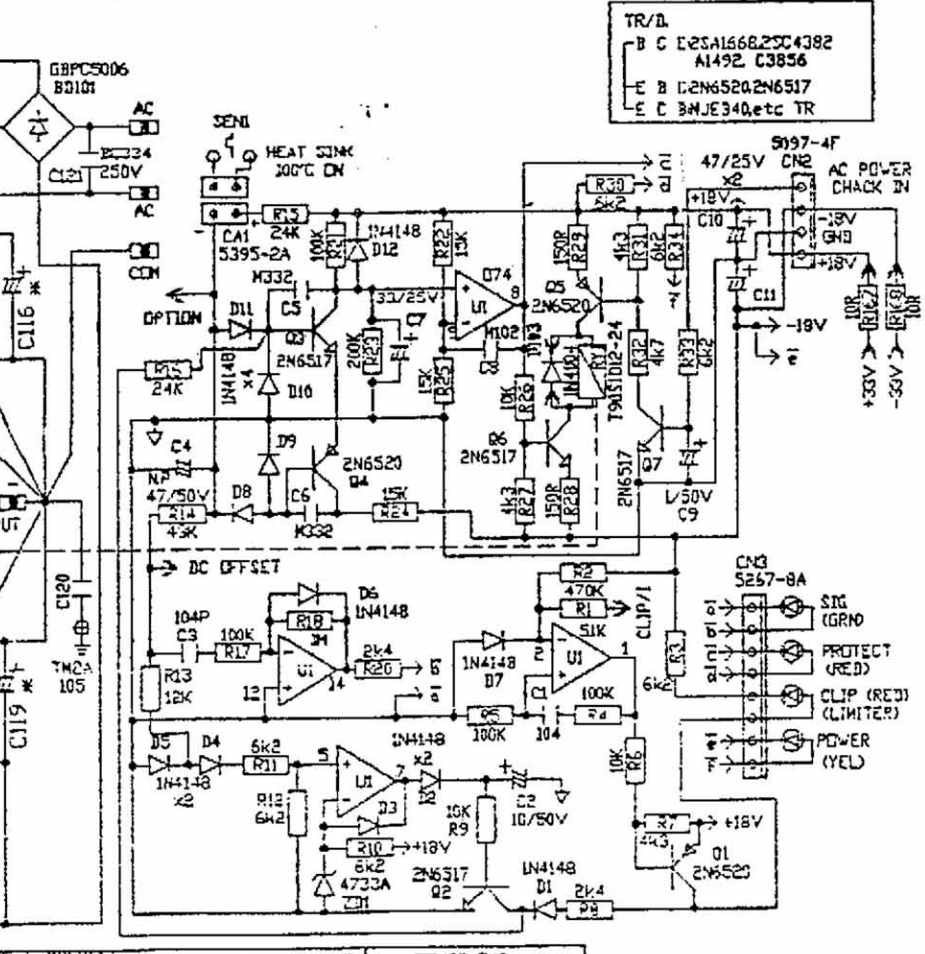
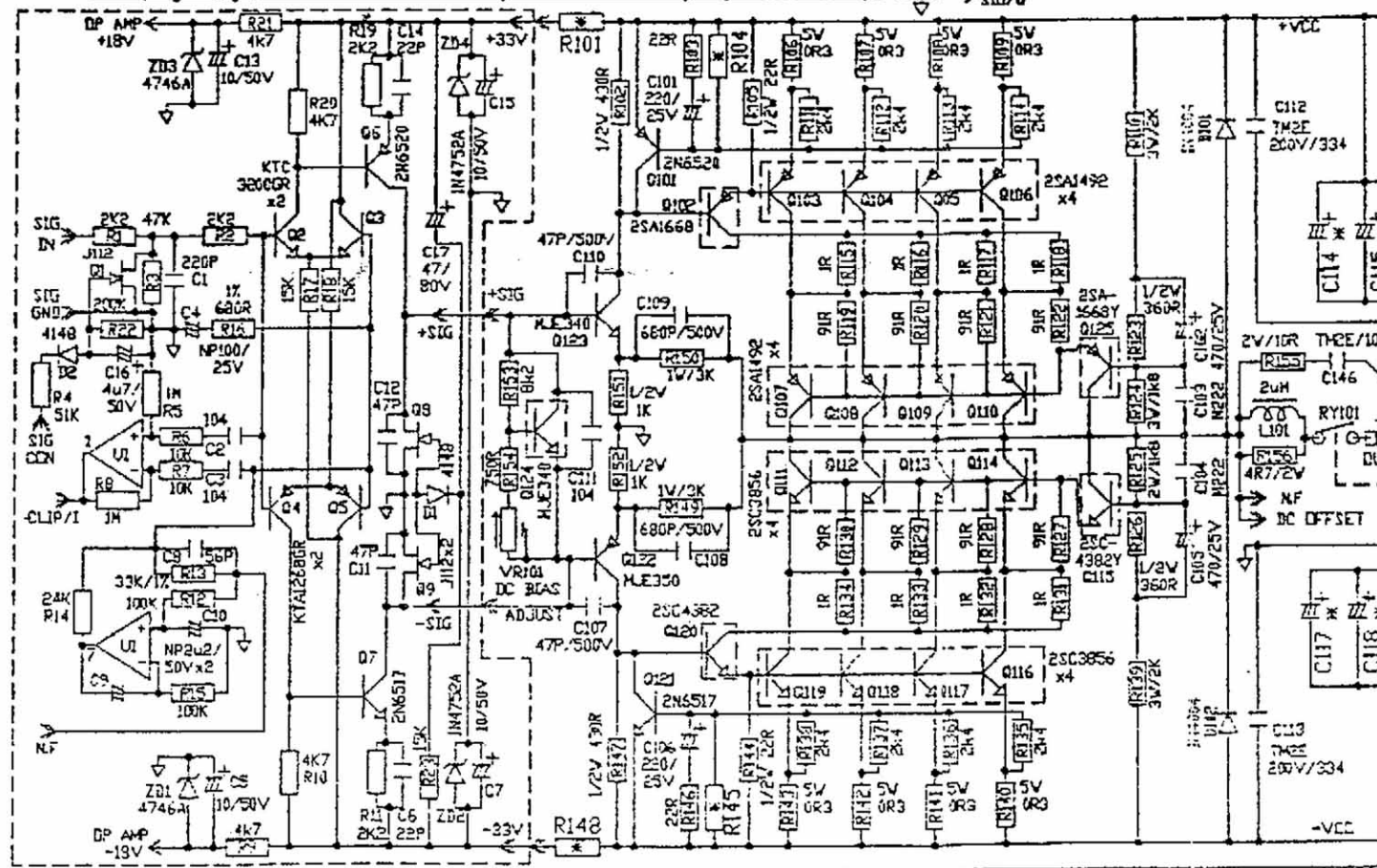
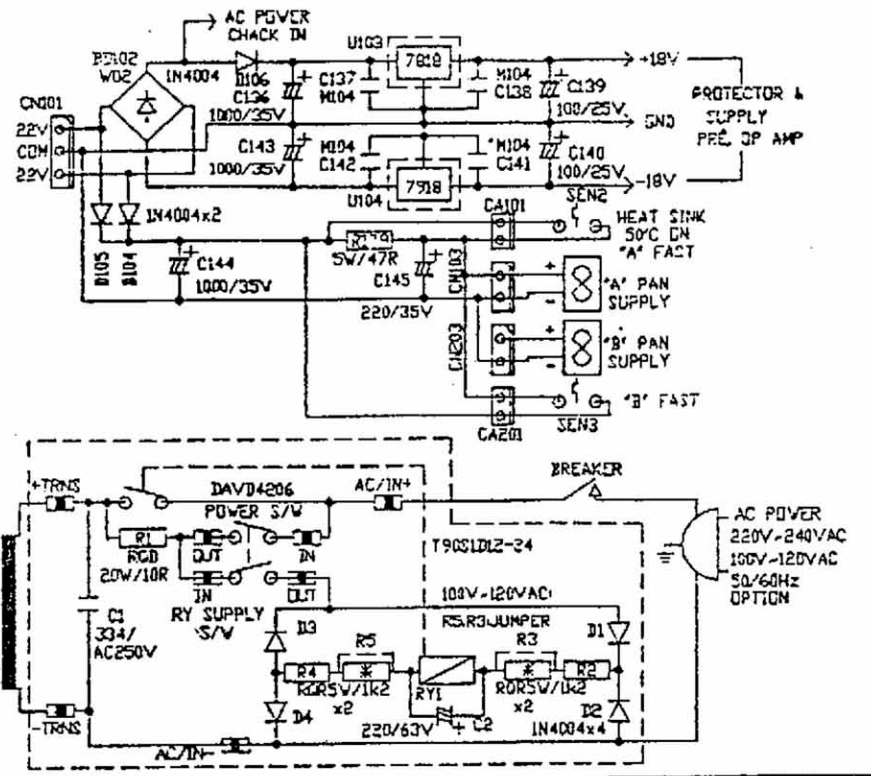
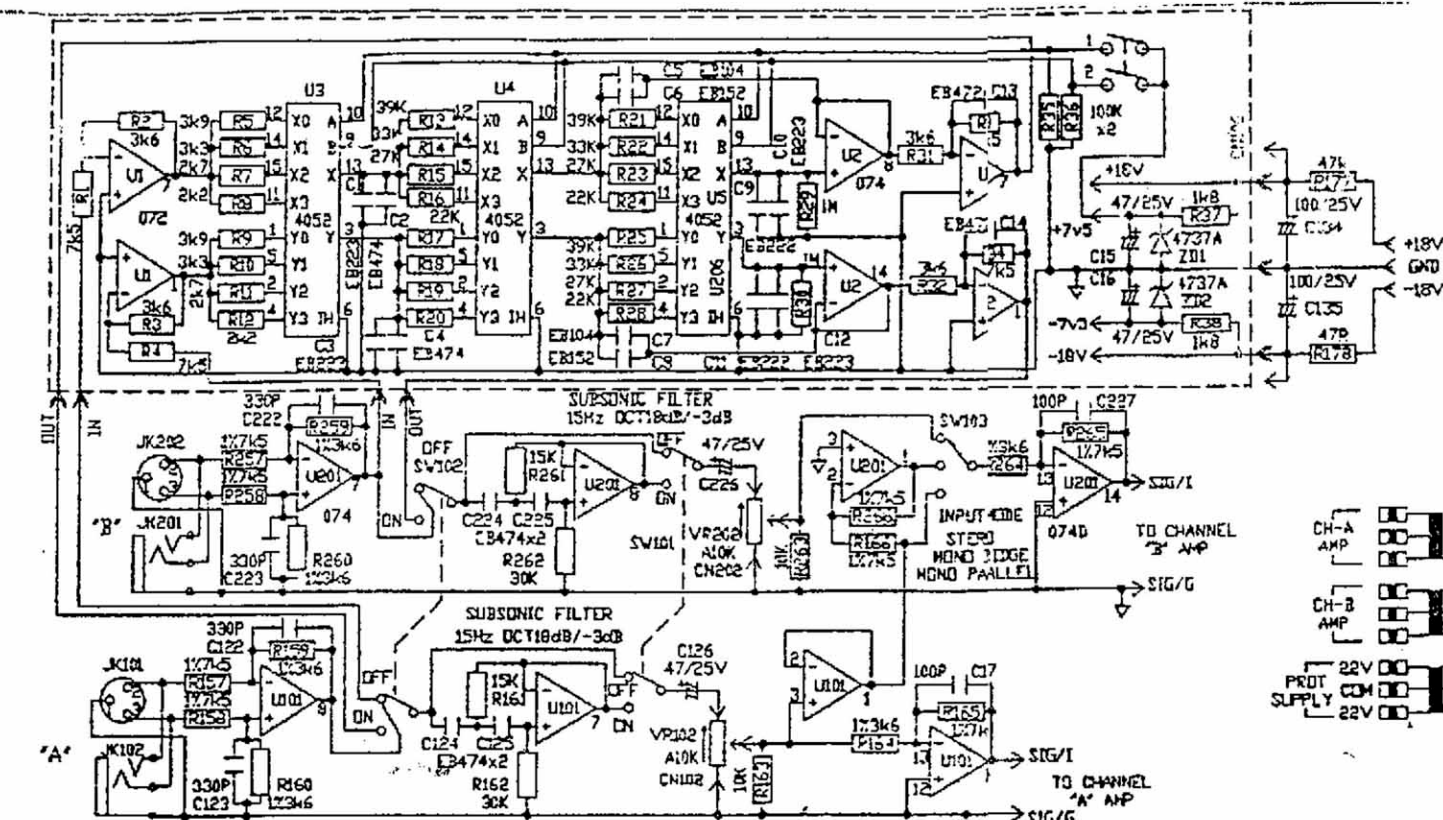
REMARK

	HIGH SIGNAL	TRANSISTOR	RESISTOR	RESISTOR	TR. EMITTER/RECOMMENT	POWER E/C
JAP-1200	(Q104-Q105, Q108, Q109, Q204, Q205, Q208, Q209)	A1492 : 12EA C3856 : 12EA	1K (1/4W)	3W 3K5 (HOR/RES)	5W DR3 : 12EA (R107, R108, R141, R142) (R207, R208, R241, R242)	HC3300/125V : 12EA (C114, C115, C117, C118) (C214, C215, C217, C218)
JAP-1600	(Q104-Q106, Q108-Q110, Q204-Q210, Q216, Q218-Q219)	A1492 : 12EA C3856 : 12EA	1K5 (1/4W)	3W 4K3 (HOR/RES)	5W DR3 : 12EA (R107-R109, R141-R143) (R207-R209, R241-R243)	HC3900/125V : 12EA (C114, C115, C117, C118) (C214, C215, C217, C218)
JAP-2000	(Q103-Q110, Q203-Q210)	A1492 : 12EA C3856 : 12EA	1K5 (1/4W)	3W 5K1 (HOR/RES)	5W DR3 : 12EA (R106-R109, R140-R143) (R206-R209, R240-R243)	HC3300/125V : 12EA (C114-C119, C214-C219)

PROJECT: AUDIO PRECISION POWER AMP (AP-1600)

TITLE: SCHEMATIC

DE: SC



REMARK

	HIGH SIGNAL TRANSISTOR	DRIVER TRANSISTOR	TR. EMITTER/RECOMMENT	POWER E/C
JAP-1200	A1492 : 12EA (Q104-Q105, Q108, Q109, Q204, Q201, Q208, Q209)	1K (1/4W)	5V DR3 : 12EA (R107, R108, R141, R142)	HC3300/125V : 12EA (C114, C115, C117, C118)
JMC-1200	C3856 : 12EA (Q112, Q113, Q117, Q118, Q212, Q213, Q217, Q218)	1K5 (1/4W)	5V DR3 : 12EA (R107, R109, R141, R143)	HC3300/125V : 12EA (C114, C115, C117, C118)
JAP-1600	A1492 : 16EA (Q104-Q106, Q108-Q110, Q204-Q210)	1K5 (1/4W)	5V DR3 : 16EA (R106, R109, R140, R143)	HC3300/125V : 16EA (C114, C115, C214, C218)
JMC-1600	C3855 : 16EA (Q111-Q113, Q117-Q119, Q211-Q217, Q219)	1K5 (1/4W)	5V DR3 : 16EA (R106, R109, R140, R143)	HC3300/125V : 16EA (C114, C119, C214, C219)

PROJECT: AUDIO PRECISION POWER AMP (AP-1600) DE: SC

TITLE: SCHEMATIC