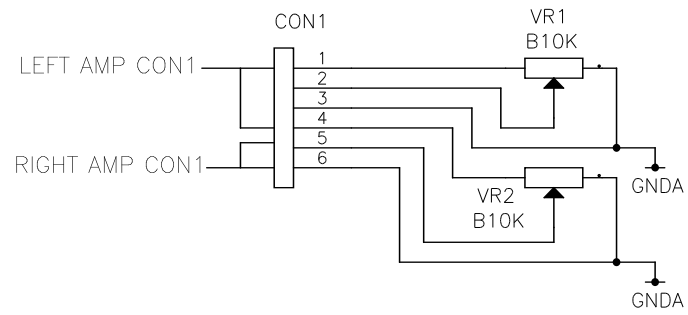
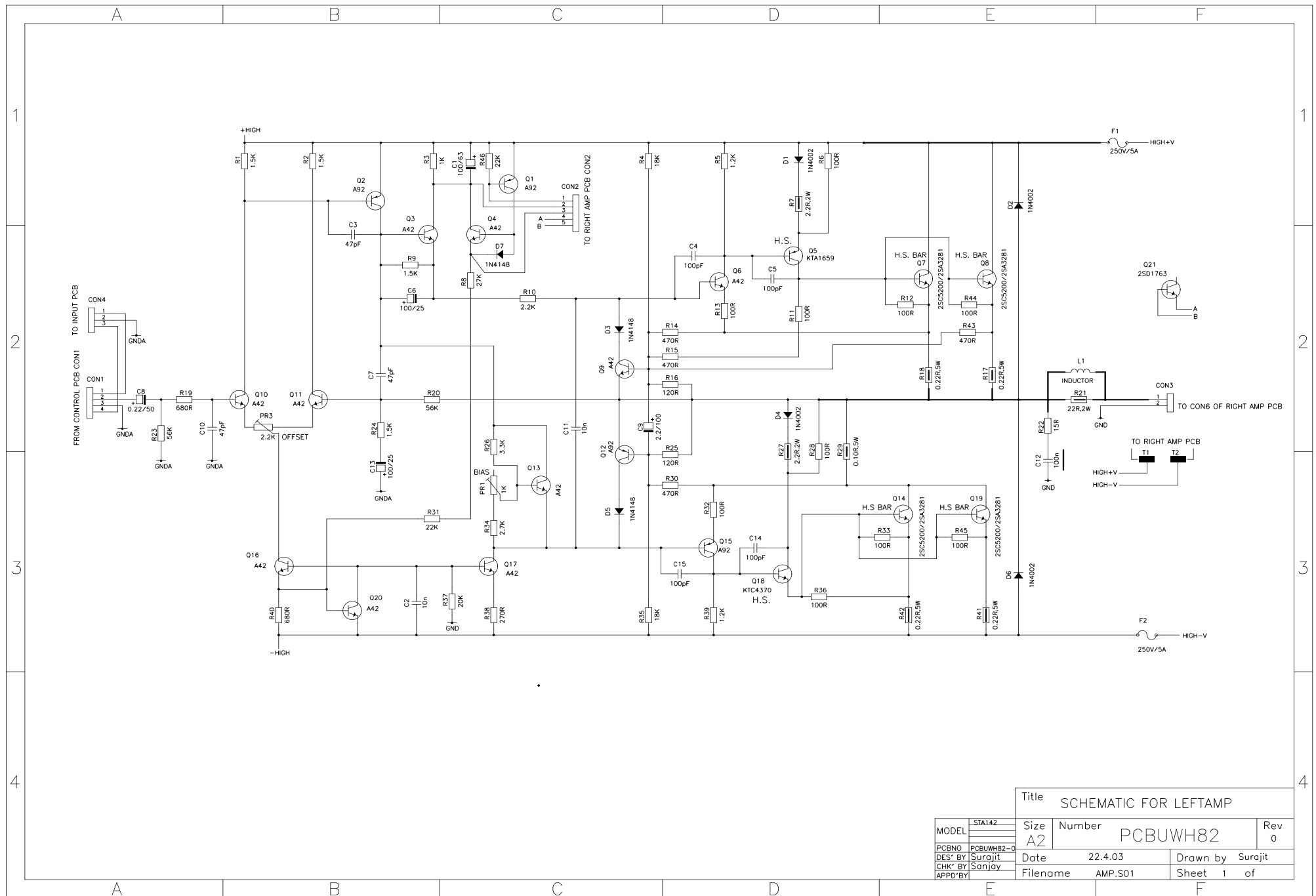


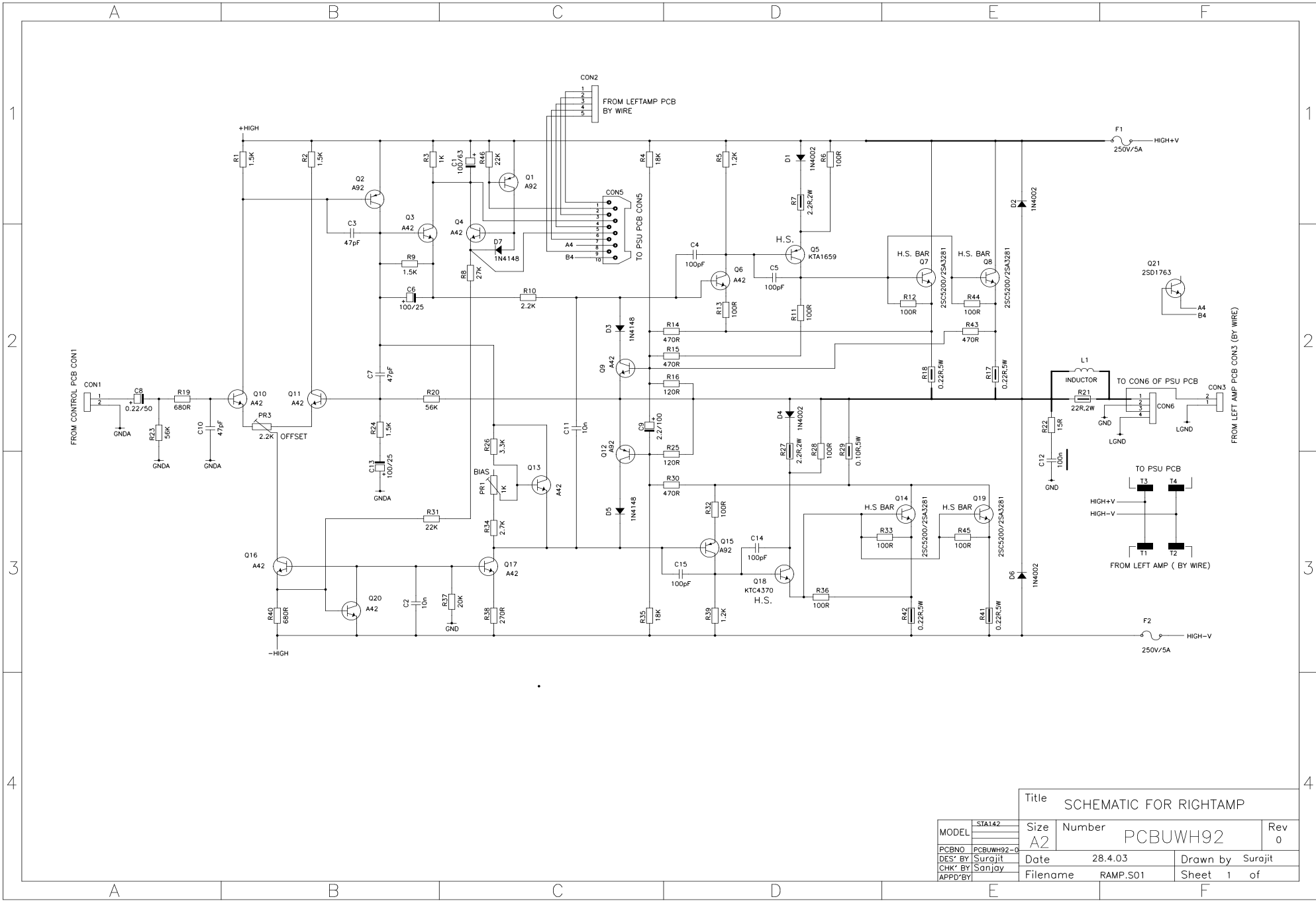
MODEL	STA142	Title SCHEMATIC FOR INPUT PCB		
PCBNO	PCBUWJ02-0	Size A4	Number PCBUWJ02	Rev 0
DES' BY	Surajit	Date 29.4.03	Drawn by Surajit	
CHK' BY	Sanjay	Filename INP.S01	Sheet 1 of	
APPD'BY				



MODEL	STA142	Title SCHEMATIC FOR CONTROL PCB		
PCBNO	PCBUWJ22-0	Size A4	Number PCBUWJ22	Rev 0
DES' BY	Surajit	Date 28.4.03	Drawn by Surajit	
CHK' BY		Filename CONTROL.S01	Sheet 1 of	
APPD'BY				

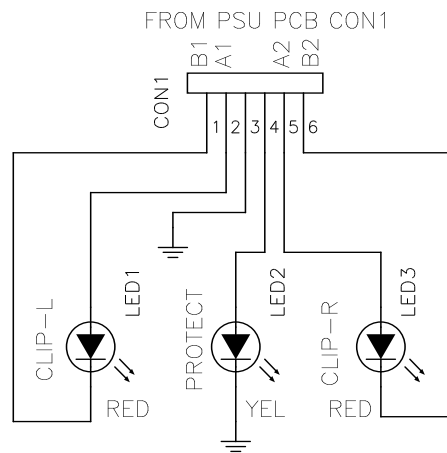


Title		SCHEMATIC FOR LEFTAMP	
MODEL	STA142	Size	Number
PCBNO	PCBUWH82-0	A2	PCBUWH82
DES* BY	Surajit	Date	22.4.03
CHK* BY	Sanjoy	Drawn by	Surajit
APP* BY		Filename	AMP.S01
		Sheet	1 of

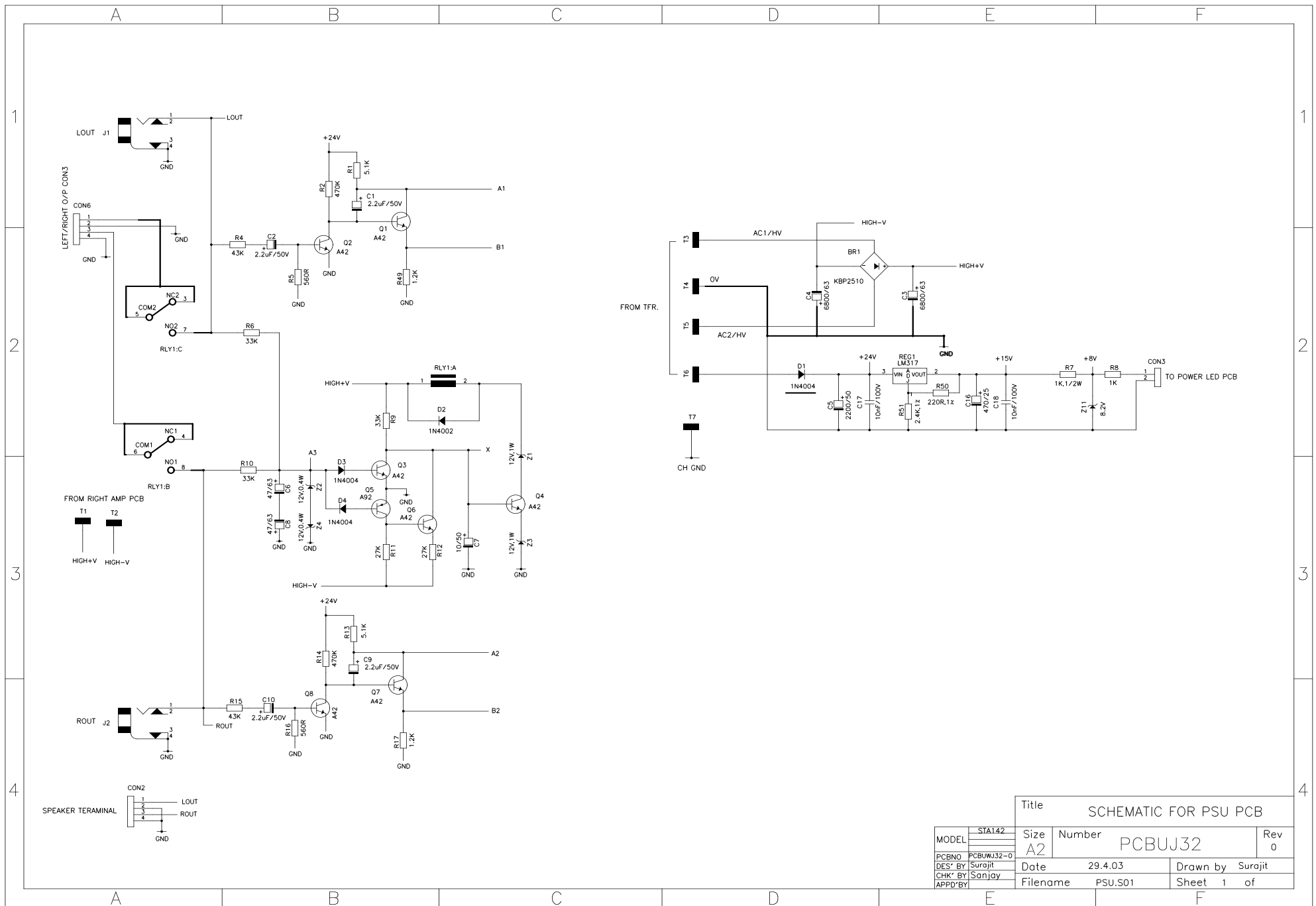


Title SCHEMATIC FOR RIGHTAMP

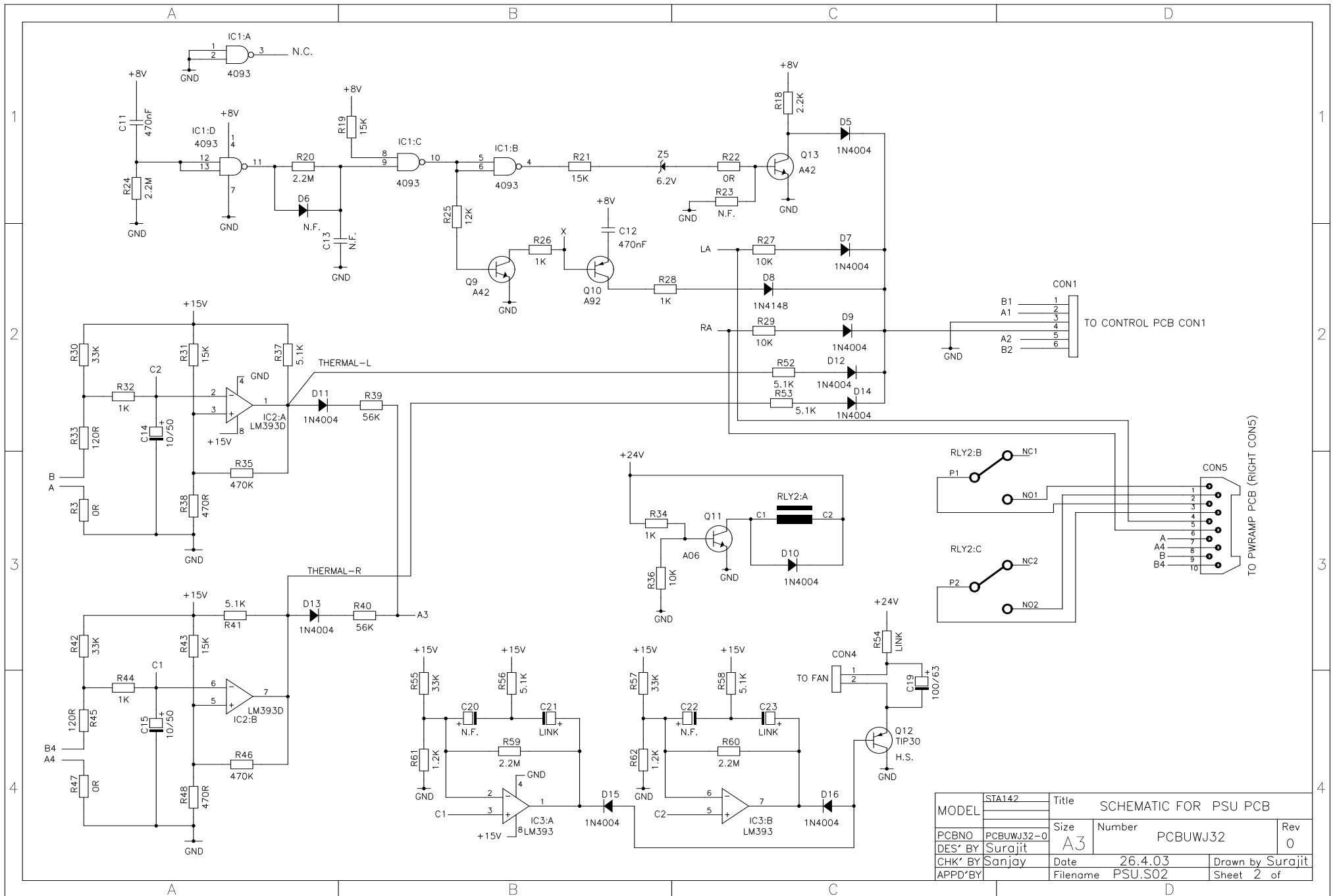
MODEL	STA142	Size	A2	Number	PCBUWH92	Rev	0
PCBNO	PCBUWH92-0	Date	28.4.03	Drawn by	Surajit		
DES' BY	Surajit	Filename	RAMP.S01	Sheet	1 of		
CHK' BY	Sanjay						
APP'D BY							



MODEL	STA142	Title SCHEMATIC FOR LED PCB		
PCBNO	PCBUWJ12-0	Size A4	Number PCBUWJ12	Rev 0
DES' BY	Surajit	Date 26.4.03	Drawn by Surajit	
CHK' BY		Filename CONTROL.S01	Sheet 1 of	
APPD'BY				



Title		SCHEMATIC FOR PSU PCB	
MODEL	STA142	Size	Number
PCBNO	PCBUWJ32-0	A2	PCBUJ32
DES* BY	Surajit	Date	29.4.03
CHK* BY	Sanjay	Drawn by	Surajit
APP* BY		Filename	PSU.S01
		Sheet	1 of
		Rev	0



MODEL	STA142	Title	SCHEMATIC FOR PSU PCB	
PCBNO	PCBUWJ32-0	Size	A3	Rev
DES' BY	Surajit	Number	PCBUWJ32	0
CHK' BY	Sanjay	Date	26.4.03	Drawn by
APPD'BY		Filename	PSU.S02	Surajit
			Sheet	2 of