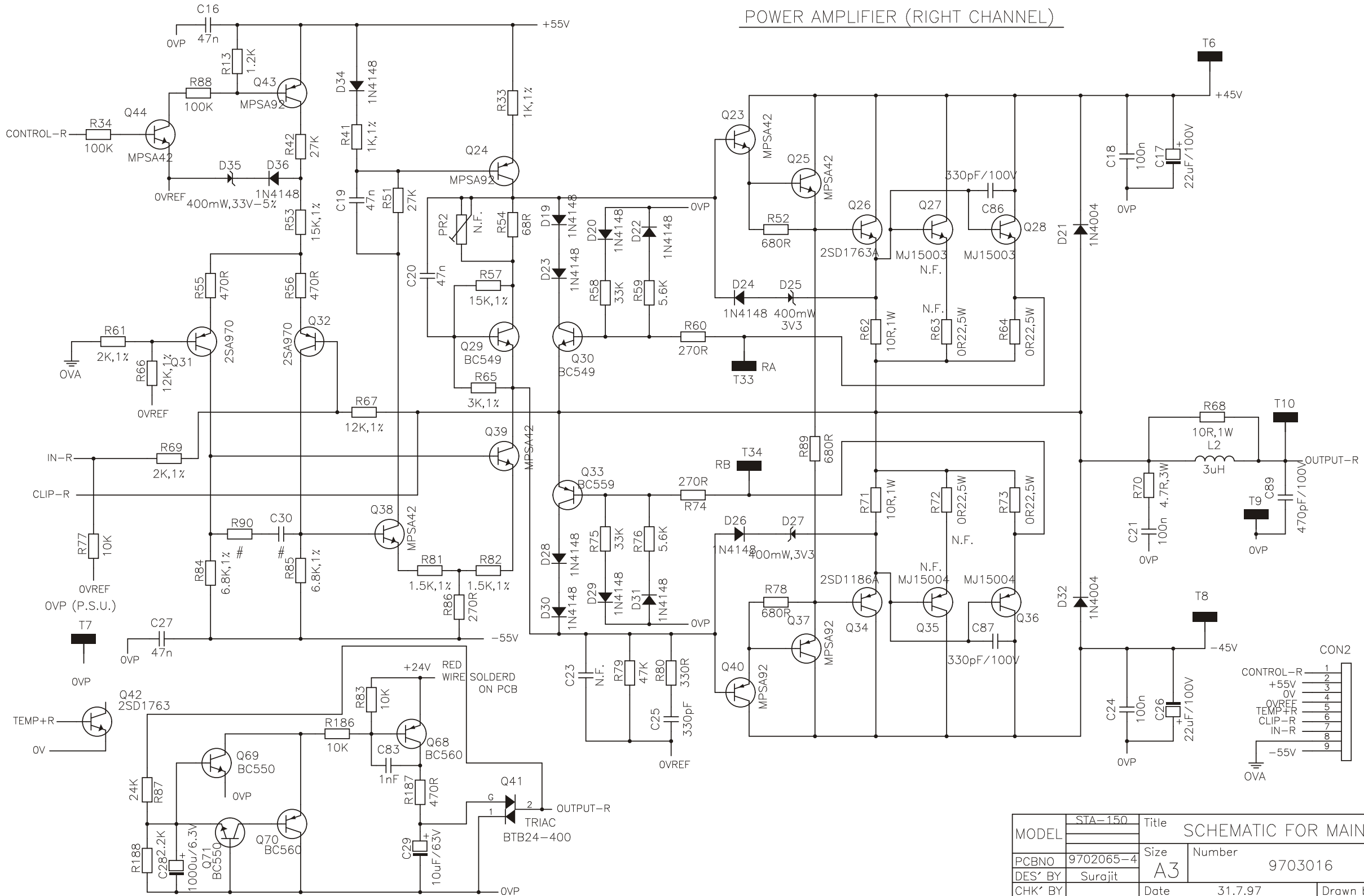
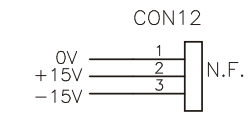
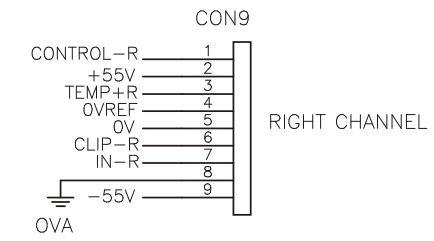
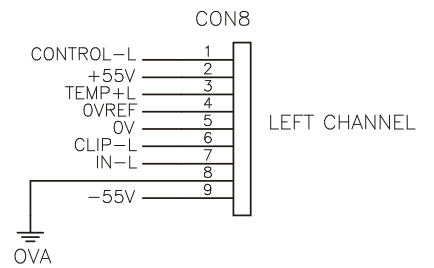
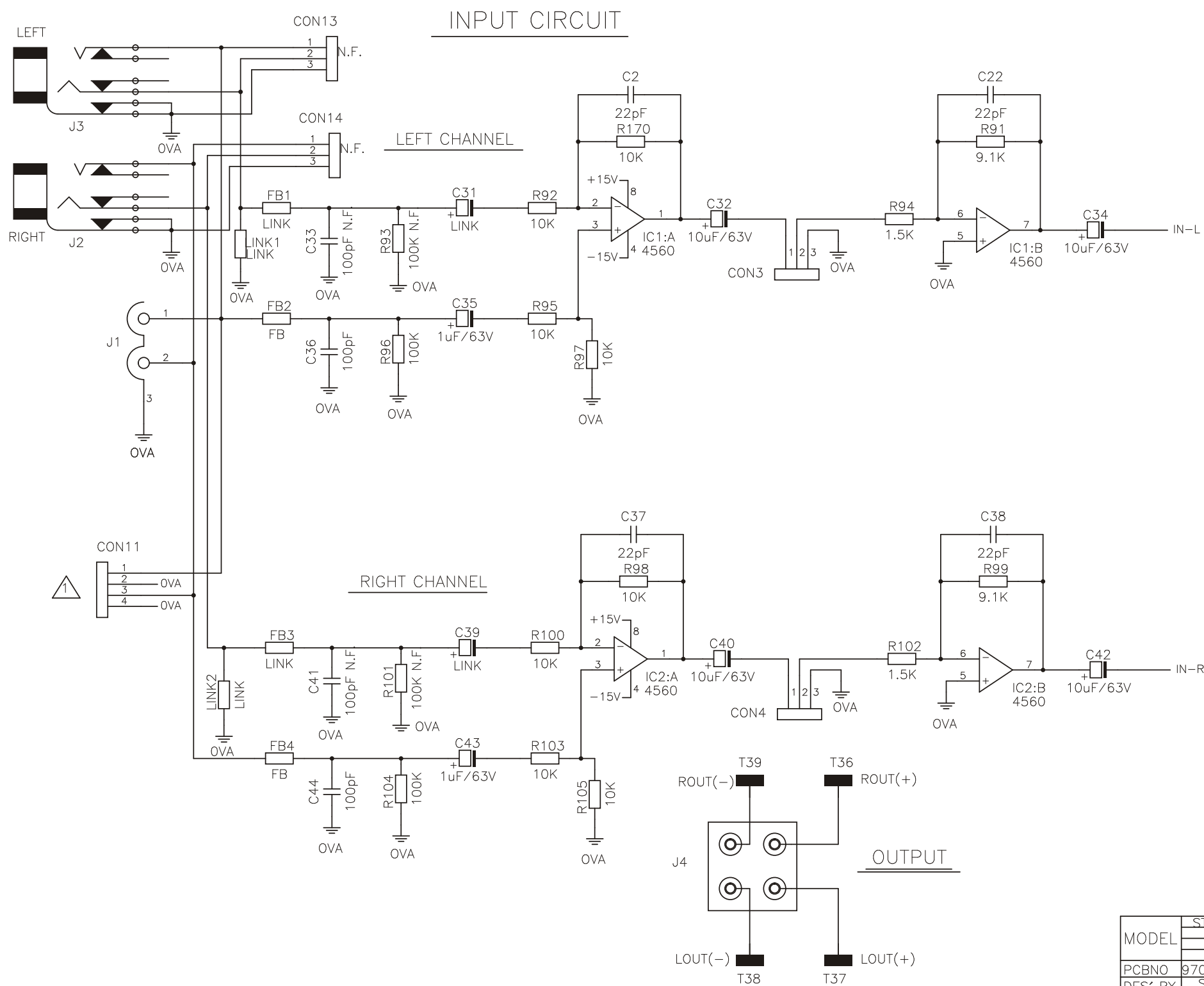


1	24.2.97	CON15 ADDED	Surajit
SYM	DATE	DESCRIPTION	SIGN. APP'D
MODEL	STA-50	Title SCHEMATIC FOR MAIN PCB	
PCBNO	9702065-4	Size A3	Number 9703016
DES' BY	Surajit	Date	31.7.97
CHK' BY		Filename	MAIN.S01
APP'D BY		Drawn by	Surajit
		Sheet	1 of 5

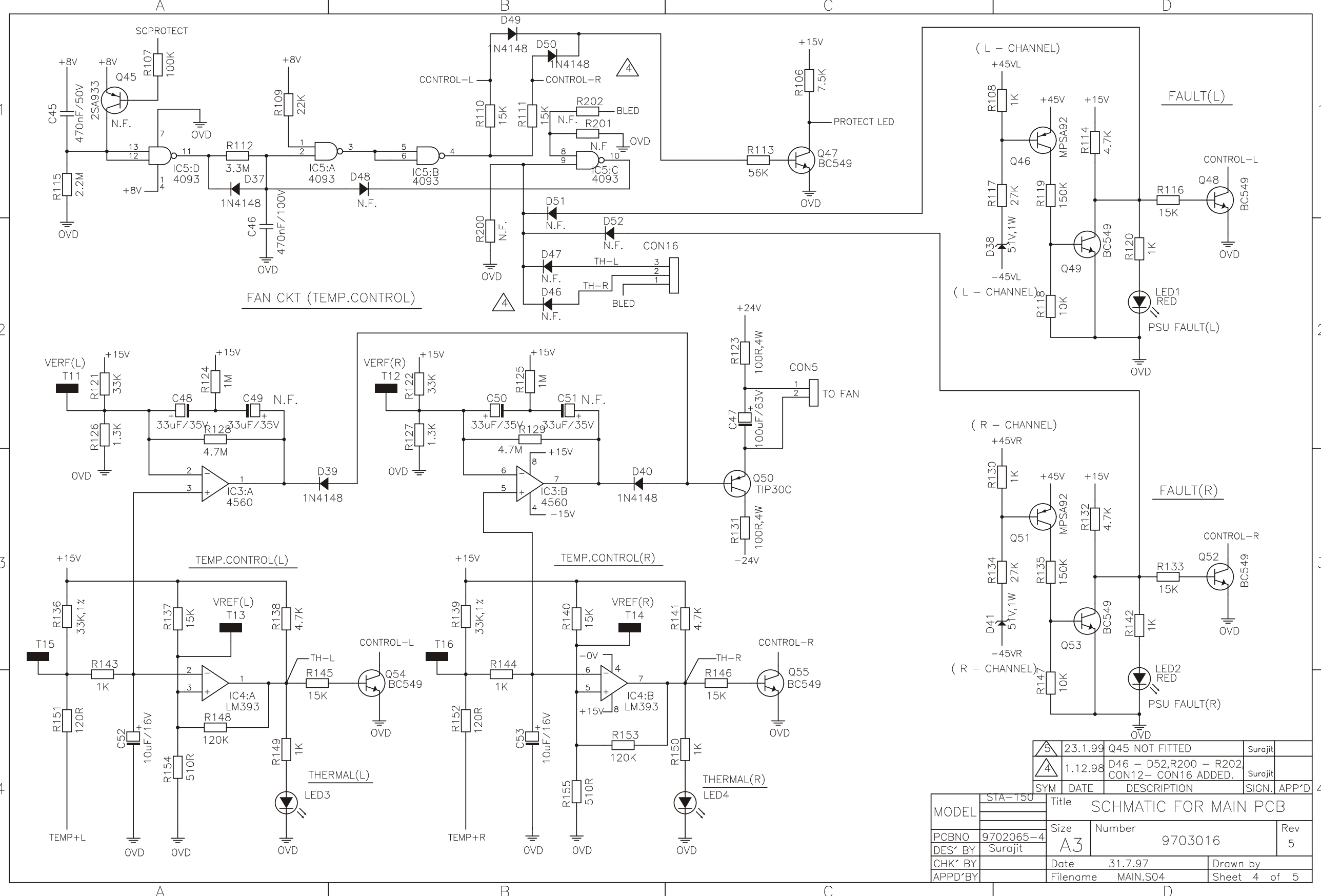
POWER AMPLIFIER (RIGHT CHANNEL)



MODEL	STA-150	Title	SCHEMATIC FOR MAIN PCB		
PCBNO	9702065-4	Size	A3	Number	9703016
DES' BY	Surajit	Date	31.7.97	Rev	5
CHK' BY		Filename	MAIN.S02	Drawn by	Surajit
APPD' BY		Sheet	2 of 5		

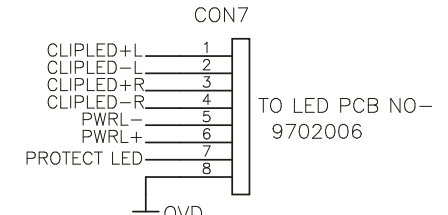
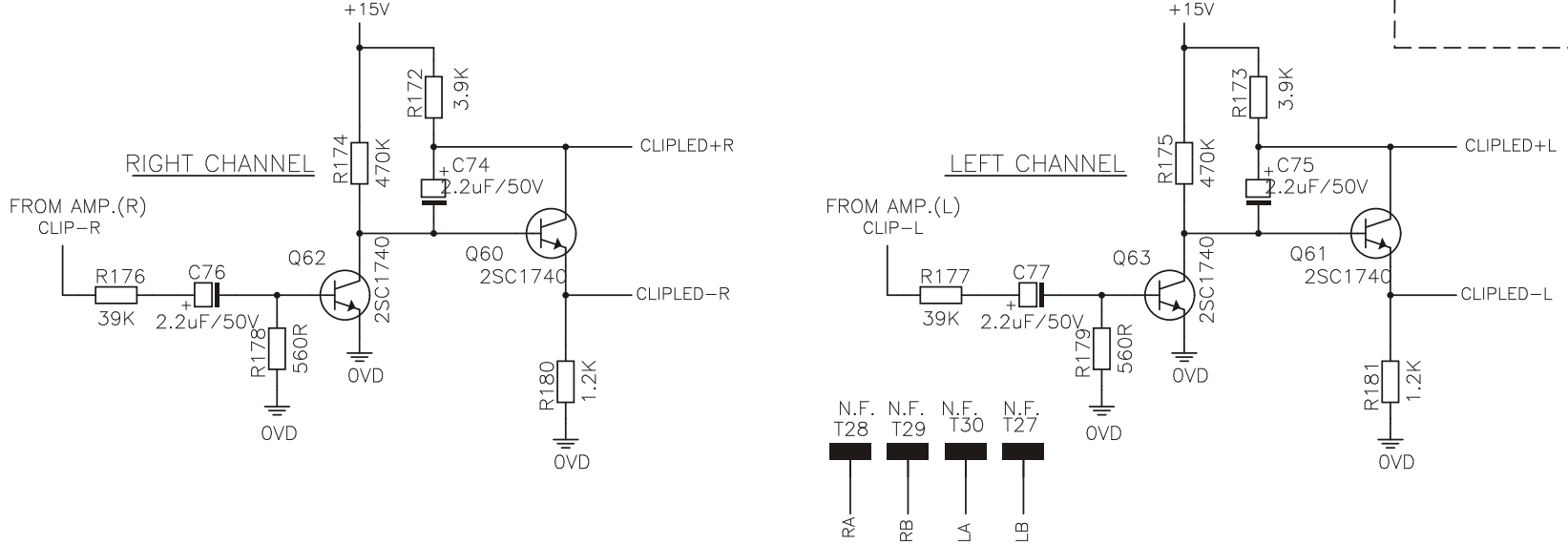
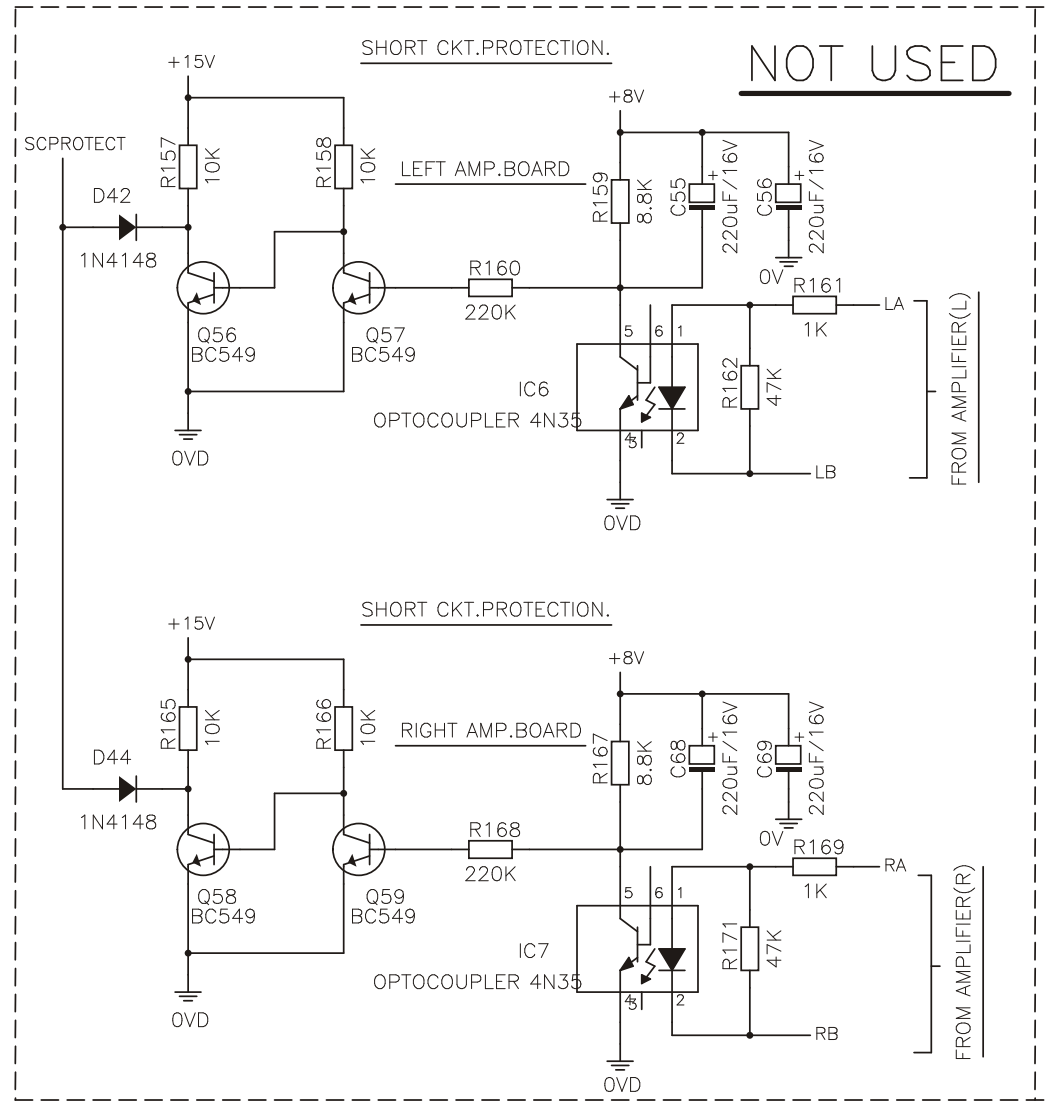
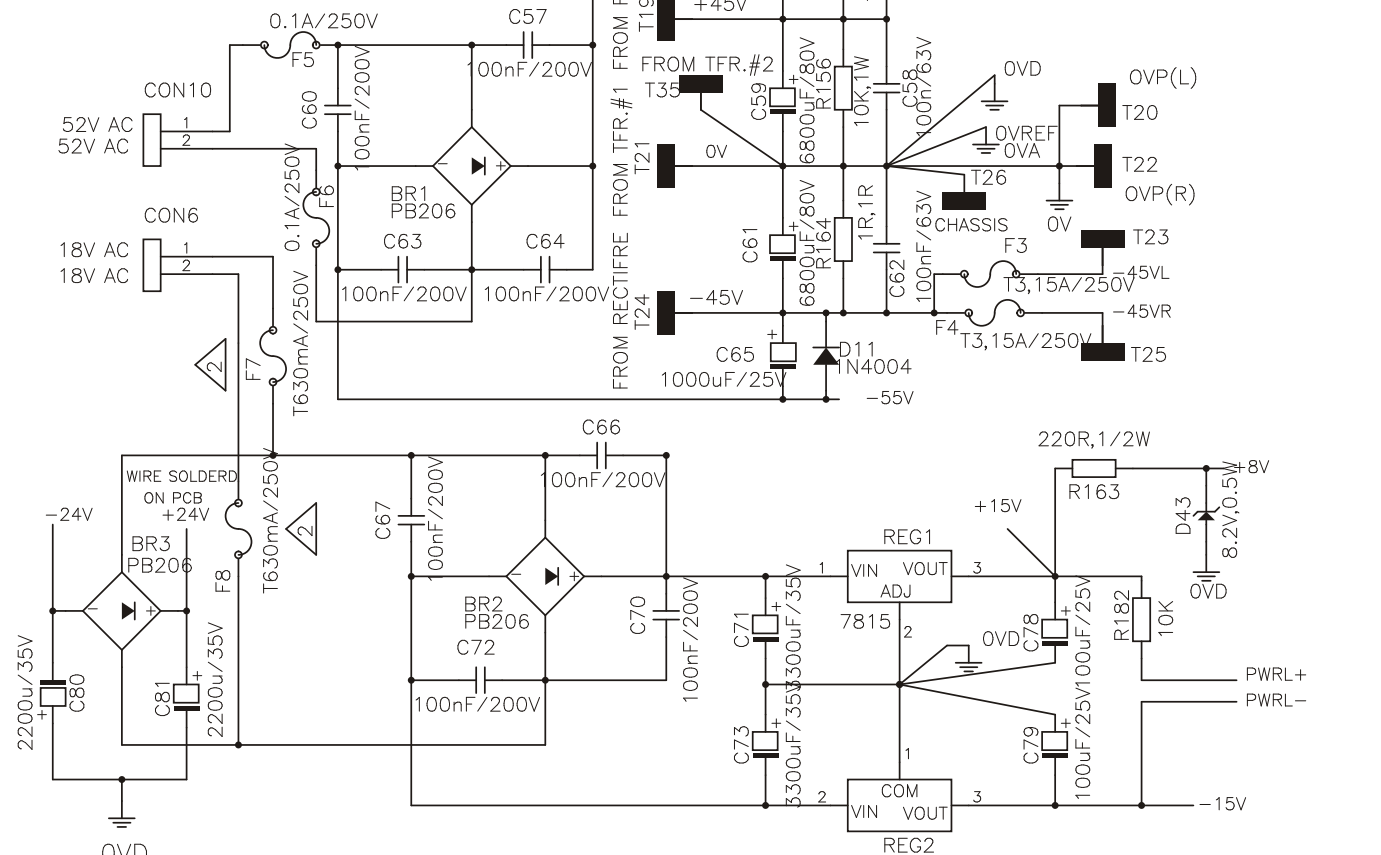
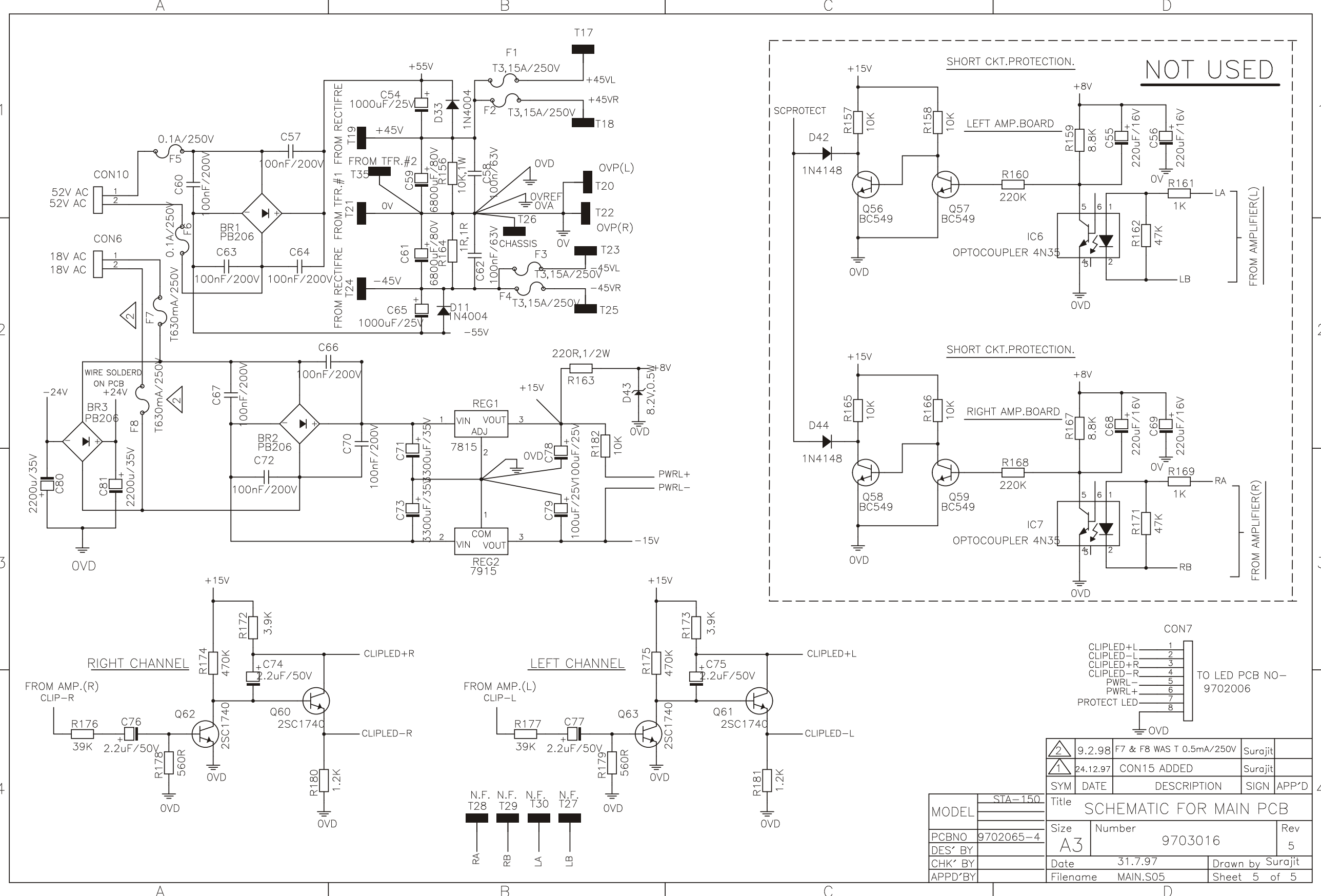


1	24.12.97	CON15 ADDED	Surajit	
SYM	DATE	DESCRIPTION	SIGN	APP'D
MODEL	STA-150	Title SCHEMATIC FOR MAIN PCB		
PCBNO	9702065-4	Size A3	Number 9703016	Rev 5
DES' BY	Surajit	Date 31.7.97	Drawn by Surajit	
CHK' BY		Filename MAIN.S03	Sheet 3 of 5	
APPD'BY				



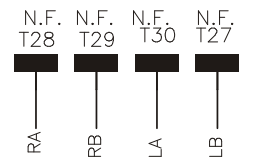
△	23.1.99	Q45 NOT FITTED	Surajit
△	1.12.98	D46 - D52,R200 - R202 CON12- CON16 ADDED.	Surajit
SYM	DATE	DESCRIPTION	SIGN. APP'D

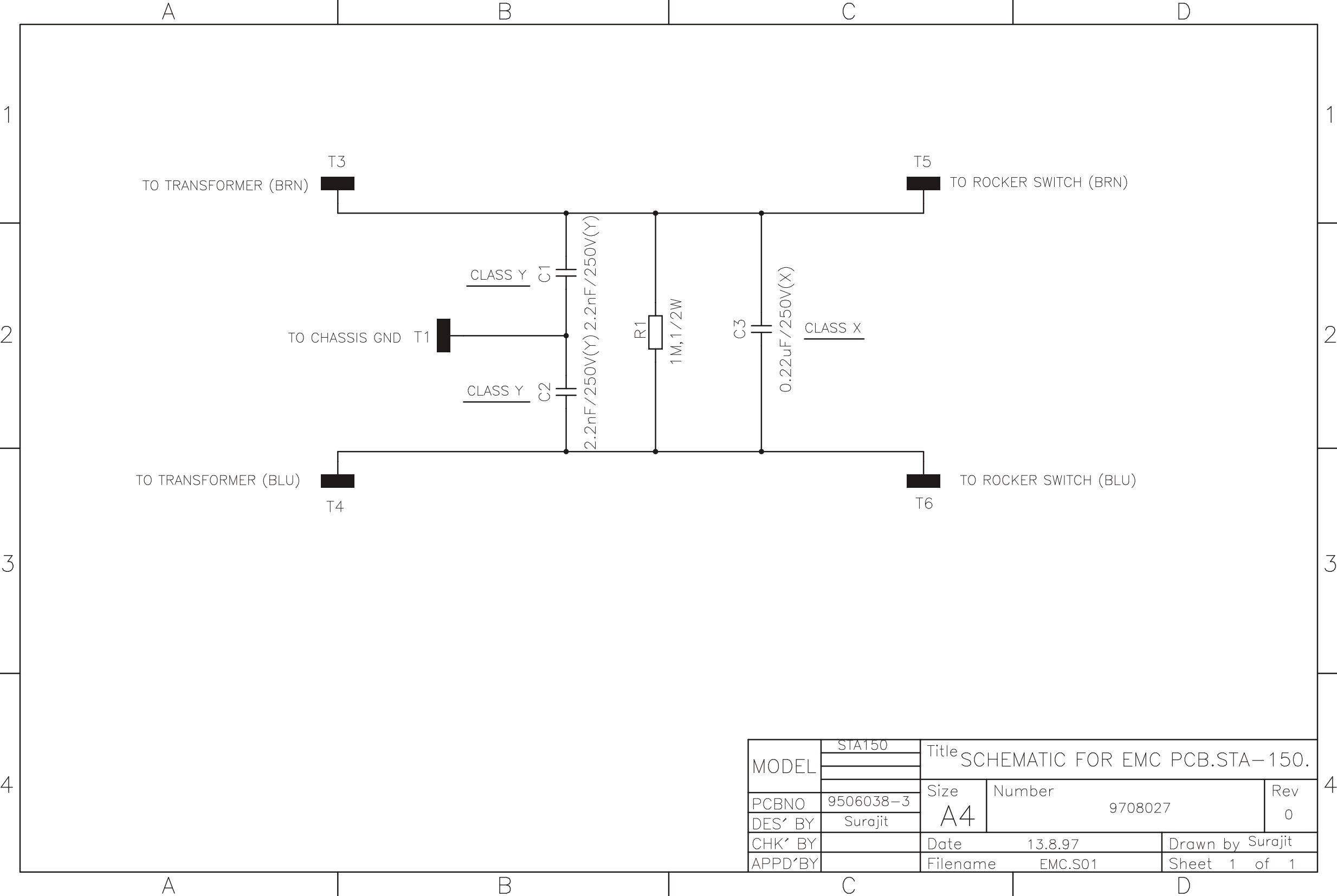
MODEL	STA-150	Title		SCHMATIC FOR MAIN PCB	
PCBNO	9702065-4	Size	A3	Number	9703016
DES' BY	Surajit	Date	31.7.97	Rev	5
CHK' BY		Drawn by			
APPD'BY		Filename	MAIN.S04	Sheet 4 of 5	



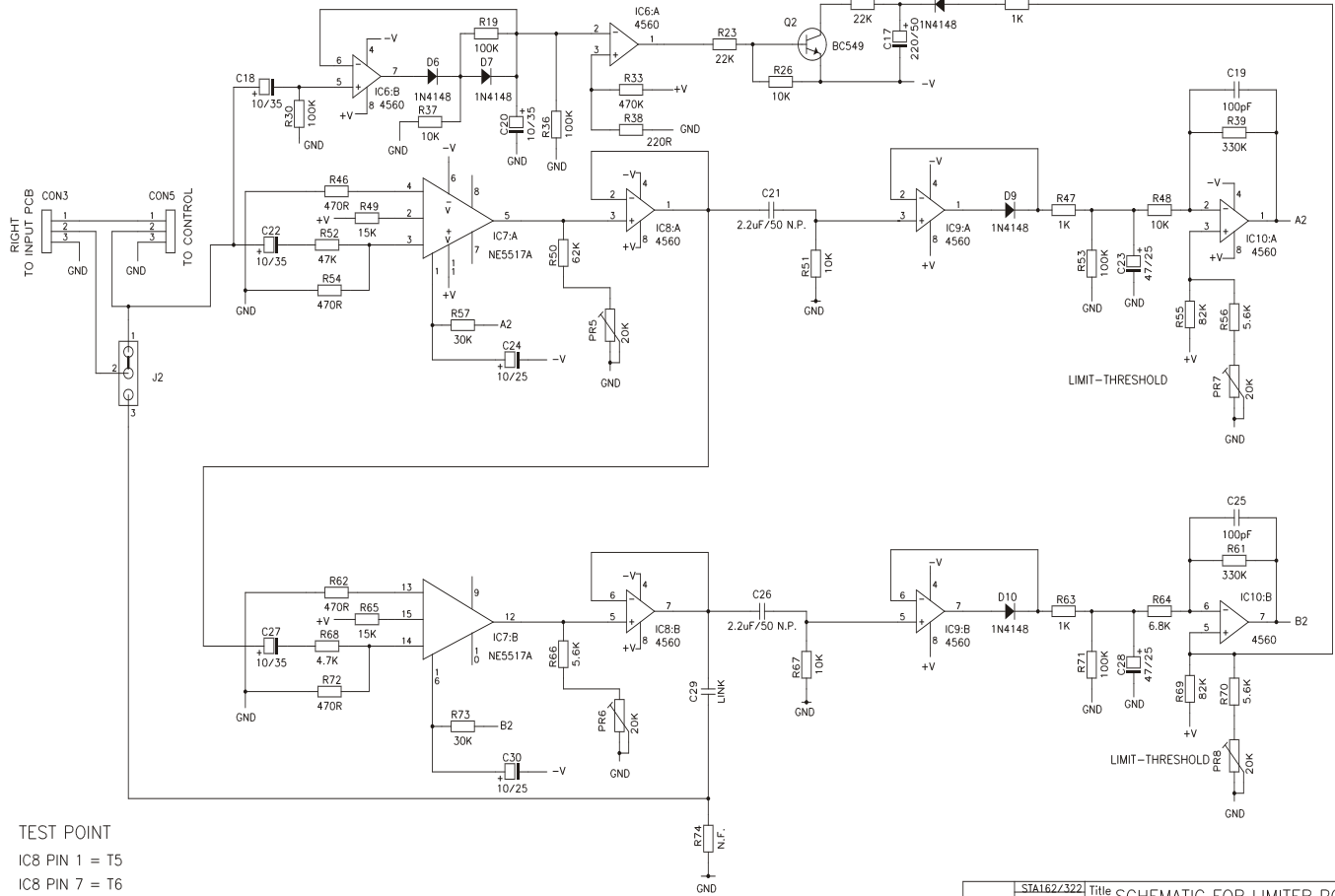
2	9.2.98	F7 & F8 WAS T 0.5mA/250V	Surajit	
1	24.12.97	CON15 ADDED	Surajit	
SYM	DATE	DESCRIPTION	SIGN	APP'D
Title SCHEMATIC FOR MAIN PCB				
Size A3		Number 9703016		Rev 5
Date 31.7.97		Drawn by Surajit		
Filename MAIN.S05		Sheet 5 of 5		

MODEL	STA-150
PCBNO	9702065-4
DES' BY	
CHK' BY	
APPD'BY	





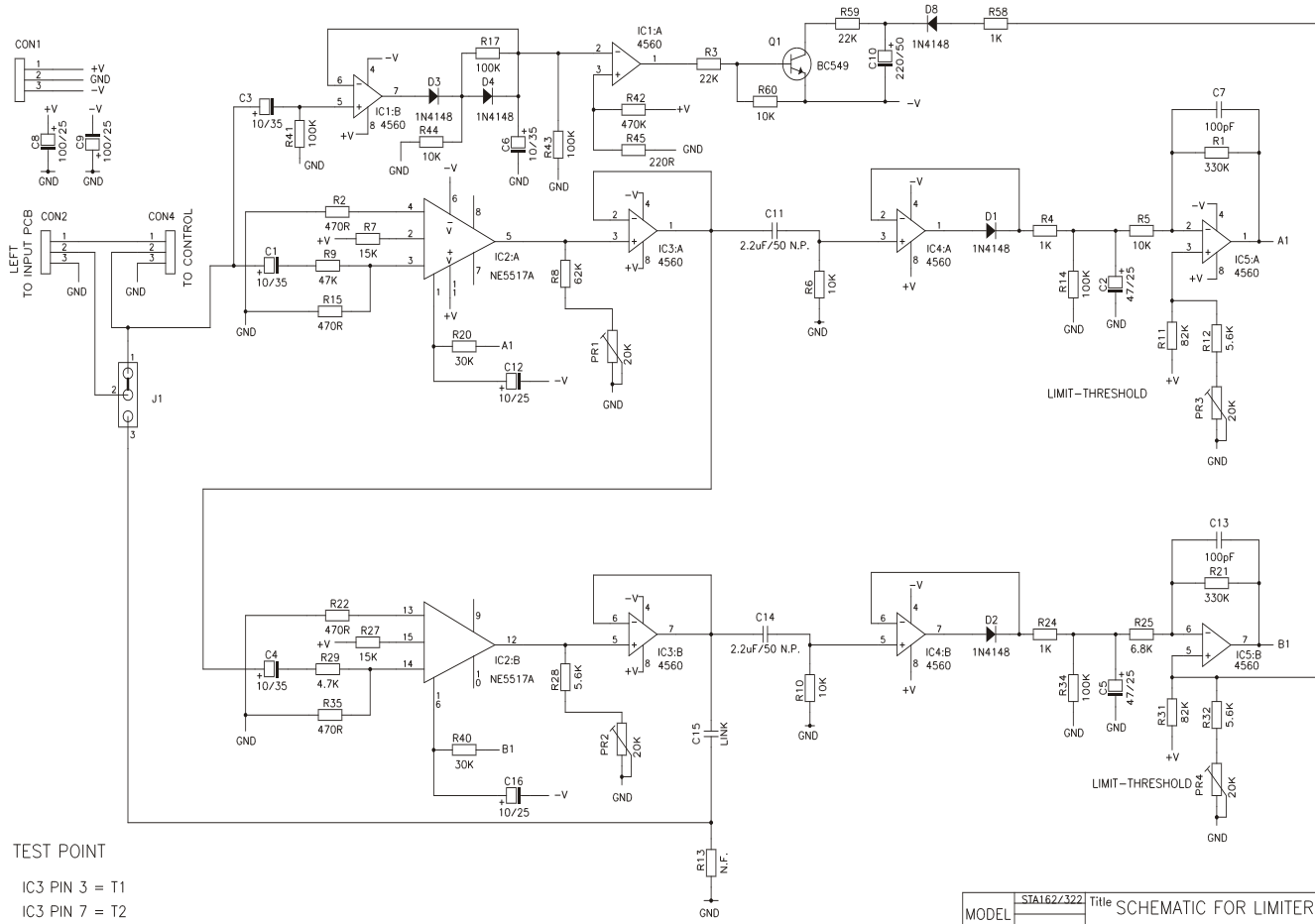
MODEL	STA150	Title SCHEMATIC FOR EMC PCB.STA-150.		
		Size	Number	Rev
PCBNO	9506038-3	A4	9708027	0
DES' BY	Surajit	Date	13.8.97	Drawn by Surajit
CHK' BY		Filename	EMC.S01	Sheet 1 of 1
APPD'BY				



TEST POINT

- IC8 PIN 1 = T5
- IC8 PIN 7 = T6
- IC10 PIN 3 = T7
- IC10 PIN 5 = T8
- GROUND TEST PIN = T9

MODEL	ST1A16Z/32Z	Title	SCHEMATIC FOR LIMITER PCB		
PCBNO	PCBUWA22-0	Size	A3	Number	PCBUWA22
DES' BY	Surajit	Date	29.4.03	Drawn by	Surajit
CHK' BY		Filename	LAA:S02	Sheet	2 of
APPD'BY					



TEST POINT  
 IC3 PIN 3 = T1  
 IC3 PIN 7 = T2  
 IC5 PIN 3 = T3  
 IC5 PIN 5 = T4

MODEL	ST162Z/322		Title	SCHEMATIC FOR LIMITER PCB	
PCBNO	PCBUWA2-0	Size	A3	Number	PCBUWA22
DES' BY	Surajit			Rev	0
CHK' BY		Date	29.4.03	Drawn by	Surajit
APP'D BY		Filename	LAA.S01	Sheet	1 of



A

B

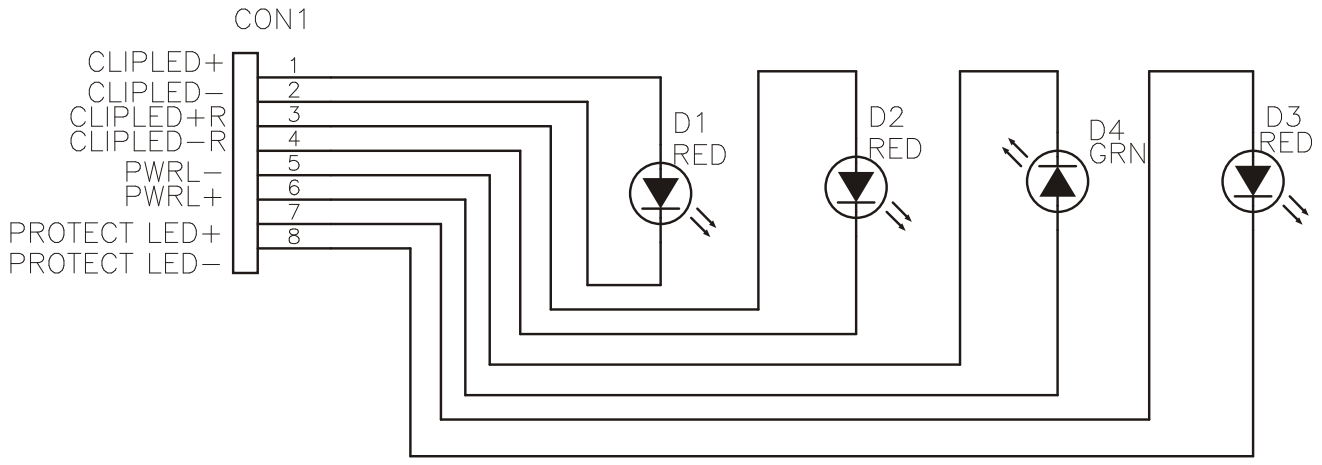
C

D

1

1

FROM MAIN PCB  
PCB NO - 9702008



2

2

3

3

4

4

MODEL	STA-150	Title		
		SCHMATIC FOR LED PCB		
PCBNO	9702064	Size	Number	Rev
DES' BY	Surajit	A4	9703015	0
CHK' BY		Date	31.7.97	Drawn by Surajit
APPD'BY		Filename	LED.S01	Sheet 1 of 1

A

B

C

D