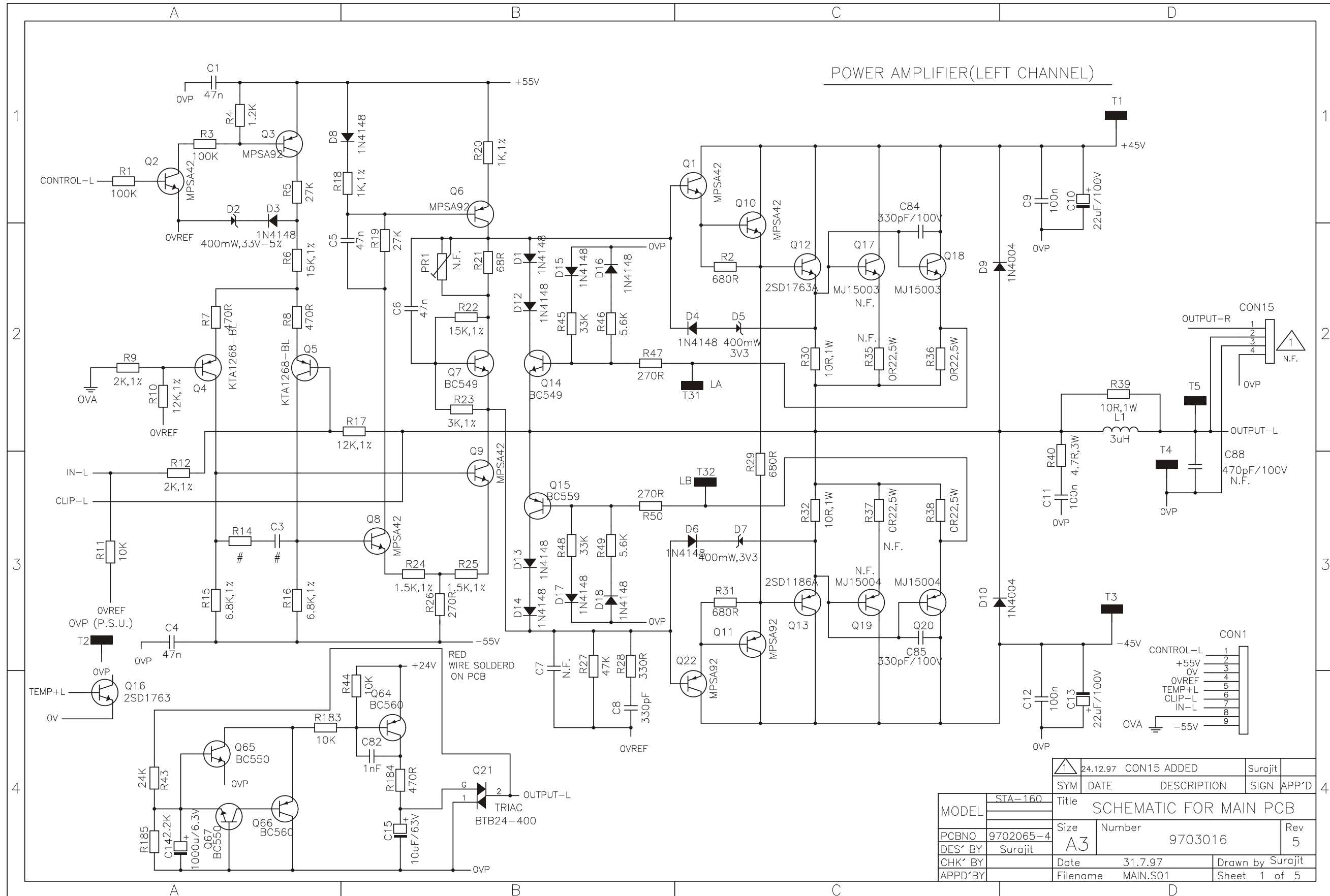
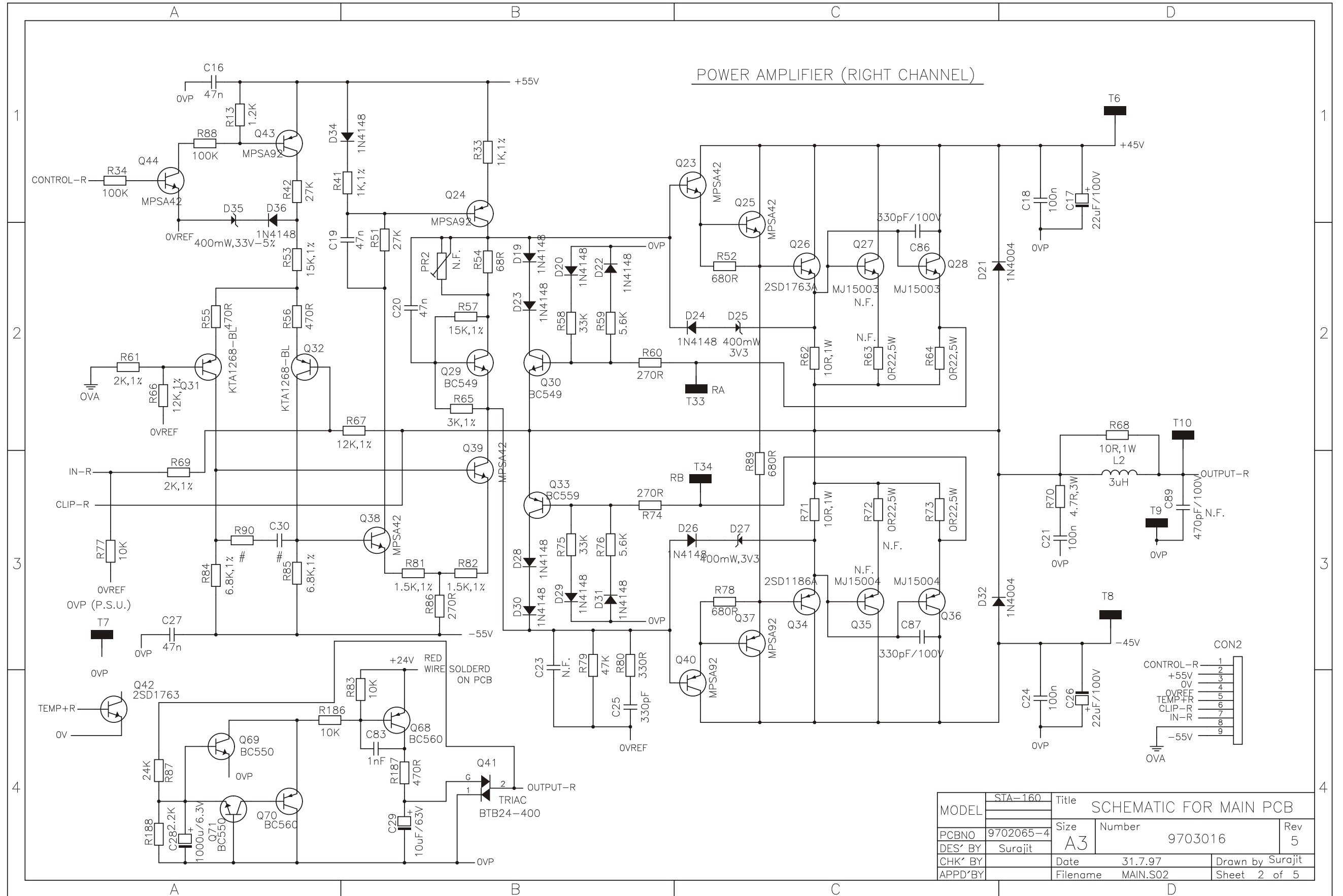


25.1.2000 SW1 GND,FLOT CONNECTION CHANGED AS PER IMG. C12 & R11 DELETE.

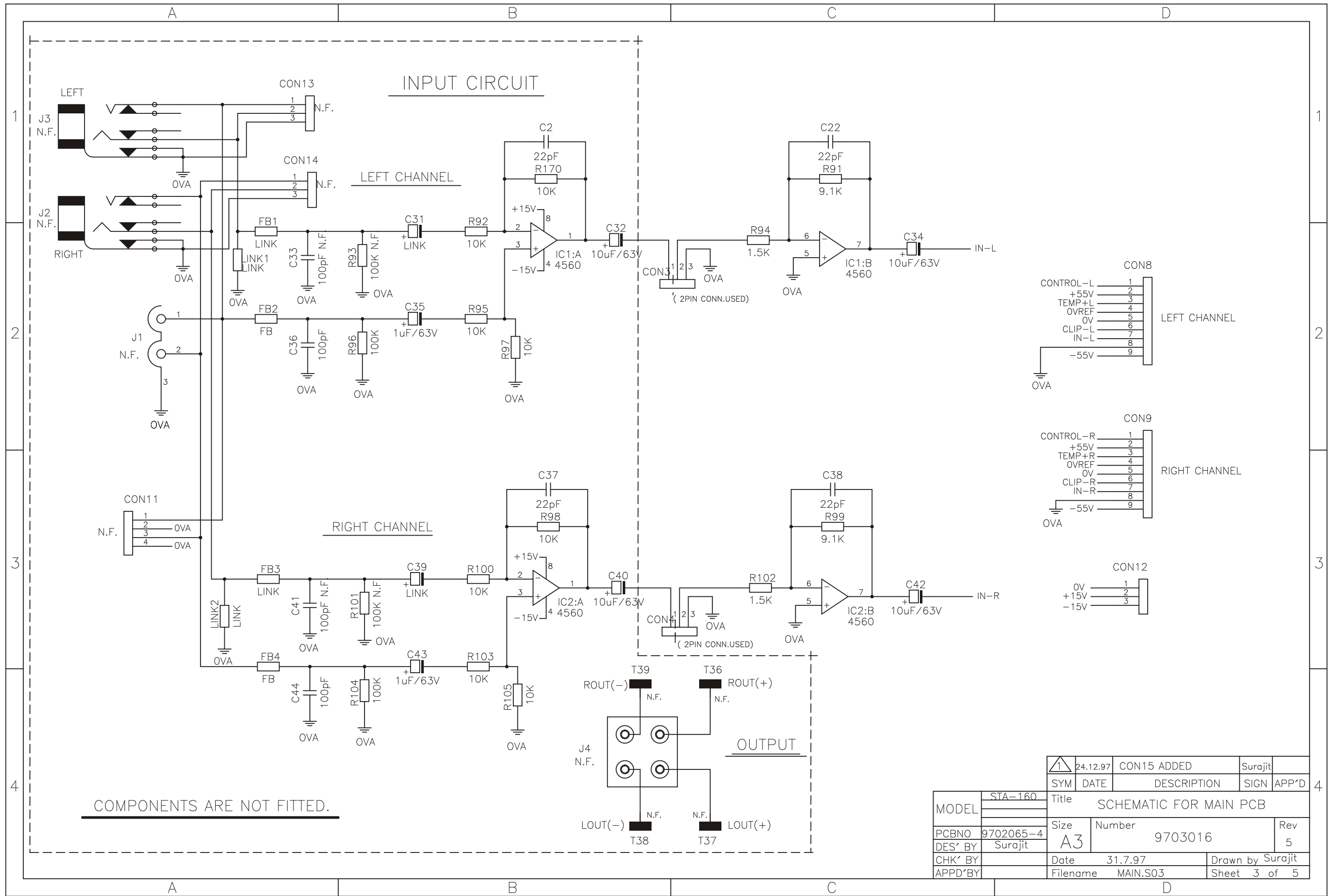
REV	DATE	DESCRIPTION	SIGN	APP'D
MODEL	STA-160	Title SCHEMATIC FOR JACK PCB		
PCBNO	9803044-2	Size A3	Number 9803065	Rev 1
DES' BY		Date 29.1.99	Drawn by Surajit	
CHK' BY		Filename INP.S01	Sheet 1 of 1	
APPD'BY				



SYM	24.12.97	CON15 ADDED	Surajit	
DATE		DESCRIPTION	SIGN	APP'D



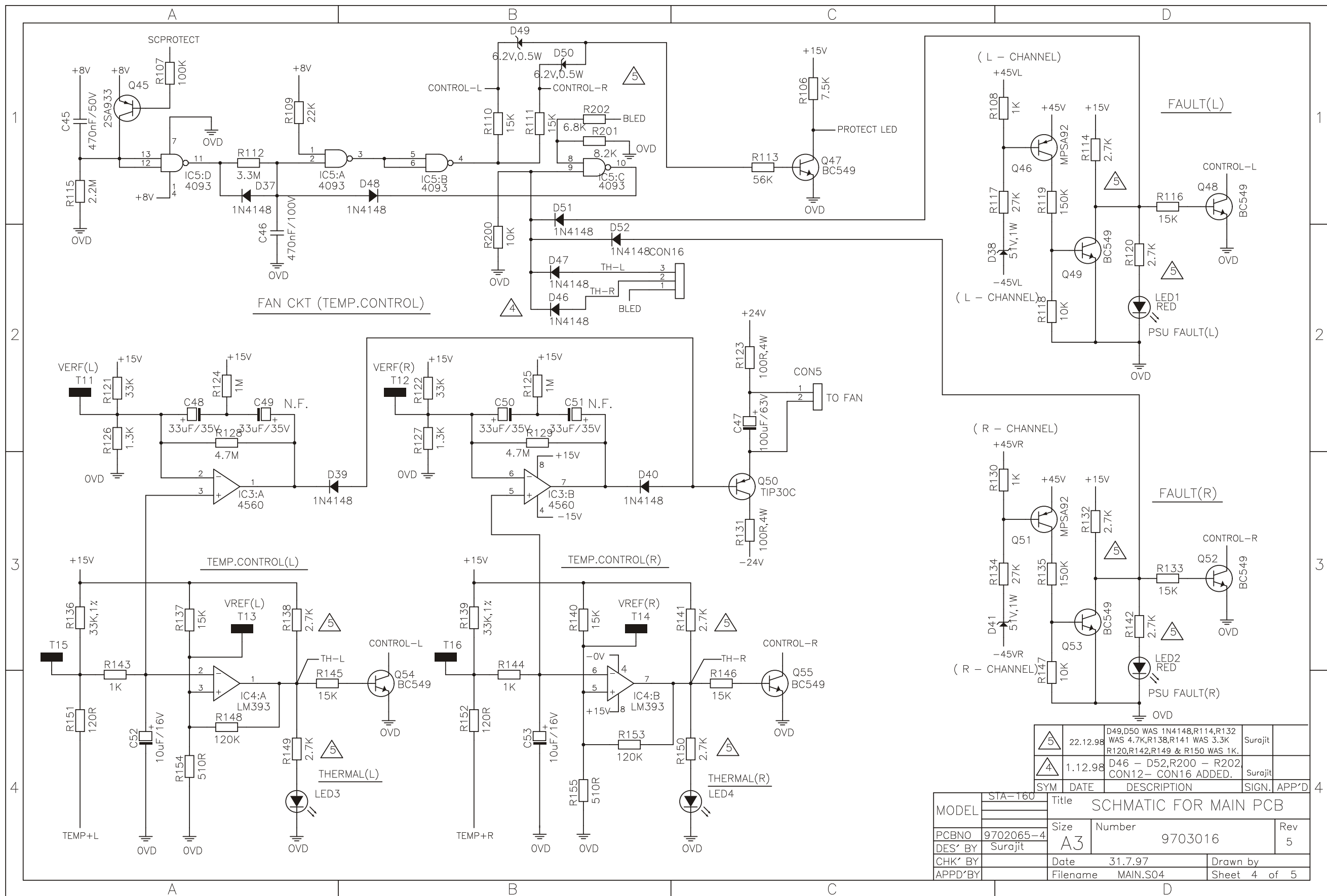
MODEL	STA-160	Title	SCHEMATIC FOR MAIN PCB	
PCBNO	9702065-4	Size	A3	Number
DES' BY	Surajit		9703016	Rev
CHK' BY		Date	31.7.97	Drawn by
APPD' BY		Filename	MAIN.S02	Sheet
				2 of 5



COMPONENTS ARE NOT FITTED.

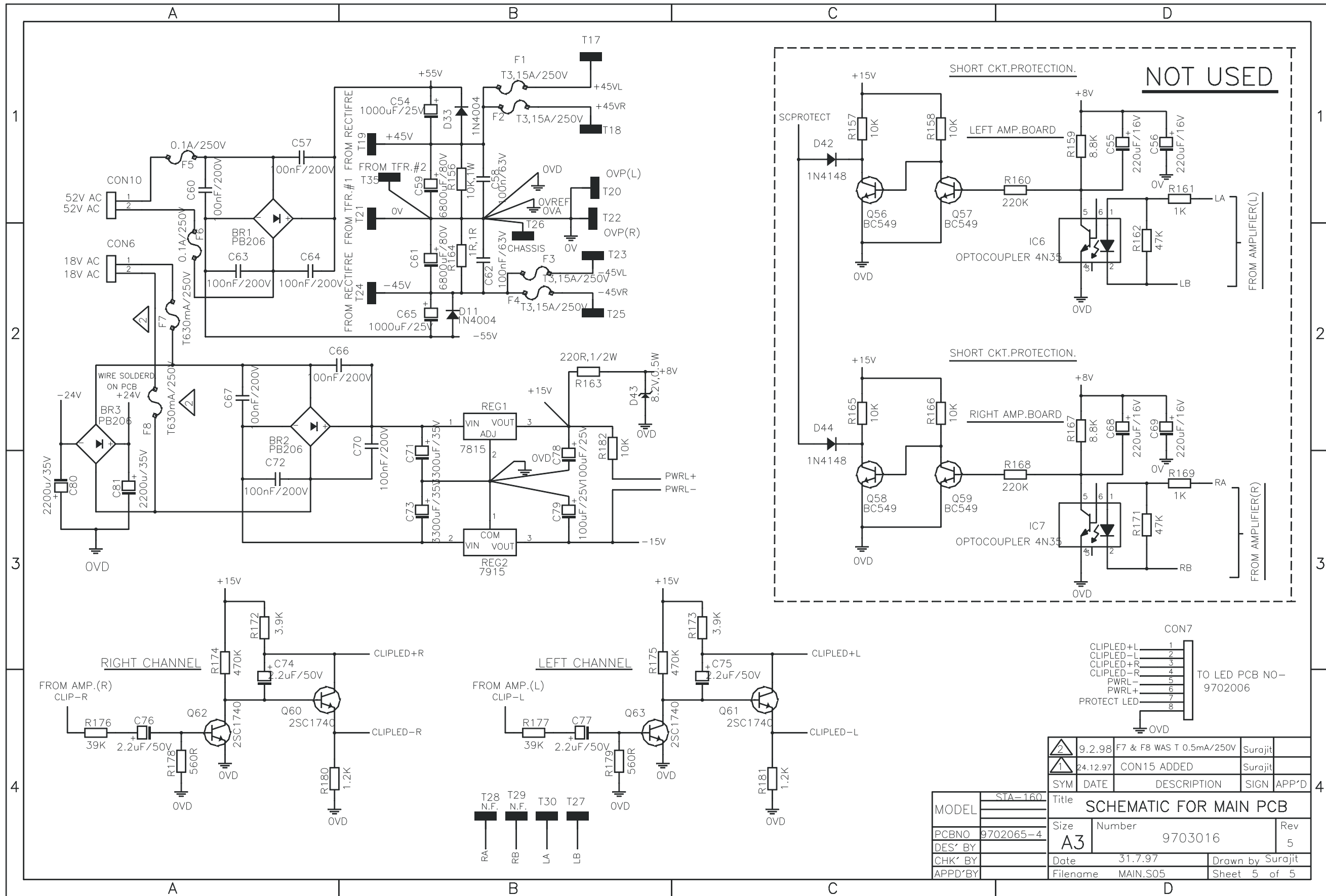
MODEL	STA-160	Title	SCHEMATIC FOR MAIN PCB		
PCBNO	9702065-4	Size	Number	9703016	Rev
DES' BY	Surajit	A3			5
CHK' BY		Date	31.7.97	Drawn by	Surajit
APPD'BY		Filename	MAIN.S03	Sheet	3 of 5

1	24.12.97	CON15 ADDED	Surajit	
SYM	DATE	DESCRIPTION	SIGN	APP'D



5	22.12.98	D49,D50 WAS 1N4148,R114,R132 WAS 4.7K,R138,R141 WAS 3.3K R120,R142,R149 & R150 WAS 1K.	Surajit
4	1.12.98	D46 - D52,R200 - R202 CON12- CON16 ADDED.	Surajit
SYM	DATE	DESCRIPTION	SIGN. APP'D

MODEL	STA-160	Title	SCHMATIC FOR MAIN PCB	
PCBNO	9702065-4	Size	Number	Rev
DES' BY	Surajit	A3	9703016	5
CHK' BY		Date	31.7.97	Drawn by
APPD'BY		Filename	MAIN.S04	Sheet 4 of 5



2	9.2.98	F7 & F8 WAS T 0.5mA/250V	Surajit	
1	24.12.97	CON15 ADDED	Surajit	
SYM	DATE	DESCRIPTION	SIGN	APP'D
<b>SCHEMATIC FOR MAIN PCB</b>				
MODEL	STA-160	Title		
PCBNO	9702065-4	Size	Number	Rev
DES' BY		A3	9703016	5
CHK' BY		Date	31.7.97	Drawn by Surajit
APPD' BY		Filename	MAIN.S05	Sheet 5 of 5



