

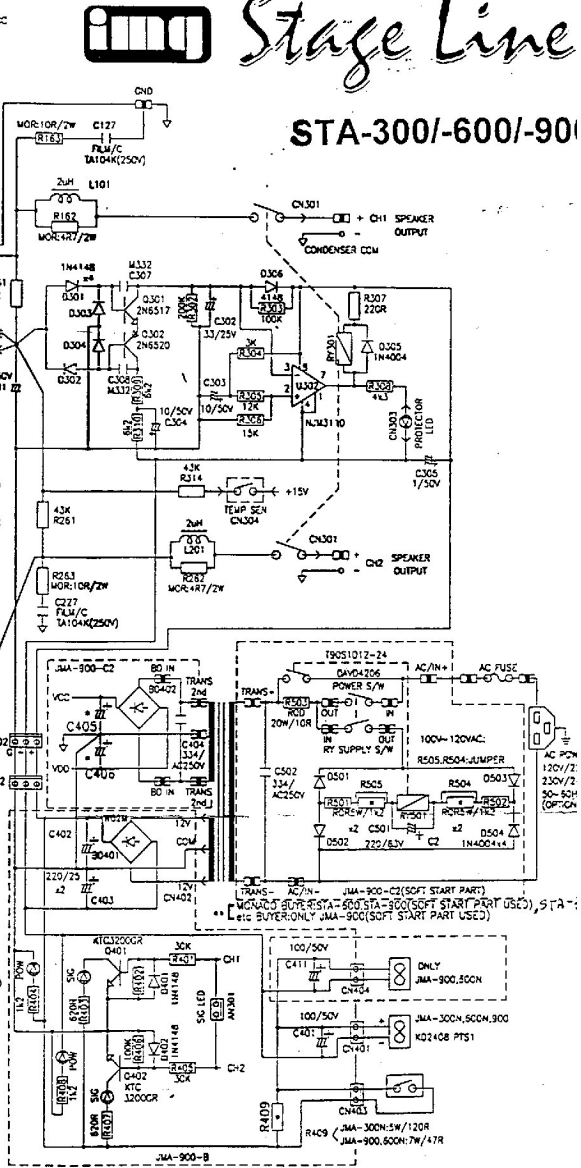
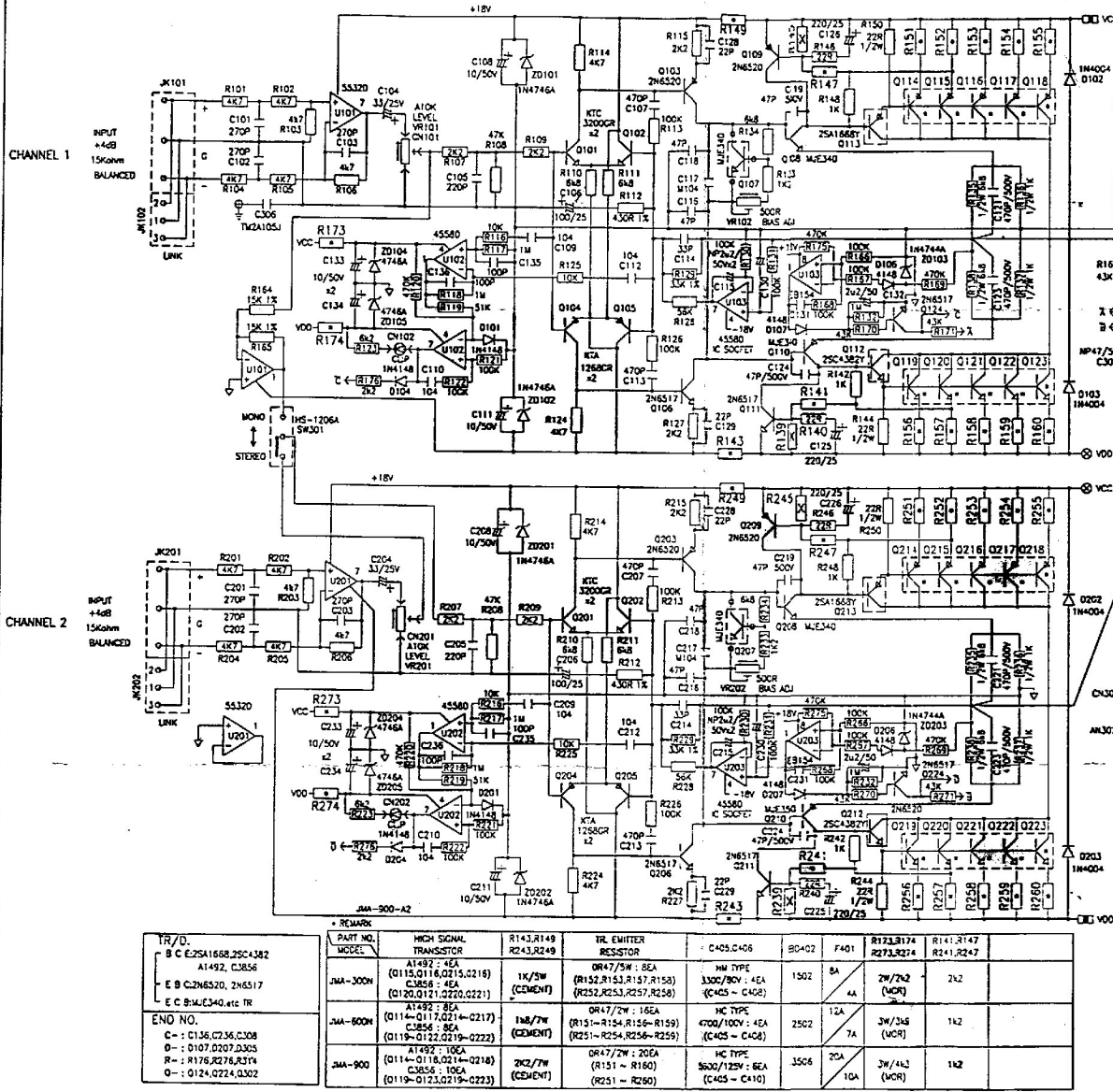


Stage Line

STA-300-600-900

CHANNEL 1

CHANNEL 2



TR./D.	PART NO.	WGEEL.	HIGH SIGNAL TRANSISTOR	R143,R149 R243,R249	TR. EMITTER RESISTOR	C 425,C406	90-02	F401	R123,R174 R273,R274	R141,R147 R241,R247
B C E25A1668,25C-1462 A1492, C2856	JMA-300N		A1492-45A (0115,0116,0215,0216) C2856-45A (0120,0121,0220,0221)	1K/5W (CEMENT)	0R47/5W-8EA (R152,R153,R157,R158) (R252,R253,R257,R258)	1M TYPE 1300/50V-4EA (C405-C402)	1502	8A 4A	2W/202 2W	2x2
E B C2N6520, 2N6517 E C B MJE340, etc TR	JMA-600N		A1492-85A (0114-0117,0214-0217) C2856-85A (0119-0122,0219-0222)	1W/7W (CEMENT)	0R47/2W-16EA (R151-R154,R156-R159) (R251-R254,R256-R259)	HC TYPE 4700/100V-4EA (C405-C408)	2502	12A 7A	3W/346 (WCR)	1x2
END NO.	JMA-900		A1492-100A (0114-0118,0214-0218) C2856-100A (0119-0123,0219-0223)	2K2/7W (CEMENT)	0R47/2W-20EA (R151-R160) (R251-R260)	HC TYPE 5600/125V-6EA (C405-C410)	3506	20A 10A	3W/443 (WCR)	1x2

