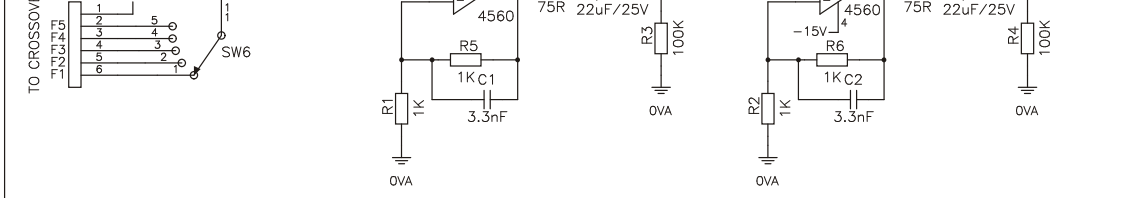
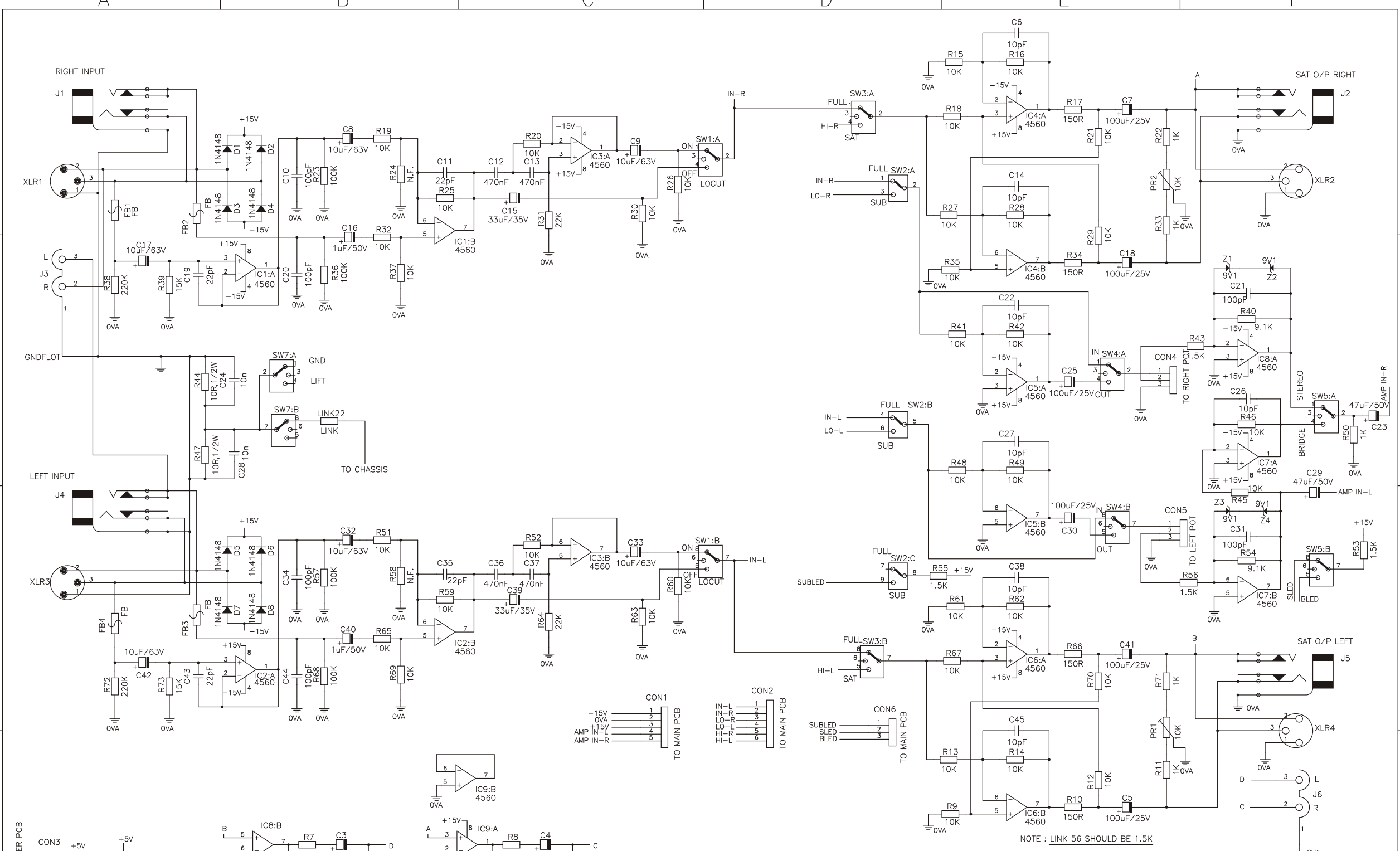
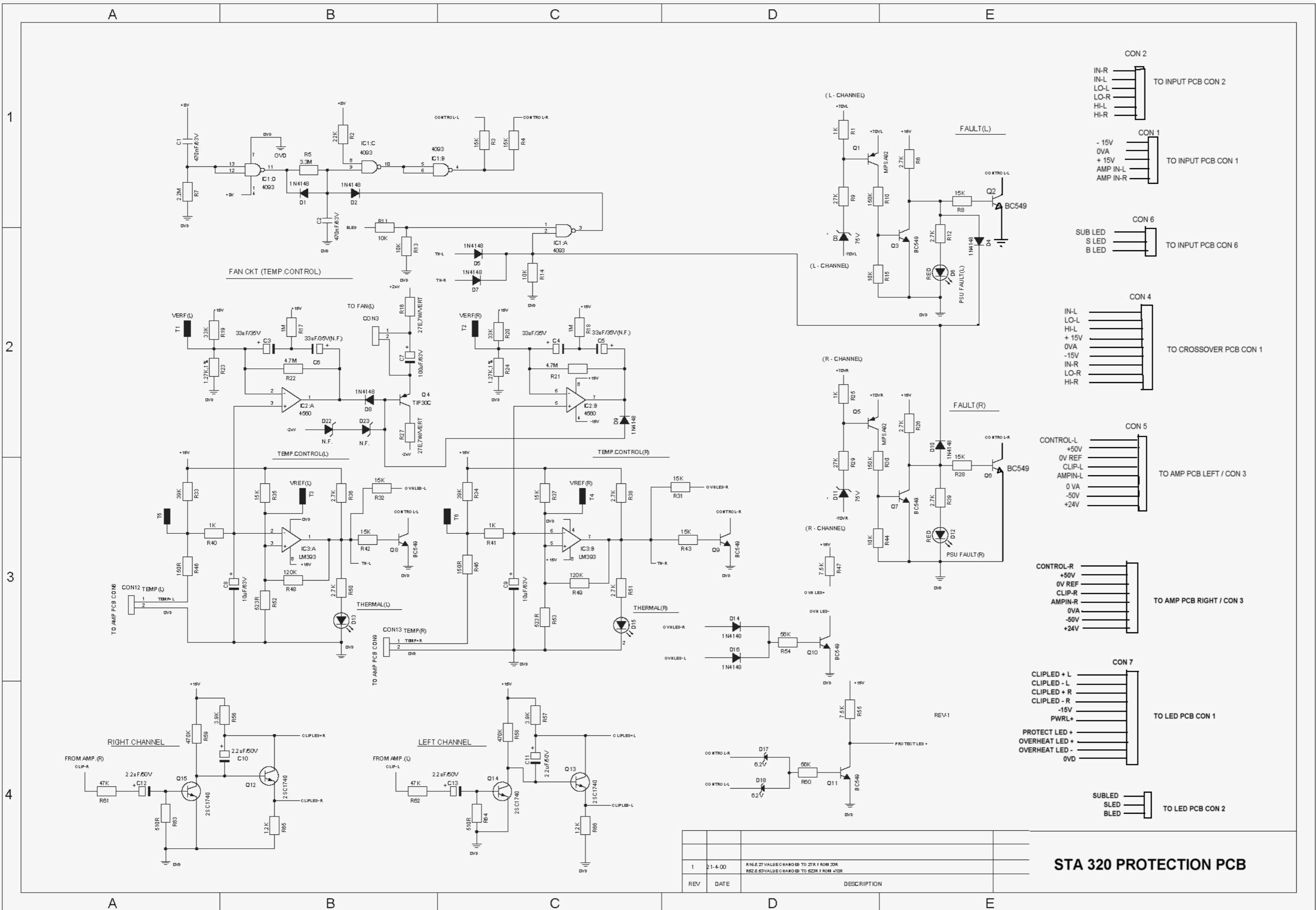


MODEL	STIA320	Title SCHEMATIC FOR CROSSOVER PCB		
PCBNO	9803070	Size A3	Number 9803069	Rev
DES' BY	Surajit	Date 28.11.98	Drawn by Surajit	
CHK' BY		Filename CROSS.S01	Sheet 2 of 2	
APPD' BY				



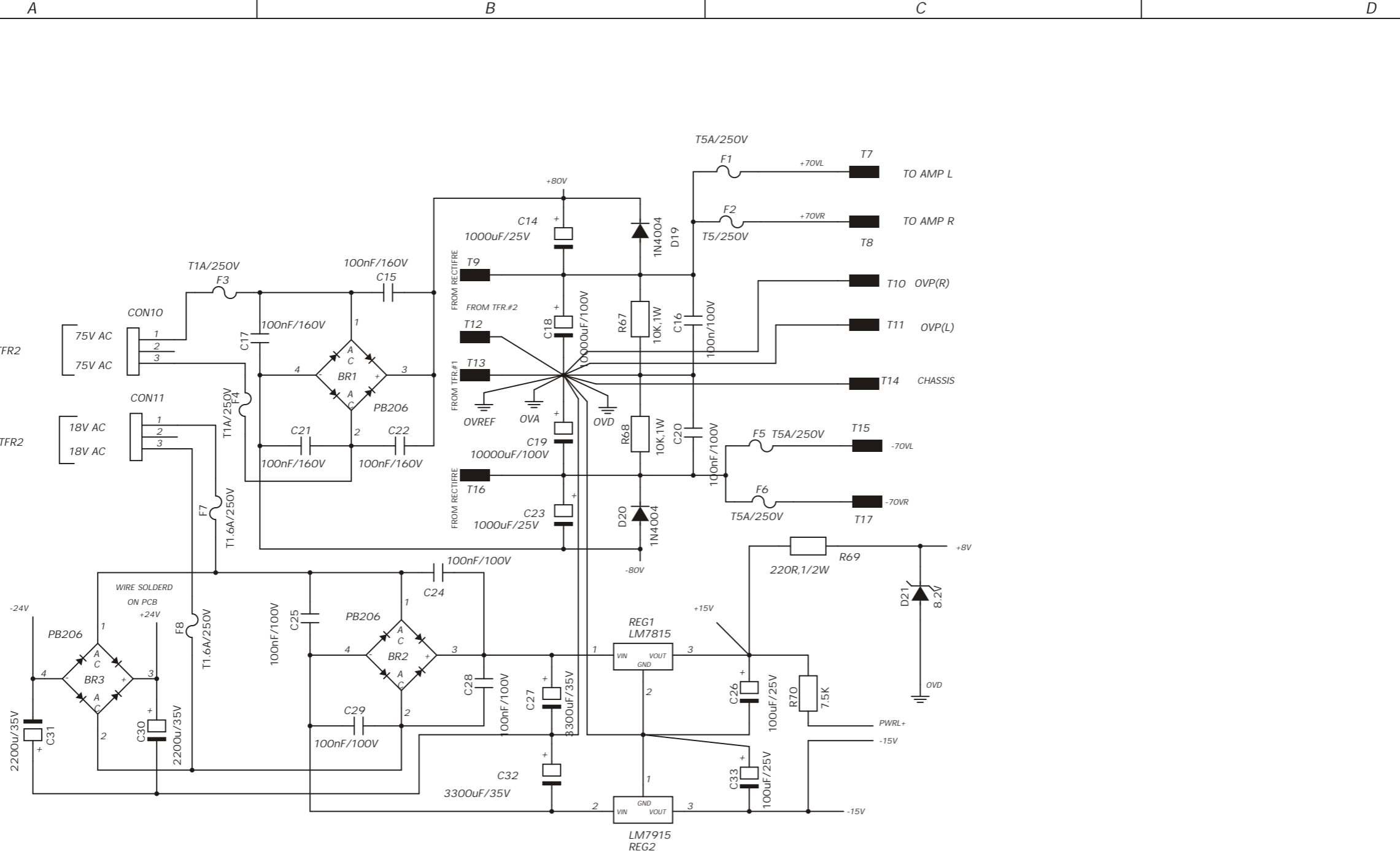
			STA-320	Title		SCHEMATIC FOR INPUT PCB	
3	20.12.00	R53 WAS LINK	MODEL	Size	Number	PCBUTA22	Rev
2	21.4.00	D1 TO D8 (1N4148) & Z1 TO Z2 (9.1V) ADDED	PCBNO	A2			3
REV	DATE	DESCRIPTION	DES' BY	Date	4.2.99	Drawn by	Surajit
			CHK' BY	Filename	INP.S01	Sheet	1 of 5
			APPD'BY				

NOTE : LINK 56 SHOULD BE 1.5K



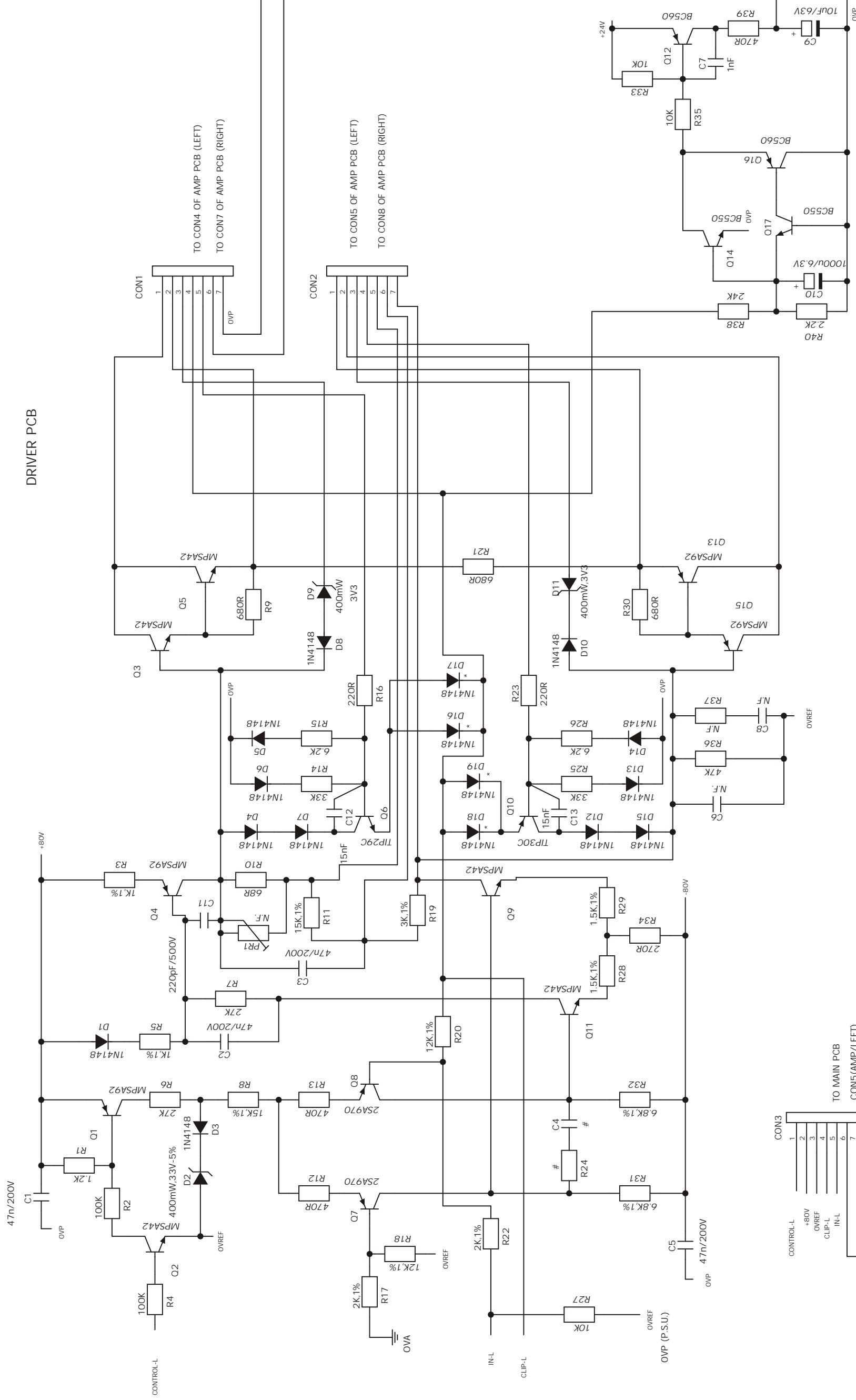
REV	DATE	DESCRIPTION
1	21-4-00	R16 & 27 VALUE MARKED TO 27K FROM 33K R52 & 53 VALUE MARKED TO 52K FROM 47K

STA 320 PROTECTION PCB



					MODEL	STA-320	Title:- SCHEMATIC FOR POWER SUPPLY PCB		
							Size	Drg.Number:-	Rev
1	21-4-00	F7 & F8 VALUE CHANGE TO 1.6A FROM 1A			PCBNO	9807002-3	9807001		
REV	DATE	DISCRIPTION			SIGN	DES' BY	Date:-	21.4.00	Drawn by:-
					APPD'BY	Surajit	Filename:-	POW-OP.S02	Sheet 2 Of 2

DRIVER PCB



REV.	DATE	DESCRIPTION	ENGG SIGN	DRN BY	APPD BY	DES: BY	PCBNO	Size	Drg.Number:-	Rev
3	21/04/00	O6 & O10 CHANGED TO TIP29C & TIP30C FROM BC549 & BC559 RESP.								
2	7/10/99	C12 AND C13 ADDED								
4	24/1/02	D16,D17,D18 & D19 ADDED FROM TRACK SIDE								

REV.	DATE	DESCRIPTION	ENGG SIGN	DRN BY	APPD BY	DES: BY	PCBNO	Size	Drg.Number:-	Rev
1	07/10/99						9806045-4		9806044	4

NOTE:-
* MARKED COMPONENT MOUNTED FROM TRACK SIDE

STATION: STA-320
Title: SCHEMATIC FOR DRV PCB
Date: 07/10/99
Filename: NEWDRV1.S01
Sheet: 1 Of 1
REVISED DATE: 29\3\99

1 2 3 4

A B C D

TO CON4 OF AMP PCB (LEFT)
TO CON7 OF AMP PCB (RIGHT)

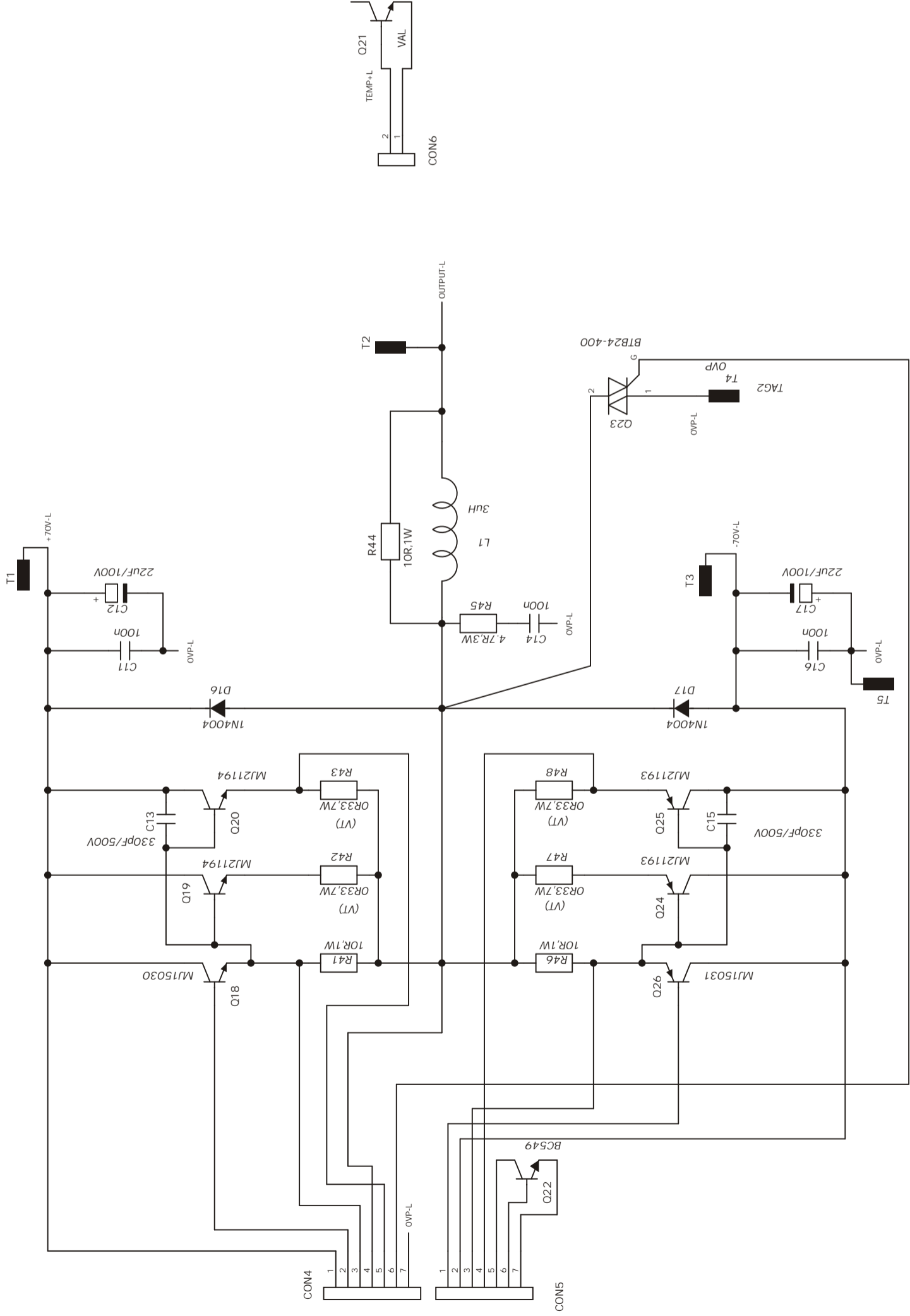
TO CON5 OF AMP PCB (LEFT)
TO CON8 OF AMP PCB (RIGHT)

CON1
CON2
CON3

CONTROL-L
+80V
OVP
OVP (P.S.U.)
IN-L
CLIP-L
+24V
OVA

TO MAIN PCB
CON5 (AMP/LEFT)
CON9 (AMP/RIGHT)

POWER AMPLIFIER(LEFT CHANNEL)

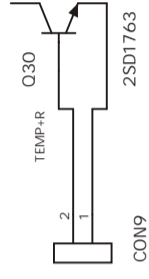
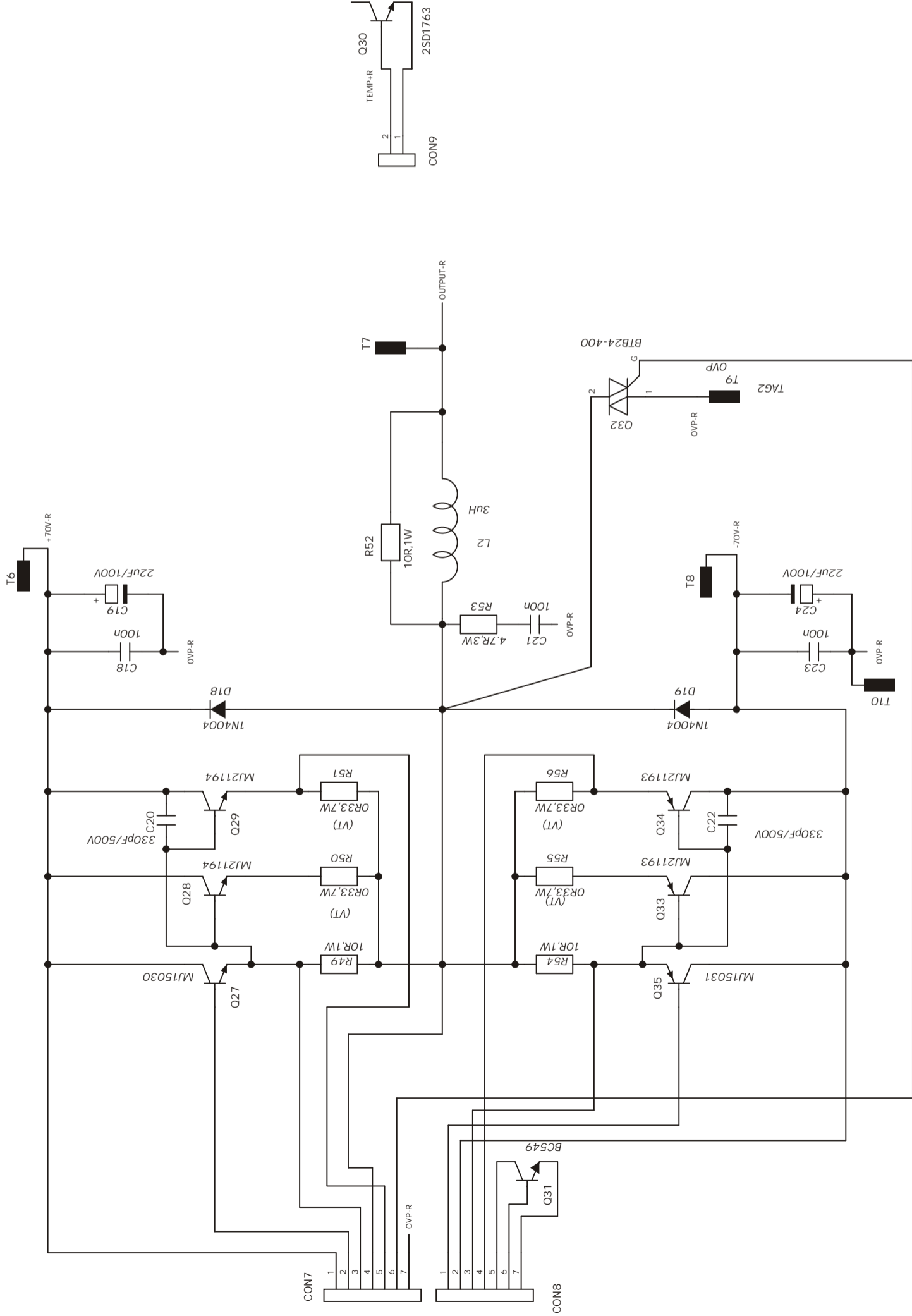


REV.	DATE	DESCRIPTION	ENG SIGN	DRN BY	APP'D BY
2	23/02/02	Q19,Q20,Q28 & Q29 CHANGE FROM MJ15022 TO MJ21194 & Q24,Q25-Q33 & Q34 CHANGE FROM MJ15023 TO MJ21193			
1	21-4-00	Q18 & Q26 CHANGE TO MJ15030 & MJ15031 FROM 25C4793 & 25A1837			

STA-320	MODEL	Size	Date:-	Filename:-	Sheet	1 Of
	SHRI	9806043	23/2/02	NEWAMP1_S01	1	2
	SHRI					

Title:- SCHEMATIC FOR AMP PCB
 Drg.Number:- 9806042
 Drawn by:- Shrikant
 Date:- 23/2/02
 File name:- NEWAMP1_S01

POWER AMPLIFIER(RIGHT CHANNEL)



REV.	DATE	DESCRIPTION	ENG SIGN	DRN BY	DES. BY	PCBNO	Size	Title:-
2	23/02/02	Q19,Q20,Q28 & Q29 CHANGE FROM MJ15022 TO MJ21194 & Q24,Q25,Q33 & Q34 CHANGE FROM MJ15023 TO MJ21193			SHRI			STA-320
1	21-4-00	Q27 & Q35 CHANGE TO MJ15030 & MJ15031 FROM 2SC4793 & 2SA1837		SHRI	SHRI	9806043	Drg.Number:- 9806042	SCHMATIC FOR AMP PCB
							Date:- 23/02/2002	Drawn by:- Shrikant
							Filename:- NEWAMP1.S02	Sheet 2 Of 2

1

C

B

A

1

2

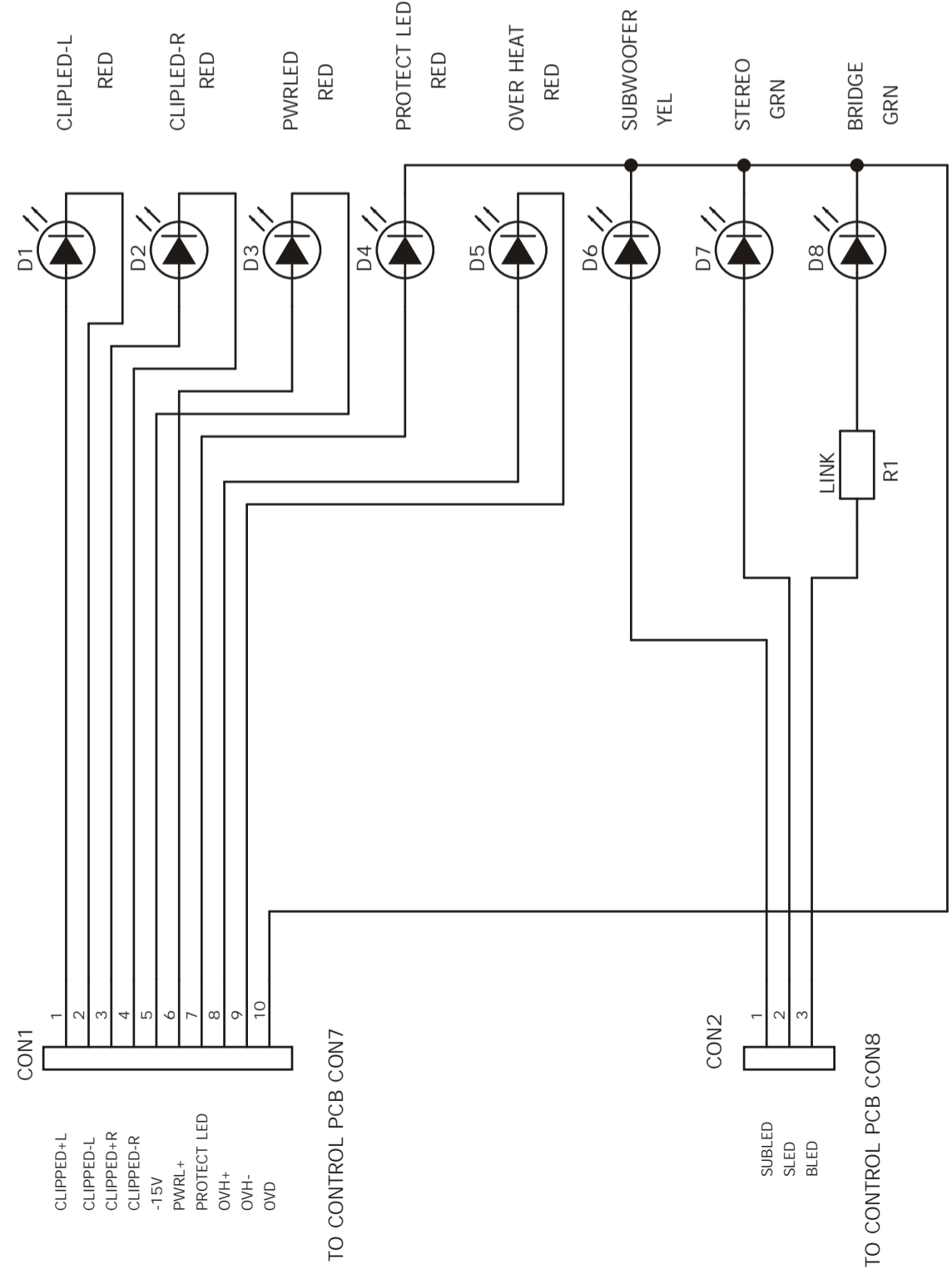
2

3

3

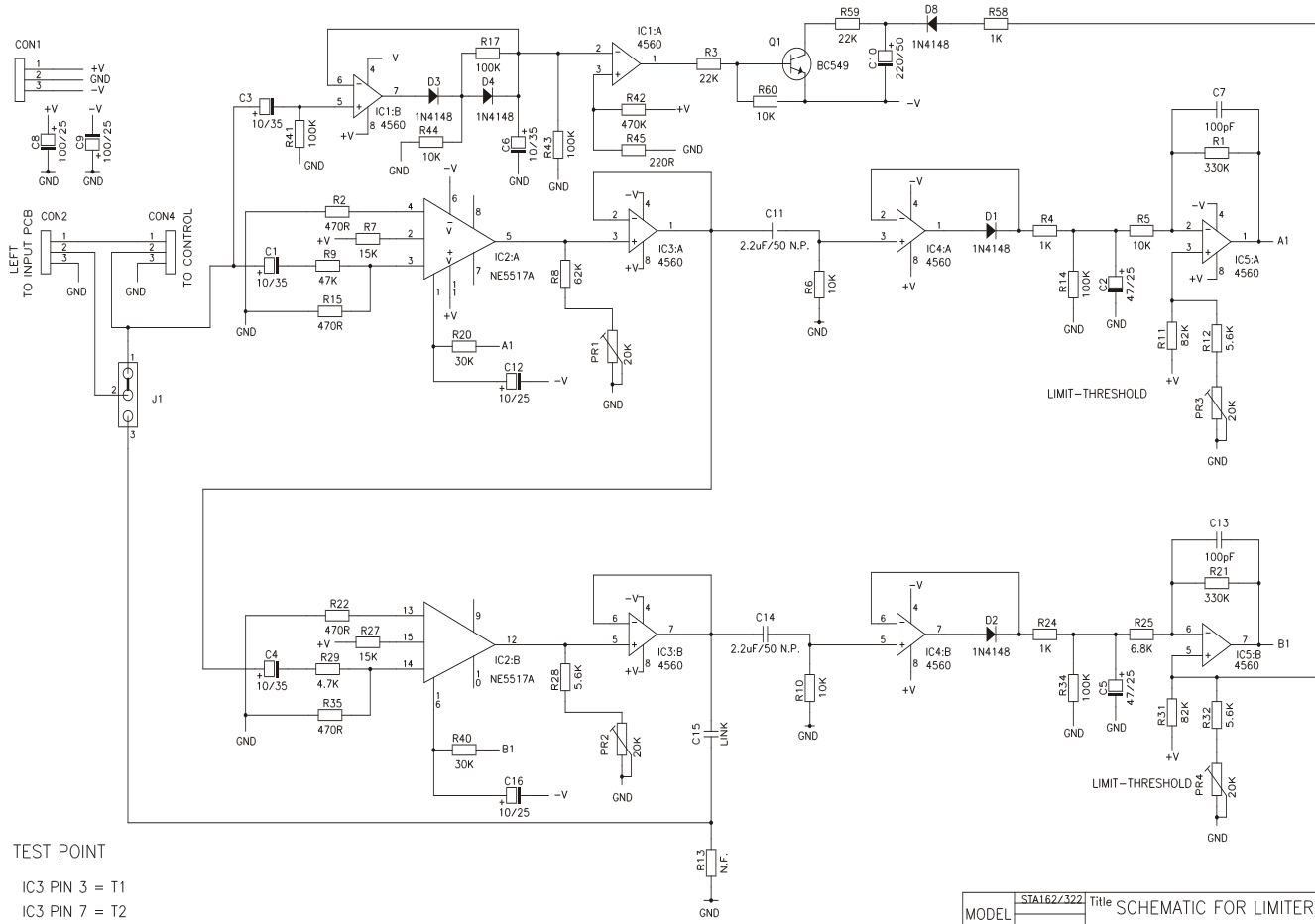
4

4



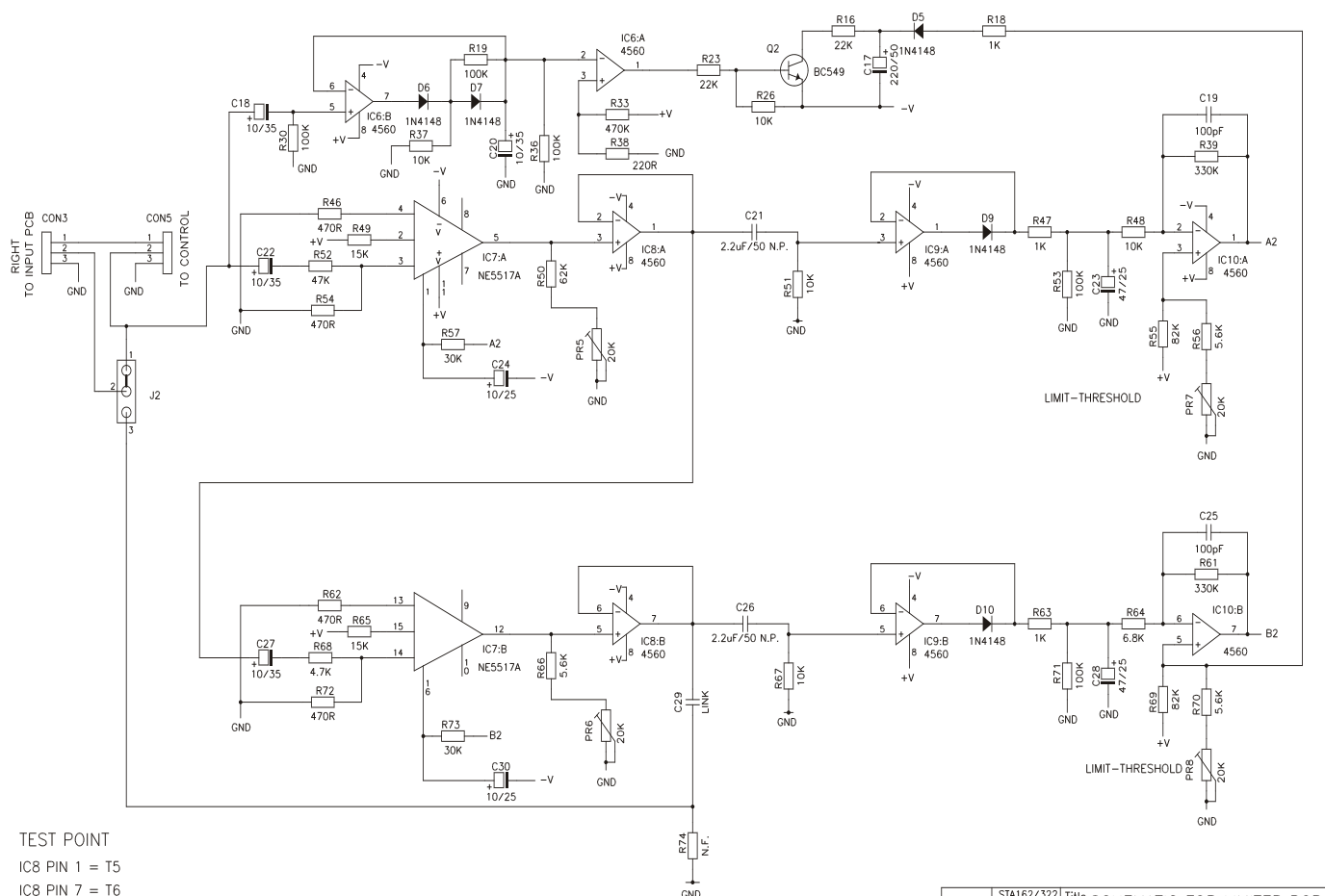
1	06/1/01	RESISTOR R1 CHANGED TO LINK	SPS	STA-320	LED CIRCUIT	Size	9803067	Rev	2
1	23/1/99	RESISTOR R1 ADDED	SPS	9803068-1	MODEL	Date:-	22/4/98	Drawn by:-	Shrikant
P1	25/5/98	PIN 5 AND 6 OF CON1 INTERCHANGE	SPS		PCBNO	Filename:-	LED.S01	Sheet	Of
REV.	DATE	DESCRIPTION	ENGG SIGN	DRN BY	APPD'BY				

REVISED DATE:-06\01\2001



TEST POINT
 IC3 PIN 3 = T1
 IC3 PIN 7 = T2
 IC5 PIN 3 = T3
 IC5 PIN 5 = T4

MODEL	ST162Z/322		Title	SCHEMATIC FOR LIMITER PCB	
PCBNO	PCBUWA22-0	Size	A3	Number	PCBUWA22
DES' BY	Surajit			Rev	0
CHK' BY		Date	29.4.03	Drawn by	Surajit
APP'D BY		Filename	LAA.S01	Sheet	1 of



TEST POINT

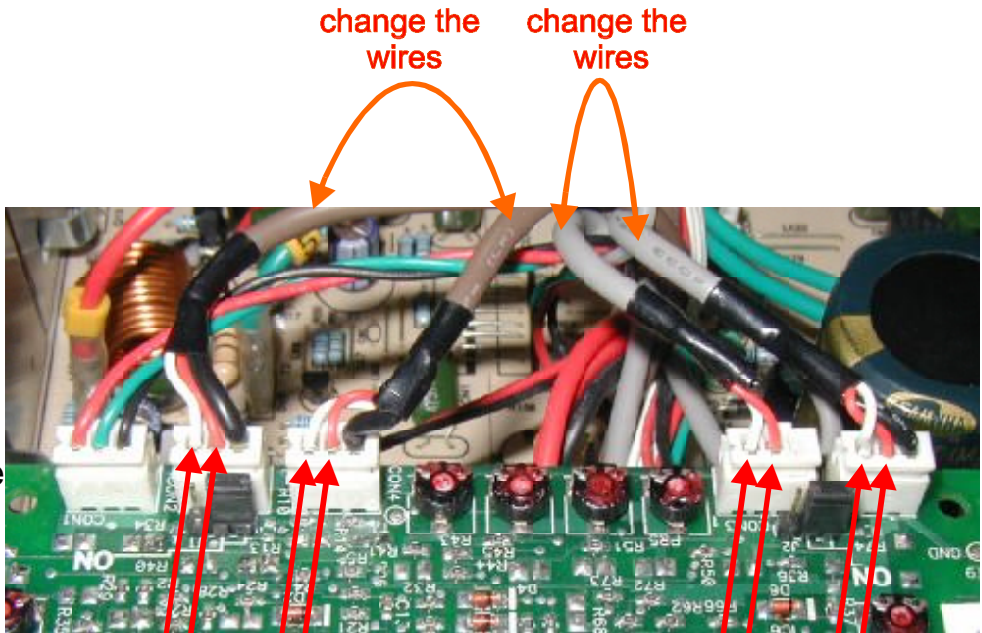
- IC8 PIN 1 = T5
- IC8 PIN 7 = T6
- IC10 PIN 3 = T7
- IC10 PIN 5 = T8
- GROUND TEST PIN = T9

MODEL	ST1A16Z/32Z		Title	SCHEMATIC FOR LIMITER PCB	
PCBNO	PCBUWA22-0	Size	A3	Number	PCBUWA22
DES' BY	Surajit	Date	29.4.03	Drawn by	Surajit
CHK' BY		Filename	LAA:S02	Sheet	2 of
APPD'BY					

Modification for the STA-162 Limiter wiring

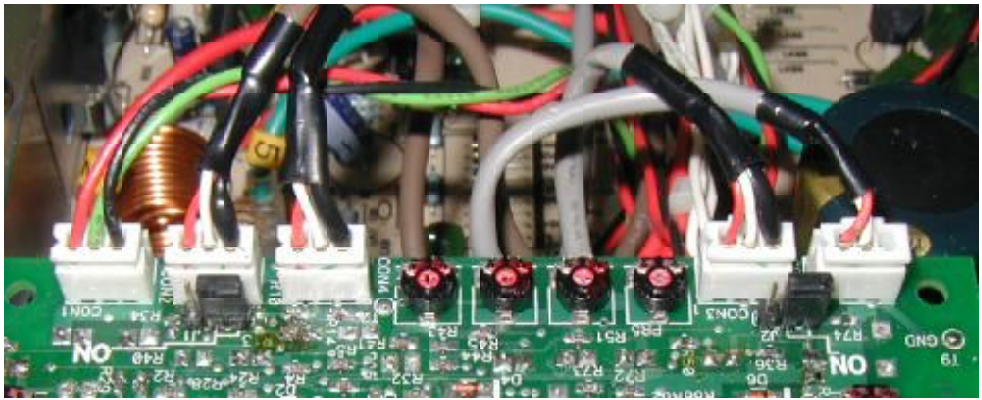
With this modification the limiter circuit will be set before the volume control.

This picture shows the circuit **before** the change

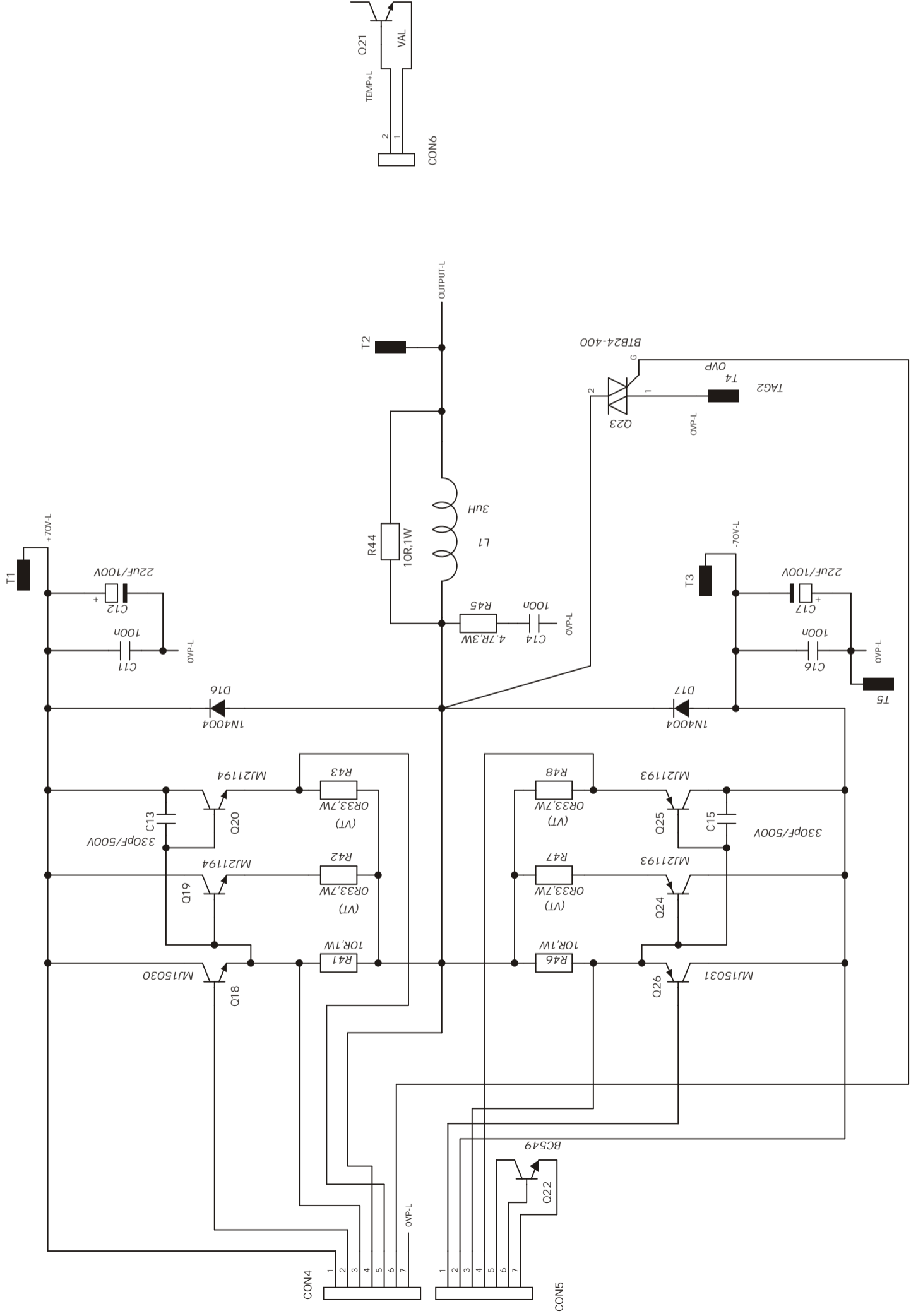


change the red and the white wire in every connector

This picture shows the circuit **after** the change



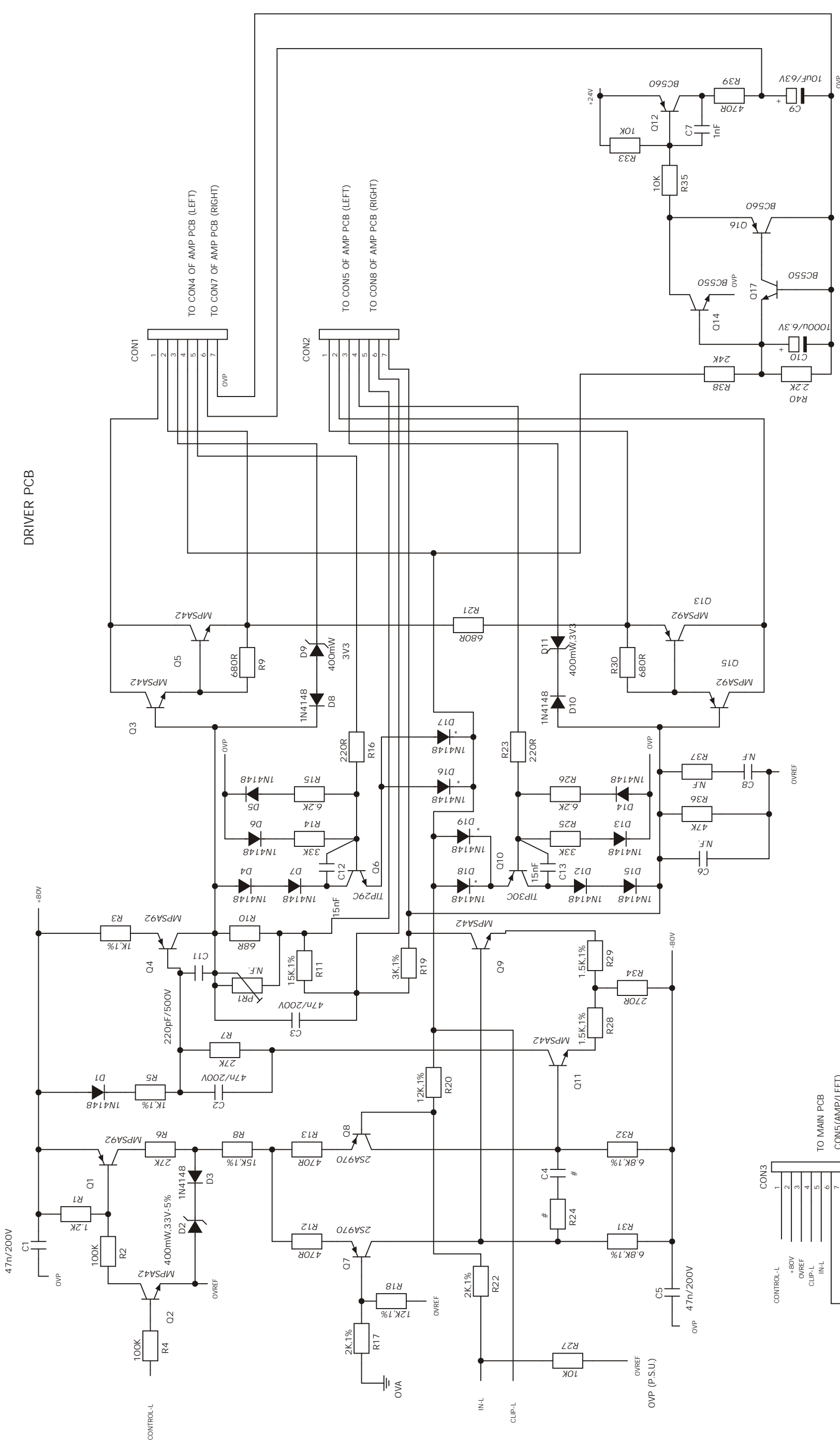
POWER AMPLIFIER(LEFT CHANNEL)



REV.	DATE	DESCRIPTION
2	23/02/02	Q19,Q20,Q28 & Q29 CHANGE FROM MJ15022 TO MJ21194 & Q24,Q25-Q33 & Q34 CHANGE FROM MJ15023 TO MJ21193
1	21-4-00	Q18 & Q26 CHANGE TO MJ15030 & MJ15031 FROM 2SC4793 & 2SA1837

STA-320	MODEL	Size	Date:-	Filename:-
	SHRI	9806043	23/2/02	NEWAMP1_S01
	SHRI	9806043		
	DRN BY	DES: BY	Drawn by:-	Sheet 1 Of 2
	ENGG SIGN	APPD/BY	Strikant	

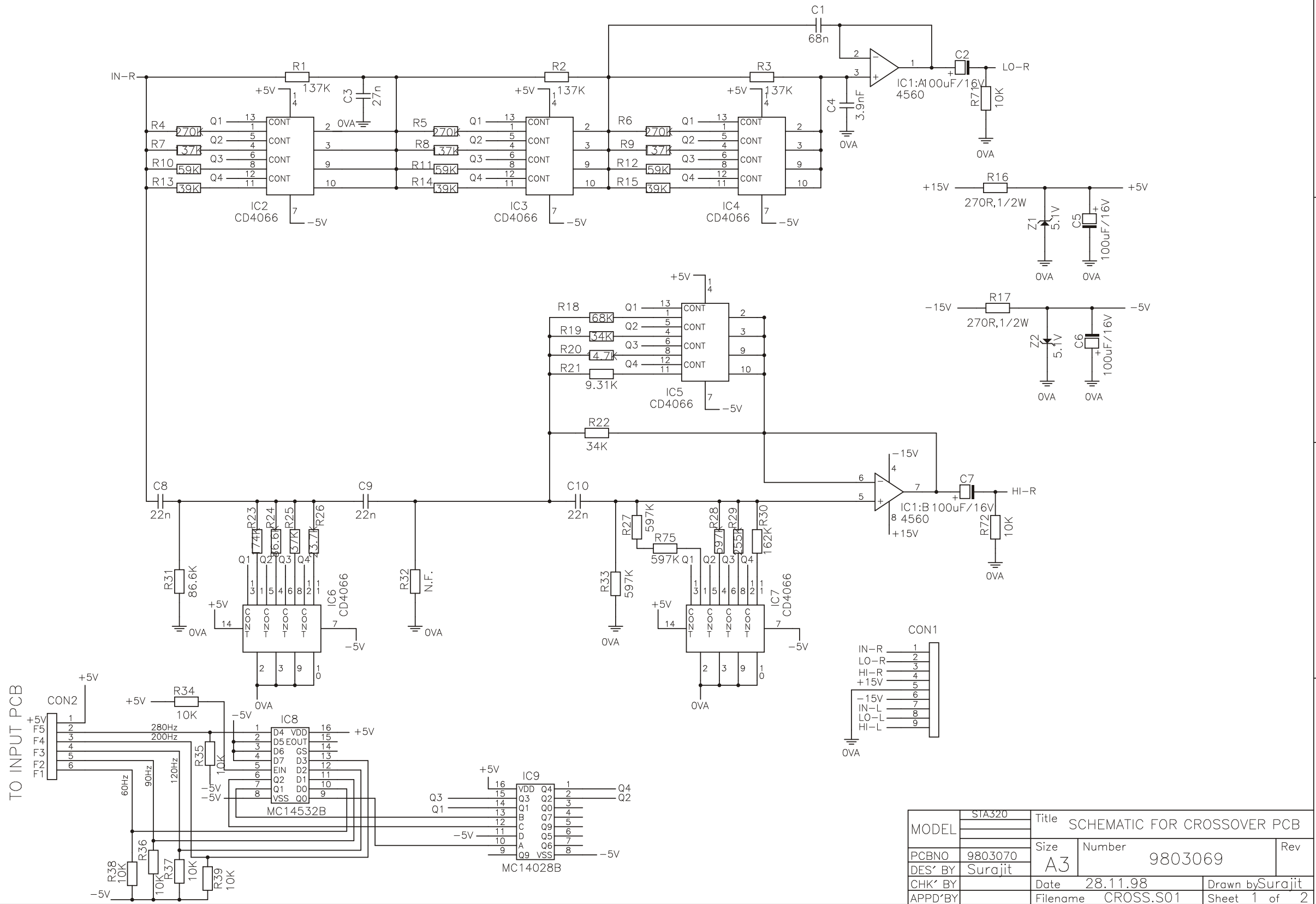
DRIVER PCB



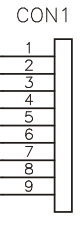
REV.	DATE	DESCRIPTION	ENGG SIGN	DRN BY	APPD BY	DES: BY	PCBNO	Size	Drg.Number:-	Title:-	
3	21/04/00	O6 & O10 CHANGED TO TIP29C & TIP30C FROM BC549 & BC559 RESP.						STA-320		SCHEMATIC FOR DRV PCB	
2	7/10/99	C12 AND C13 ADDED									
4	24/1/02	D16, D17, D18 & D19 ADDED FROM TRACK SIDE									
REV.	DATE	DESCRIPTION	ENGG SIGN	DRN BY	APPD BY	DES: BY	PCBNO	Size	Drg.Number:-	Title:-	

REV.	DATE	DESCRIPTION	ENGG SIGN	DRN BY	APPD BY	DES: BY	PCBNO	Size	Drg.Number:-	Title:-	
3	21/04/00	O6 & O10 CHANGED TO TIP29C & TIP30C FROM BC549 & BC559 RESP.						STA-320		SCHEMATIC FOR DRV PCB	
2	7/10/99	C12 AND C13 ADDED									
4	24/1/02	D16, D17, D18 & D19 ADDED FROM TRACK SIDE									
REV.	DATE	DESCRIPTION	ENGG SIGN	DRN BY	APPD BY	DES: BY	PCBNO	Size	Drg.Number:-	Title:-	

NOTE:-
* MARKED COMPONENT MOUNTED FROM TRACK SIDE



TO INPUT PCB



MODEL	STIA320	Title SCHEMATIC FOR CROSSOVER PCB		
PCBNO	9803070	Size A3	Number 9803069	Rev
DES' BY	Surajit	Date 28.11.98	Drawn by Surajit	
CHK' BY		Filename CROSS.S01	Sheet 1 of 2	
APPD' BY				