

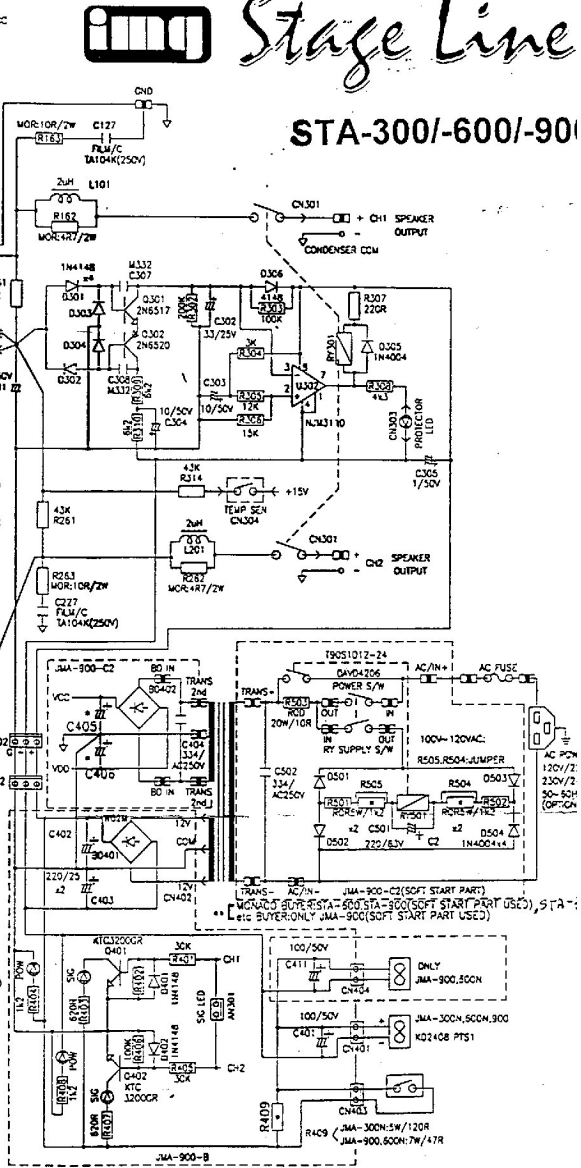
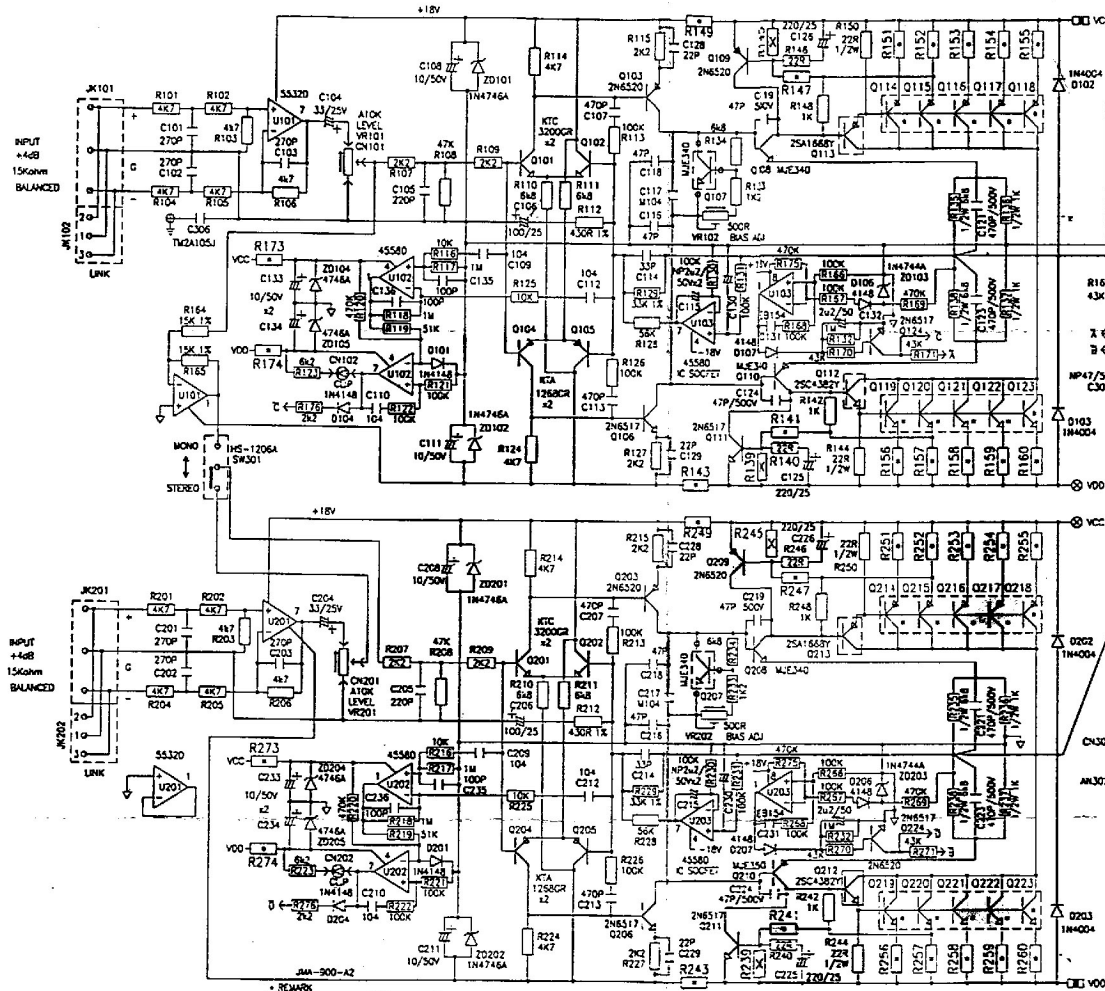


Stage Line

STA-300/600/900

CHANNEL 1

CHANNEL 2



| TR./D. | PART NO. | DESCRIPTION | TR. Emitter Resistor | TR. Emitter Resistor | TR. Emitter Resistor | TR. Emitter Resistor | TR. Emitter Resistor | TR. Emitter Resistor | TR. Emitter Resistor |
|---|----------|--|----------------------|----------------------|----------------------|----------------------|----------------------|--------------------------|--------------------------|
| B C E25A1668,25C-1482 A1492, C2856 | JMA-300N | A1492: 45A (0115, 0116, 0215, 0218) | R143, R149 | R243, R249 | C425, C406 | 50-022 | F401 | R123, R174 R273, R274 | R141, R147 R241, R247 |
| E B C2N6520, 2N6517 E C B MJE340, etc TR | JMA-600N | C3856: 45A (0120, 0121, 0220, 0221) | | | | | | | |
| | JMA-900 | A1492: 85A (0114 ~ 0117, 0214 ~ 0217) C3856: 85A (0119 ~ 0122, 0219 ~ 0222) | | | | | | | |
| | JMA-300A | A1492: 100A (0114 ~ 0118, 0214 ~ 0218) | | | | | | | |
| | JMA-900 | C3856: 100A (0119 ~ 0123, 0219 ~ 0223) | | | | | | | |

END NO.
C - C136, C236, C208
D - D107, D207, D305
R - R176, R276, R374
G - G124, G224, G302

JMA-900-C (SOFT START PART)
JMA-900-D (SOFT START PART)
JMA-900-E (SOFT START PART)
JMA-900-F (SOFT START PART)
JMA-900-G (SOFT START PART)
JMA-900-H (SOFT START PART)
JMA-900-I (SOFT START PART)
JMA-900-J (SOFT START PART)
JMA-900-K (SOFT START PART)
JMA-900-L (SOFT START PART)
JMA-900-M (SOFT START PART)
JMA-900-N (SOFT START PART)
JMA-900-O (SOFT START PART)
JMA-900-P (SOFT START PART)
JMA-900-Q (SOFT START PART)
JMA-900-R (SOFT START PART)
JMA-900-S (SOFT START PART)
JMA-900-T (SOFT START PART)
JMA-900-U (SOFT START PART)
JMA-900-V (SOFT START PART)
JMA-900-W (SOFT START PART)
JMA-900-X (SOFT START PART)
JMA-900-Y (SOFT START PART)
JMA-900-Z (SOFT START PART)