

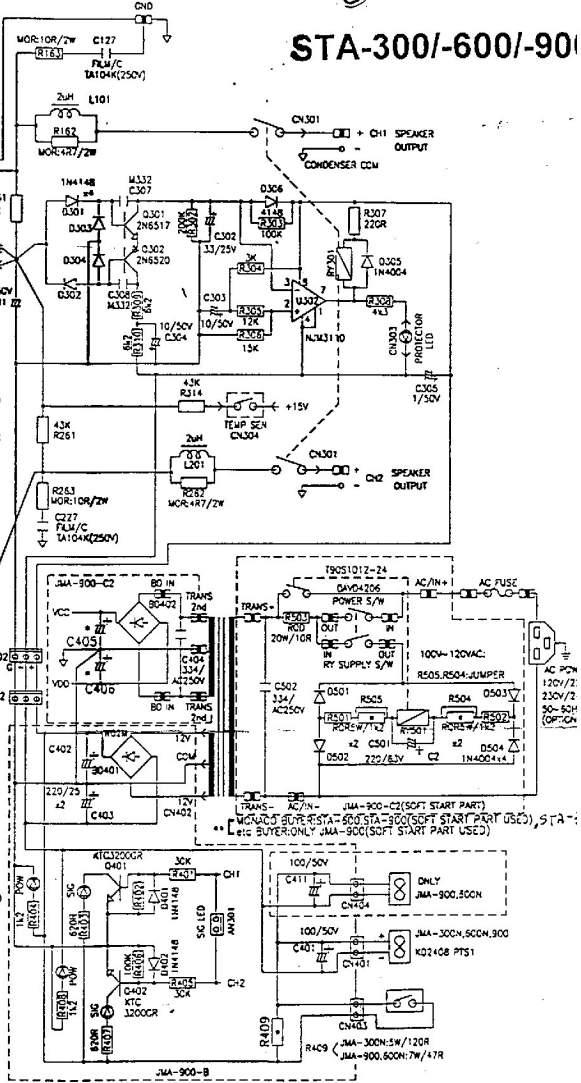
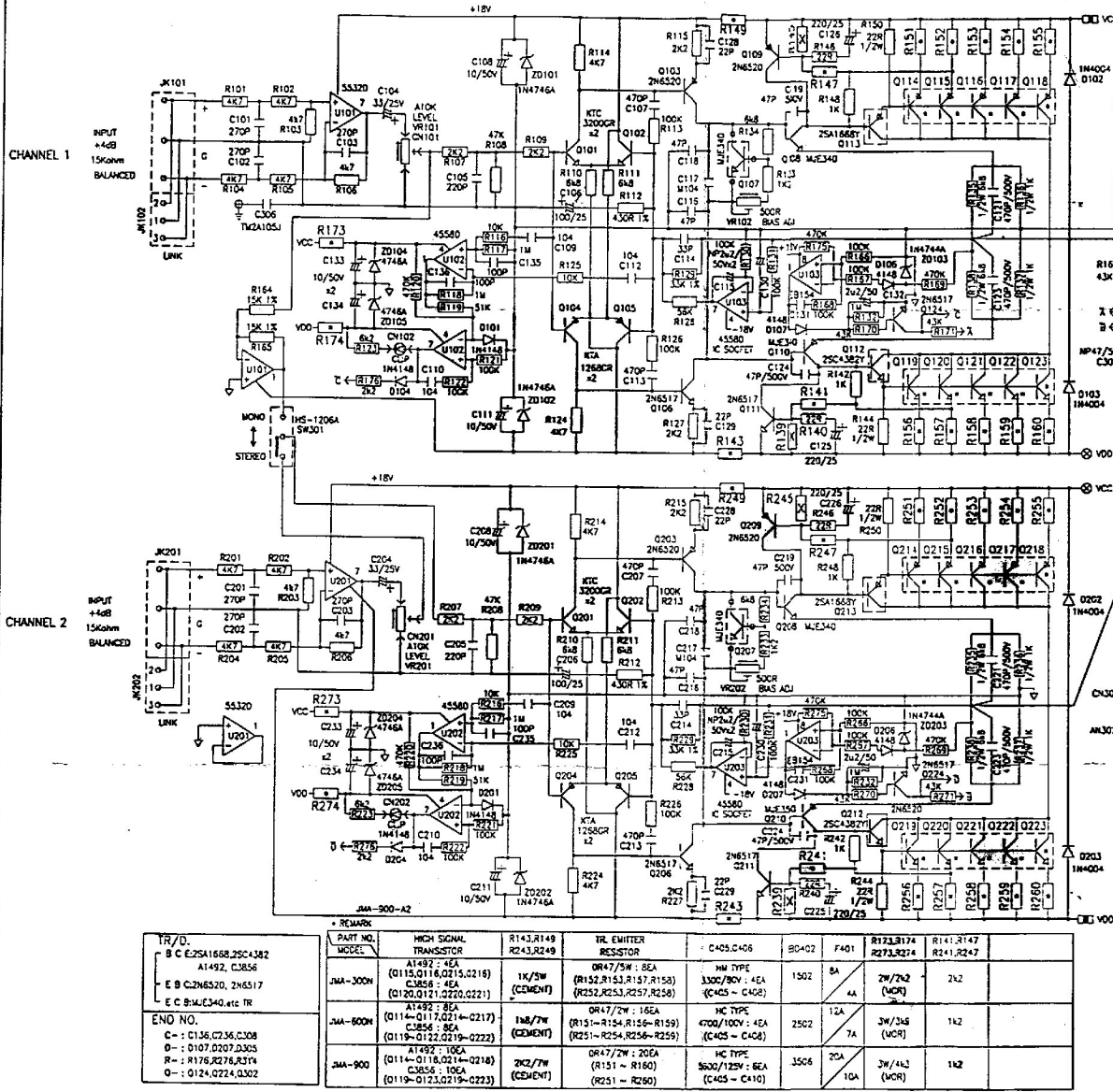


# Stage Line

## STA-300-600-900

CHANNEL 1

CHANNEL 2



TR./D.	PART NO.	WGEEL.	HIGH SIGNAL TRANSISTOR	R143,R149 R243,R249	TR. EMITTER RESISTOR	C 405,C406	90-02	F401	R173,R174 R273,R274	R141,R147 R241,R247
B C E25A1668,25C-1462 A1492, C2856	JMA-300N		A1492-45A (0115,0116,0215,0216) C3856-45A (0120,0121,0220,0221)	1K/5W (CEMENT)	0R47/5W: 85A (R152,R153,R157,R158) (R252,R253,R257,R258)	3300/50V: 45A (C405 ~ C402)	1502	8A 4A	2W/202 2W/202	2x2
E B C2N6520, 2N6517 E C B MJE340, etc TR	JMA-600N		A1492-85A (0114~0117,0214~0217) C3856-85A (0119~0122,0219~0222)	1W/7W (CEMENT)	0R47/2W: 165A (R151~R154,R156~R159) (R251~R254,R256~R259)	HC TYPE 4700/100V: 45A (C405 ~ C402)	2502	12A 7A	3W/346 3W/346	1x2
END NO.	JMA-900		A1492-100A (0114~0118,0214~0218) C3856-100A (0119~0123,0219~0223)	2K2/7W (CEMENT)	0R47/2W: 205A (R151 ~ R160) (R251 ~ R260)	HC TYPE 5600/125V: 65A (C45 ~ C410)	3506	20A 10A	3W/443 3W/443	1x2

TR./D.  
B C E25A1668,25C-1462  
A1492, C2856  
E B C2N6520, 2N6517  
E C B MJE340, etc TR

END NO.  
C - C136,C236,C208  
D - D107,D207,D305  
R - R176,R276,R374  
G - G124,G224,G302

