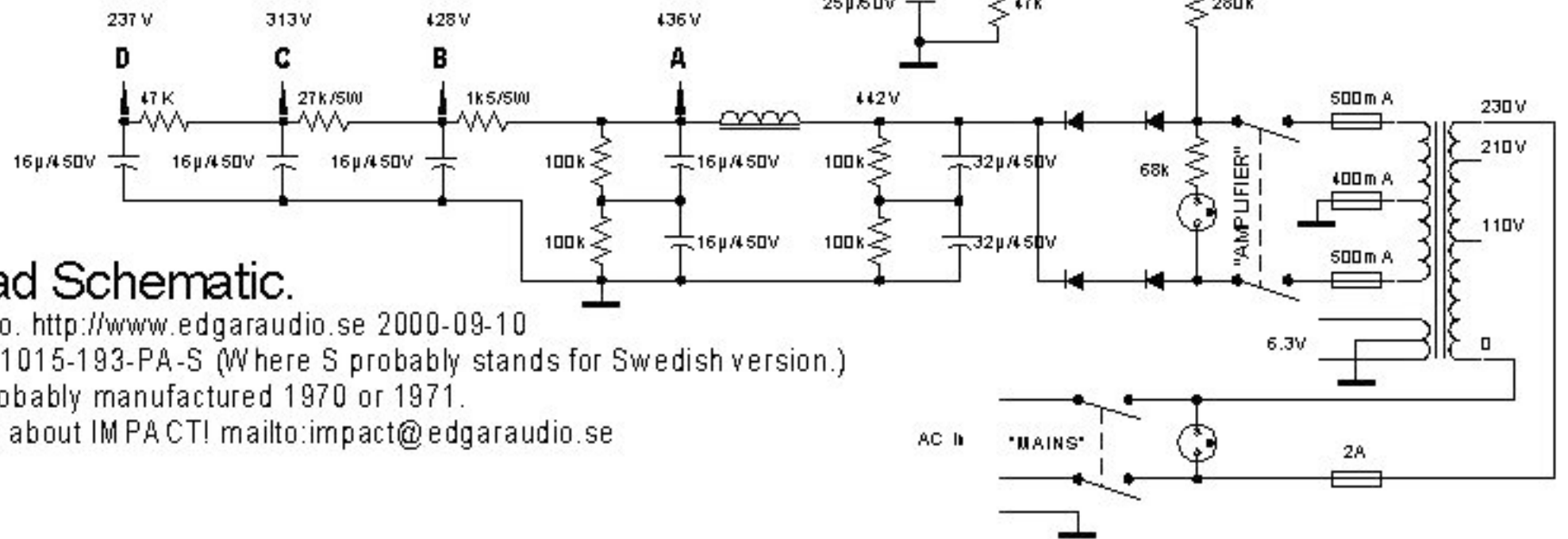


V1 - V3: ECC83/12AX7  
 V4 - V5: EL34



## IMPACT 60W Amp Head Schematic.

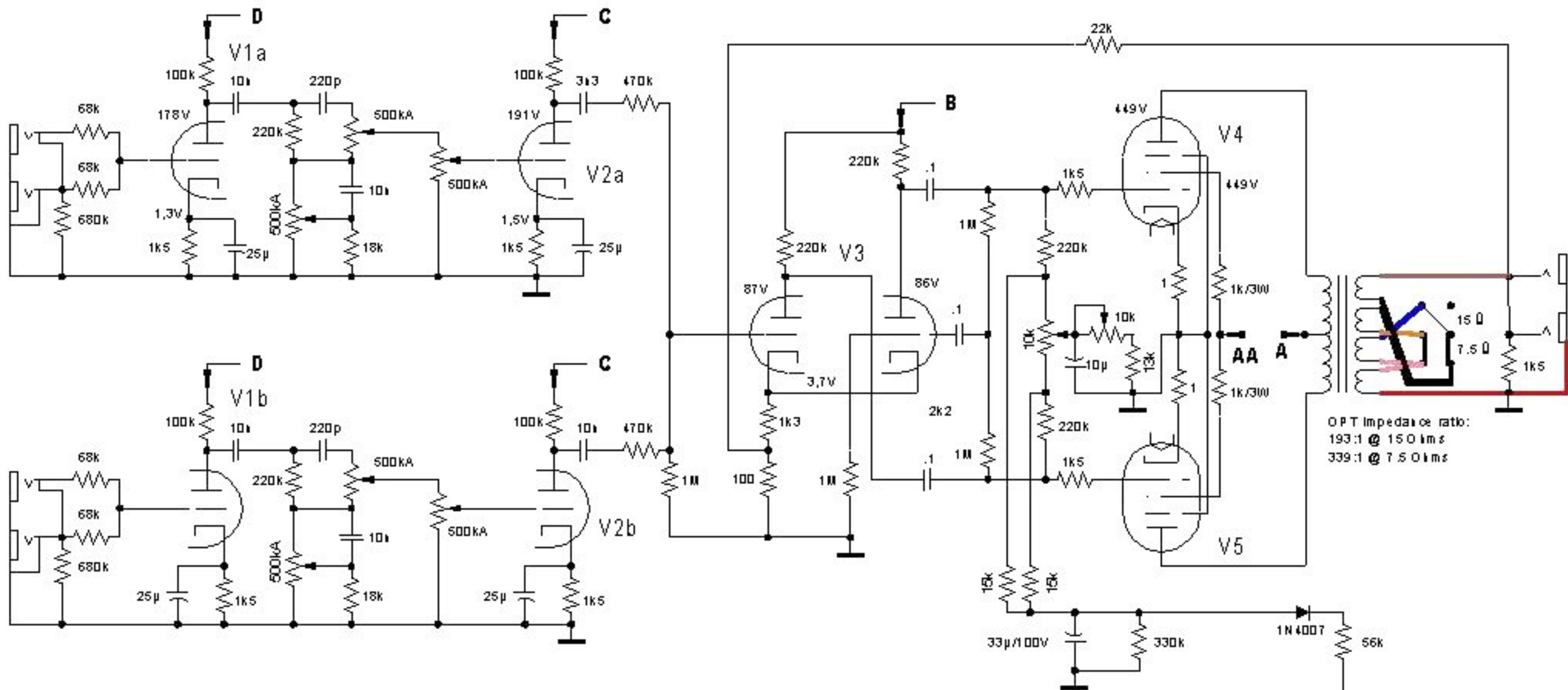
Drawn by Sixten Forsén, EDGAR Audio. <http://www.edgaraudio.se> 2000-09-10

All values from amp with serialnumber 1015-193-PA-S (Where S probably stands for Swedish version.)

This is an English Bass/Guitar amp, probably manufactured 1970 or 1971.

Please e-mail me if You know anything about IMPACT! <mailto:impact@edgaraudio.se>

Updated 2002-12-28

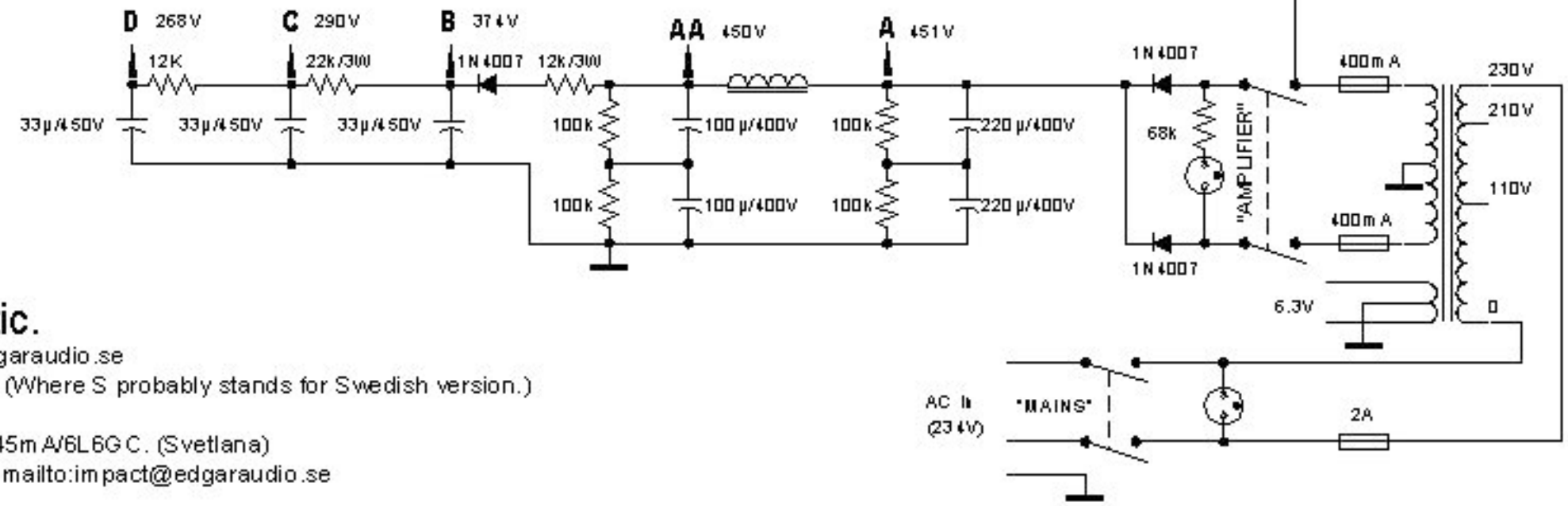


OPT Impedance ratio:  
 193:1 @ 150 Ωms  
 339:1 @ 7.5 Ωms

- V1 - V2: ECC83/12AX7
- V3: ECC82/12AU7
- V4 - V5: 6L6GC

### IMPACT 60W Amp Head Schematic.

Drawn by Sixten Forsén, EDGAR Audio. <http://www.edgaraudio.se>  
 All values from amp with serial number 1015-193-P-A-S (Where S probably stands for Swedish version.)  
 Modified, rev. 2  
 Voltages measured with a quiescent cathode current of 45mA/6L6GC. (Svetlana)  
 Please e-mail me if You know anything about IMPACT! <mailto:impact@edgaraudio.se>  
 Updated 2003-01-17



AC II  
 (234V)



\*MAINS\*

2A