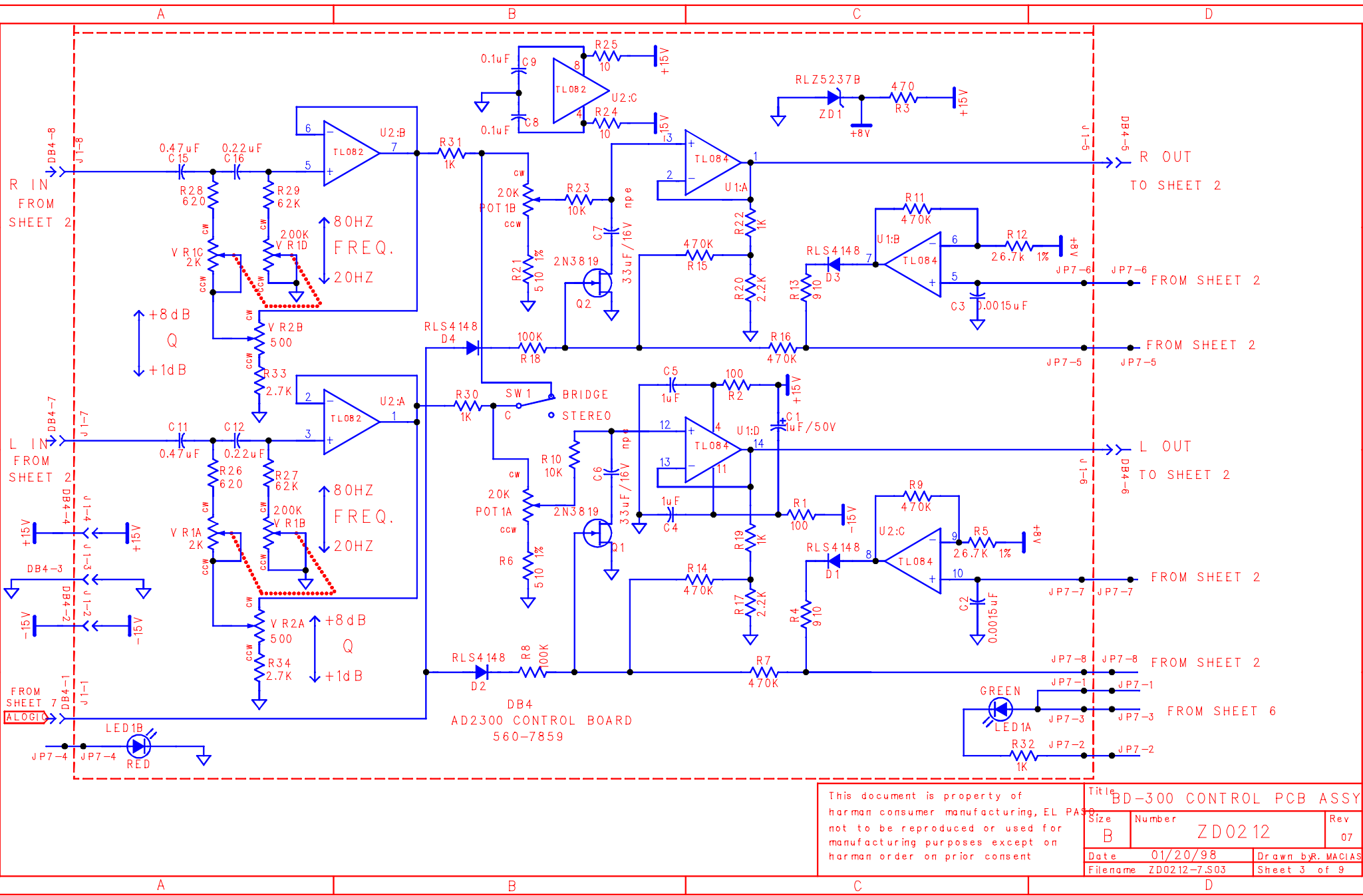


# BD-300 BLOCK DIAGRAM

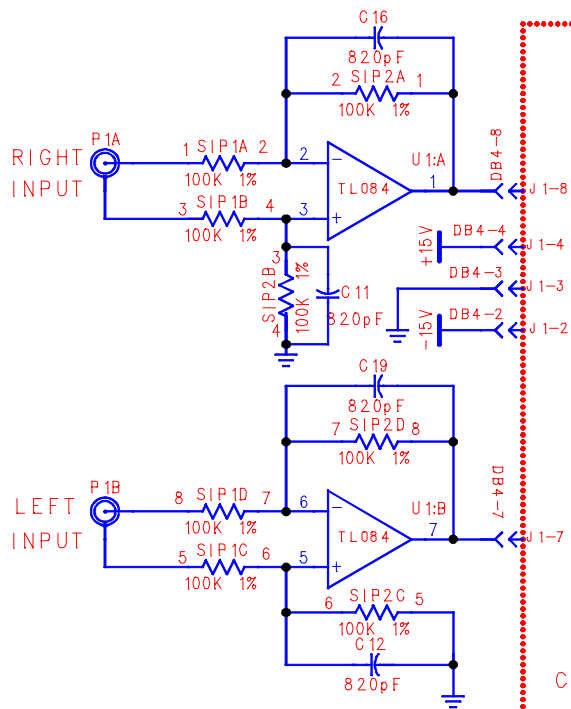
This document is property of  
harman consumer manufacturing, EL PASO.  
not to be reproduced or used for  
manufacturing purposes except on  
harman order on prior consent

harman consumer manufacturing, EL PASO.  
DESIGNED BY: INFINITY SYSTEMS, INC.  
CHECKED BY: V. CAMPOS  
RELEASED BY: M. RODRIGUEZ  
DOCUMENT CONTROL: FRED COOLEY

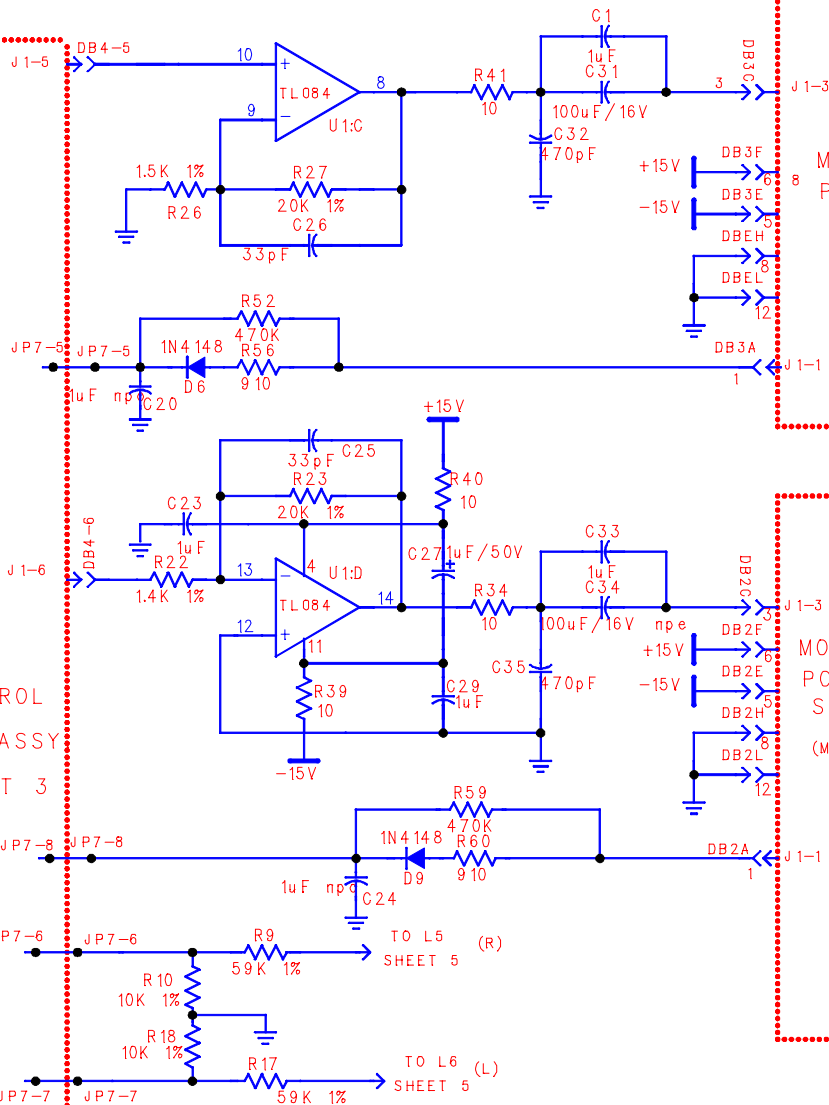
Title			BD-300 BLOCK DIAGRAM		
Size	Number	Rev			
B	ZD0212	07			
Date	01/20/98	Drawn by:	MACIAS		
Filename	ZD0212-7.S01	Sheet	1 of 9		



This document is property of harman consumer manufacturing, EL PASO, TEXAS. It is not to be reproduced or used for manufacturing purposes except on harman order on prior consent.			Title: <b>BD-300 CONTROL PCB ASSY</b>		
Size: <b>B</b>	Number: <b>ZD0212</b>	Rev: <b>07</b>			
Date: <b>01/20/98</b>	Drawn by: <b>MACIAS</b>				
Filename: <b>ZD0212-7.S03</b>	Sheet 3 of 9				



CONTROL  
PCB ASSY  
SHEET 3

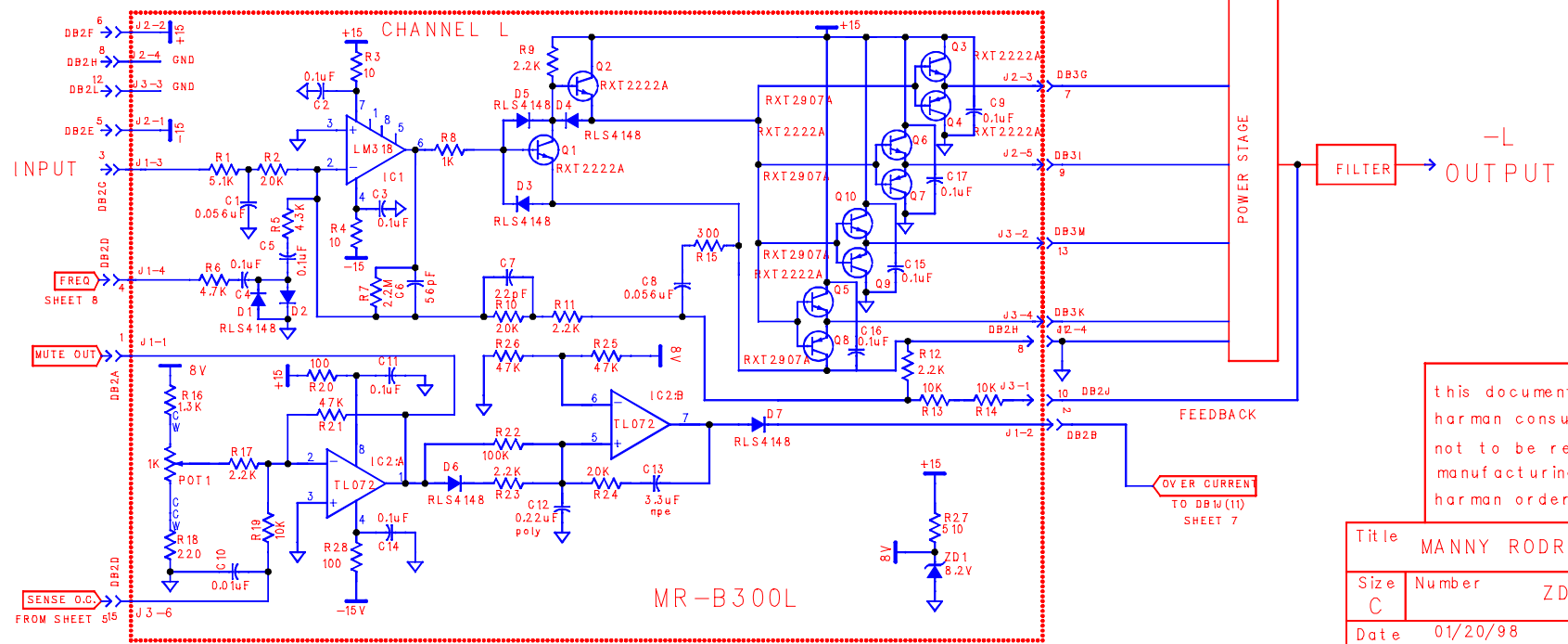
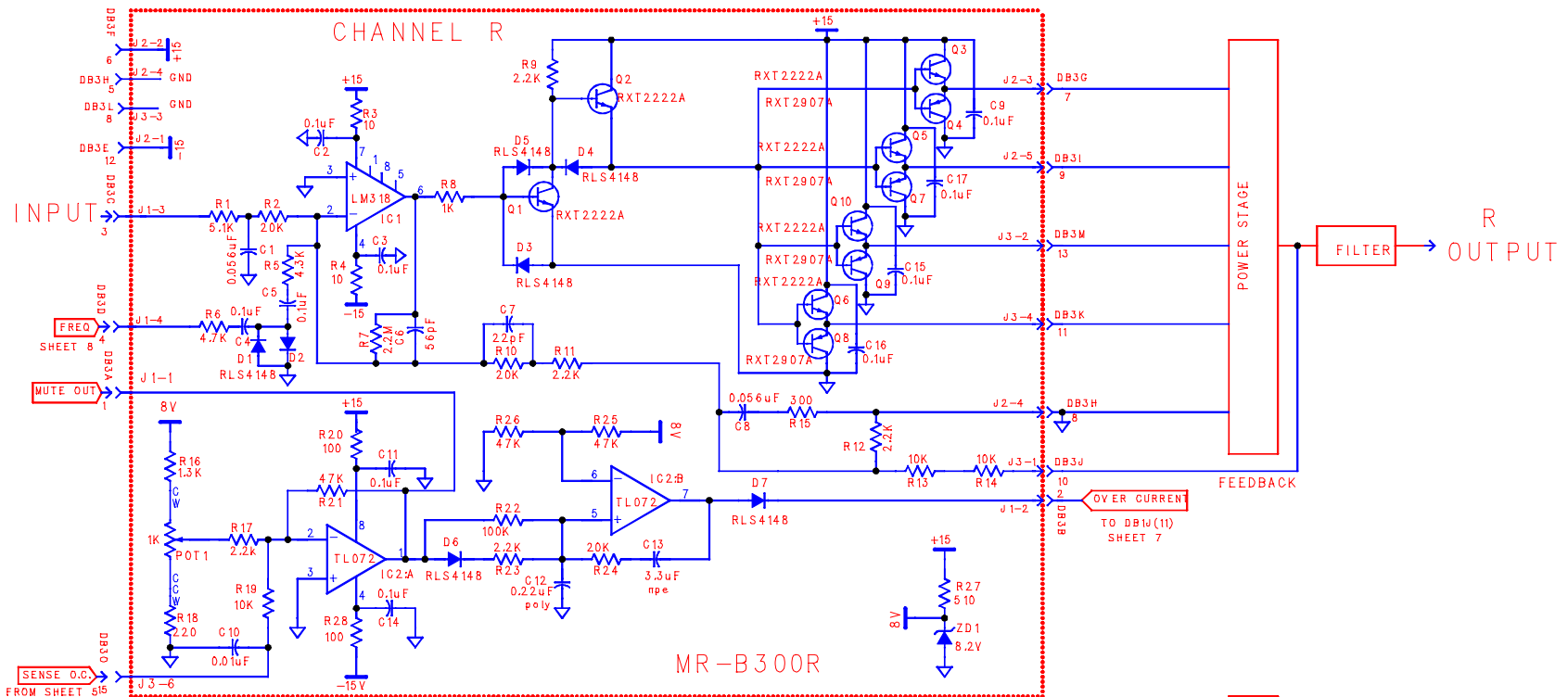


MODULATOR  
PCB ASSY  
SHEET 4  
(MR-B300R)

MODULATOR  
PCB ASSY  
SHEET 4  
(MR-B300L)

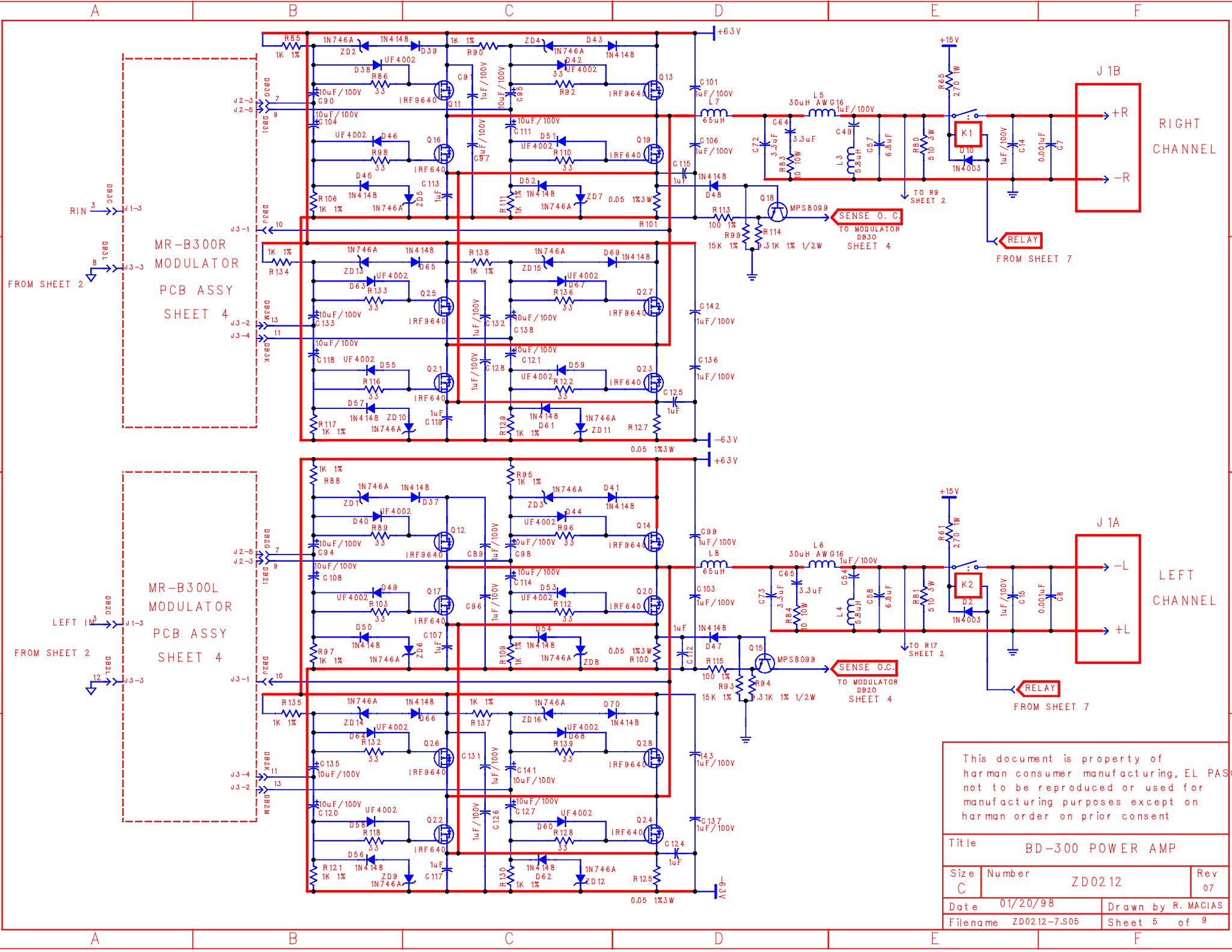
This document is property of  
harman consumer manufacturing, EL PASO,  
not to be reproduced or used for  
manufacturing purposes except on  
harman order or prior consent

Title			BD-300 MAIN BOARD		
Size	Number	Rev			
B	ZD0212	07			
Date	01/20/98	Drawn	bR. MACIA		
Filename	ZD0212-7.S02	Sheet	2 of 9		



this document is property of harman consumer manufacturing, E.L.P. not to be reproduced or used for manufacturing purposes except on harman order on prior consent

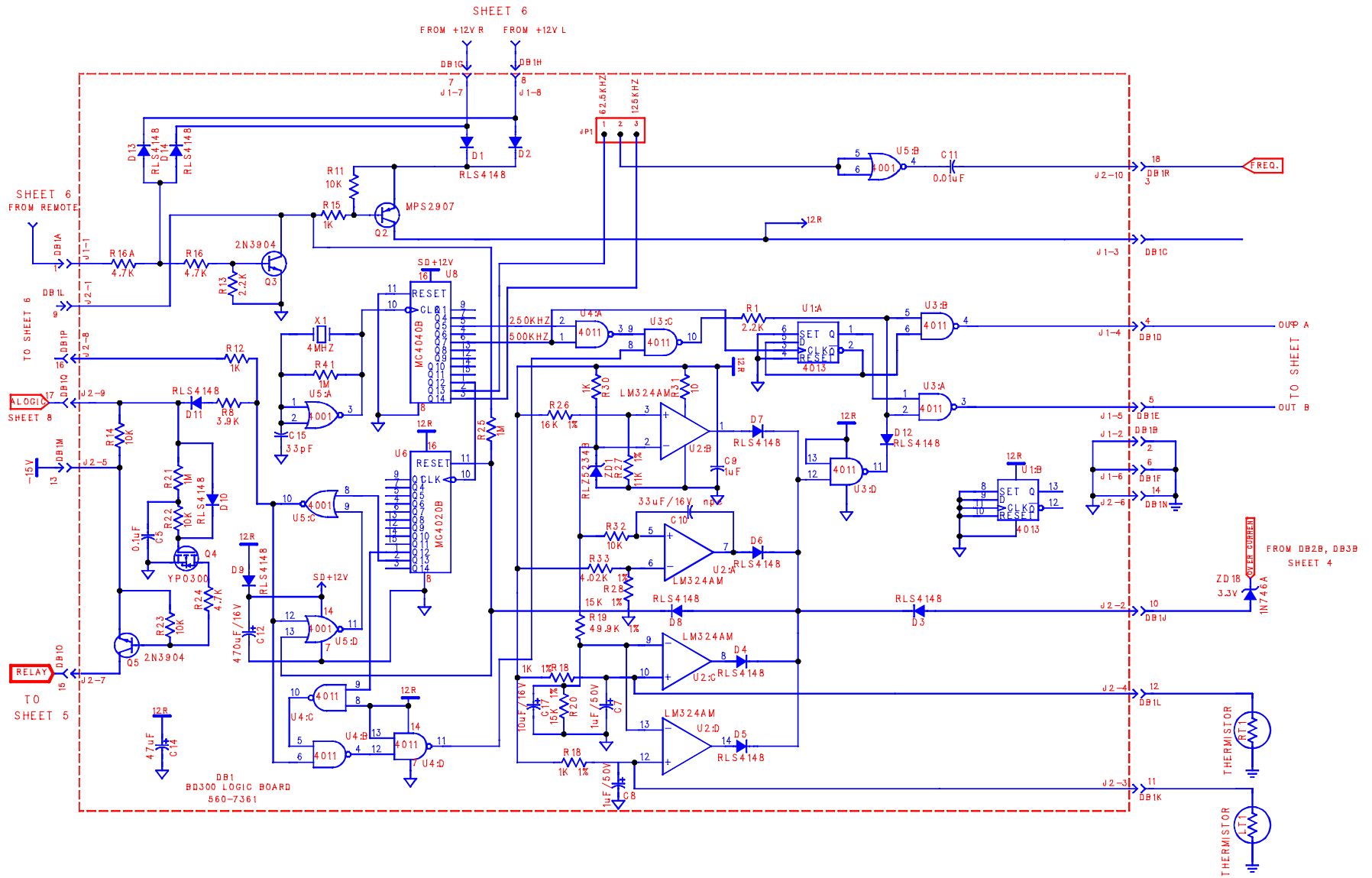
Title MANNY RODRIGUEZ MODULATOR		
Size C	Number ZD0212	Rev 07
Date 01/20/98	Drawn by R.MACIAS	
Filename ZD0212-7.S04	Sheet 4 of 9	



This document is property of harman consumer manufacturing, EL PASO. not to be reproduced or used for manufacturing purposes except on harman order on prior consent

Title			BD-300 POWER AMP	
Size	Number			Rev
C	ZD0212			07
Date	01/20/98	Drawn by R. MACIAS		
Filename	ZD0212-7.S05	Sheet 5 of 9		





This document is property of harman consumer manufacturing, EL PASO, TEXAS. It is not to be reproduced or used for manufacturing purposes except on harman order on prior consent			Title	BD-300 P. S. LOGIC PCB ASSY	
Size	Number	Rev			
C	ZD0212	07			
Date	01/20/98	Drawn by	R. MACIAS		
Filename	ZD0212-7.S07	Sheet	7 of 9		

DATE	REVISION	CHANGE DESCRIPTION	REASON OF CHANGE	CHANGED:	ECN#
07/03/97	02	MODULATOR BOARD: A) CHANGED R1 FROM 4.3K TO 2.2K ON MR300L & MR300R		R. MACIAS	
03/11/97	03	A) CHANGE R30,R31 FROM 10K TO 0 ON CONTROL BOARD. B) CHANGE R6,R21 FROM 649 1% TO 510 1% ON CONTROL BOARD. C) CHANGE R24,R25 FROM 100 TO 10 ON CONTROL BOARD. D) CHANGE R16 FROM 3.6K TO 18K ON MR300R & MR300L. E) CHANGE R18 FROM 470 TO 220 ON MR300R & MR300L. F) CHANGE R1 FROM 2.2K TO 5.1K ON MR300R & MR300L. G) CHANGE R39,R40 FROM 100 TO 10 ON MAIN BOARD. H) CHANGE R10,R18 FROM 10K 1% TO 7.5K 1% ON MAIN BOARD. I) CHANGE Q3,Q4,Q5,Q6,Q7,Q8,Q9,Q10 FROM IRFZ40 TO P50N06 ON POWER SUPPLY. J) CHANGE L5,L6 FROM 44uH TO 30uH AWG16. K) ADD C11,C15 TO 0.47uF ON CONTROL BOARD. L) ADD C12,C16 TO 0.22uF ON CONTROL BOARD. M) ADD R26,R28 TO 620 ON CONTROL BOARD. N) ADD R27,R29 TO 62K ON CONTROL BOARD. O) ADD R33,R34 TO 2.7K ON CONTROL BOARD. P) ADD R30,R31 TO 00 ON CONTROL BOARD. Q) ADD R24,R25 TO 10 ON CONTROL BOARD. R) ADD R3 TO 470 ON CONTROL BOARD. S) ADD R32 TO 1K ON CONTROL BOARD. T) ADD C8,C9 TO 0.1uF ON CONTROL BOARD. U) ADD U2 TO TL082 ON CONTROL BOARD. W) ADD VR2A,VR2B TO 500 ON CONTROL BOARD. X) ADD VRIA,VRIC TO 20K ON CONTROL BOARD. Y) ADD VR1B, VR1D TO 200K ON CONTROL BOARD. Z) CHANGE R6,R21 FROM 649 1% TO 510 1% ON CONTROL BOARD.	SIGNAL TO NOISE & SENSITIVITY	R. MACIAS	
06/20/97	04	A) CHANGE R70,R71 FROM 10 TO 22 ON MAIN BOARD. B) CHANGE R67,68,69,72,73,78,79,82 FROM 22 TO 33 ON P. S. C) CHANGE R10,R18 FROM 9.1K 1% TO 10K 1% ON MAIN BOARD. D) CHANGE R15 FROM 10K TO 1K ON LOGIC BOARD. E) CHANGE R27 FROM 10K 1% TO 11K 1% ON LOGIC BOARD. F) CHANGE R28 FROM 10K 1% TO 12.1K 1% ON LOGIC BOARD. G) CHANGE R30,R31 FROM 00 TO 1K ON CONTROL BOARD. H) CHANGE R16 FROM 1.8K TO 1.3K ON MR300R & MR300L. I) CHANGE R14 FROM 100K TO 10K ON LOGIC BOARD. J) CHANGE R8 FROM 30K TO 3.9K ON LOGIC BOARD. K) CHANGE R28 FROM 12.1K 1% TO 15K 1% ON LOGIC BOARD. L) CHANGE R30 FROM 10K TO 1K ON LOGIC BOARD.	CLIPPING & PROTECTION	R. MACIAS  R. MACIAS	10048
08/22/97	05	A) CHANGE POSITION R9,R17 ON SHEET 2.	UPDATE SCHEMATIC'S	R. MACIAS	10165

This Document is property of  
harman consumer manufacturing, EL PASO  
not to be reproduced or used for  
manufacturing purposes except on  
harman order on prior written consent.

Title		BD-300 DOCUMENT CONTROL	
Size	Number	Rev	
C	ZD0212	07	
Date	01/20/98	Drawn by R. MACIAS	
Filename	ZD0212-7.S08	Sheet 8 of 9	



