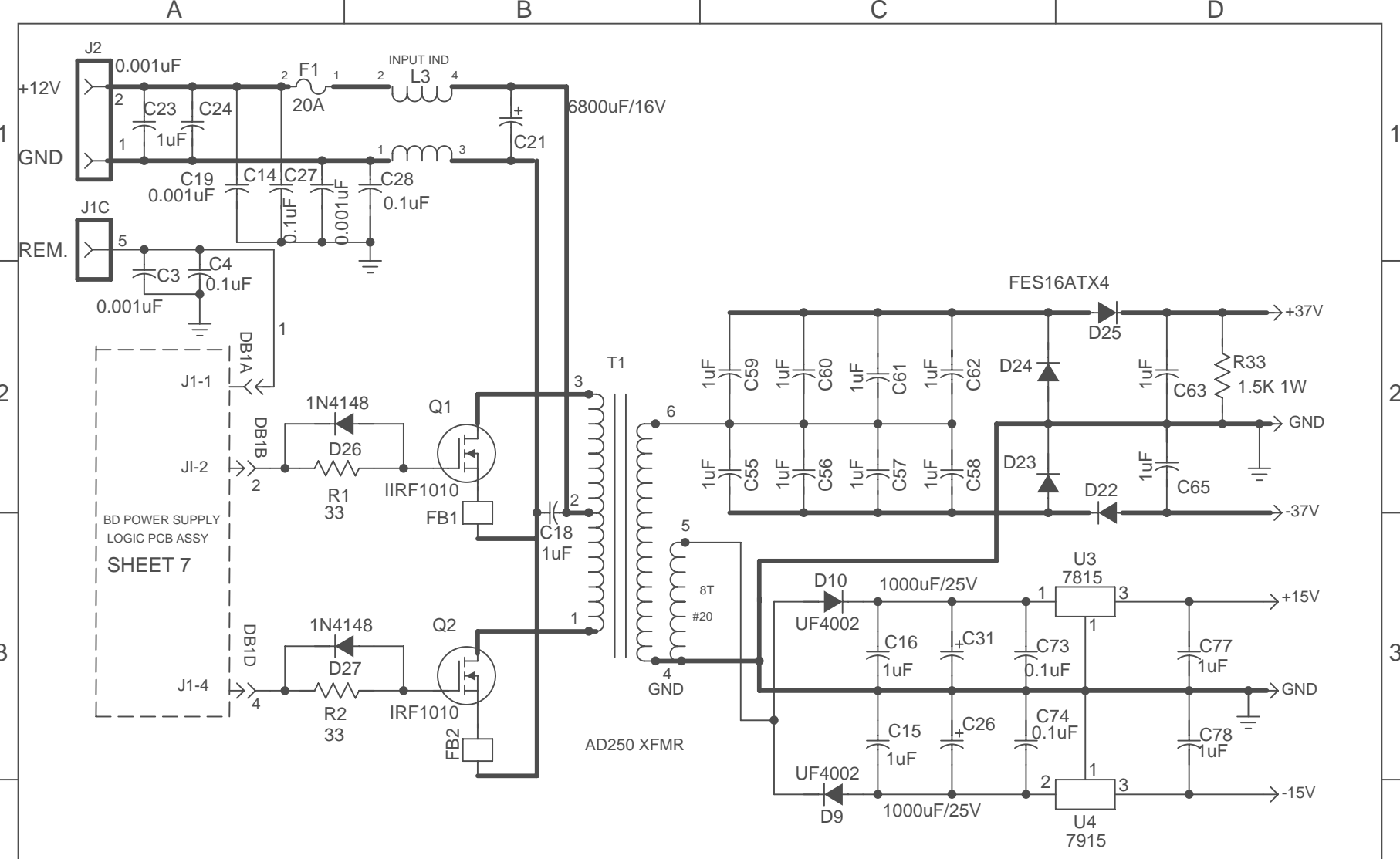


BD-50 BLOCK DIAGRAM

This document is property of harman consumer manufacturing, EL PASO. not to be reproduced or used for manufacturing purposes except on harman order on prior consent

harman consumer manufacturing, EL PASO.
 DESIGNED BY: INFINITY SYSTEMS, INC.
 CHECKED BY: V. CAMPOS
 RELEASED BY: M. RODRIGUEZ
 DOCUMENT CONTROL: FRED COOLEY

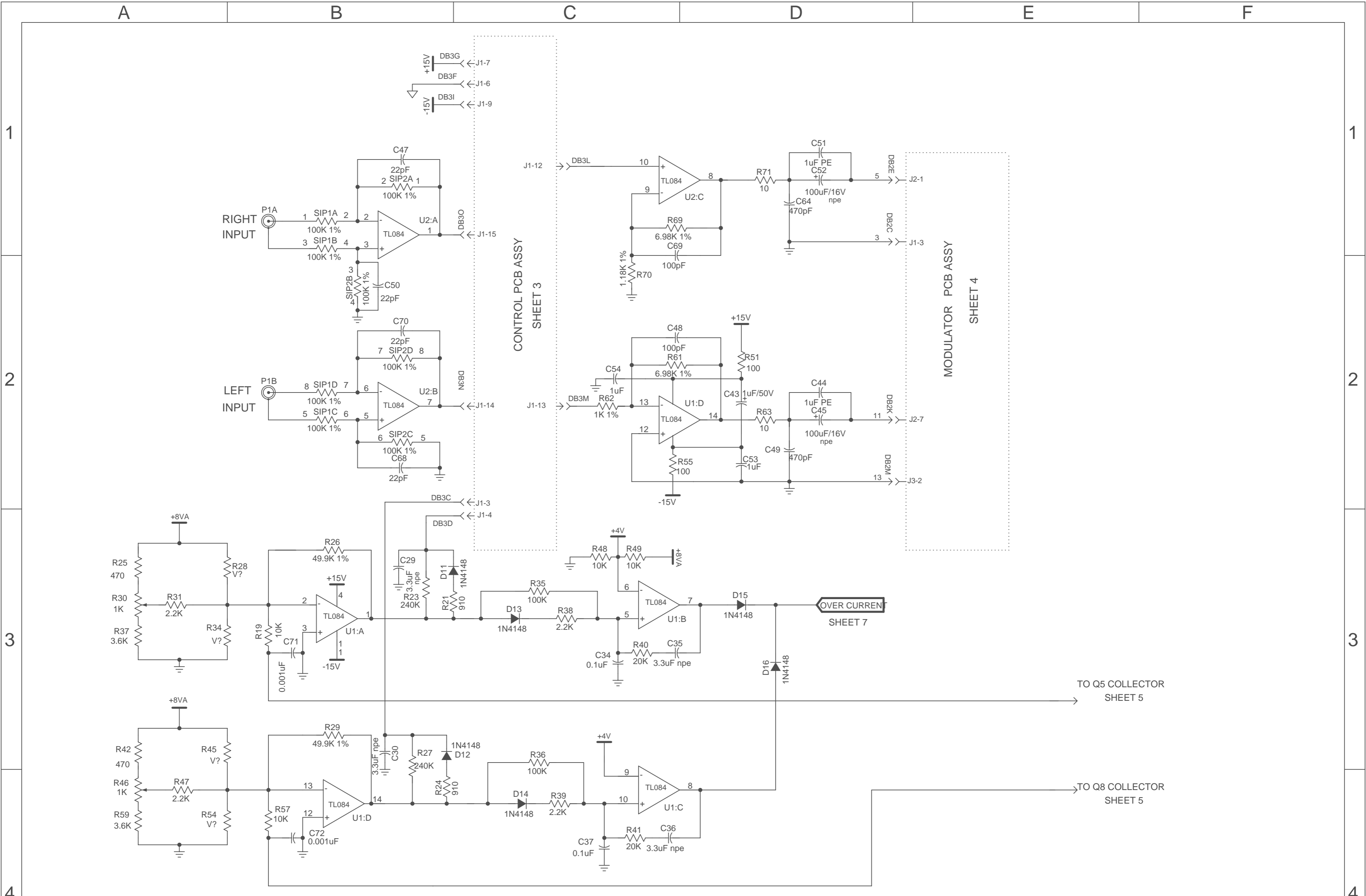
Title			BD-50 BLOCK DIAGRAM		
Size	Number	Rev			
B	ZD0210	04			
Date	06/17/97	Drawn by	R. MACIAS		
Filename	ZD0210-4.S01	Sheet	1 of 8		



This document is property of harman consumer manufacturing, EL PASO. not to be reproduced or used for manufacturing purposes except on harman order on prior consent

harman consumer manufacturing, EL PASO.
 DESIGNED BY: INFINITY SYSTEMS, INC.
 CHECKED BY: V. CAMPOS
 RELEASED BY: M. RODRIGUEZ
 DOCUMENT CONTROL: FRED COOLEY

Title			BD-50 POWER SUPPLY	
Size	Number	Rev		
A	ZD0210	04		
Date	06/17/97	Drawn by	R. MACIAS	
Filename	ZD0210-4.S06	Sheet	6 of 8	



This document is property of harman consumer manufacturing, EL PASO. not to be reproduced or used for manufacturing purposes except on harman order on prior consent

harman consumer manufacturing, EL PASO.
 DESIGNED BY: INFINITY SYSTEMS, INC.
 CHECKED BY: V. CAMPOS
 RELEASED BY: M. RODRIGUEZ
 DOCUMENT CONTROL: FRED COOLEY

Title		BD-50 MAIN BOARD	
Size	Number	ZD0210	
C			
Rev	04		
Date	06/17/97	Drawn by	R. MACIAS
Filename	ZD0210-4.S02	Sheet	2 of 8

1

1

2

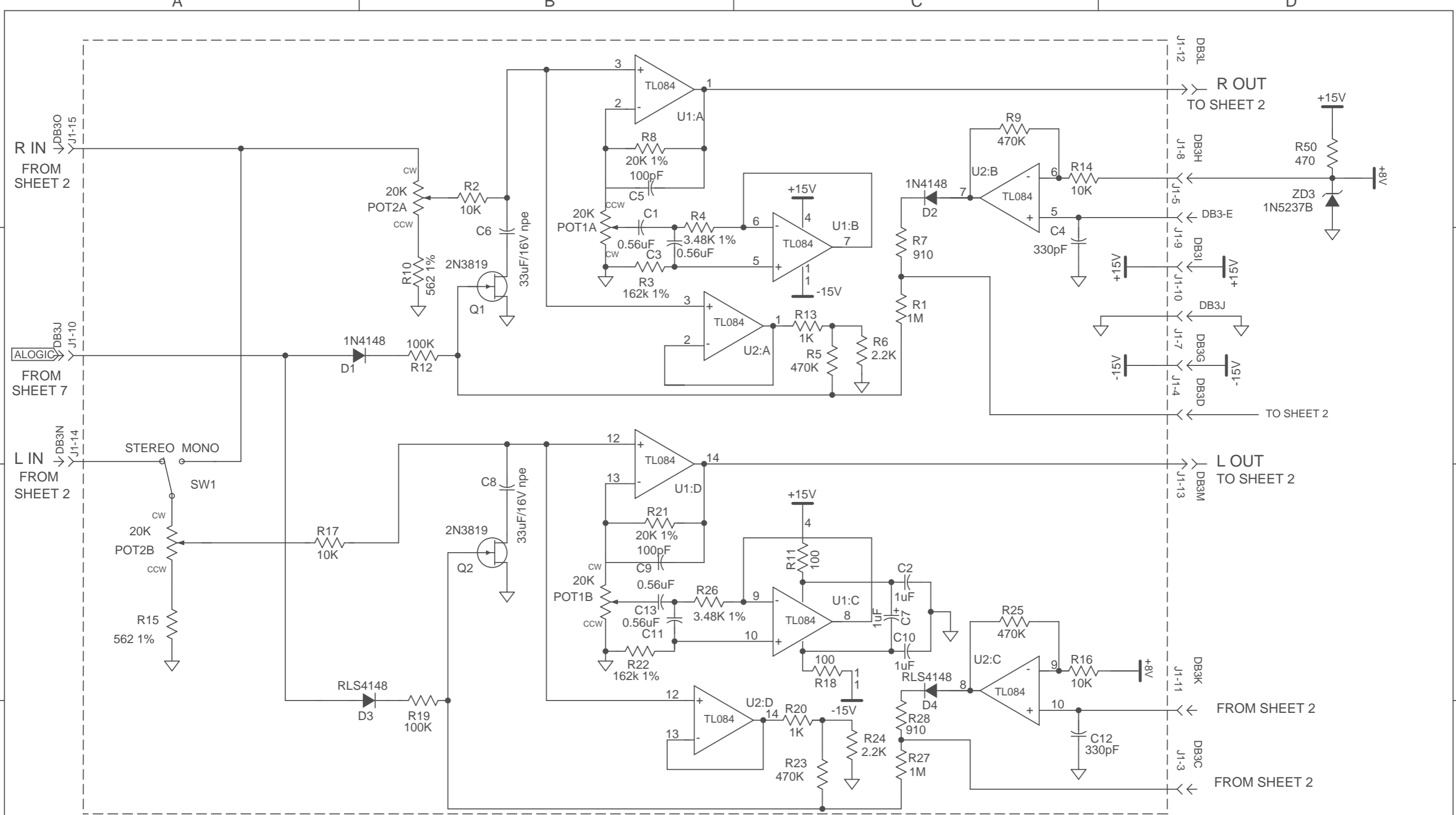
2

3

3

4

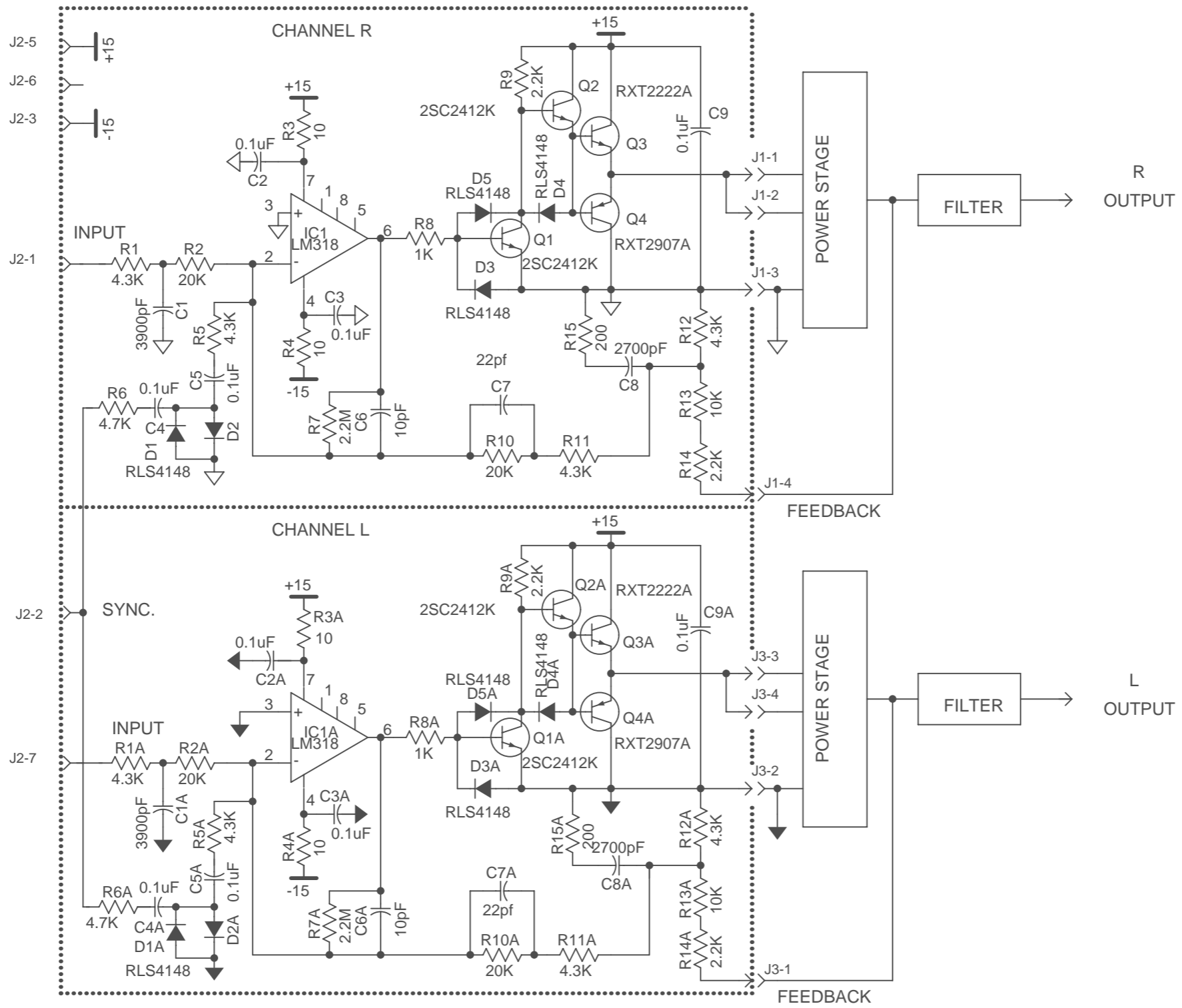
4



This document is property of harman consumer manufacturing, EL PASO. not to be reproduced or used for manufacturing purposes except on harman order on prior consent

harman consumer manufacturing, EL PASO.
 DESIGNED BY: INFINITY SYSTEMS, INC.
 CHECKED BY: V. CAMPOS
 RELEASED BY: M. RODRIGUEZ
 DOCUMENT CONTROL: FRED COOLEY

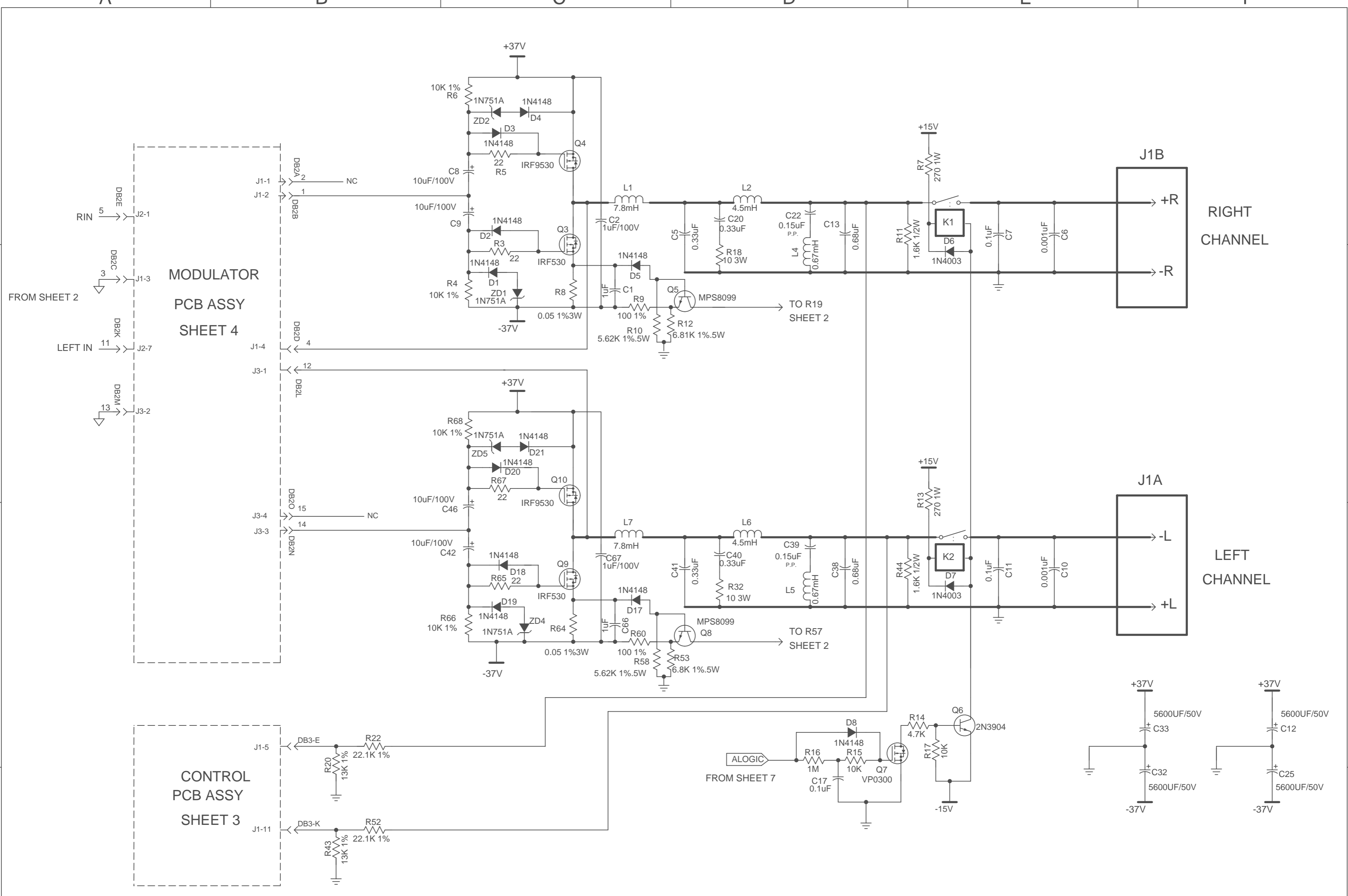
Title			BD-50 CONTROL PCB ASSY		
Size	Number	Rev			
B	ZD0210	04			
Date	06/17/97	Drawn by	R. MACIAS		
Filename	ZD0210-4.S03	Sheet	3 of 8		



this document is property of harman consumer manufacturing, ELP. not to be reproduced or used for manufacturing purposes except on harman order on prior consent

harman consumer manufacturing ELP.
 DESIGNED BY: M. RODRIGUEZ
 CHECKED BY: V. C. FLORES
 RELEASED BY: M. RODRIGUEZ
 DOCUMENT CONTROL: FRED COOLEY

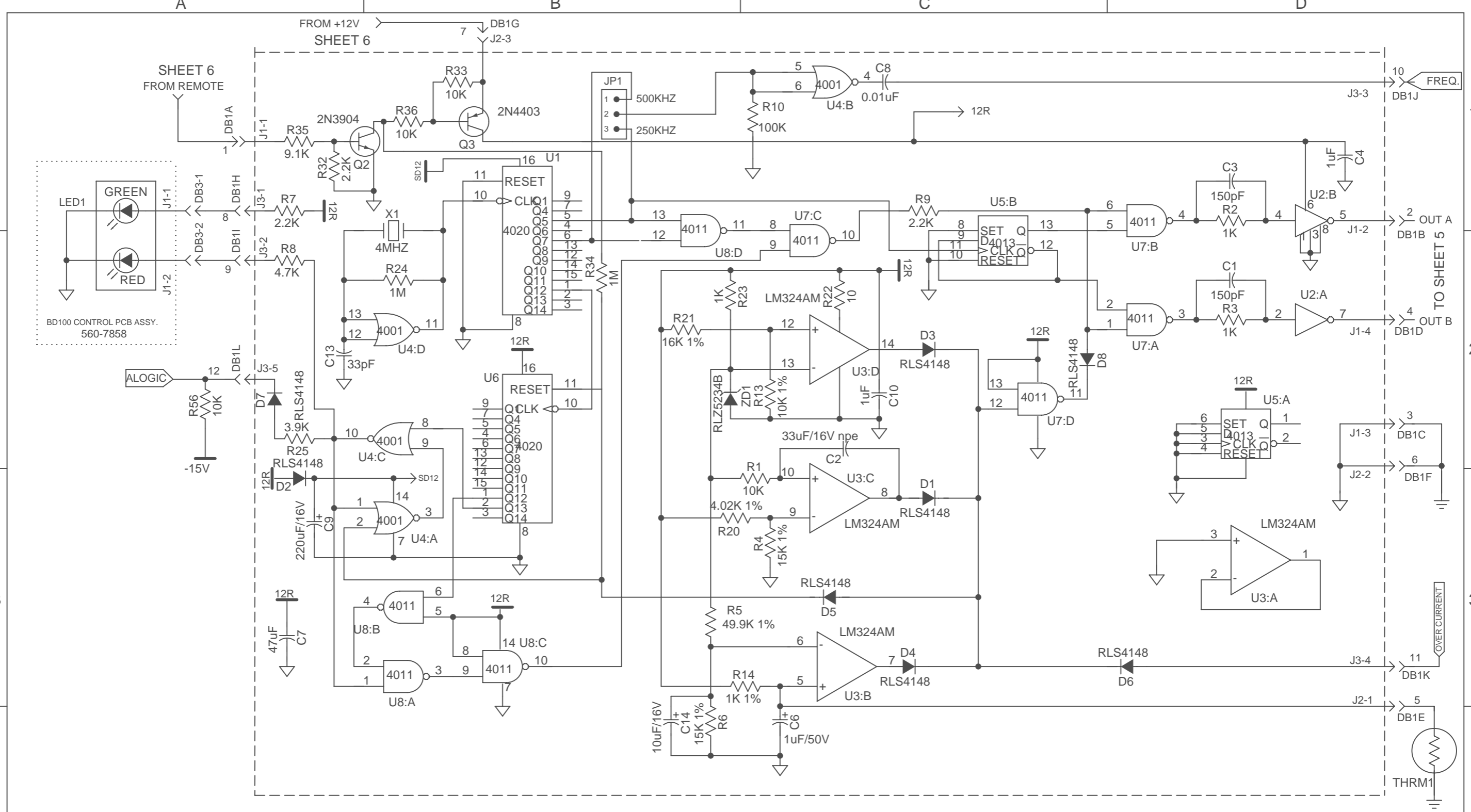
Title MANNY'S RODRIGUEZ MODULATOR		
Size B	Number ZD0210	Rev 04
Date 06/17/97	Drawn by R. MACIAS	
Filename ZD0210-4.S04	Sheet 4 of 8	



This document is property of harman consumer manufacturing, EL PASO. not to be reproduced or used for manufacturing purposes except on harman order on prior consent

harman consumer manufacturing, EL PASO.
 DESIGNED BY: INFINITY SYSTEMS, INC.
 CHECKED BY: V. CAMPOS
 RELEASED BY: M. RODRIGUEZ
 DOCUMENT CONTROL: FRED COOLEY

Title		BD-50 POWER AMP	
Size	Number	Rev	
C	ZD0210	04	
Date	06/17/97	Drawn by	R. MACIAS
Filename	ZD0210-4.S05	Sheet	5 of 8



This document is property of harman consumer manufacturing, EL PASO. not to be reproduced or used for manufacturing purposes except on harman order on prior consent

harman consumer manufacturing, EL PASO.		Title	
DESIGNED BY: INFINITY SYSTEMS, INC.		BD-50 P. S. LOGIC PCB ASSY	
CHECKED BY: V. CAMPOS		Size	Number
RELEASED BY: M. RODRIGUEZ		B	ZD0210
DOCUMENT CONTROL: FRED COOLEY		Date	Rev
		06/17/97	04
		Drawn by	R. MACIAS
		Filename	ZD0210-4.S07
		Sheet	7 of 8

