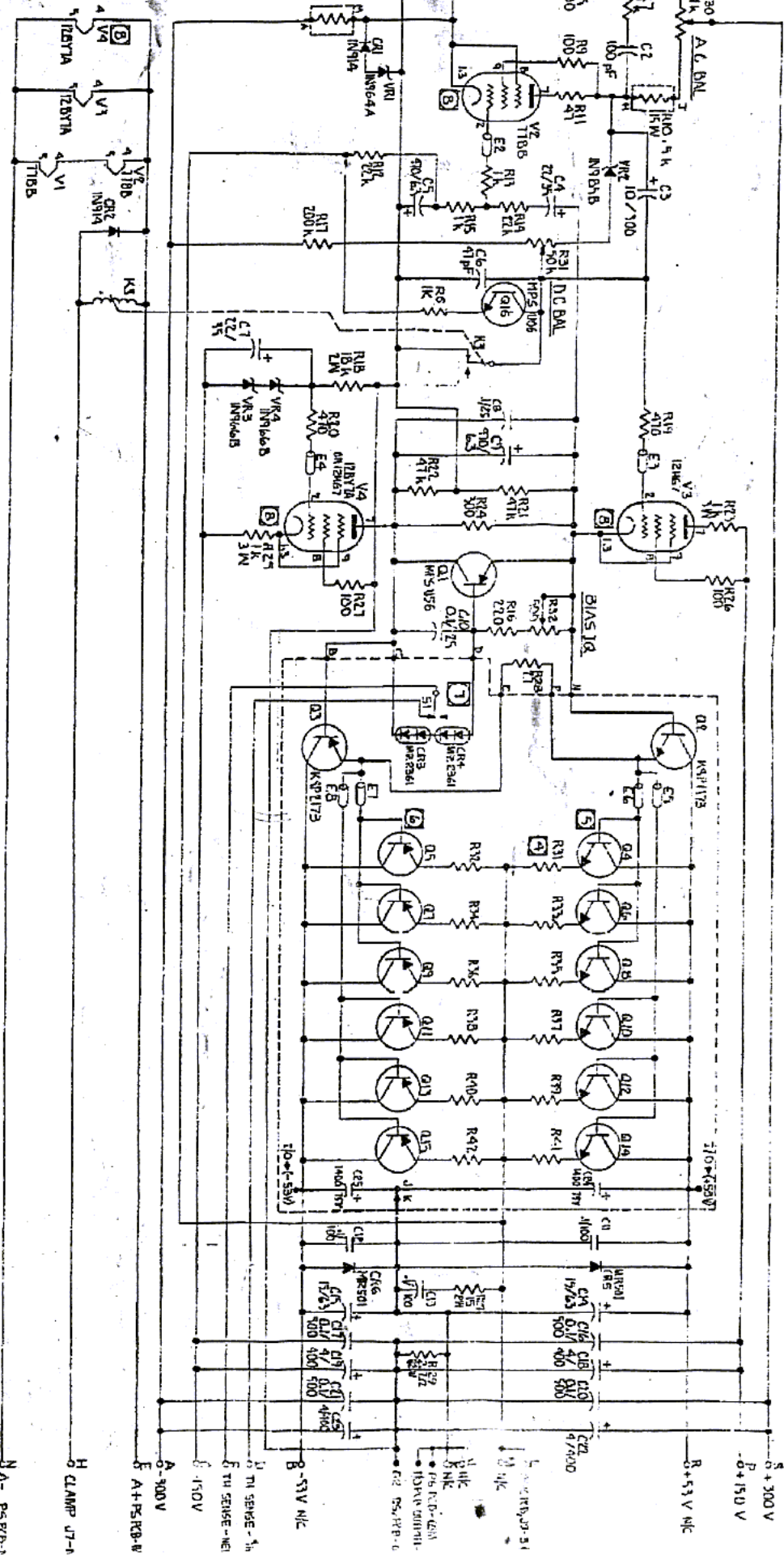


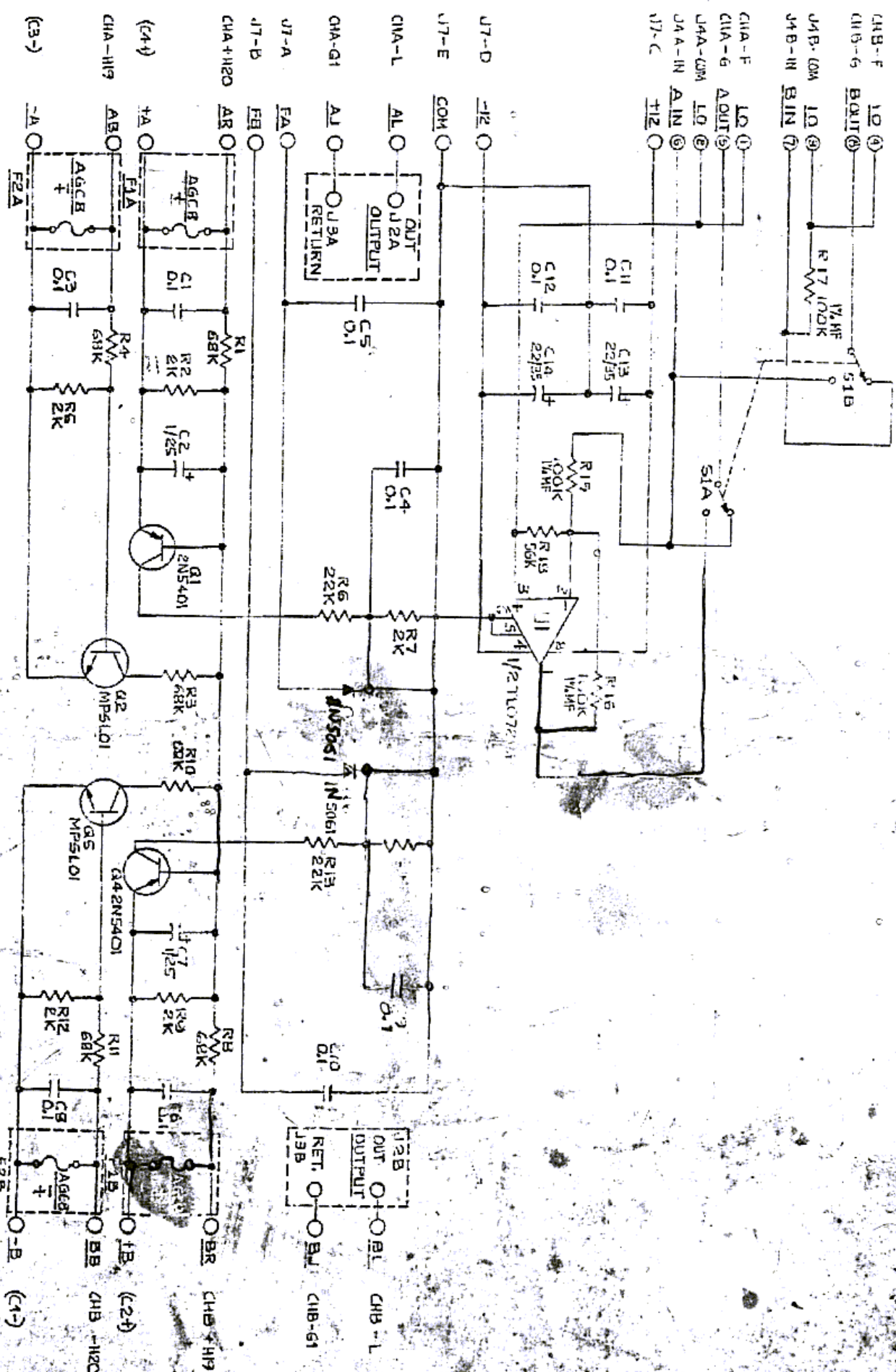
COMPONENTS SHOWN WITH DOTTED
 ON THERMISTORS REMOVE THE P.C. BOARD.
 R ELEMENTS SHOWN REMOVED AND
 ED FOR CLAMP.

2 & 4 ARE ALL MOUNTED ON HEAT-SINK, ASSY # 71010
 8, 10, 12, 14 ARE 151 P/N# 3215B6
 9, 11, 13, 15 ARE 151 P/N# 320909
 ARE PERMITE BEADS 151 P/N
 OR VALUES IN MICROGRADY / VOLTAGES.
 OR VALUES IN OHMS, 1/2 W, 5%
 UNLESS OTHERWISE SPECIFIED



LEGGENO

REV. 1	DATE	BY	CHKD.	APPROVED	DATE
1	11/17/71	S. J. B.			
<p>CONTRACT NO. DD60-0005-2</p> <p>SCHEMATIC</p> <p>AMPLIFIER BD. & HEAT-SINK ASSY - HCA</p> <p>P/N # 71012 & 71016</p>					
<p>7172006 7172007</p> <p>REVISIONS</p>					



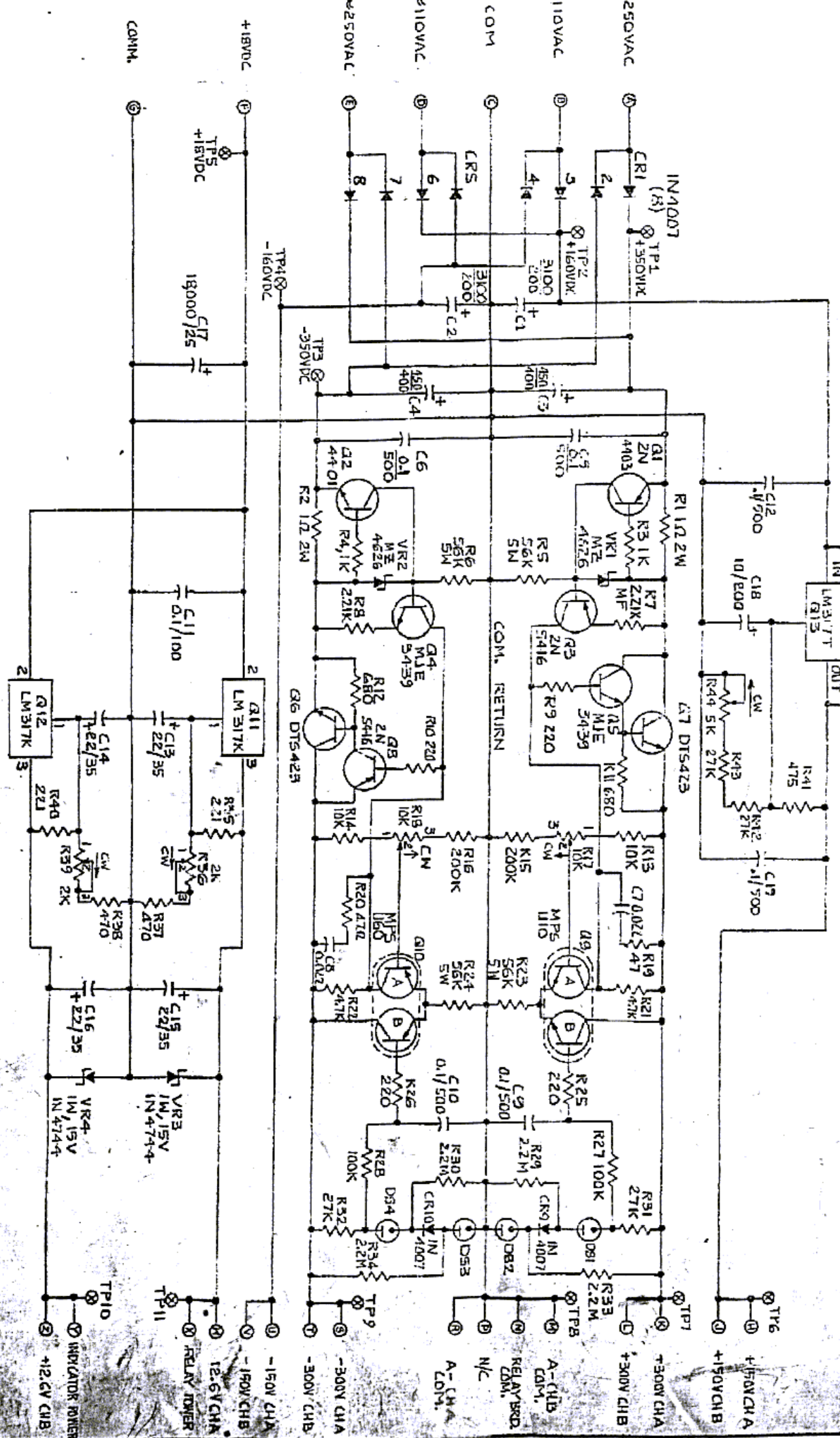
- NOTES:
1. ALL RESISTORS ARE 1/4W, 5%.
 2. 0.1μF CAPACITORS ARE MONOLITHIC CERAMIC.
 3. 1μF/25V CAPACITORS ARE DIF-FED TANTALUM.
 4. UNDERLINED DESIGNATIONS ARE HEAT AS PRINTED.
 5. BROKEN LINES INDICATE CHASSIS MOUNTED COMPONENTS.

P/N 457008

DATE	REV	BY	CHKD	APP'D

SCHEMATIC DIAGRAM

REV	DATE	DESCRIPTION	BY	CHKD
A	FIRST ARTICLE			



NOTES: UNLESS OTHERWISE SPECIFIED.
 1. RESISTORS ARE IN OHMS, $\sqrt{2W}$, 5%.
 2. CAPACITORS ARE IN MICROFARADS.

DATE	BY	CHKD	DESCRIPTION	REVISION