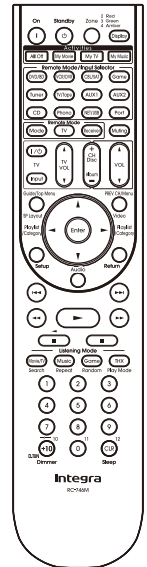
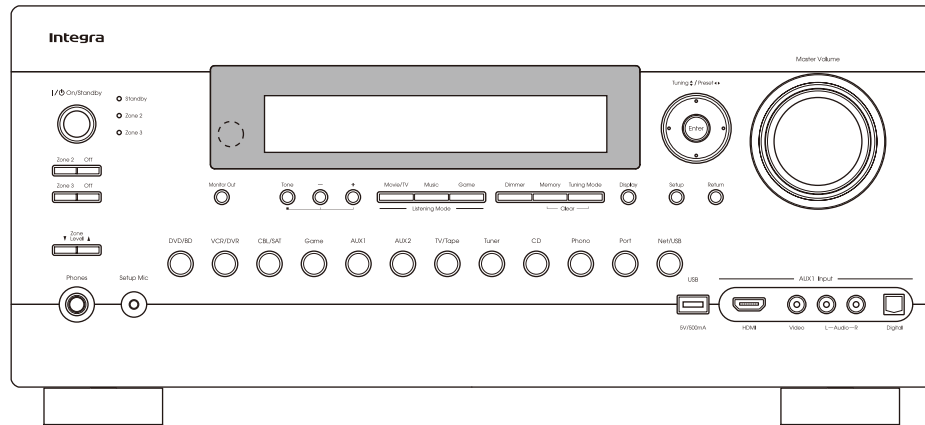


# Integra SERVICE MANUAL

Sep, 2009
-----------

## AV CONTROLLER MODEL DHC-80.1(B)




RC-746M

### Black model

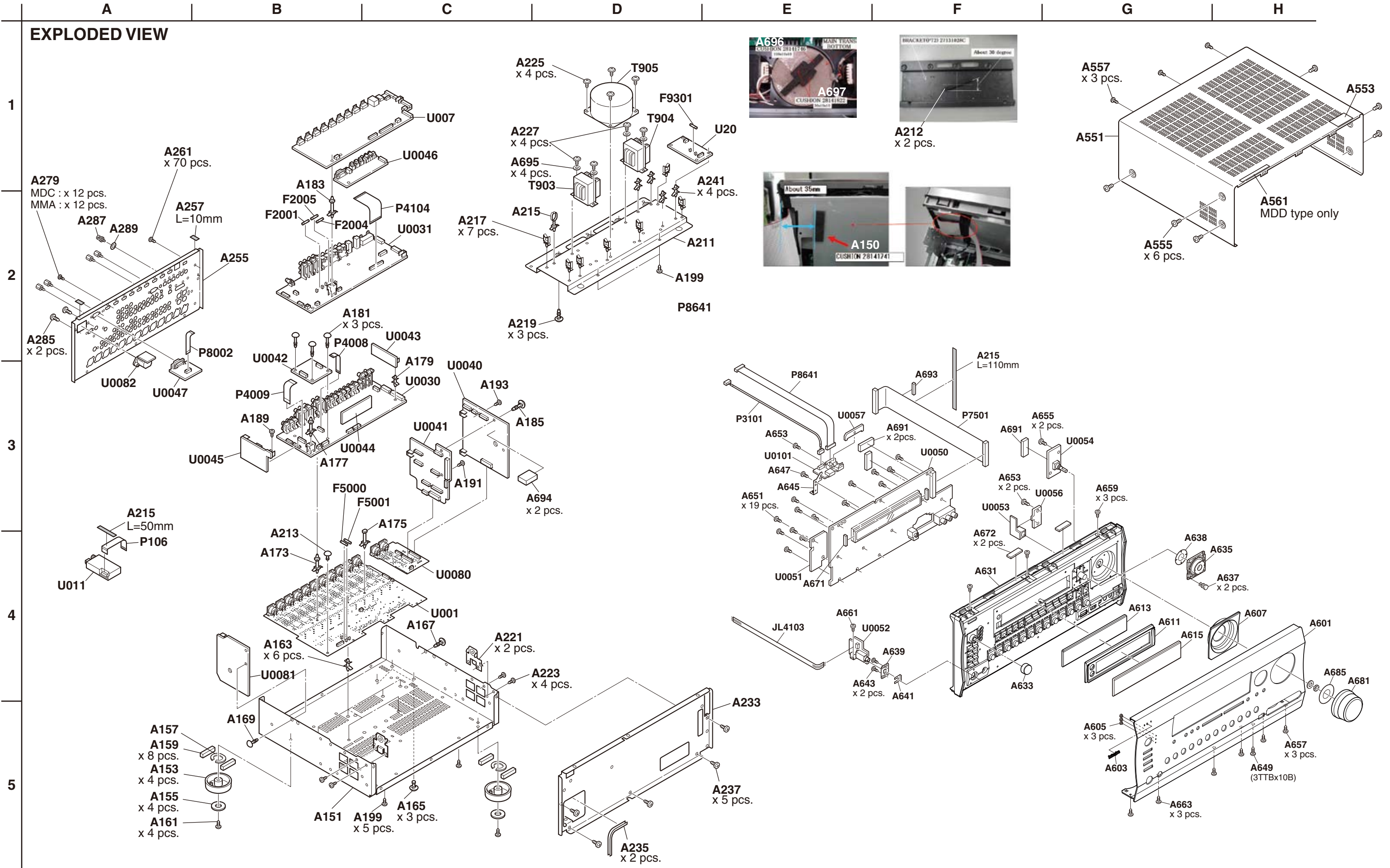
B MDD	120V AC, 60Hz
B MMA	220-240V AC, 50/60Hz

### SAFETY-RELATED COMPONENT WARNING!!

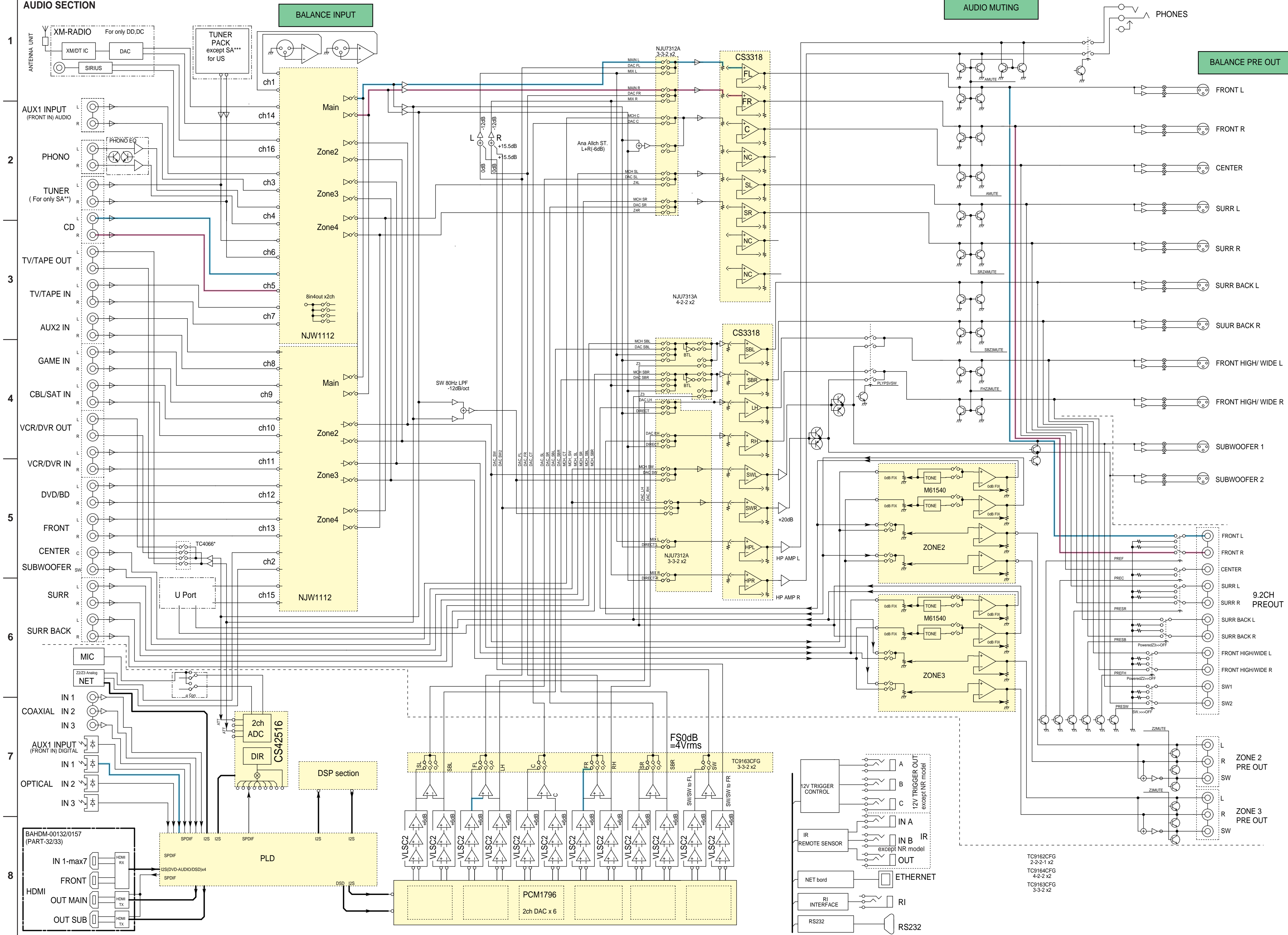
COMPONENTS IDENTIFIED BY MARK  ON THE SCHEMATIC DIAGRAM AND IN THE PARTS LIST ARE CRITICAL FOR RISK OF FIRE AND ELECTRIC SHOCK. REPLACE THESE COMPONENTS WITH ONKYO PARTS WHOSE PART NUMBERS APPEAR AS SHOWN IN THIS MANUAL.

MAKE LEAKAGE-CURRENT OR RESISTANCE MEASUREMENTS TO DETERMINE THAT EXPOSED PARTS ARE ACCEPTABLY INSULATED FROM THE SUPPLY CIRCUIT BEFORE RETURNING THE APPLIANCE TO THE CUSTOMER.

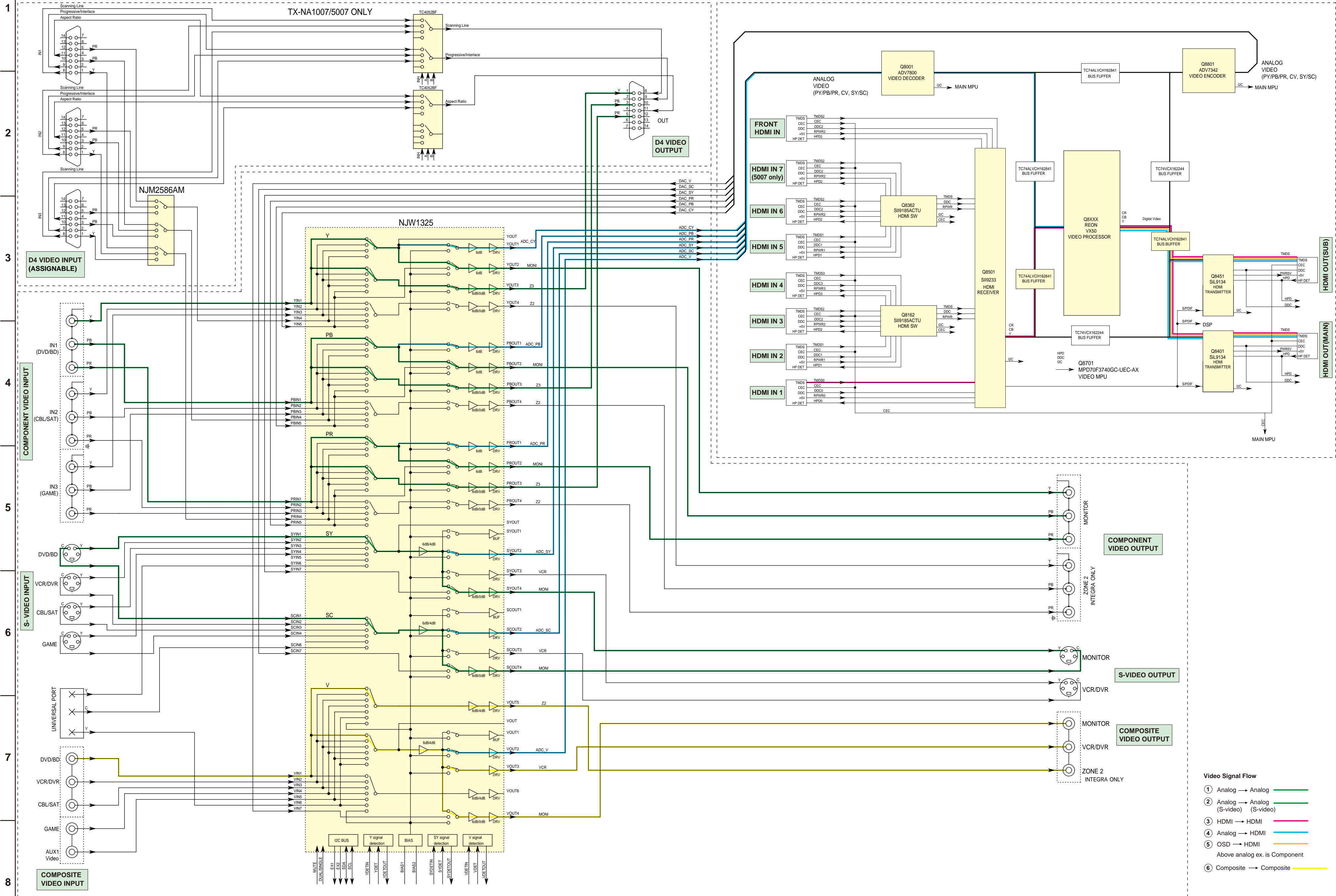
EXPLODED VIEW



BLOCK DIAGRAMS-1 / PART-1  
AUDIO SECTION



**BLOCK DIAGRAMS-3 / PART-3**  
**VIDEO SECTION**

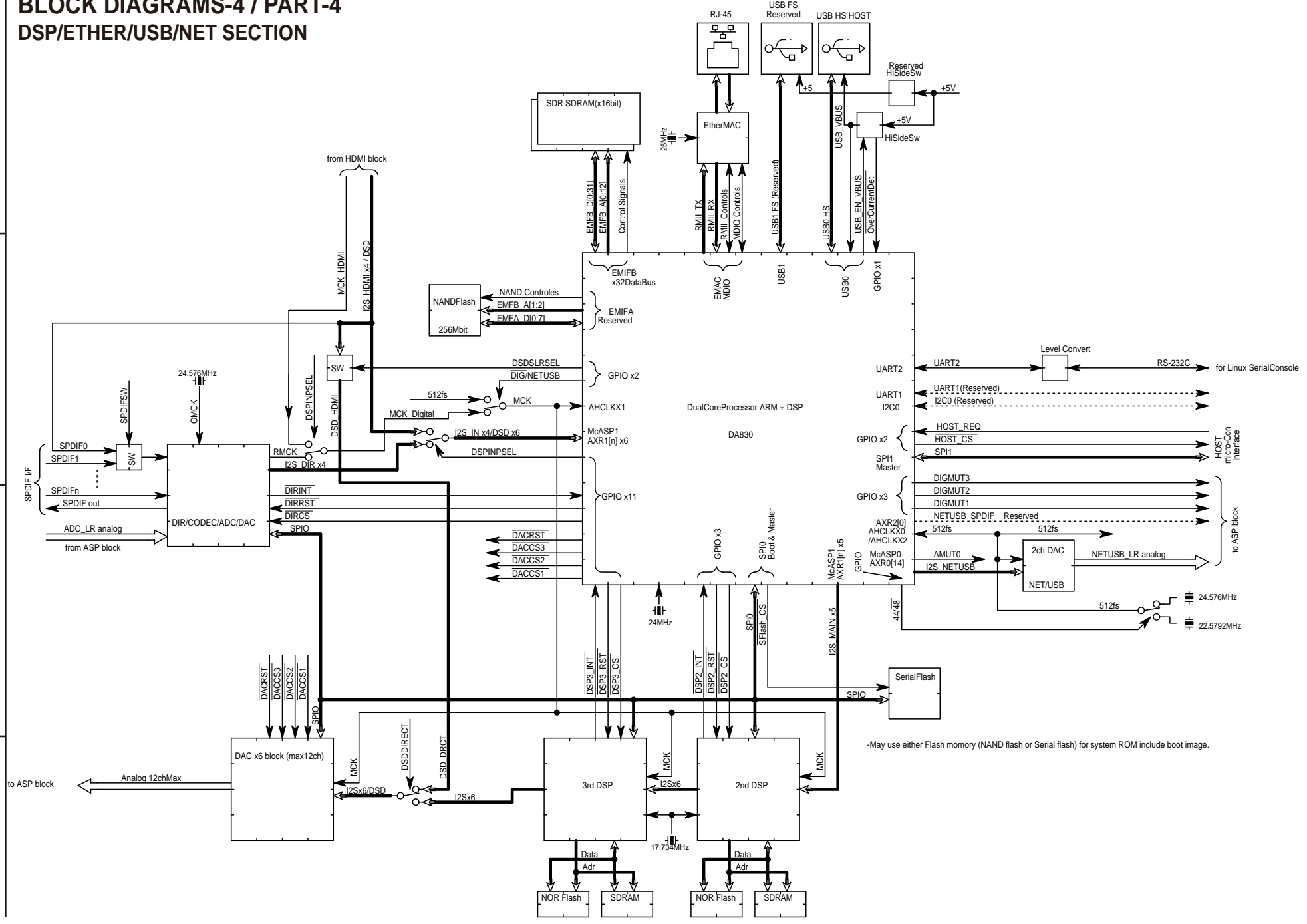


- Video Signal Flow**
- ① Analog → Analog (Green)
  - ② Analog → Analog (S-video) (Light Green)
  - ③ HDMI → HDMI (Magenta)
  - ④ Analog → HDMI (Blue)
  - ⑤ OSD → HDMI (Orange)
  - ⑥ Composite → Composite (Yellow)
- Above analog ex. is Component

**BLOCK DIAGRAMS-4 / PART-4**  
**DSP/ETHER/USB/NET SECTION**

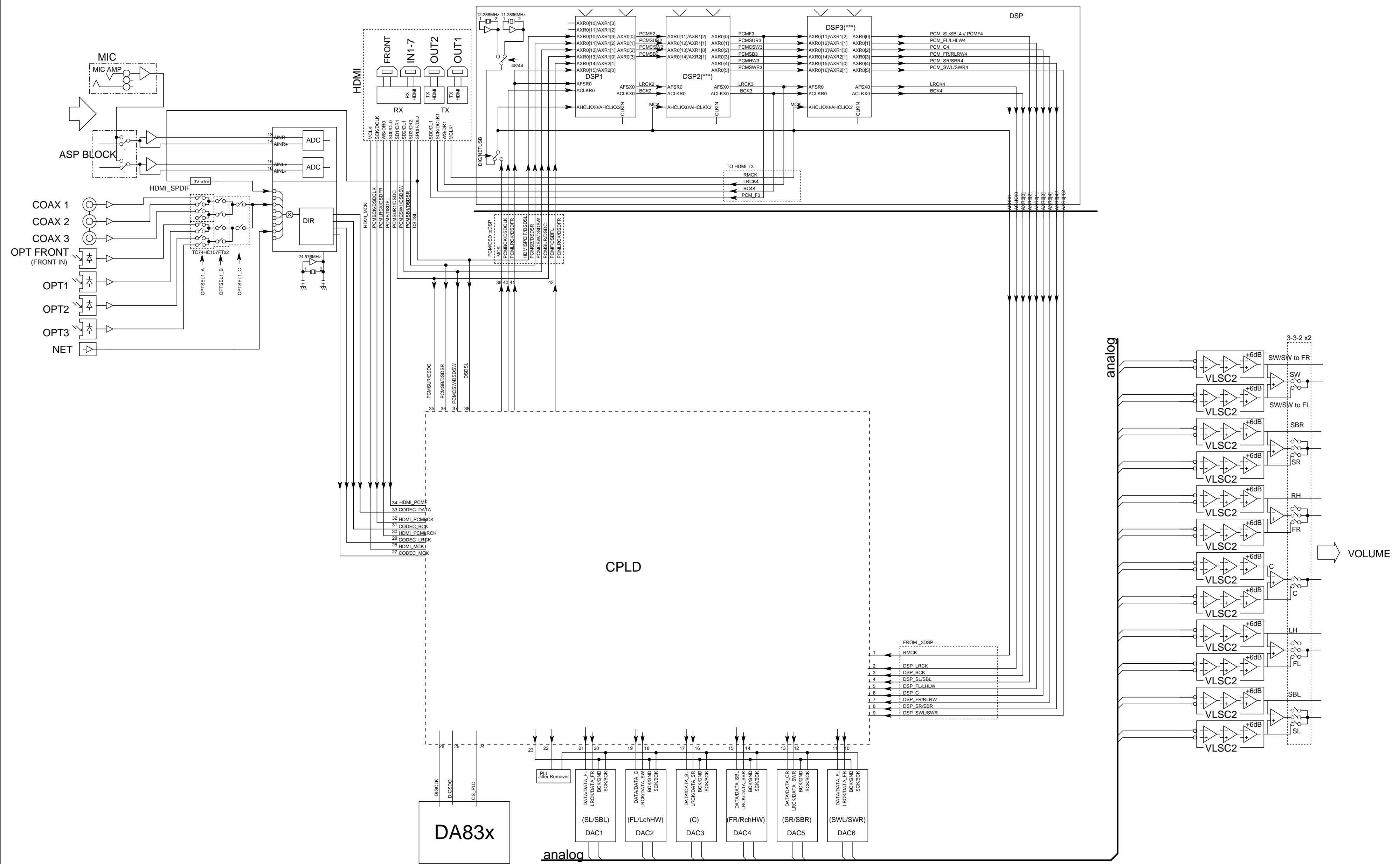
1  
2  
3  
4

A B C D E



BLOCK DIAGRAMS-5 / PART-5  
DIGITAL AUDIO CLOCK SECTION

1  
2  
3  
4  
5  
6  
7  
8

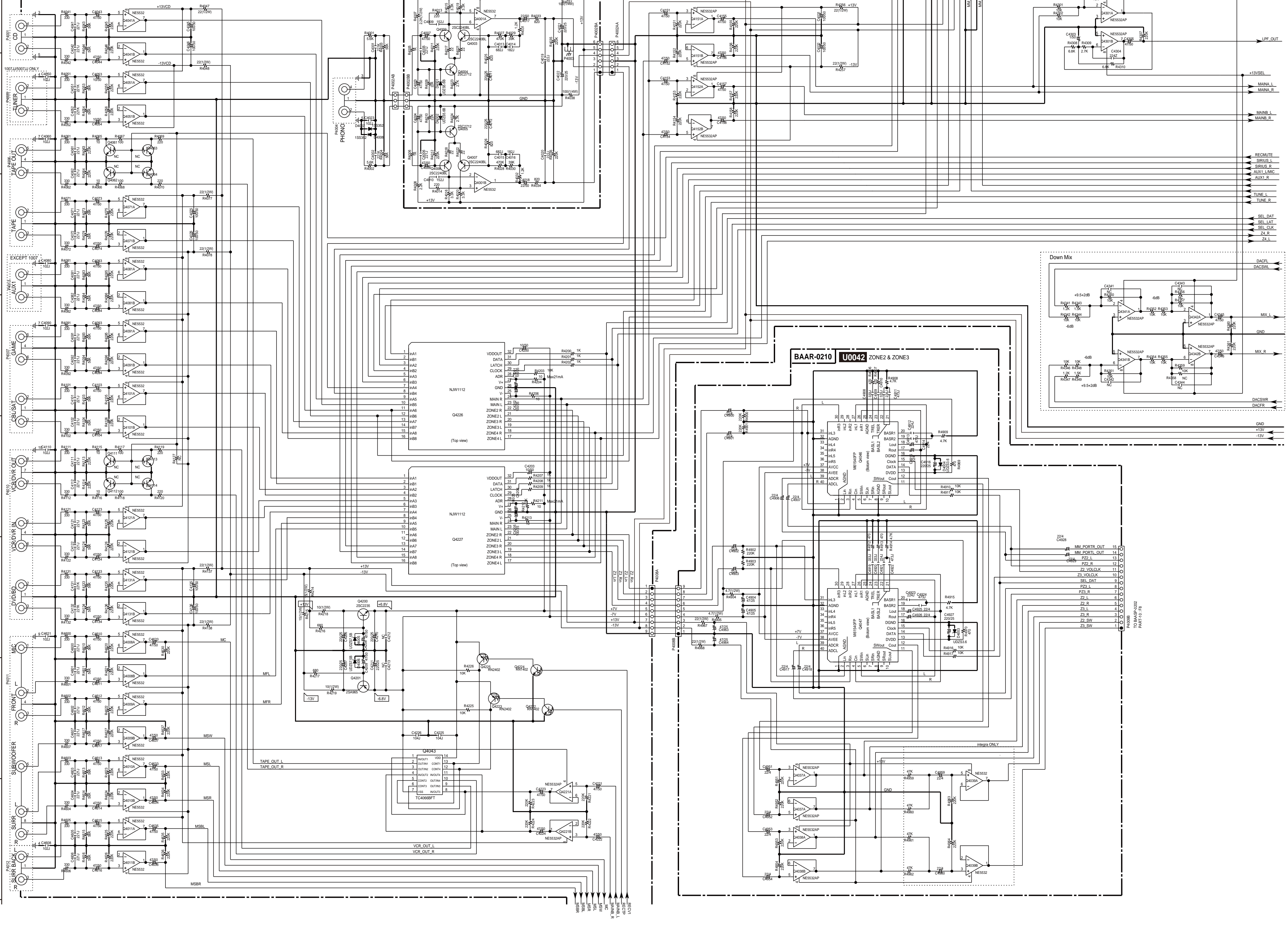


SCHEMATIC DIAGRAMS-4 / PART-9  
ANALOG AUDIO SECTION 1

**BAASP-0202(1/3)**  
**U0030** ANALOG AUDIO PC BOARD

**BAAF-0211** **U0043** PHONO AMP. PC BOARD

**BAAR-0210** **U0042** ZONE2 & ZONE3







A

B

C

D

SCHEMATIC DIAGRAMS-6 / PART-11

ANALOG AUDIO SECTION 3

BAACC-0212-1

U0044 BUFFER AMPLIFIER PC BOARD

1

2

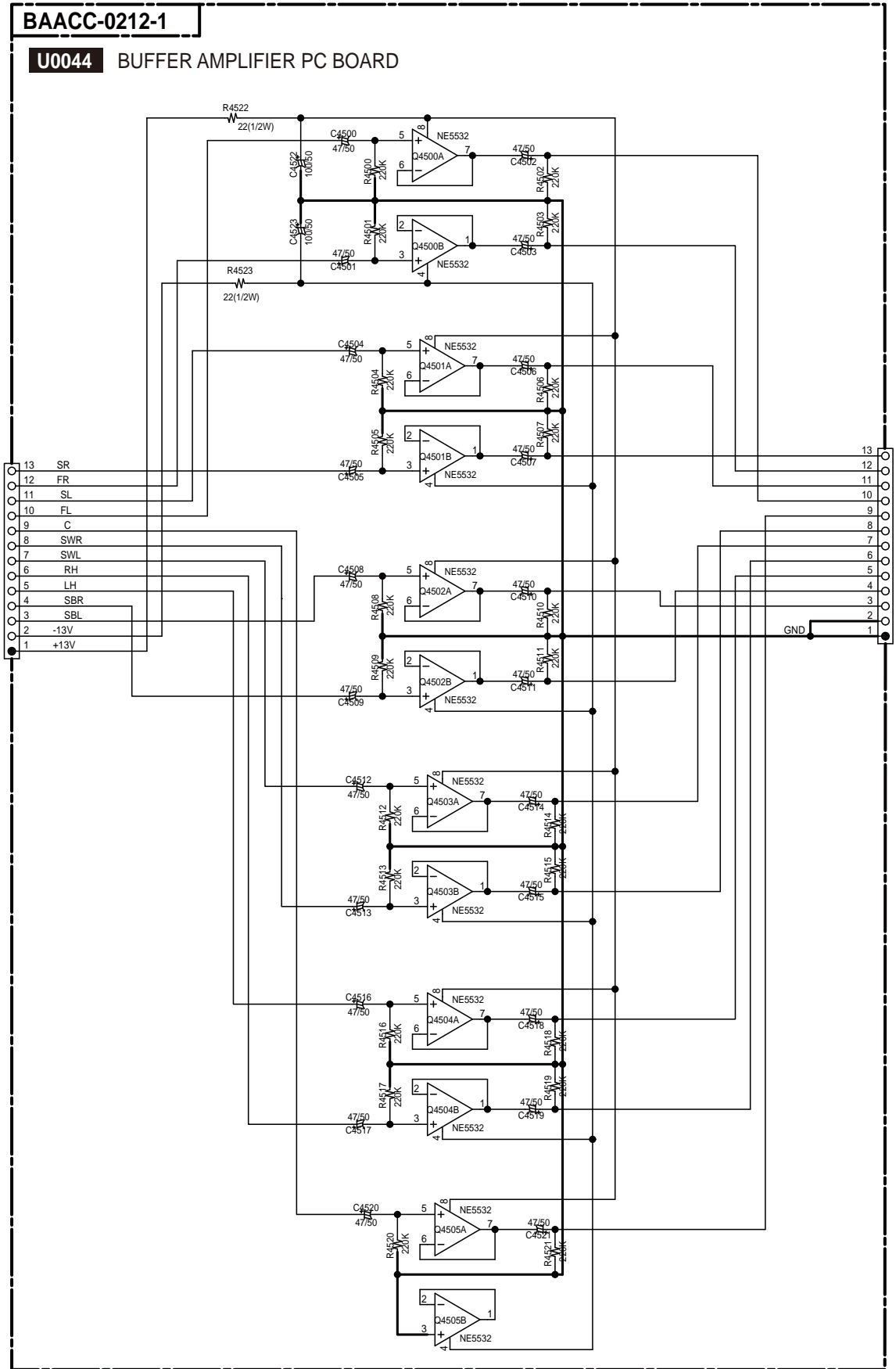
3

4

5

BAAASP-0202  
PART-10 : E4

P4020B



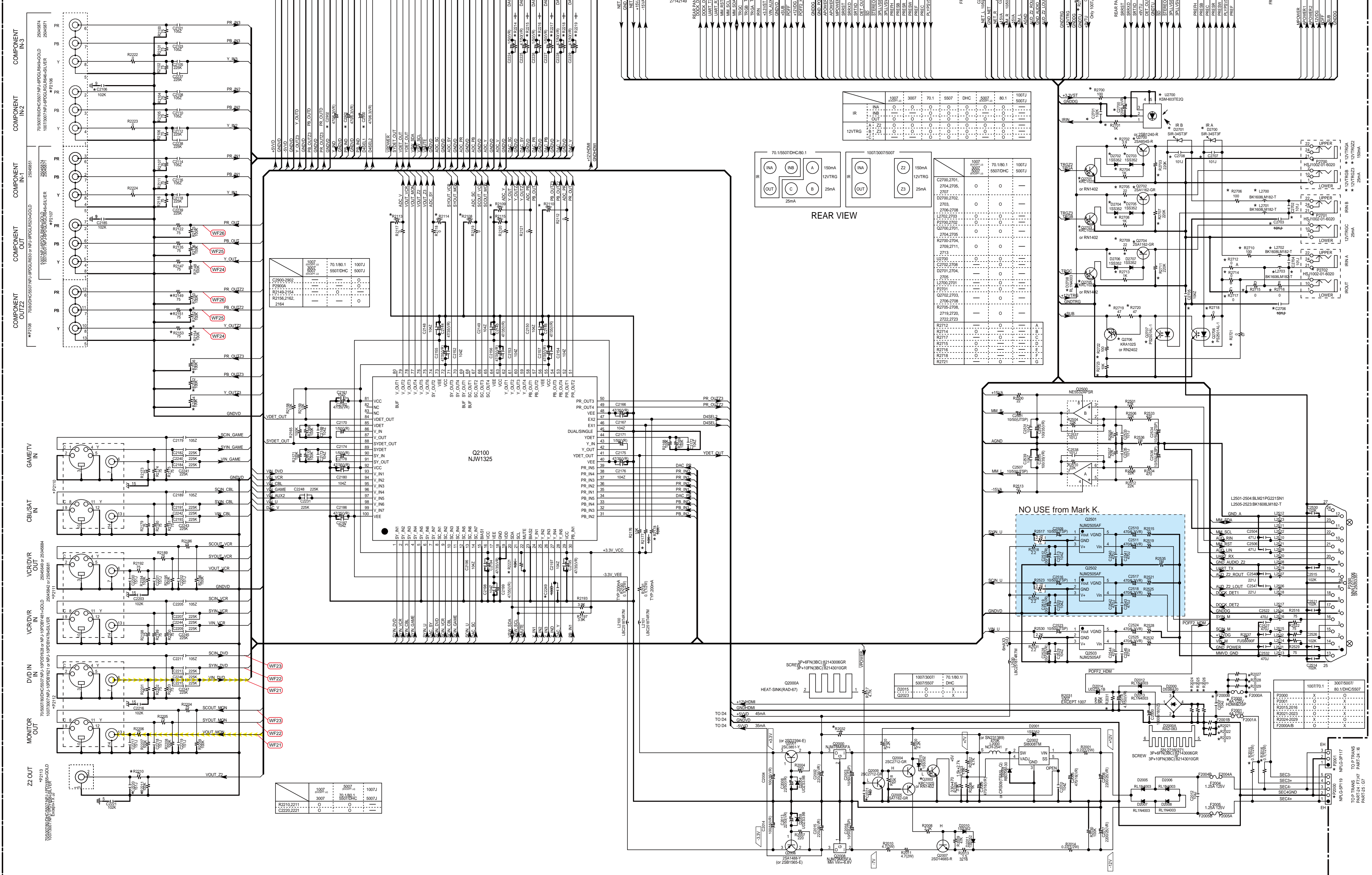
BAAASP-0202  
PART-10 : E4

P4021B

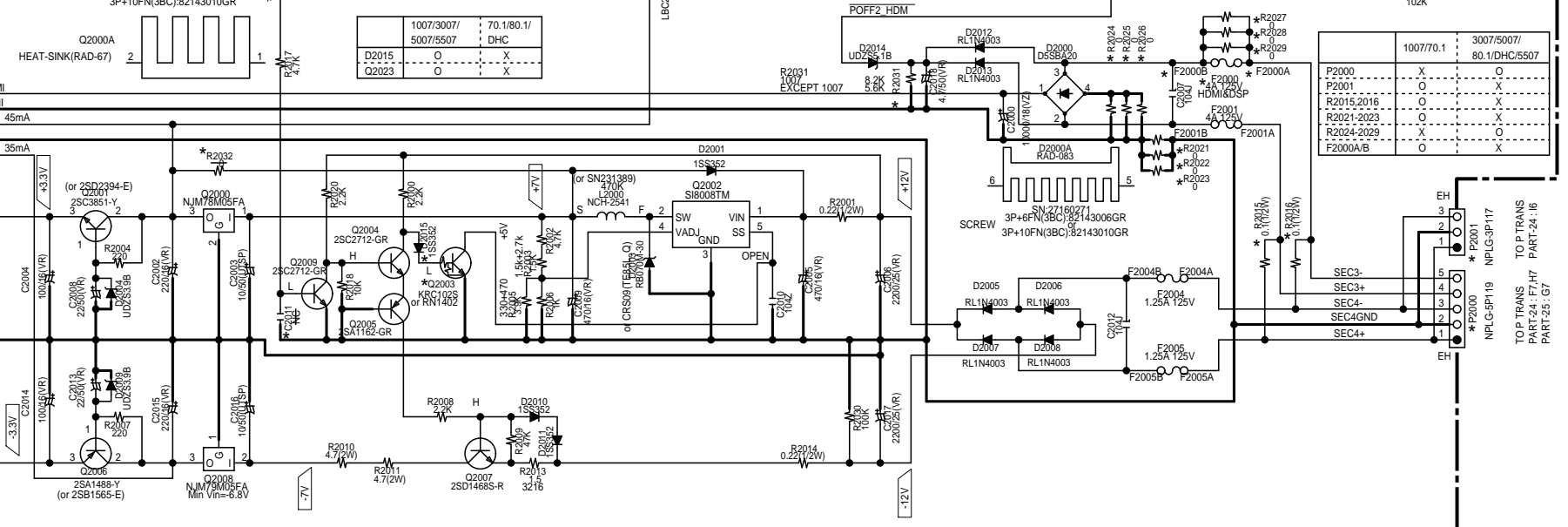
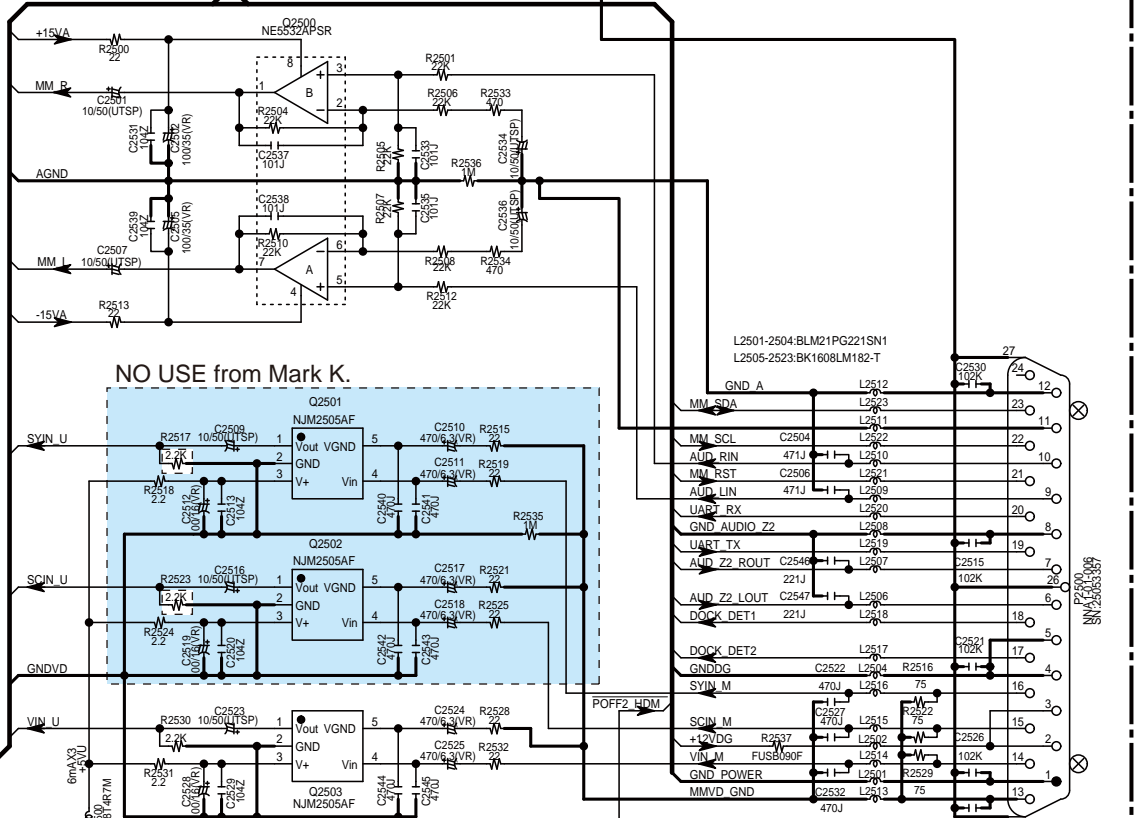
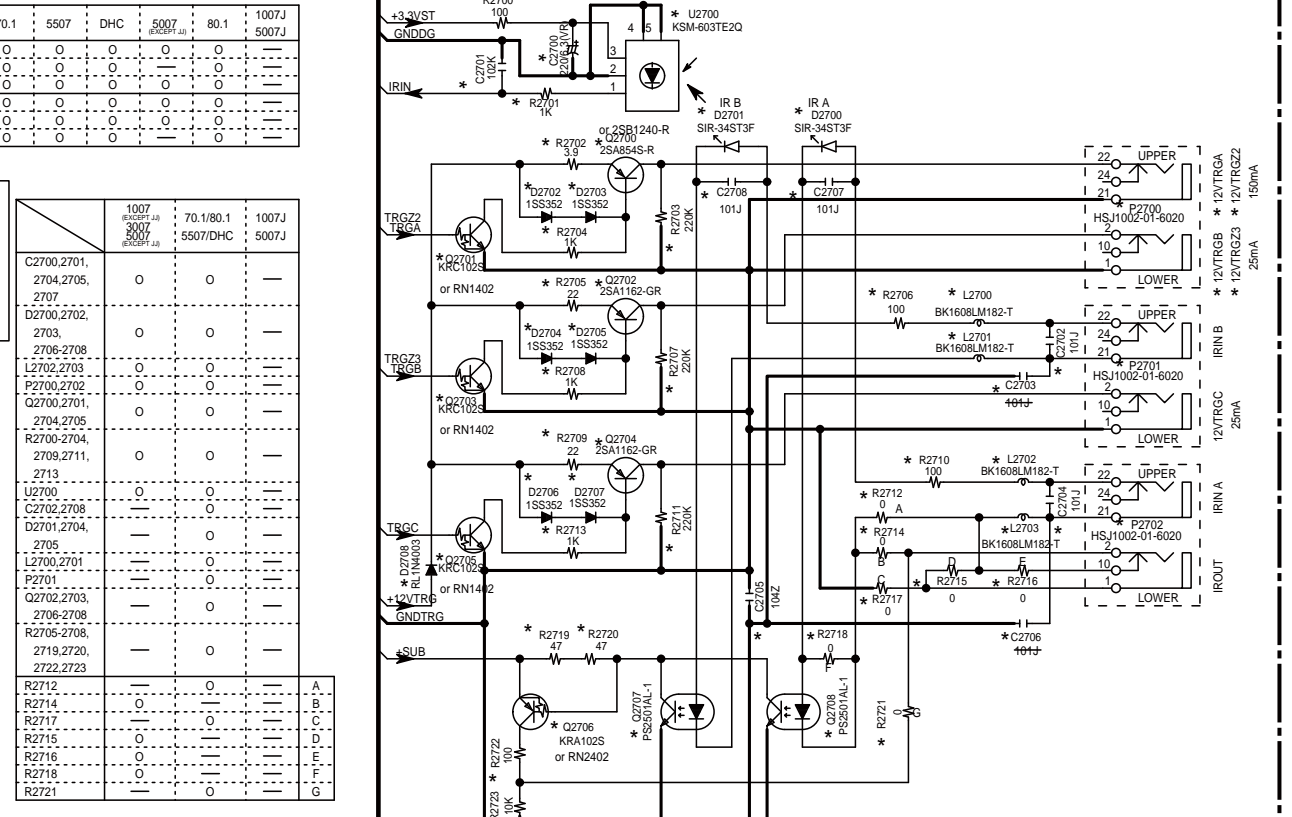
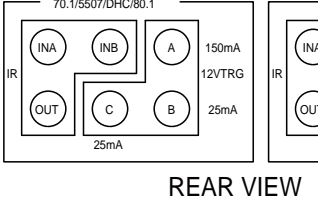
SCHEMATIC DIAGRAMS-7 / PART-12  
ANALOG VIDEO SECTION

1  
2  
3  
4  
5  
6  
7  
8

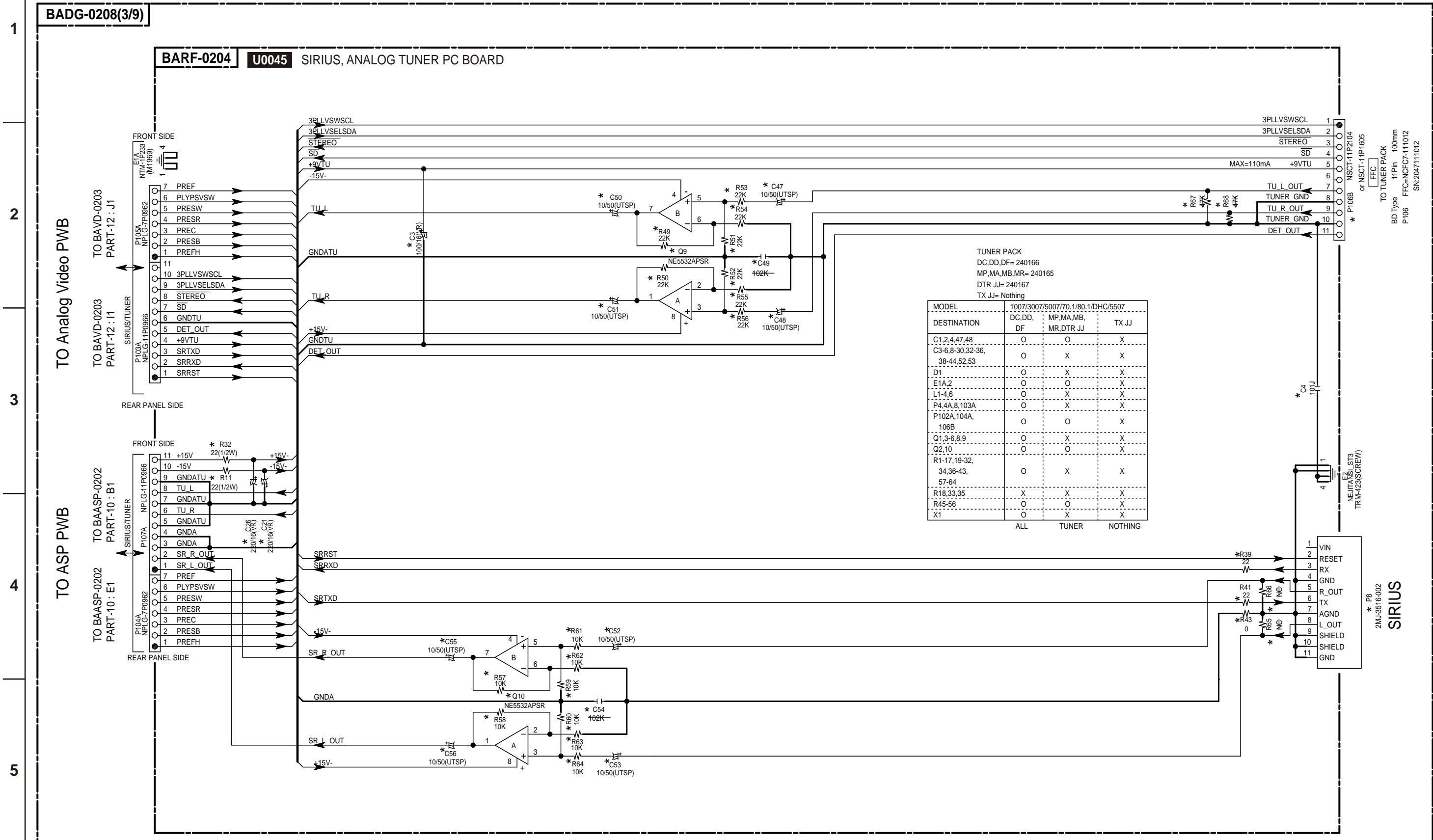
BAVD-0203-1 U0031 ANALOG VIDEO PC BOARD



	1007 J	3007	70.1	5507	DHC	5007	80.1	1007 J
INA	O	O	O	O	O	O	O	O
INB	O	O	O	O	O	O	O	O
OUT	O	O	O	O	O	O	O	O
12VTRG	O	O	O	O	O	O	O	O



**SCHEMATIC DIAGRAMS-9 / PART-14**  
**SIRIUS, ANALOG TUNER SECTION**



A

B

C

D

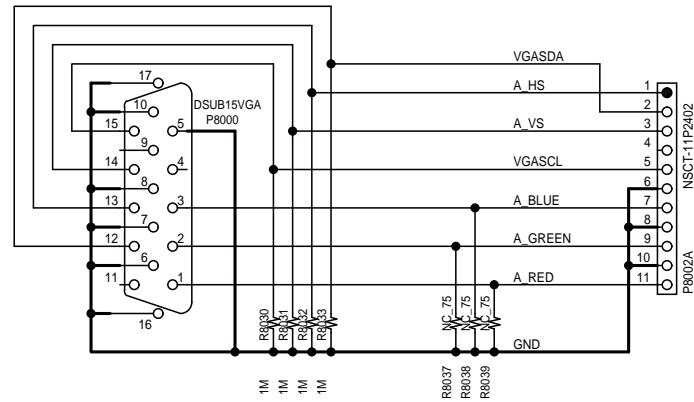
E

SCHEMATIC DIAGRAMS-10 / PART-15  
 DSUB 15 SECTION

1

**BADG-0208(9/9)**

**BAETC-0247** **U0047** DSUB15 PC BOARD



TO BAHDM-0157  
 PART-38 : A2

2

3

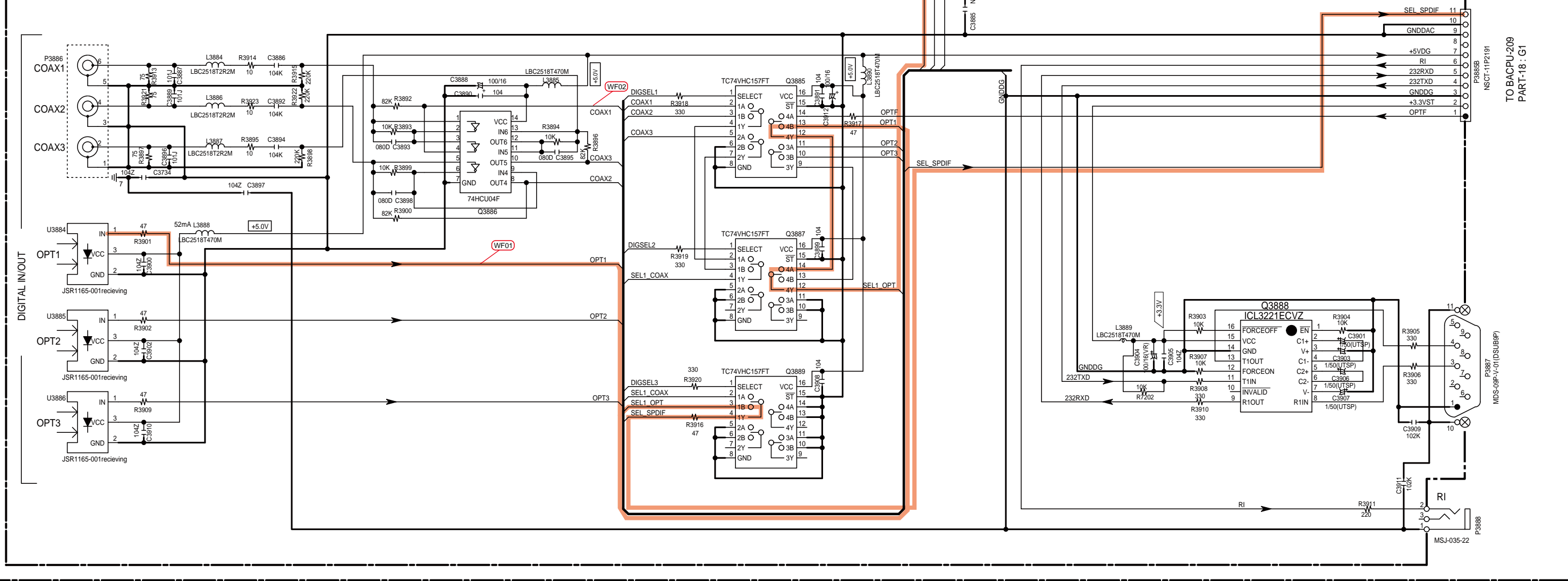
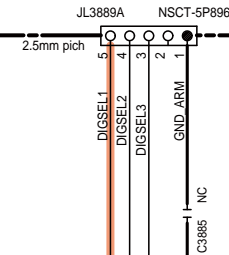
4

**SCHEMATIC DIAGRAMS-11 / PART-16**  
**DG AUDIO IN SECTION**

**BADG-0208(8/9)**

**BAETC-0246 U0046** DG AUDIO IN PC BOARD

TO BAHDM-0132/0157  
PART-29 : A1



TO BACPU-209  
PART-18 : G1

MDS-08P-V-01(DSUB9P)

1

2

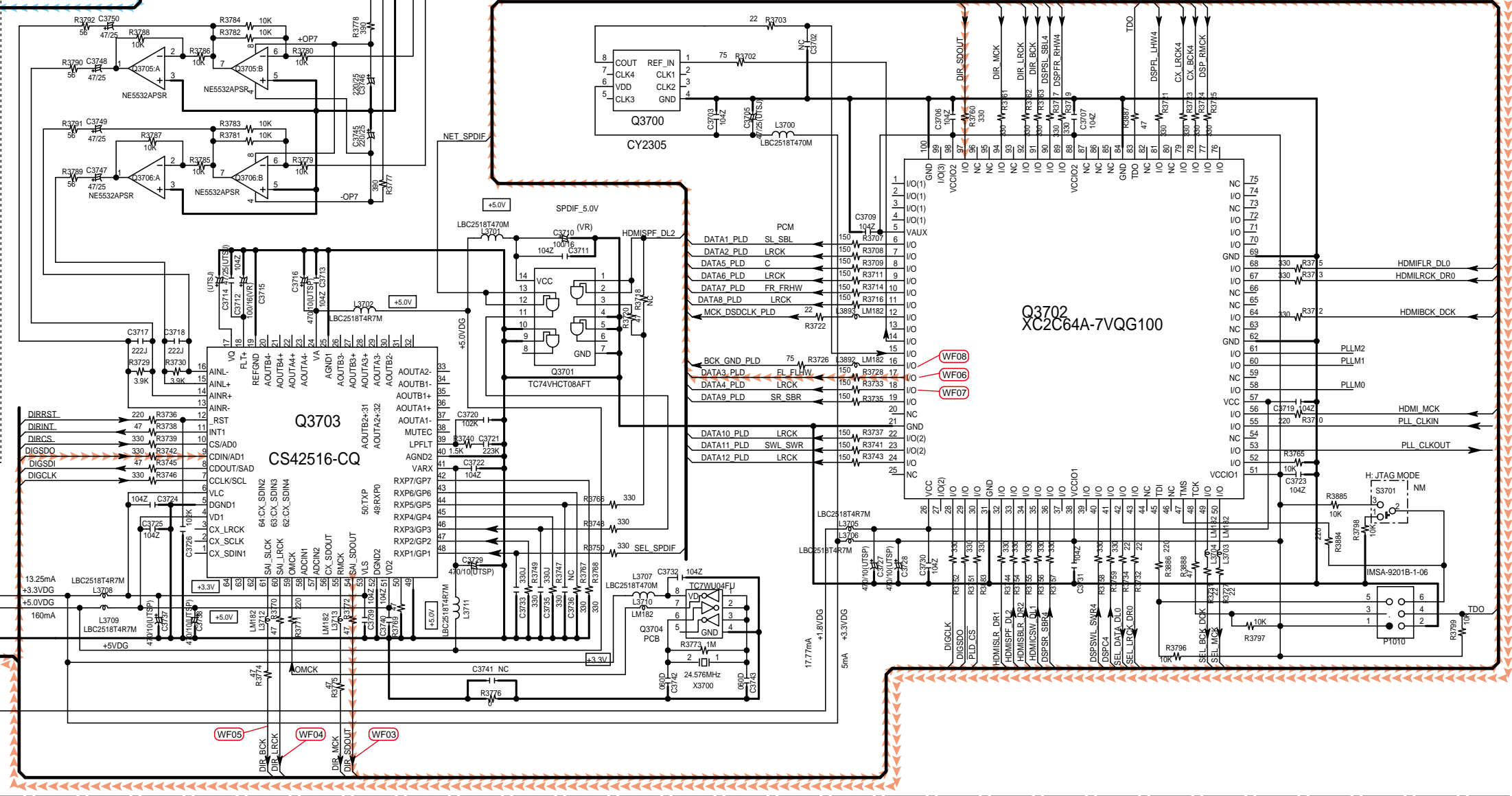
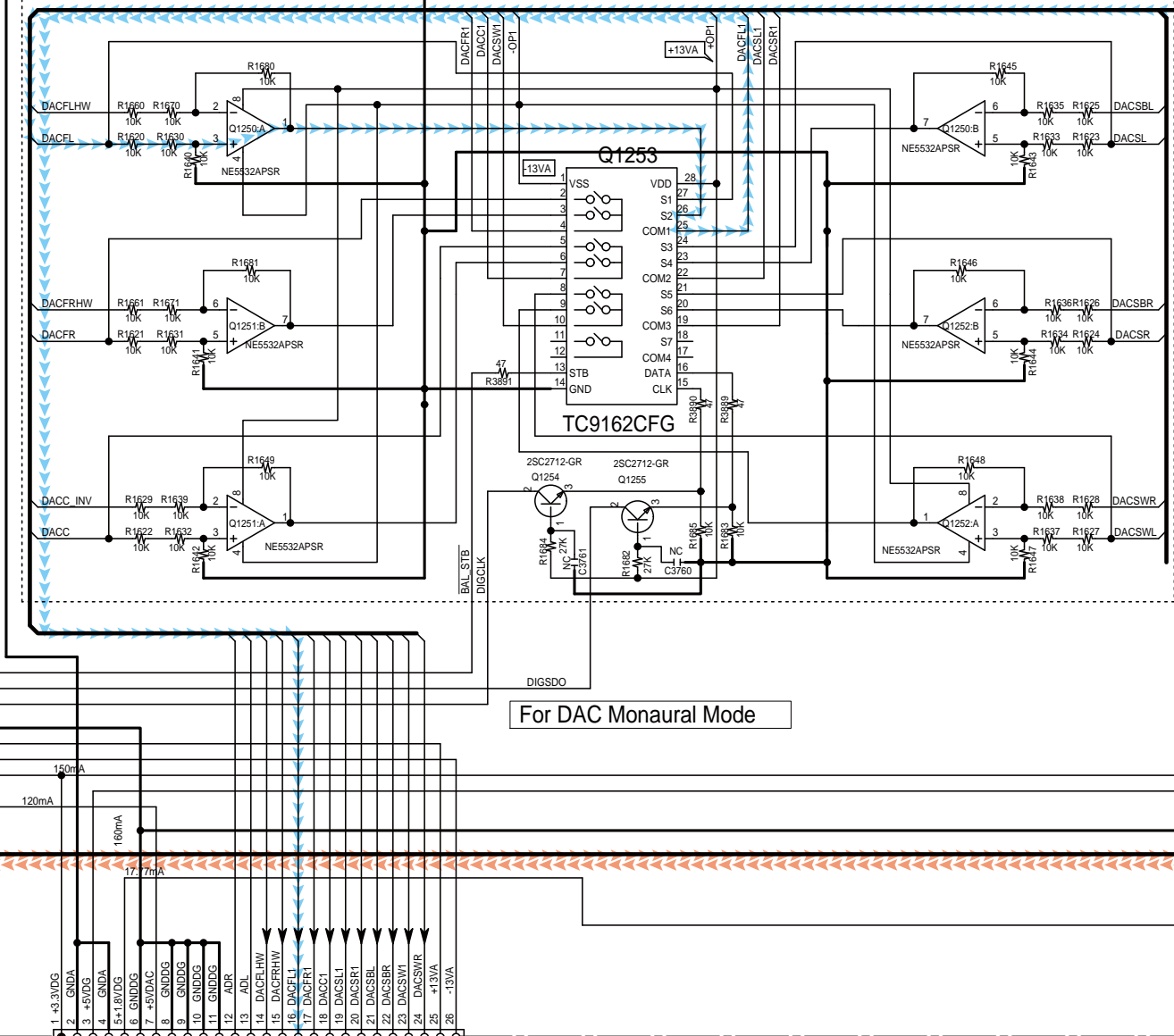
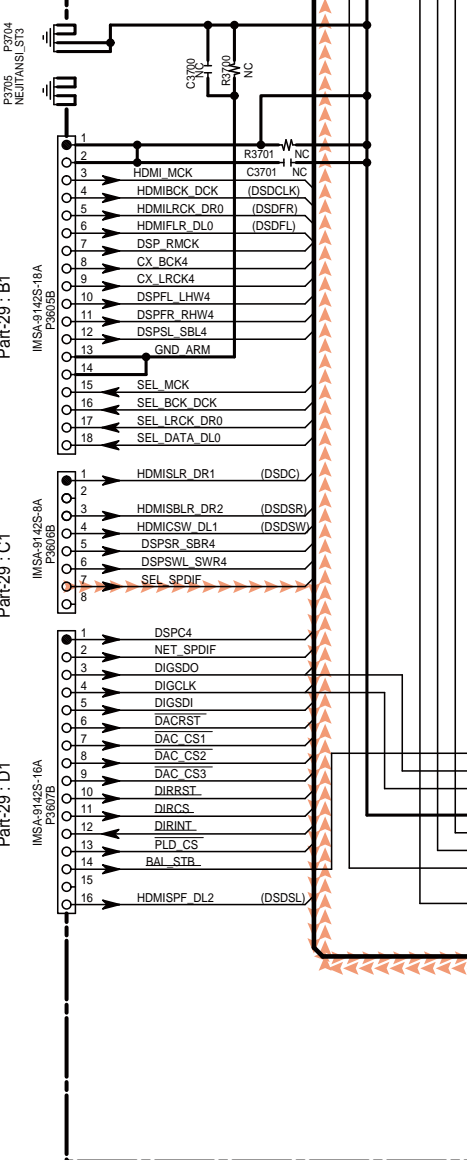
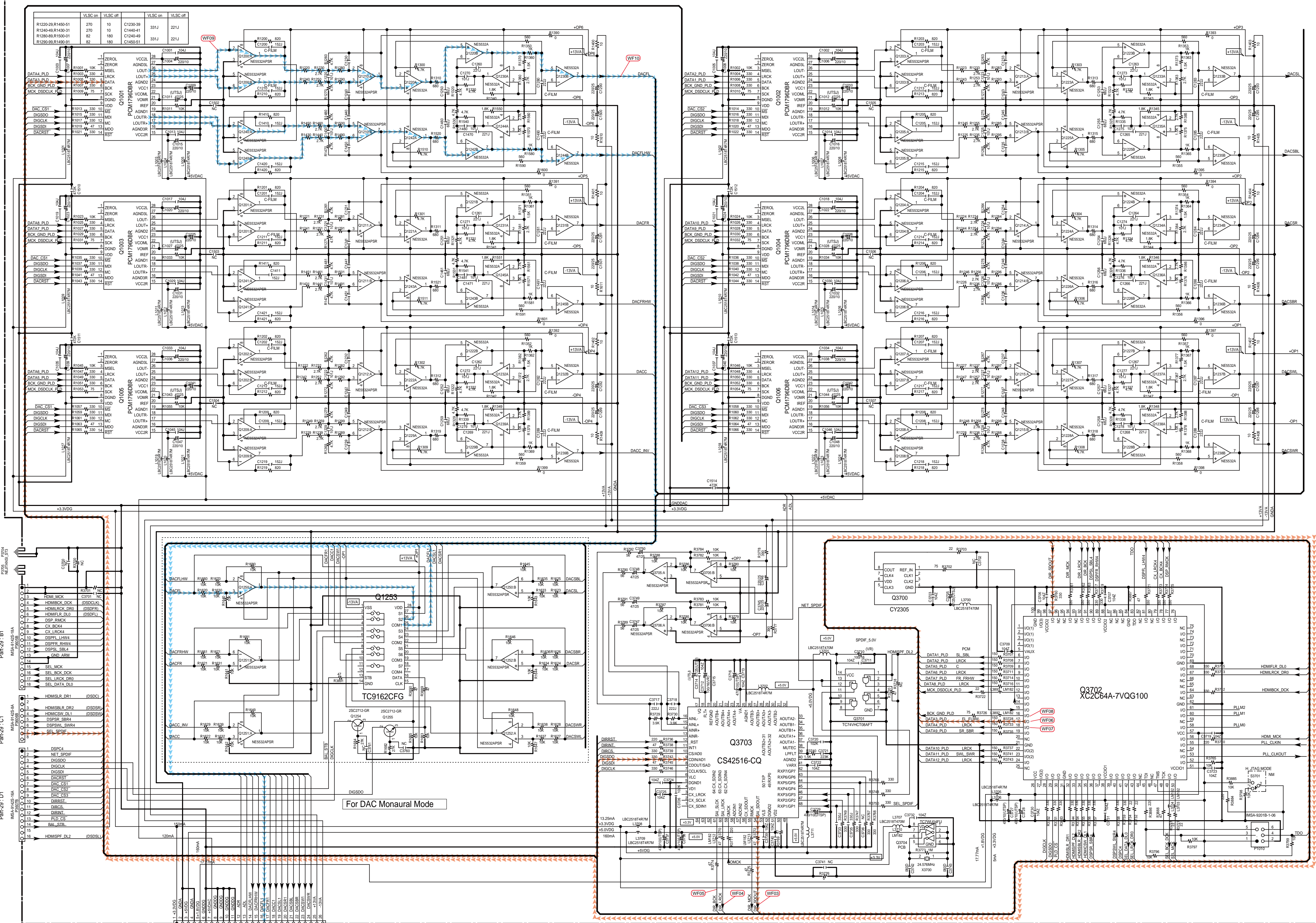
3

4

5

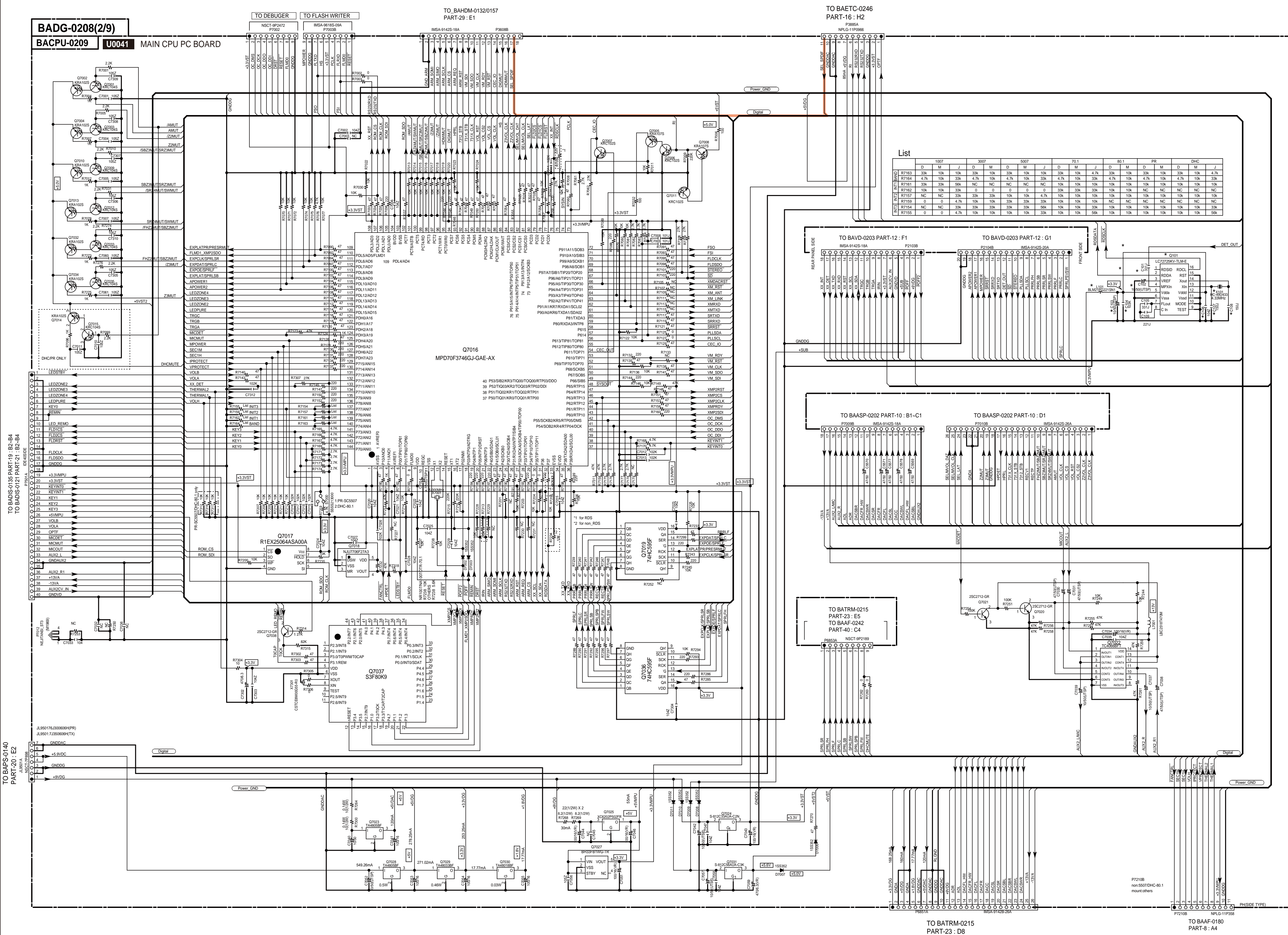
A B C D E F G H I J K  
SCHEMATIC DIAGRAMS-12 / PART-17  
CODEC, DAC AND VLSC SECTION

1 BADG-Q208-1 U0040 CODEC, DAC AND VLSC PC BOARD



TO BATRM-0215  
PART-23: B8  
TO BAAF-0242

SCHEMATIC DIAGRAMS-13 / PART-18  
MAIN MICROPROCESSOR SECTION



List

Part No.	QTY	D	M	J	D	S	M	D	S	M	J	D	M	D	M	D	PR	D	M	D	J
BAW001	1																				
BAW002	1																				
BAW003	1																				
BAW004	1																				
BAW005	1																				

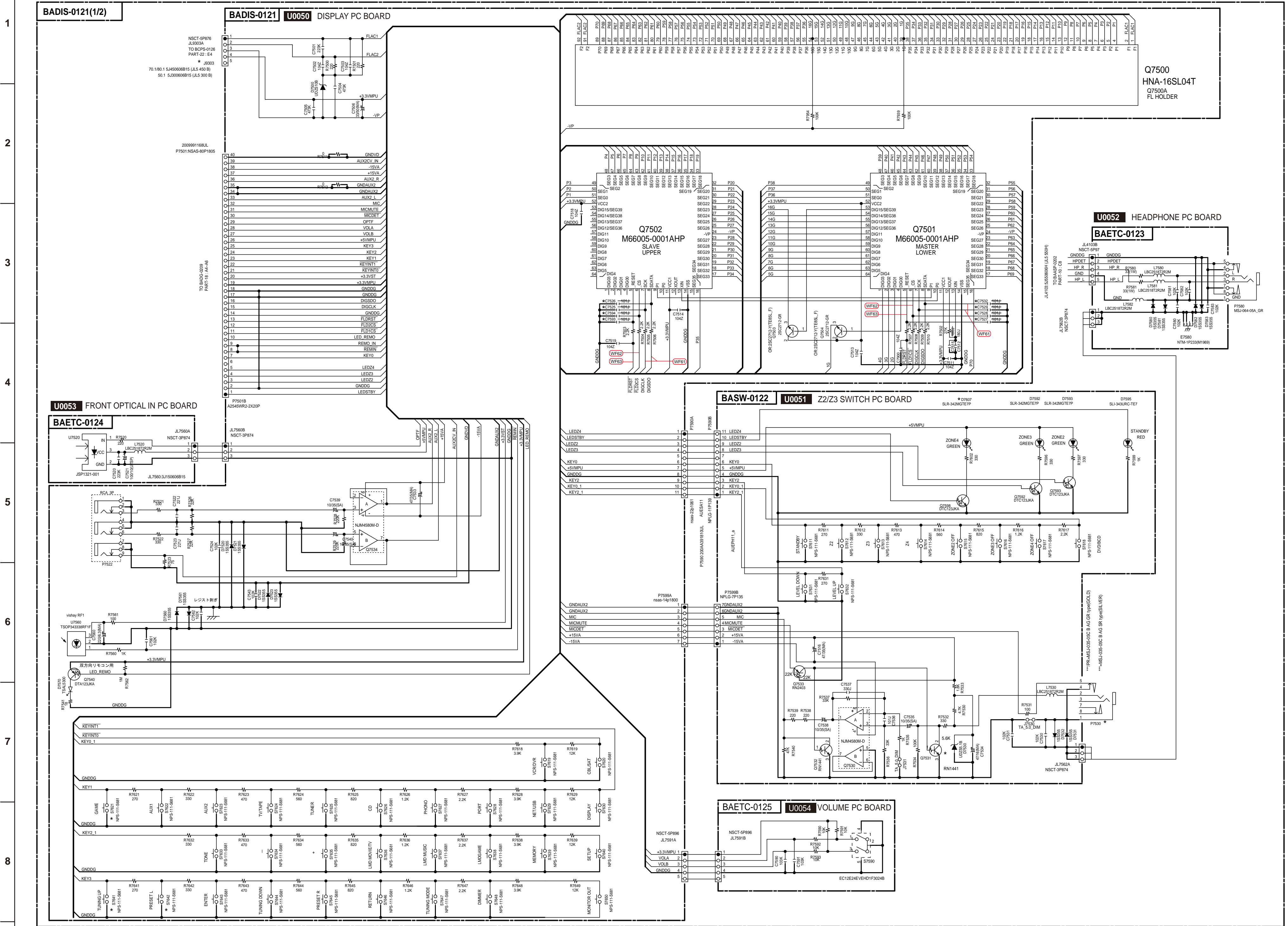
TO BADIS-0135 PART-19 : B2-B4  
TO BADIS-0121 PART-21 : B2-B4

TO BAPS-0140 PART-20 : E2

TO BATRM-0215 PART-23 : D8

TO BAAF-0180 PART-8 : A4

SCHEMATIC DIAGRAMS-16 / PART-21  
DISPLAY SECTION



BADIS-0121(1/2)

BADIS-0121 U0050 DISPLAY PC BOARD

Q7500 HNA-16SL04T Q7500A FL HOLDER

U0052 HEADPHONE PC BOARD

BAETC-0123

U0053 FRONT OPTICAL IN PC BOARD

BAETC-0124

BASW-0122 U0051 Z2/Z3 SWITCH PC BOARD

BAETC-0125 U0054 VOLUME PC BOARD

NSCT-SP876  
JL7590A  
TO BCP-0126  
PART-22: E4  
\* J9303  
70.180.1 5J450060B15 (L5 L5 450 B)  
50.1 5J300060B15 (L5 300 B)

200991168UL  
P7501 NSAS-80P1805

TO BACS-046  
PART-16: 84-46

P7501B  
A2549WR2-2X20P

JL7560B  
NSCT-3P874

visay RF1  
J7560  
TSOP4338RF1F

東方電子 用  
LED\_REMO  
DTA123JKA

KEYINT  
KEYINT0  
KEY0\_1

KEY1

KEY2\_1

KEY3

Q7502  
M66005-0001AHP  
SLAVE  
UPPER

Q7501  
M66005-0001AHP  
MASTER  
LOWER

JL4105B  
NSCT-5P97  
GNDG  
HPDET  
HP\_R  
HP\_L  
GND

JL7560B  
NSCT-3P874

E7580  
NTM-1P233(M1969)

LED24  
LED23  
LED22  
LED21  
KEY0\_1  
KEY0\_2  
KEY1  
KEY2  
KEY3

LED24  
LED23  
LED22  
LED21  
KEY0\_1  
KEY0\_2  
KEY1  
KEY2  
KEY3

STANDBY  
LEVELDOWN  
LEVELUP  
Z4  
Z3  
Z2  
Z1  
ZONE4 OFF  
ZONE4 ON  
ZONE3 OFF  
ZONE3 ON  
ZONE2 OFF  
ZONE2 ON  
ZONE1 OFF  
ZONE1 ON  
DIVERG

GNDALX2  
GNDALX1  
MIC  
MICMUTE  
MICDET  
+5V  
-15V

+3.3VMPU  
VOL  
GNDG

\* D7607  
SLR-342MTE7P

D7592  
SLR-342MTE7P

D7593  
SLR-342MTE7P

D7595  
SL-343URC-TE7

P7599A  
nsas-14P1900

P7599B  
NPL-CT135

P7599C  
NPL-CT135

P7599D  
NPL-CT135

P7599E  
NPL-CT135

P7599F  
NPL-CT135

P7599G  
NPL-CT135

P7599H  
NPL-CT135

P7599I  
NPL-CT135

P7599J  
NPL-CT135

P7599K  
NPL-CT135

P7599L  
NPL-CT135

P7599M  
NPL-CT135

P7599N  
NPL-CT135

P7599O  
NPL-CT135

P7599P  
NPL-CT135

P7599Q  
NPL-CT135

P7599R  
NPL-CT135

P7599S  
NPL-CT135

P7599T  
NPL-CT135

P7599U  
NPL-CT135

P7599V  
NPL-CT135

P7599W  
NPL-CT135

P7599X  
NPL-CT135

P7599Y  
NPL-CT135

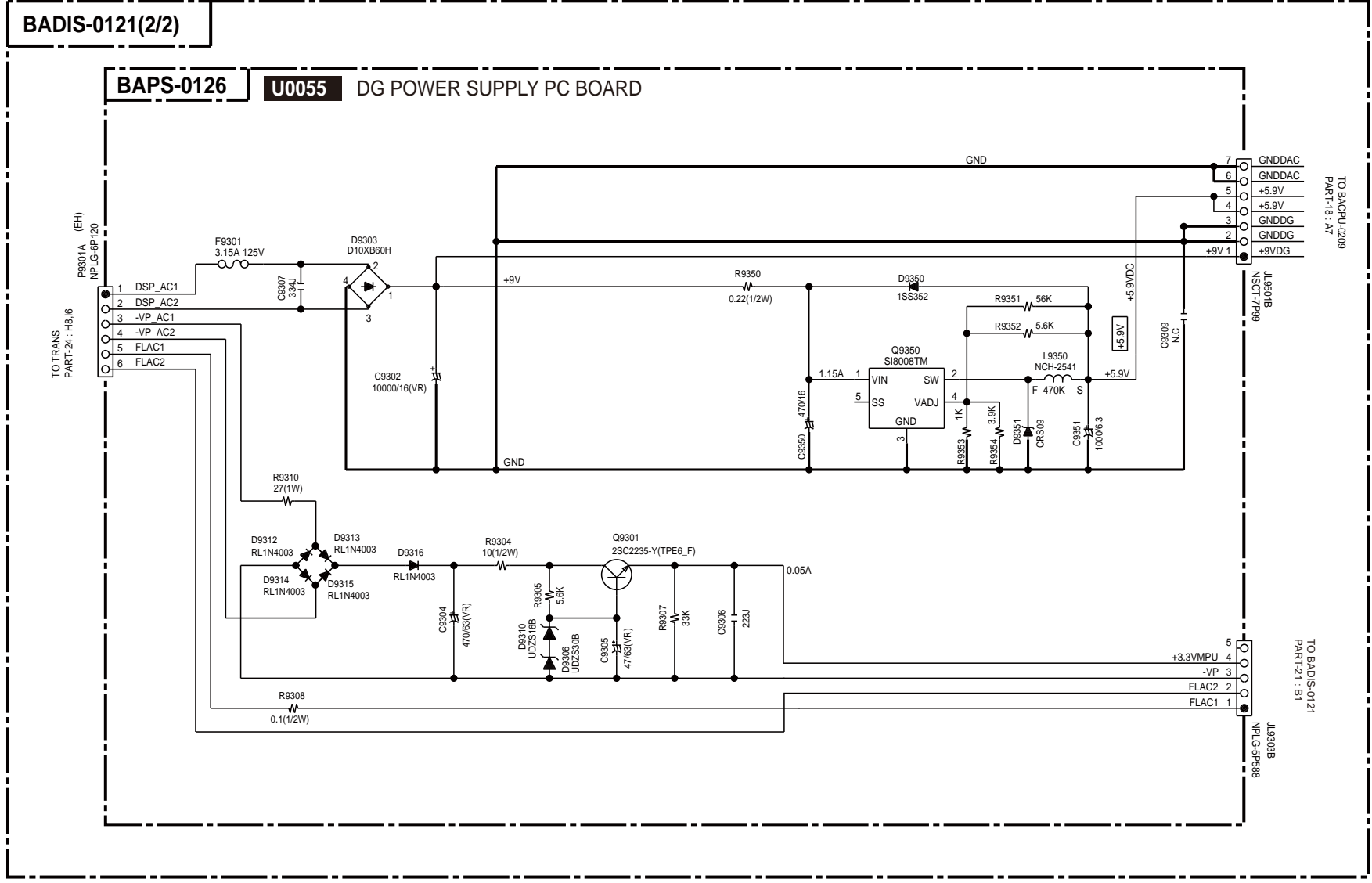
P7599Z  
NPL-CT135



SCHEMATIC DIAGRAMS-17 / PART-22  
 DG POWER SUPPLY SECTION

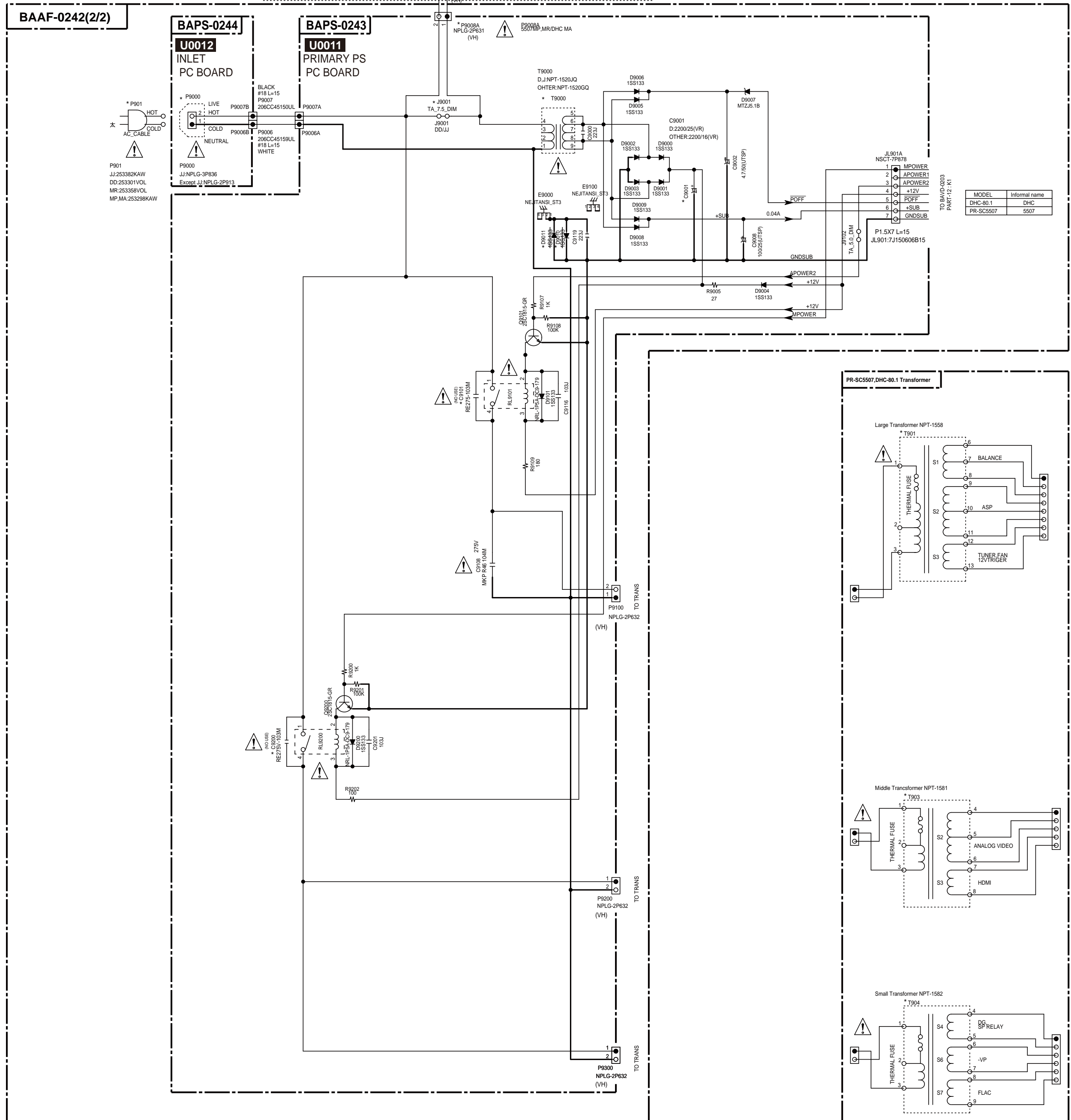
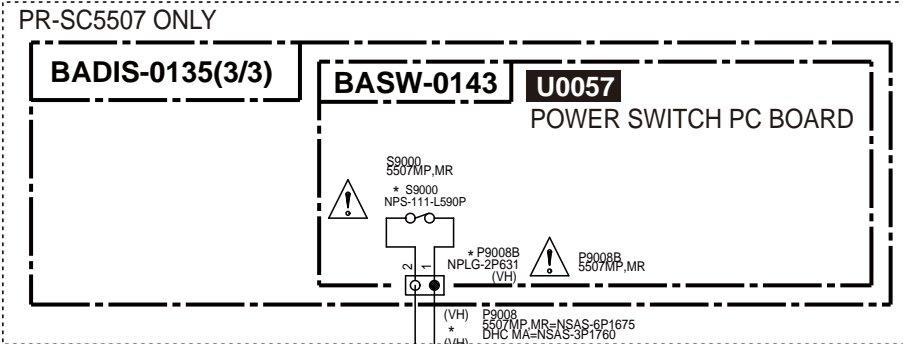
1  
2  
3  
4

A B C D E



SCHEMATIC DIAGRAMS-20 / PART-25  
PRIMARY POWER SUPPLY (AMP) SECTION

1  
2  
3  
4  
5  
6  
7  
8



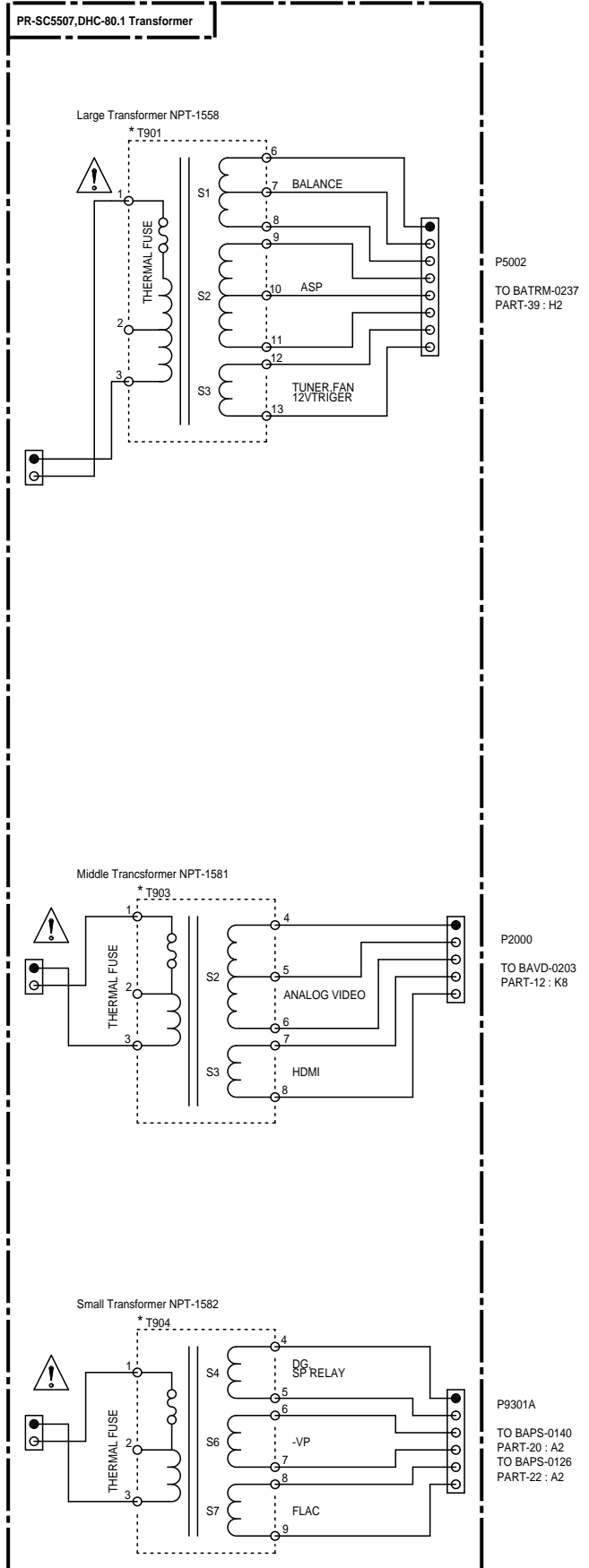
印は火災、感電の危険に關する部品の為、必ず指定部品を使用の事。  
電圧表示は負極時に測定した直流電圧を示す。  
(単位V、入力端子100kΩ/V以上の電圧計)  
記入なきコンデンサの単位はμF/VVである。  
記入なきコンデンサの単位はpF/VVである。  
例 030 → 3pF 330 → 33pF 331 → 330pF 333 → 0.033 μF  
本記線図は基本記線図につき性能改善等により予告なく変更する事がある。

THE COMPONENTS IDENTIFIED BY MARK ARE CRITICAL FOR SAFETY. REPLACE ONLY WITH PART NUMBER SPECIFIED.  
VOLTAGE MEASURED WITH VOLTMETER IS DC VOLTAGE (NO INPUT SIGNAL).  
ELECTROLYTIC CAPACITORS ARE IN μF/VV.  
ALL CAPACITORS ARE IN pF/50VV UNLESS OTHERWISE NOTED.  
EX) 030 → 3pF 330 → 33pF 331 → 330pF 333 → 0.033 μF  
CIRCUIT IS SUBJECT TO CHANGE FOR IMPROVEMENT.

CAUTION  
FOR CONTINUED PROTECTION AGAINST FIRE HAZARD, REPLACE ONLY WITH FUSE OF SAME TYPE AND RATING INDICATED.

CAUTION  
AFIN D'ASSURER UNE PROTECTION PERMANENTE CONTRE LES RISQUES D'INCENDIE, REMPLACER UNIQUEMENT PAR UN FUSIBLE DE MEME TYPE ET CALIBRATION COMME INDIQUE.

THIS SYMBOL LOCATED NEAR THE FUSE INDICATES THAT THE FUSE USED IS SLOW OPERATING TYPE FOR CONTINUED PROTECTION AGAINST FIRE HAZARD. REPLACE WITH SAME TYPE FUSE. FOR FUSE RATING REFER TO THE MAKING ADJACENT TO THE SYMBOL.  
CE SYMBOLE INDIQUE QUE LE FUSIBLE UTILISE EST A LENT, E POUR UNE PROTECTION PERMANENTE. UTILISER QUE DES FUSIBLES DE MEME TYPE. CE DERNIER EST INDIQUE LA QU LE PRESENT SYMBOLE EST APPOSE.

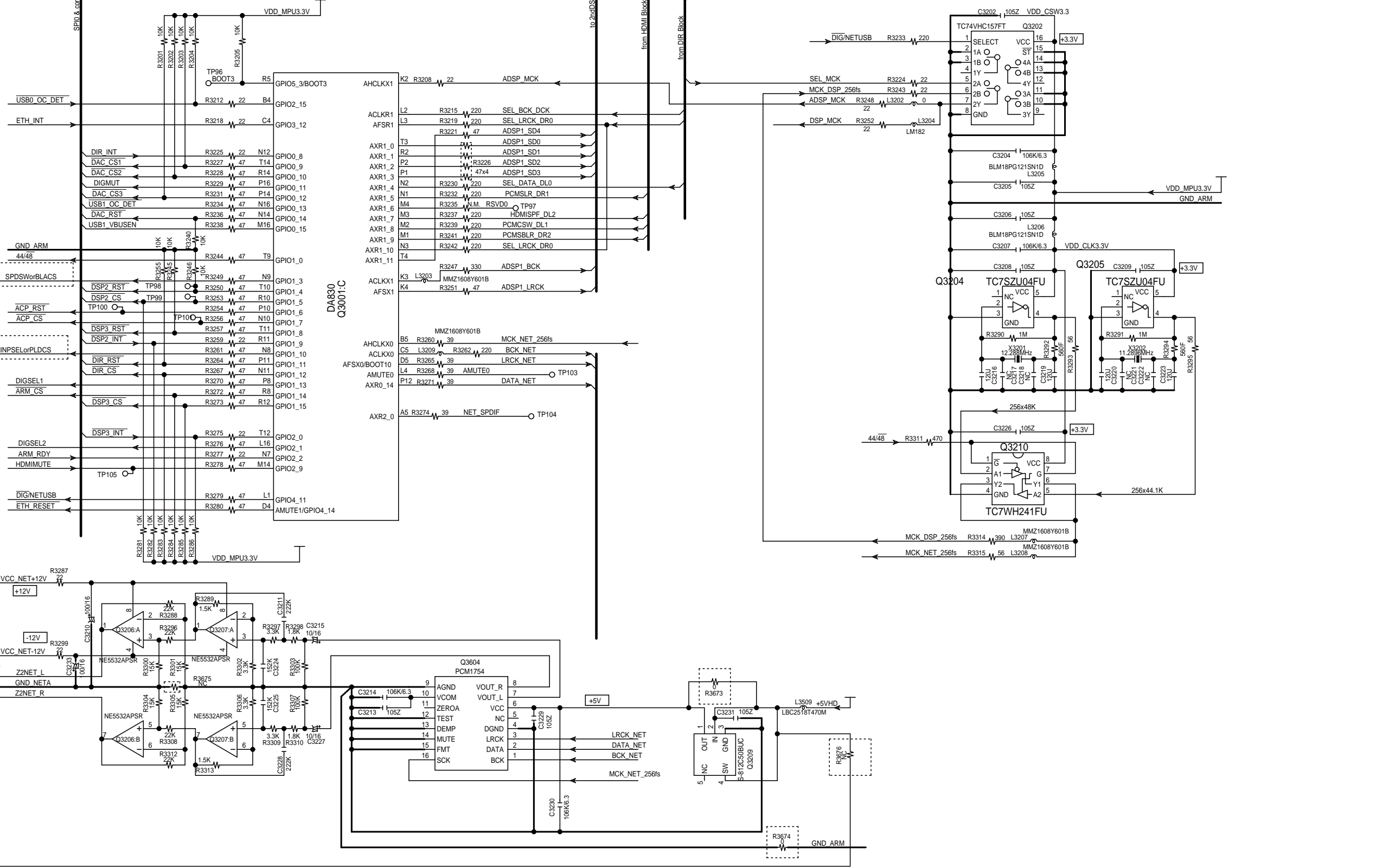


SCHEMATIC DIAGRAMS-21 / PART-26  
NET / USB / ZONE2 SECTION

BAHDM-0132/0157 (1/8)

U007  
HDMI PC BOARD

SPI0 & control signals  
to 2nd DSP  
from HDMI Block  
from DIR Block



TO BAVD0203  
PART:1P-E1  
1.5mm pitch

1  
2  
3  
4  
5

**SCHEMATIC DIAGRAMS-22 / PART-27**  
**NET / USB / POWER SECTION**

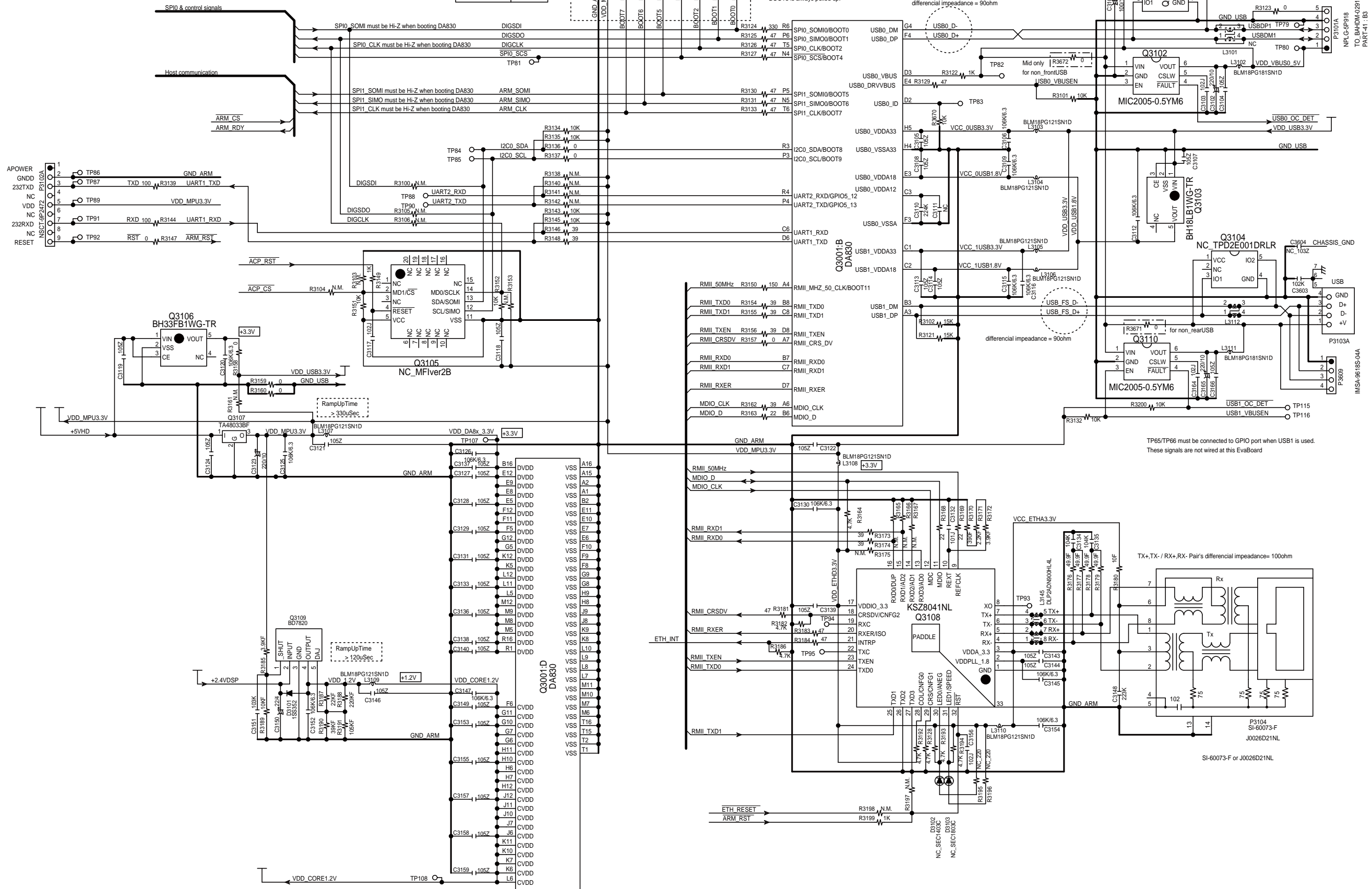
**BAHDM-0132/0157 (2/8)**

**U007**  
**HDMI PC BOARD**

R3115 or R3116	BOOT2
R3111 or R3112	BOOT5
R3109 or R3110	BOOT6
R3107 or R3108	BOOT7

Boot Opt.	NAND	UART1	SPI0
BOOT7	L	H	L
BOOT1	L	H	L
BOOT0	H	H	L
BOOT3	H	H	H
BOOT2	H	H	H

BOOT3 is always pulled up.

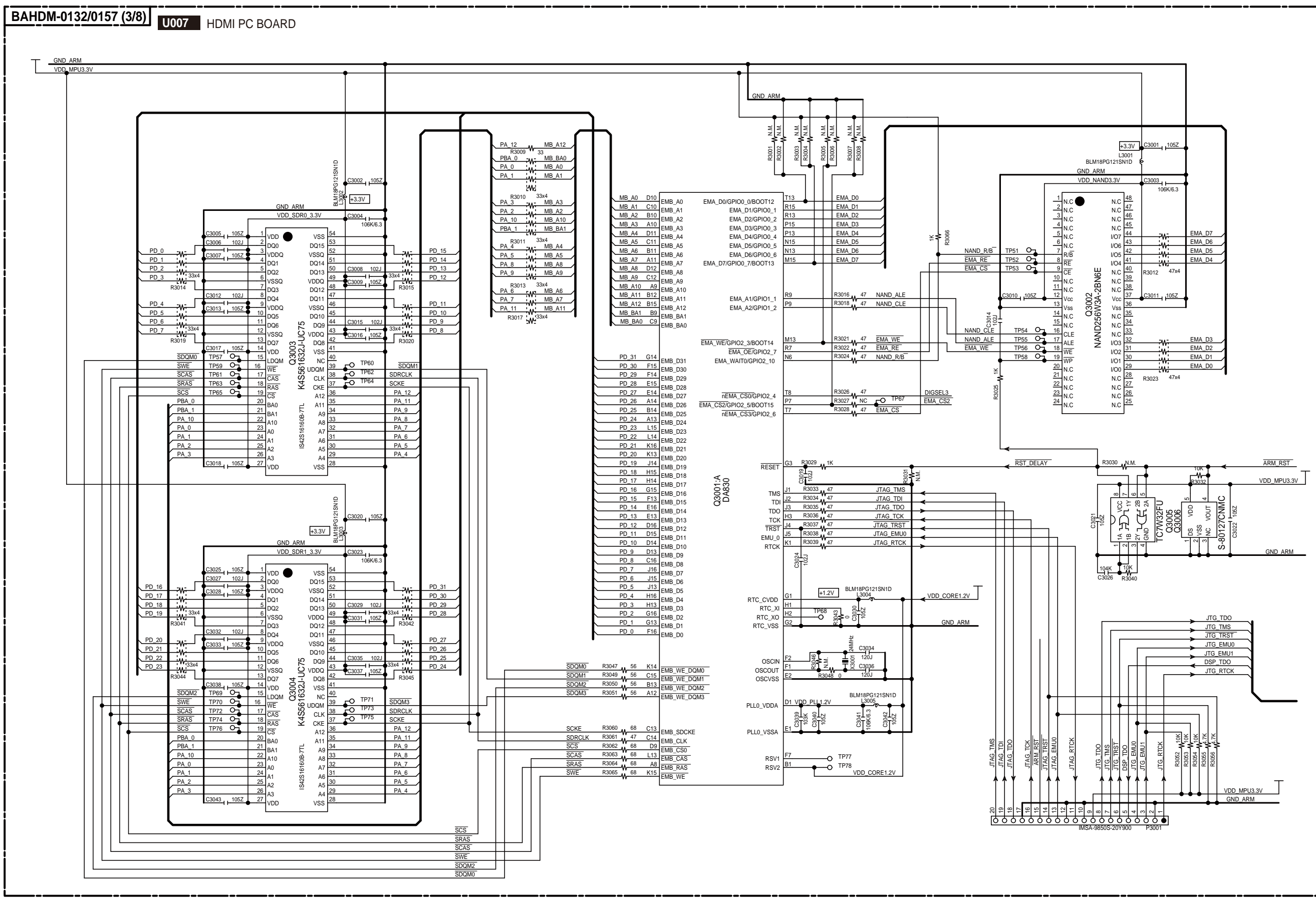


1  
2  
3  
4  
5

**SCHEMATIC DIAGRAMS-23 / PART-28**  
DSP MEMORY SECTION

**BAHDM-0132/0157 (3/8)** U007 HDMI PC BOARD

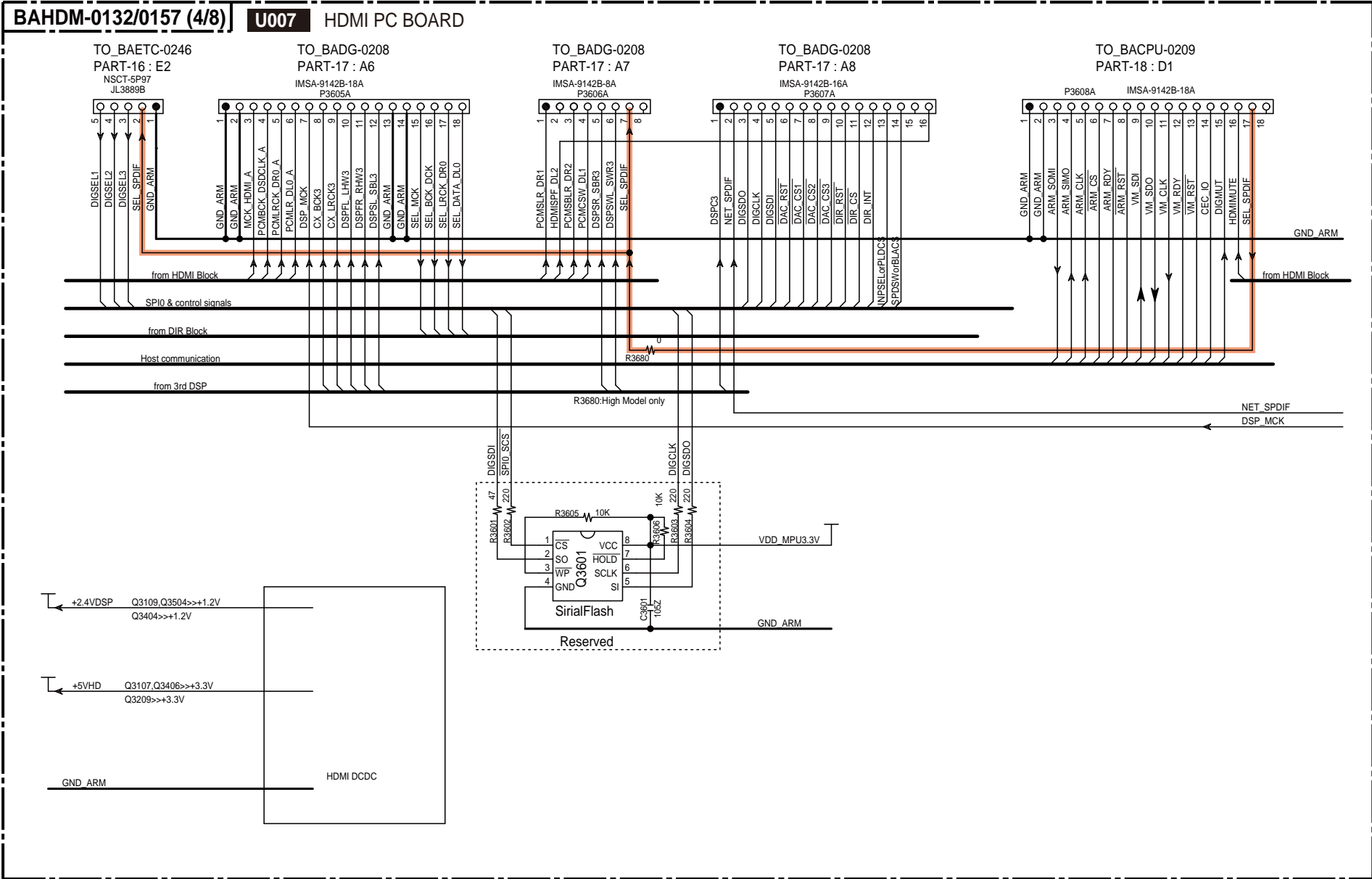
1  
2  
3  
4  
5



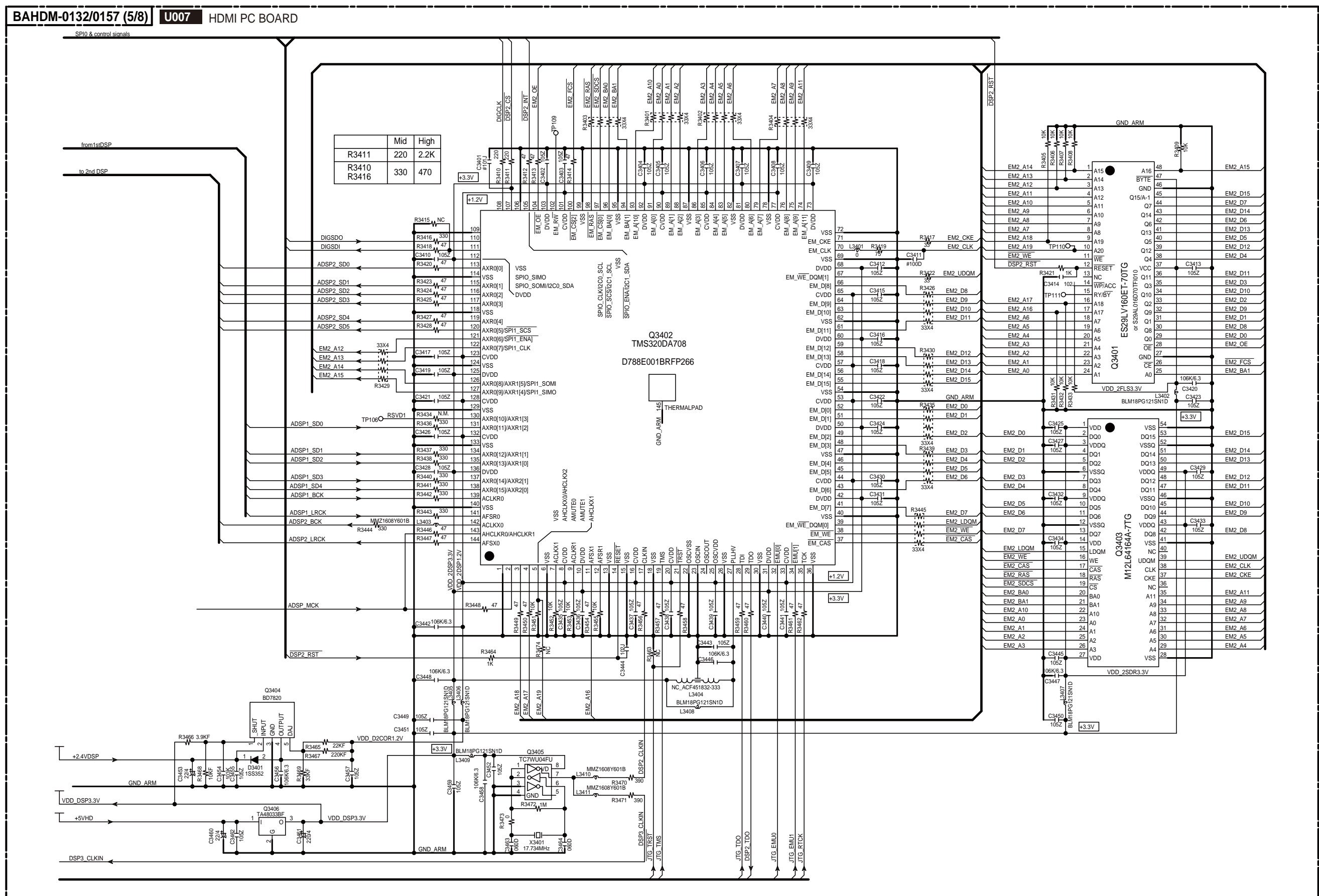
**SCHEMATIC DIAGRAMS-24 / PART-29**  
**DSP CONNECTOR SECTION**

1  
2  
3  
4

A B C D E

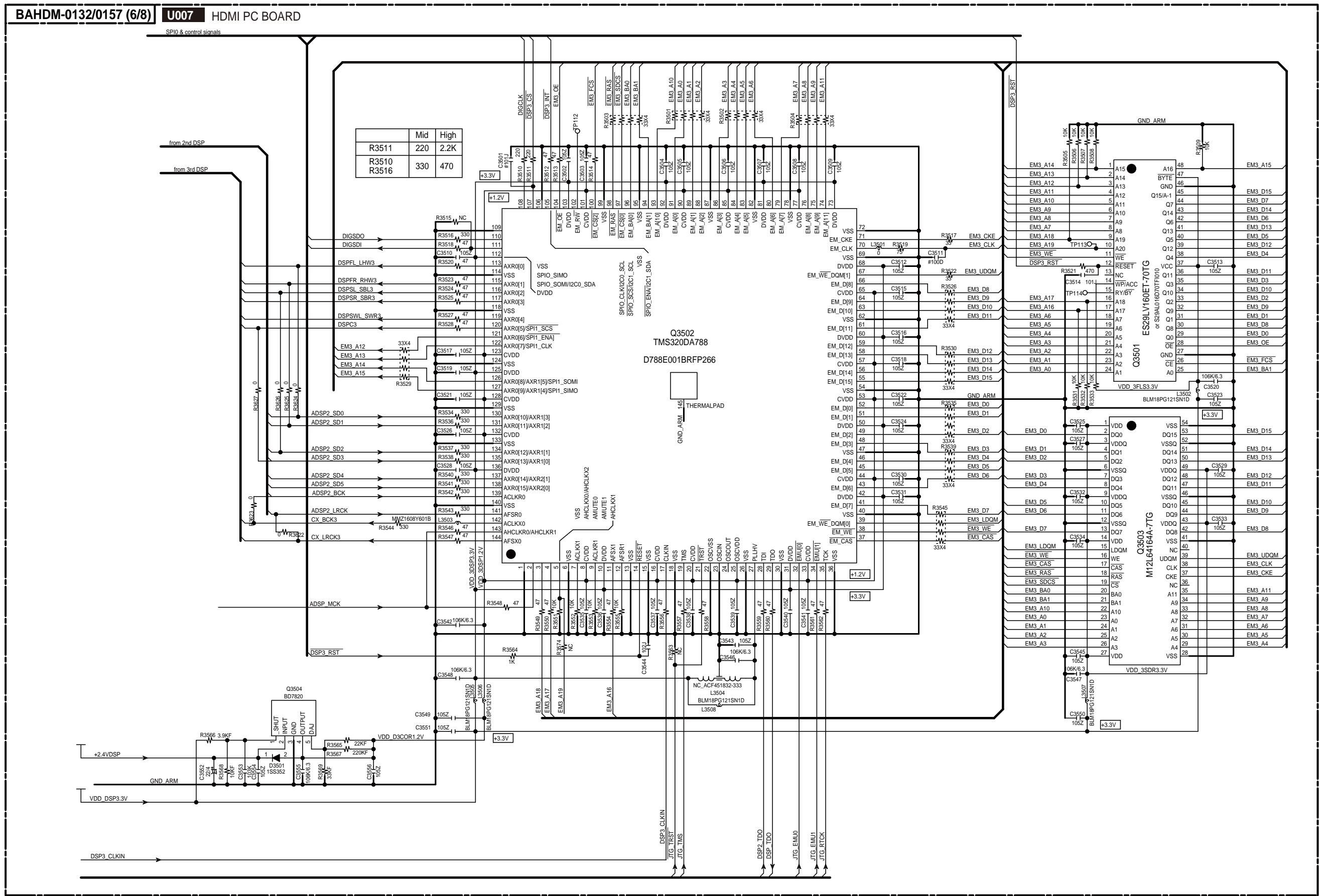


SCHEMATIC DIAGRAMS-25 / PART-30  
2ND DSP SECTION



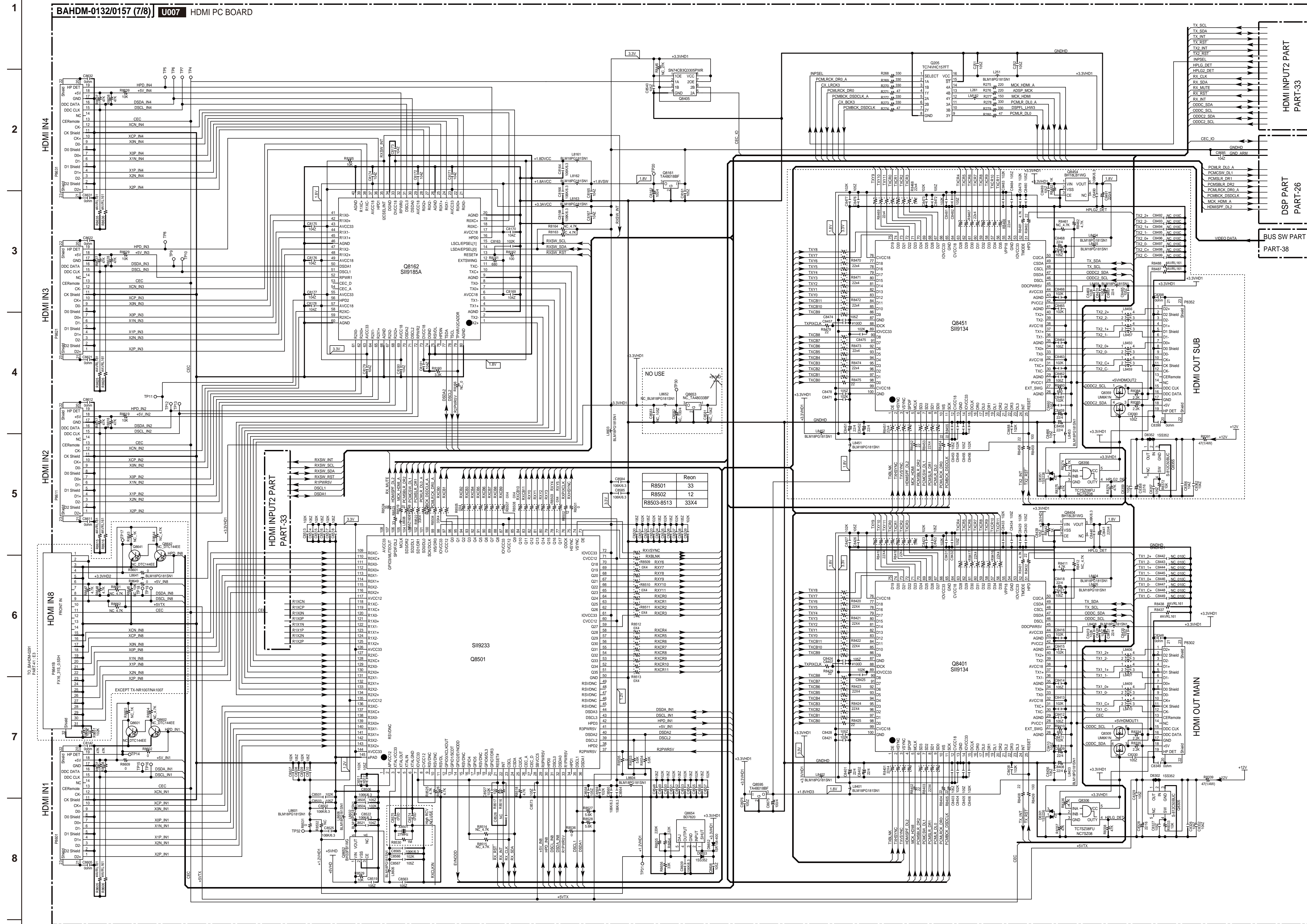
SCHEMATIC DIAGRAMS-26 / PART-31  
3RD DSP SECTION

1  
2  
3  
4  
5

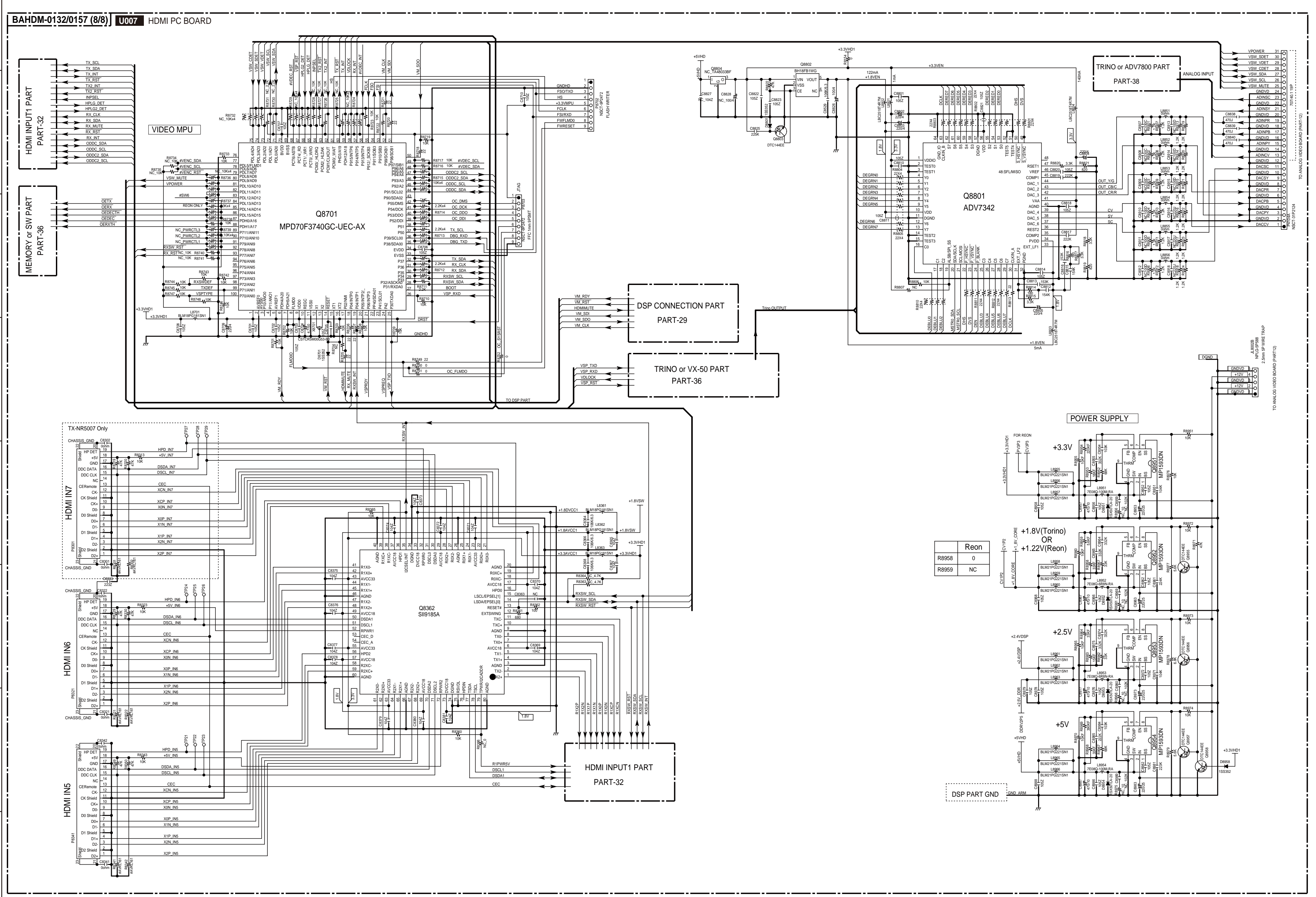




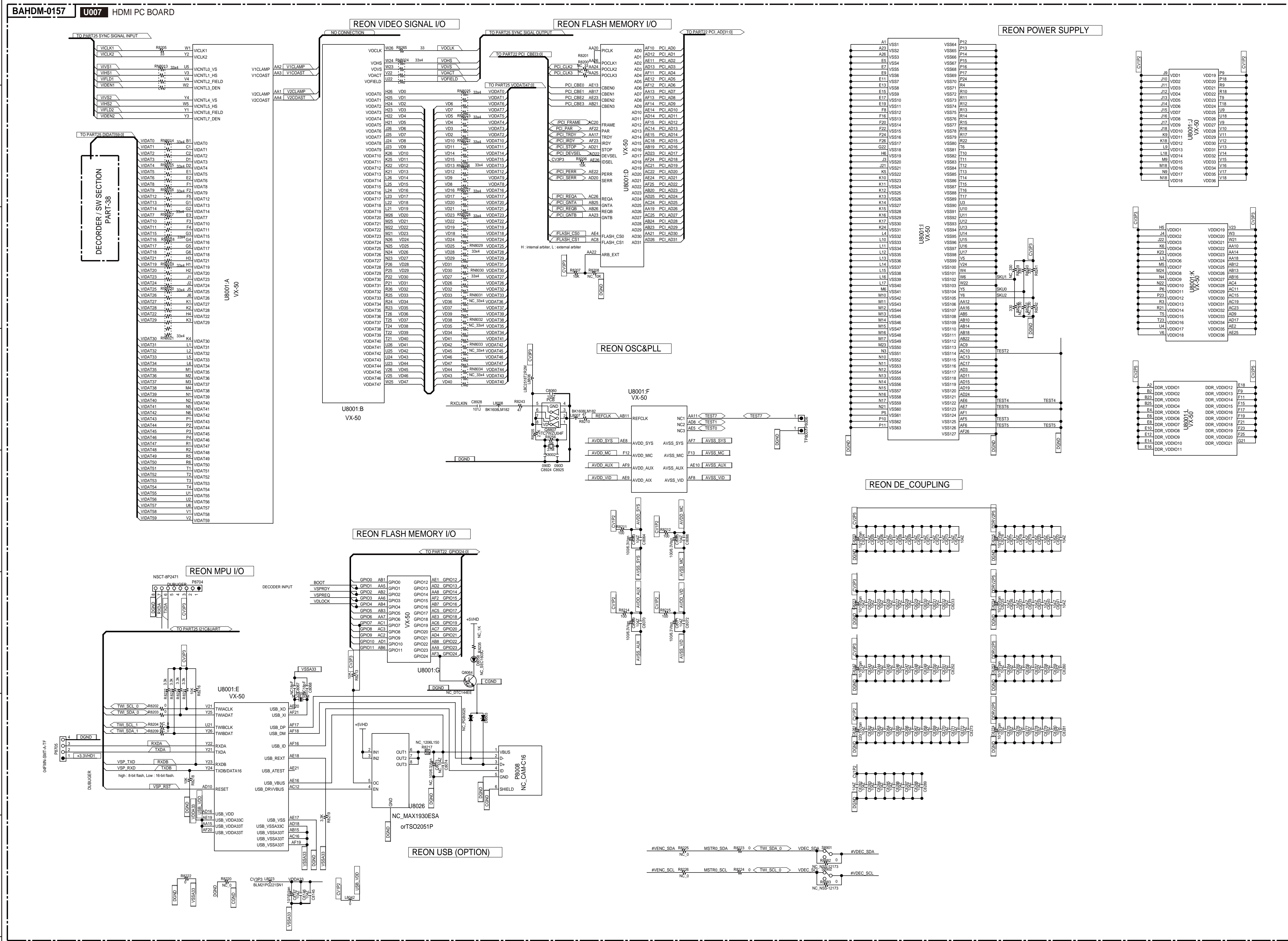
SCHEMATIC DIAGRAMS-27 / PART-32  
HDMI IN/OUT SECTION



SCHEMATIC DIAGRAMS-28 / PART-33  
HDMI IN / ENCODER / POWER SUPPLY SECTION

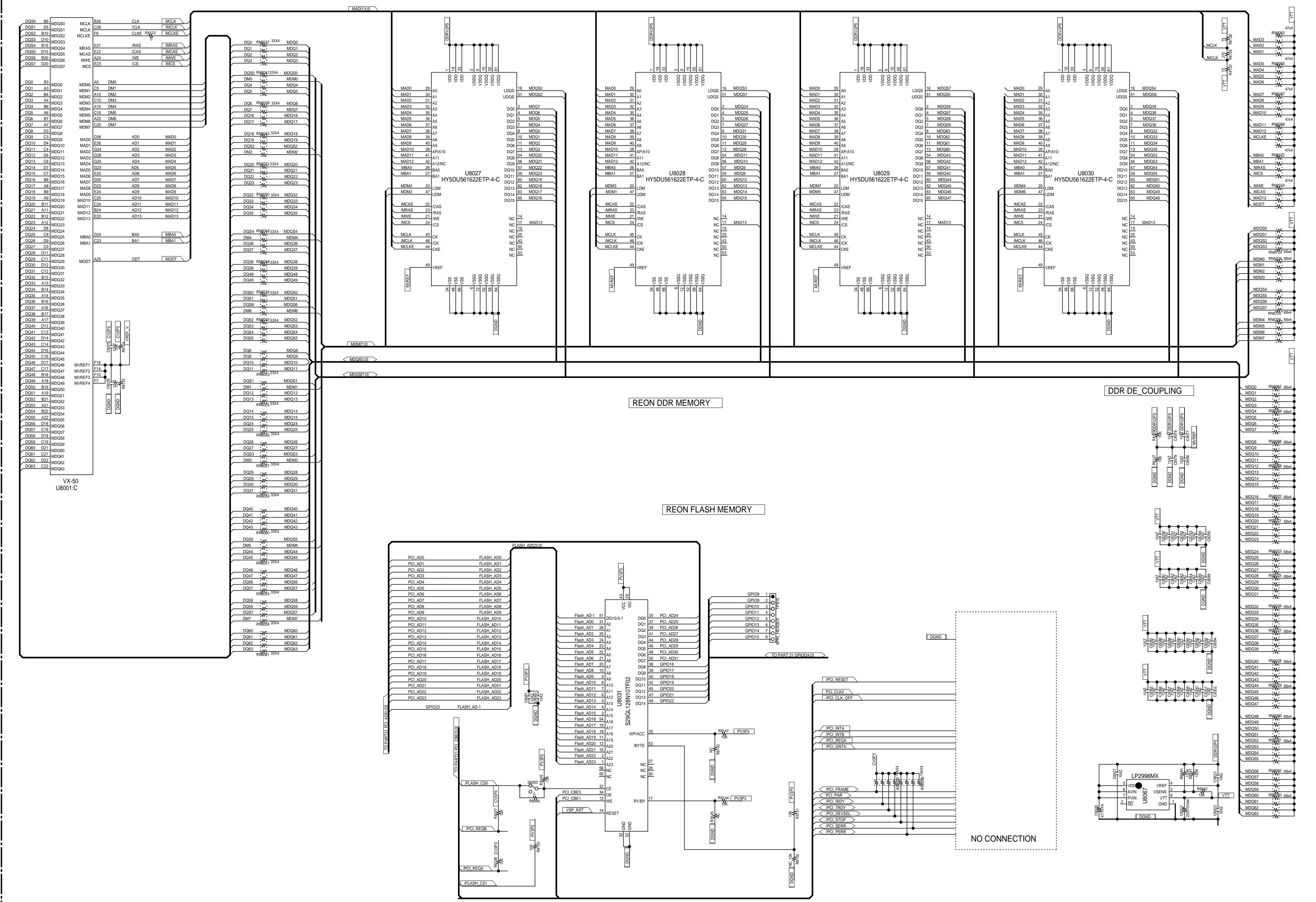


SCHEMATIC DIAGRAMS-31 / PART-36  
REON (VX-50) SECTION



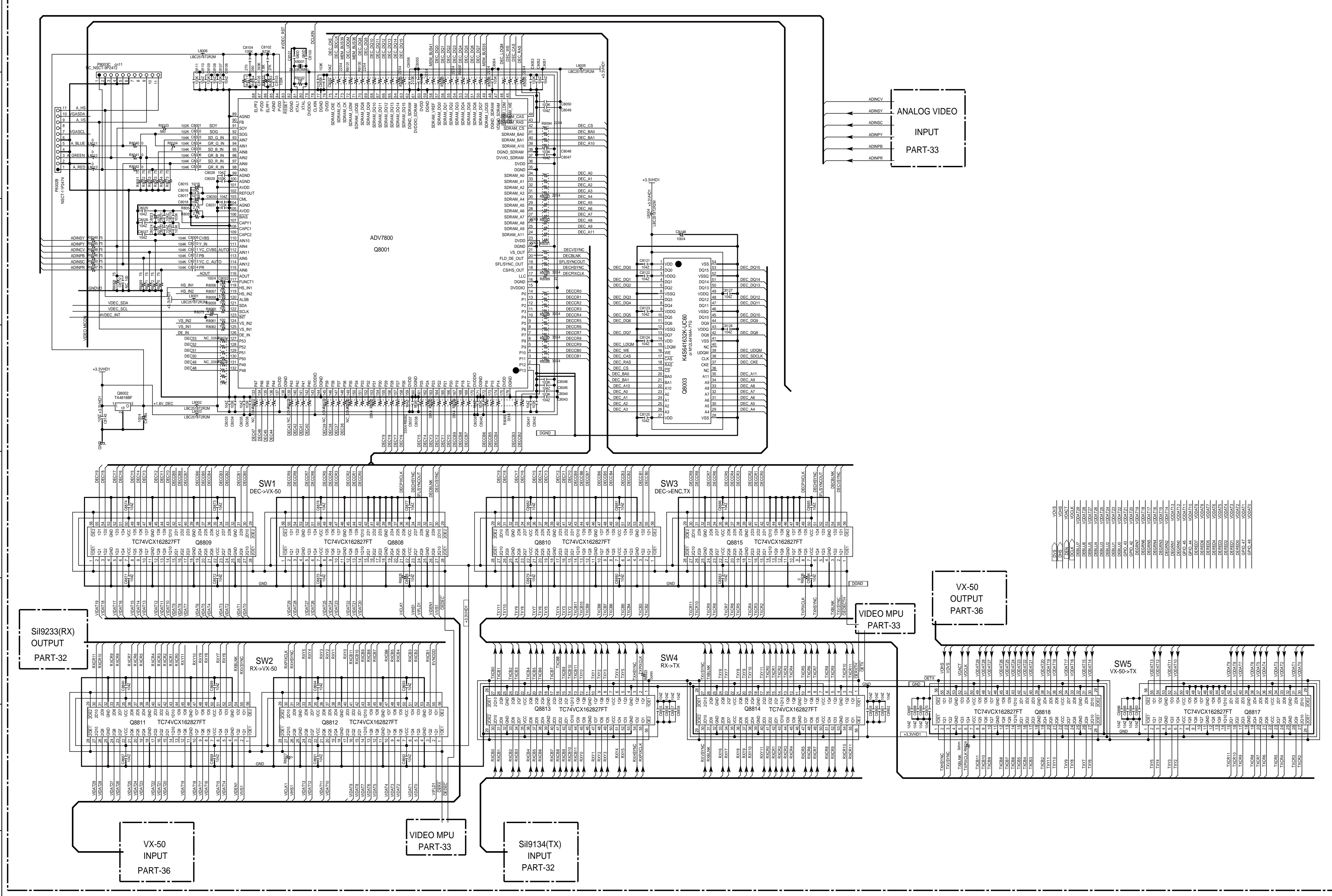
SCHEMATIC DIAGRAMS-32 / PART-37  
REON (VX-50) MEMORY SECTION

BAHDM-0157 U007 HDMI PC BOARD



SCHEMATIC DIAGRAMS-33 / PART-38  
VIDEO DECODER / SW SECTION

BAHDM-0157 U007 HDMI PC BOARD



ADINCV  
ADINSY  
ADINSC  
ADINPV  
ADINPB  
ADINPR

ANALOG VIDEO  
INPUT  
PART-33

VX-50  
OUTPUT  
PART-36

VIDEO MPU  
PART-33

VX-50  
INPUT  
PART-36

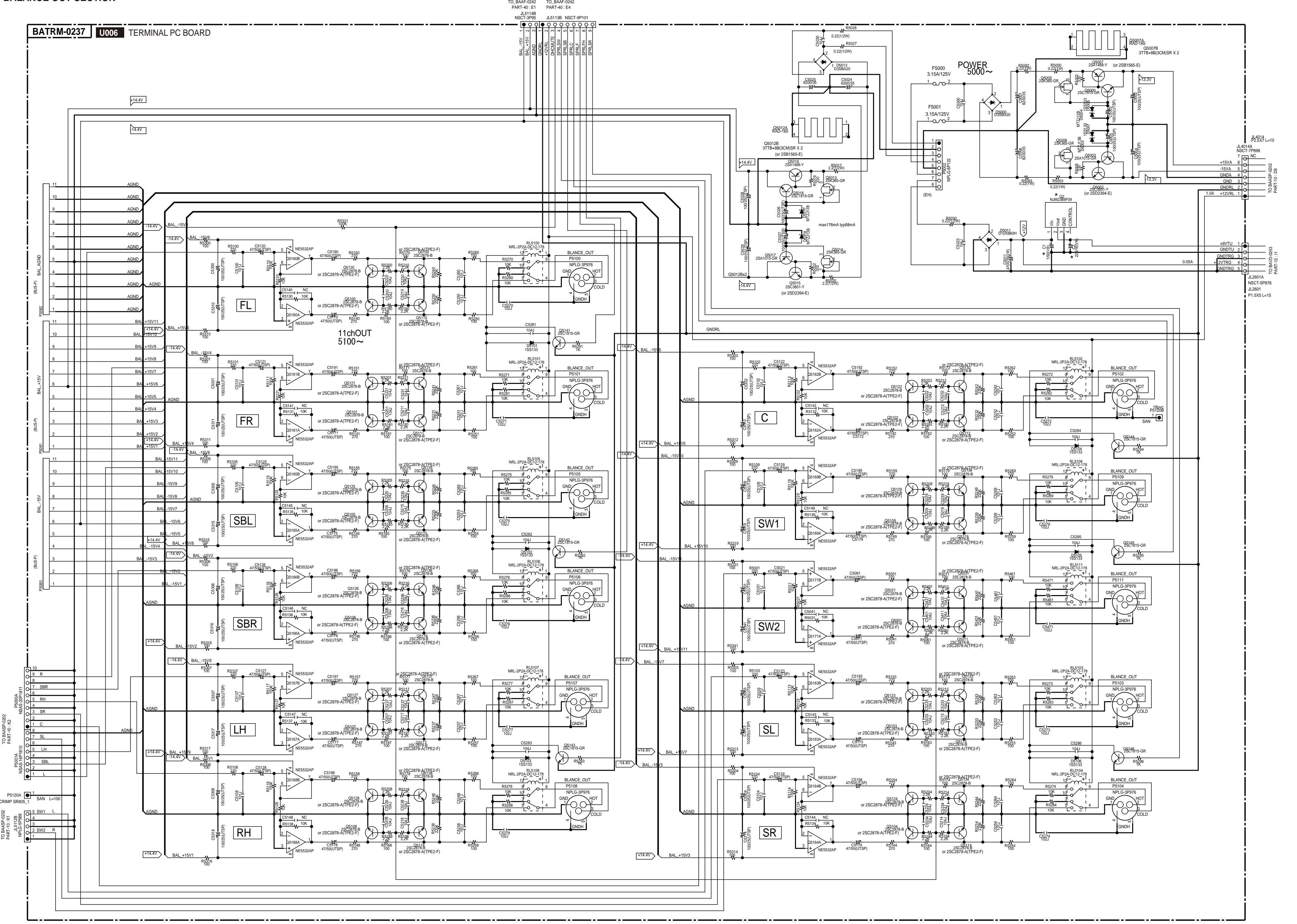
VIDEO MPU  
PART-33

Si9134(TX)  
INPUT  
PART-32

Si9233(RX)  
OUTPUT  
PART-32

VX50  
VX50S  
VX50L  
VX50H  
VX50M  
VX50N  
VX50P  
VX50Q  
VX50R  
VX50S  
VX50T  
VX50U  
VX50V  
VX50W  
VX50X  
VX50Y  
VX50Z  
VX50AA  
VX50AB  
VX50AC  
VX50AD  
VX50AE  
VX50AF  
VX50AG  
VX50AH  
VX50AI  
VX50AJ  
VX50AK  
VX50AL  
VX50AM  
VX50AN  
VX50AO  
VX50AP  
VX50AQ  
VX50AR  
VX50AS  
VX50AT  
VX50AU  
VX50AV  
VX50AW  
VX50AX  
VX50AY  
VX50AZ  
VX50BA  
VX50BB  
VX50BC  
VX50BD  
VX50BE  
VX50BF  
VX50BG  
VX50BH  
VX50BI  
VX50BJ  
VX50BK  
VX50BL  
VX50BM  
VX50BN  
VX50BO  
VX50BP  
VX50BQ  
VX50BR  
VX50BS  
VX50BT  
VX50BU  
VX50BV  
VX50BW  
VX50BX  
VX50BY  
VX50BZ  
VX50CA  
VX50CB  
VX50CC  
VX50CD  
VX50CE  
VX50CF  
VX50CG  
VX50CH  
VX50CI  
VX50CJ  
VX50CK  
VX50CL  
VX50CM  
VX50CN  
VX50CO  
VX50CP  
VX50CQ  
VX50CR  
VX50CS  
VX50CT  
VX50CU  
VX50CV  
VX50CW  
VX50CX  
VX50CY  
VX50CZ  
VX50DA  
VX50DB  
VX50DC  
VX50DD  
VX50DE  
VX50DF  
VX50DG  
VX50DH  
VX50DI  
VX50DJ  
VX50DK  
VX50DL  
VX50DM  
VX50DN  
VX50DO  
VX50DP  
VX50DQ  
VX50DR  
VX50DS  
VX50DT  
VX50DU  
VX50DV  
VX50DW  
VX50DX  
VX50DY  
VX50DZ  
VX50EA  
VX50EB  
VX50EC  
VX50ED  
VX50EE  
VX50EF  
VX50EG  
VX50EH  
VX50EI  
VX50EJ  
VX50EK  
VX50EL  
VX50EM  
VX50EN  
VX50EO  
VX50EP  
VX50EQ  
VX50ER  
VX50ES  
VX50ET  
VX50EU  
VX50EV  
VX50EW  
VX50EX  
VX50EY  
VX50EZ  
VX50FA  
VX50FB  
VX50FC  
VX50FD  
VX50FE  
VX50FF  
VX50FG  
VX50FH  
VX50FI  
VX50FJ  
VX50FK  
VX50FL  
VX50FM  
VX50FN  
VX50FO  
VX50FP  
VX50FQ  
VX50FR  
VX50FS  
VX50FT  
VX50FU  
VX50FV  
VX50FW  
VX50FX  
VX50FY  
VX50FZ  
VX50GA  
VX50GB  
VX50GC  
VX50GD  
VX50GE  
VX50GF  
VX50GG  
VX50GH  
VX50GI  
VX50GJ  
VX50GK  
VX50GL  
VX50GM  
VX50GN  
VX50GO  
VX50GP  
VX50GQ  
VX50GR  
VX50GS  
VX50GT  
VX50GU  
VX50GV  
VX50GW  
VX50GX  
VX50GY  
VX50GZ  
VX50HA  
VX50HB  
VX50HC  
VX50HD  
VX50HE  
VX50HF  
VX50HG  
VX50HH  
VX50HI  
VX50HJ  
VX50HK  
VX50HL  
VX50HM  
VX50HN  
VX50HO  
VX50HP  
VX50HQ  
VX50HR  
VX50HS  
VX50HT  
VX50HU  
VX50HV  
VX50HW  
VX50HX  
VX50HY  
VX50HZ  
VX50IA  
VX50IB  
VX50IC  
VX50ID  
VX50IE  
VX50IF  
VX50IG  
VX50IH  
VX50II  
VX50IJ  
VX50IK  
VX50IL  
VX50IM  
VX50IN  
VX50IO  
VX50IP  
VX50IQ  
VX50IR  
VX50IS  
VX50IT  
VX50IU  
VX50IV  
VX50IW  
VX50IX  
VX50IY  
VX50IZ  
VX50JA  
VX50JB  
VX50JC  
VX50JD  
VX50JE  
VX50JF  
VX50JG  
VX50JH  
VX50JI  
VX50JJ  
VX50JK  
VX50JL  
VX50JM  
VX50JN  
VX50JO  
VX50JP  
VX50JQ  
VX50JR  
VX50JS  
VX50JT  
VX50JU  
VX50JV  
VX50JW  
VX50JX  
VX50JY  
VX50JZ  
VX50KA  
VX50KB  
VX50KC  
VX50KD  
VX50KE  
VX50KF  
VX50KG  
VX50KH  
VX50KI  
VX50KJ  
VX50KK  
VX50KL  
VX50KM  
VX50KN  
VX50KO  
VX50KP  
VX50KQ  
VX50KR  
VX50KS  
VX50KT  
VX50KU  
VX50KV  
VX50KW  
VX50KX  
VX50KY  
VX50KZ  
VX50LA  
VX50LB  
VX50LC  
VX50LD  
VX50LE  
VX50LF  
VX50LG  
VX50LH  
VX50LI  
VX50LJ  
VX50LK  
VX50LL  
VX50LM  
VX50LN  
VX50LO  
VX50LP  
VX50LQ  
VX50LR  
VX50LS  
VX50LT  
VX50LU  
VX50LV  
VX50LW  
VX50LX  
VX50LY  
VX50LZ  
VX50MA  
VX50MB  
VX50MC  
VX50MD  
VX50ME  
VX50MF  
VX50MG  
VX50MH  
VX50MI  
VX50MJ  
VX50MK  
VX50ML  
VX50MM  
VX50MN  
VX50MO  
VX50MP  
VX50MQ  
VX50MR  
VX50MS  
VX50MT  
VX50MU  
VX50MV  
VX50MW  
VX50MX  
VX50MY  
VX50MZ  
VX50NA  
VX50NB  
VX50NC  
VX50ND  
VX50NE  
VX50NF  
VX50NG  
VX50NH  
VX50NI  
VX50NJ  
VX50NK  
VX50NL  
VX50NM  
VX50NN  
VX50NO  
VX50NP  
VX50NQ  
VX50NR  
VX50NS  
VX50NT  
VX50NU  
VX50NV  
VX50NW  
VX50NX  
VX50NY  
VX50NZ  
VX50OA  
VX50OB  
VX50OC  
VX50OD  
VX50OE  
VX50OF  
VX50OG  
VX50OH  
VX50OI  
VX50OJ  
VX50OK  
VX50OL  
VX50OM  
VX50ON  
VX50OO  
VX50OP  
VX50OQ  
VX50OR  
VX50OS  
VX50OT  
VX50OU  
VX50OV  
VX50OW  
VX50OX  
VX50OY  
VX50OZ  
VX50PA  
VX50PB  
VX50PC  
VX50PD  
VX50PE  
VX50PF  
VX50PG  
VX50PH  
VX50PI  
VX50PJ  
VX50PK  
VX50PL  
VX50PM  
VX50PN  
VX50PO  
VX50PP  
VX50PQ  
VX50PR  
VX50PS  
VX50PT  
VX50PU  
VX50PV  
VX50PW  
VX50PX  
VX50PY  
VX50PZ  
VX50QA  
VX50QB  
VX50QC  
VX50QD  
VX50QE  
VX50QF  
VX50QG  
VX50QH  
VX50QI  
VX50QJ  
VX50QK  
VX50QL  
VX50QM  
VX50QN  
VX50QO  
VX50QP  
VX50QQ  
VX50QR  
VX50QS  
VX50QT  
VX50QU  
VX50QV  
VX50QW  
VX50QX  
VX50QY  
VX50QZ  
VX50RA  
VX50RB  
VX50RC  
VX50RD  
VX50RE  
VX50RF  
VX50RG  
VX50RH  
VX50RI  
VX50RJ  
VX50RK  
VX50RL  
VX50RM  
VX50RN  
VX50RO  
VX50RP  
VX50RQ  
VX50RR  
VX50RS  
VX50RT  
VX50RU  
VX50RV  
VX50RW  
VX50RX  
VX50RY  
VX50RZ  
VX50SA  
VX50SB  
VX50SC  
VX50SD  
VX50SE  
VX50SF  
VX50SG  
VX50SH  
VX50SI  
VX50SJ  
VX50SK  
VX50SL  
VX50SM  
VX50SN  
VX50SO  
VX50SP  
VX50SQ  
VX50SR  
VX50SS  
VX50ST  
VX50SU  
VX50SV  
VX50SW  
VX50SX  
VX50SY  
VX50SZ  
VX50TA  
VX50TB  
VX50TC  
VX50TD  
VX50TE  
VX50TF  
VX50TG  
VX50TH  
VX50TI  
VX50TJ  
VX50TK  
VX50TL  
VX50TM  
VX50TN  
VX50TO  
VX50TP  
VX50TQ  
VX50TR  
VX50TS  
VX50TT  
VX50TU  
VX50TV  
VX50TW  
VX50TX  
VX50TY  
VX50TZ  
VX50UA  
VX50UB  
VX50UC  
VX50UD  
VX50UE  
VX50UF  
VX50UG  
VX50UH  
VX50UI  
VX50UJ  
VX50UK  
VX50UL  
VX50UM  
VX50UN  
VX50UO  
VX50UP  
VX50UQ  
VX50UR  
VX50US  
VX50UT  
VX50UU  
VX50UV  
VX50UW  
VX50UX  
VX50UY  
VX50UZ  
VX50VA  
VX50VB  
VX50VC  
VX50VD  
VX50VE  
VX50VF  
VX50VG  
VX50VH  
VX50VI  
VX50VJ  
VX50VK  
VX50VL  
VX50VM  
VX50VN  
VX50VO  
VX50VP  
VX50VQ  
VX50VR  
VX50VS  
VX50VT  
VX50VU  
VX50VV  
VX50VW  
VX50VX  
VX50VY  
VX50VZ  
VX50WA  
VX50WB  
VX50WC  
VX50WD  
VX50WE  
VX50WF  
VX50WG  
VX50WH  
VX50WI  
VX50WJ  
VX50WK  
VX50WL  
VX50WM  
VX50WN  
VX50WO  
VX50WP  
VX50WQ  
VX50WR  
VX50WS  
VX50WT  
VX50WU  
VX50WV  
VX50WW  
VX50WX  
VX50WY  
VX50WZ  
VX50XA  
VX50XB  
VX50XC  
VX50XD  
VX50XE  
VX50XF  
VX50XG  
VX50XH  
VX50XI  
VX50XJ  
VX50XK  
VX50XL  
VX50XM  
VX50XN  
VX50XO  
VX50XP  
VX50XQ  
VX50XR  
VX50XS  
VX50XT  
VX50XU  
VX50XV  
VX50XW  
VX50XX  
VX50XY  
VX50XZ  
VX50YA  
VX50YB  
VX50YC  
VX50YD  
VX50YE  
VX50YF  
VX50YG  
VX50YH  
VX50YI  
VX50YJ  
VX50YK  
VX50YL  
VX50YM  
VX50YN  
VX50YO  
VX50YP  
VX50YQ  
VX50YR  
VX50YS  
VX50YT  
VX50YU  
VX50YV  
VX50YW  
VX50YX  
VX50YY  
VX50YZ  
VX50ZA  
VX50ZB  
VX50ZC  
VX50ZD  
VX50ZE  
VX50ZF  
VX50ZG  
VX50ZH  
VX50ZI  
VX50ZJ  
VX50ZK  
VX50ZL  
VX50ZM  
VX50ZN  
VX50ZO  
VX50ZP  
VX50ZQ  
VX50ZR  
VX50ZS  
VX50ZT  
VX50ZU  
VX50ZV  
VX50ZW  
VX50ZX  
VX50ZY  
VX50ZZ

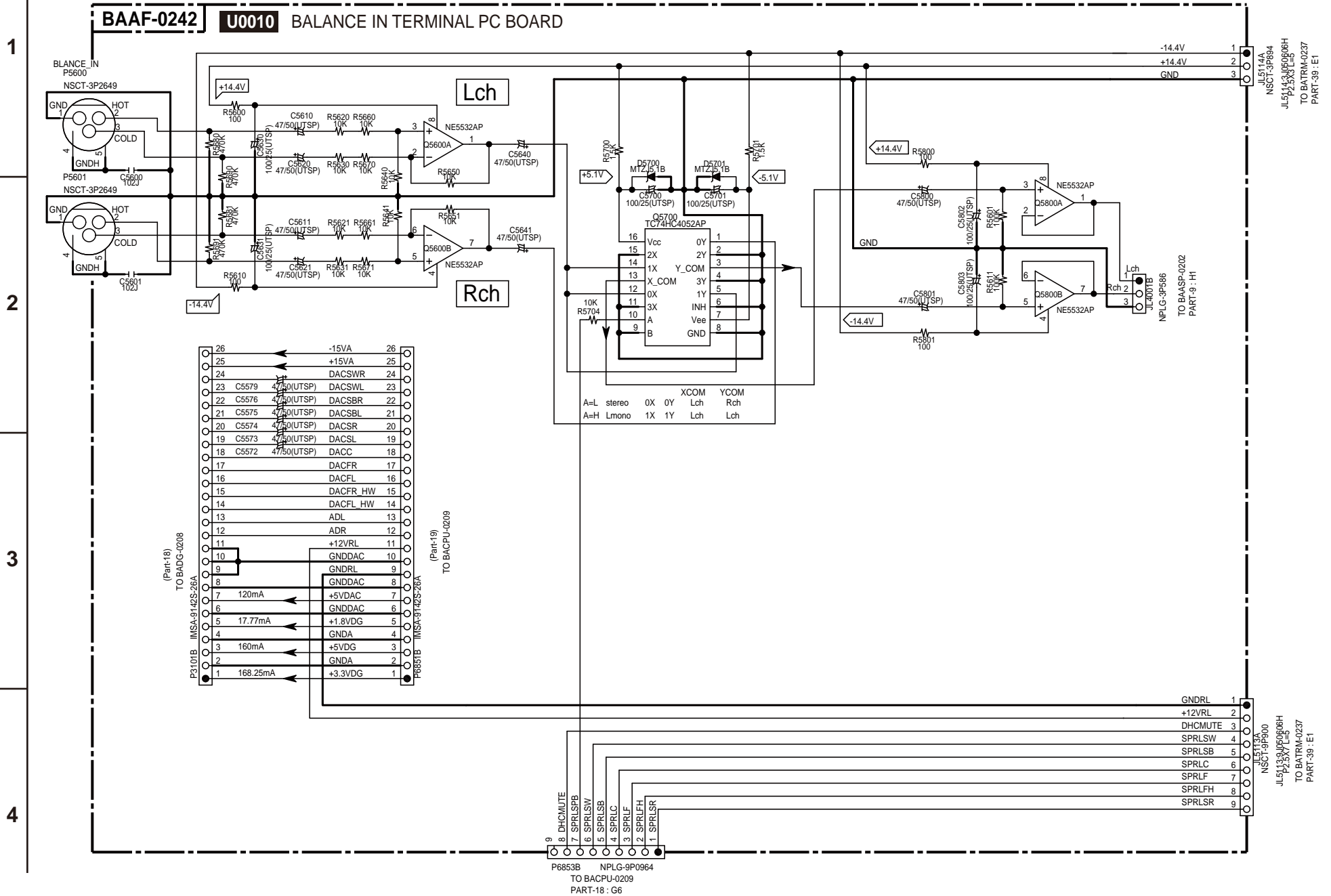
SCHEMATIC DIAGRAMS-34 / PART-39  
BALANCE OUT SECTION



A                          B                          C                          D                          E

## SCHEMATIC DIAGRAMS-35 / PART-40

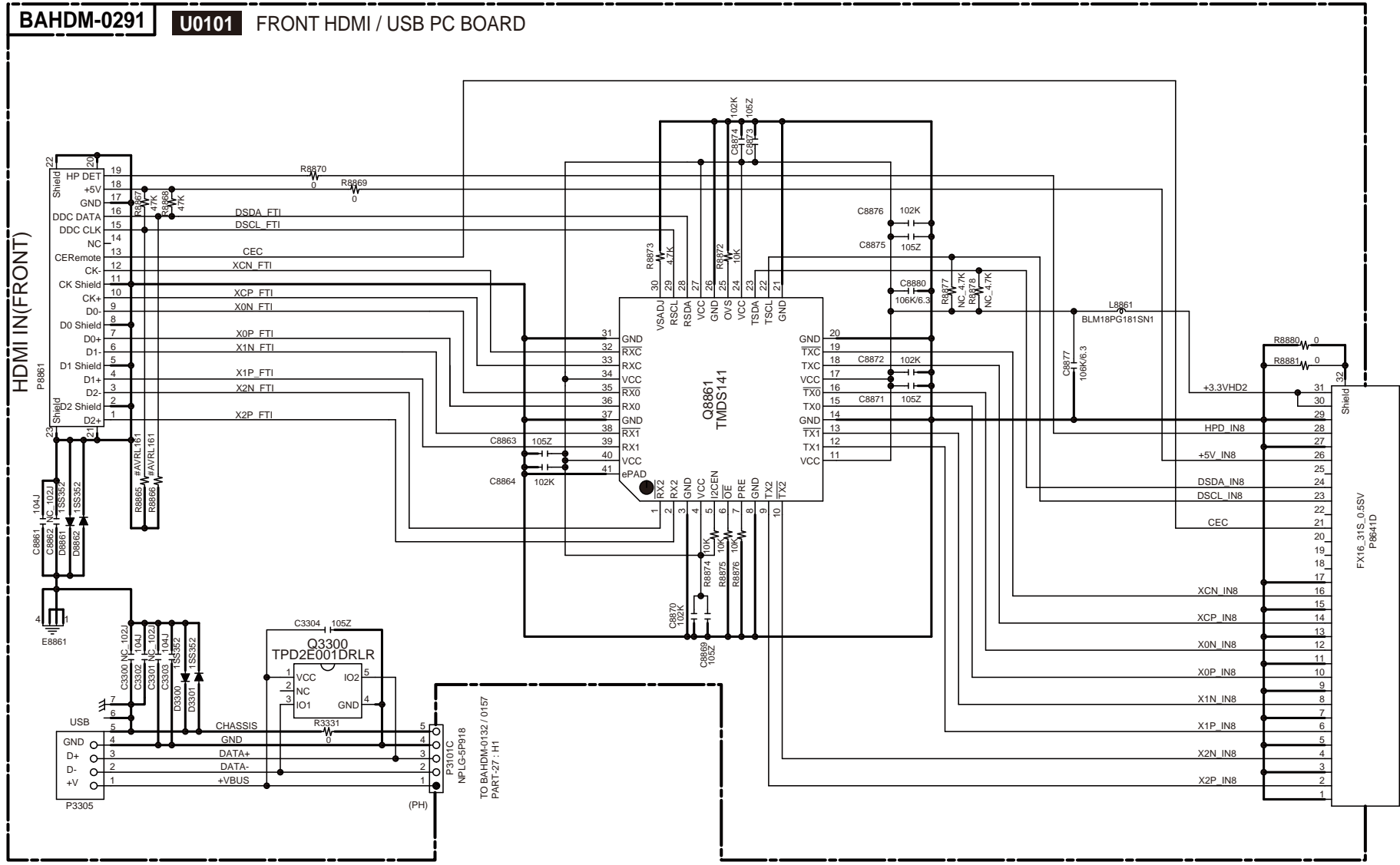
### BALANCE IN SECTION



**SCHEMATIC DIAGRAMS-36 / PART-41**  
**FRONT HDMI / USB SECTION**

**BAHDM-0291 U0101 FRONT HDMI / USB PC BOARD**

1  
2  
3  
4



TO BAHDM-0132/0157  
 PART-32 : A6-7



**SCHEMATIC DIAGRAM-37 (PART-42)**  
**WAVEFORM SECTION**

1

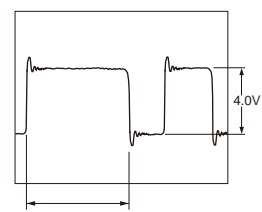
**Digital Audio Waveform Part**

NOTE:  
1. (WF01) is short for (Waveform01)  
2. Refer to SD-7(SCHEMATIC DIAGRAM-9) for the location of each waveform on circuit.  
3. SD-x:XY is short for Schematic Diagram-x and each socket's location, X=A to H, Y=1 to 5.

LR CLOCK (SAI\_LRCK, CX\_LRCK)  
Fs=48kHz : DVD, Clock width=20.8us  
Fs=44.1kHz : CD, Clock width=22.7us

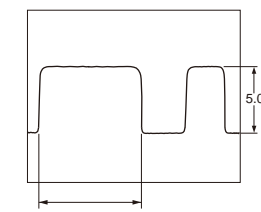
BIT CLOCK (SAI\_SLCK, CX\_SLCK)  
64Fs=3072kHz : DVD, Clock width=325ns  
64Fs=2822.4kHz : CD, Clock width=354ns

(WF01) OPT1 (SD-11:C3)



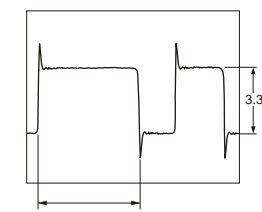
Duty varies according to audio data

(WF02) COAX1 (SD-11:D3)



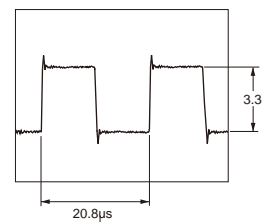
Duty always varies according to audio data

(WF03) SAI\_SDOUT/DIR\_SDOUT (SD-12:G8)



Duty varies according to audio data

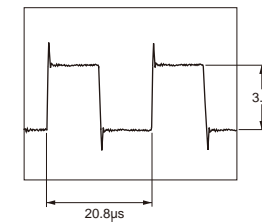
(WF04) SAI\_LRCK/DIR\_LRCK (SD-12:F8)



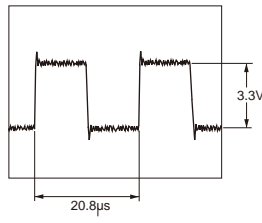
(WF05) SAI\_SLCK/DIR\_BCK (SD-12:F8)



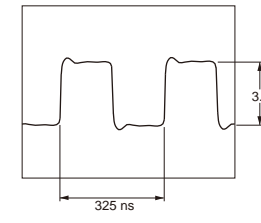
(WF06) DATA3\_PLD (SD-12:I7)



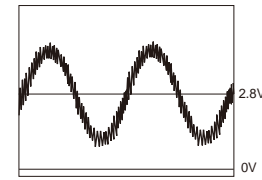
(WF07) DATA4\_PLD (SD-12:I7)



(WF08) BCK\_GND\_PLD (SD-12:I7)

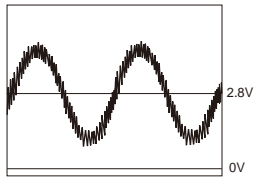


(WF09) FL+ (SD-12:B2)



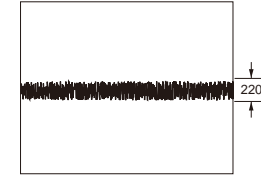
Analog audio waveform with aliasing noise

(WF10) DACFL (SD-12:F2)



Analog audio waveform with aliasing noise

(WF10) DACFL (SD-12:F2)



Aliasing noise in no audio data

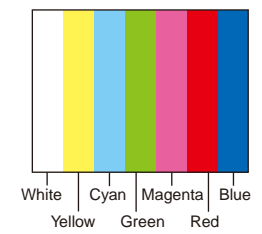
2

3

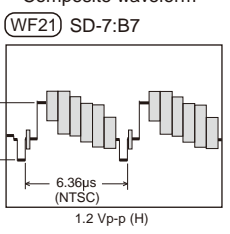
4

5

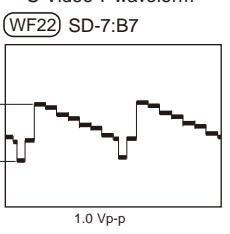
**Video source color and pattern**



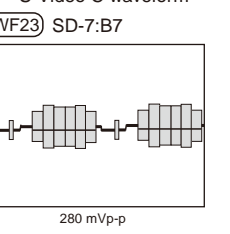
**Composite waveform**



**S-Video Y waveform**

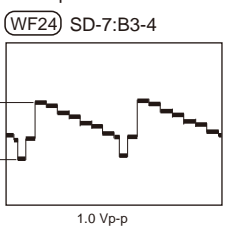


**S-Video C waveform**

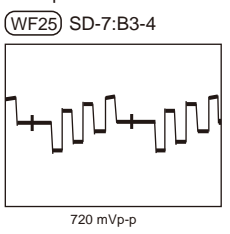


NOTE:  
1. (WF21) is short for (Waveform21)  
2. Refer to SD-5(SCHEMATIC DIAGRAM-6) for the location of each waveform on circuit.  
3. SD-x:XY is short for Schematic Diagram-x and each socket's location, X=A to H, Y=1 to 5.  
4. In the case that video outputs are not connected to video devices, video signal output levels are doubled.

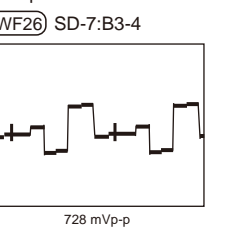
**Component Y waveform**



**Component PB waveform**

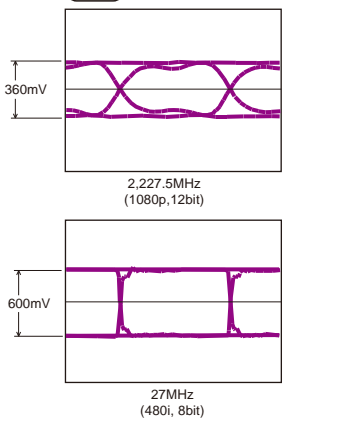


**Component PR waveform**



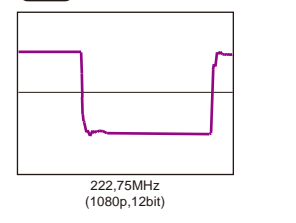
**HDMI Waveform Part**

**HDMI D0,D1,D2 waveform**



D0,D1,D2 Eye-pattern waveform, frequency and level vary according to video resolution, aspect and profile. Waveforms above are examples.

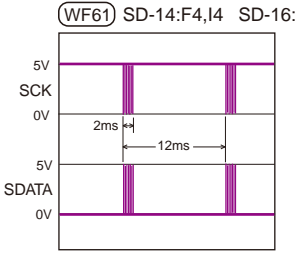
**HDMI CK waveform**



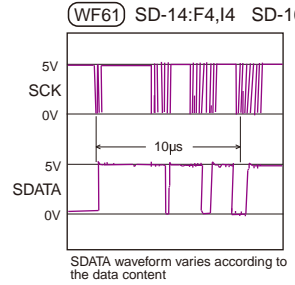
CK waveform, frequency and level differ according to video resolution, aspect and profile. D0,D1,D2 are just CK x10.

**FL Driver IC Control Waveform Part**

**SCK/SDATA waveform**

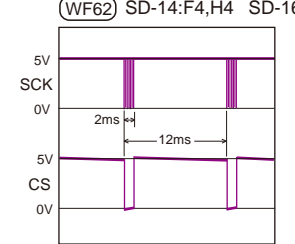


**SCK/SDATA waveform**

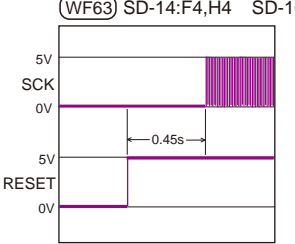


SDATA waveform varies according to the data content

**SCK/CS waveform**

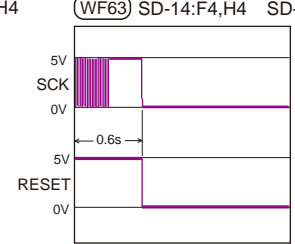


**SCK/RESET waveform**



When power on

**SCK/RESET waveform**



When power off

A B C D E F G H

PRINTED CIRCUIT BOARD VIEWS-1 / U001

U001 BALANCE OUTPUT CIRCUIT PC BOARD (BATRM-0237)

Soldering side view from component side

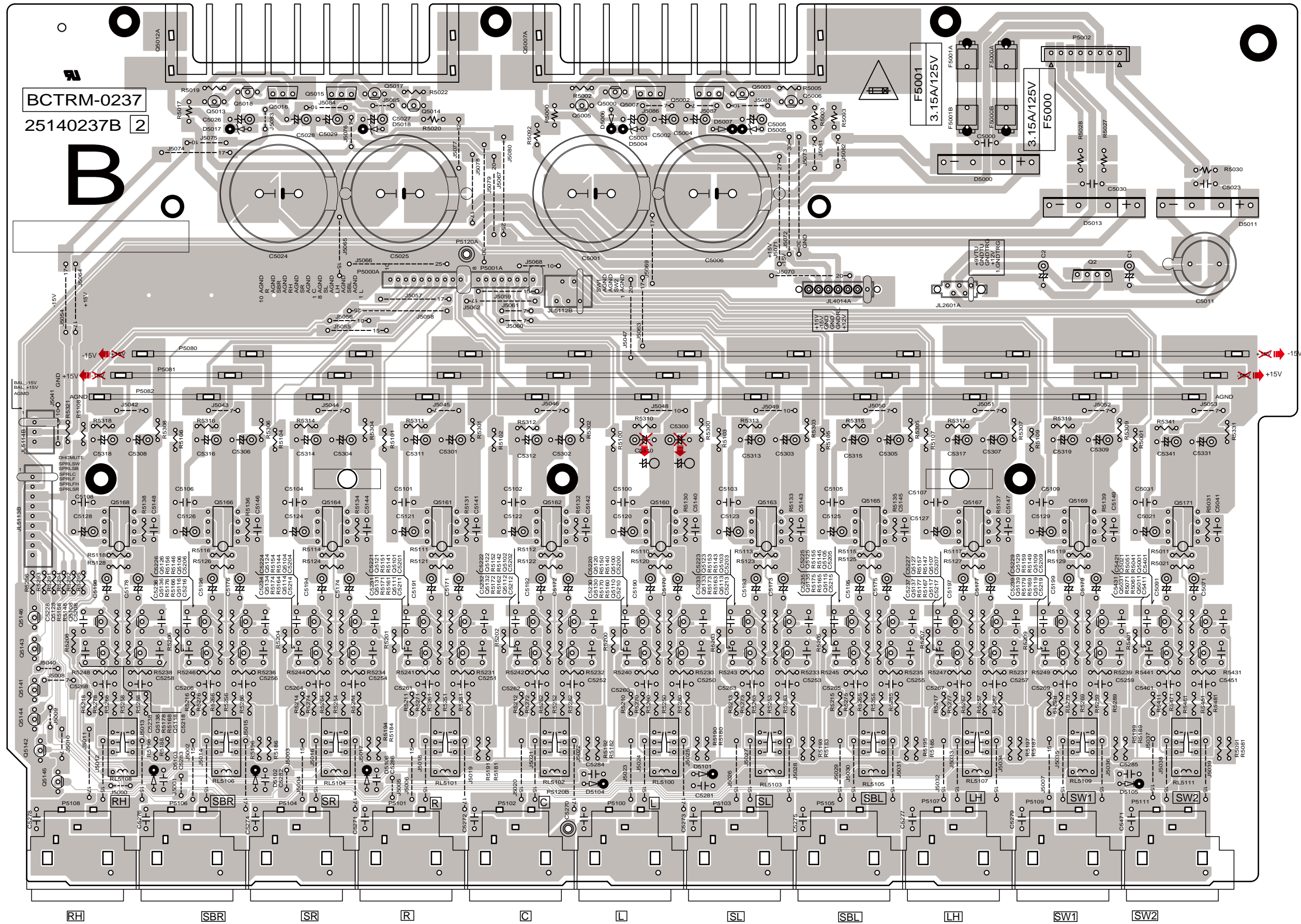
1

2

3

4

5

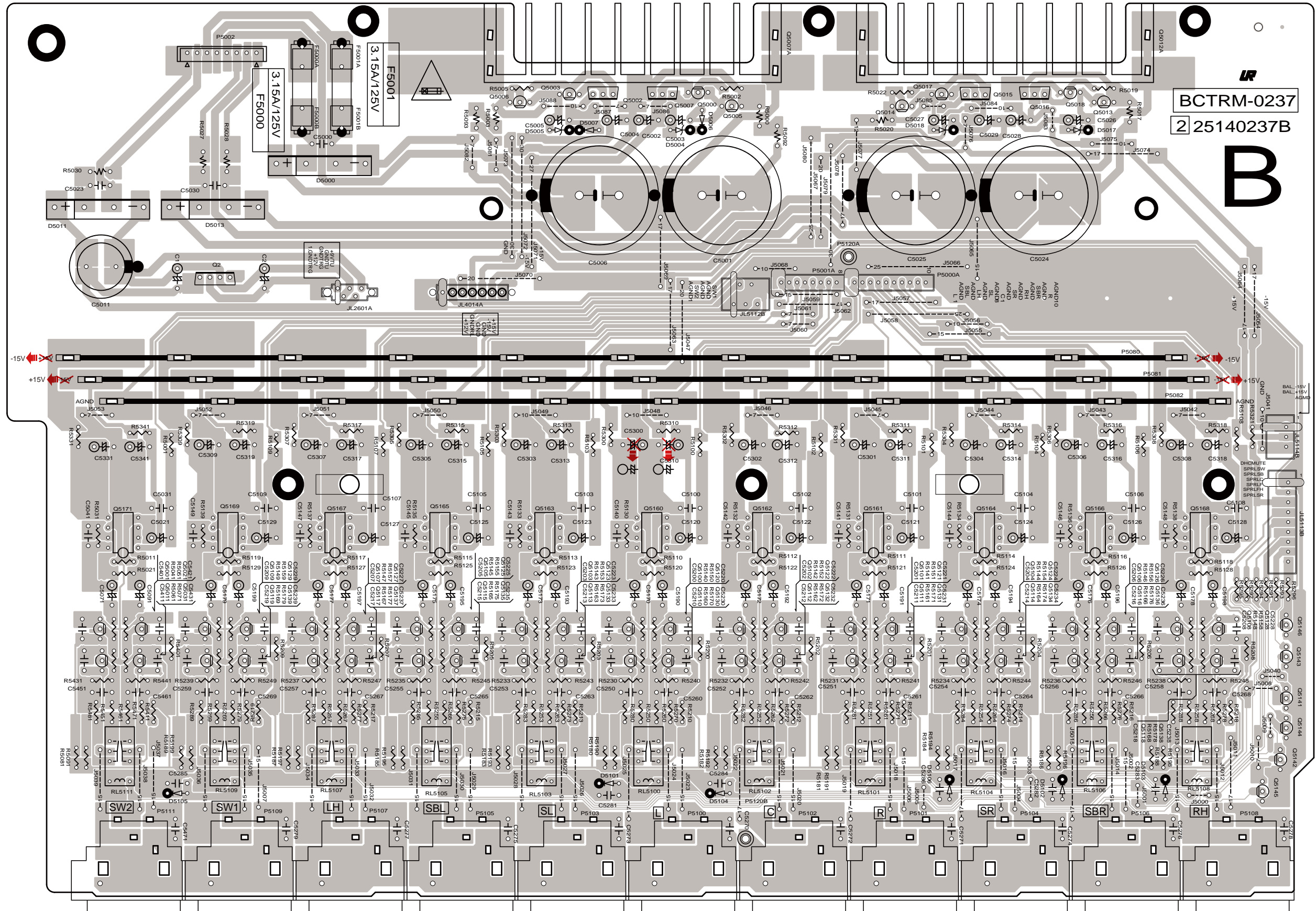


RH SBR SR R C L SL SBL LH SW1 SW2

PRINTED CIRCUIT BOARD VIEWS-2 / U006

**U001** BALANCE OUTPUT CIRCUIT PC BOARD (BATRM-0237)  
Component side view from soldering side

1  
2  
3  
4  
5



BCTRM-0237  
2 25140237B

B

SW2

SW1

LH

SBL

SL

SR

SBR

RH

PRINTED CIRCUIT BOARD VIEWS-04 / U003

**U0030** ANALOG AUDIO IN/OUT CIRCUIT PC BOARD (BAASP-0202)

1

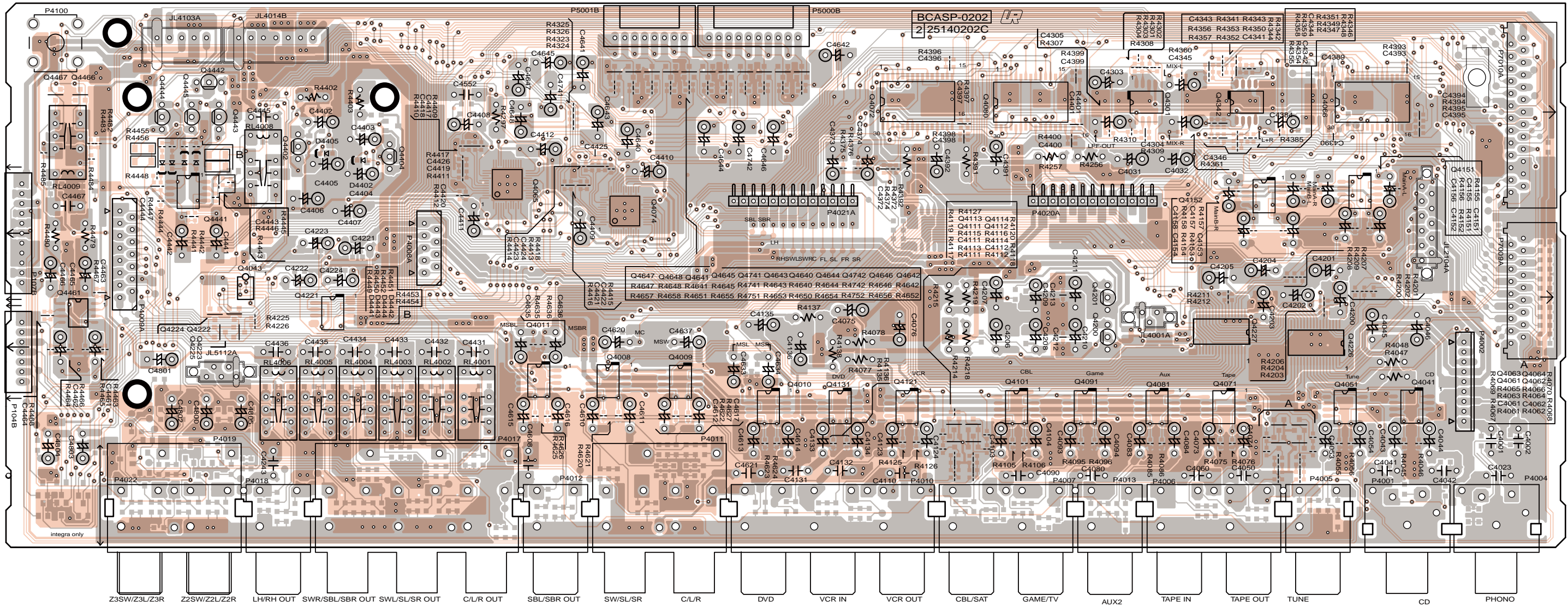
Component side view from soldering side

2

3

4

5



Z3SW/Z3L/Z3R Z2SW/Z2L/Z2R LH/RH OUT SWR/SBL/SBR OUT SWL/SL/SR OUT C/L/R OUT SBL/SBR OUT SW/SL/SR C/L/R DVD VCR IN VCR OUT CBL/SAT GAME/TV AUX2 TAPE IN TAPE OUT TUNE CD PHONO

**U0030** ANALOG AUDIO IN/OUT CIRCUIT PC BOARD (BAASP-0202)

1

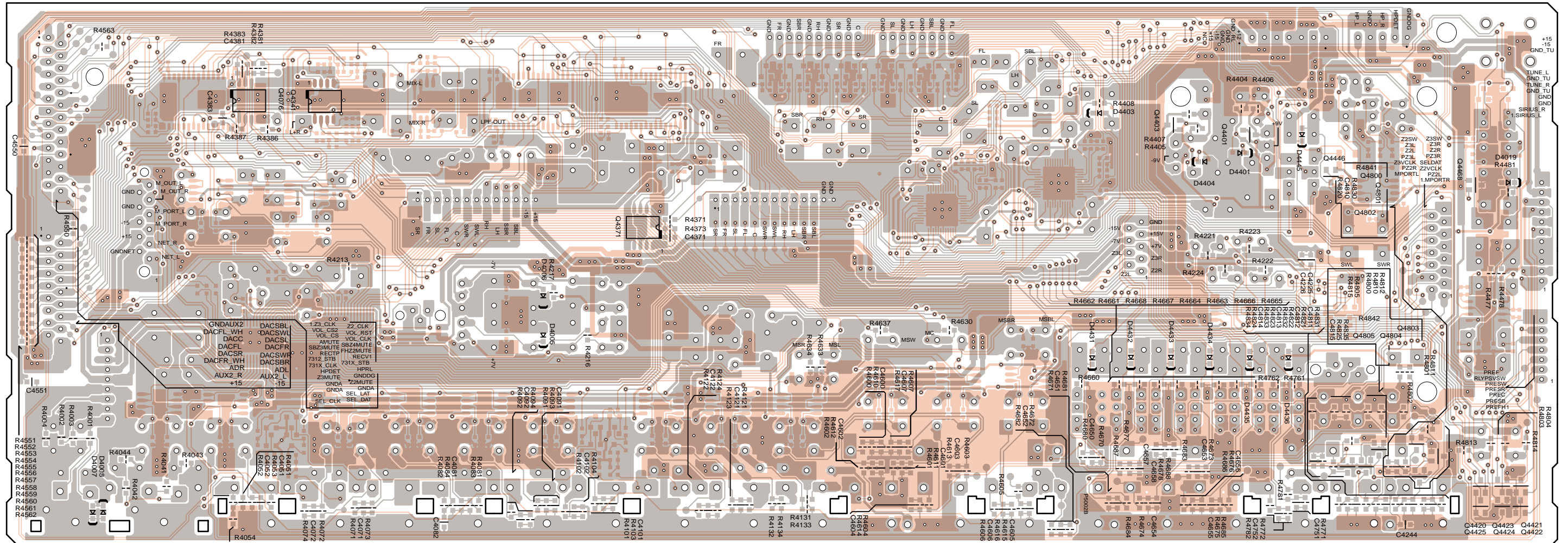
Soldering side view from component side

2

3

4

5



A B C D E F G H

**PRINTED CIRCUIT BOARD VIEWS-06 / U003**

**U0031 ANALOG VIDEO IN/OUT CIRCUIT PC BOARD (BAVD-0203)**

Component side view from soldering side

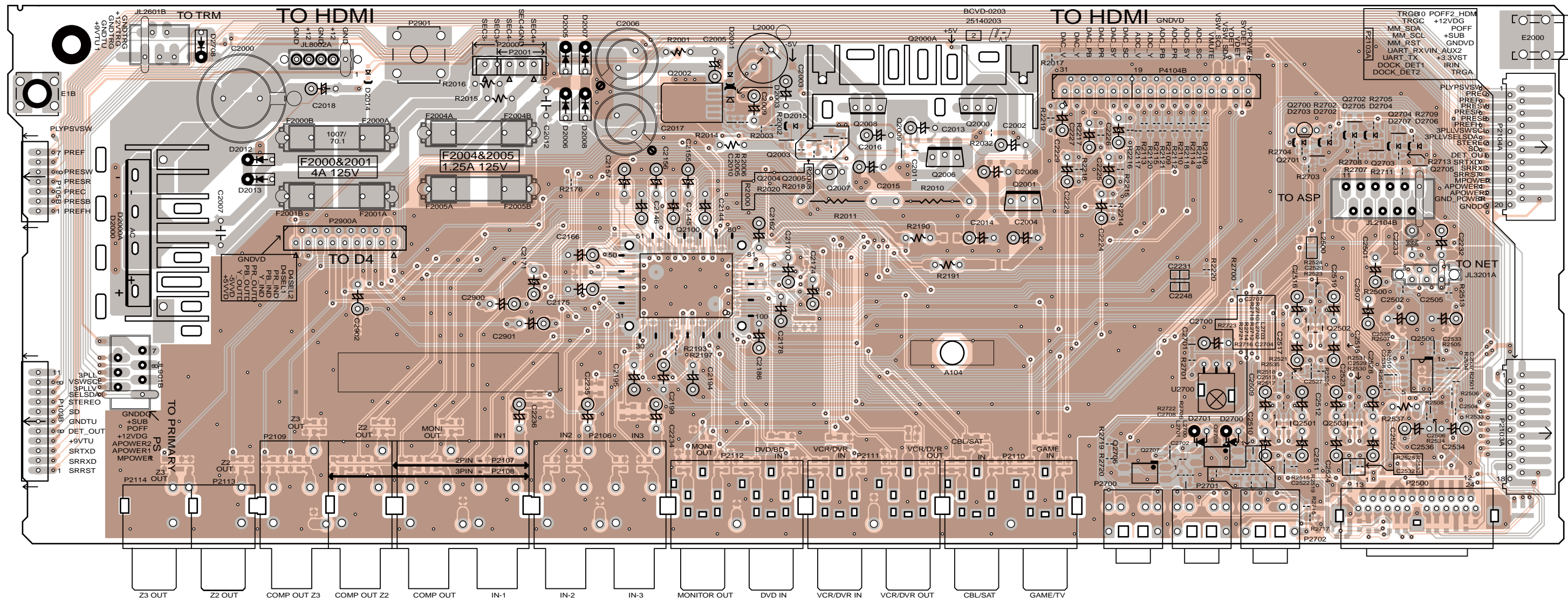
1

2

3

4

5



Z3 OUT Z2 OUT COMP OUT Z3 COMP OUT Z2 COMP OUT IN-1 IN-2 IN-3 MONITOR OUT DVD IN VCR/DVR IN VCR/DVR OUT CBL/SAT GAME/TV

A B C D E F G H  
**PRINTED CIRCUIT BOARD VIEWS-07 / U003**

**U0031 ANALOG VIDEO IN/OUT CIRCUIT PC BOARD (BAVD-0203)**

Soldering side view from component side

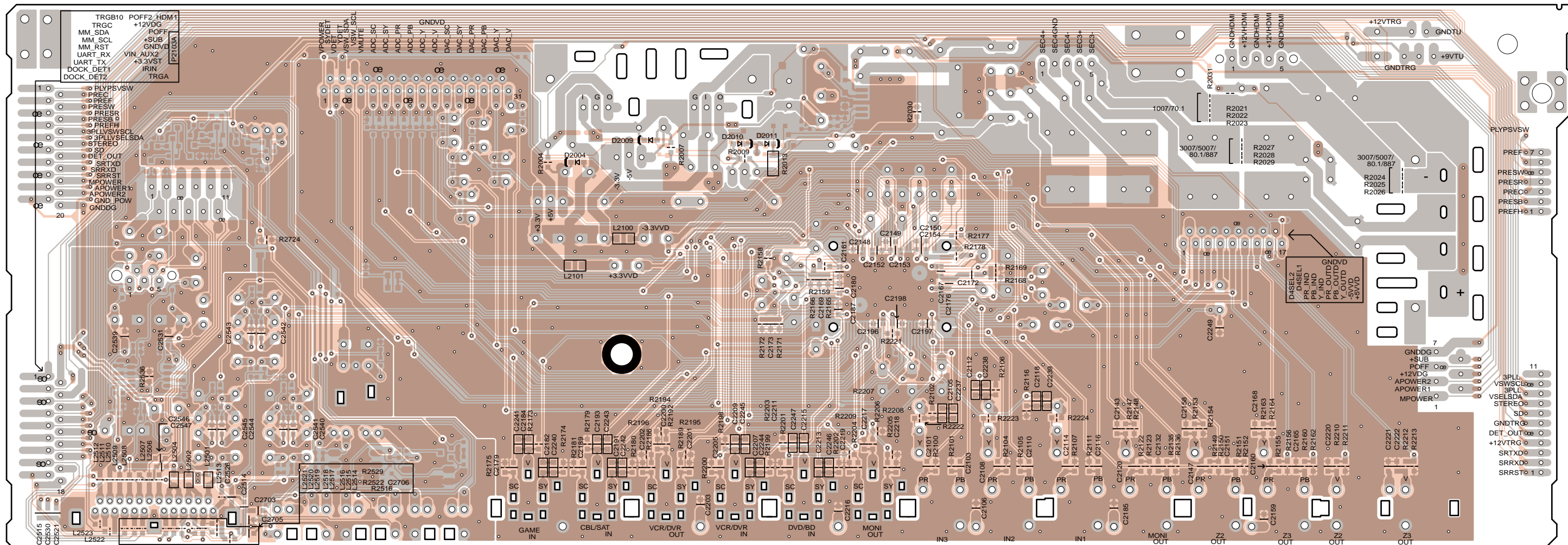
1

2

3

4

5



**U0040** CODEC, DAC, VLSC CIRCUIT PC BOARD (BADG-0208)

1

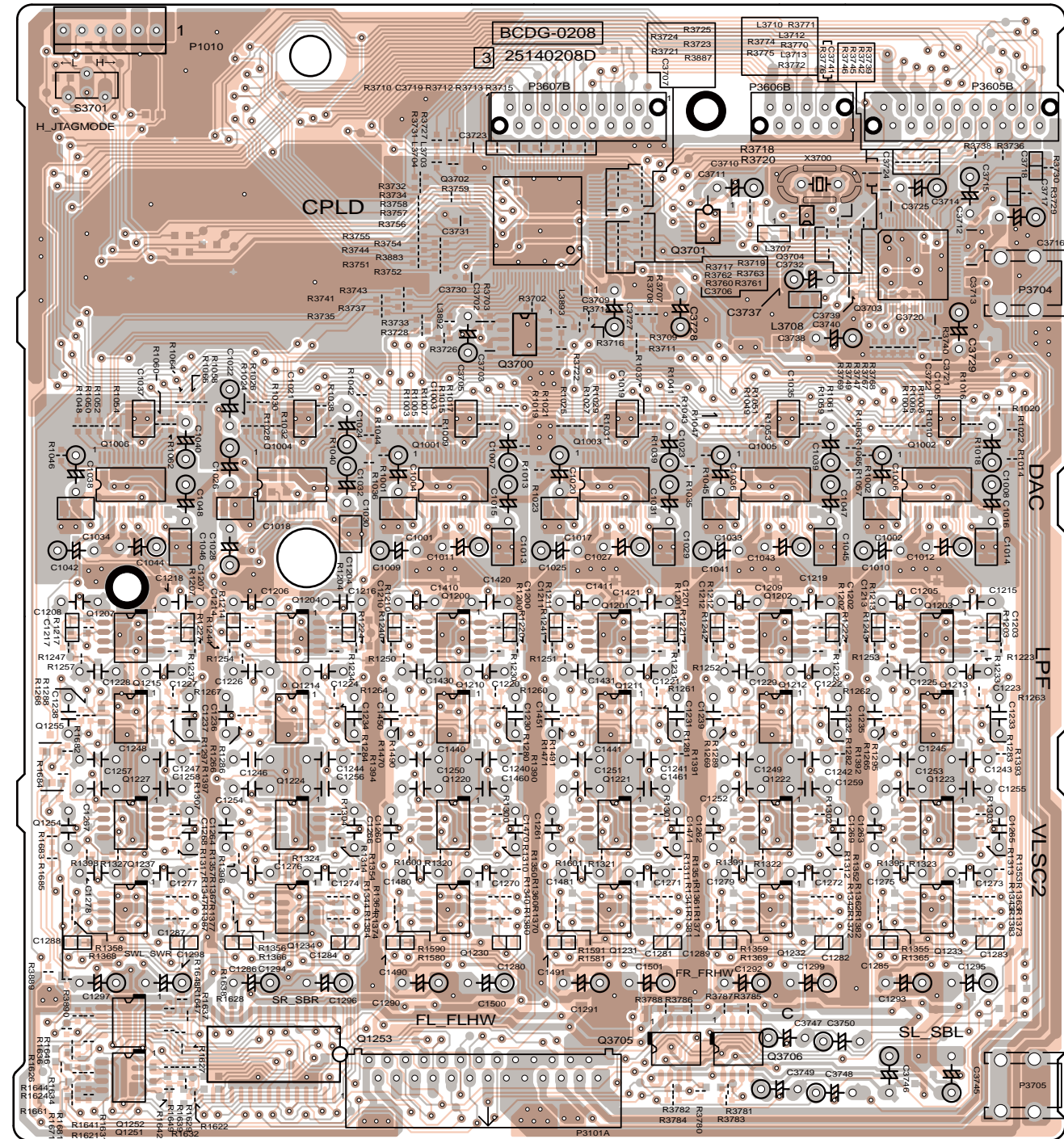
Component side view from soldering side

2

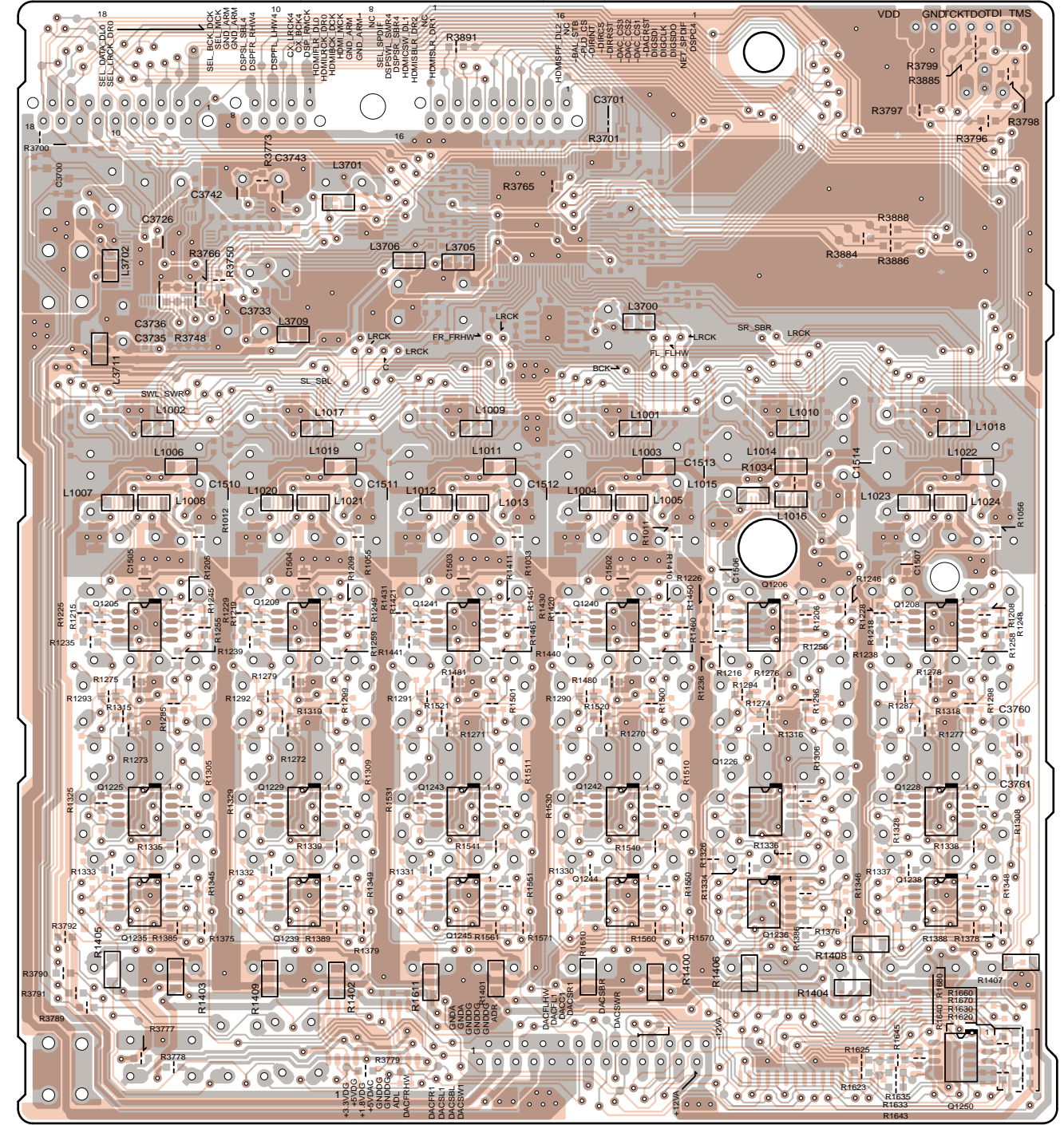
3

4

5



Soldering side view from component side

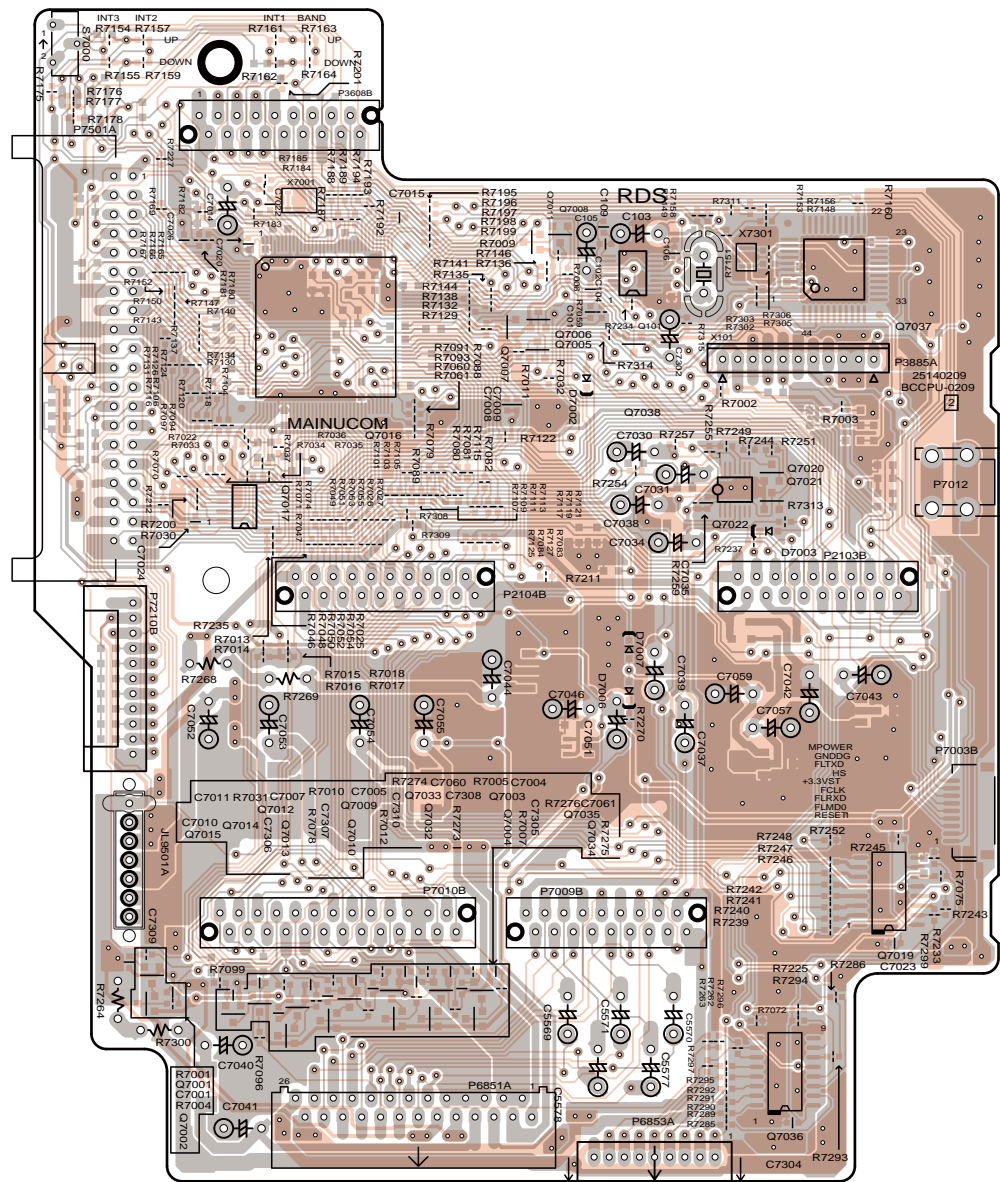




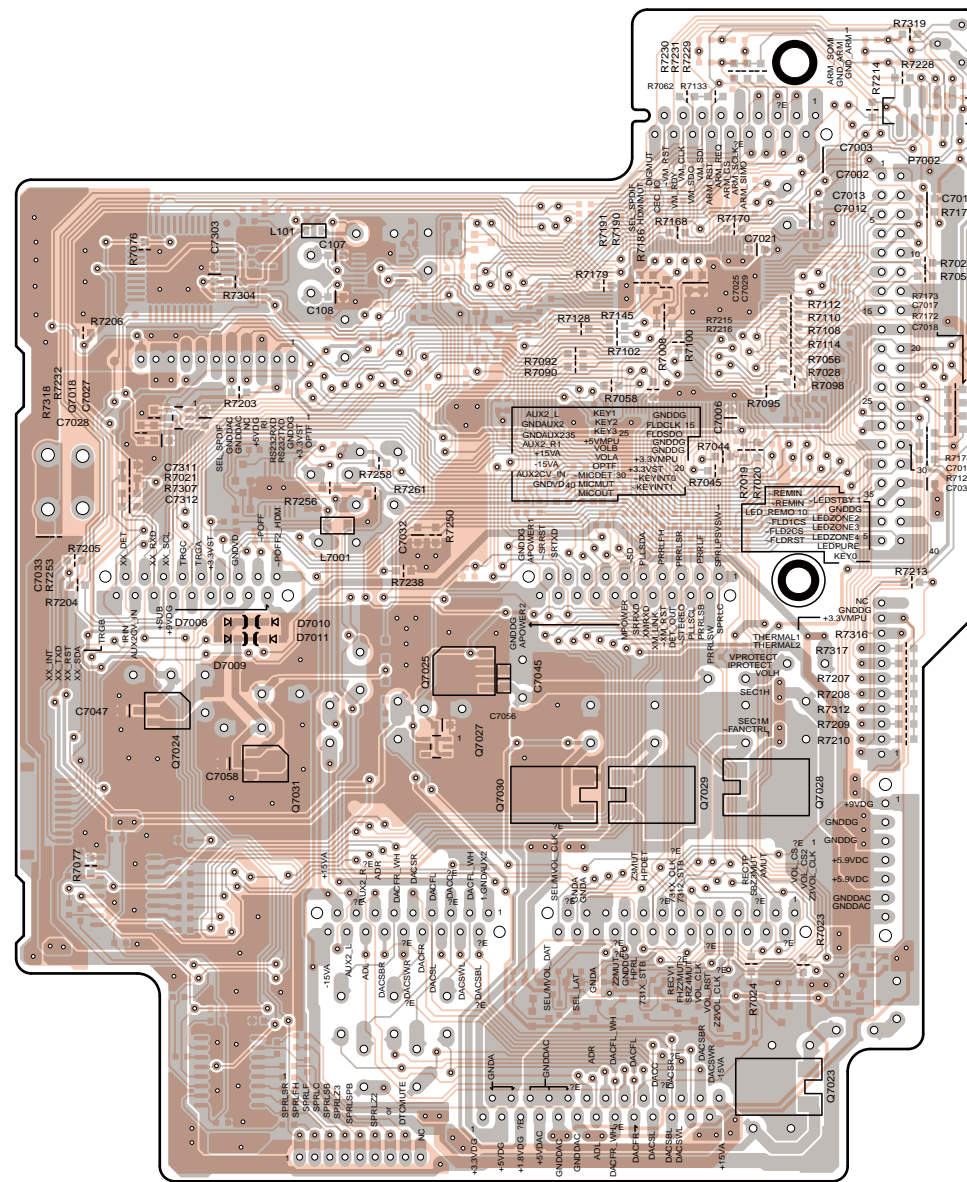
PRINTED CIRCUIT BOARD VIEWS-09 / U004

**U0041 MAIN CPU CIRCUIT PC BOARD (BACPU-0209)**

Component side view from soldering side

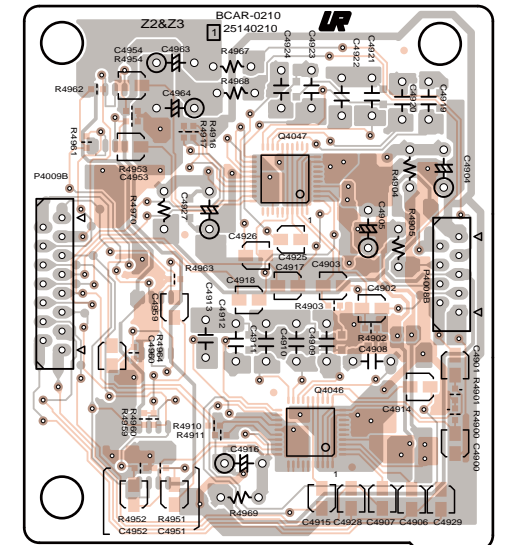


Soldering side view from component side

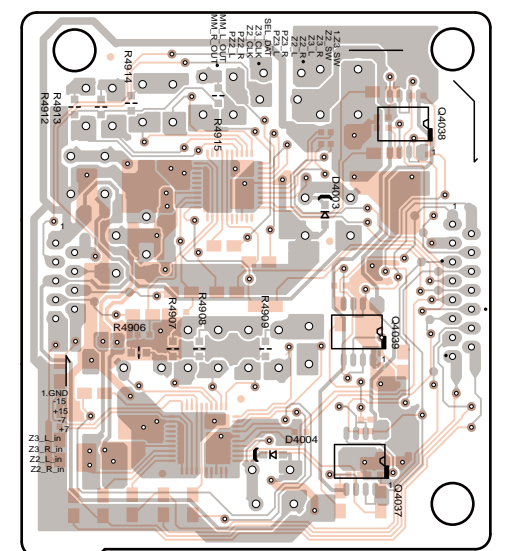


**U0042 ZONE2/3 CIRCUIT PC BOARD (BAAR-0210)**

Component side view from soldering side

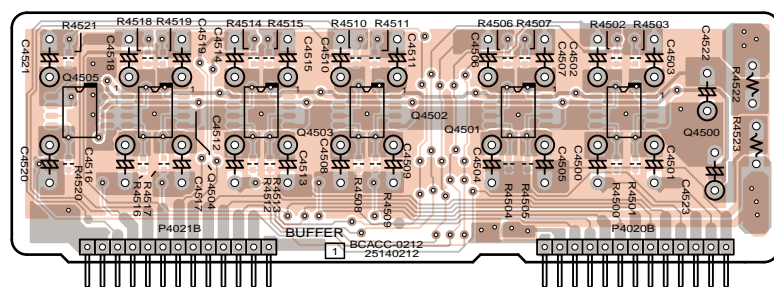


Soldering side view from component side

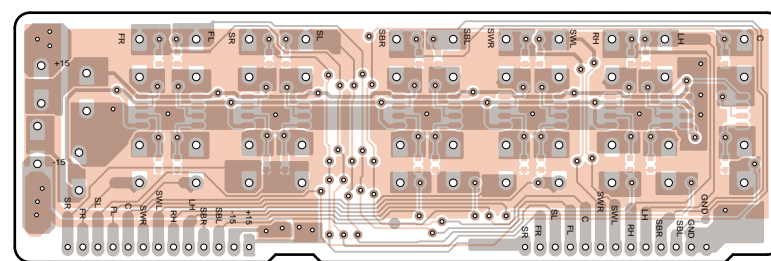


**U0044 BUFFER AMP. CIRCUIT PC BOARD (BAACC-0212)**

Component side view from soldering side



Soldering side view from component side



1

2

3

4

5

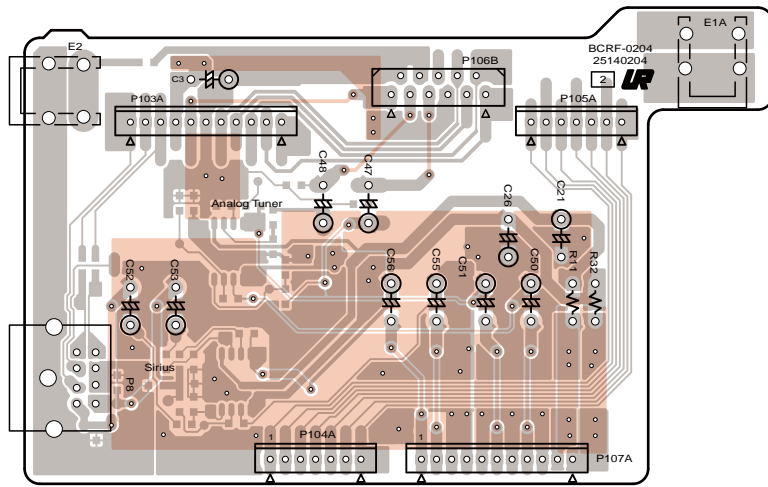
A B C D E F G H

PRINTED CIRCUIT BOARD VIEWS-09 / U004

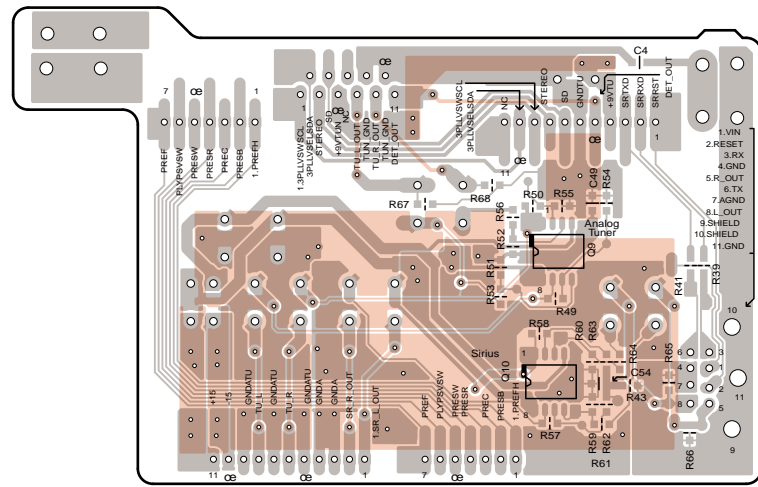
**U0045 SIRIUS, ANALOG TUNER CIRCUIT PC BOARD (BARF-0204)**

1

Component side view from soldering side



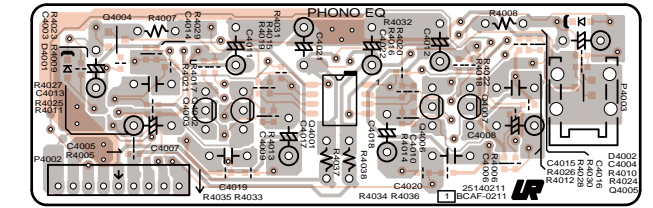
Soldering side view from component side



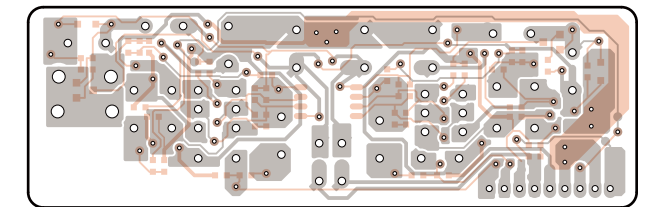
**U0043 PHONO AMP. CIRCUIT PC BOARD (BAAF-0211)**

2

Component side view from soldering side



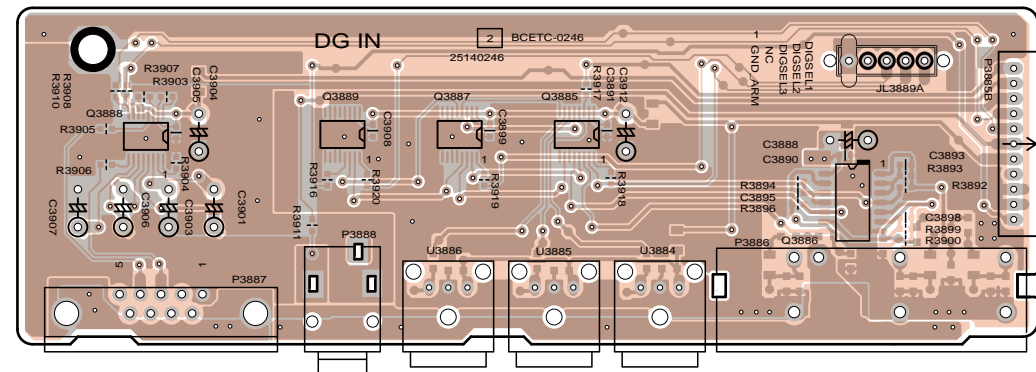
Soldering side view from component side



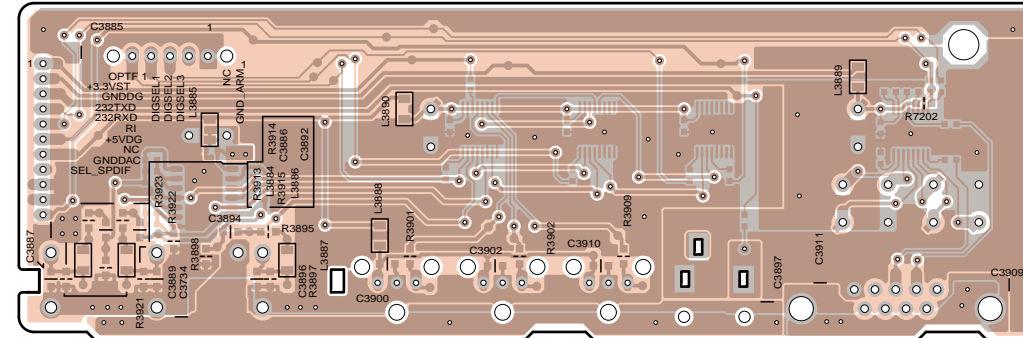
**U0046 DIGITAL AUDIO IN CIRCUIT PC BOARD (BAETC-0246)**

3

Component side view from soldering side

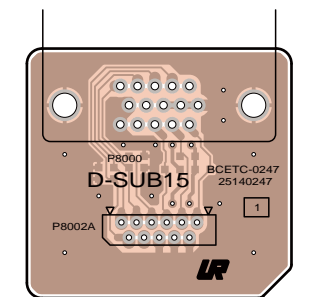


Soldering side view from component side



**U0047 D-SUB15 TERMINAL CIRCUIT PC BOARD (BAAF-0211)**

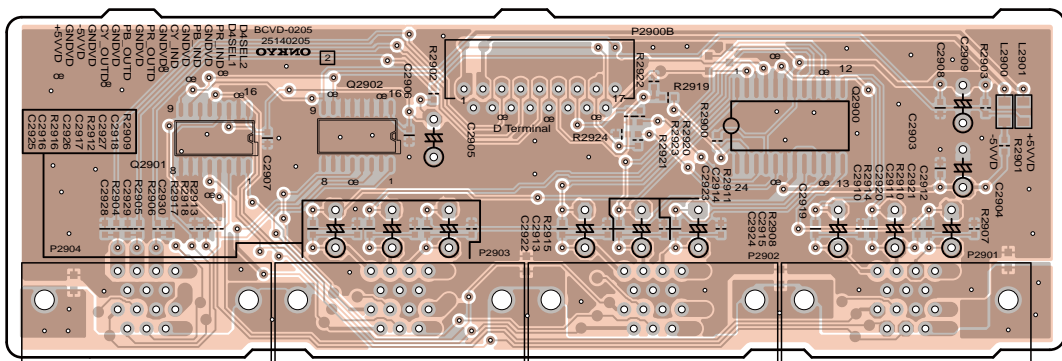
4



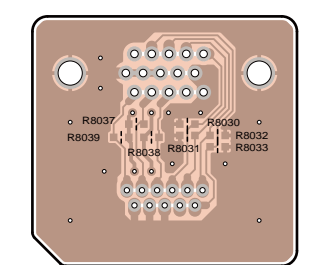
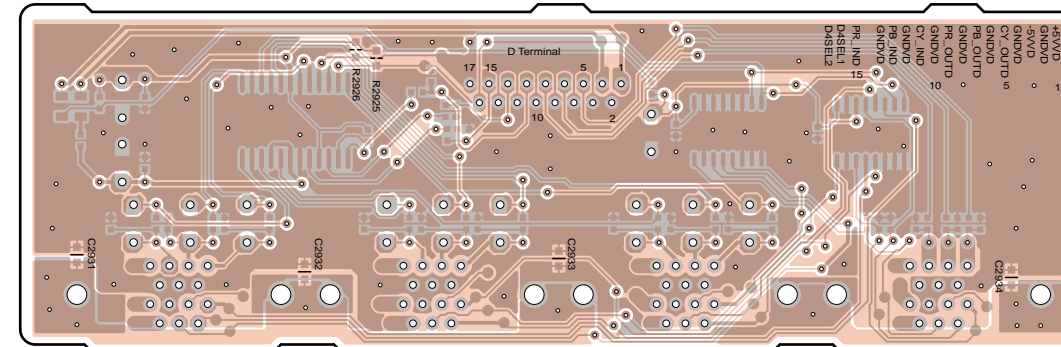
**U0048 D4 VIDEO CIRCUIT PC BOARD (BARF-0204)**

5

Component side view from soldering side



Soldering side view from component side

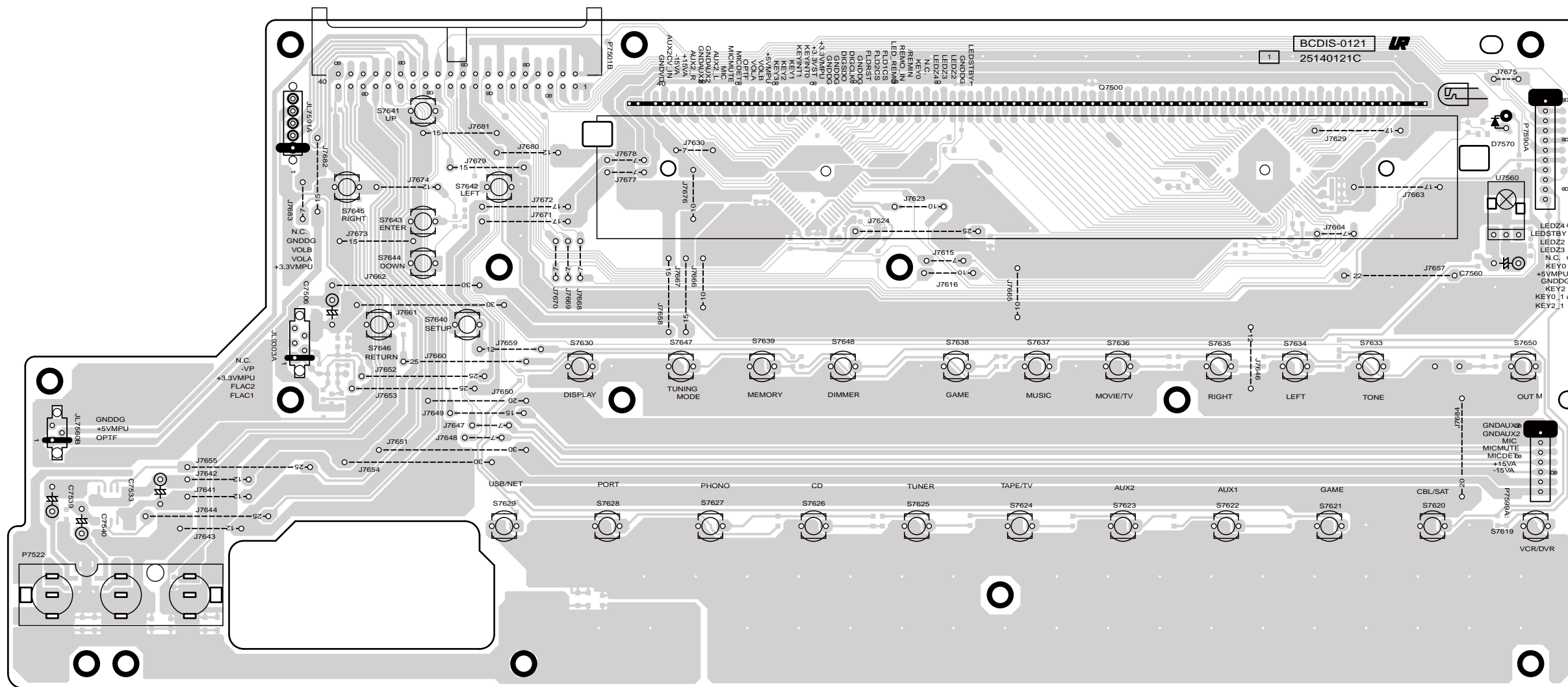


A B C D E F G H

**PRINTED CIRCUIT BOARD VIEWS-11 / U005**

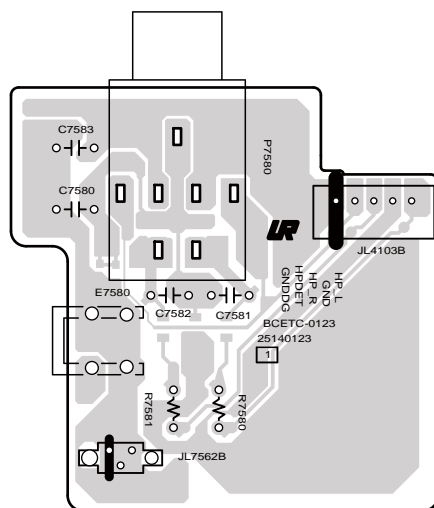
**U0040 DISPLAY CIRCUIT PC BOARD (BADIS-0121)**

Component side view from soldering side



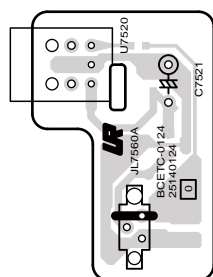
**U0042 HEADPHONE PC BOARD (BAETC-0123)**

Component side view from soldering side



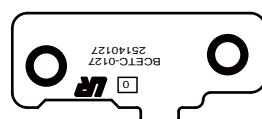
**U0043 FRONT DIGITAL INPUT PC BOARD (BAETC-0124)**

Component side view from soldering side



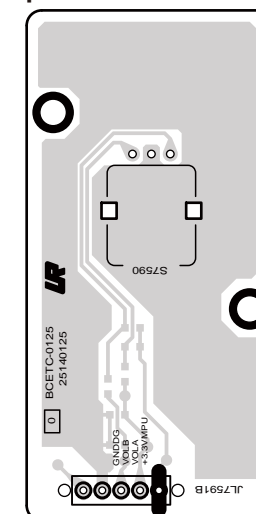
**U0046 SUPPORT PC BOARD-1 (BAETC-0127)**

Component side view from soldering side



**U0044 VOLUME PC BOARD (BAETC-0125)**

Component side view from soldering side



1

2

3

4

5

A B C D E F G H

**PRINTED CIRCUIT BOARD VIEWS-12 / U005**

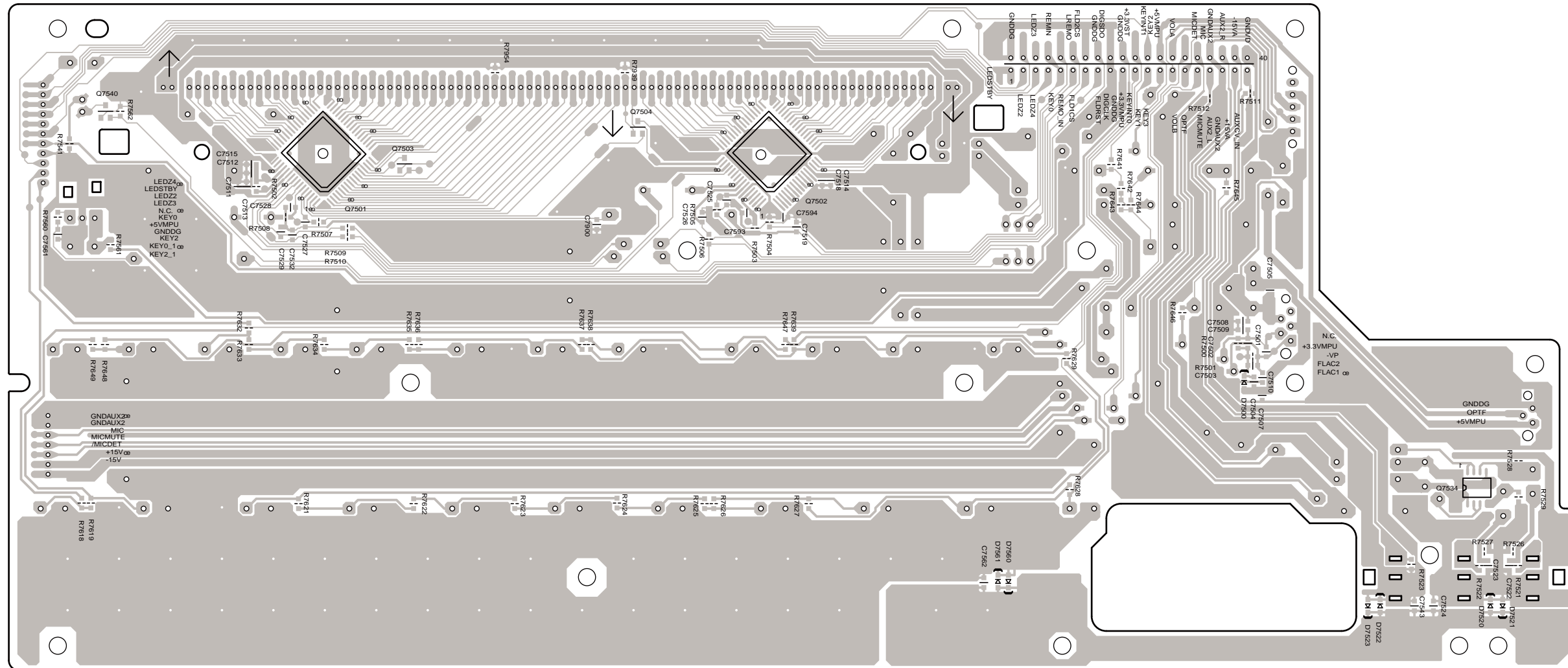
**U0040 DISPLAY CIRCUIT PC BOARD (BADIS-0121)**

Solderng side view from component side

1

2

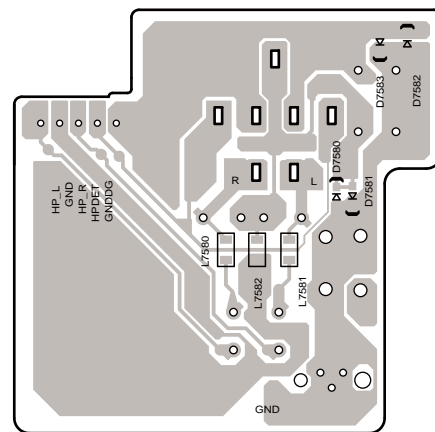
3



4

**U0042 HEADPHONE PC BOARD (BAETC-0123)**

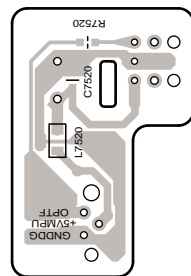
Solderng side view from component side



5

**U0043 FRONT DIGITAL INPUT PC BOARD (BAETC-0124)**

Solderng side view from component side



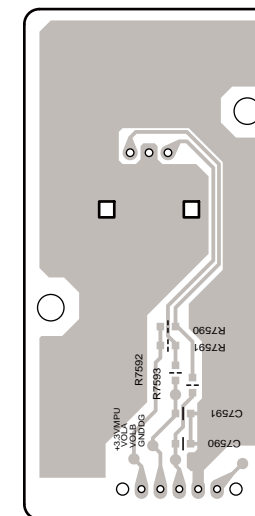
**U0046 SUPPORT PC BOARD-1 (BAETC-0127)**

Solderng side view from component side



**U0044 VOLUME PC BOARD (BAETC-0125)**

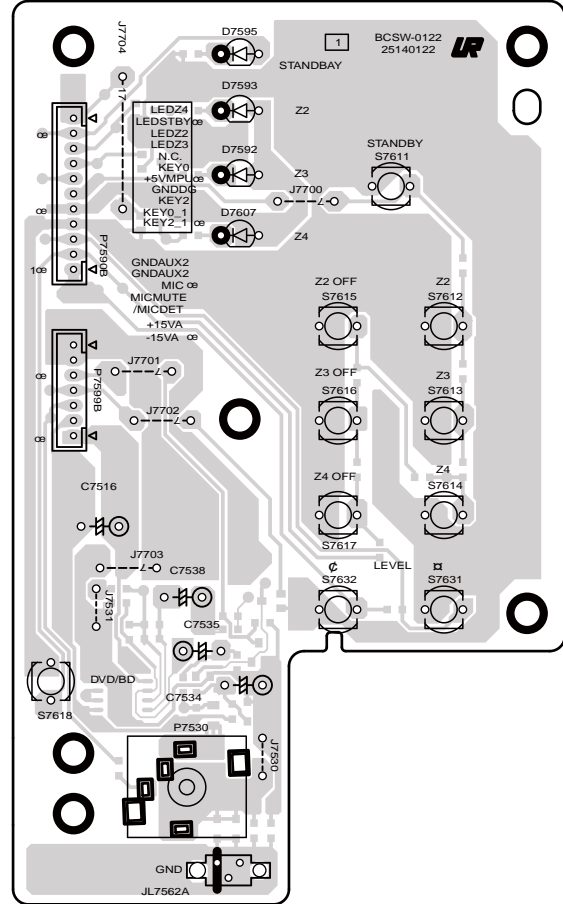
Solderng side view from component side



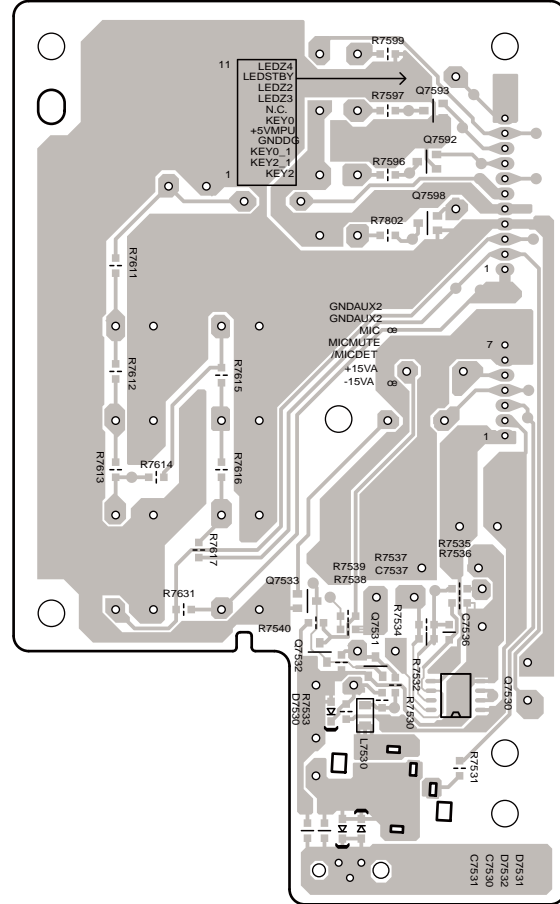
**PRINTED CIRCUIT BOARD VIEWS-13 / U005**

1

**U0041 Z2Z3 SWITCH PC BOARD (BASW-0122)**  
Component side view from soldering side

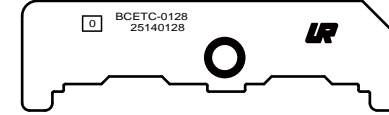


Solderng side view from component side

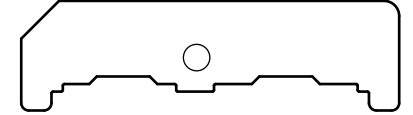


2

**U0047 SUPPORT PC BOARD-2 (BETC-0128)**  
Component side view from soldering side

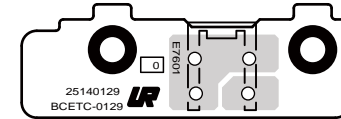


Solderng side view from component side

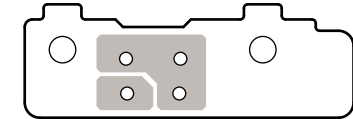


3

**U0048 SUPPORT PC BOARD-3 (BETC-0129)**  
Component side view from soldering side

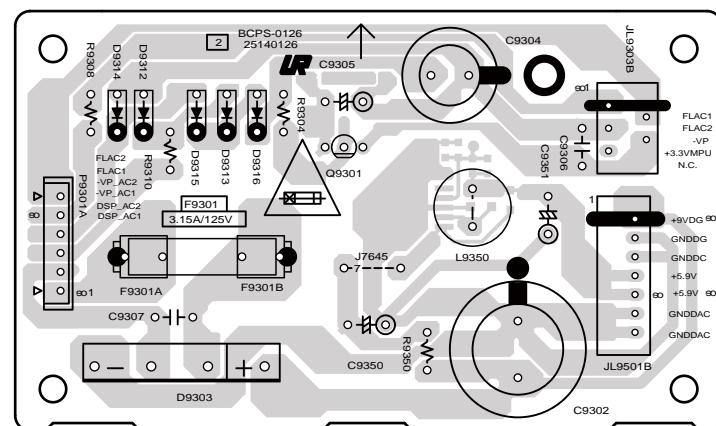


Solderng side view from component side

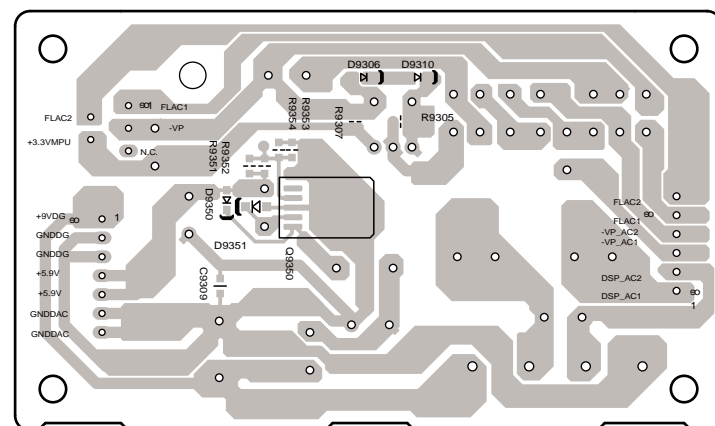


4

**U0045 FUSE PC BOARD (BAPS-0126)**  
Component side view from soldering side

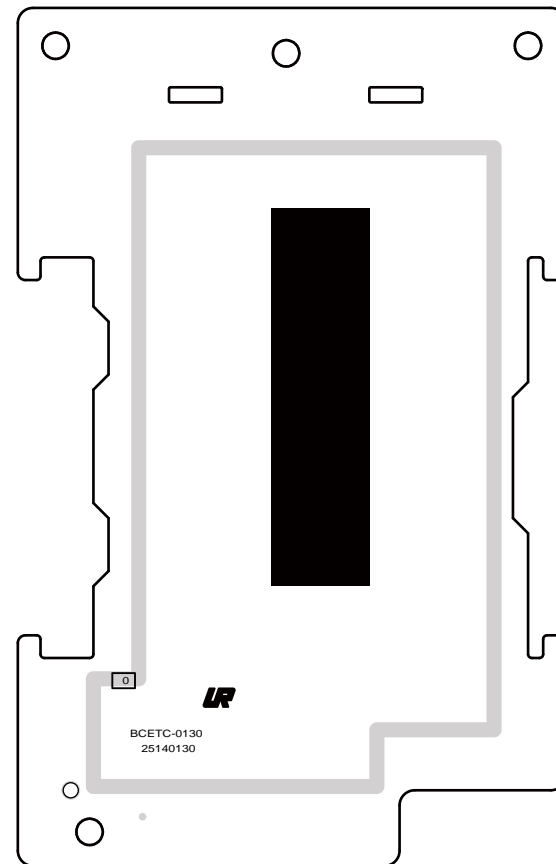


Solderng side view from component side

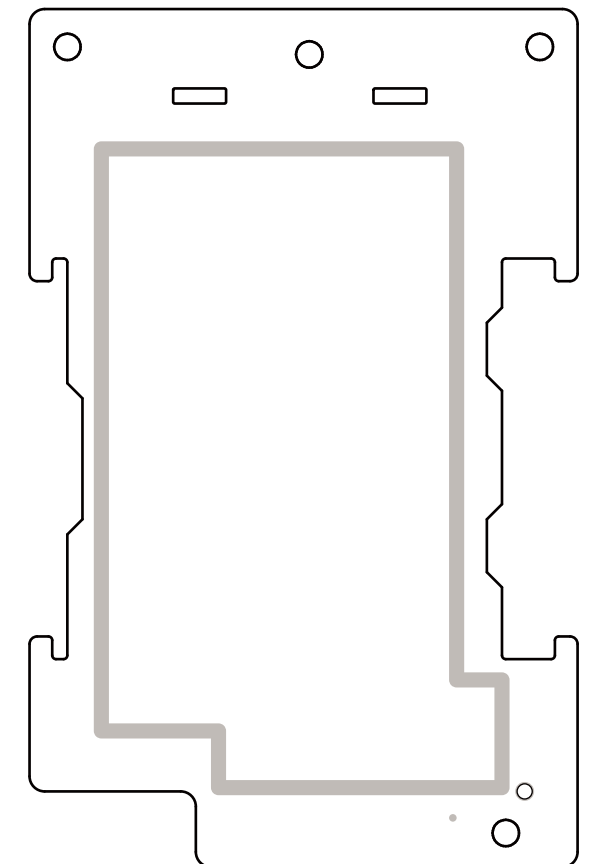


5

**U0049 FFC SUPPORT PC BOARD (BAETC-0130)**  
Component side view from soldering side

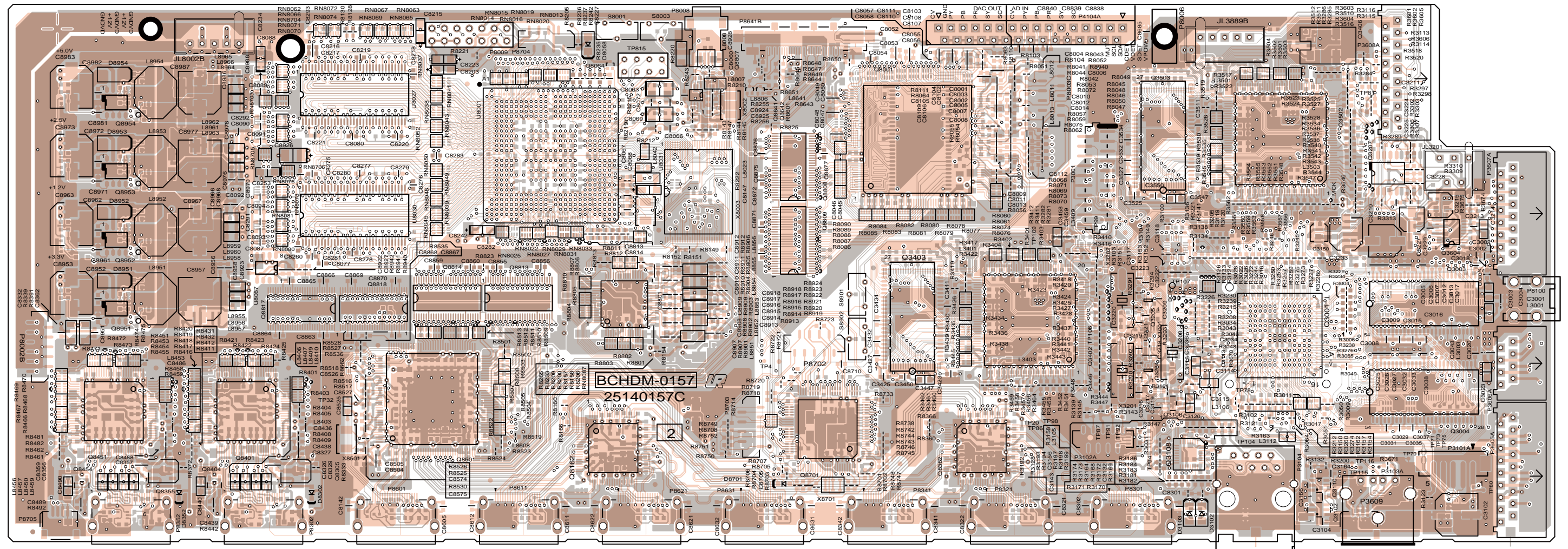


Solderng side view from component side



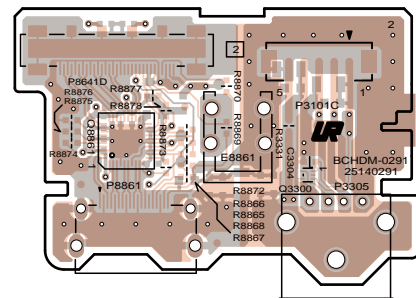
**U007** HDMI CIRCUIT PC BOARD (BAHDM-0157)

Component side view from soldering side

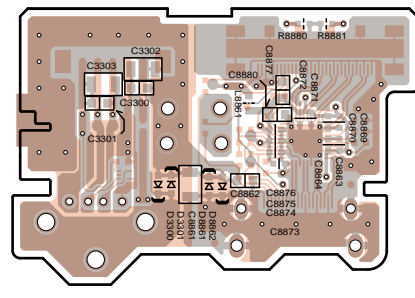


**U0101** FRONT HDMI/USB TERMINAL PC BOARD (BAHDM-0291)

Component side view from soldering side



Soldering side view from component side

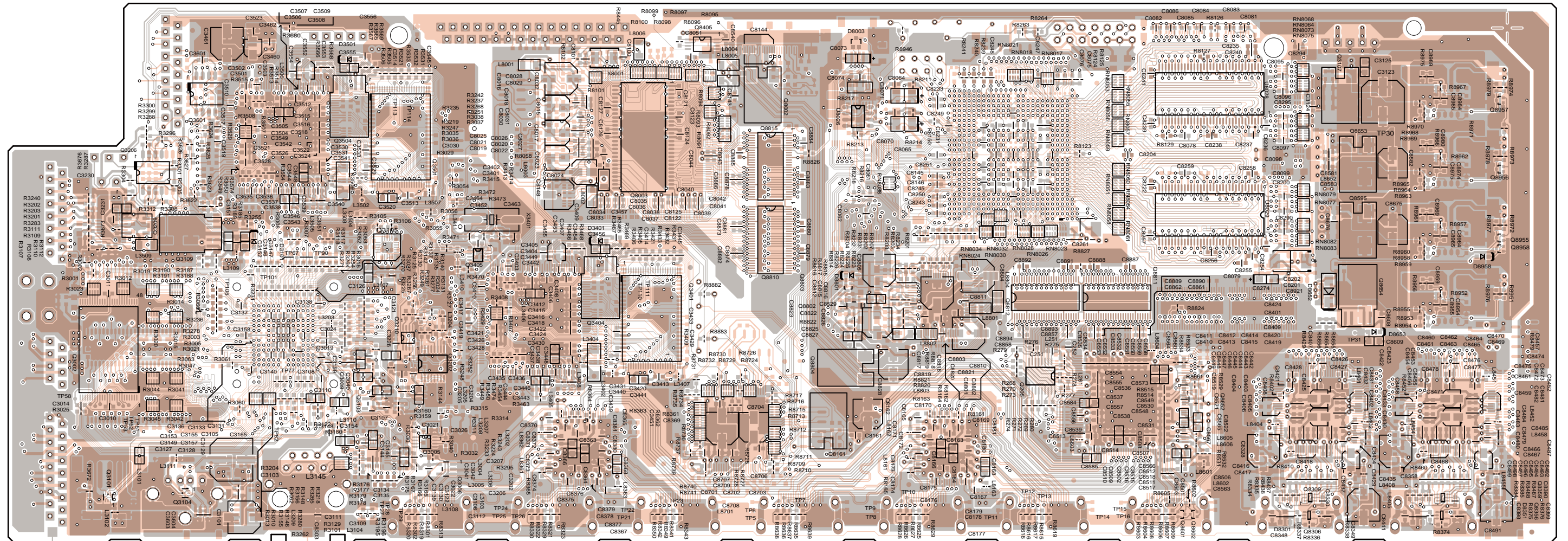


A B C D E F G H  
**PRINTED CIRCUIT BOARD VIEWS-18 / U007, U010**

**U007 HDMI CIRCUIT PC BOARD (BAHDM-0157)**

1

Soldering side view from component side



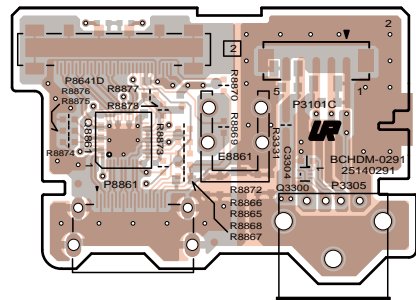
2

3

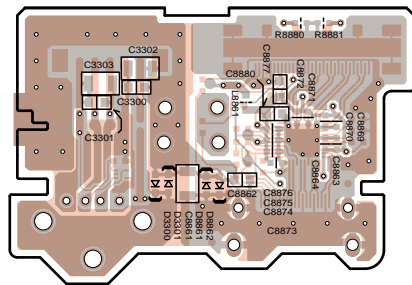
4

**U0101 FRONT HDMI/USB TERMINAL PC BOARD (BAHDM-0291)**

Component side view from soldering side



Soldering side view from component side



5

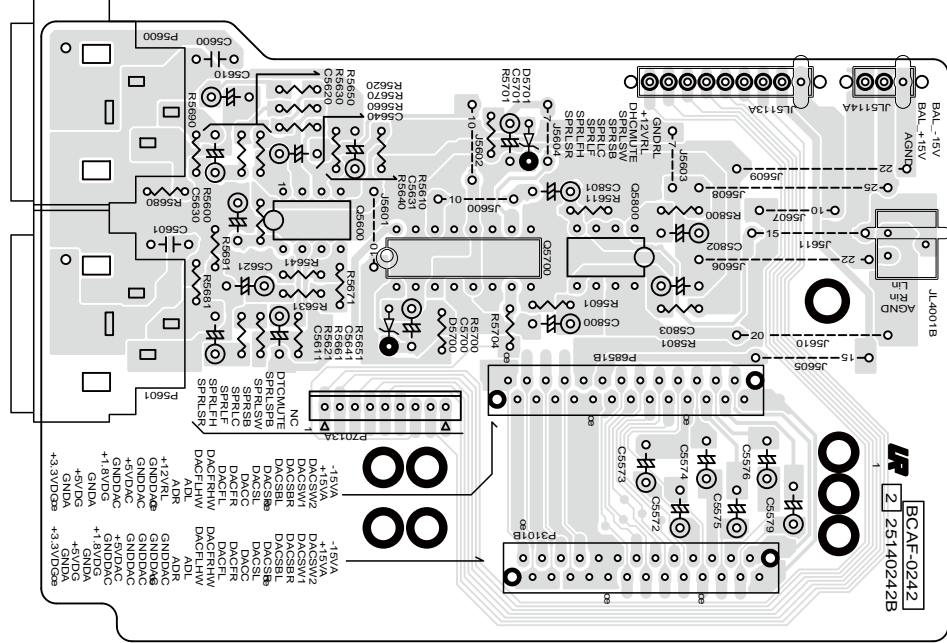
A B C D E F G H

PRINTED CIRCUIT BOARD VIEWS-19 / U008

**U0080** BALANCE INPUT CIRCUIT PC BOARD (BAAF-0242)

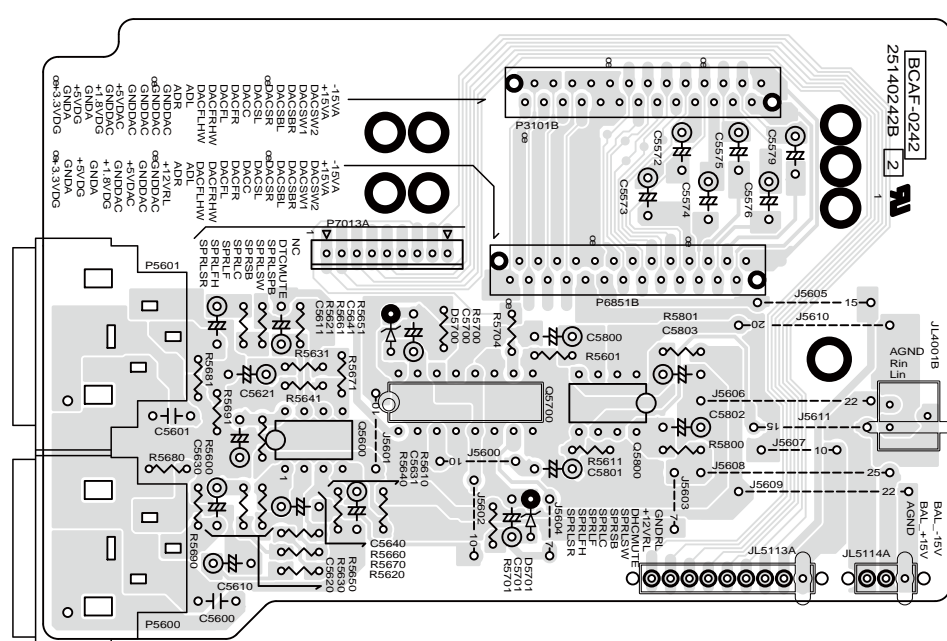
1

Component side view from soldering side



2

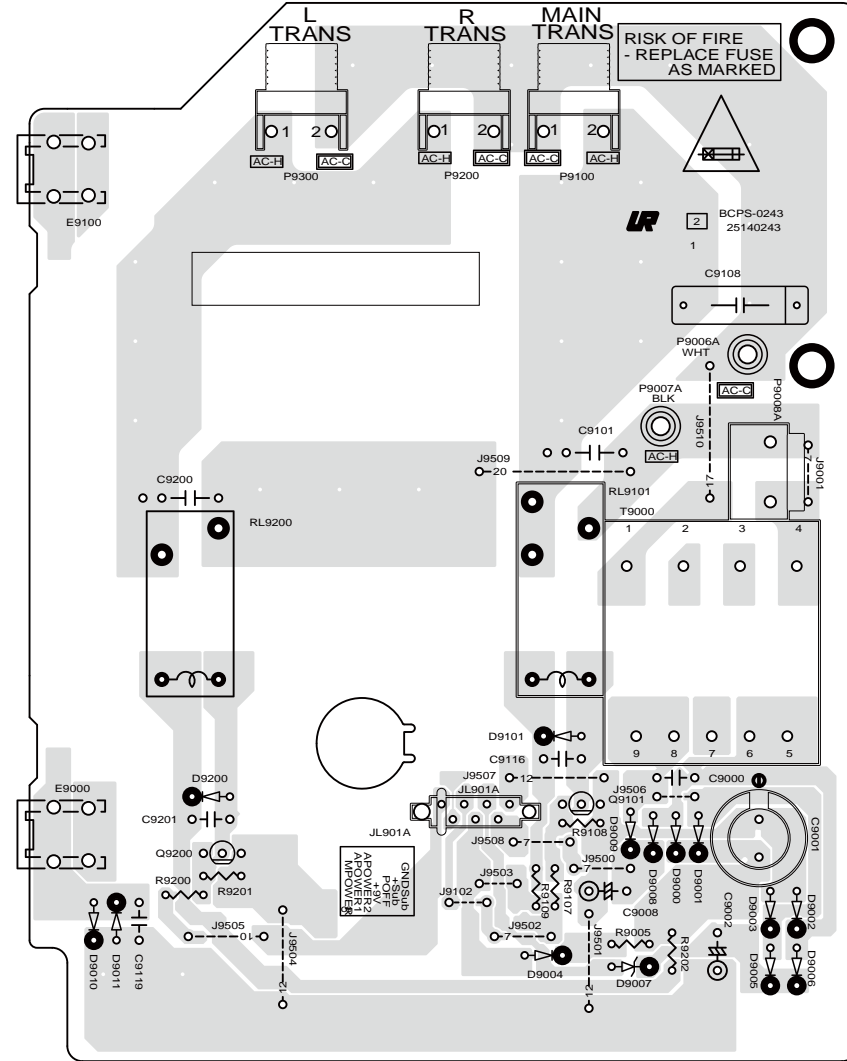
Soldering side view from component side



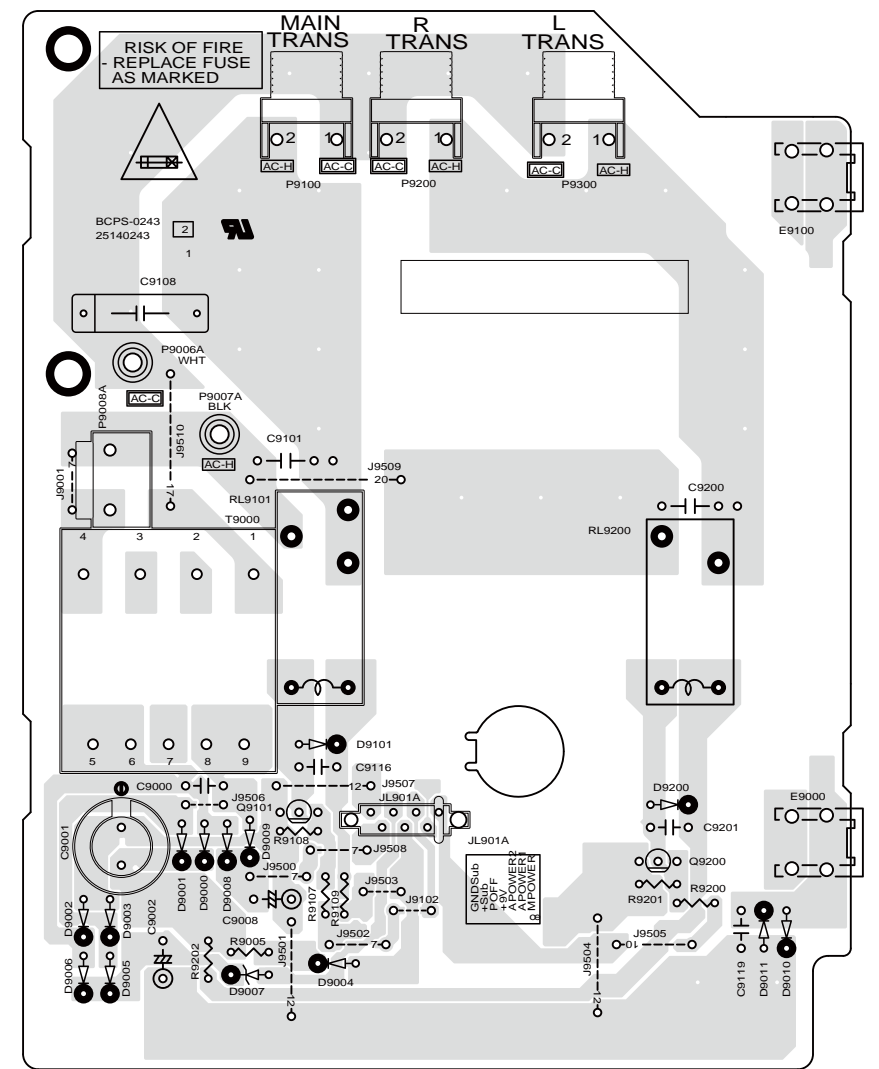
4

**U0081** PRIMARY POWER SUPPLY CIRCUIT PC BOARD (BAPS-0243)

Component side view from soldering side

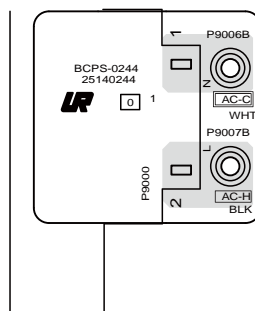


Soldering side view from component side

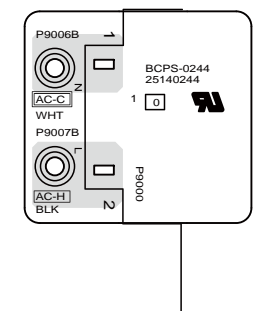


**U0082** INLET CIRCUIT PC BOARD (BAPS-0244)

Component side view from soldering side



Soldering side view from component side



5



**DHC-80.1**

**<Note>**

Parts marked by "NSP" are generally unavailable because they are not in our Master Spare Parts List.

**NOTE : THE COMPONENTS IDENTIFIED BY THE MARK ! ARE CRITICAL FOR RISK OF FIRE AND ELECTRIC SHOCK. REPLACE ONLY WITH PART NUMBER SPECIFIED.**

**<Notes>**

**<MDD> : 120V,US model**

**<MMA> : 220-240V,Australian model**

**DHC-80.1**

**EXPLODED VIEW PARTS LIST**

REF. NO.	PART NAME	DESCRIPTION	Q'TY	PART NO. (SN)	REMARKS
<b>[TRANS COIL]</b>					
T903	P TRANS	NPT-1581D	1	2301952	N <B MDD>
T903	P TRANS	NPT-1581M	1	2301953	N <B MMA>
T904	P TRANS	NPT-1582D	1	2301955	N <B MDD>
T904	P TRANS	NPT-1582M	1	2301956	N <B MMA>
T905	P TRANS	NPT-1558D	1	2301911A	<B MDD>
T905	P TRANS	NPT-1558M	1	2301912A	<B MMA>
<b>[SW TRM]</b>					
F2001	FUSE	4A-UL/T-233	1	252325GR	
F2001or	FUSE	4A-T/UL-ST2	(1)	252257GR	
F2004	FUSE	1.25A-UL/T-233	1	252318GR	
F2004or	FUSE	1.25A-T/UL-ST2	(1)	252251GR	
F2005	FUSE	1.25A-UL/T-233	1	252318GR	
F2005or	FUSE	1.25A-T/UL-ST2	(1)	252251GR	
F5000	FUSE	3.15A-UL/T-233	1	252323GR	
F5000or	FUSE	3.15A-T/UL-ST2	(1)	252256GR	
F5001	FUSE	3.15A-UL/T-233	1	252323GR	
F5001or	FUSE	3.15A-T/UL-ST2	(1)	252256GR	
F9301	FUSE	3.15A-UL/T-233	1	252323GR	
F9301or	FUSE	3.15A-T/UL-ST2	(1)	252256GR	

JL4103	JUMPER LEAD	JL5 400 H	1	NSP	<B>
P106	FFC	NCFC7-111012	1	2047111012	
P3101	SOCKET AS	NSAS-10P1813	1	2009991173UL	N <B>
P4008	FFC	NCFC7-090512	1	2047090512	<B>
P4009	FFC	NCFC7-150512	1	2047150512	<B>
P4104	FFC	NCFC7-311012	1	2047311012	
P7501	SOCKET AS	NSAS-80P1805	1	2009991168UL	N
P8002	FFC	NCFC5-110512	1	2045110512	N <B>
P8641	FFC	NCFC7-31007	1	204D31007	<B>
P9008	SOCKET AS	NSAS-3P1760	1	2009991127UL	<B MMA>
<b>[CHASSIS SCREW]</b>					
A150	CUSHION	(T3*W35*D10)	1	28141741	<B>
A151	CHASSIS	---	1	27100493E	N <B>
A152	CUSHION	(BUTYL)	1	28141748	<B>
A153	LEG	---	4	27175450	N <B>
A155	CUSHION	(LEG)	4	28141735	<B>
A157	IB CUSHION	W15*3t TAPE	1	28141585	<B>
A159	CUSHION	---	8	28141637	<B>
A161	SCREW	3TTB+8B(3CM)SR	4	801637	<B>
A163	HOLDER	(SPD-6)	6	27191308	<B>
A165	HOLDER	KGPS-10RF	3	27190813	<B>
A167	HOLDER	KGLS-10RT	1	27190428A	<B>
A169	HOLDER	KGLS-12RT	1	27190266	<B>
A173	HOLDER	HOLDER KGLS-18S	1	27190470	<B>
A175	HOLDER	KGPS-18S	1	27191339	N <B>
A177	HOLDER	KGLS-14S	1	27190164	<B>
A179	HOLDER	SPM-4	1	27191154	<B>
A181	HOLDER	KGLS-22RT	3	27190772	<B>
A183	HOLDER	HOLDER KGLS-18S	1	27190470	<B>
A185	HOLDER	KGLS-22RT	1	27190772	<B>
A189	SCREW	3TTB+8B(3CM)SR	1	801637	<B>
A191	SCREW	3TTB+8B(3CM)SR	1	801637	<B>
A193	SCREW	3TTB+8B(3CM)SR	1	801637	<B>

A199	SCREW	3TTB+8B(3BC)	5	838430088GR	<B>
A211	BRACKET	(PT2)B	1	27131071	N <B>
A212	CUSHION	t10*10*100	2	28141746	<B>
A213	HOLDER	KGPS-6RF	1	27191112	<B>
A215	CLAMP	HL-18-0	1	27301394	<B>
A217	CLAMP	WS-2NS	7	27300833	<B>
A219	HOLDER	KGLS-6RT	3	27190693A	<B>
A221	RETAINER	(F)	2	27142073	<B>
A223	SCREW	3TTB+8B(3CM)SR	4	801637	<B>
A225	SCREW	4TTC+8C(3BC)	4	830440089GR	<B>
A227	SCREW	4TTC+8C(3BC)	4	830440089GR	<B>
A231	CUSHION	(BUTYL)	1	28141748	<B>
A233	BRACKET	(F)807	1	27131065A	N <B>
A235	BUSHING	L125	2	28170004	<B>
A237	SCREW	3TTB+8B(3CM)SR	5	801637	<B>
A241	HOLDER	SPM-4	4	27191154	<B>
A243	CUSHION	(T3*W35*D10)	1	28141741	<B>
A245	CUSHION	(BUTYL)	1	28141748	<B>
A255	REAR PANEL	DHC80.1DD	1	27124043A	N <B MDD>
A255	REAR PANEL	DHC80.1MA	1	27124044A	N <B MMA>
A257	TAPE	TAPE(CLOTH-8U)	1	29110082	<B>
A261	SCREW	3TTB+8B(3BC)	70	838430088GR	
A279	SCREW	3P+6FN(3BC)	12	82143006GR	
A285	SCREW	4TTB+10B(3BC)	2	838440108GR	N
A287	TRM	E-terminal	1	25060151	
A289	WASHER	W3*10F(3BC)	1	87643010GR	
<b>[CABINET]</b>					
A551	COVER	(B) (Bent)	1	28210043A	N <B>
A551	COVER	(B) (Not Bent)	1	28210043AZ	N <B>
A553	LABEL	(COVER)	1	29364123	<B>
A555	SCREW	4TTB+8C(3BC)	6	838440089GR	<B>
A557	SCREW	3TTB+8B(3BC)	3	838430088GR	<B>
A561	LABEL	HOOKUP-INTEGRA	1	29363195	<B MDD>

A601	F PANEL	C80.1(B)	1	27213229	N <B MDD>
A601	F PANEL	C80.1(B)	1	27213230	N <B MMA>
A603	BADGE	---	1	28135278	<B>
A605	FACET	---	3	28198905	<B>
A607	GUIDE	(VOL)	1	27268227	<B>
A611	DECO FRM	---	1	28159049A	<B>
A613	B PLATE	---	1	28133430	<B>
A615	CLEAR PLT	---	1	28192233	<B>
A631	F BRACKET	(B)	1	27111536C	<B>
A633	KNOB	(STANDBY)	1	28325756	<B>
A635	KNOB	(CUR)B	1	28326682A	<B>
A637	P RIVET	P-3055B-8L	2	880048	<B>
A638	CUSHION	(CUR)	1	28141811	<B>
A639	RETAINER	(HP)	1	27141787	<B>
A641	SNAP PLATE	SNAP PLATE	1	27301877	<B>
A643	SCREW	3TTB+8B(3CM)SR	2	801637	<B>
A645	RETAINER	(F)	1	27142155A	<B>
A647	SCREW	3TTB+8B(3CM)SR	1	801637	<B>
A649	SCREW	3TTB+10B(3BC)	1	838430108GR	<B>
A651	SCREW	3TTB+8B(3CM)SR	19	801637	<B>
A653	SCREW	3TTB+8B(3CM)SR	3	801637	<B>
A655	SCREW	3TTB+8B(3CM)SR	2	801637	<B>
A657	SCREW	3TTB+8B(3BC)	3	838430088GR	<B>
A659	SCREW	3TTB+8B(3CM)SR	3	801637	<B>
A661	SCREW	3TTB+8B(3CM)SR	1	801637	<B>
A663	SCREW	3TTB+8B(3BC)	3	838430088GR	<B>
A671	IB CUSHION	W15*3t TAPE	1	28141585	<B>
A681	KNOB	(VOL)AS	1	28326231B	<B>
A685	CUSHION	t0.9*Φ48	1	28141824	<B>
A691	CUSHION	(T3*W35*D10)	3	28141741	<B>
A693	CUSHION	t5*30*5	1	28141562	<B>
A694	CUSHION	(FNP) t25x15x10	2	28141828	<B>
A695	SPACER	(NYLON) Φ8xT1	4	27270528	N <B>

A696	CUSHION	t10*10*100	1	28141746	<B>
A697	CUSHION	T10*30*10EPT	2	28141822	<B>
<b>[TUNER UNIT]</b>					
<b>U001</b>	<b>BALANCE OUPUT PC BOARD AS</b>	<b>BATRM-0237-1A *</b>	<b>1</b>	<b>1B234537-1A</b>	<b>N</b>
<b>U003</b>	<b>U0030+U0031</b>	<b>BAASP-0202-1Q *</b>	<b>1</b>	<b>1B234502-1Q</b>	<b>N</b>
U0030	AUDIO IN/OUT PC BOARD AS	BAASP-0202-1Q	1	1B2345202-1Q	N
U0031	VIDEO IN/OUT PC BOARD AS	BAVD-0203-1Q	1	1B2345203-1Q	N
<b>U004</b>	<b>U0040 ~ U0047</b>	<b>BADG-0208-1N *</b>	<b>1</b>	<b>1B234508-1N</b>	<b>N &lt;B MDD&gt;</b>
U0040	DAC PC BOARD AS	BADG-0208-1N	1	1B2345208-1N	N <B MDD>
U0041	MICROPROCESSOR PC BOARD AS	BACPU-0209-1N	1	1B2345209-1N	N <B MDD>
U0042	ZONE-2 VOLUME PC BOARD AS	BAAR-0210-1N	1	1B2345210-1N	N <B MDD>
U0043	EQUALIZER AMP PC BOARD AS	BAAF-0211-1N	1	1B2345211-1N	N <B MDD>
U0044	BUFFER AMP PC BOARD AS	BAACC-0212-1N	1	1B2345212-1N	N <B MDD>
U0045	SIRIUS PC BOARD AS	BARF-0204-1N	1	1B2345204-1N	N <B MDD>
U0046	DIGITAL INPUT PC BOARD AS	BAETC-0246-1N	1	1B2345246-1N	N <B MDD>
U0047	D-SUB15 PC BOARD AS	BAETC-0247-1N	1	1B2345247-1N	N <B MDD>
<b>U004</b>	<b>U0040 ~ U0047</b>	<b>BADG-0208-1P *</b>	<b>1</b>	<b>1B234508-1P</b>	<b>N &lt;B MMA&gt;</b>
U0040	DAC PC BOARD AS	BADG-0208-1P	1	1B2345208-1P	N <B MMA>
U0041	MICROPROCESSOR PC BOARD AS	BACPU-0209-1P	1	1B2345209-1P	N <B MMA>
U0042	ZONE-2 VOLUME PC BOARD AS	BAAR-0210-1P	1	1B2345210-1P	N <B MMA>
U0043	EQUALIZER AMP PC BOARD AS	BAAF-0211-1P	1	1B2345211-1P	N <B MMA>
U0044	BUFFER AMP PC BOARD AS	BAACC-0212-1P	1	1B2345212-1P	N <B MMA>
U0045	SIRIUS PC BOARD AS	BARF-0204-1P	1	1B2345204-1P	N <B MMA>
U0046	DIGITAL INPUT PC BOARD AS	BAETC-0246-1P	1	1B2345246-1P	N <B MMA>
U0047	D-SUB15 PC BOARD AS	BAETC-0247-1P	1	1B2345247-1P	N <B MMA>
<b>U005</b>	<b>U0050 ~ U0057</b>	<b>BADIS-0121-1C *</b>	<b>1</b>	<b>1B234521-1C</b>	<b>N</b>
U0050	DISPLAY PC BOARD AS	BADIS-0121-1C	1	1B2345121-1C	N
U0051	LED-SW PC BOARD AS	BASW-0122-1C	1	1B2345122-1C	N
U0052	PHONE JACK PC BOARD AS	BAETC-0123-1C	1	1B2345123-1C	N
U0053	FRONT OPT IN PC BOARD AS	BAETC-0124-1C	1	1B2345124-1C	N
U0054	VOLUME PC BOARD AS	BAETC-0125-1C	1	1B2345125-1C	N
U0055	POWER SUPPLY (SEC) PC BOARD AS	BAPS-0126-1C	1	1B2345126-1C	N
U0056	HOLDER(U0053) PC BOARD AS	BAETC-0127-1C	1	1B2345127-1C	N

U0057	HOLDER(U0101) PC BOARD AS	BAETC-0128-1C	1	1B2345128-1C	N
<b>U007</b>	<b>HDMI PC BOARD AS</b>	<b>BAHDM-0157-1E *</b>	<b>1</b>	<b>1B234557-1E_0340A2</b>	N
<b>U008</b>	<b>U0080+U0081+U0082</b>	<b>BAAF-0242-1A *</b>	<b>1</b>	<b>1B234542-1A</b>	N <B MDD>
U0080	BALANCE INPUT PC BOARD AS	BAAF-0242-1A	1	1B2345242-1A	N <B MDD>
U0081	PRIMARY POWER SUPPLY PC BOARD AS	BAPS-0243-1A	1	1B2345243-1A	N <B MDD>
U0082	INLET PC BOARD AS	BAPS-0244-1A	1	1B2345244-1A	N <B MDD>
<b>U008</b>	<b>U0080+U0081+U0082</b>	<b>BAAF-0242-1B *</b>	<b>1</b>	<b>1B234542-1B</b>	N <B MMA>
U0080	BALANCE INPUT PC BOARD AS	BAAF-0242-1B	1	1B2345242-1B	N <B MMA>
U0081	PRIMARY POWER SUPPLY PC BOARD AS	BAPS-0243-1B	1	1B2345243-1B	N <B MMA>
U0082	INLET PC BOARD AS	BAPS-0244-1B	1	1B2345244-1B	N <B MMA>
<b>U0101</b>	<b>FRONT HDMI/USB PC BOARD AS</b>	<b>BAHDM-0291-1B</b>	<b>1</b>	<b>1B2345291-1B</b>	
U011	TUNER UNIT	FAEH06-E01EX	1	240165	<B MMA>
U011	TUNER UNIT	FAEH06-A01US	1	240166	<B MDD>

**DHC-80.1**

**PC BOARD PARTS LIST**

<b>U001</b>	<b>BALANCE OUPUT PC BOARD AS</b>	<b>BATRM-0237-1A *</b>	<b>1</b>	<b>1B234537-1A</b>	N
CIRCUIT. NO.	PART NAME	DESCRIPTION	Q'TY	PART NO. (SN)	REMARKS
<b>[SEMI CONDUCTOR]</b>					
D5000	DIODE	D3SBA20	1	22380271F	
D5004	ZENER D	MTZJ13B	1	224471302T	
D5005	ZENER D	MTZJ13B	1	224471302T	
D5006	DIODE	ISS133	1	223163T	
D5007	DIODE	ISS133	1	223163T	
D5011	DIODE	D10XB60H	1	22380337F	
D5013	DIODE	D3SBA20	1	22380271F	
D5017	ZENER D	MTZJ13B	1	224471302T	
D5018	ZENER D	MTZJ13B	1	224471302T	
D5101	DIODE	ISS133	1	223163T	

D5102	DIODE	ISS133	1	223163T
D5103	DIODE	ISS133	1	223163T
D5104	DIODE	ISS133	1	223163T
D5105	DIODE	ISS133	1	223163T
D5106	DIODE	ISS133	1	223163T
Q2	IC	NJM2388F09	1	22242383
Q5000	TR	2SC1815-GR	1	2211255T
Q5001	TR	2SC2878-B	1	2212286T
Q5001 or	TR	2SC2878-A(TPE2_F)	(1)	2212285T
Q5002	TR	2SC3851-Y	1	2203384
Q5002 or	TR	2SD2394-E	(1)	2202705
Q5003	TR	2SA1015-GR	1	2211455T
Q5005	TR	2SK365-GR	1	2212445T
Q5006	TR	2SK365-GR	1	2212445T
Q5007	TR	2SA1488-Y	1	2203394
Q5007 or	TR	2SB1565-E	(1)	2202715
Q5007A	HEAT SINK	RAD-165	1	27160500
Q5011	TR	2SC2878-B	1	2212286T
Q5011 or	TR	2SC2878-A(TPE2_F)	(1)	2212285T
Q5012A	HEAT SINK	RAD-165	1	27160500
Q5013	TR	2SK365-GR	1	2212445T
Q5014	TR	2SK365-GR	1	2212445T
Q5015	TR	2SC3851-Y	1	2203384
Q5015 or	TR	2SD2394-E	(1)	2202705
Q5016	TR	2SA1488-Y	1	2203394
Q5016 or	TR	2SB1565-E	(1)	2202715
Q5017	TR	2SA1015-GR	1	2211455T
Q5018	TR	2SC1815-GR	1	2211255T
Q5021	TR	2SC2878-B	1	2212286T
Q5021 or	TR	2SC2878-A(TPE2_F)	(1)	2212285T
Q5031	TR	2SC2878-B	1	2212286T
Q5031 or	TR	2SC2878-A(TPE2_F)	(1)	2212285T
Q5100	TR	2SC2878-B	1	2212286T

Q5100 or	TR	2SC2878-A(TPE2_F)	(1)	2212285T
Q5101	TR	2SC2878-B	1	2212286T
Q5101 or	TR	2SC2878-A(TPE2_F)	(1)	2212285T
Q5102	TR	2SC2878-B	1	2212286T
Q5102 or	TR	2SC2878-A(TPE2_F)	(1)	2212285T
Q5103	TR	2SC2878-B	1	2212286T
Q5103 or	TR	2SC2878-A(TPE2_F)	(1)	2212285T
Q5104	TR	2SC2878-B	1	2212286T
Q5104 or	TR	2SC2878-A(TPE2_F)	(1)	2212285T
Q5105	TR	2SC2878-B	1	2212286T
Q5105 or	TR	2SC2878-A(TPE2_F)	(1)	2212285T
Q5106	TR	2SC2878-B	1	2212286T
Q5106 or	TR	2SC2878-A(TPE2_F)	(1)	2212285T
Q5107	TR	2SC2878-B	1	2212286T
Q5107 or	TR	2SC2878-A(TPE2_F)	(1)	2212285T
Q5108	TR	2SC2878-B	1	2212286T
Q5108 or	TR	2SC2878-A(TPE2_F)	(1)	2212285T
Q5109	TR	2SC2878-B	1	2212286T
Q5109 or	TR	2SC2878-A(TPE2_F)	(1)	2212285T
Q5110	TR	2SC2878-B	1	2212286T
Q5110 or	TR	2SC2878-A(TPE2_F)	(1)	2212285T
Q5111	TR	2SC2878-B	1	2212286T
Q5111 or	TR	2SC2878-A(TPE2_F)	(1)	2212285T
Q5112	TR	2SC2878-B	1	2212286T
Q5112 or	TR	2SC2878-A(TPE2_F)	(1)	2212285T
Q5113	TR	2SC2878-B	1	2212286T
Q5113 or	TR	2SC2878-A(TPE2_F)	(1)	2212285T
Q5114	TR	2SC2878-B	1	2212286T
Q5114 or	TR	2SC2878-A(TPE2_F)	(1)	2212285T
Q5115	TR	2SC2878-B	1	2212286T
Q5115 or	TR	2SC2878-A(TPE2_F)	(1)	2212285T
Q5116	TR	2SC2878-B	1	2212286T
Q5116 or	TR	2SC2878-A(TPE2_F)	(1)	2212285T



Q5117	TR	2SC2878-B	1	2212286T
Q5117 or	TR	2SC2878-A(TPE2_F)	(1)	2212285T
Q5118	TR	2SC2878-B	1	2212286T
Q5118 or	TR	2SC2878-A(TPE2_F)	(1)	2212285T
Q5119	TR	2SC2878-B	1	2212286T
Q5119 or	TR	2SC2878-A(TPE2_F)	(1)	2212285T
Q5120	TR	2SC2878-B	1	2212286T
Q5120 or	TR	2SC2878-A(TPE2_F)	(1)	2212285T
Q5121	TR	2SC2878-B	1	2212286T
Q5121 or	TR	2SC2878-A(TPE2_F)	(1)	2212285T
Q5122	TR	2SC2878-B	1	2212286T
Q5122 or	TR	2SC2878-A(TPE2_F)	(1)	2212285T
Q5123	TR	2SC2878-B	1	2212286T
Q5123 or	TR	2SC2878-A(TPE2_F)	(1)	2212285T
Q5124	TR	2SC2878-B	1	2212286T
Q5124 or	TR	2SC2878-A(TPE2_F)	(1)	2212285T
Q5125	TR	2SC2878-B	1	2212286T
Q5125 or	TR	2SC2878-A(TPE2_F)	(1)	2212285T
Q5126	TR	2SC2878-B	1	2212286T
Q5126 or	TR	2SC2878-A(TPE2_F)	(1)	2212285T
Q5127	TR	2SC2878-B	1	2212286T
Q5127 or	TR	2SC2878-A(TPE2_F)	(1)	2212285T
Q5128	TR	2SC2878-B	1	2212286T
Q5128 or	TR	2SC2878-A(TPE2_F)	(1)	2212285T
Q5129	TR	2SC2878-B	1	2212286T
Q5129 or	TR	2SC2878-A(TPE2_F)	(1)	2212285T
Q5130	TR	2SC2878-B	1	2212286T
Q5130 or	TR	2SC2878-A(TPE2_F)	(1)	2212285T
Q5131	TR	2SC2878-B	1	2212286T
Q5131 or	TR	2SC2878-A(TPE2_F)	(1)	2212285T
Q5132	TR	2SC2878-B	1	2212286T
Q5132 or	TR	2SC2878-A(TPE2_F)	(1)	2212285T
Q5133	TR	2SC2878-B	1	2212286T

Q5133 or	TR	2SC2878-A(TPE2_F)	(1)	2212285T
Q5134	TR	2SC2878-B	1	2212286T
Q5134 or	TR	2SC2878-A(TPE2_F)	(1)	2212285T
Q5135	TR	2SC2878-B	1	2212286T
Q5135 or	TR	2SC2878-A(TPE2_F)	(1)	2212285T
Q5136	TR	2SC2878-B	1	2212286T
Q5136 or	TR	2SC2878-A(TPE2_F)	(1)	2212285T
Q5137	TR	2SC2878-B	1	2212286T
Q5137 or	TR	2SC2878-A(TPE2_F)	(1)	2212285T
Q5138	TR	2SC2878-B	1	2212286T
Q5138 or	TR	2SC2878-A(TPE2_F)	(1)	2212285T
Q5139	TR	2SC2878-B	1	2212286T
Q5139 or	TR	2SC2878-A(TPE2_F)	(1)	2212285T
Q5141	TR	2SC1815-GR	1	2211255T
Q5142	TR	2SC1815-GR	1	2211255T
Q5143	TR	2SC1815-GR	1	2211255T
Q5144	TR	2SC1815-GR	1	2211255T
Q5145	TR	2SC1815-GR	1	2211255T
Q5146	TR	2SC1815-GR	1	2211255T
Q5160	IC	NE5532AP(TI)	1	22242274
Q5161	IC	NE5532AP(TI)	1	22242274
Q5162	IC	NE5532AP(TI)	1	22242274
Q5163	IC	NE5532AP(TI)	1	22242274
Q5164	IC	NE5532AP(TI)	1	22242274
Q5165	IC	NE5532AP(TI)	1	22242274
Q5166	IC	NE5532AP(TI)	1	22242274
Q5167	IC	NE5532AP(TI)	1	22242274
Q5168	IC	NE5532AP(TI)	1	22242274
Q5169	IC	NE5532AP(TI)	1	22242274
Q5171	IC	NE5532AP(TI)	1	22242274
<b>[CAPACITOR]</b>				
C1	VR C	CE04W50V-1M(VR)	1	394680107T
C2	VR C	CE04W16V-220M(VR)	1	394642217T

C5000	TF C	ECQ-V50V-104J	1	374721044T
C5001	ELECT C	CE69W35V-8200M(ESMH)	1	3500229A
C5002	UTSP C	CE04W25V-100M(UTSP)	1	397551017T
C5003	UTSP C	CE04W25V-100M(UTSP)	1	397551017T
C5004	UTSP C	CE04W25V-100M(UTSP)	1	397551017T
C5005	UTSP C	CE04W25V-100M(UTSP)	1	397551017T
C5006	ELECT C	CE69W35V-8200M(ESMH)	1	3500229A
C5011	VR C	CE04W16V-4700M(VR)	1	394644727S
C5021	UTSP C	CE04W50V 47M(UTSP)	1	397584707T
C5023	TF C	ECQ-V50V-104J	1	374721044T
C5024	ELECT C	CE69W35V-8200M(ESMH)	1	3500229A
C5025	ELECT C	CE69W35V-8200M(ESMH)	1	3500229A
C5026	UTSP C	CE04W25V-100M(UTSP)	1	397551017T
C5027	UTSP C	CE04W25V-100M(UTSP)	1	397551017T
C5028	UTSP C	CE04W25V-100M(UTSP)	1	397551017T
C5029	UTSP C	CE04W25V-100M(UTSP)	1	397551017T
C5030	TF C	ECQ-V50V-104J	1	374721044T
C5031	UPZ C	2AUPZTF101JE	1	376331014T
C5071	UTSP C	CE04W50V 47M(UTSP)	1	397584707T
C5091	UTSP C	CE04W50V 47M(UTSP)	1	397584707T
C5100	UPZ C	2AUPZTF101JE	1	376331014T
C5101	UPZ C	2AUPZTF101JE	1	376331014T
C5102	UPZ C	2AUPZTF101JE	1	376331014T
C5103	UPZ C	2AUPZTF101JE	1	376331014T
C5104	UPZ C	2AUPZTF101JE	1	376331014T
C5105	UPZ C	2AUPZTF101JE	1	376331014T
C5106	UPZ C	2AUPZTF101JE	1	376331014T
C5107	UPZ C	2AUPZTF101JE	1	376331014T
C5108	UPZ C	2AUPZTF101JE	1	376331014T
C5109	UPZ C	2AUPZTF101JE	1	376331014T
C5120	UTSP C	CE04W50V 47M(UTSP)	1	397584707T
C5121	UTSP C	CE04W50V 47M(UTSP)	1	397584707T
C5122	UTSP C	CE04W50V 47M(UTSP)	1	397584707T

C5123	UTSP C	CE04W50V 47M(UTSP)	1	397584707T
C5124	UTSP C	CE04W50V 47M(UTSP)	1	397584707T
C5125	UTSP C	CE04W50V 47M(UTSP)	1	397584707T
C5126	UTSP C	CE04W50V 47M(UTSP)	1	397584707T
C5127	UTSP C	CE04W50V 47M(UTSP)	1	397584707T
C5128	UTSP C	CE04W50V 47M(UTSP)	1	397584707T
C5129	UTSP C	CE04W50V 47M(UTSP)	1	397584707T
C5170	UTSP C	CE04W50V 47M(UTSP)	1	397584707T
C5171	UTSP C	CE04W50V 47M(UTSP)	1	397584707T
C5172	UTSP C	CE04W50V 47M(UTSP)	1	397584707T
C5173	UTSP C	CE04W50V 47M(UTSP)	1	397584707T
C5174	UTSP C	CE04W50V 47M(UTSP)	1	397584707T
C5175	UTSP C	CE04W50V 47M(UTSP)	1	397584707T
C5176	UTSP C	CE04W50V 47M(UTSP)	1	397584707T
C5177	UTSP C	CE04W50V 47M(UTSP)	1	397584707T
C5178	UTSP C	CE04W50V 47M(UTSP)	1	397584707T
C5179	UTSP C	CE04W50V 47M(UTSP)	1	397584707T
C5190	UTSP C	CE04W50V 47M(UTSP)	1	397584707T
C5191	UTSP C	CE04W50V 47M(UTSP)	1	397584707T
C5192	UTSP C	CE04W50V 47M(UTSP)	1	397584707T
C5193	UTSP C	CE04W50V 47M(UTSP)	1	397584707T
C5194	UTSP C	CE04W50V 47M(UTSP)	1	397584707T
C5195	UTSP C	CE04W50V 47M(UTSP)	1	397584707T
C5196	UTSP C	CE04W50V 47M(UTSP)	1	397584707T
C5197	UTSP C	CE04W50V 47M(UTSP)	1	397584707T
C5198	UTSP C	CE04W50V 47M(UTSP)	1	397584707T
C5199	UTSP C	CE04W50V 47M(UTSP)	1	397584707T
C5200	TF C	ECQ-V50V-104J	1	374721044T
C5201	TF C	ECQ-V50V-104J	1	374721044T
C5202	TF C	ECQ-V50V-104J	1	374721044T
C5203	TF C	ECQ-V50V-104J	1	374721044T
C5204	TF C	ECQ-V50V-104J	1	374721044T
C5205	TF C	ECQ-V50V-104J	1	374721044T

C5206	TF C	ECQ-V50V-104J	1	374721044T
C5207	TF C	ECQ-V50V-104J	1	374721044T
C5208	TF C	ECQ-V50V-104J	1	374721044T
C5209	TF C	ECQ-V50V-104J	1	374721044T
C5210	TF C	ECQ-V50V-104J	1	374721044T
C5211	TF C	ECQ-V50V-104J	1	374721044T
C5212	TF C	ECQ-V50V-104J	1	374721044T
C5213	TF C	ECQ-V50V-104J	1	374721044T
C5214	TF C	ECQ-V50V-104J	1	374721044T
C5215	TF C	ECQ-V50V-104J	1	374721044T
C5216	TF C	ECQ-V50V-104J	1	374721044T
C5217	TF C	ECQ-V50V-104J	1	374721044T
C5218	TF C	ECQ-V50V-104J	1	374721044T
C5219	TF C	ECQ-V50V-104J	1	374721044T
C5220	TF C	ECQ-V50V-104J	1	374721044T
C5221	TF C	ECQ-V50V-104J	1	374721044T
C5222	TF C	ECQ-V50V-104J	1	374721044T
C5223	TF C	ECQ-V50V-104J	1	374721044T
C5224	TF C	ECQ-V50V-104J	1	374721044T
C5225	TF C	ECQ-V50V-104J	1	374721044T
C5226	TF C	ECQ-V50V-104J	1	374721044T
C5227	TF C	ECQ-V50V-104J	1	374721044T
C5228	TF C	ECQ-V50V-104J	1	374721044T
C5229	TF C	ECQ-V50V-104J	1	374721044T
C5230	TF C	ECQ-V50V-104J	1	374721044T
C5231	TF C	ECQ-V50V-104J	1	374721044T
C5232	TF C	ECQ-V50V-104J	1	374721044T
C5233	TF C	ECQ-V50V-104J	1	374721044T
C5234	TF C	ECQ-V50V-104J	1	374721044T
C5235	TF C	ECQ-V50V-104J	1	374721044T
C5236	TF C	ECQ-V50V-104J	1	374721044T
C5237	TF C	ECQ-V50V-104J	1	374721044T
C5238	TF C	ECQ-V50V-104J	1	374721044T

C5239	TF C	ECQ-V50V-104J	1	374721044T
C5250	UPZ C	2AUPZTF101JE	1	376331014T
C5251	UPZ C	2AUPZTF101JE	1	376331014T
C5252	UPZ C	2AUPZTF101JE	1	376331014T
C5253	UPZ C	2AUPZTF101JE	1	376331014T
C5254	UPZ C	2AUPZTF101JE	1	376331014T
C5255	UPZ C	2AUPZTF101JE	1	376331014T
C5256	UPZ C	2AUPZTF101JE	1	376331014T
C5257	UPZ C	2AUPZTF101JE	1	376331014T
C5258	UPZ C	2AUPZTF101JE	1	376331014T
C5259	UPZ C	2AUPZTF101JE	1	376331014T
C5260	UPZ C	2AUPZTF101JE	1	376331014T
C5261	UPZ C	2AUPZTF101JE	1	376331014T
C5262	UPZ C	2AUPZTF101JE	1	376331014T
C5263	UPZ C	2AUPZTF101JE	1	376331014T
C5264	UPZ C	2AUPZTF101JE	1	376331014T
C5265	UPZ C	2AUPZTF101JE	1	376331014T
C5266	UPZ C	2AUPZTF101JE	1	376331014T
C5267	UPZ C	2AUPZTF101JE	1	376331014T
C5268	UPZ C	2AUPZTF101JE	1	376331014T
C5269	UPZ C	2AUPZTF101JE	1	376331014T
C5270	MKT C	B32529C0102J289	1	376491024T
C5271	MKT C	B32529C0102J289	1	376491024T
C5272	MKT C	B32529C0102J289	1	376491024T
C5273	MKT C	B32529C0102J289	1	376491024T
C5274	MKT C	B32529C0102J289	1	376491024T
C5275	MKT C	B32529C0102J289	1	376491024T
C5276	MKT C	B32529C0102J289	1	376491024T
C5277	MKT C	B32529C0102J289	1	376491024T
C5278	MKT C	B32529C0102J289	1	376491024T
C5279	MKT C	B32529C0102J289	1	376491024T
C5281	TF C	ECQ-V50V-104J	1	374721044T
C5282	TF C	ECQ-V50V-104J	1	374721044T

C5283	TF C	ECQ-V50V-104J	1	374721044T
C5284	TF C	ECQ-V50V-104J	1	374721044T
C5285	TF C	ECQ-V50V-104J	1	374721044T
C5286	TF C	ECQ-V50V-104J	1	374721044T
C5300	UTSP C	CE04W25V-100M(UTSP)	1	397551017T
C5301	UTSP C	CE04W25V-100M(UTSP)	1	397551017T
C5302	UTSP C	CE04W25V-100M(UTSP)	1	397551017T
C5303	UTSP C	CE04W25V-100M(UTSP)	1	397551017T
C5304	UTSP C	CE04W25V-100M(UTSP)	1	397551017T
C5305	UTSP C	CE04W25V-100M(UTSP)	1	397551017T
C5306	UTSP C	CE04W25V-100M(UTSP)	1	397551017T
C5307	UTSP C	CE04W25V-100M(UTSP)	1	397551017T
C5308	UTSP C	CE04W25V-100M(UTSP)	1	397551017T
C5309	UTSP C	CE04W25V-100M(UTSP)	1	397551017T
C5310	UTSP C	CE04W25V-100M(UTSP)	1	397551017T
C5311	UTSP C	CE04W25V-100M(UTSP)	1	397551017T
C5312	UTSP C	CE04W25V-100M(UTSP)	1	397551017T
C5313	UTSP C	CE04W25V-100M(UTSP)	1	397551017T
C5314	UTSP C	CE04W25V-100M(UTSP)	1	397551017T
C5315	UTSP C	CE04W25V-100M(UTSP)	1	397551017T
C5316	UTSP C	CE04W25V-100M(UTSP)	1	397551017T
C5317	UTSP C	CE04W25V-100M(UTSP)	1	397551017T
C5318	UTSP C	CE04W25V-100M(UTSP)	1	397551017T
C5319	UTSP C	CE04W25V-100M(UTSP)	1	397551017T
C5331	UTSP C	CE04W25V-100M(UTSP)	1	397551017T
C5341	UTSP C	CE04W25V-100M(UTSP)	1	397551017T
C5401	TF C	ECQ-V50V-104J	1	374721044T
C5411	TF C	ECQ-V50V-104J	1	374721044T
C5421	TF C	ECQ-V50V-104J	1	374721044T
C5431	TF C	ECQ-V50V-104J	1	374721044T
C5451	UPZ C	2AUPZTF101JE	1	376331014T
C5461	UPZ C	2AUPZTF101JE	1	376331014T
C5471	MKT C	B32529C0102J289	1	376491024T

[RESISTOR]					
R5000	METAL R	RNU1WCJ-0.22	1	453632294T	
R5001	CARBON R	R16J-270	1	417342714T	
R5002	CARBON R	R16J-330	1	417343314T	
R5003	METAL R	RNU1WCJ-0.22	1	453632294T	
R5005	CARBON R	R16J-330	1	417343314T	
R5011	CARBON R	R16J-100K	1	417341044T	
R5017	METAL R	RNU1/2WCJ-2.2	1	453530224T	
R5019	CARBON R	R16J-330	1	417343314T	
R5020	METAL R	RNU1/2WCJ-2.2	1	453530224T	
R5021	CARBON R	R16J-10K	1	417341034T	
R5022	CARBON R	R16J-330	1	417343314T	
R5027	METAL R	RNU1/2WCJ-0.22	1	453532294T	
R5028	METAL R	RNU1/2WCJ-0.22	1	453532294T	
R5030	METAL R	RNU1/2WCJ-0.22	1	453532294T	
R5031	CARBON R	R16J-10K	1	417341034T	
R5041	CARBON R	R16J-270	1	417342714T	
R5051	CARBON R	R16J-270	1	417342714T	
R5061	CARBON R	R16J-100	1	417341014T	
R5071	CARBON R	R16J-100	1	417341014T	
R5081	CARBON R	R16J-2.2K	1	417342224T	
R5091	CARBON R	R16J-2.2K	1	417342224T	
R5092	METAL R	RNU1WCJ-0.22	1	453632294T	
R5093	METAL R	RNU1WCJ-0.22	1	453632294T	
R5100	CARBON R	R16J-270	1	417342714T	
R5101	CARBON R	R16J-270	1	417342714T	
R5102	CARBON R	R16J-270	1	417342714T	
R5103	CARBON R	R16J-270	1	417342714T	
R5104	CARBON R	R16J-270	1	417342714T	
R5105	CARBON R	R16J-270	1	417342714T	
R5106	CARBON R	R16J-270	1	417342714T	
R5107	CARBON R	R16J-270	1	417342714T	
R5108	CARBON R	R16J-270	1	417342714T	



R5109	CARBON R	R16J-270	1	417342714T
R5110	CARBON R	R16J-100K	1	417341044T
R5111	CARBON R	R16J-100K	1	417341044T
R5112	CARBON R	R16J-100K	1	417341044T
R5113	CARBON R	R16J-100K	1	417341044T
R5114	CARBON R	R16J-100K	1	417341044T
R5115	CARBON R	R16J-100K	1	417341044T
R5116	CARBON R	R16J-100K	1	417341044T
R5117	CARBON R	R16J-100K	1	417341044T
R5118	CARBON R	R16J-100K	1	417341044T
R5119	CARBON R	R16J-100K	1	417341044T
R5120	CARBON R	R16J-10K	1	417341034T
R5121	CARBON R	R16J-10K	1	417341034T
R5122	CARBON R	R16J-10K	1	417341034T
R5123	CARBON R	R16J-10K	1	417341034T
R5124	CARBON R	R16J-10K	1	417341034T
R5125	CARBON R	R16J-10K	1	417341034T
R5126	CARBON R	R16J-10K	1	417341034T
R5127	CARBON R	R16J-10K	1	417341034T
R5128	CARBON R	R16J-10K	1	417341034T
R5129	CARBON R	R16J-10K	1	417341034T
R5130	CARBON R	R16J-10K	1	417341034T
R5131	CARBON R	R16J-10K	1	417341034T
R5132	CARBON R	R16J-10K	1	417341034T
R5133	CARBON R	R16J-10K	1	417341034T
R5134	CARBON R	R16J-10K	1	417341034T
R5135	CARBON R	R16J-10K	1	417341034T
R5136	CARBON R	R16J-10K	1	417341034T
R5137	CARBON R	R16J-10K	1	417341034T
R5138	CARBON R	R16J-10K	1	417341034T
R5139	CARBON R	R16J-10K	1	417341034T
R5140	CARBON R	R16J-270	1	417342714T
R5141	CARBON R	R16J-270	1	417342714T

R5142	CARBON R	R16J-270	1	417342714T
R5143	CARBON R	R16J-270	1	417342714T
R5144	CARBON R	R16J-270	1	417342714T
R5145	CARBON R	R16J-270	1	417342714T
R5146	CARBON R	R16J-270	1	417342714T
R5147	CARBON R	R16J-270	1	417342714T
R5148	CARBON R	R16J-270	1	417342714T
R5149	CARBON R	R16J-270	1	417342714T
R5150	CARBON R	R16J-270	1	417342714T
R5151	CARBON R	R16J-270	1	417342714T
R5152	CARBON R	R16J-270	1	417342714T
R5153	CARBON R	R16J-270	1	417342714T
R5154	CARBON R	R16J-270	1	417342714T
R5155	CARBON R	R16J-270	1	417342714T
R5156	CARBON R	R16J-270	1	417342714T
R5157	CARBON R	R16J-270	1	417342714T
R5158	CARBON R	R16J-270	1	417342714T
R5159	CARBON R	R16J-270	1	417342714T
R5160	CARBON R	R16J-100	1	417341014T
R5161	CARBON R	R16J-100	1	417341014T
R5162	CARBON R	R16J-100	1	417341014T
R5163	CARBON R	R16J-100	1	417341014T
R5164	CARBON R	R16J-100	1	417341014T
R5165	CARBON R	R16J-100	1	417341014T
R5166	CARBON R	R16J-100	1	417341014T
R5167	CARBON R	R16J-100	1	417341014T
R5168	CARBON R	R16J-100	1	417341014T
R5169	CARBON R	R16J-100	1	417341014T
R5170	CARBON R	R16J-100	1	417341014T
R5171	CARBON R	R16J-100	1	417341014T
R5172	CARBON R	R16J-100	1	417341014T
R5173	CARBON R	R16J-100	1	417341014T
R5174	CARBON R	R16J-100	1	417341014T

R5175	CARBON R	R16J-100	1	417341014T
R5176	CARBON R	R16J-100	1	417341014T
R5177	CARBON R	R16J-100	1	417341014T
R5178	CARBON R	R16J-100	1	417341014T
R5179	CARBON R	R16J-100	1	417341014T
R5180	CARBON R	R16J-2.2K	1	417342224T
R5181	CARBON R	R16J-2.2K	1	417342224T
R5182	CARBON R	R16J-2.2K	1	417342224T
R5183	CARBON R	R16J-2.2K	1	417342224T
R5184	CARBON R	R16J-2.2K	1	417342224T
R5185	CARBON R	R16J-2.2K	1	417342224T
R5186	CARBON R	R16J-2.2K	1	417342224T
R5187	CARBON R	R16J-2.2K	1	417342224T
R5188	CARBON R	R16J-2.2K	1	417342224T
R5189	CARBON R	R16J-2.2K	1	417342224T
R5190	CARBON R	R16J-2.2K	1	417342224T
R5191	CARBON R	R16J-2.2K	1	417342224T
R5192	CARBON R	R16J-2.2K	1	417342224T
R5193	CARBON R	R16J-2.2K	1	417342224T
R5194	CARBON R	R16J-2.2K	1	417342224T
R5195	CARBON R	R16J-2.2K	1	417342224T
R5196	CARBON R	R16J-2.2K	1	417342224T
R5197	CARBON R	R16J-2.2K	1	417342224T
R5198	CARBON R	R16J-2.2K	1	417342224T
R5199	CARBON R	R16J-2.2K	1	417342224T
R5200	CARBON R	R16J-2.2K	1	417342224T
R5201	CARBON R	R16J-2.2K	1	417342224T
R5202	CARBON R	R16J-2.2K	1	417342224T
R5203	CARBON R	R16J-2.2K	1	417342224T
R5204	CARBON R	R16J-2.2K	1	417342224T
R5205	CARBON R	R16J-2.2K	1	417342224T
R5206	CARBON R	R16J-2.2K	1	417342224T
R5207	CARBON R	R16J-2.2K	1	417342224T

R5208	CARBON R	R16J-2.2K	1	417342224T
R5209	CARBON R	R16J-2.2K	1	417342224T
R5210	CARBON R	R16J-2.2K	1	417342224T
R5211	CARBON R	R16J-2.2K	1	417342224T
R5212	CARBON R	R16J-2.2K	1	417342224T
R5213	CARBON R	R16J-2.2K	1	417342224T
R5214	CARBON R	R16J-2.2K	1	417342224T
R5215	CARBON R	R16J-2.2K	1	417342224T
R5216	CARBON R	R16J-2.2K	1	417342224T
R5217	CARBON R	R16J-2.2K	1	417342224T
R5218	CARBON R	R16J-2.2K	1	417342224T
R5219	CARBON R	R16J-2.2K	1	417342224T
R5230	CARBON R	R16J-220K	1	417342244T
R5231	CARBON R	R16J-220K	1	417342244T
R5232	CARBON R	R16J-220K	1	417342244T
R5233	CARBON R	R16J-220K	1	417342244T
R5234	CARBON R	R16J-220K	1	417342244T
R5235	CARBON R	R16J-220K	1	417342244T
R5236	CARBON R	R16J-220K	1	417342244T
R5237	CARBON R	R16J-220K	1	417342244T
R5238	CARBON R	R16J-220K	1	417342244T
R5239	CARBON R	R16J-220K	1	417342244T
R5240	CARBON R	R16J-220K	1	417342244T
R5241	CARBON R	R16J-220K	1	417342244T
R5242	CARBON R	R16J-220K	1	417342244T
R5243	CARBON R	R16J-220K	1	417342244T
R5244	CARBON R	R16J-220K	1	417342244T
R5245	CARBON R	R16J-220K	1	417342244T
R5246	CARBON R	R16J-220K	1	417342244T
R5247	CARBON R	R16J-220K	1	417342244T
R5248	CARBON R	R16J-220K	1	417342244T
R5249	CARBON R	R16J-220K	1	417342244T
R5250	CARBON R	R16J-100	1	417341014T

R5251	CARBON R	R16J-100	1	417341014T
R5252	CARBON R	R16J-100	1	417341014T
R5253	CARBON R	R16J-100	1	417341014T
R5254	CARBON R	R16J-100	1	417341014T
R5255	CARBON R	R16J-100	1	417341014T
R5256	CARBON R	R16J-100	1	417341014T
R5257	CARBON R	R16J-100	1	417341014T
R5258	CARBON R	R16J-100	1	417341014T
R5259	CARBON R	R16J-100	1	417341014T
R5260	CARBON R	R16J-100	1	417341014T
R5261	CARBON R	R16J-100	1	417341014T
R5262	CARBON R	R16J-100	1	417341014T
R5263	CARBON R	R16J-100	1	417341014T
R5264	CARBON R	R16J-100	1	417341014T
R5265	CARBON R	R16J-100	1	417341014T
R5266	CARBON R	R16J-100	1	417341014T
R5267	CARBON R	R16J-100	1	417341014T
R5268	CARBON R	R16J-100	1	417341014T
R5269	CARBON R	R16J-100	1	417341014T
R5270	CARBON R	R16J-10K	1	417341034T
R5271	CARBON R	R16J-10K	1	417341034T
R5272	CARBON R	R16J-10K	1	417341034T
R5273	CARBON R	R16J-10K	1	417341034T
R5274	CARBON R	R16J-10K	1	417341034T
R5275	CARBON R	R16J-10K	1	417341034T
R5276	CARBON R	R16J-10K	1	417341034T
R5277	CARBON R	R16J-10K	1	417341034T
R5278	CARBON R	R16J-10K	1	417341034T
R5279	CARBON R	R16J-10K	1	417341034T
R5280	CARBON R	R16J-10K	1	417341034T
R5281	CARBON R	R16J-10K	1	417341034T
R5282	CARBON R	R16J-10K	1	417341034T
R5283	CARBON R	R16J-10K	1	417341034T

R5284	CARBON R	R16J-10K	1	417341034T
R5285	CARBON R	R16J-10K	1	417341034T
R5286	CARBON R	R16J-10K	1	417341034T
R5287	CARBON R	R16J-10K	1	417341034T
R5288	CARBON R	R16J-10K	1	417341034T
R5289	CARBON R	R16J-10K	1	417341034T
R5291	CARBON R	R16J-1K	1	417341024T
R5292	CARBON R	R16J-1K	1	417341024T
R5293	CARBON R	R16J-1K	1	417341024T
R5294	CARBON R	R16J-1K	1	417341024T
R5295	CARBON R	R16J-1K	1	417341024T
R5296	CARBON R	R16J-1K	1	417341024T
R5300	CARBON R	R16J-100	1	417341014T
R5301	CARBON R	R16J-100	1	417341014T
R5302	CARBON R	R16J-100	1	417341014T
R5303	CARBON R	R16J-100	1	417341014T
R5304	CARBON R	R16J-100	1	417341014T
R5305	CARBON R	R16J-100	1	417341014T
R5306	CARBON R	R16J-100	1	417341014T
R5307	CARBON R	R16J-100	1	417341014T
R5308	CARBON R	R16J-100	1	417341014T
R5309	CARBON R	R16J-100	1	417341014T
R5310	CARBON R	R16J-100	1	417341014T
R5311	CARBON R	R16J-100	1	417341014T
R5312	CARBON R	R16J-100	1	417341014T
R5313	CARBON R	R16J-100	1	417341014T
R5314	CARBON R	R16J-100	1	417341014T
R5315	CARBON R	R16J-100	1	417341014T
R5316	CARBON R	R16J-100	1	417341014T
R5317	CARBON R	R16J-100	1	417341014T
R5318	CARBON R	R16J-100	1	417341014T
R5319	CARBON R	R16J-100	1	417341014T
R5321	CARBON R	R16J-100K	1	417341044T

R5331	CARBON R	R16J-100	1	417341014T	
R5341	CARBON R	R16J-100	1	417341014T	
R5401	CARBON R	R16J-2.2K	1	417342224T	
R5411	CARBON R	R16J-2.2K	1	417342224T	
R5431	CARBON R	R16J-220K	1	417342244T	
R5441	CARBON R	R16J-220K	1	417342244T	
R5451	CARBON R	R16J-100	1	417341014T	
R5461	CARBON R	R16J-100	1	417341014T	
R5471	CARBON R	R16J-10K	1	417341034T	
R5481	CARBON R	R16J-10K	1	417341034T	
<b>[SW TRM]</b>					
F5000A	FUSE HOL	NSCT-1P2031	1	25052133T	
F5000B	FUSE HOL	NSCT-1P2031	1	25052133T	
F5001A	FUSE HOL	NSCT-1P2031	1	25052133T	
F5001B	FUSE HOL	NSCT-1P2031	1	25052133T	
JL2601A	WIRE HOL	NSCT-5P876	1	25051089	
JL4014A	WIRE HOL	NSCT-7P898	1	25051111	
JL5112B	WIRE TRAP	NPLG-5P588	1	25055626	
JL5113B	SOCKET	NSCT-9P101	1	25050273	
JL5114B	SOCKET	NSCT-3P95	1	25050267	
P001	PWB	BCTRM-0237	1	25140237C	N
P5000A	SOCKET AS	NSAS-20P1811	1	2009991171UL	N
P5001A	SOCKET AS	NSAS-16P1810	1	2009991170UL	N
P5002	PLUG	NPLG-8P122	1	25055138	
P5080	RETAINER	(BUS-P)	1	27142160	N
P5081	RETAINER	(BUS-P)	1	27142160	N
P5082	RETAINER	(BUS-P)	1	27142160	N
P5100	PLUG	NPLG-3P976	1	25056026	
P5101	PLUG	NPLG-3P976	1	25056026	
P5102	PLUG	NPLG-3P976	1	25056026	
P5103	PLUG	NPLG-3P976	1	25056026	
P5104	PLUG	NPLG-3P976	1	25056026	
P5105	PLUG	NPLG-3P976	1	25056026	

P5106	PLUG	NPLG-3P976	1	25056026	
P5107	PLUG	NPLG-3P976	1	25056026	
P5108	PLUG	NPLG-3P976	1	25056026	
P5109	PLUG	NPLG-3P976	1	25056026	
P5111	PLUG	NPLG-3P976	1	25056026	
P5120A	CRIMP AS	CRIMP SR805_1	1	20799169UL	
RL5100	RELAY	NRL-2P2A-DC12-178	1	25065664	
RL5101	RELAY	NRL-2P2A-DC12-178	1	25065664	
RL5102	RELAY	NRL-2P2A-DC12-178	1	25065664	
RL5103	RELAY	NRL-2P2A-DC12-178	1	25065664	
RL5104	RELAY	NRL-2P2A-DC12-178	1	25065664	
RL5105	RELAY	NRL-2P2A-DC12-178	1	25065664	
RL5106	RELAY	NRL-2P2A-DC12-178	1	25065664	
RL5107	RELAY	NRL-2P2A-DC12-178	1	25065664	
RL5108	RELAY	NRL-2P2A-DC12-178	1	25065664	
RL5109	RELAY	NRL-2P2A-DC12-178	1	25065664	
RL5111	RELAY	NRL-2P2A-DC12-178	1	25065664	
<b>[CHASSIS SCREW]</b>					
Q5007B	SCREW	3TTB+8B(3CM)SR	2	801637	
Q5012B	SCREW	3TTB+8B(3CM)SR	2	801637	
<b>DHC-80.1</b>					
<b>U003</b>	<b>U0030+U0031</b>	<b>BAASP-0202-1Q *</b>	<b>1</b>	<b>1B234502-1Q</b>	<b>N</b>
<b>U0030</b>	<b>AUDIO IN/OUT PC BOARD AS</b>	<b>BAASP-0202-1Q</b>	<b>1</b>	<b>1B2345202-1Q</b>	<b>N</b>
<b>U0031</b>	<b>VIDEO IN/OUT PC BOARD AS</b>	<b>BAVD-0203-1Q</b>	<b>1</b>	<b>1B2345203-1Q</b>	<b>N</b>
<b>CIRCUIT. NO.</b>	<b>PART NAME</b>	<b>DESCRIPTION</b>	<b>Q'TY</b>	<b>PART NO. (SN)</b>	<b>REMARKS</b>
<b>[TUNER UNIT]</b>					
U2700	REMO SENS	KSM-603TE2Q	1	24130018	
<b>[SEMI CONDUCTOR]</b>					
D2000	DIODE	D5SBA20	1	22380130	
D2000A	HEAT SINK	RAD-083	1	27160271	



D2000B	SCREW	3P+6FN(3BC)	1	82143006GR
D2001	C-DIODE	ISS352	1	223234R2
D2001 or	C-DIODE	ISS355	(1)	223269R2
D2001 or	C-DIODE	MA2J111	(1)	223279R2
D2001 or	C-DIODE	KDS4148U	(1)	223283R2
D2003	DIODE	RB070M-30	1	22380361R2
D2004	ZENER D	UDZS3.9B	1	224550390R2
D2005	DIODE	RL1N4003	1	22380260T
D2006	DIODE	RL1N4003	1	22380260T
D2007	DIODE	RL1N4003	1	22380260T
D2008	DIODE	RL1N4003	1	22380260T
D2009	ZENER D	UDZS3.9B	1	224550390R2
D2010	C-DIODE	ISS352	1	223234R2
D2010 or	C-DIODE	ISS355	(1)	223269R2
D2010 or	C-DIODE	MA2J111	(1)	223279R2
D2010 or	C-DIODE	KDS4148U	(1)	223283R2
D2011	C-DIODE	ISS352	1	223234R2
D2011 or	C-DIODE	ISS355	(1)	223269R2
D2011 or	C-DIODE	MA2J111	(1)	223279R2
D2011 or	C-DIODE	KDS4148U	(1)	223283R2
D2012	DIODE	RL1N4003	1	22380260T
D2013	DIODE	RL1N4003	1	22380260T
D2014	ZENER D	UDZS5.1B	1	224550510R2
D2015	C-DIODE	ISS352	1	223234R2
D2015 or	C-DIODE	ISS355	(1)	223269R2
D2015 or	C-DIODE	MA2J111	(1)	223279R2
D2015 or	C-DIODE	KDS4148U	(1)	223283R2
D2700	SPCF D	SIR-34ST3F	1	225456
D2701	SPCF D	SIR-34ST3F	1	225456
D2702	C-DIODE	ISS352	1	223234R2
D2702 or	C-DIODE	ISS355	(1)	223269R2
D2702 or	C-DIODE	MA2J111	(1)	223279R2
D2702 or	C-DIODE	KDS4148U	(1)	223283R2

D2703	C-DIODE	ISS352	1	223234R2
D2703 or	C-DIODE	ISS355	(1)	223269R2
D2703 or	C-DIODE	MA2J111	(1)	223279R2
D2703 or	C-DIODE	KDS4148U	(1)	223283R2
D2704	C-DIODE	ISS352	1	223234R2
D2704 or	C-DIODE	ISS355	(1)	223269R2
D2704 or	C-DIODE	MA2J111	(1)	223279R2
D2704 or	C-DIODE	KDS4148U	(1)	223283R2
D2705	C-DIODE	ISS352	1	223234R2
D2705 or	C-DIODE	ISS355	(1)	223269R2
D2705 or	C-DIODE	MA2J111	(1)	223279R2
D2705 or	C-DIODE	KDS4148U	(1)	223283R2
D2706	C-DIODE	ISS352	1	223234R2
D2706 or	C-DIODE	ISS355	(1)	223269R2
D2706 or	C-DIODE	MA2J111	(1)	223279R2
D2706 or	C-DIODE	KDS4148U	(1)	223283R2
D2707	C-DIODE	ISS352	1	223234R2
D2707 or	C-DIODE	ISS355	(1)	223269R2
D2707 or	C-DIODE	MA2J111	(1)	223279R2
D2707 or	C-DIODE	KDS4148U	(1)	223283R2
D2708	DIODE	RL1N4003	1	22380260T
D4005	ZENER D	UDZS7.5B	1	224550750R2
D4006	ZENER D	UDZS7.5B	1	224550750R2
D4007	C-DIODE	ISS352	1	223234R2
D4007 or	C-DIODE	ISS355	(1)	223269R2
D4007 or	C-DIODE	MA2J111	(1)	223279R2
D4007 or	C-DIODE	KDS4148U	(1)	223283R2
D4008	C-DIODE	ISS352	1	223234R2
D4008 or	C-DIODE	ISS355	(1)	223269R2
D4008 or	C-DIODE	MA2J111	(1)	223279R2
D4008 or	C-DIODE	KDS4148U	(1)	223283R2
D4019	C-DIODE	ISS352	1	223234R2
D4019 or	C-DIODE	ISS355	(1)	223269R2

D4019 or	C-DIODE	MA2J111	(1)	223279R2
D4019 or	C-DIODE	KDS4148U	(1)	223283R2
D4401	ZENER D	UDZS9.1B	1	224550910R2
D4402	ZENER D	UDZS9.1B	1	224550910R2
D4403	ZENER D	UDZS3.3B	1	224550330R2
D4404	C-DIODE	ISS352	1	223234R2
D4404 or	C-DIODE	ISS355	(1)	223269R2
D4404 or	C-DIODE	MA2J111	(1)	223279R2
D4404 or	C-DIODE	KDS4148U	(1)	223283R2
D4405	C-DIODE	ISS352	1	223234R2
D4405 or	C-DIODE	ISS355	(1)	223269R2
D4405 or	C-DIODE	MA2J111	(1)	223279R2
D4405 or	C-DIODE	KDS4148U	(1)	223283R2
D4431	C-DIODE	ISS352	1	223234R2
D4431 or	C-DIODE	ISS355	(1)	223269R2
D4431 or	C-DIODE	MA2J111	(1)	223279R2
D4431 or	C-DIODE	KDS4148U	(1)	223283R2
D4432	C-DIODE	ISS352	1	223234R2
D4432 or	C-DIODE	ISS355	(1)	223269R2
D4432 or	C-DIODE	MA2J111	(1)	223279R2
D4432 or	C-DIODE	KDS4148U	(1)	223283R2
D4433	C-DIODE	ISS352	1	223234R2
D4433 or	C-DIODE	ISS355	(1)	223269R2
D4433 or	C-DIODE	MA2J111	(1)	223279R2
D4433 or	C-DIODE	KDS4148U	(1)	223283R2
D4434	C-DIODE	ISS352	1	223234R2
D4434 or	C-DIODE	ISS355	(1)	223269R2
D4434 or	C-DIODE	MA2J111	(1)	223279R2
D4434 or	C-DIODE	KDS4148U	(1)	223283R2
D4435	C-DIODE	ISS352	1	223234R2
D4435 or	C-DIODE	ISS355	(1)	223269R2
D4435 or	C-DIODE	MA2J111	(1)	223279R2
D4435 or	C-DIODE	KDS4148U	(1)	223283R2

D4436	C-DIODE	ISS352	1	223234R2
D4436 or	C-DIODE	ISS355	(1)	223269R2
D4436 or	C-DIODE	MA2J111	(1)	223279R2
D4436 or	C-DIODE	KDS4148U	(1)	223283R2
D4441	C-DIODE	ISS352	1	223234R2
D4441 or	C-DIODE	ISS355	(1)	223269R2
D4441 or	C-DIODE	MA2J111	(1)	223279R2
D4441 or	C-DIODE	KDS4148U	(1)	223283R2
D4442	C-DIODE	ISS352	1	223234R2
D4442 or	C-DIODE	ISS355	(1)	223269R2
D4442 or	C-DIODE	MA2J111	(1)	223279R2
D4442 or	C-DIODE	KDS4148U	(1)	223283R2
D4443	C-DIODE	ISS352	1	223234R2
D4443 or	C-DIODE	ISS355	(1)	223269R2
D4443 or	C-DIODE	MA2J111	(1)	223279R2
D4443 or	C-DIODE	KDS4148U	(1)	223283R2
D4444	C-DIODE	ISS352	1	223234R2
D4444 or	C-DIODE	ISS355	(1)	223269R2
D4444 or	C-DIODE	MA2J111	(1)	223279R2
D4444 or	C-DIODE	KDS4148U	(1)	223283R2
D4445	C-DIODE	ISS352	1	223234R2
D4445 or	C-DIODE	ISS355	(1)	223269R2
D4445 or	C-DIODE	MA2J111	(1)	223279R2
D4445 or	C-DIODE	KDS4148U	(1)	223283R2
Q2000	IC	78M05(NJM78M05FA)	1	222780055JRC
Q2001	TR	2SC3851-Y	1	2203384
Q2001 or	TR	2SD2394-E	(1)	2202705
Q2002	IC	SI8008TM	1	22242323R2
Q2003	TR	KRC102S	1	2216190R2
Q2003 or	TR	RN1402	(1)	2214470R2
Q2004	TR	2SC2712-GR	1	2213145R2
Q2005	TR	2SA1162-GR	1	2214375R2
Q2006	TR	2SA1488-Y	1	2203394

Q2006 or	TR	2SB1565-E	(1)	2202715	
Q2007	TR	2SD1468S-R	1	2215024T	
Q2008	IC	79M05L(NJM79M05FA)	1	222790055JRC	
Q2009	TR	2SC2712-GR	1	2213145R2	
Q2100	IC	NJW1325	1	22242596R3	N
Q2100A	SHEET	(VD)	1	29096106	N
Q2100B	RETAINER	(VD)	1	27142169	N
Q2500	IC	NE5532APSR	1	22242283R2	
Q2501	IC	NJM2505AF	1	22242490R2	NO USE from Mark K.
Q2502	IC	NJM2505AF	1	22242490R2	NO USE from Mark K.
Q2503	IC	NJM2505AF	1	22242490R2	
Q2700	TR	2SA854S-R	1	2217394T	
Q2700 or	TR	2SB1240-R	(1)	2213794T	
Q2701	TR	KRC102S	1	2216190R2	
Q2701 or	TR	RN1402	(1)	2214470R2	
Q2702	TR	2SA1162-GR	1	2214375R2	
Q2703	TR	KRC102S	1	2216190R2	
Q2703 or	TR	RN1402	(1)	2214470R2	
Q2704	TR	2SA1162-GR	1	2214375R2	
Q2705	TR	KRC102S	1	2216190R2	
Q2705 or	TR	RN1402	(1)	2214470R2	
Q2706	TR	KRA102S	1	2216220R2	
Q2706 or	TR	RN2402	(1)	2214530R2	
Q2707	PHT CP	PS2501AL-1	1	24120141R2	
Q2708	PHT CP	PS2501AL-1	1	24120141R2	
Q4008	IC	NE5532APSR	1	22242283R2	
Q4009	IC	NE5532APSR	1	22242283R2	
Q4010	IC	NE5532APSR	1	22242283R2	
Q4011	IC	NE5532APSR	1	22242283R2	
Q4041	IC	NE5532APSR	1	22242283R2	
Q4043	IC	TC4066BFT	1	22284066MR2TO	
Q4065	IC	CS3318-CQZR	1	22242404R2	
Q4066	IC	NJU7312AM	1	22242210R2	

Q4071	IC	NE5532APSR	1	22242283R2	
Q4072	IC	NJU7313AM	1	22242211R2	
Q4074	IC	CS3318-CQZR	1	22242404R2	
Q4076	IC	NE5532APSR	1	22242283R2	
Q4080	IC	NJU7312AM	1	22242210R2	
Q4081	IC	NE5532APSR	1	22242283R2	
Q4091	IC	NE5532APSR	1	22242283R2	
Q4101	IC	NE5532APSR	1	22242283R2	
Q4121	IC	NE5532APSR	1	22242283R2	
Q4131	IC	NE5532APSR	1	22242283R2	
Q4151	IC	NE5532APSR	1	22242283R2	
Q4152	IC	NE5532APSR	1	22242283R2	
Q4200	TR	2SC2235-Y(TPE6_F)	1	2211654T	
Q4201	TR	2SA965-Y(TPE6_F)	1	2211644T	
Q4221	IC	NE5532APSR	1	22242283R2	
Q4222	TR	RN1402	1	2214470R2	
Q4223	TR	RN2402	1	2214530R2	
Q4224	TR	RN1402	1	2214470R2	
Q4225	TR	RN2402	1	2214530R2	
Q4226	IC	NJW1112	1	22242597R2	N
Q4227	IC	NJW1112	1	22242597R2	N
Q4301	IC	NE5532APSR	1	22242283R2	
Q4341	IC	NE5532APSR	1	22242283R2	
Q4342	IC	NE5532APSR	1	22242283R2	
Q4371	IC	NE5532APSR	1	22242283R2	
Q4401	TR	2SC2712-GR	1	2213145R2	
Q4402	TR	2SA950-Y	1	2211504T	
Q4403	TR	2SA1162-GR	1	2214375R2	
Q4404	TR	2SC2120-Y	1	2211164T	
Q4420	TR	RN1402	1	2214470R2	
Q4421	TR	RN1402	1	2214470R2	
Q4422	TR	RN1402	1	2214470R2	
Q4423	TR	RN1402	1	2214470R2	

Q4424	TR		RN1402	1	2214470R2
Q4425	TR		RN1402	1	2214470R2
Q4441	IC		NE5532APSR	1	22242283R2
Q4442	TR		2SC2235-Y(TPE6_F)	1	2211654T
Q4443	TR		2SA965-Y(TPE6_F)	1	2211644T
Q4444	TR		2SC2235-Y(TPE6_F)	1	2211654T
Q4445	TR		2SA965-Y(TPE6_F)	1	2211644T
Q4446	TR		RN1402	1	2214470R2
Q4446 or	TR		KRC102S	( 1)	2216190R2
Q4461	IC		NJM4556AM	1	22241414R2
Q4466	TR		RN1441	1	2215410R2
Q4467	TR		RN1441	1	2215410R2
Q4468	TR		2SC2712-GR	1	2213145R2
Q4640	TR		RN1441	1	2215410R2
Q4641	TR		RN1441	1	2215410R2
Q4642	TR		RN1441	1	2215410R2
Q4643	TR		RN1441	1	2215410R2
Q4644	TR		RN1441	1	2215410R2
Q4645	TR		RN1441	1	2215410R2
Q4646	TR		RN1441	1	2215410R2
Q4647	TR		RN1441	1	2215410R2
Q4648	TR		RN1441	1	2215410R2
Q4741	TR		RN1441	1	2215410R2
Q4742	TR		RN1441	1	2215410R2
Q4800	TR		RN1441	1	2215410R2
Q4801	TR		RN1441	1	2215410R2
Q4802	TR		RN1441	1	2215410R2
Q4803	TR		RN1441	1	2215410R2
Q4804	TR		RN1441	1	2215410R2
Q4805	TR		RN1441	1	2215410R2
<b>[TRANS COIL]</b>					
L2000	CHOKE COIL		NCH-2541	1	231363K470A
L2000 or	COIL		0182-7310-470K-RB	( 1)	231389

L2100	CHOKE COIL	LBC2518T4R7M	1	231364M047R2
L2101	CHOKE COIL	LBC2518T4R7M	1	231364M047R2
L2500	CHOKE COIL	LBC2518T4R7M	1	231364M047R2
L2501	CHOKE COIL	BLM21PG221SN1	1	230949R2
L2502	CHOKE COIL	BLM21PG221SN1	1	230949R2
L2504	CHOKE COIL	BLM21PG221SN1	1	230949R2
L2506	EMIFIL	BK1608LM182-T	1	230958R1
L2507	EMIFIL	BK1608LM182-T	1	230958R1
L2508	EMIFIL	BK1608LM182-T	1	230958R1
L2509	EMIFIL	BK1608LM182-T	1	230958R1
L2510	EMIFIL	BK1608LM182-T	1	230958R1
L2511	EMIFIL	BK1608LM182-T	1	230958R1
L2512	EMIFIL	BK1608LM182-T	1	230958R1
L2513	EMIFIL	BK1608LM182-T	1	230958R1
L2514	EMIFIL	BK1608LM182-T	1	230958R1
L2515	EMIFIL	BK1608LM182-T	1	230958R1
L2516	EMIFIL	BK1608LM182-T	1	230958R1
L2517	EMIFIL	BK1608LM182-T	1	230958R1
L2518	EMIFIL	BK1608LM182-T	1	230958R1
L2519	EMIFIL	BK1608LM182-T	1	230958R1
L2520	EMIFIL	BK1608LM182-T	1	230958R1
L2521	EMIFIL	BK1608LM182-T	1	230958R1
L2522	EMIFIL	BK1608LM182-T	1	230958R1
L2523	EMIFIL	BK1608LM182-T	1	230958R1
L2700	EMIFIL	BK1608LM182-T	1	230958R1
L2701	EMIFIL	BK1608LM182-T	1	230958R1
L2702	EMIFIL	BK1608LM182-T	1	230958R1
L2703	EMIFIL	BK1608LM182-T	1	230958R1
<b>[CAPACITOR]</b>				
C2000	ELECT C	CE04W18V-10000M(VZ)	1	3945H1037S
C2002	VR C	CE04W16V-220M(VR)	1	394642217T
C2003	UTSP C	CE04W50V-10M(UTSP)	1	397581007T
C2004	VR C	CE04W16V-100M(VR)	1	394641017T



C2005	VR C	CE04W16V-470M(VR)	1	394644717T
C2006	VR C	CE04W25V-2200M(VR)	1	394652227S
C2007	TF C	ECQ-V50V-104J	1	374721044T
C2008	VR C	CE04W50V-22M(VR)	1	394682207T
C2009	VR C	CE04W16V-470M(VR)	1	394644717T
C2010	C-CERA C	CK725F1E-104Z1	1	332161040R1
C2012	TF C	ECQ-V50V-104J	1	374721044T
C2013	VR C	CE04W50V-22M(VR)	1	394682207T
C2014	VR C	CE04W16V-100M(VR)	1	394641017T
C2015	VR C	CE04W16V-220M(VR)	1	394642217T
C2016	UTSP C	CE04W50V-10M(UTSP)	1	397581007T
C2017	VR C	CE04W25V-2200M(VR)	1	394652227S
C2018	VR C	CE04W50V-4.7M(VR)	1	394680477T
C2101	C-CERA C	CK725F1A-105Z1	1	332181050R1
C2103	C-CERA C	CK725F1A-105Z1	1	332181050R1
C2105	C-CERA C	CK725B0J-225K	1	332092255R1
C2106	C-CERA C	CK725B1H-102K1	1	332101025R1
C2108	C-CERA C	CK725F1A-105Z1	1	332181050R1
C2110	C-CERA C	CK725F1A-105Z1	1	332181050R1
C2112	C-CERA C	CK725B0J-225K	1	332092255R1
C2114	C-CERA C	CK725F1A-105Z1	1	332181050R1
C2116	C-CERA C	CK725F1A-105Z1	1	332181050R1
C2118	C-CERA C	CK725B0J-225K	1	332092255R1
C2144	VR C	CE04W35V-47M(VR)	1	394664707T
C2145	VR C	CE04W35V-47M(VR)	1	394664707T
C2146	VR C	CE04W35V-47M(VR)	1	394664707T
C2148	C-CERA C	CK725F1E-104Z1	1	332161040R1
C2149	C-CERA C	CK725F1E-104Z1	1	332161040R1
C2150	C-CERA C	CK725F1E-104Z1	1	332161040R1
C2152	C-CERA C	CK725F1E-104Z1	1	332161040R1
C2153	C-CERA C	CK725F1E-104Z1	1	332161040R1
C2154	C-CERA C	CK725F1E-104Z1	1	332161040R1
C2155	VR C	CE04W35V-47M(VR)	1	394664707T

C2156	VR C	CE04W35V-47M(VR)	1	394664707T
C2157	VR C	CE04W35V-47M(VR)	1	394664707T
C2161	C-CERA C	CK725F1E-104Z1	1	332161040R1
C2162	VR C	CE04W35V-47M(VR)	1	394664707T
C2166	VR C	CE04W35V-47M(VR)	1	394664707T
C2167	C-CERA C	CK725F1E-104Z1	1	332161040R1
C2169	C-CERA C	CK725F1E-104Z1	1	332161040R1
C2170	VR C	CE04W50V-1M(VR)	1	394680107T
C2171	VR C	CE04W50V-1M(VR)	1	394680107T
C2172	C-CERA C	CK725F1E-104Z1	1	332161040R1
C2173	C-CERA C	CK725F1E-104Z1	1	332161040R1
C2174	VR C	CE04W50V-1M(VR)	1	394680107T
C2175	VR C	CE04W35V-47M(VR)	1	394664707T
C2176	C-CERA C	CK725F1E-104Z1	1	332161040R1
C2178	VR C	CE04W35V-47M(VR)	1	394664707T
C2179	C-CERA C	CK725F1A-105Z1	1	332181050R1
C2180	C-CERA C	CK725F1E-104Z1	1	332161040R1
C2182	C-CERA C	CK725B0J-225K	1	332092255R1
C2184	C-CERA C	CK725B0J-225K	1	332092255R1
C2185	C-CERA C	CK725B1H-102K1	1	332101025R1
C2186	VR C	CE04W35V-47M(VR)	1	394664707T
C2187	C-CERA C	CK725F1E-104Z1	1	332161040R1
C2189	C-CERA C	CK725F1A-105Z1	1	332181050R1
C2191	C-CERA C	CK725B0J-225K	1	332092255R1
C2193	C-CERA C	CK725B0J-225K	1	332092255R1
C2194	VR C	CE04W35V-47M(VR)	1	394664707T
C2195	VR C	CE04W35V-47M(VR)	1	394664707T
C2196	C-CERA C	CK725F1E-104Z1	1	332161040R1
C2197	C-CERA C	CK725F1E-104Z1	1	332161040R1
C2198	C-CERA C	CK725F1E-104Z1	1	332161040R1
C2199	VR C	CE04W35V-47M(VR)	1	394664707T
C2200	C-CERA C	CC725CH1H-151J1	1	342101514R1
C2201	C-CERA C	CC725CH1H-151J1	1	342101514R1

C2202	C-CERA C	CC725CH1H-151J1	1	342101514R1
C2203	C-CERA C	CK725B1H-102K1	1	332101025R1
C2205	C-CERA C	CK725F1A-105Z1	1	332181050R1
C2207	C-CERA C	CK725B0J-225K	1	332092255R1
C2209	C-CERA C	CK725B0J-225K	1	332092255R1
C2211	C-CERA C	CK725F1A-105Z1	1	332181050R1
C2213	C-CERA C	CK725B0J-225K	1	332092255R1
C2215	C-CERA C	CK725B0J-225K	1	332092255R1
C2216	C-CERA C	CK725B1H-102K1	1	332101025R1
C2217	C-CERA C	CC725CH1H-151J1	1	342101514R1
C2218	C-CERA C	CC725CH1H-151J1	1	342101514R1
C2219	C-CERA C	CC725CH1H-151J1	1	342101514R1
C2220	C-CERA C	CC725CH1H-151J1	1	342101514R1
C2221	C-CERA C	CK725B1H-102K1	1	332101025R1
C2224	VR C	CE04W50V-1M(VR)	1	394680107T
C2225	VR C	CE04W50V-4.7M(VR)	1	394680477T
C2226	VR C	CE04W50V-1M(VR)	1	394680107T
C2227	VR C	CE04W50V-1M(VR)	1	394680107T
C2228	VR C	CE04W50V-4.7M(VR)	1	394680477T
C2229	VR C	CE04W50V-4.7M(VR)	1	394680477T
C2231	C-CERA C	CK725B0J-225K	1	332092255R1
C2232	UTSP C	CE04W50V-10M(UTSP)	1	397581007T
C2233	UTSP C	CE04W50V-10M(UTSP)	1	397581007T
C2237	C-CERA C	CK725B0J-225K	1	332092255R1
C2238	C-CERA C	CK725B0J-225K	1	332092255R1
C2239	C-CERA C	CK725B0J-225K	1	332092255R1
C2240	C-CERA C	CK725B0J-225K	1	332092255R1
C2241	C-CERA C	CK725B0J-225K	1	332092255R1
C2242	C-CERA C	CK725B0J-225K	1	332092255R1
C2243	C-CERA C	CK725B0J-225K	1	332092255R1
C2244	C-CERA C	CK725B0J-225K	1	332092255R1
C2245	C-CERA C	CK725B0J-225K	1	332092255R1
C2246	C-CERA C	CK725B0J-225K	1	332092255R1

C2247	C-CERA C	CK725B0J-225K	1	332092255R1	
C2248	C-CERA C	CK725B0J-225K	1	332092255R1	
C2501	UTSP C	CE04W50V-10M(UTSP)	1	397581007T	
C2502	VR C	CE04W35V-100M(VR)	1	394661017T	
C2504	C-CERA C	CC725CH1H-471J1	1	342104714R1	
C2505	VR C	CE04W35V-100M(VR)	1	394661017T	
C2506	C-CERA C	CC725CH1H-471J1	1	342104714R1	
C2507	UTSP C	CE04W50V-10M(UTSP)	1	397581007T	
C2509	UTSP C	CE04W50V-10M(UTSP)	1	397581007T	NO USE from Mark K.
C2510	VR C	CE04W6.3V-470M(VR)	1	394624717T	NO USE from Mark K.
C2511	VR C	CE04W6.3V-470M(VR)	1	394624717T	NO USE from Mark K.
C2512	VR C	CE04W16V-100M(VR)	1	394641017T	NO USE from Mark K.
C2513	C-CERA C	CK725F1E-104Z1	1	332161040R1	NO USE from Mark K.
C2514	C-CERA C	CK725B1H-102K1	1	332101025R1	
C2515	C-CERA C	CK725B1H-102K1	1	332101025R1	
C2516	UTSP C	CE04W50V-10M(UTSP)	1	397581007T	NO USE from Mark K.
C2517	VR C	CE04W6.3V-470M(VR)	1	394624717T	NO USE from Mark K.
C2518	VR C	CE04W6.3V-470M(VR)	1	394624717T	NO USE from Mark K.
C2519	VR C	CE04W16V-100M(VR)	1	394641017T	NO USE from Mark K.
C2520	C-CERA C	CK725F1E-104Z1	1	332161040R1	NO USE from Mark K.
C2521	C-CERA C	CK725B1H-102K1	1	332101025R1	
C2522	C-CERA C	CC725CH1H-470J1	1	342104704R1	
C2523	UTSP C	CE04W50V-10M(UTSP)	1	397581007T	
C2524	VR C	CE04W6.3V-470M(VR)	1	394624717T	
C2525	VR C	CE04W6.3V-470M(VR)	1	394624717T	
C2526	C-CERA C	CK725B1H-102K1	1	332101025R1	
C2527	C-CERA C	CC725CH1H-470J1	1	342104704R1	
C2528	VR C	CE04W16V-100M(VR)	1	394641017T	
C2529	C-CERA C	CK725F1E-104Z1	1	332161040R1	
C2530	C-CERA C	CK725B1H-102K1	1	332101025R1	
C2531	C-CERA C	CK725F1E-104Z1	1	332161040R1	
C2532	C-CERA C	CC725CH1H-470J1	1	342104704R1	
C2533	C-CERA C	CC725CH1H-101J1	1	342101014R1	

C2534	UTSP C	CE04W50V-10M(UTSP)	1	397581007T	
C2535	C-CERA C	CC725CH1H-101J1	1	342101014R1	
C2536	UTSP C	CE04W50V-10M(UTSP)	1	397581007T	
C2537	C-CERA C	CC725CH1H-101J1	1	342101014R1	
C2538	C-CERA C	CC725CH1H-101J1	1	342101014R1	
C2539	C-CERA C	CK725F1E-104Z1	1	332161040R1	
C2540	C-CERA C	CC725CH1H-470J1	1	342104704R1	NO USE from Mark K.
C2541	C-CERA C	CC725CH1H-470J1	1	342104704R1	NO USE from Mark K.
C2542	C-CERA C	CC725CH1H-470J1	1	342104704R1	NO USE from Mark K.
C2543	C-CERA C	CC725CH1H-470J1	1	342104704R1	NO USE from Mark K.
C2544	C-CERA C	CC725CH1H-470J1	1	342104704R1	
C2545	C-CERA C	CC725CH1H-470J1	1	342104704R1	
C2546	C-CERA C	CC725CH1H-221J1	1	342102214R1	
C2547	C-CERA C	CC725CH1H-221J1	1	342102214R1	
C2700	VR C	CE04W6.3V-220M(VR)	1	394622217T	
C2701	C-CERA C	CK725B1H-102K1	1	332101025R1	
C2702	C-CERA C	CC725CH1H-101J1	1	342101014R1	
C2704	C-CERA C	CC725CH1H-101J1	1	342101014R1	
C2705	C-CERA C	CK725F1E-104Z1	1	332161040R1	
C2707	C-CERA C	CC725CH1H-101J1	1	342101014R1	
C2708	C-CERA C	CC725CH1H-101J1	1	342101014R1	
C4001	UPZ C	2AUPZTF221JE	1	376332214T	
C4002	UPZ C	2AUPZTF221JE	1	376332214T	
C4023	MKT C	B32529C0102J289	1	376491024T	
C4031	UTSP C	CE04W50V-100M(UTSP)	1	397581017T	
C4032	UTSP C	CE04W50V-100M(UTSP)	1	397581017T	
C4041	UPZ C	2AUPZTF221JE	1	376332214T	
C4042	UPZ C	2AUPZTF221JE	1	376332214T	
C4043	UTSP C	CE04W50V 47M(UTSP)	1	397584707T	
C4044	UTSP C	CE04W50V 47M(UTSP)	1	397584707T	
C4045	UTSP C	CE04W50V-100M(UTSP)	1	397581017T	
C4046	UTSP C	CE04W50V-100M(UTSP)	1	397581017T	
C4060	MKT C	B32529C0102J289	1	376491024T	

C4061	C-CERA C	CC725CH1H-221J1	1	342102214R1
C4062	C-CERA C	CC725CH1H-221J1	1	342102214R1
C4071	C-CERA C	CC725CH1H-221J1	1	342102214R1
C4072	C-CERA C	CC725CH1H-221J1	1	342102214R1
C4073	UTSP C	CE04W50V 47M(UTSP)	1	397584707T
C4074	UTSP C	CE04W50V 47M(UTSP)	1	397584707T
C4075	UTSP C	CE04W50V-100M(UTSP)	1	397581017T
C4076	UTSP C	CE04W50V-100M(UTSP)	1	397581017T
C4080	MKT C	B32529C0102J289	1	376491024T
C4081	C-CERA C	CC725CH1H-221J1	1	342102214R1
C4082	C-CERA C	CC725CH1H-221J1	1	342102214R1
C4083	UTSP C	CE04W50V 47M(UTSP)	1	397584707T
C4084	UTSP C	CE04W50V 47M(UTSP)	1	397584707T
C4090	MKT C	B32529C0102J289	1	376491024T
C4091	C-CERA C	CC725CH1H-221J1	1	342102214R1
C4092	C-CERA C	CC725CH1H-221J1	1	342102214R1
C4093	UTSP C	CE04W50V 47M(UTSP)	1	397584707T
C4094	UTSP C	CE04W50V 47M(UTSP)	1	397584707T
C4101	C-CERA C	CC725CH1H-221J1	1	342102214R1
C4102	C-CERA C	CC725CH1H-221J1	1	342102214R1
C4103	UTSP C	CE04W50V 47M(UTSP)	1	397584707T
C4104	UTSP C	CE04W50V 47M(UTSP)	1	397584707T
C4110	MKT C	B32529C0102J289	1	376491024T
C4111	C-CERA C	CC725CH1H-221J1	1	342102214R1
C4112	C-CERA C	CC725CH1H-221J1	1	342102214R1
C4121	C-CERA C	CC725CH1H-221J1	1	342102214R1
C4122	C-CERA C	CC725CH1H-221J1	1	342102214R1
C4123	UTSP C	CE04W50V 47M(UTSP)	1	397584707T
C4124	UTSP C	CE04W50V 47M(UTSP)	1	397584707T
C4131	UPZ C	2AUPZTF221JE	1	376332214T
C4132	UPZ C	2AUPZTF221JE	1	376332214T
C4133	UTSP C	CE04W50V 47M(UTSP)	1	397584707T
C4134	UTSP C	CE04W50V 47M(UTSP)	1	397584707T

C4135	UTSP C	CE04W50V-100M(UTSP)	1	397581017T
C4136	UTSP C	CE04W50V-100M(UTSP)	1	397581017T
C4151	UTSP C	CE04W50V 47M(UTSP)	1	397584707T
C4152	UTSP C	CE04W50V 47M(UTSP)	1	397584707T
C4153	UTSP C	CE04W50V 47M(UTSP)	1	397584707T
C4154	UTSP C	CE04W50V 47M(UTSP)	1	397584707T
C4155	UTSP C	CE04W50V 47M(UTSP)	1	397584707T
C4156	UTSP C	CE04W50V 47M(UTSP)	1	397584707T
C4157	UTSP C	CE04W50V 47M(UTSP)	1	397584707T
C4158	UTSP C	CE04W50V 47M(UTSP)	1	397584707T
C4200	UTSP C	CE04W50V-10M(UTSP)	1	397581007T
C4201	UTSP C	CE04W25V-100M(UTSP)	1	397551017T
C4202	UTSP C	CE04W25V-100M(UTSP)	1	397551017T
C4203	UTSP C	CE04W50V-10M(UTSP)	1	397581007T
C4204	UTSP C	CE04W25V-100M(UTSP)	1	397551017T
C4205	UTSP C	CE04W25V-100M(UTSP)	1	397551017T
C4206	UTSP C	CE04W25V-220M(UTSP)	1	397552217T
C4207	UTSP C	CE04W25V-220M(UTSP)	1	397552217T
C4208	UTSP C	CE04W50V 47M(UTSP)	1	397584707T
C4209	UTSP C	CE04W50V 47M(UTSP)	1	397584707T
C4210	UTSP C	CE04W25V-220M(UTSP)	1	397552217T
C4211	UTSP C	CE04W25V-220M(UTSP)	1	397552217T
C4221	UTSP C	CE04W50V 47M(UTSP)	1	397584707T
C4222	UTSP C	CE04W50V 47M(UTSP)	1	397584707T
C4223	UTSP C	CE04W50V 47M(UTSP)	1	397584707T
C4224	UTSP C	CE04W50V 47M(UTSP)	1	397584707T
C4225	C-CERA C	CK725F1E-104Z1	1	332161040R1
C4226	C-CERA C	CK725F1E-104Z1	1	332161040R1
C4243	MKT C	B32529C0102J289	1	376491024T
C4244	C-CERA C	CC725CH1H-102J1	1	342101024R1
C4303	UTSP C	CE04W50V-1M(UTSP)	1	397580107T
C4304	C-CERA C	CK725F1C-224Z1	1	332172240R1
C4305	UTSP C	CE04W50V 47M(UTSP)	1	397584707T

C4345	UTSP C	CE04W50V 47M(UTSP)	1	397584707T
C4346	UTSP C	CE04W50V 47M(UTSP)	1	397584707T
C4373	UTSP C	CE04W50V 47M(UTSP)	1	397584707T
C4374	UTSP C	CE04W50V 47M(UTSP)	1	397584707T
C4384	UTSP C	CE04W50V 47M(UTSP)	1	397584707T
C4391	UTSP C	CE04W50V-100M(UTSP)	1	397581017T
C4392	UTSP C	CE04W50V-100M(UTSP)	1	397581017T
C4402	UTSP C	CE04W25V-100M(UTSP)	1	397551017T
C4403	UTSP C	CE04W25V-100M(UTSP)	1	397551017T
C4404	UTSP C	CE04W50V 47M(UTSP)	1	397584707T
C4405	UTSP C	CE04W50V 47M(UTSP)	1	397584707T
C4406	UTSP C	CE04W25V-220M(UTSP)	1	397552217T
C4407	UTSP C	CE04W25V-220M(UTSP)	1	397552217T
C4408	UTSP C	CE04W50V 47M(UTSP)	1	397584707T
C4409	UTSP C	CE04W50V-10M(UTSP)	1	397581007T
C4410	UTSP C	CE04W50V-10M(UTSP)	1	397581007T
C4411	UTSP C	CE04W50V-10M(UTSP)	1	397581007T
C4412	UTSP C	CE04W50V-10M(UTSP)	1	397581007T
C4417	C-CERA C	CC725CH1H-101J1	1	342101014R1
C4418	C-CERA C	CC725CH1H-101J1	1	342101014R1
C4419	C-CERA C	CC725CH1H-101J1	1	342101014R1
C4420	C-CERA C	CK725F1E-104Z1	1	332161040R1
C4421	C-CERA C	CK725F1E-104Z1	1	332161040R1
C4422	C-CERA C	CC725CH1H-101J1	1	342101014R1
C4423	C-CERA C	CC725CH1H-101J1	1	342101014R1
C4424	C-CERA C	CC725CH1H-101J1	1	342101014R1
C4431	TF C	ECQ-V50V-104J	1	374721044T
C4432	TF C	ECQ-V50V-104J	1	374721044T
C4433	TF C	ECQ-V50V-104J	1	374721044T
C4434	TF C	ECQ-V50V-104J	1	374721044T
C4435	TF C	ECQ-V50V-104J	1	374721044T
C4436	TF C	ECQ-V50V-104J	1	374721044T
C4441	UTSP C	CE04W50V 47M(UTSP)	1	397584707T



C4442	UTSP C	CE04W50V 47M(UTSP)	1	397584707T
C4443	C-CERA C	CC725CH1H-102J1	1	342101024R1
C4444	C-CERA C	CC725CH1H-102J1	1	342101024R1
C4445	TF C	ECQ-V50V-104J	1	374721044T
C4461	UTSP C	CE04W50V 47M(UTSP)	1	397584707T
C4462	UTSP C	CE04W50V 47M(UTSP)	1	397584707T
C4463	C-CERA C	CC725CH1H-101J1	1	342101014R1
C4464	C-CERA C	CC725CH1H-101J1	1	342101014R1
C4465	UTSP C	CE04W50V 47M(UTSP)	1	397584707T
C4466	UTSP C	CE04W50V 47M(UTSP)	1	397584707T
C4467	TF C	ECQ-V50V-104J	1	374721044T
C4550	C-CERA C	CK725B1H-103K1	1	332101035R1
C4552	TF C	ECQ-V50V-104J	1	374721044T
C4600	C-CERA C	CC725CH1H-221J1	1	342102214R1
C4601	C-CERA C	CC725CH1H-221J1	1	342102214R1
C4602	C-CERA C	CC725CH1H-221J1	1	342102214R1
C4603	C-CERA C	CC725CH1H-221J1	1	342102214R1
C4604	C-CERA C	CC725CH1H-221J1	1	342102214R1
C4605	C-CERA C	CC725CH1H-221J1	1	342102214R1
C4606	C-CERA C	CC725CH1H-221J1	1	342102214R1
C4607	C-CERA C	CC725CH1H-221J1	1	342102214R1
C4608	MKT C	B32529C0102J289	1	376491024T
C4610	UTSP C	CE04W50V 47M(UTSP)	1	397584707T
C4611	UTSP C	CE04W50V 47M(UTSP)	1	397584707T
C4612	UTSP C	CE04W50V 47M(UTSP)	1	397584707T
C4613	UTSP C	CE04W50V 47M(UTSP)	1	397584707T
C4614	UTSP C	CE04W50V 47M(UTSP)	1	397584707T
C4615	UTSP C	CE04W50V 47M(UTSP)	1	397584707T
C4616	UTSP C	CE04W50V 47M(UTSP)	1	397584707T
C4617	UTSP C	CE04W50V 47M(UTSP)	1	397584707T
C4620	UTSP C	CE04W50V 47M(UTSP)	1	397584707T
C4621	MKT C	B32529C0102J289	1	376491024T
C4633	UTSP C	CE04W50V 47M(UTSP)	1	397584707T

C4634	UTSP C	CE04W50V 47M(UTSP)	1	397584707T
C4635	UTSP C	CE04W50V 47M(UTSP)	1	397584707T
C4636	UTSP C	CE04W50V 47M(UTSP)	1	397584707T
C4637	UTSP C	CE04W50V 47M(UTSP)	1	397584707T
C4640	UTSP C	CE04W50V 47M(UTSP)	1	397584707T
C4641	UTSP C	CE04W50V 47M(UTSP)	1	397584707T
C4642	UTSP C	CE04W50V 47M(UTSP)	1	397584707T
C4643	UTSP C	CE04W50V 47M(UTSP)	1	397584707T
C4644	UTSP C	CE04W50V 47M(UTSP)	1	397584707T
C4645	UTSP C	CE04W50V 47M(UTSP)	1	397584707T
C4646	UTSP C	CE04W50V 47M(UTSP)	1	397584707T
C4647	UTSP C	CE04W50V-10M(UTSP)	1	397581007T
C4648	UTSP C	CE04W50V-10M(UTSP)	1	397581007T
C4650	C-CERA C	CC725CH1H-221J1	1	342102214R1
C4651	C-CERA C	CC725CH1H-221J1	1	342102214R1
C4652	C-CERA C	CC725CH1H-221J1	1	342102214R1
C4653	C-CERA C	CC725CH1H-221J1	1	342102214R1
C4654	C-CERA C	CC725CH1H-221J1	1	342102214R1
C4655	C-CERA C	CC725CH1H-221J1	1	342102214R1
C4656	C-CERA C	CC725CH1H-221J1	1	342102214R1
C4657	C-CERA C	CC725CH1H-221J1	1	342102214R1
C4658	C-CERA C	CC725CH1H-221J1	1	342102214R1
C4741	UTSP C	CE04W50V 47M(UTSP)	1	397584707T
C4742	UTSP C	CE04W50V 47M(UTSP)	1	397584707T
C4751	C-CERA C	CC725CH1H-221J1	1	342102214R1
C4752	C-CERA C	CC725CH1H-221J1	1	342102214R1
C4800	UTSP C	CE04W50V 47M(UTSP)	1	397584707T
C4801	UTSP C	CE04W50V 47M(UTSP)	1	397584707T
C4802	UTSP C	CE04W50V 47M(UTSP)	1	397584707T
C4803	UTSP C	CE04W50V 47M(UTSP)	1	397584707T
C4804	UTSP C	CE04W50V 47M(UTSP)	1	397584707T
C4805	UTSP C	CE04W50V 47M(UTSP)	1	397584707T
C4810	C-CERA C	CC725CH1H-221J1	1	342102214R1

C4811	C-CERA C	CC725CH1H-221J1	1	342102214R1
C4812	C-CERA C	CC725CH1H-221J1	1	342102214R1
C4813	C-CERA C	CC725CH1H-221J1	1	342102214R1
C4814	C-CERA C	CC725CH1H-221J1	1	342102214R1
C4815	C-CERA C	CC725CH1H-221J1	1	342102214R1
<b>[RESISTOR]</b>				
R2000	C-CARBON R	RN72K1J-222JE	1	435032224R1
R2001	METAL R	RNU1/2WCJ-0.22	1	453532294T
R2002	C-CARBON R	RN72K1J-472JE	1	435034724R1
R2003	C-CARBON R	RN72K1J-152JE	1	435031524R1
R2004	C-CARBON R	RN72K1J-221JE	1	435032214R1
R2005	C-CARBON R	RN72K1J-392JE	1	435033924R1
R2006	C-CARBON R	RN72K1J-102JE	1	435031024R1
R2007	C-CARBON R	RN72K1J-221JE	1	435032214R1
R2008	C-CARBON R	RN72K1J-222JE	1	435032224R1
R2009	C-CARBON R	RN72K1J-473JE	1	435034734R1
R2010	METAL R	RNU2WCJ-4.7	1	452730474F
R2011	METAL R	RNU2WCJ-4.7	1	452730474F
R2013	C-CARBON R	RN72K2E-015JE	1	435220154R1
R2014	METAL R	RNU1/2WCJ-0.22	1	453532294T
R2017	C-CARBON R	RN72K1J-472JE	1	435034724R1
R2018	C-CARBON R	RN72K1J-103JE	1	435031034R1
R2020	C-CARBON R	RN72K1J-222JE	1	435032224R1
R2024	C-CARBON R	RN72K1J-000JE	1	435030004R1
R2025	C-CARBON R	RN72K1J-000JE	1	435030004R1
R2026	C-CARBON R	RN72K1J-000JE	1	435030004R1
R2027	C-CARBON R	RN72K1J-000JE	1	435030004R1
R2028	C-CARBON R	RN72K1J-000JE	1	435030004R1
R2029	C-CARBON R	RN72K1J-000JE	1	435030004R1
R2030	C-CARBON R	RN72K1J-104JE	1	435031044R1
R2031	C-CARBON R	RN72K1J-562JE	1	435035624R1
R2100	C-CARBON R	RN72K1J-750JE	1	435037504R1
R2101	C-CARBON R	RN72K1J-750JE	1	435037504R1

R2102	C-CARBON R	RN72K1J-750JE	1	435037504R1
R2104	C-CARBON R	RN72K1J-750JE	1	435037504R1
R2105	C-CARBON R	RN72K1J-750JE	1	435037504R1
R2106	C-CARBON R	RN72K1J-750JE	1	435037504R1
R2107	C-CARBON R	RN72K1J-750JE	1	435037504R1
R2111	C-CARBON R	RN72K1J-750JE	1	435037504R1
R2112	C-CARBON R	RN72K1J-000JE	1	435030004R1
R2116	C-CARBON R	RN72K1J-750JE	1	435037504R1
R2117	C-CARBON R	RN72K1J-000JE	1	435030004R1
R2118	C-CARBON R	RN72K1J-000JE	1	435030004R1
R2119	C-CARBON R	RN72K1J-000JE	1	435030004R1
R2120	C-CARBON R	RN72K1J-000JE	1	435030004R1
R2121	C-CARBON R	RN72K1J-000JE	1	435030004R1
R2122	C-CARBON R	RN72K1J-750JE	1	435037504R1
R2123	C-CARBON R	RN72K1J-104JE	1	435031044R1
R2135	C-CARBON R	RN72K1J-750JE	1	435037504R1
R2136	C-CARBON R	RN72K1J-104JE	1	435031044R1
R2147	C-CARBON R	RN72K1J-750JE	1	435037504R1
R2148	C-CARBON R	RN72K1J-104JE	1	435031044R1
R2149	C-CARBON R	RN72K1J-750JE	1	435037504R1
R2150	C-CARBON R	RN72K1J-104JE	1	435031044R1
R2151	C-CARBON R	RN72K1J-750JE	1	435037504R1
R2152	C-CARBON R	RN72K1J-104JE	1	435031044R1
R2153	C-CARBON R	RN72K1J-750JE	1	435037504R1
R2154	C-CARBON R	RN72K1J-104JE	1	435031044R1
R2158	C-CARBON R	RN72K1J-103JE	1	435031034R1
R2159	C-CARBON R	RN72K1J-103JE	1	435031034R1
R2165	C-CARBON R	RN72K1J-104JE	1	435031044R1
R2166	C-CARBON R	RN72K1J-104JE	1	435031044R1
R2168	C-CARBON R	RN72K1J-104JE	1	435031044R1
R2169	C-CARBON R	RN72K1J-104JE	1	435031044R1
R2171	C-CARBON R	RN72K1J-104JE	1	435031044R1
R2172	C-CARBON R	RN72K1J-104JE	1	435031044R1

R2173	C-CARBON R	RN72K1J-750JE	1	435037504R1
R2174	C-CARBON R	RN72K1J-750JE	1	435037504R1
R2175	C-CARBON R	RN72K1J-750JE	1	435037504R1
R2176	C-CARBON R	RN72K1J-103JE	1	435031034R1
R2179	C-CARBON R	RN72K1J-750JE	1	435037504R1
R2180	C-CARBON R	RN72K1J-750JE	1	435037504R1
R2181	C-CARBON R	RN72K1J-750JE	1	435037504R1
R2186	C-CARBON R	RN72K1J-750JE	1	435037504R1
R2189	C-CARBON R	RN72K1J-750JE	1	435037504R1
R2190	METAL R	RNU1/2WCJ-0.1	1	453531094T
R2191	METAL R	RNU1/2WCJ-0.1	1	453531094T
R2192	C-CARBON R	RN72K1J-750JE	1	435037504R1
R2193	C-CARBON R	RN72K1J-392JE	1	435033924R1
R2194	C-CARBON R	RN72K1J-104JE	1	435031044R1
R2195	C-CARBON R	RN72K1J-104JE	1	435031044R1
R2196	C-CARBON R	RN72K1J-104JE	1	435031044R1
R2197	C-CARBON R	RN72K1J-392JE	1	435033924R1
R2198	C-CARBON R	RN72K1J-750JE	1	435037504R1
R2199	C-CARBON R	RN72K1J-750JE	1	435037504R1
R2200	C-CARBON R	RN72K1J-750JE	1	435037504R1
R2201	C-CARBON R	RN72K1J-750JE	1	435037504R1
R2202	C-CARBON R	RN72K1J-750JE	1	435037504R1
R2203	C-CARBON R	RN72K1J-750JE	1	435037504R1
R2204	C-CARBON R	RN72K1J-750JE	1	435037504R1
R2205	C-CARBON R	RN72K1J-750JE	1	435037504R1
R2206	C-CARBON R	RN72K1J-750JE	1	435037504R1
R2207	C-CARBON R	RN72K1J-104JE	1	435031044R1
R2208	C-CARBON R	RN72K1J-104JE	1	435031044R1
R2209	C-CARBON R	RN72K1J-104JE	1	435031044R1
R2210	C-CARBON R	RN72K1J-750JE	1	435037504R1
R2211	C-CARBON R	RN72K1J-104JE	1	435031044R1
R2222	C-CARBON R	RN72K1J-000JE	1	435030004R1
R2223	C-CARBON R	RN72K1J-000JE	1	435030004R1

R2224	C-CARBON R	RN72K1J-000JE	1	435030004R1	
R2500	C-CARBON R	RN72K1J-220JE	1	435032204R1	
R2501	C-CARBON R	RN72K1J-223JE	1	435032234R1	
R2504	C-CARBON R	RN72K1J-223JE	1	435032234R1	
R2505	C-CARBON R	RN72K1J-223JE	1	435032234R1	
R2506	C-CARBON R	RN72K1J-223JE	1	435032234R1	
R2507	C-CARBON R	RN72K1J-223JE	1	435032234R1	
R2508	C-CARBON R	RN72K1J-223JE	1	435032234R1	
R2510	C-CARBON R	RN72K1J-223JE	1	435032234R1	
R2512	C-CARBON R	RN72K1J-223JE	1	435032234R1	
R2513	C-CARBON R	RN72K1J-220JE	1	435032204R1	
R2515	C-CARBON R	RN72K1J-220JE	1	435032204R1	NO USE from Mark K.
R2516	C-CARBON R	RN72K1J-750JE	1	435037504R1	
R2517	C-CARBON R	RN72K1J-222JE	1	435032224R1	
R2518	C-CARBON R	RN72K1J-022JE	1	435030224R1	NO USE from Mark K.
R2519	C-CARBON R	RN72K1J-220JE	1	435032204R1	NO USE from Mark K.
R2521	C-CARBON R	RN72K1J-220JE	1	435032204R1	NO USE from Mark K.
R2522	C-CARBON R	RN72K1J-750JE	1	435037504R1	
R2523	C-CARBON R	RN72K1J-222JE	1	435032224R1	
R2524	C-CARBON R	RN72K1J-022JE	1	435030224R1	NO USE from Mark K.
R2525	C-CARBON R	RN72K1J-220JE	1	435032204R1	NO USE from Mark K.
R2528	C-CARBON R	RN72K1J-220JE	1	435032204R1	
R2529	C-CARBON R	RN72K1J-750JE	1	435037504R1	
R2530	C-CARBON R	RN72K1J-222JE	1	435032224R1	
R2531	C-CARBON R	RN72K1J-022JE	1	435030224R1	
R2532	C-CARBON R	RN72K1J-220JE	1	435032204R1	
R2533	C-CARBON R	RN72K1J-471JE	1	435034714R1	
R2534	C-CARBON R	RN72K1J-471JE	1	435034714R1	
R2535	C-CARBON R	RN72K1J-105JE	1	435031054R1	
R2536	C-CARBON R	RN72K1J-105JE	1	435031054R1	
R2537	THERMISTOR	FUSB090F	1	4000252T	
R2700	C-CARBON R	RN72K1J-101JE	1	435031014R1	
R2701	C-CARBON R	RN72K1J-102JE	1	435031024R1	

R2702	C-CARBON R	RN72K1J-039JE	1	435030394R1
R2703	C-CARBON R	RN72K1J-224JE	1	435032244R1
R2704	C-CARBON R	RN72K1J-102JE	1	435031024R1
R2705	C-CARBON R	RN72K1J-220JE	1	435032204R1
R2706	C-CARBON R	RN72K1J-101JE	1	435031014R1
R2707	C-CARBON R	RN72K1J-224JE	1	435032244R1
R2708	C-CARBON R	RN72K1J-102JE	1	435031024R1
R2709	C-CARBON R	RN72K1J-220JE	1	435032204R1
R2710	C-CARBON R	RN72K1J-101JE	1	435031014R1
R2711	C-CARBON R	RN72K1J-224JE	1	435032244R1
R2712	C-CARBON R	RN72K1J-000JE	1	435030004R1
R2713	C-CARBON R	RN72K1J-102JE	1	435031024R1
R2717	C-CARBON R	RN72K1J-000JE	1	435030004R1
R2719	C-CARBON R	RN72K1J-470JE	1	435034704R1
R2720	C-CARBON R	RN72K1J-470JE	1	435034704R1
R2721	C-CARBON R	RN72K1J-000JE	1	435030004R1
R2722	C-CARBON R	RN72K1J-101JE	1	435031014R1
R2723	C-CARBON R	RN72K1J-103JE	1	435031034R1
R4001	C-CARBON R	RN72K1J-562JE	1	435035624R1
R4002	C-CARBON R	RN72K1J-562JE	1	435035624R1
R4003	C-CARBON R	RN72K1J-563JE	1	435035634R1
R4004	C-CARBON R	RN72K1J-563JE	1	435035634R1
R4041	C-CARBON R	RN72K1J-331JE	1	435033314R1
R4042	C-CARBON R	RN72K1J-331JE	1	435033314R1
R4043	C-CARBON R	RN72K1J-563JE	1	435035634R1
R4044	C-CARBON R	RN72K1J-563JE	1	435035634R1
R4045	C-CARBON R	RN72K1J-224JE	1	435032244R1
R4046	C-CARBON R	RN72K1J-224JE	1	435032244R1
R4047	METAL O R	RS1/2WBJ-22	1	443522204T
R4048	METAL O R	RS1/2WBJ-22	1	443522204T
R4061	C-CARBON R	RN72K1J-331JE	1	435033314R1
R4062	C-CARBON R	RN72K1J-331JE	1	435033314R1
R4063	C-CARBON R	RN72K1J-224JE	1	435032244R1

R4064	C-CARBON R	RN72K1J-224JE	1	435032244R1
R4065	C-CARBON R	RN72K1J-100JE	1	435031004R1
R4066	C-CARBON R	RN72K1J-100JE	1	435031004R1
R4067	C-CARBON R	RN72K1J-101JE	1	435031014R1
R4068	C-CARBON R	RN72K1J-101JE	1	435031014R1
R4069	C-CARBON R	RN72K1J-221JE	1	435032214R1
R4070	C-CARBON R	RN72K1J-221JE	1	435032214R1
R4071	C-CARBON R	RN72K1J-331JE	1	435033314R1
R4072	C-CARBON R	RN72K1J-331JE	1	435033314R1
R4073	C-CARBON R	RN72K1J-563JE	1	435035634R1
R4074	C-CARBON R	RN72K1J-563JE	1	435035634R1
R4075	C-CARBON R	RN72K1J-224JE	1	435032244R1
R4076	C-CARBON R	RN72K1J-224JE	1	435032244R1
R4077	METAL O R	RS1/2WBJ-22	1	443522204T
R4078	METAL O R	RS1/2WBJ-22	1	443522204T
R4081	C-CARBON R	RN72K1J-331JE	1	435033314R1
R4082	C-CARBON R	RN72K1J-331JE	1	435033314R1
R4083	C-CARBON R	RN72K1J-563JE	1	435035634R1
R4084	C-CARBON R	RN72K1J-563JE	1	435035634R1
R4085	C-CARBON R	RN72K1J-224JE	1	435032244R1
R4086	C-CARBON R	RN72K1J-224JE	1	435032244R1
R4091	C-CARBON R	RN72K1J-331JE	1	435033314R1
R4092	C-CARBON R	RN72K1J-331JE	1	435033314R1
R4093	C-CARBON R	RN72K1J-563JE	1	435035634R1
R4094	C-CARBON R	RN72K1J-563JE	1	435035634R1
R4095	C-CARBON R	RN72K1J-224JE	1	435032244R1
R4096	C-CARBON R	RN72K1J-224JE	1	435032244R1
R4101	C-CARBON R	RN72K1J-331JE	1	435033314R1
R4102	C-CARBON R	RN72K1J-331JE	1	435033314R1
R4103	C-CARBON R	RN72K1J-563JE	1	435035634R1
R4104	C-CARBON R	RN72K1J-563JE	1	435035634R1
R4105	C-CARBON R	RN72K1J-224JE	1	435032244R1
R4106	C-CARBON R	RN72K1J-224JE	1	435032244R1



R4111	C-CARBON R	RN72K1J-331JE	1	435033314R1
R4112	C-CARBON R	RN72K1J-331JE	1	435033314R1
R4113	C-CARBON R	RN72K1J-224JE	1	435032244R1
R4114	C-CARBON R	RN72K1J-224JE	1	435032244R1
R4115	C-CARBON R	RN72K1J-100JE	1	435031004R1
R4116	C-CARBON R	RN72K1J-100JE	1	435031004R1
R4117	C-CARBON R	RN72K1J-101JE	1	435031014R1
R4118	C-CARBON R	RN72K1J-101JE	1	435031014R1
R4119	C-CARBON R	RN72K1J-221JE	1	435032214R1
R4120	C-CARBON R	RN72K1J-221JE	1	435032214R1
R4121	C-CARBON R	RN72K1J-331JE	1	435033314R1
R4122	C-CARBON R	RN72K1J-331JE	1	435033314R1
R4123	C-CARBON R	RN72K1J-563JE	1	435035634R1
R4124	C-CARBON R	RN72K1J-563JE	1	435035634R1
R4125	C-CARBON R	RN72K1J-224JE	1	435032244R1
R4126	C-CARBON R	RN72K1J-224JE	1	435032244R1
R4131	C-CARBON R	RN72K1J-331JE	1	435033314R1
R4132	C-CARBON R	RN72K1J-331JE	1	435033314R1
R4133	C-CARBON R	RN72K1J-563JE	1	435035634R1
R4134	C-CARBON R	RN72K1J-563JE	1	435035634R1
R4135	C-CARBON R	RN72K1J-224JE	1	435032244R1
R4136	C-CARBON R	RN72K1J-224JE	1	435032244R1
R4137	METAL O R	RS1/2WBJ-22	1	443522204T
R4138	METAL O R	RS1/2WBJ-22	1	443522204T
R4151	C-CARBON R	RN72K1J-224JE	1	435032244R1
R4152	C-CARBON R	RN72K1J-224JE	1	435032244R1
R4153	C-CARBON R	RN72K1J-224JE	1	435032244R1
R4154	C-CARBON R	RN72K1J-224JE	1	435032244R1
R4155	C-CARBON R	RN72K1J-224JE	1	435032244R1
R4156	C-CARBON R	RN72K1J-224JE	1	435032244R1
R4157	C-CARBON R	RN72K1J-224JE	1	435032244R1
R4158	C-CARBON R	RN72K1J-224JE	1	435032244R1
R4200	C-CARBON R	RN72K1J-102JE	1	435031024R1

R4201	C-CARBON R	RN72K1J-102JE	1	435031024R1
R4202	C-CARBON R	RN72K1J-102JE	1	435031024R1
R4203	C-CARBON R	RN72K1J-103JE	1	435031034R1
R4204	C-CARBON R	RN72K1J-100JE	1	435031004R1
R4206	C-CARBON R	RN72K1J-100JE	1	435031004R1
R4207	C-CARBON R	RN72K1J-102JE	1	435031024R1
R4208	C-CARBON R	RN72K1J-102JE	1	435031024R1
R4209	C-CARBON R	RN72K1J-102JE	1	435031024R1
R4211	C-CARBON R	RN72K1J-100JE	1	435031004R1
R4212	C-CARBON R	RN72K1J-103JE	1	435031034R1
R4213	C-CARBON R	RN72K1J-100JE	1	435031004R1
R4214	METAL O R	RS1/2WBJ-15	1	443521504T
R4215	METAL O R	RS1/2WBJ-15	1	443521504T
R4216	C-CARBON R	RN72K1J-681JE	1	435036814R1
R4217	C-CARBON R	RN72K1J-681JE	1	435036814R1
R4218	METAL O R	RS1/2WBJ-10	1	443521004T
R4219	METAL O R	RS1/2WBJ-10	1	443521004T
R4221	C-CARBON R	RN72K1J-224JE	1	435032244R1
R4222	C-CARBON R	RN72K1J-224JE	1	435032244R1
R4223	C-CARBON R	RN72K1J-224JE	1	435032244R1
R4224	C-CARBON R	RN72K1J-224JE	1	435032244R1
R4225	C-CARBON R	RN72K1J-103JE	1	435031034R1
R4226	C-CARBON R	RN72K1J-103JE	1	435031034R1
R4256	METAL O R	RS1/2WBJ-22	1	443522204T
R4257	METAL O R	RS1/2WBJ-22	1	443522204T
R4297	METAL O R	RS1/2WBJ-1K	1	443521024T
R4301	C-CARBON R	RN72K1J-103JE	1	435031034R1
R4302	C-CARBON R	RN72K1J-103JE	1	435031034R1
R4303	C-CARBON R	RN72K1J-103JE	1	435031034R1
R4304	C-CARBON R	RN72K1J-103JE	1	435031034R1
R4307	C-CARBON R	RN72K1J-224JE	1	435032244R1
R4308	C-CARBON R	RN72K1J-682JE	1	435036824R1
R4309	C-CARBON R	RN72K1J-272JE	1	435032724R1

R4310	C-CARBON R	RN72K1J-682JE	1	435036824R1
R4323	C-CARBON R	RN72K1J-224JE	1	435032244R1
R4324	C-CARBON R	RN72K1J-224JE	1	435032244R1
R4325	C-CARBON R	RN72K1J-224JE	1	435032244R1
R4326	C-CARBON R	RN72K1J-224JE	1	435032244R1
R4341	C-CARBON R	RN72K1J-122JE	1	435031224R1
R4342	C-CARBON R	RN72K1J-103JE	1	435031034R1
R4343	C-CARBON R	RN72K1J-152JE	1	435031524R1
R4344	C-CARBON R	RN72K1J-103JE	1	435031034R1
R4346	C-CARBON R	RN72K1J-103JE	1	435031034R1
R4347	C-CARBON R	RN72K1J-122JE	1	435031224R1
R4348	C-CARBON R	RN72K1J-103JE	1	435031034R1
R4349	C-CARBON R	RN72K1J-152JE	1	435031524R1
R4350	C-CARBON R	RN72K1J-103JE	1	435031034R1
R4351	C-CARBON R	RN72K1J-103JE	1	435031034R1
R4352	C-CARBON R	RN72K1J-103JE	1	435031034R1
R4353	C-CARBON R	RN72K1J-103JE	1	435031034R1
R4354	C-CARBON R	RN72K1J-103JE	1	435031034R1
R4355	C-CARBON R	RN72K1J-103JE	1	435031034R1
R4357	C-CARBON R	RN72K1J-103JE	1	435031034R1
R4359	C-CARBON R	RN72K1J-103JE	1	435031034R1
R4360	C-CARBON R	RN72K1J-224JE	1	435032244R1
R4361	C-CARBON R	RN72K1J-224JE	1	435032244R1
R4371	C-CARBON R	RN72K1J-103JE	1	435031034R1
R4372	C-CARBON R	RN72K1J-103JE	1	435031034R1
R4373	C-CARBON R	RN72K1J-103JE	1	435031034R1
R4374	C-CARBON R	RN72K1J-103JE	1	435031034R1
R4375	C-CARBON R	RN72K1J-224JE	1	435032244R1
R4376	C-CARBON R	RN72K1J-224JE	1	435032244R1
R4381	C-CARBON R	RN72K1J-123JE	1	435031234R1
R4382	C-CARBON R	RN72K1J-123JE	1	435031234R1
R4383	C-CARBON R	RN72K1J-562JE	1	435035624R1
R4385	C-CARBON R	RN72K1J-224JE	1	435032244R1

R4386	C-CARBON R	RN72K1J-103JE	1	435031034R1
R4387	C-CARBON R	RN72K1J-103JE	1	435031034R1
R4391	METAL O R	RS1/2WBJ-22	1	443522204T
R4392	METAL O R	RS1/2WBJ-22	1	443522204T
R4393	C-CARBON R	RN72K1J-103JE	1	435031034R1
R4394	C-CARBON R	RN72K1J-103JE	1	435031034R1
R4395	C-CARBON R	RN72K1J-103JE	1	435031034R1
R4396	C-CARBON R	RN72K1J-103JE	1	435031034R1
R4397	C-CARBON R	RN72K1J-103JE	1	435031034R1
R4398	C-CARBON R	RN72K1J-103JE	1	435031034R1
R4399	C-CARBON R	RN72K1J-103JE	1	435031034R1
R4400	C-CARBON R	RN72K1J-103JE	1	435031034R1
R4401	C-CARBON R	RN72K1J-103JE	1	435031034R1
R4402	METAL O R	RS1/2WBJ-22	1	443522204T
R4403	METAL O R	RS1/2WBJ-22	1	443522204T
R4404	C-CARBON R	RN72K1J-222JE	1	435032224R1
R4405	C-CARBON R	RN72K1J-222JE	1	435032224R1
R4406	C-CARBON R	RN72K1J-331JE	1	435033314R1
R4407	C-CARBON R	RN72K1J-331JE	1	435033314R1
R4409	C-CARBON R	RN72K1J-222JE	1	435032224R1
R4410	C-CARBON R	RN72K1J-331JE	1	435033314R1
R4411	C-CARBON R	RN72K1J-331JE	1	435033314R1
R4412	C-CARBON R	RN72K1J-331JE	1	435033314R1
R4413	C-CARBON R	RN72K1J-222JE	1	435032224R1
R4414	C-CARBON R	RN72K1J-331JE	1	435033314R1
R4415	C-CARBON R	RN72K1J-331JE	1	435033314R1
R4416	C-CARBON R	RN72K1J-331JE	1	435033314R1
R4417	C-CARBON R	RN72K1J-222JE	1	435032224R1
R4418	C-CARBON R	RN72K1J-222JE	1	435032224R1
R4441	C-CARBON R	RN72K1J-473JE	1	435034734R1
R4442	C-CARBON R	RN72K1J-473JE	1	435034734R1
R4443	C-CARBON R	RN72K1J-392JE	1	435033924R1
R4444	C-CARBON R	RN72K1J-392JE	1	435033924R1

R4445	C-CARBON R	RN72K1J-682JE	1	435036824R1
R4446	C-CARBON R	RN72K1J-393JE	1	435033934R1
R4447	C-CARBON R	RN72K1J-682JE	1	435036824R1
R4448	C-CARBON R	RN72K1J-393JE	1	435033934R1
R4449	C-CARBON R	RN72K1J-272JE	1	435032724R1
R4450	C-CARBON R	RN72K1J-272JE	1	435032724R1
R4451	C-CARBON R	RN72K1J-272JE	1	435032724R1
R4452	C-CARBON R	RN72K1J-272JE	1	435032724R1
R4453	C-CARBON R	RN72K2E-220JE	1	435222204R1
R4454	C-CARBON R	RN72K2E-220JE	1	435222204R1
R4455	C-CARBON R	RN72K2E-220JE	1	435222204R1
R4456	C-CARBON R	RN72K2E-220JE	1	435222204R1
R4463	C-CARBON R	RN72K1J-473JE	1	435034734R1
R4464	C-CARBON R	RN72K1J-473JE	1	435034734R1
R4465	C-CARBON R	RN72K1J-223JE	1	435032234R1
R4466	C-CARBON R	RN72K1J-223JE	1	435032234R1
R4467	C-CARBON R	RN72K1J-333JE	1	435033334R1
R4468	C-CARBON R	RN72K1J-333JE	1	435033334R1
R4477	C-CARBON R	RN72K1J-224JE	1	435032244R1
R4478	C-CARBON R	RN72K1J-224JE	1	435032244R1
R4479	METAL O R	RS1/2WBJ-47	1	443524704T
R4480	METAL O R	RS1/2WBJ-47	1	443524704T
R4481	C-CARBON R	RN72K1J-010JE	1	435030104R1
R4482	C-CARBON R	RN72K1J-182JE	1	435031824R1
R4483	C-CARBON R	RN72K1J-104JE	1	435031044R1
R4484	C-CARBON R	RN72K1J-103JE	1	435031034R1
R4485	C-CARBON R	RN72K1J-103JE	1	435031034R1
R4550	C-CARBON R	RN72K1J-104JE	1	435031044R1
R4551	C-CARBON R	RN72K1J-104JE	1	435031044R1
R4552	C-CARBON R	RN72K1J-104JE	1	435031044R1
R4553	C-CARBON R	RN72K1J-104JE	1	435031044R1
R4554	C-CARBON R	RN72K1J-104JE	1	435031044R1
R4555	C-CARBON R	RN72K1J-104JE	1	435031044R1

R4556	C-CARBON R	RN72K1J-104JE	1	435031044R1
R4557	C-CARBON R	RN72K1J-104JE	1	435031044R1
R4558	C-CARBON R	RN72K1J-104JE	1	435031044R1
R4559	C-CARBON R	RN72K1J-104JE	1	435031044R1
R4560	C-CARBON R	RN72K1J-104JE	1	435031044R1
R4561	C-CARBON R	RN72K1J-224JE	1	435032244R1
R4562	C-CARBON R	RN72K1J-224JE	1	435032244R1
R4563	C-CARBON R	RN72K1J-222JE	1	435032224R1
R4600	C-CARBON R	RN72K1J-331JE	1	435033314R1
R4601	C-CARBON R	RN72K1J-331JE	1	435033314R1
R4602	C-CARBON R	RN72K1J-331JE	1	435033314R1
R4603	C-CARBON R	RN72K1J-331JE	1	435033314R1
R4604	C-CARBON R	RN72K1J-331JE	1	435033314R1
R4605	C-CARBON R	RN72K1J-331JE	1	435033314R1
R4606	C-CARBON R	RN72K1J-331JE	1	435033314R1
R4607	C-CARBON R	RN72K1J-331JE	1	435033314R1
R4610	C-CARBON R	RN72K1J-563JE	1	435035634R1
R4611	C-CARBON R	RN72K1J-563JE	1	435035634R1
R4612	C-CARBON R	RN72K1J-563JE	1	435035634R1
R4613	C-CARBON R	RN72K1J-563JE	1	435035634R1
R4614	C-CARBON R	RN72K1J-563JE	1	435035634R1
R4615	C-CARBON R	RN72K1J-563JE	1	435035634R1
R4616	C-CARBON R	RN72K1J-563JE	1	435035634R1
R4617	C-CARBON R	RN72K1J-563JE	1	435035634R1
R4620	C-CARBON R	RN72K1J-224JE	1	435032244R1
R4621	C-CARBON R	RN72K1J-224JE	1	435032244R1
R4622	C-CARBON R	RN72K1J-224JE	1	435032244R1
R4623	C-CARBON R	RN72K1J-224JE	1	435032244R1
R4624	C-CARBON R	RN72K1J-224JE	1	435032244R1
R4625	C-CARBON R	RN72K1J-224JE	1	435032244R1
R4626	C-CARBON R	RN72K1J-224JE	1	435032244R1
R4627	C-CARBON R	RN72K1J-224JE	1	435032244R1
R4630	C-CARBON R	RN72K1J-224JE	1	435032244R1

R4633	C-CARBON R	RN72K1J-224JE	1	435032244R1
R4634	C-CARBON R	RN72K1J-224JE	1	435032244R1
R4635	C-CARBON R	RN72K1J-224JE	1	435032244R1
R4636	C-CARBON R	RN72K1J-224JE	1	435032244R1
R4637	C-CARBON R	RN72K1J-224JE	1	435032244R1
R4640	C-CARBON R	RN72K1J-224JE	1	435032244R1
R4641	C-CARBON R	RN72K1J-224JE	1	435032244R1
R4642	C-CARBON R	RN72K1J-224JE	1	435032244R1
R4643	C-CARBON R	RN72K1J-224JE	1	435032244R1
R4644	C-CARBON R	RN72K1J-224JE	1	435032244R1
R4645	C-CARBON R	RN72K1J-224JE	1	435032244R1
R4646	C-CARBON R	RN72K1J-224JE	1	435032244R1
R4647	C-CARBON R	RN72K1J-223JE	1	435032234R1
R4648	C-CARBON R	RN72K1J-223JE	1	435032234R1
R4650	C-CARBON R	RN72K1J-221JE	1	435032214R1
R4651	C-CARBON R	RN72K1J-221JE	1	435032214R1
R4652	C-CARBON R	RN72K1J-221JE	1	435032214R1
R4653	C-CARBON R	RN72K1J-221JE	1	435032214R1
R4654	C-CARBON R	RN72K1J-221JE	1	435032214R1
R4655	C-CARBON R	RN72K1J-221JE	1	435032214R1
R4656	C-CARBON R	RN72K1J-221JE	1	435032214R1
R4657	C-CARBON R	RN72K1J-221JE	1	435032214R1
R4658	C-CARBON R	RN72K1J-221JE	1	435032214R1
R4660	C-CARBON R	RN72K1J-103JE	1	435031034R1
R4661	C-CARBON R	RN72K1J-103JE	1	435031034R1
R4662	C-CARBON R	RN72K1J-103JE	1	435031034R1
R4663	C-CARBON R	RN72K1J-103JE	1	435031034R1
R4664	C-CARBON R	RN72K1J-103JE	1	435031034R1
R4665	C-CARBON R	RN72K1J-103JE	1	435031034R1
R4666	C-CARBON R	RN72K1J-103JE	1	435031034R1
R4667	C-CARBON R	RN72K1J-103JE	1	435031034R1
R4668	C-CARBON R	RN72K1J-103JE	1	435031034R1
R4670	C-CARBON R	RN72K1J-224JE	1	435032244R1

R4671	C-CARBON R	RN72K1J-224JE	1	435032244R1
R4672	C-CARBON R	RN72K1J-224JE	1	435032244R1
R4673	C-CARBON R	RN72K1J-224JE	1	435032244R1
R4674	C-CARBON R	RN72K1J-224JE	1	435032244R1
R4675	C-CARBON R	RN72K1J-224JE	1	435032244R1
R4676	C-CARBON R	RN72K1J-224JE	1	435032244R1
R4677	C-CARBON R	RN72K1J-224JE	1	435032244R1
R4678	C-CARBON R	RN72K1J-224JE	1	435032244R1
R4680	C-CARBON R	RN72K1J-470JE	1	435034704R1
R4681	C-CARBON R	RN72K1J-470JE	1	435034704R1
R4682	C-CARBON R	RN72K1J-470JE	1	435034704R1
R4683	C-CARBON R	RN72K1J-470JE	1	435034704R1
R4684	C-CARBON R	RN72K1J-470JE	1	435034704R1
R4685	C-CARBON R	RN72K1J-470JE	1	435034704R1
R4686	C-CARBON R	RN72K1J-470JE	1	435034704R1
R4687	C-CARBON R	RN72K1J-470JE	1	435034704R1
R4688	C-CARBON R	RN72K1J-470JE	1	435034704R1
R4741	C-CARBON R	RN72K1J-224JE	1	435032244R1
R4742	C-CARBON R	RN72K1J-224JE	1	435032244R1
R4751	C-CARBON R	RN72K1J-221JE	1	435032214R1
R4752	C-CARBON R	RN72K1J-221JE	1	435032214R1
R4761	C-CARBON R	RN72K1J-103JE	1	435031034R1
R4762	C-CARBON R	RN72K1J-103JE	1	435031034R1
R4771	C-CARBON R	RN72K1J-224JE	1	435032244R1
R4772	C-CARBON R	RN72K1J-224JE	1	435032244R1
R4781	C-CARBON R	RN72K1J-470JE	1	435034704R1
R4782	C-CARBON R	RN72K1J-470JE	1	435034704R1
R4800	C-CARBON R	RN72K1J-224JE	1	435032244R1
R4801	C-CARBON R	RN72K1J-224JE	1	435032244R1
R4802	C-CARBON R	RN72K1J-224JE	1	435032244R1
R4803	C-CARBON R	RN72K1J-224JE	1	435032244R1
R4804	C-CARBON R	RN72K1J-224JE	1	435032244R1
R4805	C-CARBON R	RN72K1J-224JE	1	435032244R1



R4810	C-CARBON R	RN72K1J-221JE	1	435032214R1
R4811	C-CARBON R	RN72K1J-221JE	1	435032214R1
R4812	C-CARBON R	RN72K1J-221JE	1	435032214R1
R4813	C-CARBON R	RN72K1J-221JE	1	435032214R1
R4814	C-CARBON R	RN72K1J-221JE	1	435032214R1
R4815	C-CARBON R	RN72K1J-221JE	1	435032214R1
R4820	C-CARBON R	RN72K1J-224JE	1	435032244R1
R4821	C-CARBON R	RN72K1J-224JE	1	435032244R1
R4822	C-CARBON R	RN72K1J-224JE	1	435032244R1
R4823	C-CARBON R	RN72K1J-224JE	1	435032244R1
R4824	C-CARBON R	RN72K1J-224JE	1	435032244R1
R4825	C-CARBON R	RN72K1J-224JE	1	435032244R1
R4830	C-CARBON R	RN72K1J-470JE	1	435034704R1
R4831	C-CARBON R	RN72K1J-470JE	1	435034704R1
R4832	C-CARBON R	RN72K1J-470JE	1	435034704R1
R4833	C-CARBON R	RN72K1J-470JE	1	435034704R1
R4834	C-CARBON R	RN72K1J-470JE	1	435034704R1
R4835	C-CARBON R	RN72K1J-470JE	1	435034704R1
R4841	C-CARBON R	RN72K1J-224JE	1	435032244R1
R4842	C-CARBON R	RN72K1J-224JE	1	435032244R1
<b>[SW TRM]</b>				
E1B	TRM	NTM-1P232(M1700)	1	25060301
E2000	TRM-423(SCREW)	NEJITANSI ST3	1	25060495
F2001A	FUSE HOL	NSCT-1P2031	1	25052133T
F2001B	FUSE HOL	NSCT-1P2031	1	25052133T
F2004A	FUSE HOL	NSCT-1P2031	1	25052133T
F2004B	FUSE HOL	NSCT-1P2031	1	25052133T
F2005A	FUSE HOL	NSCT-1P2031	1	25052133T
F2005B	FUSE HOL	NSCT-1P2031	1	25052133T
JL2104A	WIRE HOL	NSCT-11P882	1	25051095
JL2104B	WIRE TRAP	NPLG-11P594	1	25055632
JL2601B	WIRE TRAP	NPLG-5P588	1	25055626
JL3201A	WIRE HOL	NSCT-5P876	1	25051089

JL4001A	WIRE HOL	NSCT-3P874	1	25051087	
JL4014B	SOCKET	NSCT-7P99	1	25050271	
JL4103A	SOCKET	NSCT-5P97	1	25050269	
JL5112A	WIRE HOL	NSCT-5P876	1	25051089	
JL8002A	WIRE HOL	NSCT-5P896	1	25051109	
JL901B	WIRE TRAP	NPLG-7P590	1	25055628	
P003	PWB	BCASP-0202	1	25140202C	N
P004	PWB	BCVD-0203	{ 1 }	25140203	N
P103B	SOCKET	NSCT-11P2191	1	25052294	
P104B	SOCKET	NSCT-7P2187	1	25052290	
P105B	SOCKET	NSCT-7P2187	1	25052290	
P107B	SOCKET	NSCT-11P2191	1	25052294	
P2000	PLUG	NPLG-5P119	1	25055135	
P2103A	PLUG	IMSA-9142B-18A	1	25056599	N
P2104A	PLUG	IMSA-9142B-20A	1	25056600	
P2106	PIN JACK	NPJ-6PDGLR649	1	25045874	
P2108	PIN JACK	NPJ-9PDGLR630	1	25045851	
P2108 or	PIN JACK	NPJ-9PDGLR520	( 1 )	25045732	
P2110	PIN JACK	NPJ-10PDSY628	1	25045849	
P2110 or	PIN JACK	NPJ-10PDBY481	( 1 )	25045684	
P2111	PIN JACK	NPJ-10PDSY628	1	25045849	
P2111 or	PIN JACK	NPJ-10PDBY481	( 1 )	25045684	
P2112	PIN JACK	NPJ-10PDSY628	1	25045849	
P2112 or	PIN JACK	NPJ-10PDBY481	( 1 )	25045684	
P2113	PIN JACK	NPJ-1PDY655	1	25045882	
P2500	SOCKET	NNA1-01-006	1	25053357	
P2700	ST JACK	HSJ1002-01-6020	1	25045647	
P2701	ST JACK	HSJ1002-01-6020	1	25045647	
P2702	ST JACK	HSJ1002-01-6020	1	25045647	
P2901	RETAINER	(PC-HOLD)	1	27142149	N
P4001	PIN JACK	NPJ-2PDWR706	1	25045940A	
P4002A	PLUG	NPLG-9P661	1	25055705	
P4004	PIN JACK	NPJ-2PDWR706	1	25045940A	

P4006	PIN JACK	NPJ-6PDRW665	1	25045894	
P4007	PIN JACK	NPJ-4PDRW592	1	25045812	
P4008A	SOCKET	NSCT-9P2102	1	25052205	N
P4009A	SOCKET	NSCT-15P2108	1	25052211	
P4010	PIN JACK	NPJ-6PDRW665	1	25045894	
P4011	PIN JACK	NPJ-6PDGWRPLE696	1	25045930	
P4012	PIN JACK	NPJ-2PDNT704	1	25045938	
P4017	PIN JACK	NPJ-9PDGWRPLENT698	1	25045932	
P4018	PIN JACK	NPJ-2PDWR583	1	25045803	
P4019	PIN JACK	NPJ-6PDPWR654	1	25045881	
P4100	RETAINER	(JOINT)	1	27142069	
P4104B	SOCKET	NSCT-31P2124	1	25052227	
P5000B	PLUG	NPLG-10P357	1	25055374	
P5001B	PLUG	NPLG-8P355	1	25055372	
P5002B	CRIMP AS	CRIMP SR805_2	1	20799170UL	
P7009A	PLUG	IMSA-9142B-18A	1	25056599	N
P7010A	PLUG	IMSA-9142B-26A	1	25056603	
RL4001	RELAY	NRL-2P2A-DC12-178	1	25065664	
RL4002	RELAY	NRL-2P2A-DC12-178	1	25065664	
RL4003	RELAY	NRL-2P2A-DC12-178	1	25065664	
RL4004	RELAY	NRL-2P2A-DC12-178	1	25065664	
RL4005	RELAY	NRL-2P2A-DC12-178	1	25065664	
RL4006	RELAY	NRL-2P2A-DC12-178	1	25065664	
RL4008	RELAY	NRL-2P2A-DC12-178	1	25065664	
RL4009	RELAY	NRL-2P2A-DC12-178	1	25065664	
<b>[CHASSIS SCREW]</b>					
Q2000A	HEAT-SINK	HEAT-SINK(RAD-67)	1	27160209	
Q2000B	SCREW	3P+6FN(3BC)	2	82143006GR	

**DHC-80.1**

<b>U004</b>	<b>U0040 ~ U0047</b>	<b>BADG-0208-1N *</b>	1	<b>1B234508-1N</b>	N <B MDD>
<b>U0040</b>	<b>DAC PC BOARD AS</b>	<b>BADG-0208-1N</b>	1	<b>1B2345208-1N</b>	N <B MDD>

<b>U0041</b>	<b>MICROPROCESSOR PC BOARD AS</b>	<b>BACPU-0209-1N</b>	1	<b>1B2345209-1N</b>	N <B MDD>
<b>U0042</b>	<b>ZONE-2 VOLUME PC BOARD AS</b>	<b>BAAR-0210-1N</b>	1	<b>1B2345210-1N</b>	N <B MDD>
<b>U0043</b>	<b>EQUALIZER AMP PC BOARD AS</b>	<b>BAAF-0211-1N</b>	1	<b>1B2345211-1N</b>	N <B MDD>
<b>U0044</b>	<b>BUFFER AMP PC BOARD AS</b>	<b>BAACC-0212-1N</b>	1	<b>1B2345212-1N</b>	N <B MDD>
<b>U0045</b>	<b>SIRIUS PC BOARD AS</b>	<b>BARF-0204-1N</b>	1	<b>1B2345204-1N</b>	N <B MDD>
<b>U0046</b>	<b>DIGITAL INPUT PC BOARD AS</b>	<b>BAETC-0246-1N</b>	1	<b>1B2345246-1N</b>	N <B MDD>
<b>U0047</b>	<b>D-SUB15 PC BOARD AS</b>	<b>BAETC-0247-1N</b>	1	<b>1B2345247-1N</b>	N <B MDD>

CIRCUIT. NO.	PART NAME	DESCRIPTION	Q'TY	PART NO. (SN)	REMARKS
<b>[TUNER UNIT]</b>					
U3884	PHT CP	JSR1165-001recieving	1	24120143	
U3885	PHT CP	JSR1165-001recieving	1	24120143	
U3886	PHT CP	JSR1165-001recieving	1	24120143	<B MDD>, <B MMA>
<b>[SEMI CONDUCTOR]</b>					
D4001	ZENER D	UDZS5.6B	1	224550560R2	
D4001 or	ZENER D	MAZ8056-M	(1)	224750562R2	
D4002	ZENER D	UDZS5.6B	1	224550560R2	
D4002 or	ZENER D	MAZ8056-M	(1)	224750562R2	
D4003	ZENER D	UDZS3.6B	1	224550360R2	<B MDD>, <B MMA>
D4004	ZENER D	UDZS3.6B	1	224550360R2	
D7002	C-DIODE	ISS352	1	223234R2	
D7002 or	C-DIODE	ISS355	(1)	223269R2	
D7002 or	C-DIODE	MA2J111	(1)	223279R2	
D7002 or	C-DIODE	KDS4148U	(1)	223283R2	
D7003	C-DIODE	ISS352	1	223234R2	
D7003 or	C-DIODE	ISS355	(1)	223269R2	
D7003 or	C-DIODE	MA2J111	(1)	223279R2	
D7003 or	C-DIODE	KDS4148U	(1)	223283R2	
D7006	C-DIODE	ISS352	1	223234R2	
D7006 or	C-DIODE	ISS355	(1)	223269R2	
D7006 or	C-DIODE	MA2J111	(1)	223279R2	
D7006 or	C-DIODE	KDS4148U	(1)	223283R2	
D7007	C-DIODE	ISS352	1	223234R2	

D7007 or	C-DIODE	ISS355	(1)	223269R2	
D7007 or	C-DIODE	MA2J111	(1)	223279R2	
D7007 or	C-DIODE	KDS4148U	(1)	223283R2	
D7008	C-DIODE	ISS352	1	223234R2	
D7008 or	C-DIODE	ISS355	(1)	223269R2	
D7008 or	C-DIODE	MA2J111	(1)	223279R2	
D7008 or	C-DIODE	KDS4148U	(1)	223283R2	
D7009	C-DIODE	ISS352	1	223234R2	
D7009 or	C-DIODE	ISS355	(1)	223269R2	
D7009 or	C-DIODE	MA2J111	(1)	223279R2	
D7009 or	C-DIODE	KDS4148U	(1)	223283R2	
D7010	C-DIODE	ISS352	1	223234R2	
D7010 or	C-DIODE	ISS355	(1)	223269R2	
D7010 or	C-DIODE	MA2J111	(1)	223279R2	
D7010 or	C-DIODE	KDS4148U	(1)	223283R2	
D7011	C-DIODE	ISS352	1	223234R2	
D7011 or	C-DIODE	ISS355	(1)	223269R2	
D7011 or	C-DIODE	MA2J111	(1)	223279R2	
D7011 or	C-DIODE	KDS4148U	(1)	223283R2	
Q10	IC	NE5532APSR	1	22242283R2	<B MDD>
Q1001	IC	PCM1795DBR	1	22242612R2	<B MDD>, <B MMA>
Q1002	IC	PCM1795DBR	1	22242612R2	<B MDD>, <B MMA>
Q1003	IC	PCM1795DBR	1	22242612R2	<B MDD>, <B MMA>
Q1004	IC	PCM1795DBR	1	22242612R2	<B MDD>, <B MMA>
Q1005	IC	PCM1795DBR	1	22242612R2	<B MDD>, <B MMA>
Q1006	IC	PCM1795DBR	1	22242612R2	<B MDD>, <B MMA>
Q101	IC	LC72725KV-TLM-E	1	22242584R2	<B MMA>
Q1200	IC	NE5532APSR	1	22242283R2	
Q1201	IC	NE5532APSR	1	22242283R2	
Q1202	IC	NE5532APSR	1	22242283R2	
Q1203	IC	NE5532APSR	1	22242283R2	
Q1204	IC	NE5532APSR	1	22242283R2	
Q1205	IC	NE5532APSR	1	22242283R2	

Q1206	IC	NE5532APSR	1	22242283R2	
Q1207	IC	NE5532APSR	1	22242283R2	
Q1208	IC	NE5532APSR	1	22242283R2	
Q1209	IC	NE5532APSR	1	22242283R2	
Q1210	IC	NE5532APSR	1	22242283R2	
Q1211	IC	NE5532APSR	1	22242283R2	
Q1212	IC	NE5532APSR	1	22242283R2	
Q1213	IC	NE5532APSR	1	22242283R2	
Q1214	IC	NE5532APSR	1	22242283R2	
Q1215	IC	NE5532APSR	1	22242283R2	
Q1220	IC	NE5532APSR	1	22242283R2	<B MDD>, <B MMA>
Q1221	IC	NE5532APSR	1	22242283R2	<B MDD>, <B MMA>
Q1222	IC	NE5532APSR	1	22242283R2	<B MDD>, <B MMA>
Q1223	IC	NE5532APSR	1	22242283R2	<B MDD>, <B MMA>
Q1224	IC	NE5532APSR	1	22242283R2	<B MDD>, <B MMA>
Q1225	IC	NE5532APSR	1	22242283R2	<B MDD>, <B MMA>
Q1226	IC	NE5532APSR	1	22242283R2	<B MDD>, <B MMA>
Q1227	IC	NE5532APSR	1	22242283R2	<B MDD>, <B MMA>
Q1228	IC	NE5532APSR	1	22242283R2	<B MDD>, <B MMA>
Q1229	IC	NE5532APSR	1	22242283R2	<B MDD>, <B MMA>
Q1230	IC	NE5532APSR	1	22242283R2	<B MDD>, <B MMA>
Q1231	IC	NE5532APSR	1	22242283R2	<B MDD>, <B MMA>
Q1232	IC	NE5532APSR	1	22242283R2	<B MDD>, <B MMA>
Q1233	IC	NE5532APSR	1	22242283R2	<B MDD>, <B MMA>
Q1234	IC	NE5532APSR	1	22242283R2	<B MDD>, <B MMA>
Q1235	IC	NE5532APSR	1	22242283R2	<B MDD>, <B MMA>
Q1236	IC	NE5532APSR	1	22242283R2	<B MDD>, <B MMA>
Q1237	IC	NE5532APSR	1	22242283R2	<B MDD>, <B MMA>
Q1238	IC	NE5532APSR	1	22242283R2	<B MDD>, <B MMA>
Q1239	IC	NE5532APSR	1	22242283R2	<B MDD>, <B MMA>
Q1240	IC	NE5532APSR	1	22242283R2	
Q1241	IC	NE5532APSR	1	22242283R2	
Q1242	IC	NE5532APSR	1	22242283R2	<B MDD>, <B MMA>

Q1243	IC	NE5532APSR	1	22242283R2	<B MDD>, <B MMA>
Q1244	IC	NE5532APSR	1	22242283R2	<B MDD>, <B MMA>
Q1245	IC	NE5532APSR	1	22242283R2	<B MDD>, <B MMA>
Q1250	IC	NE5532APSR	1	22242283R2	
Q1251	IC	NE5532APSR	1	22242283R2	
Q1252	IC	NE5532APSR	1	22242283R2	
Q1253	IC	TC9162CFG(EL)	1	22242099R2	
Q1254	TR	2SC2712-GR	1	2213145R2	
Q1255	TR	2SC2712-GR	1	2213145R2	
Q3700	IC	CY2305SXC-1T	1	22242573R2	
Q3700 or	IC	CY2305ESXC-1T	(1)	22242638R2	
Q3701	IC	TC74VHCT08AFT	1	22274008GR2TO	
Q3701 or	IC	TC74VHCT08AFT (EKJ)	(1)	22274008G1R2TO	
Q3702	IC (Sub3)	XC2C64A-7VQG100(0341)	1	222W0095R303413	
Q3703	IC	CS42516-CQZ(R)-D	1	22242294R2	
Q3704	IC	TC7WU04FU(TE12L_F)	1	22240935R2	
Q3705	IC	NE5532APSR	1	22242283R2	
Q3706	IC	NE5532APSR	1	22242283R2	
Q3885	IC	TC74VHC157FT	1	22274157ER2TO	
Q3886	IC	74HCU04F	1	222740046R2	
Q3886 or	IC	TC74HCU04AF	(1)	222740046R2TO	
Q3887	IC	TC74VHC157FT	1	22274157ER2TO	
Q3888	IC	ICL3221ECVZ	1	22242268R2	
Q3889	IC	TC74VHC157FT	1	22274157ER2TO	
Q4001	IC	NE5532APSR	1	22242283R2	
Q4002	TR	2SC2240-BL(TPE2_F)	1	2211406T	
Q4003	TR	2SC2240-BL(TPE2_F)	1	2211406T	
Q4004	TR	2SC2712-GR	1	2213145R2	
Q4005	TR	2SC2712-GR	1	2213145R2	
Q4006	TR	2SC2240-BL(TPE2_F)	1	2211406T	
Q4007	TR	2SC2240-BL(TPE2_F)	1	2211406T	
Q4037	IC	NE5532APSR	1	22242283R2	<B MDD>, <B MMA>
Q4038	IC	NE5532APSR	1	22242283R2	<B MDD>, <B MMA>

Q4039	IC	NE5532APSR	1	22242283R2	<B MDD>, <B MMA>
Q4046	IC	M61540FP	1	22242497R2	
Q4047	IC	M61540FP	1	22242497R2	<B MDD>, <B MMA>
Q4500	IC	NE5532APSR	1	22242283R2	
Q4501	IC	NE5532APSR	1	22242283R2	
Q4502	IC	NE5532APSR	1	22242283R2	
Q4503	IC	NE5532APSR	1	22242283R2	
Q4504	IC	NE5532APSR	1	22242283R2	
Q4505	IC	NE5532APSR	1	22242283R2	
Q7001	TR	KRC104S	1	2216210R2	
Q7001 or	TR	RN1404	(1)	2214490R2	
Q7002	TR	KRA102S	1	2216220R2	
Q7002 or	TR	RN2402	(1)	2214530R2	
Q7003	TR	KRC104S	1	2216210R2	
Q7003 or	TR	RN1404	(1)	2214490R2	
Q7004	TR	KRA102S	1	2216220R2	
Q7004 or	TR	RN2402	(1)	2214530R2	
Q7005	TR	KRA107S	1	2216350R2	
Q7005 or	TR	RN2407(TE85L_F)	(1)	2216360R2	
Q7006	TR	KRC102S	1	2216190R2	
Q7006 or	TR	RN1402	(1)	2214470R2	
Q7007	TR	KRC102S	1	2216190R2	
Q7007 or	TR	RN1402	(1)	2214470R2	
Q7008	TR	KRA107S	1	2216350R2	
Q7008 or	TR	RN2407(TE85L_F)	(1)	2216360R2	
Q7009	TR	KRC104S	1	2216210R2	
Q7009 or	TR	RN1404	(1)	2214490R2	
Q7010	TR	KRA102S	1	2216220R2	
Q7010 or	TR	RN2402	(1)	2214530R2	
Q7011	TR	KRC102S	1	2216190R2	
Q7011 or	TR	RN1402	(1)	2214470R2	
Q7012	TR	KRC104S	1	2216210R2	
Q7012 or	TR	RN1404	(1)	2214490R2	



Q7013	TR	KRA102S	1	2216220R2	
Q7013 or	TR	RN2402	(1)	2214530R2	
Q7014	TR	KRA102S	1	2216220R2	<B MDD>, <B MMA>
Q7014 or	TR	RN2402	(1)	2214530R2	<B MDD>, <B MMA>
Q7015	TR	KRC104S	1	2216210R2	<B MDD>, <B MMA>
Q7015 or	TR	RN1404	(1)	2214490R2	<B MDD>, <B MMA>
Q7016	IC(Main)	MPD70F3746GJ-GAE-AX(0334)	1	222W0079R303340	
Q7017	IC	R1EX25064ASA00A	1	22242581R2	
Q7018	IC	NJU7706F27A3	1	22242614R2	N
Q7019	IC	74HC595F	1	222745955R2	
Q7020	TR	2SC2712-GR	1	2213145R2	
Q7021	TR	2SC2712-GR	1	2213145R2	
Q7022	IC	TC4066BFT	1	22284066MR2TO	
Q7023	IC	TA4805BF(TE16L_NQ)	1	22278005DBR2TO	N
Q7024	IC	S-812C33AUA-C2N	1	22242222R2	
Q7025	IC	XC6202P502FR	1	22242331R2	
Q7027	IC	BH33FB1WG-TR	1	22242585R2	
Q7028	IC	TA4805BF(TE16L_NQ)	1	22278005DBR2TO	N
Q7029	IC	TA48033BF(TE16L_NQ)	1	22278033DBR2TO	
Q7030	IC	TA48018BF(TE16L_NQ)	1	22278018DBR2TO	
Q7031	IC	S-812C56AUA-C3K	1	22242207R2	
Q7032	TR	KRA102S	1	2216220R2	
Q7032 or	TR	RN2402	(1)	2214530R2	
Q7033	TR	KRC104S	1	2216210R2	
Q7033 or	TR	RN1404	(1)	2214490R2	
Q7034	TR	KRA102S	1	2216220R2	
Q7034 or	TR	RN2402	(1)	2214530R2	
Q7035	TR	KRC104S	1	2216210R2	
Q7035 or	TR	RN1404	(1)	2214490R2	
Q7036	IC	74HC595F	1	222745955R2	
Q7037	IC	S3F80K9	1	22242602R3	<B MDD>, <B MMA>
Q7038	TR	2SC2712-GR	1	2213145R2	<B MDD>, <B MMA>
Q9	IC	NE5532APSR	1	22242283R2	<B MDD>, <B MMA>

[TRANS COIL]						
L1001	CHOKE COIL	LBC2518T4R7M	1	231364M047R2		
L1002	CHOKE COIL	LBC2518T4R7M	1	231364M047R2		
L1003	CHOKE COIL	LBC2518T4R7M	1	231364M047R2		
L1004	CHOKE COIL	LBC2518T4R7M	1	231364M047R2		
L1005	CHOKE COIL	LBC2518T4R7M	1	231364M047R2		
L1006	CHOKE COIL	LBC2518T4R7M	1	231364M047R2		
L1007	CHOKE COIL	LBC2518T4R7M	1	231364M047R2		
L1008	CHOKE COIL	LBC2518T4R7M	1	231364M047R2		
L1009	CHOKE COIL	LBC2518T4R7M	1	231364M047R2		
L101	CHOKE COIL	BLM21PG221SN1	1	230949R2		<B MMA>
L1010	CHOKE COIL	LBC2518T4R7M	1	231364M047R2		
L1011	CHOKE COIL	LBC2518T4R7M	1	231364M047R2		
L1012	CHOKE COIL	LBC2518T4R7M	1	231364M047R2		
L1013	CHOKE COIL	LBC2518T4R7M	1	231364M047R2		
L1014	CHOKE COIL	LBC2518T4R7M	1	231364M047R2		
L1015	CHOKE COIL	LBC2518T4R7M	1	231364M047R2		
L1016	CHOKE COIL	LBC2518T4R7M	1	231364M047R2		
L1017	CHOKE COIL	LBC2518T4R7M	1	231364M047R2		
L1018	CHOKE COIL	LBC2518T4R7M	1	231364M047R2		
L1019	CHOKE COIL	LBC2518T4R7M	1	231364M047R2		
L1020	CHOKE COIL	LBC2518T4R7M	1	231364M047R2		
L1021	CHOKE COIL	LBC2518T4R7M	1	231364M047R2		
L1022	CHOKE COIL	LBC2518T4R7M	1	231364M047R2		
L1023	CHOKE COIL	LBC2518T4R7M	1	231364M047R2		
L1024	CHOKE COIL	LBC2518T4R7M	1	231364M047R2		
L3700	CHOKE COIL	LBC2518T470M	1	231364M470R2		
L3701	CHOKE COIL	LBC2518T470M	1	231364M470R2		
L3702	CHOKE COIL	LBC2518T4R7M	1	231364M047R2		
L3703	EMIFIL	BK1608LM182-T	1	230958R1		
L3704	EMIFIL	BK1608LM182-T	1	230958R1		
L3705	CHOKE COIL	LBC2518T4R7M	1	231364M047R2		
L3706	CHOKE COIL	LBC2518T4R7M	1	231364M047R2		

L3707	CHOKE COIL	LBC2518T470M	1	231364M470R2	
L3708	CHOKE COIL	LBC2518T4R7M	1	231364M047R2	
L3709	CHOKE COIL	LBC2518T4R7M	1	231364M047R2	
L3710	EMIFIL	BK1608LM182-T	1	230958R1	
L3711	CHOKE COIL	LBC2518T4R7M	1	231364M047R2	
L3712	EMIFIL	BK1608LM182-T	1	230958R1	
L3713	EMIFIL	BK1608LM182-T	1	230958R1	
L3884	CHOKE COIL	LBC2518T2R2M	1	231364M022R2	
L3885	CHOKE COIL	LBC2518T470M	1	231364M470R2	
L3886	CHOKE COIL	LBC2518T2R2M	1	231364M022R2	
L3887	CHOKE COIL	LBC2518T2R2M	1	231364M022R2	
L3888	CHOKE COIL	LBC2518T470M	1	231364M470R2	
L3889	CHOKE COIL	LBC2518T470M	1	231364M470R2	
L3890	CHOKE COIL	LBC2518T470M	1	231364M470R2	
L3892	EMIFIL	BK1608LM182-T	1	230958R1	
L3893	EMIFIL	BK1608LM182-T	1	230958R1	
L7001	CHOKE COIL	LBC2518T470M	1	231364M470R2	
X101	CRYSTAL	HC-49S 4.332MHz	1	3010469T	<B MMA>
X3700	CRYSTAL	HC-49US24.576MHz	1	3010423T	
X7001	CERA LOCK	CSTCR5M00G53-B0	1	3010356R2	
X7301	CERA LOCK	CSTCE8M00G55-R0	1	3010416R2	<B MDD>, <B MMA>
<b>[CAPACITOR]</b>					
C1001	C-FILM C	ECHU16V-104J	1	373041044R2	
C1002	C-FILM C	ECHU16V-104J	1	373041044R2	
C1003	C-FILM C	ECHU16V-104J	1	373041044R2	
C1004	UTSP C	CE04W10V-220M(UTSP)	1	397532217T	
C1005	C-FILM C	ECHU16V-104J	1	373041044R2	
C1006	UTSP C	CE04W10V-220M(UTSP)	1	397532217T	
C1007	UTSP C	CE04W10V-220M(UTSP)	1	397532217T	
C1008	UTSP C	CE04W10V-220M(UTSP)	1	397532217T	
C1009	UTSP C	CE04W10V-220M(UTSP)	1	397532217T	
C101	C-CERA C	CC725CH1H-331J1	1	342103314R1	<B MMA>
C1010	UTSP C	CE04W10V-220M(UTSP)	1	397532217T	

C1011	UTSJ C	CE04W25V-47M(UTSJ)	1	398054707T	
C1012	UTSJ C	CE04W25V-47M(UTSJ)	1	398054707T	
C1013	C-FILM C	ECHU16V-104J	1	373041044R2	
C1014	C-FILM C	ECHU16V-104J	1	373041044R2	
C1015	UTSP C	CE04W10V-220M(UTSP)	1	397532217T	
C1016	UTSP C	CE04W10V-220M(UTSP)	1	397532217T	
C1017	C-FILM C	ECHU16V-104J	1	373041044R2	
C1018	C-FILM C	ECHU16V-104J	1	373041044R2	
C1019	C-FILM C	ECHU16V-104J	1	373041044R2	
C102	UTSP C	CE04W50V-10M(UTSP)	1	397581007T	<B MMA>
C1020	UTSP C	CE04W10V-220M(UTSP)	1	397532217T	
C1021	C-FILM C	ECHU16V-104J	1	373041044R2	
C1022	UTSP C	CE04W10V-220M(UTSP)	1	397532217T	
C1023	UTSP C	CE04W10V-220M(UTSP)	1	397532217T	
C1024	UTSP C	CE04W10V-220M(UTSP)	1	397532217T	
C1025	UTSP C	CE04W10V-220M(UTSP)	1	397532217T	
C1026	UTSP C	CE04W10V-220M(UTSP)	1	397532217T	
C1027	UTSJ C	CE04W25V-47M(UTSJ)	1	398054707T	
C1028	UTSJ C	CE04W25V-47M(UTSJ)	1	398054707T	
C1029	C-FILM C	ECHU16V-104J	1	373041044R2	
C103	UTSP C	CE04W50V-10M(UTSP)	1	397581007T	<B MMA>
C1030	C-FILM C	ECHU16V-104J	1	373041044R2	
C1031	UTSP C	CE04W10V-220M(UTSP)	1	397532217T	
C1032	UTSP C	CE04W10V-220M(UTSP)	1	397532217T	
C1033	C-FILM C	ECHU16V-104J	1	373041044R2	
C1034	C-FILM C	ECHU16V-104J	1	373041044R2	
C1035	C-FILM C	ECHU16V-104J	1	373041044R2	
C1036	UTSP C	CE04W10V-220M(UTSP)	1	397532217T	
C1037	C-FILM C	ECHU16V-104J	1	373041044R2	
C1038	UTSP C	CE04W10V-220M(UTSP)	1	397532217T	
C1039	UTSP C	CE04W10V-220M(UTSP)	1	397532217T	
C104	C-CERA C	CK725B1H-103K1	1	332101035R1	<B MMA>
C1040	UTSP C	CE04W10V-220M(UTSP)	1	397532217T	

C1041	UTSP C	CE04W10V-220M(UTSP)	1	397532217T	
C1042	UTSP C	CE04W10V-220M(UTSP)	1	397532217T	
C1043	UTSJ C	CE04W25V-47M(UTSJ)	1	398054707T	
C1044	UTSJ C	CE04W25V-47M(UTSJ)	1	398054707T	
C1045	C-FILM C	ECHU16V-104J	1	373041044R2	
C1046	C-FILM C	ECHU16V-104J	1	373041044R2	
C1047	UTSP C	CE04W10V-220M(UTSP)	1	397532217T	
C1048	UTSP C	CE04W10V-220M(UTSP)	1	397532217T	
C105	C-CERA C	CC725CH1H-331J1	1	342103314R1	<B MMA>
C106	C-CERA C	CK725F1E-104Z1	1	332161040R1	<B MMA>
C107	C-CERA C	CC725CH1H-150J1	1	342101504R1	<B MMA>
C108	C-CERA C	CC725CH1H-150J1	1	342101504R1	<B MMA>
C109	C-CERA C	CC725CH1H-221J1	1	342102214R1	<B MMA>
C1200	C-FILM C	ECHU50V-152J	1	373021524R2	
C1201	C-FILM C	ECHU50V-152J	1	373021524R2	
C1202	C-FILM C	ECHU50V-152J	1	373021524R2	
C1203	C-FILM C	ECHU50V-152J	1	373021524R2	
C1204	C-FILM C	ECHU50V-152J	1	373021524R2	
C1205	MKT C	B32529C0152J289	1	376491524T	
C1206	MKT C	B32529C0152J289	1	376491524T	
C1207	C-FILM C	ECHU50V-152J	1	373021524R2	
C1208	MKT C	B32529C0152J289	1	376491524T	
C1209	MKT C	B32529C0152J289	1	376491524T	
C1210	C-FILM C	ECHU50V-152J	1	373021524R2	
C1211	C-FILM C	ECHU50V-152J	1	373021524R2	
C1212	C-FILM C	ECHU50V-152J	1	373021524R2	
C1213	C-FILM C	ECHU50V-152J	1	373021524R2	
C1214	C-FILM C	ECHU50V-152J	1	373021524R2	
C1215	MKT C	B32529C0152J289	1	376491524T	
C1216	MKT C	B32529C0152J289	1	376491524T	
C1217	C-FILM C	ECHU50V-152J	1	373021524R2	
C1218	MKT C	B32529C0152J289	1	376491524T	
C1219	MKT C	B32529C0152J289	1	376491524T	

C1220	UPZ C	2AUPZTF101JE	1	376331014T	
C1221	UPZ C	2AUPZTF101JE	1	376331014T	
C1222	UPZ C	2AUPZTF101JE	1	376331014T	
C1223	UPZ C	2AUPZTF101JE	1	376331014T	
C1224	UPZ C	2AUPZTF101JE	1	376331014T	
C1225	UPZ C	2AUPZTF101JE	1	376331014T	
C1226	UPZ C	2AUPZTF101JE	1	376331014T	
C1227	UPZ C	2AUPZTF101JE	1	376331014T	
C1228	UPZ C	2AUPZTF101JE	1	376331014T	
C1229	UPZ C	2AUPZTF101JE	1	376331014T	
C1230	UPZ C	2AUPZTF331JE	1	376333314T	<B MDD>, <B MMA>
C1231	UPZ C	2AUPZTF331JE	1	376333314T	<B MDD>, <B MMA>
C1232	UPZ C	2AUPZTF331JE	1	376333314T	<B MDD>, <B MMA>
C1233	UPZ C	2AUPZTF331JE	1	376333314T	<B MDD>, <B MMA>
C1234	UPZ C	2AUPZTF331JE	1	376333314T	<B MDD>, <B MMA>
C1235	UPZ C	2AUPZTF331JE	1	376333314T	<B MDD>, <B MMA>
C1236	UPZ C	2AUPZTF331JE	1	376333314T	<B MDD>, <B MMA>
C1237	UPZ C	2AUPZTF331JE	1	376333314T	<B MDD>, <B MMA>
C1238	UPZ C	2AUPZTF331JE	1	376333314T	<B MDD>, <B MMA>
C1239	UPZ C	2AUPZTF331JE	1	376333314T	<B MDD>, <B MMA>
C1240	UPZ C	2AUPZTF331JE	1	376333314T	<B MDD>, <B MMA>
C1241	UPZ C	2AUPZTF331JE	1	376333314T	<B MDD>, <B MMA>
C1242	UPZ C	2AUPZTF331JE	1	376333314T	<B MDD>, <B MMA>
C1243	UPZ C	2AUPZTF331JE	1	376333314T	<B MDD>, <B MMA>
C1244	UPZ C	2AUPZTF331JE	1	376333314T	<B MDD>, <B MMA>
C1245	UPZ C	2AUPZTF331JE	1	376333314T	<B MDD>, <B MMA>
C1246	UPZ C	2AUPZTF331JE	1	376333314T	<B MDD>, <B MMA>
C1247	UPZ C	2AUPZTF331JE	1	376333314T	<B MDD>, <B MMA>
C1248	UPZ C	2AUPZTF331JE	1	376333314T	<B MDD>, <B MMA>
C1249	UPZ C	2AUPZTF331JE	1	376333314T	<B MDD>, <B MMA>
C1250	MKT C	B32529C0682J289	1	376496824T	<B MDD>, <B MMA>
C1251	MKT C	B32529C0682J289	1	376496824T	<B MDD>, <B MMA>
C1252	MKT C	B32529C0682J289	1	376496824T	<B MDD>, <B MMA>

C1253	MKT C	B32529C0682J289	1	376496824T	<B MDD>, <B MMA>
C1254	MKT C	B32529C0682J289	1	376496824T	<B MDD>, <B MMA>
C1255	MKT C	B32529C0682J289	1	376496824T	<B MDD>, <B MMA>
C1256	MKT C	B32529C0682J289	1	376496824T	<B MDD>, <B MMA>
C1257	MKT C	B32529C0682J289	1	376496824T	<B MDD>, <B MMA>
C1258	MKT C	B32529C0682J289	1	376496824T	<B MDD>, <B MMA>
C1259	MKT C	B32529C0682J289	1	376496824T	<B MDD>, <B MMA>
C1260	UPZ C	2AUPZTF221JE	1	376332214T	<B MDD>, <B MMA>
C1261	UPZ C	2AUPZTF221JE	1	376332214T	<B MDD>, <B MMA>
C1262	UPZ C	2AUPZTF221JE	1	376332214T	<B MDD>, <B MMA>
C1263	UPZ C	2AUPZTF221JE	1	376332214T	<B MDD>, <B MMA>
C1264	UPZ C	2AUPZTF221JE	1	376332214T	<B MDD>, <B MMA>
C1265	UPZ C	2AUPZTF221JE	1	376332214T	<B MDD>, <B MMA>
C1266	UPZ C	2AUPZTF221JE	1	376332214T	<B MDD>, <B MMA>
C1267	UPZ C	2AUPZTF221JE	1	376332214T	<B MDD>, <B MMA>
C1268	UPZ C	2AUPZTF221JE	1	376332214T	<B MDD>, <B MMA>
C1269	UPZ C	2AUPZTF221JE	1	376332214T	<B MDD>, <B MMA>
C1270	UPZ C	2AUPZTF101JE	1	376331014T	<B MDD>, <B MMA>
C1271	UPZ C	2AUPZTF101JE	1	376331014T	<B MDD>, <B MMA>
C1272	UPZ C	2AUPZTF101JE	1	376331014T	<B MDD>, <B MMA>
C1273	UPZ C	2AUPZTF101JE	1	376331014T	<B MDD>, <B MMA>
C1274	UPZ C	2AUPZTF101JE	1	376331014T	<B MDD>, <B MMA>
C1275	UPZ C	2AUPZTF101JE	1	376331014T	<B MDD>, <B MMA>
C1276	UPZ C	2AUPZTF101JE	1	376331014T	<B MDD>, <B MMA>
C1277	UPZ C	2AUPZTF101JE	1	376331014T	<B MDD>, <B MMA>
C1278	UPZ C	2AUPZTF101JE	1	376331014T	<B MDD>, <B MMA>
C1279	UPZ C	2AUPZTF101JE	1	376331014T	<B MDD>, <B MMA>
C1280	C-FILM C	ECHU50V-222J	1	373022224R2	<B MDD>, <B MMA>
C1281	C-FILM C	ECHU50V-222J	1	373022224R2	<B MDD>, <B MMA>
C1282	C-FILM C	ECHU50V-222J	1	373022224R2	<B MDD>, <B MMA>
C1283	C-FILM C	ECHU50V-222J	1	373022224R2	<B MDD>, <B MMA>
C1284	C-FILM C	ECHU50V-222J	1	373022224R2	<B MDD>, <B MMA>
C1285	C-FILM C	ECHU50V-222J	1	373022224R2	<B MDD>, <B MMA>

C1286	C-FILM C	ECHU50V-222J	1	373022224R2	<B MDD>, <B MMA>
C1287	C-FILM C	ECHU50V-222J	1	373022224R2	<B MDD>, <B MMA>
C1288	C-FILM C	ECHU50V-222J	1	373022224R2	<B MDD>, <B MMA>
C1289	C-FILM C	ECHU50V-222J	1	373022224R2	<B MDD>, <B MMA>
C1290	UTSP C	CE04W25V-220M(UTSP)	1	397552217T	
C1291	UTSP C	CE04W25V-220M(UTSP)	1	397552217T	
C1292	UTSP C	CE04W25V-220M(UTSP)	1	397552217T	
C1293	UTSP C	CE04W25V-220M(UTSP)	1	397552217T	
C1294	UTSP C	CE04W25V-220M(UTSP)	1	397552217T	
C1295	UTSP C	CE04W25V-220M(UTSP)	1	397552217T	
C1296	UTSP C	CE04W25V-220M(UTSP)	1	397552217T	
C1297	UTSP C	CE04W25V-220M(UTSP)	1	397552217T	
C1298	UTSP C	CE04W25V-220M(UTSP)	1	397552217T	
C1299	UTSP C	CE04W25V-220M(UTSP)	1	397552217T	
C1410	MKT C	B32529C0152J289	1	376491524T	
C1411	MKT C	B32529C0152J289	1	376491524T	
C1420	MKT C	B32529C0152J289	1	376491524T	
C1421	MKT C	B32529C0152J289	1	376491524T	
C1430	UPZ C	2AUPZTF101JE	1	376331014T	
C1431	UPZ C	2AUPZTF101JE	1	376331014T	
C1440	UPZ C	2AUPZTF331JE	1	376333314T	<B MDD>, <B MMA>
C1441	UPZ C	2AUPZTF331JE	1	376333314T	<B MDD>, <B MMA>
C1450	UPZ C	2AUPZTF331JE	1	376333314T	<B MDD>, <B MMA>
C1451	UPZ C	2AUPZTF331JE	1	376333314T	<B MDD>, <B MMA>
C1460	MKT C	B32529C0682J289	1	376496824T	<B MDD>, <B MMA>
C1461	MKT C	B32529C0682J289	1	376496824T	<B MDD>, <B MMA>
C1470	UPZ C	2AUPZTF221JE	1	376332214T	<B MDD>, <B MMA>
C1471	UPZ C	2AUPZTF221JE	1	376332214T	<B MDD>, <B MMA>
C1480	UPZ C	2AUPZTF101JE	1	376331014T	<B MDD>, <B MMA>
C1481	UPZ C	2AUPZTF101JE	1	376331014T	<B MDD>, <B MMA>
C1490	C-FILM C	ECHU50V-222J	1	373022224R2	<B MDD>, <B MMA>
C1491	C-FILM C	ECHU50V-222J	1	373022224R2	<B MDD>, <B MMA>
C1500	UTSP C	CE04W25V-220M(UTSP)	1	397552217T	



C1501	UTSP C	CE04W25V-220M(UTSP)	1	397552217T	
C1510	C-CERA C	CK725B1H-472K1	1	332104725R1	
C1511	C-CERA C	CK725B1H-472K1	1	332104725R1	
C1512	C-CERA C	CK725B1H-472K1	1	332104725R1	
C1513	C-CERA C	CK725B1H-472K1	1	332104725R1	
C1514	C-CERA C	CK725B1H-472K1	1	332104725R1	
C21	VR C	CE04W16V-220M(VR)	1	394642217T	<B MDD>, <B MMA>
C26	VR C	CE04W16V-220M(VR)	1	394642217T	<B MDD>, <B MMA>
C3	VR C	CE04W16V-100M(VR)	1	394641017T	<B MDD>, <B MMA>
C3703	C-CERA C	CK725F1E-104Z1	1	332161040R1	
C3705	UTSJ C	CE04W25V-47M(UTSJ)	1	398054707T	
C3706	C-CERA C	CK725F1E-104Z1	1	332161040R1	
C3707	C-CERA C	CK725F1E-104Z1	1	332161040R1	
C3709	C-CERA C	CK725F1E-104Z1	1	332161040R1	
C3710	VR C	CE04W16V-100M(VR)	1	394641017T	
C3711	C-CERA C	CK725F1E-104Z1	1	332161040R1	
C3712	C-CERA C	CK725F1E-104Z1	1	332161040R1	
C3713	C-CERA C	CK725F1E-104Z1	1	332161040R1	
C3714	UTSJ C	CE04W25V-47M(UTSJ)	1	398054707T	
C3715	VR C	CE04W16V-100M(VR)	1	394641017T	
C3716	UTSP C	CE04W10V-470M(UTSP)	1	397534717T	
C3717	C-FILM C	ECHU50V-222J	1	373022224R2	
C3718	C-FILM C	ECHU50V-222J	1	373022224R2	
C3719	C-CERA C	CK725F1E-104Z1	1	332161040R1	
C3720	C-CERA C	CK725B1H-102K1	1	332101025R1	
C3721	C-CERA C	CK725B1H-223K1	1	332102235R1	
C3722	C-CERA C	CK725F1E-104Z1	1	332161040R1	
C3723	C-CERA C	CK725F1E-104Z1	1	332161040R1	
C3724	C-CERA C	CK725F1E-104Z1	1	332161040R1	
C3725	C-CERA C	CK725F1E-104Z1	1	332161040R1	
C3726	C-CERA C	CK725B1H-102K1	1	332101025R1	
C3727	UTSP C	CE04W10V-470M(UTSP)	1	397534717T	
C3728	UTSP C	CE04W10V-470M(UTSP)	1	397534717T	

C3729	UTSP C	CE04W10V-470M(UTSP)	1	397534717T
C3730	C-CERA C	CK725F1E-104Z1	1	332161040R1
C3731	C-CERA C	CK725F1E-104Z1	1	332161040R1
C3732	C-CERA C	CK725F1E-104Z1	1	332161040R1
C3733	C-CERA C	CC725CH1H-330J1	1	342103304R1
C3734	C-CERA C	CK725F1E-104Z1	1	332161040R1
C3735	C-CERA C	CC725CH1H-330J1	1	342103304R1
C3737	UTSP C	CE04W10V-470M(UTSP)	1	397534717T
C3738	UTSP C	CE04W10V-470M(UTSP)	1	397534717T
C3739	C-CERA C	CK725F1E-104Z1	1	332161040R1
C3740	C-CERA C	CK725F1E-104Z1	1	332161040R1
C3742	C-CERA C	CC725CH1H-060D1	1	342100602R1
C3743	C-CERA C	CC725CH1H-060D1	1	342100602R1
C3745	UTSP C	CE04W25V-220M(UTSP)	1	397552217T
C3746	UTSP C	CE04W25V-220M(UTSP)	1	397552217T
C3747	UTSP C	CE04W25V-47M(UTSP)	1	397554707T
C3748	UTSP C	CE04W25V-47M(UTSP)	1	397554707T
C3749	UTSP C	CE04W25V-47M(UTSP)	1	397554707T
C3750	UTSP C	CE04W25V-47M(UTSP)	1	397554707T
C3886	C-CERA C	CK725B1C-104K1	1	332121045R1
C3887	C-CERA C	CC725CH1H-101J1	1	342101014R1
C3888	VR C	CE04W16V-100M(VR)	1	394641017T
C3889	C-CERA C	CC725CH1H-101J1	1	342101014R1
C3890	C-CERA C	CK725F1E-104Z1	1	332161040R1
C3891	C-CERA C	CK725F1E-104Z1	1	332161040R1
C3892	C-CERA C	CK725B1C-104K1	1	332121045R1
C3893	C-CERA C	CC725CH1H-080D1	1	342100802R1
C3894	C-CERA C	CK725B1C-104K1	1	332121045R1
C3895	C-CERA C	CC725CH1H-080D1	1	342100802R1
C3896	C-CERA C	CC725CH1H-101J1	1	342101014R1
C3897	C-CERA C	CK725F1E-104Z1	1	332161040R1
C3898	C-CERA C	CC725CH1H-080D1	1	342100802R1
C3899	C-CERA C	CK725F1E-104Z1	1	332161040R1

C3900	C-CERA C	CK725F1E-104Z1	1	332161040R1	
C3901	UTSP C	CE04W50V-1M(UTSP)	1	397580107T	
C3902	C-CERA C	CK725F1E-104Z1	1	332161040R1	
C3903	UTSP C	CE04W50V-1M(UTSP)	1	397580107T	
C3904	VR C	CE04W16V-100M(VR)	1	394641017T	
C3905	C-CERA C	CK725F1E-104Z1	1	332161040R1	
C3906	UTSP C	CE04W50V-1M(UTSP)	1	397580107T	
C3907	UTSP C	CE04W50V-1M(UTSP)	1	397580107T	
C3908	C-CERA C	CK725F1E-104Z1	1	332161040R1	
C3909	C-CERA C	CK725B1H-102K1	1	332101025R1	
C3910	C-CERA C	CK725F1E-104Z1	1	332161040R1	<B MDD>, <B MMA>
C3911	C-CERA C	CK725B1H-102K1	1	332101025R1	
C3912	VR C	CE04W16V-100M(VR)	1	394641017T	
C4	C-CERA C	CC725CH1H-101J1	1	342101014R1	<B MDD>, <B MMA>
C4003	UTSP C	CE04W50V 47M(UTSP)	1	397584707T	
C4004	UTSP C	CE04W50V 47M(UTSP)	1	397584707T	
C4005	C-CERA C	CC725CH1H-221J1	1	342102214R1	
C4006	C-CERA C	CC725CH1H-221J1	1	342102214R1	
C4007	UTSP C	CE04W50V 47M(UTSP)	1	397584707T	
C4008	UTSP C	CE04W50V 47M(UTSP)	1	397584707T	
C4009	C-CERA C	CC725CH1H-152J1	1	342101524R1	
C4010	C-CERA C	CC725CH1H-152J1	1	342101524R1	
C4011	UTSP C	CE04W25V-220M(UTSP)	1	397552217T	
C4012	UTSP C	CE04W25V-220M(UTSP)	1	397552217T	
C4013	MKT C	B32529C0682J289	1	376496824T	
C4014	C-FILM C	ECHU50V-182J	1	373021824R2	
C4015	MKT C	B32529C0682J289	1	376496824T	
C4016	C-FILM C	ECHU50V-182J	1	373021824R2	
C4017	UTSP C	CE04W50V-22M(UTSP)	1	397582207T	
C4018	UTSP C	CE04W50V-22M(UTSP)	1	397582207T	
C4019	MKT C	B32529C0222J289	1	376492224T	
C4020	MKT C	B32529C0222J289	1	376492224T	
C4021	UTSP C	CE04W25V-220M(UTSP)	1	397552217T	

C4022	UTSP C	CE04W25V-220M(UTSP)	1	397552217T	
C4500	UTSP C	CE04W50V 47M(UTSP)	1	397584707T	
C4501	UTSP C	CE04W50V 47M(UTSP)	1	397584707T	
C4502	UTSP C	CE04W50V 47M(UTSP)	1	397584707T	
C4503	UTSP C	CE04W50V 47M(UTSP)	1	397584707T	
C4504	UTSP C	CE04W50V 47M(UTSP)	1	397584707T	
C4505	UTSP C	CE04W50V 47M(UTSP)	1	397584707T	
C4506	UTSP C	CE04W50V 47M(UTSP)	1	397584707T	
C4507	UTSP C	CE04W50V 47M(UTSP)	1	397584707T	
C4508	UTSP C	CE04W50V 47M(UTSP)	1	397584707T	
C4509	UTSP C	CE04W50V 47M(UTSP)	1	397584707T	
C4510	UTSP C	CE04W50V 47M(UTSP)	1	397584707T	
C4511	UTSP C	CE04W50V 47M(UTSP)	1	397584707T	
C4512	UTSP C	CE04W50V 47M(UTSP)	1	397584707T	
C4513	UTSP C	CE04W50V 47M(UTSP)	1	397584707T	
C4514	UTSP C	CE04W50V 47M(UTSP)	1	397584707T	
C4515	UTSP C	CE04W50V 47M(UTSP)	1	397584707T	
C4516	UTSP C	CE04W50V 47M(UTSP)	1	397584707T	
C4517	UTSP C	CE04W50V 47M(UTSP)	1	397584707T	
C4518	UTSP C	CE04W50V 47M(UTSP)	1	397584707T	
C4519	UTSP C	CE04W50V 47M(UTSP)	1	397584707T	
C4520	UTSP C	CE04W50V 47M(UTSP)	1	397584707T	
C4521	UTSP C	CE04W50V 47M(UTSP)	1	397584707T	
C4522	UTSP C	CE04W50V-100M(UTSP)	1	397581017T	
C4523	UTSP C	CE04W50V-100M(UTSP)	1	397581017T	
C47	UTSP C	CE04W50V-10M(UTSP)	1	397581007T	<B MDD>, <B MMA>
C48	UTSP C	CE04W50V-10M(UTSP)	1	397581007T	<B MDD>, <B MMA>
C4900	CHIP ELECT C	CEWX4V-22M	1	3981G2207R2	
C4901	CHIP ELECT C	CEWX4V-22M	1	3981G2207R2	
C4902	CHIP ELECT C	CEWX4V-22M	1	3981G2207R2	<B MDD>, <B MMA>
C4903	CHIP ELECT C	CEWX4V-22M	1	3981G2207R2	<B MDD>, <B MMA>
C4904	UTSP C	CE04W25V-47M(UTSP)	1	397554707T	
C4905	UTSP C	CE04W25V-47M(UTSP)	1	397554707T	

C4906	CHIP ELECT C	CEWX4V-22M	1	3981G2207R2	
C4907	CHIP ELECT C	CEWX4V-22M	1	3981G2207R2	
C4908	TF C	ECQ-V50V-333J	1	374723334T	
C4909	TF C	ECQ-V50V-333J	1	374723334T	
C4910	TF C	ECQ-V50V-224J	1	374722244T	
C4911	TF C	ECQ-V50V-473J	1	374724734T	
C4912	TF C	ECQ-V50V-224J	1	374722244T	
C4913	TF C	ECQ-V50V-473J	1	374724734T	
C4914	CHIP ELECT C	CEWX4V-22M	1	3981G2207R2	
C4915	CHIP ELECT C	CEWX4V-22M	1	3981G2207R2	
C4916	UTSP C	CE04W25V-220M(UTSP)	1	397552217T	
C4917	CHIP ELECT C	CEWX4V-22M	1	3981G2207R2	<B MDD>, <B MMA>
C4918	CHIP ELECT C	CEWX4V-22M	1	3981G2207R2	<B MDD>, <B MMA>
C4919	TF C	ECQ-V50V-333J	1	374723334T	<B MDD>, <B MMA>
C4920	TF C	ECQ-V50V-333J	1	374723334T	<B MDD>, <B MMA>
C4921	TF C	ECQ-V50V-224J	1	374722244T	<B MDD>, <B MMA>
C4922	TF C	ECQ-V50V-473J	1	374724734T	<B MDD>, <B MMA>
C4923	TF C	ECQ-V50V-224J	1	374722244T	<B MDD>, <B MMA>
C4924	TF C	ECQ-V50V-473J	1	374724734T	<B MDD>, <B MMA>
C4925	CHIP ELECT C	CEWX4V-22M	1	3981G2207R2	<B MDD>, <B MMA>
C4926	CHIP ELECT C	CEWX4V-22M	1	3981G2207R2	<B MDD>, <B MMA>
C4927	UTSP C	CE04W25V-220M(UTSP)	1	397552217T	<B MDD>, <B MMA>
C4928	CHIP ELECT C	CEWX4V-22M	1	3981G2207R2	
C4929	CHIP ELECT C	CEWX4V-22M	1	3981G2207R2	
C4951	CHIP ELECT C	CEWX4V-22M	1	3981G2207R2	<B MDD>, <B MMA>
C4952	CHIP ELECT C	CEWX4V-22M	1	3981G2207R2	<B MDD>, <B MMA>
C4953	CHIP ELECT C	CEWX4V-22M	1	3981G2207R2	<B MDD>, <B MMA>
C4954	CHIP ELECT C	CEWX4V-22M	1	3981G2207R2	<B MDD>, <B MMA>
C4959	CHIP ELECT C	CEWX4V-22M	1	3981G2207R2	<B MDD>, <B MMA>
C4960	CHIP ELECT C	CEWX4V-22M	1	3981G2207R2	<B MDD>, <B MMA>
C4963	UTSP C	CE04W25V-47M(UTSP)	1	397554707T	<B MDD>, <B MMA>
C4964	UTSP C	CE04W25V-47M(UTSP)	1	397554707T	<B MDD>, <B MMA>
C50	UTSP C	CE04W50V-10M(UTSP)	1	397581007T	<B MDD>, <B MMA>

C51	UTSP C	CE04W50V-10M(UTSP)	1	397581007T	<B MDD>, <B MMA>
C52	UTSP C	CE04W50V-10M(UTSP)	1	397581007T	<B MDD>
C53	UTSP C	CE04W50V-10M(UTSP)	1	397581007T	<B MDD>
C55	UTSP C	CE04W50V-10M(UTSP)	1	397581007T	<B MDD>
C5569	UTSP C	CE04W50V 47M(UTSP)	1	397584707T	
C5570	UTSP C	CE04W50V 47M(UTSP)	1	397584707T	
C5571	UTSP C	CE04W50V 47M(UTSP)	1	397584707T	
C5577	UTSP C	CE04W50V 47M(UTSP)	1	397584707T	
C5578	UTSP C	CE04W50V 47M(UTSP)	1	397584707T	
C56	UTSP C	CE04W50V-10M(UTSP)	1	397581007T	<B MDD>
C7001	C-CERA C	CK725F1A-105Z1	1	332181050R1	
C7002	C-CERA C	CK725F1E-104Z1	1	332161040R1	
C7004	C-CERA C	CK725F1A-105Z1	1	332181050R1	
C7005	C-CERA C	CK725F1A-105Z1	1	332181050R1	
C7006	C-CERA C	CK725F1E-104Z1	1	332161040R1	
C7007	C-CERA C	CK725F1A-105Z1	1	332181050R1	
C7008	C-CERA C	CC725CH1H-101J1	1	342101014R1	
C7009	C-CERA C	CC725CH1H-101J1	1	342101014R1	
C7010	C-CERA C	CK725F1A-105Z1	1	332181050R1	<B MDD>, <B MMA>
C7011	C-CERA C	CK725F1A-105Z1	1	332181050R1	<B MDD>, <B MMA>
C7012	C-CERA C	CK725B1H-102K1	1	332101025R1	
C7013	C-CERA C	CK725B1H-102K1	1	332101025R1	
C7014	UTSP C	CE04W50V-4.7M(UTSP)	1	397580477T	
C7015	C-CERA C	CK725F1E-104Z1	1	332161040R1	
C7016	C-CERA C	CK725B1H-102K1	1	332101025R1	
C7017	C-CERA C	CK725B1H-102K1	1	332101025R1	
C7018	C-CERA C	CK725B1H-102K1	1	332101025R1	
C7019	C-CERA C	CK725B1H-102K1	1	332101025R1	
C7020	C-CERA C	CK725F1E-104Z1	1	332161040R1	
C7021	C-CERA C	CK725F1E-104Z1	1	332161040R1	
C7022	C-CERA C	CK725F1E-104Z1	1	332161040R1	
C7023	C-CERA C	CK725F1E-104Z1	1	332161040R1	
C7024	C-CERA C	CK725F1E-104Z1	1	332161040R1	

C7025	C-CERA C	CK725F1E-104Z1	1	332161040R1	
C7026	C-CERA C	CK725B1H-102K1	1	332101025R1	
C7027	C-CERA C	CK725F1E-104Z1	1	332161040R1	
C7028	C-CERA C	CK725F1E-104Z1	1	332161040R1	
C7029	C-CERA C	CK725F1E-104Z1	1	332161040R1	
C7030	UTSP C	CE04W50V 47M(UTSP)	1	397584707T	
C7031	UTSP C	CE04W50V 47M(UTSP)	1	397584707T	
C7033	C-CERA C	CK725F1E-104Z1	1	332161040R1	
C7034	VR C	CE04W16V-100M(VR)	1	394641017T	
C7035	C-CERA C	CK725F1E-104Z1	1	332161040R1	
C7037	UTSP C	CE04W50V-10M(UTSP)	1	397581007T	
C7038	UTSP C	CE04W50V 47M(UTSP)	1	397584707T	
C7039	UTSP C	CE04W50V-10M(UTSP)	1	397581007T	
C7040	UTSP C	CE04W50V-10M(UTSP)	1	397581007T	
C7041	VR C	CE04W16V-100M(VR)	1	394641017T	
C7042	UTSP C	CE04W50V-10M(UTSP)	1	397581007T	
C7043	VR C	CE04W16V-100M(VR)	1	394641017T	
C7044	VR C	CE04W16V-100M(VR)	1	394641017T	
C7046	VR C	CE04W16V-100M(VR)	1	394641017T	
C7047	C-CERA C	CK725F1E-104Z1	1	332161040R1	
C7051	VR C	CE04W16V-100M(VR)	1	394641017T	
C7052	UTSP C	CE04W50V-10M(UTSP)	1	397581007T	
C7053	VR C	CE04W16V-100M(VR)	1	394641017T	
C7054	VR C	CE04W16V-100M(VR)	1	394641017T	
C7055	VR C	CE04W16V-100M(VR)	1	394641017T	
C7056	C-CERA C	CK725F1A-105Z1	1	332181050R1	
C7057	UTSP C	CE04W50V-10M(UTSP)	1	397581007T	
C7058	C-CERA C	CK725F1E-104Z1	1	332161040R1	
C7059	VR C	CE04W6.3V-470M(VR)	1	394624717T	
C7060	C-CERA C	CK725F1A-105Z1	1	332181050R1	
C7061	C-CERA C	CK725F1A-105Z1	1	332181050R1	
C7302	VR C	CE04W6.3V-470M(VR)	1	394624717T	<B MDD>, <B MMA>
C7303	C-CERA C	CK725F1E-104Z1	1	332161040R1	<B MDD>, <B MMA>

C7304	C-CERA C	CK725F1E-104Z1	1	332161040R1
C7305	C-CERA C	CK725F1A-105Z1	1	332181050R1
C7306	C-CERA C	CK725F1A-105Z1	1	332181050R1
C7307	C-CERA C	CK725F1A-105Z1	1	332181050R1
C7308	C-CERA C	CK725F1A-105Z1	1	332181050R1
C7309	C-CERA C	CK725F1A-105Z1	1	332181050R1
C7310	C-CERA C	CK725F1A-105Z1	1	332181050R1
C7311	C-CERA C	CK725B1H-102K1	1	332101025R1
C7312	C-CERA C	CK725B1H-102K1	1	332101025R1
<b>[RESISTOR]</b>				
R1001	C-CARBON R	RN72K1J-103JE	1	435031034R1
R1002	C-CARBON R	RN72K1J-103JE	1	435031034R1
R1003	C-CARBON R	RN72K1J-331JE	1	435033314R1
R1004	C-CARBON R	RN72K1J-331JE	1	435033314R1
R1005	C-CARBON R	RN72K1J-331JE	1	435033314R1
R1006	C-CARBON R	RN72K1J-331JE	1	435033314R1
R1007	C-CARBON R	RN72K1J-331JE	1	435033314R1
R1008	C-CARBON R	RN72K1J-331JE	1	435033314R1
R1009	C-CARBON R	RN72K1J-750JE	1	435037504R1
R1010	C-CARBON R	RN72K1J-750JE	1	435037504R1
R1011	C-CARBON R	RN72K1J-103JE	1	435031034R1
R1012	C-CARBON R	RN72K1J-103JE	1	435031034R1
R1013	C-CARBON R	RN72K1J-331JE	1	435033314R1
R1014	C-CARBON R	RN72K1J-331JE	1	435033314R1
R1015	C-CARBON R	RN72K1J-331JE	1	435033314R1
R1016	C-CARBON R	RN72K1J-331JE	1	435033314R1
R1017	C-CARBON R	RN72K1J-331JE	1	435033314R1
R1018	C-CARBON R	RN72K1J-331JE	1	435033314R1
R1019	C-CARBON R	RN72K1J-470JE	1	435034704R1
R1020	C-CARBON R	RN72K1J-470JE	1	435034704R1
R1021	C-CARBON R	RN72K1J-331JE	1	435033314R1
R1022	C-CARBON R	RN72K1J-331JE	1	435033314R1
R1023	C-CARBON R	RN72K1J-103JE	1	435031034R1



R1024	C-CARBON R	RN72K1J-103JE	1	435031034R1
R1025	C-CARBON R	RN72K1J-331JE	1	435033314R1
R1026	C-CARBON R	RN72K1J-331JE	1	435033314R1
R1027	C-CARBON R	RN72K1J-331JE	1	435033314R1
R1028	C-CARBON R	RN72K1J-331JE	1	435033314R1
R1029	C-CARBON R	RN72K1J-331JE	1	435033314R1
R1030	C-CARBON R	RN72K1J-331JE	1	435033314R1
R1031	C-CARBON R	RN72K1J-750JE	1	435037504R1
R1032	C-CARBON R	RN72K1J-750JE	1	435037504R1
R1033	C-CARBON R	RN72K1J-103JE	1	435031034R1
R1034	C-CARBON R	RN72K1J-103JE	1	435031034R1
R1035	C-CARBON R	RN72K1J-331JE	1	435033314R1
R1036	C-CARBON R	RN72K1J-331JE	1	435033314R1
R1037	C-CARBON R	RN72K1J-331JE	1	435033314R1
R1038	C-CARBON R	RN72K1J-331JE	1	435033314R1
R1039	C-CARBON R	RN72K1J-331JE	1	435033314R1
R1040	C-CARBON R	RN72K1J-331JE	1	435033314R1
R1041	C-CARBON R	RN72K1J-470JE	1	435034704R1
R1042	C-CARBON R	RN72K1J-470JE	1	435034704R1
R1043	C-CARBON R	RN72K1J-331JE	1	435033314R1
R1044	C-CARBON R	RN72K1J-331JE	1	435033314R1
R1045	C-CARBON R	RN72K1J-103JE	1	435031034R1
R1046	C-CARBON R	RN72K1J-103JE	1	435031034R1
R1047	C-CARBON R	RN72K1J-331JE	1	435033314R1
R1048	C-CARBON R	RN72K1J-331JE	1	435033314R1
R1049	C-CARBON R	RN72K1J-331JE	1	435033314R1
R1050	C-CARBON R	RN72K1J-331JE	1	435033314R1
R1051	C-CARBON R	RN72K1J-331JE	1	435033314R1
R1052	C-CARBON R	RN72K1J-331JE	1	435033314R1
R1053	C-CARBON R	RN72K1J-750JE	1	435037504R1
R1054	C-CARBON R	RN72K1J-750JE	1	435037504R1
R1055	C-CARBON R	RN72K1J-103JE	1	435031034R1
R1056	C-CARBON R	RN72K1J-103JE	1	435031034R1

R1057	C-CARBON R	RN72K1J-331JE	1	435033314R1	
R1058	C-CARBON R	RN72K1J-331JE	1	435033314R1	
R1059	C-CARBON R	RN72K1J-331JE	1	435033314R1	
R1060	C-CARBON R	RN72K1J-331JE	1	435033314R1	
R1061	C-CARBON R	RN72K1J-331JE	1	435033314R1	
R1062	C-CARBON R	RN72K1J-331JE	1	435033314R1	
R1063	C-CARBON R	RN72K1J-470JE	1	435034704R1	
R1064	C-CARBON R	RN72K1J-470JE	1	435034704R1	
R1065	C-CARBON R	RN72K1J-331JE	1	435033314R1	
R1066	C-CARBON R	RN72K1J-331JE	1	435033314R1	
R11	METAL O R	RS1/2WBJ-22	1	443522204T	<B MDD>, <B MMA>
R1200	C-CARBON R	RN72K1J-821JE	1	435038214R1	
R1201	C-CARBON R	RN72K1J-821JE	1	435038214R1	
R1202	C-CARBON R	RN72K1J-821JE	1	435038214R1	
R1203	C-CARBON R	RN72K1J-821JE	1	435038214R1	
R1204	C-CARBON R	RN72K1J-821JE	1	435038214R1	
R1205	C-CARBON R	RN72K1J-821JE	1	435038214R1	
R1206	C-CARBON R	RN72K1J-821JE	1	435038214R1	
R1207	C-CARBON R	RN72K1J-821JE	1	435038214R1	
R1208	C-CARBON R	RN72K1J-821JE	1	435038214R1	
R1209	C-CARBON R	RN72K1J-821JE	1	435038214R1	
R1210	C-CARBON R	RN72K1J-821JE	1	435038214R1	
R1211	C-CARBON R	RN72K1J-821JE	1	435038214R1	
R1212	C-CARBON R	RN72K1J-821JE	1	435038214R1	
R1213	C-CARBON R	RN72K1J-821JE	1	435038214R1	
R1214	C-CARBON R	RN72K1J-821JE	1	435038214R1	
R1215	C-CARBON R	RN72K1J-821JE	1	435038214R1	
R1216	C-CARBON R	RN72K1J-821JE	1	435038214R1	
R1217	C-CARBON R	RN72K1J-821JE	1	435038214R1	
R1218	C-CARBON R	RN72K1J-821JE	1	435038214R1	
R1219	C-CARBON R	RN72K1J-821JE	1	435038214R1	
R1220	C-CARBON R	RN72K1J-271JE	1	435032714R1	<B MDD>, <B MMA>
R1221	C-CARBON R	RN72K1J-271JE	1	435032714R1	<B MDD>, <B MMA>

R1222	C-CARBON R	RN72K1J-271JE	1	435032714R1	<B MDD>, <B MMA>
R1223	C-CARBON R	RN72K1J-271JE	1	435032714R1	<B MDD>, <B MMA>
R1224	C-CARBON R	RN72K1J-271JE	1	435032714R1	<B MDD>, <B MMA>
R1225	C-CARBON R	RN72K1J-271JE	1	435032714R1	<B MDD>, <B MMA>
R1226	C-CARBON R	RN72K1J-271JE	1	435032714R1	<B MDD>, <B MMA>
R1227	C-CARBON R	RN72K1J-271JE	1	435032714R1	<B MDD>, <B MMA>
R1228	C-CARBON R	RN72K1J-271JE	1	435032714R1	<B MDD>, <B MMA>
R1229	C-CARBON R	RN72K1J-271JE	1	435032714R1	<B MDD>, <B MMA>
R1230	C-CARBON R	RN72K1J-272JE	1	435032724R1	
R1231	C-CARBON R	RN72K1J-272JE	1	435032724R1	
R1232	C-CARBON R	RN72K1J-272JE	1	435032724R1	
R1233	C-CARBON R	RN72K1J-272JE	1	435032724R1	
R1234	C-CARBON R	RN72K1J-272JE	1	435032724R1	
R1235	C-CARBON R	RN72K1J-272JE	1	435032724R1	
R1236	C-CARBON R	RN72K1J-272JE	1	435032724R1	
R1237	C-CARBON R	RN72K1J-272JE	1	435032724R1	
R1238	C-CARBON R	RN72K1J-272JE	1	435032724R1	
R1239	C-CARBON R	RN72K1J-272JE	1	435032724R1	
R1240	C-CARBON R	RN72K1J-271JE	1	435032714R1	<B MDD>, <B MMA>
R1241	C-CARBON R	RN72K1J-271JE	1	435032714R1	<B MDD>, <B MMA>
R1242	C-CARBON R	RN72K1J-271JE	1	435032714R1	<B MDD>, <B MMA>
R1243	C-CARBON R	RN72K1J-271JE	1	435032714R1	<B MDD>, <B MMA>
R1244	C-CARBON R	RN72K1J-271JE	1	435032714R1	<B MDD>, <B MMA>
R1245	C-CARBON R	RN72K1J-271JE	1	435032714R1	<B MDD>, <B MMA>
R1246	C-CARBON R	RN72K1J-271JE	1	435032714R1	<B MDD>, <B MMA>
R1247	C-CARBON R	RN72K1J-271JE	1	435032714R1	<B MDD>, <B MMA>
R1248	C-CARBON R	RN72K1J-271JE	1	435032714R1	<B MDD>, <B MMA>
R1249	C-CARBON R	RN72K1J-271JE	1	435032714R1	<B MDD>, <B MMA>
R1250	C-CARBON R	RN72K1J-272JE	1	435032724R1	
R1251	C-CARBON R	RN72K1J-272JE	1	435032724R1	
R1252	C-CARBON R	RN72K1J-272JE	1	435032724R1	
R1253	C-CARBON R	RN72K1J-272JE	1	435032724R1	
R1254	C-CARBON R	RN72K1J-272JE	1	435032724R1	

R1255	C-CARBON R	RN72K1J-272JE	1	435032724R1	
R1256	C-CARBON R	RN72K1J-272JE	1	435032724R1	
R1257	C-CARBON R	RN72K1J-272JE	1	435032724R1	
R1258	C-CARBON R	RN72K1J-272JE	1	435032724R1	
R1259	C-CARBON R	RN72K1J-272JE	1	435032724R1	
R1260	C-CARBON R	RN72K1J-472JE	1	435034724R1	
R1261	C-CARBON R	RN72K1J-472JE	1	435034724R1	
R1262	C-CARBON R	RN72K1J-472JE	1	435034724R1	
R1263	C-CARBON R	RN72K1J-472JE	1	435034724R1	
R1264	C-CARBON R	RN72K1J-472JE	1	435034724R1	
R1265	C-CARBON R	RN72K1J-472JE	1	435034724R1	
R1266	C-CARBON R	RN72K1J-472JE	1	435034724R1	
R1267	C-CARBON R	RN72K1J-472JE	1	435034724R1	
R1268	C-CARBON R	RN72K1J-472JE	1	435034724R1	
R1269	C-CARBON R	RN72K1J-472JE	1	435034724R1	
R1270	C-CARBON R	RN72K1J-472JE	1	435034724R1	
R1271	C-CARBON R	RN72K1J-472JE	1	435034724R1	
R1272	C-CARBON R	RN72K1J-472JE	1	435034724R1	
R1273	C-CARBON R	RN72K1J-472JE	1	435034724R1	
R1274	C-CARBON R	RN72K1J-472JE	1	435034724R1	
R1275	C-CARBON R	RN72K1J-472JE	1	435034724R1	
R1276	C-CARBON R	RN72K1J-472JE	1	435034724R1	
R1277	C-CARBON R	RN72K1J-472JE	1	435034724R1	
R1278	C-CARBON R	RN72K1J-472JE	1	435034724R1	
R1279	C-CARBON R	RN72K1J-472JE	1	435034724R1	
R1280	C-CARBON R	RN72K1J-820JE	1	435038204R1	<B MDD>, <B MMA>
R1281	C-CARBON R	RN72K1J-820JE	1	435038204R1	<B MDD>, <B MMA>
R1282	C-CARBON R	RN72K1J-820JE	1	435038204R1	<B MDD>, <B MMA>
R1283	C-CARBON R	RN72K1J-820JE	1	435038204R1	<B MDD>, <B MMA>
R1284	C-CARBON R	RN72K1J-820JE	1	435038204R1	<B MDD>, <B MMA>
R1285	C-CARBON R	RN72K1J-820JE	1	435038204R1	<B MDD>, <B MMA>
R1286	C-CARBON R	RN72K1J-820JE	1	435038204R1	<B MDD>, <B MMA>
R1287	C-CARBON R	RN72K1J-820JE	1	435038204R1	<B MDD>, <B MMA>







R1387	C-CARBON R	RN72K1J-272JE	1	435032724R1	<B MDD>, <B MMA>
R1388	C-CARBON R	RN72K1J-272JE	1	435032724R1	<B MDD>, <B MMA>
R1389	C-CARBON R	RN72K1J-272JE	1	435032724R1	<B MDD>, <B MMA>
R1400	C-CARBON R	RN72K2E-100JE	1	435221004R1	
R1401	C-CARBON R	RN72K2E-100JE	1	435221004R1	
R1402	C-CARBON R	RN72K2E-100JE	1	435221004R1	
R1403	C-CARBON R	RN72K2E-100JE	1	435221004R1	
R1404	C-CARBON R	RN72K2E-100JE	1	435221004R1	
R1405	C-CARBON R	RN72K2E-100JE	1	435221004R1	
R1406	C-CARBON R	RN72K2E-100JE	1	435221004R1	
R1407	C-CARBON R	RN72K2E-100JE	1	435221004R1	
R1408	C-CARBON R	RN72K2E-100JE	1	435221004R1	
R1409	C-CARBON R	RN72K2E-100JE	1	435221004R1	
R1410	C-CARBON R	RN72K1J-821JE	1	435038214R1	
R1411	C-CARBON R	RN72K1J-821JE	1	435038214R1	
R1420	C-CARBON R	RN72K1J-821JE	1	435038214R1	
R1421	C-CARBON R	RN72K1J-821JE	1	435038214R1	
R1430	C-CARBON R	RN72K1J-271JE	1	435032714R1	<B MDD>, <B MMA>
R1431	C-CARBON R	RN72K1J-271JE	1	435032714R1	<B MDD>, <B MMA>
R1440	C-CARBON R	RN72K1J-272JE	1	435032724R1	
R1441	C-CARBON R	RN72K1J-272JE	1	435032724R1	
R1450	C-CARBON R	RN72K1J-271JE	1	435032714R1	<B MDD>, <B MMA>
R1451	C-CARBON R	RN72K1J-271JE	1	435032714R1	<B MDD>, <B MMA>
R1460	C-CARBON R	RN72K1J-272JE	1	435032724R1	
R1461	C-CARBON R	RN72K1J-272JE	1	435032724R1	
R1470	C-CARBON R	RN72K1J-472JE	1	435034724R1	
R1471	C-CARBON R	RN72K1J-472JE	1	435034724R1	
R1480	C-CARBON R	RN72K1J-472JE	1	435034724R1	
R1481	C-CARBON R	RN72K1J-472JE	1	435034724R1	
R1490	C-CARBON R	RN72K1J-820JE	1	435038204R1	<B MDD>, <B MMA>
R1491	C-CARBON R	RN72K1J-820JE	1	435038204R1	<B MDD>, <B MMA>
R1500	C-CARBON R	RN72K1J-820JE	1	435038204R1	<B MDD>, <B MMA>
R1501	C-CARBON R	RN72K1J-820JE	1	435038204R1	<B MDD>, <B MMA>



R1510	C-CARBON R	RN72K1J-472JE	1	435034724R1
R1511	C-CARBON R	RN72K1J-472JE	1	435034724R1
R1520	C-CARBON R	RN72K1J-681JE	1	435036814R1
R1521	C-CARBON R	RN72K1J-681JE	1	435036814R1
R1530	C-CARBON R	RN72K1J-472JE	1	435034724R1
R1531	C-CARBON R	RN72K1J-472JE	1	435034724R1
R1540	C-CARBON R	RN72K1J-472JE	1	435034724R1
R1541	C-CARBON R	RN72K1J-472JE	1	435034724R1
R1550	C-CARBON R	RN72K1J-182JE	1	435031824R1
R1551	C-CARBON R	RN72K1J-182JE	1	435031824R1
R1560	C-CARBON R	RN72K1J-272JE	1	435032724R1
R1561	C-CARBON R	RN72K1J-272JE	1	435032724R1
R1570	C-CARBON R	RN72K1J-152JE	1	435031524R1
R1571	C-CARBON R	RN72K1J-152JE	1	435031524R1
R1580	C-CARBON R	RN72K1J-102JE	1	435031024R1
R1581	C-CARBON R	RN72K1J-102JE	1	435031024R1
R1590	C-CARBON R	RN72K1J-561JE	1	435035614R1
R1591	C-CARBON R	RN72K1J-561JE	1	435035614R1
R1610	C-CARBON R	RN72K2E-100JE	1	435221004R1
R1611	C-CARBON R	RN72K2E-100JE	1	435221004R1
R1620	C-CARBON R	RN72K1J-103JE	1	435031034R1
R1621	C-CARBON R	RN72K1J-103JE	1	435031034R1
R1622	C-CARBON R	RN72K1J-103JE	1	435031034R1
R1623	C-CARBON R	RN72K1J-103JE	1	435031034R1
R1624	C-CARBON R	RN72K1J-103JE	1	435031034R1
R1625	C-CARBON R	RN72K1J-103JE	1	435031034R1
R1626	C-CARBON R	RN72K1J-103JE	1	435031034R1
R1627	C-CARBON R	RN72K1J-103JE	1	435031034R1
R1628	C-CARBON R	RN72K1J-103JE	1	435031034R1
R1629	C-CARBON R	RN72K1J-103JE	1	435031034R1
R1630	C-CARBON R	RN72K1J-103JE	1	435031034R1
R1631	C-CARBON R	RN72K1J-103JE	1	435031034R1
R1632	C-CARBON R	RN72K1J-103JE	1	435031034R1

R1633	C-CARBON R	RN72K1J-103JE	1	435031034R1	
R1634	C-CARBON R	RN72K1J-103JE	1	435031034R1	
R1635	C-CARBON R	RN72K1J-103JE	1	435031034R1	
R1636	C-CARBON R	RN72K1J-103JE	1	435031034R1	
R1637	C-CARBON R	RN72K1J-103JE	1	435031034R1	
R1638	C-CARBON R	RN72K1J-103JE	1	435031034R1	
R1639	C-CARBON R	RN72K1J-103JE	1	435031034R1	
R1640	C-CARBON R	RN72K1J-103JE	1	435031034R1	
R1641	C-CARBON R	RN72K1J-103JE	1	435031034R1	
R1642	C-CARBON R	RN72K1J-103JE	1	435031034R1	
R1643	C-CARBON R	RN72K1J-103JE	1	435031034R1	
R1644	C-CARBON R	RN72K1J-103JE	1	435031034R1	
R1645	C-CARBON R	RN72K1J-103JE	1	435031034R1	
R1646	C-CARBON R	RN72K1J-103JE	1	435031034R1	
R1647	C-CARBON R	RN72K1J-103JE	1	435031034R1	
R1648	C-CARBON R	RN72K1J-103JE	1	435031034R1	
R1649	C-CARBON R	RN72K1J-103JE	1	435031034R1	
R1660	C-CARBON R	RN72K1J-103JE	1	435031034R1	
R1661	C-CARBON R	RN72K1J-103JE	1	435031034R1	
R1670	C-CARBON R	RN72K1J-103JE	1	435031034R1	
R1671	C-CARBON R	RN72K1J-103JE	1	435031034R1	
R1680	C-CARBON R	RN72K1J-103JE	1	435031034R1	
R1681	C-CARBON R	RN72K1J-103JE	1	435031034R1	
R1682	C-CARBON R	RN72K1J-273JE	1	435032734R1	
R1683	C-CARBON R	RN72K1J-103JE	1	435031034R1	
R1684	C-CARBON R	RN72K1J-273JE	1	435032734R1	
R1685	C-CARBON R	RN72K1J-103JE	1	435031034R1	
R32	METAL O R	RS1/2WBJ-22	1	443522204T	<B MDD>, <B MMA>
R3702	C-CARBON R	RN72K1J-750JE	1	435037504R1	
R3703	C-CARBON R	RN72K1J-220JE	1	435032204R1	
R3707	C-CARBON R	RN72K1J-151JE	1	435031514R1	
R3708	C-CARBON R	RN72K1J-151JE	1	435031514R1	
R3709	C-CARBON R	RN72K1J-151JE	1	435031514R1	

R3710	C-CARBON R	RN72K1J-221JE	1	435032214R1
R3711	C-CARBON R	RN72K1J-151JE	1	435031514R1
R3712	C-CARBON R	RN72K1J-331JE	1	435033314R1
R3713	C-CARBON R	RN72K1J-331JE	1	435033314R1
R3714	C-CARBON R	RN72K1J-151JE	1	435031514R1
R3715	C-CARBON R	RN72K1J-331JE	1	435033314R1
R3716	C-CARBON R	RN72K1J-151JE	1	435031514R1
R3717	C-CARBON R	RN72K1J-331JE	1	435033314R1
R3719	C-CARBON R	RN72K1J-331JE	1	435033314R1
R3720	C-CARBON R	RN72K1J-470JE	1	435034704R1
R3721	C-CARBON R	RN72K1J-331JE	1	435033314R1
R3722	C-CARBON R	RN72K1J-220JE	1	435032204R1
R3723	C-CARBON R	RN72K1J-331JE	1	435033314R1
R3724	C-CARBON R	RN72K1J-331JE	1	435033314R1
R3725	C-CARBON R	RN72K1J-331JE	1	435033314R1
R3726	C-CARBON R	RN72K1J-750JE	1	435037504R1
R3727	C-CARBON R	RN72K1J-220JE	1	435032204R1
R3728	C-CARBON R	RN72K1J-151JE	1	435031514R1
R3729	C-CARBON R	RN72K1J-392JE	1	435033924R1
R3730	C-CARBON R	RN72K1J-392JE	1	435033924R1
R3731	C-CARBON R	RN72K1J-220JE	1	435032204R1
R3732	C-CARBON R	RN72K1J-220JE	1	435032204R1
R3733	C-CARBON R	RN72K1J-151JE	1	435031514R1
R3734	C-CARBON R	RN72K1J-220JE	1	435032204R1
R3735	C-CARBON R	RN72K1J-151JE	1	435031514R1
R3736	C-CARBON R	RN72K1J-221JE	1	435032214R1
R3737	C-CARBON R	RN72K1J-151JE	1	435031514R1
R3738	C-CARBON R	RN72K1J-470JE	1	435034704R1
R3739	C-CARBON R	RN72K1J-331JE	1	435033314R1
R3740	C-CARBON R	RN72K1J-152JE	1	435031524R1
R3741	C-CARBON R	RN72K1J-151JE	1	435031514R1
R3742	C-CARBON R	RN72K1J-331JE	1	435033314R1
R3743	C-CARBON R	RN72K1J-151JE	1	435031514R1

R3744	C-CARBON R	RN72K1J-331JE	1	435033314R1
R3745	C-CARBON R	RN72K1J-470JE	1	435034704R1
R3746	C-CARBON R	RN72K1J-331JE	1	435033314R1
R3747	C-CARBON R	RN72K1J-331JE	1	435033314R1
R3748	C-CARBON R	RN72K1J-331JE	1	435033314R1
R3749	C-CARBON R	RN72K1J-331JE	1	435033314R1
R3750	C-CARBON R	RN72K1J-331JE	1	435033314R1
R3751	C-CARBON R	RN72K1J-331JE	1	435033314R1
R3752	C-CARBON R	RN72K1J-331JE	1	435033314R1
R3754	C-CARBON R	RN72K1J-331JE	1	435033314R1
R3755	C-CARBON R	RN72K1J-331JE	1	435033314R1
R3756	C-CARBON R	RN72K1J-331JE	1	435033314R1
R3757	C-CARBON R	RN72K1J-331JE	1	435033314R1
R3758	C-CARBON R	RN72K1J-331JE	1	435033314R1
R3759	C-CARBON R	RN72K1J-331JE	1	435033314R1
R3760	C-CARBON R	RN72K1J-331JE	1	435033314R1
R3761	C-CARBON R	RN72K1J-331JE	1	435033314R1
R3762	C-CARBON R	RN72K1J-331JE	1	435033314R1
R3763	C-CARBON R	RN72K1J-331JE	1	435033314R1
R3765	C-CARBON R	RN72K1J-103JE	1	435031034R1
R3766	C-CARBON R	RN72K1J-331JE	1	435033314R1
R3767	C-CARBON R	RN72K1J-331JE	1	435033314R1
R3768	C-CARBON R	RN72K1J-331JE	1	435033314R1
R3769	C-CARBON R	RN72K1J-470JE	1	435034704R1
R3770	C-CARBON R	RN72K1J-470JE	1	435034704R1
R3771	C-CARBON R	RN72K1J-221JE	1	435032214R1
R3772	C-CARBON R	RN72K1J-470JE	1	435034704R1
R3773	C-CARBON R	RN72K1J-105JE	1	435031054R1
R3774	C-CARBON R	RN72K1J-470JE	1	435034704R1
R3775	C-CARBON R	RN72K1J-470JE	1	435034704R1
R3776	C-CARBON R	RN72K1J-000JE	1	435030004R1
R3777	C-CARBON R	RN72K1J-391JE	1	435033914R1
R3778	C-CARBON R	RN72K1J-391JE	1	435033914R1

R3779	C-CARBON R	RN72K1J-103JE	1	435031034R1
R3780	C-CARBON R	RN72K1J-103JE	1	435031034R1
R3781	C-CARBON R	RN72K1J-103JE	1	435031034R1
R3782	C-CARBON R	RN72K1J-103JE	1	435031034R1
R3783	C-CARBON R	RN72K1J-103JE	1	435031034R1
R3784	C-CARBON R	RN72K1J-103JE	1	435031034R1
R3785	C-CARBON R	RN72K1J-103JE	1	435031034R1
R3786	C-CARBON R	RN72K1J-103JE	1	435031034R1
R3787	C-CARBON R	RN72K1J-103JE	1	435031034R1
R3788	C-CARBON R	RN72K1J-103JE	1	435031034R1
R3789	C-CARBON R	RN72K1J-560JE	1	435035604R1
R3790	C-CARBON R	RN72K1J-560JE	1	435035604R1
R3791	C-CARBON R	RN72K1J-560JE	1	435035604R1
R3792	C-CARBON R	RN72K1J-560JE	1	435035604R1
R3796	C-CARBON R	RN72K1J-103JE	1	435031034R1
R3797	C-CARBON R	RN72K1J-103JE	1	435031034R1
R3798	C-CARBON R	RN72K1J-103JE	1	435031034R1
R3799	C-CARBON R	RN72K1J-103JE	1	435031034R1
R3883	C-CARBON R	RN72K1J-331JE	1	435033314R1
R3884	C-CARBON R	RN72K1J-221JE	1	435032214R1
R3885	C-CARBON R	RN72K1J-103JE	1	435031034R1
R3886	C-CARBON R	RN72K1J-221JE	1	435032214R1
R3887	C-CARBON R	RN72K1J-470JE	1	435034704R1
R3888	C-CARBON R	RN72K1J-470JE	1	435034704R1
R3889	C-CARBON R	RN72K1J-470JE	1	435034704R1
R3890	C-CARBON R	RN72K1J-470JE	1	435034704R1
R3891	C-CARBON R	RN72K1J-470JE	1	435034704R1
R3892	C-CARBON R	RN72K1J-823JE	1	435038234R1
R3893	C-CARBON R	RN72K1J-103JE	1	435031034R1
R3894	C-CARBON R	RN72K1J-103JE	1	435031034R1
R3895	C-CARBON R	RN72K1J-100JE	1	435031004R1
R3896	C-CARBON R	RN72K1J-823JE	1	435038234R1
R3897	C-CARBON R	RN72K1J-750JE	1	435037504R1

R3898	C-CARBON R	RN72K1J-224JE	1	435032244R1	
R3899	C-CARBON R	RN72K1J-103JE	1	435031034R1	
R39	C-CARBON R	RN72K1J-220JE	1	435032204R1	<B MDD>
R3900	C-CARBON R	RN72K1J-823JE	1	435038234R1	
R3901	C-CARBON R	RN72K1J-470JE	1	435034704R1	
R3902	C-CARBON R	RN72K1J-470JE	1	435034704R1	
R3903	C-CARBON R	RN72K1J-103JE	1	435031034R1	
R3904	C-CARBON R	RN72K1J-103JE	1	435031034R1	
R3905	C-CARBON R	RN72K1J-331JE	1	435033314R1	
R3906	C-CARBON R	RN72K1J-331JE	1	435033314R1	
R3907	C-CARBON R	RN72K1J-103JE	1	435031034R1	
R3908	C-CARBON R	RN72K1J-331JE	1	435033314R1	
R3909	C-CARBON R	RN72K1J-470JE	1	435034704R1	<B MDD>, <B MMA>
R3910	C-CARBON R	RN72K1J-331JE	1	435033314R1	
R3911	C-CARBON R	RN72K1J-221JE	1	435032214R1	
R3913	C-CARBON R	RN72K1J-750JE	1	435037504R1	
R3914	C-CARBON R	RN72K1J-100JE	1	435031004R1	
R3915	C-CARBON R	RN72K1J-224JE	1	435032244R1	
R3916	C-CARBON R	RN72K1J-470JE	1	435034704R1	
R3917	C-CARBON R	RN72K1J-470JE	1	435034704R1	
R3918	C-CARBON R	RN72K1J-331JE	1	435033314R1	
R3919	C-CARBON R	RN72K1J-331JE	1	435033314R1	
R3920	C-CARBON R	RN72K1J-331JE	1	435033314R1	
R3921	C-CARBON R	RN72K1J-750JE	1	435037504R1	
R3922	C-CARBON R	RN72K1J-224JE	1	435032244R1	
R3923	C-CARBON R	RN72K1J-100JE	1	435031004R1	
R4005	C-CARBON R	RN72K1J-102JE	1	435031024R1	
R4006	C-CARBON R	RN72K1J-102JE	1	435031024R1	
R4007	METAL O R	RS1/2WBJ-2.2K	1	443522224T	
R4008	METAL O R	RS1/2WBJ-2.2K	1	443522224T	
R4009	C-CARBON R	RN72K1J-223JE	1	435032234R1	
R4010	C-CARBON R	RN72K1J-223JE	1	435032234R1	
R4011	C-CARBON R	RN72K1J-224JE	1	435032244R1	

R4012	C-CARBON R	RN72K1J-224JE	1	435032244R1	
R4013	C-CARBON R	RN72K1J-221JE	1	435032214R1	
R4014	C-CARBON R	RN72K1J-221JE	1	435032214R1	
R4015	C-CARBON R	RN72K1J-332JE	1	435033324R1	
R4016	C-CARBON R	RN72K1J-332JE	1	435033324R1	
R4017	C-CARBON R	RN72K1J-220JE	1	435032204R1	
R4018	C-CARBON R	RN72K1J-220JE	1	435032204R1	
R4019	C-CARBON R	RN72K1J-332JE	1	435033324R1	
R4020	C-CARBON R	RN72K1J-332JE	1	435033324R1	
R4021	C-CARBON R	RN72K1J-220JE	1	435032204R1	
R4022	C-CARBON R	RN72K1J-220JE	1	435032204R1	
R4023	C-CARBON R	RN72K1J-272JE	1	435032724R1	
R4024	C-CARBON R	RN72K1J-272JE	1	435032724R1	
R4025	C-CARBON R	RN72K1J-821JE	1	435038214R1	
R4026	C-CARBON R	RN72K1J-821JE	1	435038214R1	
R4027	C-CARBON R	RN72K1J-474JE	1	435034744R1	
R4028	C-CARBON R	RN72K1J-474JE	1	435034744R1	
R4029	C-CARBON R	RN72K1J-393JE	1	435033934R1	
R4030	C-CARBON R	RN72K1J-393JE	1	435033934R1	
R4031	C-CARBON R	RN72K1J-122JE	1	435031224R1	
R4032	C-CARBON R	RN72K1J-122JE	1	435031224R1	
R4033	C-CARBON R	RN72K1J-821JE	1	435038214R1	
R4034	C-CARBON R	RN72K1J-821JE	1	435038214R1	
R4035	C-CARBON R	RN72K1J-224JE	1	435032244R1	
R4036	C-CARBON R	RN72K1J-224JE	1	435032244R1	
R4037	NF CARBON R	R25J-100	1	415471014T	
R4038	NF CARBON R	R25J-100	1	415471014T	
R41	C-CARBON R	RN72K1J-220JE	1	435032204R1	<B MDD>
R43	C-CARBON R	RN72K1J-000JE	1	435030004R1	<B MDD>
R4500	C-CARBON R	RN72K1J-224JE	1	435032244R1	
R4501	C-CARBON R	RN72K1J-224JE	1	435032244R1	
R4502	C-CARBON R	RN72K1J-224JE	1	435032244R1	
R4503	C-CARBON R	RN72K1J-224JE	1	435032244R1	

R4504	C-CARBON R	RN72K1J-224JE	1	435032244R1	
R4505	C-CARBON R	RN72K1J-224JE	1	435032244R1	
R4506	C-CARBON R	RN72K1J-224JE	1	435032244R1	
R4507	C-CARBON R	RN72K1J-224JE	1	435032244R1	
R4508	C-CARBON R	RN72K1J-224JE	1	435032244R1	
R4509	C-CARBON R	RN72K1J-224JE	1	435032244R1	
R4510	C-CARBON R	RN72K1J-224JE	1	435032244R1	
R4511	C-CARBON R	RN72K1J-224JE	1	435032244R1	
R4512	C-CARBON R	RN72K1J-224JE	1	435032244R1	
R4513	C-CARBON R	RN72K1J-224JE	1	435032244R1	
R4514	C-CARBON R	RN72K1J-224JE	1	435032244R1	
R4515	C-CARBON R	RN72K1J-224JE	1	435032244R1	
R4516	C-CARBON R	RN72K1J-224JE	1	435032244R1	
R4517	C-CARBON R	RN72K1J-224JE	1	435032244R1	
R4518	C-CARBON R	RN72K1J-224JE	1	435032244R1	
R4519	C-CARBON R	RN72K1J-224JE	1	435032244R1	
R4520	C-CARBON R	RN72K1J-224JE	1	435032244R1	
R4521	C-CARBON R	RN72K1J-224JE	1	435032244R1	
R4522	METAL O R	RS1/2WBJ-22	1	443522204T	
R4523	METAL O R	RS1/2WBJ-22	1	443522204T	
R49	C-CARBON R	RN72K1J-223JE	1	435032234R1	<B MDD>, <B MMA>
R4900	C-CARBON R	RN72K1J-224JE	1	435032244R1	
R4901	C-CARBON R	RN72K1J-224JE	1	435032244R1	
R4902	C-CARBON R	RN72K1J-224JE	1	435032244R1	<B MDD>, <B MMA>
R4903	C-CARBON R	RN72K1J-224JE	1	435032244R1	<B MDD>, <B MMA>
R4904	METAL R	RNU1/2WCJ-4.7	1	453530474T	
R4905	METAL R	RNU1/2WCJ-4.7	1	453530474T	
R4906	C-CARBON R	RN72K1J-471JE	1	435034714R1	
R4907	C-CARBON R	RN72K1J-471JE	1	435034714R1	
R4908	C-CARBON R	RN72K1J-472JE	1	435034724R1	
R4909	C-CARBON R	RN72K1J-472JE	1	435034724R1	
R4910	C-CARBON R	RN72K1J-103JE	1	435031034R1	
R4911	C-CARBON R	RN72K1J-103JE	1	435031034R1	



R4912	C-CARBON R	RN72K1J-471JE	1	435034714R1	<B MDD>, <B MMA>
R4913	C-CARBON R	RN72K1J-471JE	1	435034714R1	<B MDD>, <B MMA>
R4914	C-CARBON R	RN72K1J-472JE	1	435034724R1	<B MDD>, <B MMA>
R4915	C-CARBON R	RN72K1J-472JE	1	435034724R1	<B MDD>, <B MMA>
R4916	C-CARBON R	RN72K1J-103JE	1	435031034R1	<B MDD>, <B MMA>
R4917	C-CARBON R	RN72K1J-103JE	1	435031034R1	<B MDD>, <B MMA>
R4951	C-CARBON R	RN72K1J-224JE	1	435032244R1	<B MDD>, <B MMA>
R4952	C-CARBON R	RN72K1J-224JE	1	435032244R1	<B MDD>, <B MMA>
R4953	C-CARBON R	RN72K1J-224JE	1	435032244R1	<B MDD>, <B MMA>
R4954	C-CARBON R	RN72K1J-224JE	1	435032244R1	<B MDD>, <B MMA>
R4959	C-CARBON R	RN72K1J-473JE	1	435034734R1	<B MDD>, <B MMA>
R4960	C-CARBON R	RN72K1J-473JE	1	435034734R1	<B MDD>, <B MMA>
R4961	C-CARBON R	RN72K1J-473JE	1	435034734R1	<B MDD>, <B MMA>
R4962	C-CARBON R	RN72K1J-473JE	1	435034734R1	<B MDD>, <B MMA>
R4963	C-CARBON R	RN72K1J-224JE	1	435032244R1	<B MDD>, <B MMA>
R4964	C-CARBON R	RN72K1J-224JE	1	435032244R1	<B MDD>, <B MMA>
R4967	METAL O R	RS1/2WBJ-22	1	443522204T	<B MDD>, <B MMA>
R4968	METAL O R	RS1/2WBJ-22	1	443522204T	<B MDD>, <B MMA>
R4969	METAL O R	RS1/2WBJ-470	1	443524714T	<B MDD>, <B MMA>
R4970	METAL O R	RS1/2WBJ-470	1	443524714T	<B MDD>, <B MMA>
R50	C-CARBON R	RN72K1J-223JE	1	435032234R1	<B MDD>, <B MMA>
R51	C-CARBON R	RN72K1J-223JE	1	435032234R1	<B MDD>, <B MMA>
R52	C-CARBON R	RN72K1J-223JE	1	435032234R1	<B MDD>, <B MMA>
R53	C-CARBON R	RN72K1J-223JE	1	435032234R1	<B MDD>, <B MMA>
R54	C-CARBON R	RN72K1J-223JE	1	435032234R1	<B MDD>, <B MMA>
R55	C-CARBON R	RN72K1J-223JE	1	435032234R1	<B MDD>, <B MMA>
R56	C-CARBON R	RN72K1J-223JE	1	435032234R1	<B MDD>, <B MMA>
R57	C-CARBON R	RN72K1J-103JE	1	435031034R1	<B MDD>
R58	C-CARBON R	RN72K1J-103JE	1	435031034R1	<B MDD>
R59	C-CARBON R	RN72K1J-103JE	1	435031034R1	<B MDD>
R60	C-CARBON R	RN72K1J-103JE	1	435031034R1	<B MDD>
R61	C-CARBON R	RN72K1J-103JE	1	435031034R1	<B MDD>
R62	C-CARBON R	RN72K1J-103JE	1	435031034R1	<B MDD>

R63	C-CARBON R	RN72K1J-103JE	1	435031034R1	<B MDD>
R64	C-CARBON R	RN72K1J-103JE	1	435031034R1	<B MDD>
R7001	C-CARBON R	RN72K1J-222JE	1	435032224R1	
R7002	C-CARBON R	RN72K1J-000JE	1	435030004R1	
R7003	C-CARBON R	RN72K1J-000JE	1	435030004R1	
R7004	C-CARBON R	RN72K1J-102JE	1	435031024R1	
R7005	C-CARBON R	RN72K1J-222JE	1	435032224R1	
R7006	C-CARBON R	RN72K1J-101JE	1	435031014R1	
R7007	C-CARBON R	RN72K1J-102JE	1	435031024R1	
R7008	C-CARBON R	RN72K1J-103JE	1	435031034R1	<B MDD>
R7009	C-CARBON R	RN72K1J-224JE	1	435032244R1	
R7010	C-CARBON R	RN72K1J-222JE	1	435032224R1	
R7011	C-CARBON R	RN72K1J-103JE	1	435031034R1	
R7012	C-CARBON R	RN72K1J-102JE	1	435031024R1	
R7013	C-CARBON R	RN72K1J-103JE	1	435031034R1	
R7014	C-CARBON R	RN72K1J-103JE	1	435031034R1	
R7015	C-CARBON R	RN72K1J-103JE	1	435031034R1	
R7016	C-CARBON R	RN72K1J-103JE	1	435031034R1	
R7017	C-CARBON R	RN72K1J-103JE	1	435031034R1	
R7018	C-CARBON R	RN72K1J-103JE	1	435031034R1	
R7019	C-CARBON R	RN72K1J-103JE	1	435031034R1	
R7020	C-CARBON R	RN72K1J-103JE	1	435031034R1	
R7021	C-CARBON R	RN72K1J-273JE	1	435032734R1	
R7022	C-CARBON R	RN72K1J-103JE	1	435031034R1	
R7023	C-CARBON R	RN72K1J-103JE	1	435031034R1	
R7024	C-CARBON R	RN72K1J-103JE	1	435031034R1	
R7025	C-CARBON R	RN72K1J-470JE	1	435034704R1	
R7026	C-CARBON R	RN72K1J-470JE	1	435034704R1	
R7027	C-CARBON R	RN72K1J-470JE	1	435034704R1	
R7028	C-CARBON R	RN72K1J-470JE	1	435034704R1	
R7029	C-CARBON R	RN72K1J-103JE	1	435031034R1	
R7030	C-CARBON R	RN72K1J-103JE	1	435031034R1	
R7031	C-CARBON R	RN72K1J-222JE	1	435032224R1	

R7032	C-CARBON R	RN72K1J-101JE	1	435031014R1	
R7033	C-CARBON R	RN72K1J-470JE	1	435034704R1	
R7034	C-CARBON R	RN72K1J-470JE	1	435034704R1	
R7035	C-CARBON R	RN72K1J-470JE	1	435034704R1	
R7036	C-CARBON R	RN72K1J-221JE	1	435032214R1	
R7037	C-CARBON R	RN72K1J-470JE	1	435034704R1	
R7044	C-CARBON R	RN72K1J-221JE	1	435032214R1	
R7045	C-CARBON R	RN72K1J-221JE	1	435032214R1	
R7046	C-CARBON R	RN72K1J-470JE	1	435034704R1	
R7047	C-CARBON R	RN72K1J-470JE	1	435034704R1	
R7048	C-CARBON R	RN72K1J-470JE	1	435034704R1	
R7049	C-CARBON R	RN72K1J-470JE	1	435034704R1	
R7050	C-CARBON R	RN72K1J-470JE	1	435034704R1	
R7051	C-CARBON R	RN72K1J-470JE	1	435034704R1	
R7052	C-CARBON R	RN72K1J-470JE	1	435034704R1	
R7053	C-CARBON R	RN72K1J-470JE	1	435034704R1	
R7054	C-CARBON R	RN72K1J-470JE	1	435034704R1	
R7055	C-CARBON R	RN72K1J-470JE	1	435034704R1	
R7056	C-CARBON R	RN72K1J-470JE	1	435034704R1	
R7057	C-CARBON R	RN72K1J-470JE	1	435034704R1	
R7058	C-CARBON R	RN72K1J-221JE	1	435032214R1	
R7059	C-CARBON R	RN72K1J-221JE	1	435032214R1	<B MMA>
R7060	C-CARBON R	RN72K1J-470JE	1	435034704R1	
R7061	C-CARBON R	RN72K1J-272JE	1	435032724R1	
R7062	C-CARBON R	RN72K1J-273JE	1	435032734R1	
R7070	C-CARBON R	RN72K1J-103JE	1	435031034R1	
R7071	C-CARBON R	RN72K1J-103JE	1	435031034R1	
R7072	C-CARBON R	RN72K1J-103JE	1	435031034R1	
R7074	C-CARBON R	RN72K1J-103JE	1	435031034R1	
R7075	C-CARBON R	RN72K1J-103JE	1	435031034R1	
R7076	C-CARBON R	RN72K1J-472JE	1	435034724R1	
R7077	C-CARBON R	RN72K1J-103JE	1	435031034R1	
R7078	C-CARBON R	RN72K1J-102JE	1	435031024R1	

R7079	C-CARBON R	RN72K1J-103JE	1	435031034R1
R7080	C-CARBON R	RN72K1J-103JE	1	435031034R1
R7081	C-CARBON R	RN72K1J-103JE	1	435031034R1
R7082	C-CARBON R	RN72K1J-272JE	1	435032724R1
R7083	C-CARBON R	RN72K1J-272JE	1	435032724R1
R7084	C-CARBON R	RN72K1J-272JE	1	435032724R1
R7088	C-CARBON R	RN72K1J-221JE	1	435032214R1
R7089	C-CARBON R	RN72K1J-103JE	1	435031034R1
R7090	C-CARBON R	RN72K1J-470JE	1	435034704R1
R7091	C-CARBON R	RN72K1J-470JE	1	435034704R1
R7092	C-CARBON R	RN72K1J-470JE	1	435034704R1
R7093	C-CARBON R	RN72K1J-470JE	1	435034704R1
R7094	C-CARBON R	RN72K1J-470JE	1	435034704R1
R7095	C-CARBON R	RN72K1J-470JE	1	435034704R1
R7096	C-CARBON R	RN72K1J-102JE	1	435031024R1
R7097	C-CARBON R	RN72K1J-470JE	1	435034704R1
R7098	C-CARBON R	RN72K1J-470JE	1	435034704R1
R7099	C-CARBON R	RN72K1J-222JE	1	435032224R1
R7100	C-CARBON R	RN72K1J-470JE	1	435034704R1
R7101	C-CARBON R	RN72K1J-221JE	1	435032214R1
R7102	C-CARBON R	RN72K1J-470JE	1	435034704R1
R7103	C-CARBON R	RN72K1J-221JE	1	435032214R1
R7104	C-CARBON R	RN72K1J-470JE	1	435034704R1
R7106	C-CARBON R	RN72K1J-470JE	1	435034704R1
R7108	C-CARBON R	RN72K1J-470JE	1	435034704R1
R7110	C-CARBON R	RN72K1J-470JE	1	435034704R1
R7112	C-CARBON R	RN72K1J-470JE	1	435034704R1
R7114	C-CARBON R	RN72K1J-470JE	1	435034704R1
R7116	C-CARBON R	RN72K1J-470JE	1	435034704R1
R7117	C-CARBON R	RN72K1J-470JE	1	435034704R1
R7118	C-CARBON R	RN72K1J-470JE	1	435034704R1
R7119	C-CARBON R	RN72K1J-470JE	1	435034704R1
R7120	C-CARBON R	RN72K1J-470JE	1	435034704R1

R7121	C-CARBON R	RN72K1J-470JE	1	435034704R1	
R7122	C-CARBON R	RN72K1J-103JE	1	435031034R1	
R7123	C-CARBON R	RN72K1J-473JE	1	435034734R1	
R7124	C-CARBON R	RN72K1J-102JE	1	435031024R1	
R7125	C-CARBON R	RN72K1J-000JE	1	435030004R1	
R7126	C-CARBON R	RN72K1J-470JE	1	435034704R1	
R7127	C-CARBON R	RN72K1J-000JE	1	435030004R1	
R7128	C-CARBON R	RN72K1J-221JE	1	435032214R1	
R7129	C-CARBON R	RN72K1J-470JE	1	435034704R1	
R7130	C-CARBON R	RN72K1J-221JE	1	435032214R1	
R7131	C-CARBON R	RN72K1J-221JE	1	435032214R1	
R7132	C-CARBON R	RN72K1J-221JE	1	435032214R1	
R7134	C-CARBON R	RN72K1J-221JE	1	435032214R1	
R7135	C-CARBON R	RN72K1J-470JE	1	435034704R1	
R7136	C-CARBON R	RN72K1J-103JE	1	435031034R1	
R7137	C-CARBON R	RN72K1J-221JE	1	435032214R1	
R7138	C-CARBON R	RN72K1J-470JE	1	435034704R1	
R7140	C-CARBON R	RN72K1J-470JE	1	435034704R1	
R7141	C-CARBON R	RN72K1J-470JE	1	435034704R1	
R7143	C-CARBON R	RN72K1J-470JE	1	435034704R1	
R7144	C-CARBON R	RN72K1J-221JE	1	435032214R1	
R7145	C-CARBON R	RN72K1J-221JE	1	435032214R1	
R7146	C-CARBON R	RN72K1J-103JE	1	435031034R1	
R7147	C-CARBON R	RN72K1J-221JE	1	435032214R1	
R7148	C-CARBON R	RN72K1J-470JE	1	435034704R1	
R7149	C-CARBON R	RN72K1J-473JE	1	435034734R1	
R7150	C-CARBON R	RN72K1J-221JE	1	435032214R1	
R7151	C-CARBON R	RN72K1J-470JE	1	435034704R1	
R7152	C-CARBON R	RN72K1J-221JE	1	435032214R1	
R7153	C-CARBON R	RN72K1J-470JE	1	435034704R1	
R7154	C-CARBON R	RN72K1J-103JE	1	435031034R1	<B MDD>, <B MMA>
R7155	C-CARBON R	RN72K1J-103JE	1	435031034R1	<B MDD>, <B MMA>
R7156	C-CARBON R	RN72K1J-470JE	1	435034704R1	

R7157	C-CARBON R	RN72K1J-103JE	1	435031034R1	<B MDD>, <B MMA>
R7158	C-CARBON R	RN72K1J-473JE	1	435034734R1	
R7160	C-CARBON R	RN72K1J-221JE	1	435032214R1	
R7161	C-CARBON R	RN72K1J-103JE	1	435031034R1	<B MDD>, <B MMA>
R7163	C-CARBON R	RN72K1J-103JE	1	435031034R1	<B MMA>
R7163	C-CARBON R	RN72K1J-333JE	1	435033334R1	<B MDD>
R7164	C-CARBON R	RN72K1J-103JE	1	435031034R1	<B MMA>
R7164	C-CARBON R	RN72K1J-472JE	1	435034724R1	<B MDD>
R7165	C-CARBON R	RN72K1J-472JE	1	435034724R1	
R7166	C-CARBON R	RN72K1J-472JE	1	435034724R1	
R7167	C-CARBON R	RN72K1J-472JE	1	435034724R1	
R7168	C-CARBON R	RN72K1J-472JE	1	435034724R1	
R7169	C-CARBON R	RN72K1J-472JE	1	435034724R1	
R7170	C-CARBON R	RN72K1J-472JE	1	435034724R1	
R7171	C-CARBON R	RN72K1J-272JE	1	435032724R1	
R7172	C-CARBON R	RN72K1J-272JE	1	435032724R1	
R7173	C-CARBON R	RN72K1J-272JE	1	435032724R1	
R7174	C-CARBON R	RN72K1J-272JE	1	435032724R1	
R7175	C-CARBON R	RN72K1J-272JE	1	435032724R1	
R7176	C-CARBON R	RN72K1J-272JE	1	435032724R1	
R7177	C-CARBON R	RN72K1J-272JE	1	435032724R1	
R7178	C-CARBON R	RN72K1J-272JE	1	435032724R1	
R7180	C-CARBON R	RN72K1J-470JE	1	435034704R1	
R7181	C-CARBON R	RN72K1J-102JE	1	435031024R1	
R7182	C-CARBON R	RN72K1J-470JE	1	435034704R1	
R7183	C-CARBON R	RN72K1J-000JE	1	435030004R1	
R7184	C-CARBON R	RN72K1J-221JE	1	435032214R1	
R7185	C-CARBON R	RN72K1J-221JE	1	435032214R1	
R7186	C-CARBON R	RN72K1J-221JE	1	435032214R1	
R7187	C-CARBON R	RN72K1J-221JE	1	435032214R1	
R7188	C-CARBON R	RN72K1J-470JE	1	435034704R1	
R7189	C-CARBON R	RN72K1J-470JE	1	435034704R1	
R7190	C-CARBON R	RN72K1J-470JE	1	435034704R1	

R7191	C-CARBON R	RN72K1J-470JE	1	435034704R1	
R7192	C-CARBON R	RN72K1J-470JE	1	435034704R1	
R7193	C-CARBON R	RN72K1J-470JE	1	435034704R1	
R7194	C-CARBON R	RN72K1J-221JE	1	435032214R1	
R7195	C-CARBON R	RN72K1J-000JE	1	435030004R1	
R7196	C-CARBON R	RN72K1J-000JE	1	435030004R1	
R7197	C-CARBON R	RN72K1J-221JE	1	435032214R1	<B MMA>
R7198	C-CARBON R	RN72K1J-470JE	1	435034704R1	
R7199	C-CARBON R	RN72K1J-221JE	1	435032214R1	
R7200	C-CARBON R	RN72K1J-103JE	1	435031034R1	
R7202	C-CARBON R	RN72K1J-103JE	1	435031034R1	
R7203	C-CARBON R	RN72K1J-103JE	1	435031034R1	
R7204	C-CARBON R	RN72K1J-103JE	1	435031034R1	
R7205	C-CARBON R	RN72K1J-103JE	1	435031034R1	
R7206	C-CARBON R	RN72K1J-103JE	1	435031034R1	
R7207	C-CARBON R	RN72K1J-103JE	1	435031034R1	
R7208	C-CARBON R	RN72K1J-103JE	1	435031034R1	
R7209	C-CARBON R	RN72K1J-103JE	1	435031034R1	
R7210	C-CARBON R	RN72K1J-103JE	1	435031034R1	
R7211	C-CARBON R	RN72K1J-103JE	1	435031034R1	
R7212	C-CARBON R	RN72K1J-103JE	1	435031034R1	
R7213	C-CARBON R	RN72K1J-473JE	1	435034734R1	
R7214	C-CARBON R	RN72K1J-103JE	1	435031034R1	
R7215	C-CARBON R	RN72K1J-224JE	1	435032244R1	
R7216	C-CARBON R	RN72K1J-224JE	1	435032244R1	
R7225	C-CARBON R	RN72K1J-103JE	1	435031034R1	
R7228	C-CARBON R	RN72K1J-103JE	1	435031034R1	
R7232	C-CARBON R	RN72K1J-473JE	1	435034734R1	
R7233	C-CARBON R	RN72K1J-470JE	1	435034704R1	
R7234	C-CARBON R	RN72K1J-103JE	1	435031034R1	<B MDD>
R7235	C-CARBON R	RN72K1J-103JE	1	435031034R1	
R7237	C-CARBON R	RN72K1J-103JE	1	435031034R1	
R7238	C-CARBON R	RN72K1J-562JE	1	435035624R1	<B MDD>, <B MMA>

R7239	C-CARBON R	RN72K1J-470JE	1	435034704R1	
R7240	C-CARBON R	RN72K1J-470JE	1	435034704R1	
R7241	C-CARBON R	RN72K1J-470JE	1	435034704R1	
R7242	C-CARBON R	RN72K1J-470JE	1	435034704R1	
R7243	C-CARBON R	RN72K1J-221JE	1	435032214R1	
R7244	C-CARBON R	RN72K1J-103JE	1	435031034R1	
R7245	C-CARBON R	RN72K1J-103JE	1	435031034R1	
R7246	C-CARBON R	RN72K1J-470JE	1	435034704R1	
R7247	C-CARBON R	RN72K1J-470JE	1	435034704R1	
R7248	C-CARBON R	RN72K1J-470JE	1	435034704R1	
R7249	C-CARBON R	RN72K1J-103JE	1	435031034R1	
R7251	C-CARBON R	RN72K1J-104JE	1	435031044R1	
R7254	C-CARBON R	RN72K1J-104JE	1	435031044R1	
R7255	C-CARBON R	RN72K1J-473JE	1	435034734R1	
R7256	C-CARBON R	RN72K1J-473JE	1	435034734R1	
R7257	C-CARBON R	RN72K1J-473JE	1	435034734R1	
R7258	C-CARBON R	RN72K1J-473JE	1	435034734R1	
R7259	C-CARBON R	RN72K1J-473JE	1	435034734R1	
R7261	C-CARBON R	RN72K1J-473JE	1	435034734R1	
R7263	C-CARBON R	RN72K1J-000JE	1	435030004R1	<B MDD>, <B MMA>
R7264	METAL O R	RS1/2WBJ-10	1	443521004T	
R7268	METAL R	RNU1/2WCJ-8.2	1	453530824T	
R7269	METAL R	RNU1/2WCJ-8.2	1	453530824T	
R7270	C-CARBON R	RN72K1J-470JE	1	435034704R1	
R7273	C-CARBON R	RN72K1J-102JE	1	435031024R1	
R7274	C-CARBON R	RN72K1J-222JE	1	435032224R1	
R7275	C-CARBON R	RN72K1J-102JE	1	435031024R1	
R7276	C-CARBON R	RN72K1J-222JE	1	435032224R1	
R7285	C-CARBON R	RN72K1J-470JE	1	435034704R1	
R7286	C-CARBON R	RN72K1J-221JE	1	435032214R1	
R7289	C-CARBON R	RN72K1J-470JE	1	435034704R1	
R7290	C-CARBON R	RN72K1J-470JE	1	435034704R1	
R7291	C-CARBON R	RN72K1J-470JE	1	435034704R1	



R7292	C-CARBON R	RN72K1J-470JE	1	435034704R1	
R7293	C-CARBON R	RN72K1J-221JE	1	435032214R1	
R7294	C-CARBON R	RN72K1J-103JE	1	435031034R1	
R7295	C-CARBON R	RN72K1J-470JE	1	435034704R1	
R7296	C-CARBON R	RN72K1J-470JE	1	435034704R1	
R7297	C-CARBON R	RN72K1J-470JE	1	435034704R1	
R7299	C-CARBON R	RN72K1J-221JE	1	435032214R1	
R7300	METAL O R	RS1/2WBJ-10	1	443521004T	
R7302	C-CARBON R	RN72K1J-470JE	1	435034704R1	<B MDD>, <B MMA>
R7303	C-CARBON R	RN72K1J-470JE	1	435034704R1	<B MDD>, <B MMA>
R7304	C-CARBON R	RN72K1J-100JE	1	435031004R1	<B MDD>, <B MMA>
R7305	C-CARBON R	RN72K1J-000JE	1	435030004R1	<B MDD>, <B MMA>
R7306	C-CARBON R	RN72K1J-000JE	1	435030004R1	<B MDD>, <B MMA>
R7307	C-CARBON R	RN72K1J-273JE	1	435032734R1	
R7308	C-CARBON R	RN72K1J-273JE	1	435032734R1	
R7309	C-CARBON R	RN72K1J-273JE	1	435032734R1	
R7311	C-CARBON R	RN72K1J-473JE	1	435034734R1	
R7312	C-CARBON R	RN72K1J-103JE	1	435031034R1	<B MDD>, <B MMA>
R7314	C-CARBON R	RN72K1J-273JE	1	435032734R1	<B MDD>, <B MMA>
R7315	C-CARBON R	RN72K1J-823JE	1	435038234R1	<B MDD>, <B MMA>
R7316	C-CARBON R	RN72K1J-103JE	1	435031034R1	<B MDD>, <B MMA>
R7317	C-CARBON R	RN72K1J-103JE	1	435031034R1	<B MDD>, <B MMA>
R7318	C-CARBON R	RN72K1J-102JE	1	435031024R1	
R7319	C-CARBON R	RN72K1J-472JE	1	435034724R1	<B MDD>, <B MMA>
R8030	C-CARBON R	RN72K1J-105JE	1	435031054R1	<B MDD>, <B MMA>
R8031	C-CARBON R	RN72K1J-105JE	1	435031054R1	<B MDD>, <B MMA>
R8032	C-CARBON R	RN72K1J-105JE	1	435031054R1	<B MDD>, <B MMA>
R8033	C-CARBON R	RN72K1J-105JE	1	435031054R1	<B MDD>, <B MMA>
<b>[SW TRM]</b>					
E1A	TRM	NTM-1P233(M1969)	1	25060302	
E2	TRM-423(SCREW)	NEJITANSI ST3	1	25060495	
JL3889A	WIRE HOL	NSCT-5P896	1	25051109	
JL9501A	WIRE HOL	NSCT-7P898	1	25051111	

P004	PWB	BCDG-0208	1	25140208E	N
P005	PWB	BCCPU-0209	{ 1}	25140209	N
P006	PWB	BCAR-0210	{ 1}	25140210	N
P007	PWB	BCAF-0211	{ 1}	25140211	N
P008	PWB	BCACC-0212	{ 1}	25140212	N
P009	PWB	BCRF-0204	{ 1}	25140204	N
P011	PWB	BCETC-0246	{ 1}	25140246	N
P012	PWB	BCETC-0247	{ 1}	25140247	<B MDD>, <B MMA>
P1010	PLUG	IMSA-9201B-1-06Z388-PT1	1	25056614	
P103A	PLUG	NPLG-11P0966	1	25056016	
P104A	PLUG	NPLG-7P0962	1	25056012	
P105A	PLUG	NPLG-7P0962	1	25056012	
P106B	SOCKET	NSCT-11P2104	1	25052207	<B MDD>, <B MMA>
P107A	PLUG	NPLG-11P0966	1	25056016	
P2103B	SOCKET	IMSA-9142S-18A	1	25053231	
P2104B	SOCKET	IMSA-9142S-20A	1	25053232	
P3101A	PLUG	IMSA-9142B-26A	1	25056603	
P3605B	SOCKET	IMSA-9142S-18A	1	25053231	
P3606B	SOCKET	IMSA-9142S-8A	1	25053226	
P3607B	SOCKET	IMSA-9142S-16A	1	25053230	
P3608B	SOCKET	IMSA-9142S-18A	1	25053231	
P3704	TRM-423(SCREW)	NEJITANSI ST3	1	25060495	
P3705	TRM-423(SCREW)	NEJITANSI ST3	1	25060495	
P3885A	PLUG	NPLG-11P0966	1	25056016	
P3885B	SOCKET	NSCT-11P2191	1	25052294	
P3886	PIN JACK	NPJ-3PDO431	1	25045624	<B MDD>, <B MMA>
P3886 or	PIN JACK	NPJ-3PDO657	( 1)	25045885	<B MDD>, <B MMA>
P3887	SOCKET	MDS-09P-V-01(DSUB9P)	1	25053363	
P3888	ST JACK	MSJ-035-22	1	25045887	
P3888 or	JACK	YKB21-5130	( 1)	25045387	
P4002B	SOCKET	NSCT-9P1024	1	25051234	
P4003	TRM	NTM-1P233(M1969)	1	25060302	
P4008B	SOCKET	NSCT-9P2102	1	25052205	N

P4009B	SOCKET	NSCT-15P2108	1	25052211	
P4020B	SOCKET	9210B-1-13Z140-PT1	1	25053364	N
P4021B	SOCKET	9210B-1-13Z140-PT1	1	25053364	N
P6851A	PLUG	IMSA-9142B-26A	1	25056603	
P6853A	SOCKET	NSCT-9P2189	1	25052292	
P7003B	SOCKET	IMSA-9618S-09A	1	25053334R2	
P7009B	SOCKET	IMSA-9142S-18A	1	25053231	
P7010B	SOCKET	IMSA-9142S-26A	1	25053235	
P7012	TRM-423(SCREW)	NEJITANSI ST3	1	25060495	
P7501A	PLUG	A2545WR2-2x20P(IDE40SIDE)	1	25056643	
P8	SOCKET	2MJ-3516-002	1	25053355	<B MDD>
P8000	SOCKET	MDS-15P-V02(DSUB15)	1	25053362	<B MDD>, <B MMA>
P8002A	SOCKET	NSCT-11P2402	1	25052505	<B MDD>, <B MMA>
S3701	SLIDE SW	SSSS213000	1	25060497	
S7000	SLIDE SW	SSSS213000	1	25060497	N <B MDD>, <B MMA>

**DHC-80.1**

<b>U005</b>	<b>U0050 ~ U0057</b>	<b>BADIS-0121-1C *</b>	<b>1</b>	<b>1B234521-1C</b>	<b>N</b>
<b>U0050</b>	<b>DISPLAY PC BOARD AS</b>	<b>BADIS-0121-1C</b>	<b>1</b>	<b>1B2345121-1C</b>	<b>N</b>
<b>U0051</b>	<b>LED-SW PC BOARD AS</b>	<b>BASW-0122-1C</b>	<b>1</b>	<b>1B2345122-1C</b>	<b>N</b>
<b>U0052</b>	<b>PHONE JACK PC BOARD AS</b>	<b>BAETC-0123-1C</b>	<b>1</b>	<b>1B2345123-1C</b>	<b>N</b>
<b>U0053</b>	<b>FRONT OPT IN PC BOARD AS</b>	<b>BAETC-0124-1C</b>	<b>1</b>	<b>1B2345124-1C</b>	<b>N</b>
<b>U0054</b>	<b>VOLUME PC BOARD AS</b>	<b>BAETC-0125-1C</b>	<b>1</b>	<b>1B2345125-1C</b>	<b>N</b>
<b>U0055</b>	<b>POWER SUPPLY (SEC) PC BOARD AS</b>	<b>BAPS-0126-1C</b>	<b>1</b>	<b>1B2345126-1C</b>	<b>N</b>
<b>U0056</b>	<b>HOLDER(U0053) PC BOARD AS</b>	<b>BAETC-0127-1C</b>	<b>1</b>	<b>1B2345127-1C</b>	<b>N</b>
<b>U0057</b>	<b>HOLDER(U0101) PC BOARD AS</b>	<b>BAETC-0128-1C</b>	<b>1</b>	<b>1B2345128-1C</b>	<b>N</b>

CIRCUIT. NO.	PART NAME	DESCRIPTION	Q'TY	PART NO. (SN)	REMARKS
<b>[TUNER UNIT]</b>					
U7520	PHT CP	JSR1321-001	1	24120138	
U7560	REMO SENS	TSOP34338RF1F	1	24130017	
<b>[SEMI CONDUCTOR]</b>					

D7500	ZENER D	UDZS10B	1	224551000R2
D7520	C-DIODE	ISS355	1	223269R2
D7520 or	C-DIODE	ISS352	(1)	223234R2
D7520 or	C-DIODE	MA2J111	(1)	223279R2
D7520 or	C-DIODE	KDS4148U	(1)	223283R2
D7521	C-DIODE	ISS355	1	223269R2
D7521 or	C-DIODE	ISS352	(1)	223234R2
D7521 or	C-DIODE	MA2J111	(1)	223279R2
D7521 or	C-DIODE	KDS4148U	(1)	223283R2
D7522	C-DIODE	ISS355	1	223269R2
D7522 or	C-DIODE	ISS352	(1)	223234R2
D7522 or	C-DIODE	MA2J111	(1)	223279R2
D7522 or	C-DIODE	KDS4148U	(1)	223283R2
D7523	C-DIODE	ISS355	1	223269R2
D7523 or	C-DIODE	ISS352	(1)	223234R2
D7523 or	C-DIODE	MA2J111	(1)	223279R2
D7523 or	C-DIODE	KDS4148U	(1)	223283R2
D7530	ZENER D	UDZS5.1B	1	224550510R2
D7531	C-DIODE	ISS355	1	223269R2
D7531 or	C-DIODE	ISS352	(1)	223234R2
D7531 or	C-DIODE	MA2J111	(1)	223279R2
D7531 or	C-DIODE	KDS4148U	(1)	223283R2
D7532	C-DIODE	ISS355	1	223269R2
D7532 or	C-DIODE	ISS352	(1)	223234R2
D7532 or	C-DIODE	MA2J111	(1)	223279R2
D7532 or	C-DIODE	KDS4148U	(1)	223283R2
D7560	C-DIODE	ISS355	1	223269R2
D7560 or	C-DIODE	ISS352	(1)	223234R2
D7560 or	C-DIODE	MA2J111	(1)	223279R2
D7560 or	C-DIODE	KDS4148U	(1)	223283R2
D7561	C-DIODE	ISS355	1	223269R2
D7561 or	C-DIODE	ISS352	(1)	223234R2
D7561 or	C-DIODE	MA2J111	(1)	223279R2

D7561 or	C-DIODE	KDS4148U	(1)	223283R2
D7570	SPCF D	TSAL5300	1	225488
D7580	C-DIODE	ISS355	1	223269R2
D7580 or	C-DIODE	ISS352	(1)	223234R2
D7580 or	C-DIODE	MA2J111	(1)	223279R2
D7580 or	C-DIODE	KDS4148U	(1)	223283R2
D7581	C-DIODE	ISS355	1	223269R2
D7581 or	C-DIODE	ISS352	(1)	223234R2
D7581 or	C-DIODE	MA2J111	(1)	223279R2
D7581 or	C-DIODE	KDS4148U	(1)	223283R2
D7582	C-DIODE	ISS355	1	223269R2
D7582 or	C-DIODE	ISS352	(1)	223234R2
D7582 or	C-DIODE	MA2J111	(1)	223279R2
D7582 or	C-DIODE	KDS4148U	(1)	223283R2
D7583	C-DIODE	ISS355	1	223269R2
D7583 or	C-DIODE	ISS352	(1)	223234R2
D7583 or	C-DIODE	MA2J111	(1)	223279R2
D7583 or	C-DIODE	KDS4148U	(1)	223283R2
D7592	LED	SLR-342MGTE7P	1	225455T
D7593	LED	SLR-342MGTE7P	1	225455T
D7595	LED	SLI-343URC-TE7	1	225449T
D7607	LED	SLR-342MGTE7P	1	225455T
D9303	DIODE	D10XB60H	1	22380337F
D9306	ZENER D	UDZS30B	1	224553000R2
D9310	ZENER D	UDZS16B	1	224551600R2
D9312	DIODE	RL1N4003	1	22380260T
D9313	DIODE	RL1N4003	1	22380260T
D9314	DIODE	RL1N4003	1	22380260T
D9315	DIODE	RL1N4003	1	22380260T
D9316	DIODE	RL1N4003	1	22380260T
D9350	C-DIODE	ISS355	1	223269R2
D9351	C-DIODE	CRS09(TE85L_Q)	1	223274R2
Q7500	FL TUBE	HNA-16SL05T	1	212271A

Q7500A	HOLDER	(FL)	1	27191303
Q7501	IC	M66005-0001AHP	1	22242208R3
Q7502	IC	M66005-0001AHP	1	22242208R3
Q7503	TR	2SC2712-GR	1	2213145R2
Q7504	TR	2SC2712-GR	1	2213145R2
Q7530	IC	NJM4580M-D	1	22241448R2
Q7532	TR	RN1441	1	2215410R2
Q7533	TR	RN2403	1	2214540R2
Q7533 or	TR	KRA103S	(1)	2216230R2
Q7534	IC	NJM4580M-D	1	22241448R2
Q7540	TR	DTA123JKA	1	2214090R2
Q7592	TR	DTC123JKA	1	2216690R2
Q7593	TR	DTC123JKA	1	2216690R2
Q7598	TR	DTC123JKA	1	2216690R2
Q9301	TR	2SC2235-Y(TPE6_F)	1	2211654T
Q9350	IC	SI8008TM	1	22242323R2
<b>[TRANS COIL]</b>				
L7520	CHOKE COIL	LBC2518T2R2M	1	231364M022R2
L7530	CHOKE COIL	LBC2518T2R2M	1	231364M022R2
L7580	CHOKE COIL	LBC2518T2R2M	1	231364M022R2
L7581	CHOKE COIL	LBC2518T2R2M	1	231364M022R2
L7582	CHOKE COIL	LBC2518T2R2M	1	231364M022R2
L9350	CHOKE COIL	NCH-2541	1	231363K470A
L9350 or	COIL	0182-7310-470K-RB	(1)	231389
<b>[CAPACITOR]</b>				
C7501	C-CERA C	CK725B1H-223K1	1	332102235R1
C7502	C-CERA C	CK725F1E-104Z1	1	332161040R1
C7503	C-CERA C	CK725F1E-104Z1	1	332161040R1
C7504	C-CERA C	CK725B1H-473K1	1	332104735R1
C7505	C-CERA C	CK725B1H-473K1	1	332104735R1
C7506	ELECT C	CE04W50V-33M	1	355783309T
C7511	C-CERA C	CK725F1E-104Z1	1	332161040R1
C7512	C-CERA C	CC725CH1H-180J1	1	342101804R1

C7513	C-CERA C	CK725F1E-104Z1	1	332161040R1
C7514	C-CERA C	CK725F1E-104Z1	1	332161040R1
C7516	ELECT C	CE04W35V-47M	1	355764709T
C7518	C-CERA C	CK725F1E-104Z1	1	332161040R1
C7519	C-CERA C	CK725F1E-104Z1	1	332161040R1
C7520	C-CERA C	CK725B1H-223K1	1	332102235R1
C7521	UTSP C	CE04W10V-100M(UTSP)	1	397531017T
C7522	C-CERA C	CC725CH1H-221J1	1	342102214R1
C7523	C-CERA C	CC725CH1H-221J1	1	342102214R1
C7524	C-CERA C	CK725B1H-102K1	1	332101025R1
C7530	C-CERA C	CK725B1H-102K1	1	332101025R1
C7531	C-CERA C	CK725B1H-102K1	1	332101025R1
C7533	ELECT C	CE04W35V-47M	1	355764709T
C7534	ELECT C	CE04W16V-47M	1	355744709T
C7535	ELECT C	CE04W35V-10M(S)	1	353761009T
C7536	C-CERA C	CC725CH1H-101J1	1	342101014R1
C7537	C-CERA C	CC725CH1H-330J1	1	342103304R1
C7538	ELECT C	CE04W35V-10M(S)	1	353761009T
C7539	ELECT C	CE04W35V-10M(S)	1	353761009T
C7540	ELECT C	CE04W35V-10M(S)	1	353761009T
C7543	C-CERA C	CK725B1H-102K1	1	332101025R1
C7560	ELECT C	CE04W6.3V-220M	1	355722219T
C7561	C-CERA C	CK725B1H-102K1	1	332101025R1
C7562	C-CERA C	CK725B1H-102K1	1	332101025R1
C7580	MKT C	B32529C0102J289	1	376491024T
C7581	MKT C	B32529C0102J289	1	376491024T
C7582	MKT C	B32529C0102J289	1	376491024T
C7583	MKT C	B32529C0102J289	1	376491024T
C7590	C-CERA C	CK725B1H-103K1	1	332101035R1
C7591	C-CERA C	CK725B1H-103K1	1	332101035R1
C7900	C-CERA C	CK725F1E-104Z1	1	332161040R1
C9302	VR C	CE04W16V-10000M(VR)	1	394641037S
C9304	VR C	CE04W63V-470M(VR)	1	394674717S

C9305	VR C	CE04W63V-47M(VR)	1	394674707T
C9306	TF C	ECQ-V50V-223J	1	374722234T
C9307	TF C	ECQ-V50V-334J	1	374723344T
C9350	VR C	CE04W16V-470M(VR)	1	394644717T
C9351	VR C	CE04W6.3V-1000M(VR)	1	394621027T
<b>[RESISTOR]</b>				
R7500	C-CARBON R	RN72K1J-221JE	1	435032214R1
R7501	C-CARBON R	RN72K1J-221JE	1	435032214R1
R7502	C-CARBON R	RN72K1J-273JE	1	435032734R1
R7503	C-CARBON R	RN72K1J-222JE	1	435032224R1
R7504	C-CARBON R	RN72K1J-222JE	1	435032224R1
R7505	C-CARBON R	RN72K1J-222JE	1	435032224R1
R7506	C-CARBON R	RN72K1J-222JE	1	435032224R1
R7507	C-CARBON R	RN72K1J-222JE	1	435032224R1
R7508	C-CARBON R	RN72K1J-222JE	1	435032224R1
R7509	C-CARBON R	RN72K1J-222JE	1	435032224R1
R7510	C-CARBON R	RN72K1J-222JE	1	435032224R1
R7511	C-CARBON R	RN72K1J-000JE	1	435030004R1
R7512	C-CARBON R	RN72K1J-000JE	1	435030004R1
R7520	C-CARBON R	RN72K1J-221JE	1	435032214R1
R7521	C-CARBON R	RN72K1J-331JE	1	435033314R1
R7522	C-CARBON R	RN72K1J-331JE	1	435033314R1
R7523	C-CARBON R	RN72K1J-750JE	1	435037504R1
R7526	C-CARBON R	RN72K1J-223JE	1	435032234R1
R7527	C-CARBON R	RN72K1J-223JE	1	435032234R1
R7528	C-CARBON R	RN72K1J-224JE	1	435032244R1
R7529	C-CARBON R	RN72K1J-224JE	1	435032244R1
R7530	C-CARBON R	RN72K1J-472JE	1	435034724R1
R7531	C-CARBON R	RN72K1J-101JE	1	435031014R1
R7532	C-CARBON R	RN72K1J-331JE	1	435033314R1
R7533	C-CARBON R	RN72K1J-182JE	1	435031824R1
R7534	C-CARBON R	RN72K1J-104JE	1	435031044R1
R7535	C-CARBON R	RN72K1J-102JE	1	435031024R1



R7536	C-CARBON R	RN72K1J-333JE	1	435033334R1
R7537	C-CARBON R	RN72K1J-333JE	1	435033334R1
R7538	C-CARBON R	RN72K1J-221JE	1	435032214R1
R7539	C-CARBON R	RN72K1J-221JE	1	435032214R1
R7540	C-CARBON R	RN72K1J-473JE	1	435034734R1
R7541	C-CARBON R	RN72K1J-180JE	1	435031804R1
R7560	C-CARBON R	RN72K1J-102JE	1	435031024R1
R7561	C-CARBON R	RN72K1J-101JE	1	435031014R1
R7562	C-CARBON R	RN72K1J-105JE	1	435031054R1
R7580	METAL O R	RS1WBJ-33	1	443623304T
R7581	METAL O R	RS1WBJ-33	1	443623304T
R7590	C-CARBON R	RN72K1J-103JE	1	435031034R1
R7591	C-CARBON R	RN72K1J-103JE	1	435031034R1
R7592	C-CARBON R	RN72K1J-103JE	1	435031034R1
R7593	C-CARBON R	RN72K1J-103JE	1	435031034R1
R7596	C-CARBON R	RN72K1J-331JE	1	435033314R1
R7597	C-CARBON R	RN72K1J-331JE	1	435033314R1
R7599	C-CARBON R	RN72K1J-102JE	1	435031024R1
R7611	C-CARBON R	RN72K1J-271JE	1	435032714R1
R7612	C-CARBON R	RN72K1J-331JE	1	435033314R1
R7613	C-CARBON R	RN72K1J-471JE	1	435034714R1
R7614	C-CARBON R	RN72K1J-561JE	1	435035614R1
R7615	C-CARBON R	RN72K1J-821JE	1	435038214R1
R7616	C-CARBON R	RN72K1J-122JE	1	435031224R1
R7617	C-CARBON R	RN72K1J-222JE	1	435032224R1
R7618	C-CARBON R	RN72K1J-392JE	1	435033924R1
R7619	C-CARBON R	RN72K1J-123JE	1	435031234R1
R7621	C-CARBON R	RN72K1J-271JE	1	435032714R1
R7622	C-CARBON R	RN72K1J-331JE	1	435033314R1
R7623	C-CARBON R	RN72K1J-471JE	1	435034714R1
R7624	C-CARBON R	RN72K1J-561JE	1	435035614R1
R7625	C-CARBON R	RN72K1J-821JE	1	435038214R1
R7626	C-CARBON R	RN72K1J-122JE	1	435031224R1

R7627	C-CARBON R	RN72K1J-222JE	1	435032224R1
R7628	C-CARBON R	RN72K1J-392JE	1	435033924R1
R7629	C-CARBON R	RN72K1J-123JE	1	435031234R1
R7631	C-CARBON R	RN72K1J-271JE	1	435032714R1
R7632	C-CARBON R	RN72K1J-331JE	1	435033314R1
R7633	C-CARBON R	RN72K1J-471JE	1	435034714R1
R7634	C-CARBON R	RN72K1J-561JE	1	435035614R1
R7635	C-CARBON R	RN72K1J-821JE	1	435038214R1
R7636	C-CARBON R	RN72K1J-122JE	1	435031224R1
R7637	C-CARBON R	RN72K1J-222JE	1	435032224R1
R7638	C-CARBON R	RN72K1J-392JE	1	435033924R1
R7639	C-CARBON R	RN72K1J-123JE	1	435031234R1
R7641	C-CARBON R	RN72K1J-271JE	1	435032714R1
R7642	C-CARBON R	RN72K1J-331JE	1	435033314R1
R7643	C-CARBON R	RN72K1J-471JE	1	435034714R1
R7644	C-CARBON R	RN72K1J-561JE	1	435035614R1
R7645	C-CARBON R	RN72K1J-821JE	1	435038214R1
R7646	C-CARBON R	RN72K1J-122JE	1	435031224R1
R7647	C-CARBON R	RN72K1J-222JE	1	435032224R1
R7648	C-CARBON R	RN72K1J-392JE	1	435033924R1
R7649	C-CARBON R	RN72K1J-123JE	1	435031234R1
R7802	C-CARBON R	RN72K1J-331JE	1	435033314R1
R7939	C-CARBON R	RN72K1J-104JE	1	435031044R1
R7954	C-CARBON R	RN72K1J-104JE	1	435031044R1
R9304	METAL O R	RS1/2WBJ-10	1	443521004T
R9305	C-CARBON R	RN72K1J-562JE	1	435035624R1
R9307	C-CARBON R	RN72K1J-333JE	1	435033334R1
R9308	METAL R	RNU1/2WCJ-0.1	1	453531094T
R9310	METAL O R	RS1/2WBJ-27	1	443522704T
R9350	METAL R	RNU1/2WCJ-0.22	1	453532294T
R9351	C-CARBON R	RN72K1J-563JE	1	435035634R1
R9352	C-CARBON R	RN72K1J-562JE	1	435035624R1
R9353	C-CARBON R	RN72K1J-102JE	1	435031024R1

R9354	C-CARBON R	RN72K1J-392JE	1	435033924R1	
<b>[SW TRM]</b>					
E7580	TRM	NTM-1P233(M1969)	1	25060302	
F9301A	FUSE HOL	NSCT-1P2031	1	25052133T	
F9301B	FUSE HOL	NSCT-1P2031	1	25052133T	
JL4103B	SOCKET	NSCT-5P97	1	25050269	
JL7560A	WIRE HOL	NSCT-3P874	1	25051087	
JL7560B	WIRE HOL	NSCT-3P874	1	25051087	
JL7562A	WIRE HOL	NSCT-3P874	1	25051087	
JL7562B	WIRE HOL	NSCT-3P874	1	25051087	
JL7591A	WIRE HOL	NSCT-5P896	1	25051109	
JL7591B	WIRE HOL	NSCT-5P896	1	25051109	
JL9303A	WIRE HOL	NSCT-5P876	1	25051089	
JL9303B	WIRE TRAP	NPLG-5P588	1	25055626	
JL9501B	SOCKET	NSCT-7P99	1	25050271	
P7501B	PLUG	A2545WR2-2x20P(IDE40SIDE)	1	25056643	
P7522	PIN JACK	NPJ-3PDB694	1	25045926	
P7530	ST JACK	MSJ-035-05C B AG GR type	1	25045880	
P7566	PWB	BCDIS-0121	1	25140121C	N
P7567	PWB	BCSW-0122	{ 1 }	25140122	
P7568	PWB	BCETC-0123	{ 1 }	25140123	
P7569	PWB	BCETC-0124	{ 1 }	25140124	
P7570	PWB	BCETC-0125	{ 1 }	25140125	
P7580	ST JACK	MSJ-064-05A GR	1	25045782	
P7581	PWB	BCPS-0126	{ 1 }	25140126	
P7582	PWB	BCETC-0127	{ 1 }	25140127	
P7583	PWB	BCETC-0128	{ 1 }	25140128	
P7590A	SOCKET AS	NSAS-22P1061	1	2002A392205	
P7590B	PLUG	NPLG-11P139	1	25055155	
P7599A	SOCKET AS	NSAS-7P1800	1	2002A391405UL	
P7599B	PLUG	NPLG-7P135	1	25055151	
P9301A	PLUG	NPLG-6P120	1	25055136	
S7590	R ENCODE	EVEHD1F3024B	1	25065695W	

S7611	PUSH SW	NPS-111-S681	1	25035718T
S7612	PUSH SW	NPS-111-S681	1	25035718T
S7613	PUSH SW	NPS-111-S681	1	25035718T
S7614	PUSH SW	NPS-111-S681	1	25035718T
S7615	PUSH SW	NPS-111-S681	1	25035718T
S7616	PUSH SW	NPS-111-S681	1	25035718T
S7617	PUSH SW	NPS-111-S681	1	25035718T
S7618	PUSH SW	NPS-111-S681	1	25035718T
S7619	PUSH SW	NPS-111-S681	1	25035718T
S7620	PUSH SW	NPS-111-S681	1	25035718T
S7621	PUSH SW	NPS-111-S681	1	25035718T
S7622	PUSH SW	NPS-111-S681	1	25035718T
S7623	PUSH SW	NPS-111-S681	1	25035718T
S7624	PUSH SW	NPS-111-S681	1	25035718T
S7625	PUSH SW	NPS-111-S681	1	25035718T
S7626	PUSH SW	NPS-111-S681	1	25035718T
S7627	PUSH SW	NPS-111-S681	1	25035718T
S7628	PUSH SW	NPS-111-S681	1	25035718T
S7629	PUSH SW	NPS-111-S681	1	25035718T
S7630	PUSH SW	NPS-111-S681	1	25035718T
S7631	PUSH SW	NPS-111-S681	1	25035718T
S7632	PUSH SW	NPS-111-S681	1	25035718T
S7633	PUSH SW	NPS-111-S681	1	25035718T
S7634	PUSH SW	NPS-111-S681	1	25035718T
S7635	PUSH SW	NPS-111-S681	1	25035718T
S7636	PUSH SW	NPS-111-S681	1	25035718T
S7637	PUSH SW	NPS-111-S681	1	25035718T
S7638	PUSH SW	NPS-111-S681	1	25035718T
S7639	PUSH SW	NPS-111-S681	1	25035718T
S7640	PUSH SW	NPS-111-S681	1	25035718T
S7641	PUSH SW	NPS-111-S681	1	25035718T
S7642	PUSH SW	NPS-111-S681	1	25035718T
S7643	PUSH SW	NPS-111-S681	1	25035718T

S7644	PUSH SW	NPS-111-S681	1	25035718T	
S7645	PUSH SW	NPS-111-S681	1	25035718T	
S7646	PUSH SW	NPS-111-S681	1	25035718T	
S7647	PUSH SW	NPS-111-S681	1	25035718T	
S7648	PUSH SW	NPS-111-S681	1	25035718T	
S7650	PUSH SW	NPS-111-S681	1	25035718T	
<b>[CHASSIS SCREW]</b>					
D7570A	HOLDER	(LED)LH-5-5	1	27191312	
<b>DHC-80.1</b>					
<b>U007</b>	<b>HDMI PC BOARD AS</b>	<b>BAHDM-0157-1E *</b>	<b>1</b>	<b>1B234557-1E</b>	<b>N</b>
<b>CIRCUIT. NO.</b>	<b>PART NAME</b>	<b>DESCRIPTION</b>	<b>Q'TY</b>	<b>PART NO. (SN)</b>	<b>REMARKS</b>
<b>[SEMI CONDUCTOR]</b>					
D3101	C-DIODE	ISS352	1	223234R2	
D3101 or	C-DIODE	MA2J111	(1)	223279R2	
D3101 or	C-DIODE	KDS4148U	(1)	223283R2	
D3401	C-DIODE	ISS352	1	223234R2	
D3401 or	C-DIODE	MA2J111	(1)	223279R2	
D3401 or	C-DIODE	KDS4148U	(1)	223283R2	
D3501	C-DIODE	ISS352	1	223234R2	
D3501 or	C-DIODE	MA2J111	(1)	223279R2	
D3501 or	C-DIODE	KDS4148U	(1)	223283R2	
D8301	C-DIODE	ISS226(TE85L_F)	1	223266R2	
D8302	C-DIODE	ISS352	1	223234R2	
D8302 or	C-DIODE	MA2J111	(1)	223279R2	
D8302 or	C-DIODE	KDS4148U	(1)	223283R2	
D8351	C-DIODE	ISS226(TE85L_F)	1	223266R2	
D8352	C-DIODE	ISS352	1	223234R2	
D8352 or	C-DIODE	MA2J111	(1)	223279R2	
D8352 or	C-DIODE	KDS4148U	(1)	223283R2	
D8652	C-DIODE	ISR154-400	1	22380284R2	

D8653	C-DIODE	ISS352	1	223234R2	
D8653 or	C-DIODE	MA2J111	(1)	223279R2	
D8653 or	C-DIODE	KDS4148U	(1)	223283R2	
D8701	C-DIODE	ISS352	1	223234R2	
D8701 or	C-DIODE	MA2J111	(1)	223279R2	
D8701 or	C-DIODE	KDS4148U	(1)	223283R2	
D8801	C-DIODE	ISS352	1	223234R2	
D8801 or	C-DIODE	MA2J111	(1)	223279R2	
D8801 or	C-DIODE	KDS4148U	(1)	223283R2	
D8951	DIODE	RSX501LA-20	1	22380364R2	N
D8952	DIODE	RSX501LA-20	1	22380364R2	N
D8953	DIODE	RSX501LA-20	1	22380364R2	N
D8954	DIODE	RSX501LA-20	1	22380364R2	N
D8958	C-DIODE	ISS352	1	223234R2	
D8958 or	C-DIODE	MA2J111	(1)	223279R2	
D8958 or	C-DIODE	KDS4148U	(1)	223283R2	
Q205	IC	TC74VHC157FT	1	22274157ER2TO	
Q3001	IC	D830K011AZKB300ZrevC	1	22242617R3	
Q3002	IC(FW for DSP1)	NAND256W3A2BN6E(0323)	1	222W0092R303236	
Q3003	IC	IS42S16160C-7TL	1	22242592R3	
Q3003 or	IC	K4S561632J-UC75	(1)	22242524AR3	
Q3004	IC	IS42S16160C-7TL	1	22242592R3	
Q3004 or	IC	K4S561632J-UC75	(1)	22242524AR3	
Q3005	IC	TC7W32FU	1	22241162R2	
Q3006	IC	S-80127CNMC-JKM-T2	1	22241642R2	
Q3102	IC	MIC2005-0.5YM6	1	22242590R2	
Q3103	IC	BH18LB1WG-TR	1	22242562R2	
Q3104	IC	TPD2E001DRLR	1	22242589R2	
Q3106	IC	BH33FB1WG-TR	1	22242585R2	
Q3107	IC	TA48033BF(TE16L_NQ)	1	22278033DBR2TO	
Q3108	IC	KSZ8041NL	1	22242591R2	
Q3109	IC	BD7820	1	22242300R2	
Q3110	IC	MIC2005-0.5YM6	1	22242590R2	

Q3202	IC	TC74VHC157FT	1	22274157ER2TO	
Q3204	IC	TC7SZU04FU	1	22242512R2TO	
Q3205	IC	TC7SZU04FU	1	22242512R2TO	
Q3206	IC	NE5532APSR	1	22242283R2	
Q3207	IC	NE5532APSR	1	22242283R2	
Q3210	IC	TC7WH241FU(TE12L_F)	1	22242076R2TO	
Q3401	IC(DSP2)	ES29LV160ET-70TG(0325)	1	222W0069R303257	
Q3401 or	IC(DSP2)	S29AL016D70TFI010(0325)	(1)	222W0063R303257	
Q3401 or	IC(DSP2)	S29AL016J70TFI010(0325)	(1)	222W0100R303257	N
Q3401 or	IC(DSP2)	MX29LV160DTTI-7(0325)	(1)	222W0104R303257	
Q3402	IC	D788E001BRFP266Z	1	22242502R3	
Q3403	IC	K4S641632K-UC60	1	22242462R2	
Q3403 or	IC	K4S641632N-LC60	(1)	22242603R2	
Q3403 or	IC	EM638165TS-7G	(1)	22242607R2	
Q3404	IC	BD7820	1	22242300R2	
Q3405	IC	TC7WU04FU(TE12L_F)	1	22240935R2	
Q3406	IC	TA48033BF(TE16L_NQ)	1	22278033DBR2TO	
Q3501	IC(DSP3)	ES29LV160ET-70TG(0326)	1	222W0069R303268	
Q3501 or	IC(DSP3)	S29AL016D70TFI010(0326)	(1)	222W0063R303268	
Q3501 or	IC(DSP3)	S29AL016J70TFI010(0326)	(1)	222W0100R303268	N
Q3501 or	IC(DSP3)	MX29LV160DTTI-7(0326)	(1)	222W0104R303268	
Q3502	IC	D788E001BRFP266Z	1	22242502R3	
Q3503	IC	K4S641632K-UC60	1	22242462R2	
Q3503 or	IC	K4S641632N-LC60	(1)	22242603R2	
Q3503 or	IC	EM638165TS-7G	(1)	22242607R2	
Q3504	IC	BD7820	1	22242300R2	
Q3604	IC	PCM1754DBQR	1	22242598R2	
Q8001	IC	ADV7800BSTZ-150	1	22242606R3	N
Q8002	IC	TA48018BF(TE16L_NQ)	1	22278018DBR2TO	
Q8003	IC	K4S641632K-UC60	1	22242462R2	
Q8003 or	IC	K4S641632N-LC60	(1)	22242603R2	
Q8161	IC	TA48018BF(TE16L_NQ)	1	22278018DBR2TO	
Q8162	IC	SH9185ACTU	1	22242471R3	

Q8305	IC	S-812C50BUC-C5ET2G	1	22242407R2	
Q8306	IC	NC7SZ08P5X_F042	1	22242482R2	
Q8306 or	IC	TC7SZ08FU(TE85L_F)	(1)	22242071R2TO	
Q8309	TR ARRAY	UM6K1N	1	226066R2	
Q8355	IC	S-812C50BUC-C5ET2G	1	22242407R2	
Q8356	IC	NC7SZ08P5X_F042	1	22242482R2	
Q8356 or	IC	TC7SZ08FU(TE85L_F)	(1)	22242071R2TO	
Q8359	TR ARRAY	UM6K1N	1	226066R2	
Q8362	IC	SI9185ACTU	1	22242471R3	
Q8401	IC	SI9134CTU	1	22242394R3	
Q8404	IC	BH18LB1WG-TR	1	22242562R2	
Q8405	IC	SN74CB3Q3305PWR	1	22242258R2	
Q8451	IC	SI9134CTU	1	22242394R3	
Q8454	IC	BH18LB1WG-TR	1	22242562R2	
Q8501	IC	SI9233ACTU	1	22242582R3	
Q8595	IC	TA48018BF(TE16L_NQ)	1	22278018DBR2TO	
Q8652	IC	BH33FB1WG-TR	1	22242585R2	
Q8654	IC	BD7820	1	22242300R2	
Q8701	IC(HDMI/VIDEO)	MPD70F3739GC-UEU-AX(0333)	1	222W0102R303335	
Q8801	IC	ADV7342BSTZ-3	1	22242608R3	N
Q8802	IC	BH18LB1WG-TR	1	22242562R2	
Q8803	TR	DTC144EE	1	2216390R2	
Q8803 or	TR	KRC404E	(1)	2216450R2	
Q8807	IC	TC7WZU04FU(TE12L_F)	1	22242078R2TO	
Q8808	IC	TC74VCX162827	1	22242395R2	
Q8809	IC	TC74VCX162827	1	22242395R2	
Q8810	IC	TC74VCX162827	1	22242395R2	
Q8811	IC	TC74VCX162827	1	22242395R2	
Q8812	IC	TC74VCX162827	1	22242395R2	
Q8813	IC	TC74VCX162827	1	22242395R2	
Q8814	IC	TC74VCX162827	1	22242395R2	
Q8815	IC	TC74VCX162827	1	22242395R2	
Q8817	IC	TC74VCX162827	1	22242395R2	



Q8818	IC	TC74VCX162827	1	22242395R2
Q8951	IC	MP1593DN	1	22242601R2
Q8952	IC	MP1593DN	1	22242601R2
Q8953	IC	MP1593DN	1	22242601R2
Q8954	IC	MP1593DN	1	22242601R2
Q8955	TR	DTC144EE	1	2216390R2
Q8955 or	TR	KRC404E	(1)	2216450R2
Q8956	TR	DTC144EE	1	2216390R2
Q8956 or	TR	KRC404E	(1)	2216450R2
Q8957	TR	DTC144EE	1	2216390R2
Q8957 or	TR	KRC404E	(1)	2216450R2
Q8958	TR	DTC144EE	1	2216390R2
Q8958 or	TR	KRC404E	(1)	2216450R2
U8001	IC	VX-50	1	22242392R3
U8027	IC	HY5DU561622ETP-4-C	1	22242450R3
U8027 or	IC	HY5DU561622FTP-4-C	(1)	22242577R3
U8028	IC	HY5DU561622ETP-4-C	1	22242450R3
U8028 or	IC	HY5DU561622FTP-4-C	(1)	22242577R3
U8029	IC	HY5DU561622ETP-4-C	1	22242450R3
U8029 or	IC	HY5DU561622FTP-4-C	(1)	22242577R3
U8030	IC	HY5DU561622ETP-4-C	1	22242450R3
U8030 or	IC	HY5DU561622FTP-4-C	(1)	22242577R3
U8031	IC(VSP)	S29GL128P90TFIR20(0340)	1	222W0090R30340A
U8031 or	IC(VSP)	S29GL128N10TFI020(0340)	(1)	222W0071R30340A
U8067	IC	LP2996MX	1	22242438R2
<b>[TRANS COIL]</b>				
L251	CORE	BLM18PG181SN1D	1	2350005R1
L261	EMIFIL	BK1608LM182-T	1	230958R1
L3001	CORE	BLM18PG121SN1D	1	2350006R1
L3002	CORE	BLM18PG121SN1D	1	2350006R1
L3003	CORE	BLM18PG121SN1D	1	2350006R1
L3004	CORE	BLM18PG121SN1D	1	2350006R1
L3005	CORE	BLM18PG121SN1D	1	2350006R1

L3102	CORE	BLM18PG181SN1D	1	2350005R1
L3103	CORE	BLM18PG121SN1D	1	2350006R1
L3104	CORE	BLM18PG121SN1D	1	2350006R1
L3105	CORE	BLM18PG121SN1D	1	2350006R1
L3106	CORE	BLM18PG121SN1D	1	2350006R1
L3107	CORE	BLM18PG121SN1D	1	2350006R1
L3108	CORE	BLM18PG121SN1D	1	2350006R1
L3109	CORE	BLM18PG121SN1D	1	2350006R1
L3110	CORE	BLM18PG121SN1D	1	2350006R1
L3111	CORE	BLM18PG181SN1D	1	2350005R1
L3202	C-CARBON R	RN72K1J-000JE	1	435030004R1
L3203	CORE	MMZ1608Y601BT	1	2350004R1
L3204	EMIFIL	BK1608LM182-T	1	230958R1
L3205	CORE	BLM18PG121SN1D	1	2350006R1
L3206	CORE	BLM18PG121SN1D	1	2350006R1
L3207	CORE	MMZ1608Y601BT	1	2350004R1
L3208	CORE	MMZ1608Y601BT	1	2350004R1
L3209	CORE	MMZ1608Y601BT	1	2350004R1
L3401	C-CARBON R	RN72K1J-000JE	1	435030004R1
L3402	CORE	BLM18PG121SN1D	1	2350006R1
L3403	CORE	MMZ1608Y601BT	1	2350004R1
L3405	CORE	BLM18PG121SN1D	1	2350006R1
L3406	CORE	BLM18PG121SN1D	1	2350006R1
L3407	CORE	BLM18PG121SN1D	1	2350006R1
L3408	CORE	BLM18PG121SN1D	1	2350006R1
L3409	CORE	BLM18PG121SN1D	1	2350006R1
L3410	CORE	MMZ1608Y601BT	1	2350004R1
L3411	CORE	MMZ1608Y601BT	1	2350004R1
L3501	C-CARBON R	RN72K1J-000JE	1	435030004R1
L3502	CORE	BLM18PG121SN1D	1	2350006R1
L3503	CORE	MMZ1608Y601BT	1	2350004R1
L3505	CORE	BLM18PG121SN1D	1	2350006R1
L3506	CORE	BLM18PG121SN1D	1	2350006R1

L3507	CORE	BLM18PG121SN1D	1	2350006R1
L3508	CORE	BLM18PG121SN1D	1	2350006R1
L3509	CHOKE COIL	LBC2518T470M	1	231364M470R2
L8001	CHOKE COIL	LBC2518T2R2M	1	231364M022R2
L8002	CHOKE COIL	LBC2518T2R2M	1	231364M022R2
L8003	CHOKE COIL	LBC2518T2R2M	1	231364M022R2
L8004	CHOKE COIL	LBC2518T2R2M	1	231364M022R2
L8005	CHOKE COIL	LBC2518T2R2M	1	231364M022R2
L8006	CHOKE COIL	LBC2518T2R2M	1	231364M022R2
L8007	EMIFIL	BK1608LM182-T	1	230958R1
L8008	EMIFIL	BK1608LM182-T	1	230958R1
L8011	C-CARBON R	RN72K1J-000JE	1	435030004R1
L8012	C-CARBON R	RN72K1J-000JE	1	435030004R1
L8013	C-CARBON R	RN72K1J-000JE	1	435030004R1
L8023	CHOKE COIL	BLM21PG221SN1	1	230949R2
L8042	C-CARBON R	RN72K1J-000JE	1	435030004R1
L8161	CORE	BLM18PG181SN1D	1	2350005R1
L8162	CORE	BLM18PG181SN1D	1	2350005R1
L8163	CORE	BLM18PG181SN1D	1	2350005R1
L8361	CORE	BLM18PG181SN1D	1	2350005R1
L8362	CORE	BLM18PG181SN1D	1	2350005R1
L8363	CORE	BLM18PG181SN1D	1	2350005R1
L8401	CORE	BLM18PG181SN1D	1	2350005R1
L8402	CORE	BLM18PG181SN1D	1	2350005R1
L8403	CORE	BLM18PG181SN1D	1	2350005R1
L8404	CORE	BLM18PG181SN1D	1	2350005R1
L8405	CORE	BLM18PG181SN1D	1	2350005R1
L8406	C-R NET	MNR12E0APJ000	1	43464900002R2
L8407	C-R NET	MNR12E0APJ000	1	43464900002R2
L8408	CORE	BLM18PG181SN1D	1	2350005R1
L8409	C-R NET	MNR12E0APJ000	1	43464900002R2
L8410	C-R NET	MNR12E0APJ000	1	43464900002R2
L8450	C-R NET	MNR12E0APJ000	1	43464900002R2

L8451	CORE	BLM18PG181SN1D	1	2350005R1	
L8452	CORE	BLM18PG181SN1D	1	2350005R1	
L8453	CORE	BLM18PG181SN1D	1	2350005R1	
L8454	CORE	BLM18PG181SN1D	1	2350005R1	
L8455	CORE	BLM18PG181SN1D	1	2350005R1	
L8456	C-R NET	MNR12E0APJ000	1	43464900002R2	
L8457	C-R NET	MNR12E0APJ000	1	43464900002R2	
L8458	CORE	BLM18PG181SN1D	1	2350005R1	
L8459	C-R NET	MNR12E0APJ000	1	43464900002R2	
L8601	CORE	BLM18PG181SN1D	1	2350005R1	
L8602	CORE	BLM18PG181SN1D	1	2350005R1	
L8603	CORE	BLM18PG181SN1D	1	2350005R1	
L8604	CORE	BLM18PG181SN1D	1	2350005R1	
L8605	CORE	BLM18PG181SN1D	1	2350005R1	
L8606	CORE	BLM18PG181SN1D	1	2350005R1	
L8608	CORE	MMZ1608Y601BT	1	2350004R1	
L8641	CORE	BLM18PG181SN1D	1	2350005R1	
L8701	CORE	BLM18PG181SN1D	1	2350005R1	
L8801	CHOKE COIL	LBC2518T4R7M	1	231364M047R2	
L8802	CHOKE COIL	LBC2518T4R7M	1	231364M047R2	
L8803	CHOKE COIL	LBC2518T4R7M	1	231364M047R2	
L8804	CHOKE COIL	LBC2518T4R7M	1	231364M047R2	
L8806	CHOKE COIL	LBC2518T2R2M	1	231364M022R2	
L8851	C-CARBON R	RN72K2B-000JE	1	433220004R1	
L8852	C-CARBON R	RN72K2B-000JE	1	433220004R1	
L8853	C-CARBON R	RN72K2B-000JE	1	433220004R1	
L8854	C-CARBON R	RN72K2B-000JE	1	433220004R1	
L8855	C-CARBON R	RN72K2B-000JE	1	433220004R1	
L8856	C-CARBON R	RN72K2B-000JE	1	433220004R1	
L8951	CHOKE COIL	0182-7E08Q-100M-RA	1	231396M100R2	N
L8952	CHOKE COIL	0182-7E08Q-6R8N-RA	1	231395P068R2	N
L8953	CHOKE COIL	0182-7E08Q-6R8N-RA	1	231395P068R2	N
L8954	CHOKE COIL	0182-7E08Q-100M-RA	1	231396M100R2	N

L8955	CHOKE COIL	BLM21PG221SN1	1	230949R2	
L8956	CHOKE COIL	BLM21PG221SN1	1	230949R2	
L8957	CHOKE COIL	BLM21PG221SN1	1	230949R2	
L8958	CHOKE COIL	BLM21PG221SN1	1	230949R2	
L8959	CHOKE COIL	BLM21PG221SN1	1	230949R2	
L8960	CHOKE COIL	BLM21PG221SN1	1	230949R2	
L8961	CHOKE COIL	BLM21PG221SN1	1	230949R2	
L8962	CHOKE COIL	BLM21PG221SN1	1	230949R2	
L8963	CHOKE COIL	BLM21PG221SN1	1	230949R2	
L8964	CHOKE COIL	BLM21PG221SN1	1	230949R2	
L8965	CHOKE COIL	BLM21PG221SN1	1	230949R2	
L8966	CHOKE COIL	BLM21PG221SN1	1	230949R2	
X3001	CRYSTAL	HC-49SMD24.000MHZ	1	3010479R2	N
X3001 or	CRYSTAL	HC-49USSMD24.000MHZ	(1)	3010471R2	
X3201	CRYSTAL	HC-49/U03C 12.288MHZ	1	3010323R2	
X3202	CRYSTAL	HC-49SMD11.2896MHZ	1	3010480R2	N
X3202 or	CRYSTAL	HC-49USSMD11.2896MHZ	(1)	3010472R2	
X3401	CRYSTAL	HC-49USSMD17.734MHZ	1	3010442R2	
X8001	CRYSTAL	DSX530GAK28.6363MHZ	1	3010475R2	N
X8002	CRYSTAL	DSX530GAK27.0000MHZ	1	3010474R2	
X8701	CERA LOCK	CSTCR5M00G53-B0	1	3010356R2	
<b>[CAPACITOR]</b>					
C251	C-CERA C	CK725F1A-105Z1	1	332181050R1	
C252	C-CERA C	CK725F1A-105Z1	1	332181050R1	
C3001	C-CERA C	CK725F1A-105Z1	1	332181050R1	
C3002	C-CERA C	CK725F1A-105Z1	1	332181050R1	
C3003	C-CERA C	CK725B0J-106K	1	332091065R2	
C3004	C-CERA C	CK725B0J-106K	1	332091065R2	
C3005	C-CERA C	CK725F1A-105Z1	1	332181050R1	
C3006	C-CERA C	CC725CH1H-102J1	1	342101024R1	
C3007	C-CERA C	CK725F1A-105Z1	1	332181050R1	
C3008	C-CERA C	CC725CH1H-102J1	1	342101024R1	
C3009	C-CERA C	CK725F1A-105Z1	1	332181050R1	

C3010	C-CERA C	CK725F1A-105Z1	1	332181050R1
C3011	C-CERA C	CK725F1A-105Z1	1	332181050R1
C3012	C-CERA C	CC725CH1H-102J1	1	342101024R1
C3013	C-CERA C	CK725F1A-105Z1	1	332181050R1
C3014	C-CERA C	CC725CH1H-102J1	1	342101024R1
C3015	C-CERA C	CC725CH1H-102J1	1	342101024R1
C3016	C-CERA C	CK725F1A-105Z1	1	332181050R1
C3017	C-CERA C	CK725F1A-105Z1	1	332181050R1
C3018	C-CERA C	CK725F1A-105Z1	1	332181050R1
C3019	C-CERA C	CC725CH1H-102J1	1	342101024R1
C3020	C-CERA C	CK725F1A-105Z1	1	332181050R1
C3021	C-CERA C	CK725F1A-105Z1	1	332181050R1
C3022	C-CERA C	CK725F1A-105Z1	1	332181050R1
C3023	C-CERA C	CK725B0J-106K	1	332091065R2
C3024	C-CERA C	CC725CH1H-102J1	1	342101024R1
C3025	C-CERA C	CK725F1A-105Z1	1	332181050R1
C3026	C-CERA C	CK725B1C-104K1	1	332121045R1
C3027	C-CERA C	CC725CH1H-102J1	1	342101024R1
C3028	C-CERA C	CK725F1A-105Z1	1	332181050R1
C3029	C-CERA C	CC725CH1H-102J1	1	342101024R1
C3030	C-CERA C	CK725F1A-105Z1	1	332181050R1
C3031	C-CERA C	CK725F1A-105Z1	1	332181050R1
C3032	C-CERA C	CC725CH1H-102J1	1	342101024R1
C3033	C-CERA C	CK725F1A-105Z1	1	332181050R1
C3034	C-CERA C	CC725CH1H-120J1	1	342101204R1
C3035	C-CERA C	CC725CH1H-102J1	1	342101024R1
C3036	C-CERA C	CC725CH1H-120J1	1	342101204R1
C3037	C-CERA C	CK725F1A-105Z1	1	332181050R1
C3038	C-CERA C	CK725F1A-105Z1	1	332181050R1
C3039	C-CERA C	CK725B1H-103K1	1	332101035R1
C3040	C-CERA C	CK725F1A-105Z1	1	332181050R1
C3041	C-CERA C	CK725B0J-106K	1	332091065R2
C3042	C-CERA C	CK725F1A-105Z1	1	332181050R1

C3043	C-CERA C	CK725F1A-105Z1	1	332181050R1
C3101	CHIP ELECT C	CEWX16V-100M	1	398141017R2
C3102	CHIP ELECT C	CEWX10V-220M	1	398132217R2
C3103	C-CERA C	CC725CH1H-102J1	1	342101024R1
C3104	C-CERA C	CK725F1A-105Z1	1	332181050R1
C3105	C-CERA C	CK725F1A-105Z1	1	332181050R1
C3106	C-CERA C	CK725B0J-106K	1	332091065R2
C3107	C-CERA C	CK725F1A-105Z1	1	332181050R1
C3108	C-CERA C	CK725F1A-105Z1	1	332181050R1
C3109	C-CERA C	CK725B0J-106K	1	332091065R2
C3110	C-CERA C	CK725B1A-224K1	1	332132245R1
C3112	C-CERA C	CK725B0J-106K	1	332091065R2
C3113	C-CERA C	CK725F1A-105Z1	1	332181050R1
C3114	C-CERA C	CK725F1A-105Z1	1	332181050R1
C3115	C-CERA C	CK725B0J-106K	1	332091065R2
C3116	C-CERA C	CK725B0J-106K	1	332091065R2
C3117	C-CERA C	CC725CH1H-102J1	1	342101024R1
C3118	C-CERA C	CK725F1A-105Z1	1	332181050R1
C3119	C-CERA C	CK725F1A-105Z1	1	332181050R1
C3120	C-CERA C	CK725B0J-106K	1	332091065R2
C3121	C-CERA C	CK725F1A-105Z1	1	332181050R1
C3122	C-CERA C	CK725F1A-105Z1	1	332181050R1
C3123	CHIP ELECT C	CEWX10V-220M	1	398132217R2
C3124	C-CERA C	CK725F1A-105Z1	1	332181050R1
C3125	C-CERA C	CK725B0J-106K	1	332091065R2
C3126	C-CERA C	CK725B0J-106K	1	332091065R2
C3127	C-CERA C	CK725F1A-105Z1	1	332181050R1
C3128	C-CERA C	CK725F1A-105Z1	1	332181050R1
C3129	C-CERA C	CK725F1A-105Z1	1	332181050R1
C3130	C-CERA C	CK725B0J-106K	1	332091065R2
C3131	C-CERA C	CK725F1A-105Z1	1	332181050R1
C3132	C-CERA C	CC725CH1H-101J1	1	342101014R1
C3133	C-CERA C	CK725F1A-105Z1	1	332181050R1

C3134	C-CERA C	CK725B1C-104K1	1	332121045R1
C3135	C-CERA C	CK725B1C-104K1	1	332121045R1
C3136	C-CERA C	CK725F1A-105Z1	1	332181050R1
C3137	C-CERA C	CK725F1A-105Z1	1	332181050R1
C3138	C-CERA C	CK725F1A-105Z1	1	332181050R1
C3139	C-CERA C	CK725F1A-105Z1	1	332181050R1
C3140	C-CERA C	CK725F1A-105Z1	1	332181050R1
C3143	C-CERA C	CK725F1A-105Z1	1	332181050R1
C3144	C-CERA C	CK725F1A-105Z1	1	332181050R1
C3145	C-CERA C	CK725B0J-106K	1	332091065R2
C3146	C-CERA C	CK725F1A-105Z1	1	332181050R1
C3147	C-CERA C	CK725B0J-106K	1	332091065R2
C3148	C-CERA C	CK725B1H-223K1	1	332102235R1
C3149	C-CERA C	CK725F1A-105Z1	1	332181050R1
C3150	CHIP ELECT C	CEWX4V-22M	1	3981G2207R2
C3151	C-CERA C	CK725B1H-103K1	1	332101035R1
C3152	C-CERA C	CK725B0J-106K	1	332091065R2
C3153	C-CERA C	CK725F1A-105Z1	1	332181050R1
C3154	C-CERA C	CK725B0J-106K	1	332091065R2
C3155	C-CERA C	CK725F1A-105Z1	1	332181050R1
C3156	C-CERA C	CC725CH1H-102J1	1	342101024R1
C3157	C-CERA C	CK725F1A-105Z1	1	332181050R1
C3158	C-CERA C	CK725F1A-105Z1	1	332181050R1
C3159	C-CERA C	CK725F1A-105Z1	1	332181050R1
C3164	C-CERA C	CC725CH1H-102J1	1	342101024R1
C3165	CHIP ELECT C	CEWX10V-220M	1	398132217R2
C3166	C-CERA C	CK725F1A-105Z1	1	332181050R1
C3202	C-CERA C	CK725F1A-105Z1	1	332181050R1
C3204	C-CERA C	CK725B0J-106K	1	332091065R2
C3205	C-CERA C	CK725F1A-105Z1	1	332181050R1
C3206	C-CERA C	CK725F1A-105Z1	1	332181050R1
C3207	C-CERA C	CK725B0J-106K	1	332091065R2
C3208	C-CERA C	CK725F1A-105Z1	1	332181050R1



C3209	C-CERA C	CK725F1A-105Z1	1	332181050R1
C3210	CHIP ELECT C	CEWX16V-100M	1	398141017R2
C3211	C-CERA C	CK725B1H-222K1	1	332102225R1
C3213	C-CERA C	CK725F1A-105Z1	1	332181050R1
C3214	C-CERA C	CK725B0J-106K	1	332091065R2
C3215	CHIP ELECT C	CEWX16V-10M	1	398141007R2
C3216	C-CERA C	CC725CH1H-120J1	1	342101204R1
C3219	C-CERA C	CC725CH1H-120J1	1	342101204R1
C3220	C-CERA C	CC725CH1H-120J1	1	342101204R1
C3223	C-CERA C	CC725CH1H-120J1	1	342101204R1
C3224	C-CERA C	CK725B1H-152K1	1	332101525R1
C3225	C-CERA C	CK725B1H-152K1	1	332101525R1
C3226	C-CERA C	CK725F1A-105Z1	1	332181050R1
C3227	CHIP ELECT C	CEWX16V-10M	1	398141007R2
C3228	C-CERA C	CK725B1H-222K1	1	332102225R1
C3229	C-CERA C	CK725F1A-105Z1	1	332181050R1
C3230	C-CERA C	CK725B0J-106K	1	332091065R2
C3231	C-CERA C	CK725F1A-105Z1	1	332181050R1
C3233	CHIP ELECT C	CEWX16V-100M	1	398141017R2
C3402	C-CERA C	CK725F1A-105Z1	1	332181050R1
C3403	C-CERA C	CK725F1A-105Z1	1	332181050R1
C3404	C-CERA C	CK725F1A-105Z1	1	332181050R1
C3405	C-CERA C	CK725F1A-105Z1	1	332181050R1
C3406	C-CERA C	CK725F1A-105Z1	1	332181050R1
C3407	C-CERA C	CK725F1A-105Z1	1	332181050R1
C3408	C-CERA C	CK725F1A-105Z1	1	332181050R1
C3409	C-CERA C	CK725F1A-105Z1	1	332181050R1
C3410	C-CERA C	CK725F1A-105Z1	1	332181050R1
C3412	C-CERA C	CK725F1A-105Z1	1	332181050R1
C3413	C-CERA C	CK725F1A-105Z1	1	332181050R1
C3414	C-CERA C	CC725CH1H-102J1	1	342101024R1
C3415	C-CERA C	CK725F1A-105Z1	1	332181050R1
C3416	C-CERA C	CK725F1A-105Z1	1	332181050R1

C3417	C-CERA C	CK725F1A-105Z1	1	332181050R1
C3418	C-CERA C	CK725F1A-105Z1	1	332181050R1
C3419	C-CERA C	CK725F1A-105Z1	1	332181050R1
C3420	C-CERA C	CK725B0J-106K	1	332091065R2
C3421	C-CERA C	CK725F1A-105Z1	1	332181050R1
C3422	C-CERA C	CK725F1A-105Z1	1	332181050R1
C3423	C-CERA C	CK725F1A-105Z1	1	332181050R1
C3424	C-CERA C	CK725F1A-105Z1	1	332181050R1
C3425	C-CERA C	CK725F1A-105Z1	1	332181050R1
C3426	C-CERA C	CK725F1A-105Z1	1	332181050R1
C3427	C-CERA C	CK725F1A-105Z1	1	332181050R1
C3428	C-CERA C	CK725F1A-105Z1	1	332181050R1
C3429	C-CERA C	CK725F1A-105Z1	1	332181050R1
C3430	C-CERA C	CK725F1A-105Z1	1	332181050R1
C3431	C-CERA C	CK725F1A-105Z1	1	332181050R1
C3432	C-CERA C	CK725F1A-105Z1	1	332181050R1
C3433	C-CERA C	CK725F1A-105Z1	1	332181050R1
C3434	C-CERA C	CK725F1A-105Z1	1	332181050R1
C3435	C-CERA C	CK725F1A-105Z1	1	332181050R1
C3436	C-CERA C	CK725F1A-105Z1	1	332181050R1
C3437	C-CERA C	CK725F1A-105Z1	1	332181050R1
C3438	C-CERA C	CK725F1A-105Z1	1	332181050R1
C3439	C-CERA C	CK725F1A-105Z1	1	332181050R1
C3440	C-CERA C	CK725F1A-105Z1	1	332181050R1
C3441	C-CERA C	CK725F1A-105Z1	1	332181050R1
C3442	C-CERA C	CK725B0J-106K	1	332091065R2
C3443	C-CERA C	CK725F1A-105Z1	1	332181050R1
C3444	C-CERA C	CC725CH1H-102J1	1	342101024R1
C3445	C-CERA C	CK725F1A-105Z1	1	332181050R1
C3446	C-CERA C	CK725B0J-106K	1	332091065R2
C3447	C-CERA C	CK725B0J-106K	1	332091065R2
C3448	C-CERA C	CK725B0J-106K	1	332091065R2
C3449	C-CERA C	CK725F1A-105Z1	1	332181050R1

C3450	C-CERA C	CK725F1A-105Z1	1	332181050R1
C3451	C-CERA C	CK725F1A-105Z1	1	332181050R1
C3452	C-CERA C	CK725F1A-105Z1	1	332181050R1
C3453	CHIP ELECT C	CEWX4V-22M	1	3981G2207R2
C3454	C-CERA C	CK725B1H-103K1	1	332101035R1
C3455	C-CERA C	CK725F1A-105Z1	1	332181050R1
C3456	C-CERA C	CK725B0J-106K	1	332091065R2
C3457	C-CERA C	CK725F1A-105Z1	1	332181050R1
C3458	C-CERA C	CK725B0J-106K	1	332091065R2
C3459	C-CERA C	CK725F1A-105Z1	1	332181050R1
C3461	CHIP ELECT C	CEWX4V-220M	1	3981G2217R2
C3462	C-CERA C	CK725F1A-105Z1	1	332181050R1
C3463	C-CERA C	CC725CH1H-060D1	1	342100602R1
C3464	C-CERA C	CC725CH1H-060D1	1	342100602R1
C3502	C-CERA C	CK725F1A-105Z1	1	332181050R1
C3503	C-CERA C	CK725F1A-105Z1	1	332181050R1
C3504	C-CERA C	CK725F1A-105Z1	1	332181050R1
C3505	C-CERA C	CK725F1A-105Z1	1	332181050R1
C3506	C-CERA C	CK725F1A-105Z1	1	332181050R1
C3507	C-CERA C	CK725F1A-105Z1	1	332181050R1
C3508	C-CERA C	CK725F1A-105Z1	1	332181050R1
C3509	C-CERA C	CK725F1A-105Z1	1	332181050R1
C3510	C-CERA C	CK725F1A-105Z1	1	332181050R1
C3512	C-CERA C	CK725F1A-105Z1	1	332181050R1
C3513	C-CERA C	CK725F1A-105Z1	1	332181050R1
C3514	C-CERA C	CC725CH1H-101J1	1	342101014R1
C3515	C-CERA C	CK725F1A-105Z1	1	332181050R1
C3516	C-CERA C	CK725F1A-105Z1	1	332181050R1
C3517	C-CERA C	CK725F1A-105Z1	1	332181050R1
C3518	C-CERA C	CK725F1A-105Z1	1	332181050R1
C3519	C-CERA C	CK725F1A-105Z1	1	332181050R1
C3520	C-CERA C	CK725B0J-106K	1	332091065R2
C3521	C-CERA C	CK725F1A-105Z1	1	332181050R1

C3522	C-CERA C	CK725F1A-105Z1	1	332181050R1
C3523	C-CERA C	CK725F1A-105Z1	1	332181050R1
C3524	C-CERA C	CK725F1A-105Z1	1	332181050R1
C3525	C-CERA C	CK725F1A-105Z1	1	332181050R1
C3526	C-CERA C	CK725F1A-105Z1	1	332181050R1
C3527	C-CERA C	CK725F1A-105Z1	1	332181050R1
C3528	C-CERA C	CK725F1A-105Z1	1	332181050R1
C3529	C-CERA C	CK725F1A-105Z1	1	332181050R1
C3530	C-CERA C	CK725F1A-105Z1	1	332181050R1
C3531	C-CERA C	CK725F1A-105Z1	1	332181050R1
C3532	C-CERA C	CK725F1A-105Z1	1	332181050R1
C3533	C-CERA C	CK725F1A-105Z1	1	332181050R1
C3534	C-CERA C	CK725F1A-105Z1	1	332181050R1
C3535	C-CERA C	CK725F1A-105Z1	1	332181050R1
C3536	C-CERA C	CK725F1A-105Z1	1	332181050R1
C3537	C-CERA C	CK725F1A-105Z1	1	332181050R1
C3538	C-CERA C	CK725F1A-105Z1	1	332181050R1
C3539	C-CERA C	CK725F1A-105Z1	1	332181050R1
C3540	C-CERA C	CK725F1A-105Z1	1	332181050R1
C3541	C-CERA C	CK725F1A-105Z1	1	332181050R1
C3542	C-CERA C	CK725B0J-106K	1	332091065R2
C3543	C-CERA C	CK725F1A-105Z1	1	332181050R1
C3544	C-CERA C	CC725CH1H-102J1	1	342101024R1
C3545	C-CERA C	CK725F1A-105Z1	1	332181050R1
C3546	C-CERA C	CK725B0J-106K	1	332091065R2
C3547	C-CERA C	CK725B0J-106K	1	332091065R2
C3548	C-CERA C	CK725B0J-106K	1	332091065R2
C3549	C-CERA C	CK725F1A-105Z1	1	332181050R1
C3550	C-CERA C	CK725F1A-105Z1	1	332181050R1
C3551	C-CERA C	CK725F1A-105Z1	1	332181050R1
C3552	CHIP ELECT C	CEWX4V-22M	1	3981G2207R2
C3553	C-CERA C	CK725B1H-103K1	1	332101035R1
C3554	C-CERA C	CK725F1A-105Z1	1	332181050R1

C3555	C-CERA C	CK725B0J-106K	1	332091065R2
C3556	C-CERA C	CK725F1A-105Z1	1	332181050R1
C3603	C-CERA C	CK725B1H-102K1	1	332101025R1
C8001	C-CERA C	CK725B1H-102K1	1	332101025R1
C8002	C-CERA C	CK725B1H-102K1	1	332101025R1
C8003	C-CERA C	CK725B1C-104K1	1	332121045R1
C8004	C-CERA C	CK725B1C-104K1	1	332121045R1
C8005	C-CERA C	CK725B1C-104K1	1	332121045R1
C8006	C-CERA C	CK725B1C-104K1	1	332121045R1
C8007	C-CERA C	CK725B1C-104K1	1	332121045R1
C8008	C-CERA C	CK725B1C-104K1	1	332121045R1
C8009	C-CERA C	CK725B1C-104K1	1	332121045R1
C8010	C-CERA C	CK725B1C-104K1	1	332121045R1
C8011	C-CERA C	CK725B1C-104K1	1	332121045R1
C8012	C-CERA C	CK725B1C-104K1	1	332121045R1
C8013	C-CERA C	CK725B1C-104K1	1	332121045R1
C8014	C-CERA C	CK725B1C-104K1	1	332121045R1
C8015	CHIP ELECT C	CEWX16V-10M	1	398141007R2
C8016	C-CERA C	CK725F1E-104Z1	1	332161040R1
C8017	CHIP ELECT C	CEWX16V-10M	1	398141007R2
C8018	C-CERA C	CK725F1E-104Z1	1	332161040R1
C8019	C-CERA C	CK725B1H-103K1	1	332101035R1
C8020	C-CERA C	CK725B1H-103K1	1	332101035R1
C8021	C-CERA C	CK725F1E-104Z1	1	332161040R1
C8022	C-CERA C	CK725F1E-104Z1	1	332161040R1
C8023	CHIP ELECT C	CEWX16V-10M	1	398141007R2
C8024	CHIP ELECT C	CEWX16V-10M	1	398141007R2
C8025	C-CERA C	CK725F1E-104Z1	1	332161040R1
C8026	C-CERA C	CK725F1E-104Z1	1	332161040R1
C8027	C-CERA C	CK725F1E-104Z1	1	332161040R1
C8028	C-CERA C	CK725F1E-104Z1	1	332161040R1
C8029	C-CERA C	CK725B1H-103K1	1	332101035R1
C8030	C-CERA C	CK725F1E-104Z1	1	332161040R1

C8031	C-CERA C	CK725B1H-103K1	1	332101035R1
C8032	CHIP ELECT C	CEWX4V-100M	1	3981G1017R2
C8033	C-CERA C	CK725F1E-104Z1	1	332161040R1
C8034	C-CERA C	CK725B1H-103K1	1	332101035R1
C8035	C-CERA C	CK725F1E-104Z1	1	332161040R1
C8036	C-CERA C	CK725B1H-103K1	1	332101035R1
C8037	C-CERA C	CK725F1E-104Z1	1	332161040R1
C8038	C-CERA C	CK725B1H-103K1	1	332101035R1
C8039	C-CERA C	CK725F1E-104Z1	1	332161040R1
C8040	C-CERA C	CK725B1H-103K1	1	332101035R1
C8041	C-CERA C	CK725F1E-104Z1	1	332161040R1
C8042	C-CERA C	CK725B1H-103K1	1	332101035R1
C8043	C-CERA C	CK725F1E-104Z1	1	332161040R1
C8044	C-CERA C	CK725B1H-103K1	1	332101035R1
C8045	C-CERA C	CK725F1E-104Z1	1	332161040R1
C8046	C-CERA C	CK725B1H-103K1	1	332101035R1
C8047	C-CERA C	CK725F1E-104Z1	1	332161040R1
C8048	C-CERA C	CK725B1H-103K1	1	332101035R1
C8049	C-CERA C	CK725F1E-104Z1	1	332161040R1
C8050	C-CERA C	CK725B1H-103K1	1	332101035R1
C8051	C-CERA C	CK725F1E-104Z1	1	332161040R1
C8052	C-CERA C	CK725F1E-104Z1	1	332161040R1
C8053	C-CERA C	CK725B1H-103K1	1	332101035R1
C8054	C-CERA C	CK725B1H-103K1	1	332101035R1
C8055	C-CERA C	CK725F1E-104Z1	1	332161040R1
C8056	C-CERA C	CK725B1H-103K1	1	332101035R1
C8057	C-CERA C	CK725F1E-104Z1	1	332161040R1
C8058	C-CERA C	CK725B1H-103K1	1	332101035R1
C8060	C-CERA C	CK725F1A-105Z1	1	332181050R1
C8061	C-CERA C	CK725F1E-104Z1	1	332161040R1
C8062	C-CERA C	CK725F1E-104Z1	1	332161040R1
C8063	CHIP TANTAL	F93-6.3V-100M	1	395521017R2
C8063 or	CHIP TANTAL	TCSCS0J107MBAR	( 1)	396521017R2

C8064	C-CERA C	CK725F1E-104Z1	1	332161040R1
C8065	CHIP TANTAL	F93-6.3V-100M	1	395521017R2
C8065 or	CHIP TANTAL	TCSCS0J107MBAR	(1)	396521017R2
C8066	C-CERA C	CK725F1E-104Z1	1	332161040R1
C8069	CHIP TANTAL	F93-6.3V-100M	1	395521017R2
C8069 or	CHIP TANTAL	TCSCS0J107MBAR	(1)	396521017R2
C8070	C-CERA C	CK725F1E-104Z1	1	332161040R1
C8071	CHIP TANTAL	F93-6.3V-100M	1	395521017R2
C8071 or	CHIP TANTAL	TCSCS0J107MBAR	(1)	396521017R2
C8072	C-CERA C	CK725F1E-104Z1	1	332161040R1
C8075	C-CERA C	CK725F1E-104Z1	1	332161040R1
C8076	C-CERA C	CK725F1E-104Z1	1	332161040R1
C8077	C-CERA C	CK725F1E-104Z1	1	332161040R1
C8078	C-CERA C	CK725F1E-104Z1	1	332161040R1
C8079	C-CERA C	CK725F1E-104Z1	1	332161040R1
C8080	C-CERA C	CK725F1E-104Z1	1	332161040R1
C8081	C-CERA C	CK725F1E-104Z1	1	332161040R1
C8082	C-CERA C	CK725F1E-104Z1	1	332161040R1
C8083	C-CERA C	CK725F1E-104Z1	1	332161040R1
C8084	C-CERA C	CK725F1E-104Z1	1	332161040R1
C8085	C-CERA C	CK725F1E-104Z1	1	332161040R1
C8086	C-CERA C	CK725F1E-104Z1	1	332161040R1
C8087	C-CERA C	CK725F1A-105Z1	1	332181050R1
C8088	C-CERA C	CK725F1A-105Z1	1	332181050R1
C8089	C-CERA C	CK725F1A-105Z1	1	332181050R1
C8090	C-CERA C	CK725F1A-105Z1	1	332181050R1
C8091	C-CERA C	CK725F1A-105Z1	1	332181050R1
C8092	C-CERA C	CK725F1A-105Z1	1	332181050R1
C8093	C-CERA C	CK725F1A-105Z1	1	332181050R1
C8094	C-CERA C	CK725F1A-105Z1	1	332181050R1
C8095	C-CERA C	CK725F1E-104Z1	1	332161040R1
C8096	C-CERA C	CK725F1E-104Z1	1	332161040R1
C8097	C-CERA C	CK725F1E-104Z1	1	332161040R1

C8098	C-CERA C	CK725F1E-104Z1	1	332161040R1
C8099	C-CERA C	CK725F1E-104Z1	1	332161040R1
C8100	C-CERA C	CC725CH1H-080D1	1	342100802R1
C8101	C-CERA C	CC725CH1H-080D1	1	342100802R1
C8102	C-CERA C	CK725B1C-823K1	1	332128235R1
C8103	C-CERA C	CK725B1H-103K1	1	332101035R1
C8104	C-CERA C	CK725B1A-105K1	1	332131055R1
C8105	C-CERA C	CK725B1H-393K1	1	332103935R1
C8106	C-CERA C	CK725F1E-104Z1	1	332161040R1
C8107	C-CERA C	CK725B1H-103K1	1	332101035R1
C8108	C-CERA C	CK725F1E-104Z1	1	332161040R1
C8109	C-CERA C	CK725B1H-103K1	1	332101035R1
C8110	C-CERA C	CK725F1E-104Z1	1	332161040R1
C8111	C-CERA C	CK725B1H-103K1	1	332101035R1
C8121	C-CERA C	CK725F1E-104Z1	1	332161040R1
C8122	C-CERA C	CK725F1E-104Z1	1	332161040R1
C8123	C-CERA C	CK725F1E-104Z1	1	332161040R1
C8124	C-CERA C	CK725F1E-104Z1	1	332161040R1
C8125	C-CERA C	CK725F1E-104Z1	1	332161040R1
C8126	C-CERA C	CK725F1E-104Z1	1	332161040R1
C8127	C-CERA C	CK725F1E-104Z1	1	332161040R1
C8142	C-CARBON R	RN72K1J-000JE	1	435030004R1
C8143	C-CERA C	CK725F1A-105Z1	1	332181050R1
C8144	CHIP ELECT C	CEWX4V-100M	1	3981G1017R2
C8145	C-CERA C	CK725F1E-104Z1	1	332161040R1
C8146	C-CERA C	CK725F1E-104Z1	1	332161040R1
C8147	CHIP TANTAL	F93-16V-10M	1	395541007R2
C8147 or	CHIP TANTAL	TCSCS1C106MAAR	(1)	396541007R2
C8148	CHIP ELECT C	CEWX4V-100M	1	3981G1017R2
C8161	C-CERA C	CK725F1A-105Z1	1	332181050R1
C8162	CHIP ELECT C	CEWX4V-100M	1	3981G1017R2
C8163	C-CERA C	CK725B1H-102K1	1	332101025R1
C8164	C-CERA C	CK725B0J-106K	1	332091065R2



C8165	C-CERA C	CK725F1E-104Z1	1	332161040R1
C8166	C-CERA C	CK725B0J-106K	1	332091065R2
C8167	C-CERA C	CK725F1E-104Z1	1	332161040R1
C8168	C-CERA C	CK725B0J-106K	1	332091065R2
C8169	C-CERA C	CK725F1E-104Z1	1	332161040R1
C8170	C-CERA C	CK725F1E-104Z1	1	332161040R1
C8171	C-CERA C	CK725F1E-104Z1	1	332161040R1
C8172	C-CERA C	CK725F1E-104Z1	1	332161040R1
C8173	C-CERA C	CK725F1E-104Z1	1	332161040R1
C8174	C-CERA C	CK725F1E-104Z1	1	332161040R1
C8175	C-CERA C	CK725F1E-104Z1	1	332161040R1
C8176	C-CERA C	CK725F1E-104Z1	1	332161040R1
C8177	C-CERA C	CK725F1E-104Z1	1	332161040R1
C8178	C-CERA C	CK725F1E-104Z1	1	332161040R1
C8179	C-CERA C	CK725F1E-104Z1	1	332161040R1
C8180	C-CERA C	CK725F1E-104Z1	1	332161040R1
C8181	C-CERA C	CK725F1E-104Z1	1	332161040R1
C8200	C-CERA C	CK725F1E-104Z1	1	332161040R1
C8201	C-CERA C	CK725F1E-104Z1	1	332161040R1
C8202	C-CERA C	CK725F1E-104Z1	1	332161040R1
C8203	CHIP TANTAL	F93-16V-10M	1	395541007R2
C8203 or	CHIP TANTAL	TCSCS1C106MAAR	(1)	396541007R2
C8204	C-CERA C	CK725F1E-104Z1	1	332161040R1
C8205	C-CERA C	CK725F1E-104Z1	1	332161040R1
C8206	C-CERA C	CK725F1E-104Z1	1	332161040R1
C8207	C-CERA C	CK725F1E-104Z1	1	332161040R1
C8208	C-CERA C	CK725F1E-104Z1	1	332161040R1
C8209	C-CERA C	CK725F1E-104Z1	1	332161040R1
C8210	C-CERA C	CK725F1E-104Z1	1	332161040R1
C8211	C-CERA C	CK725F1E-104Z1	1	332161040R1
C8212	C-CERA C	CK725F1E-104Z1	1	332161040R1
C8213	C-CERA C	CK725F1E-104Z1	1	332161040R1
C8214	C-CERA C	CK725F1E-104Z1	1	332161040R1

C8215	CHIP TANTAL	F93-16V-10M	1	395541007R2
C8215 or	CHIP TANTAL	TCSCS1C106MAAR	(1)	396541007R2
C8216	C-CERA C	CK725F1A-105Z1	1	332181050R1
C8217	C-CERA C	CK725F1A-105Z1	1	332181050R1
C8218	C-CERA C	CK725F1A-105Z1	1	332181050R1
C8219	C-CERA C	CK725F1A-105Z1	1	332181050R1
C8220	C-CERA C	CK725F1A-105Z1	1	332181050R1
C8221	C-CERA C	CK725F1A-105Z1	1	332181050R1
C8222	C-CERA C	CK725F1E-104Z1	1	332161040R1
C8223	CHIP TANTAL	F93-16V-10M	1	395541007R2
C8223 or	CHIP TANTAL	TCSCS1C106MAAR	(1)	396541007R2
C8224	C-CERA C	CK725F1E-104Z1	1	332161040R1
C8225	C-CERA C	CK725F1E-104Z1	1	332161040R1
C8226	C-CERA C	CK725F1E-104Z1	1	332161040R1
C8227	C-CERA C	CK725F1E-104Z1	1	332161040R1
C8228	C-CERA C	CK725F1E-104Z1	1	332161040R1
C8229	C-CERA C	CK725F1E-104Z1	1	332161040R1
C8230	C-CERA C	CK725F1E-104Z1	1	332161040R1
C8231	C-CERA C	CK725F1E-104Z1	1	332161040R1
C8232	C-CERA C	CK725F1E-104Z1	1	332161040R1
C8233	C-CERA C	CK725F1E-104Z1	1	332161040R1
C8234	CHIP TANTAL	F93-16V-10M	1	395541007R2
C8234 or	CHIP TANTAL	TCSCS1C106MAAR	(1)	396541007R2
C8235	C-CERA C	CK725F1E-104Z1	1	332161040R1
C8236	C-CERA C	CK725F1E-104Z1	1	332161040R1
C8237	C-CERA C	CK725F1E-104Z1	1	332161040R1
C8238	C-CERA C	CK725F1E-104Z1	1	332161040R1
C8239	C-CERA C	CK725F1E-104Z1	1	332161040R1
C8240	C-CERA C	CK725F1E-104Z1	1	332161040R1
C8241	C-CERA C	CK725F1E-104Z1	1	332161040R1
C8242	CHIP TANTAL	F93-16V-10M	1	395541007R2
C8242 or	CHIP TANTAL	TCSCS1C106MAAR	(1)	396541007R2
C8243	C-CERA C	CK725F1E-104Z1	1	332161040R1

C8244	C-CERA C	CK725F1E-104Z1	1	332161040R1
C8245	C-CERA C	CK725F1E-104Z1	1	332161040R1
C8246	C-CERA C	CK725F1E-104Z1	1	332161040R1
C8247	C-CERA C	CK725F1E-104Z1	1	332161040R1
C8248	C-CERA C	CK725F1E-104Z1	1	332161040R1
C8249	C-CERA C	CK725F1E-104Z1	1	332161040R1
C8250	C-CERA C	CK725F1E-104Z1	1	332161040R1
C8251	C-CERA C	CK725F1E-104Z1	1	332161040R1
C8252	C-CERA C	CK725F1E-104Z1	1	332161040R1
C8253	CHIP TANTAL	F93-16V-10M	1	395541007R2
C8253 or	CHIP TANTAL	TCSCS1C106MAAR	(1)	396541007R2
C8254	C-CERA C	CK725F1E-104Z1	1	332161040R1
C8255	C-CERA C	CK725F1E-104Z1	1	332161040R1
C8256	C-CERA C	CK725F1E-104Z1	1	332161040R1
C8257	C-CERA C	CK725F1E-104Z1	1	332161040R1
C8258	C-CERA C	CK725F1E-104Z1	1	332161040R1
C8259	C-CERA C	CK725F1E-104Z1	1	332161040R1
C8260	C-CERA C	CK725F1A-105Z1	1	332181050R1
C8261	CHIP TANTAL	F93-10V-220M	1	395532217R2
C8261 or	CHIP TANTAL	TCSCS1A227MDAR	(1)	396532217R2
C8262	C-CERA C	CK725F1E-104Z1	1	332161040R1
C8263	C-CERA C	CK725F1E-104Z1	1	332161040R1
C8264	C-CERA C	CK725F1E-104Z1	1	332161040R1
C8265	C-CERA C	CK725F1E-104Z1	1	332161040R1
C8266	C-CERA C	CK725F1E-104Z1	1	332161040R1
C8267	C-CERA C	CK725F1E-104Z1	1	332161040R1
C8268	C-CERA C	CK725F1E-104Z1	1	332161040R1
C8269	C-CERA C	CK725F1E-104Z1	1	332161040R1
C8270	C-CERA C	CK725F1E-104Z1	1	332161040R1
C8271	C-CERA C	CK725F1E-104Z1	1	332161040R1
C8272	C-CERA C	CK725F1E-104Z1	1	332161040R1
C8273	C-CERA C	CK725F1E-104Z1	1	332161040R1
C8274	CHIP TANTAL	F93-16V-10M	1	395541007R2

C8274 or	CHIP TANTAL	TCSCS1C106MAAR	( 1)	396541007R2
C8275	C-CERA C	CK725F1A-105Z1	1	332181050R1
C8276	C-CERA C	CK725F1A-105Z1	1	332181050R1
C8277	C-CERA C	CK725F1A-105Z1	1	332181050R1
C8278	C-CERA C	CK725F1A-105Z1	1	332181050R1
C8279	C-CERA C	CK725F1A-105Z1	1	332181050R1
C8280	C-CERA C	CK725F1A-105Z1	1	332181050R1
C8281	C-CERA C	CK725F1A-105Z1	1	332181050R1
C8282	C-CERA C	CK725F1E-104Z1	1	332161040R1
C8283	C-CERA C	CK725F1E-104Z1	1	332161040R1
C8284	C-CERA C	CK725F1E-104Z1	1	332161040R1
C8285	C-CERA C	CK725F1E-104Z1	1	332161040R1
C8286	C-CERA C	CK725F1E-104Z1	1	332161040R1
C8287	C-CERA C	CK725F1E-104Z1	1	332161040R1
C8288	C-CERA C	CK725F1E-104Z1	1	332161040R1
C8289	C-CERA C	CK725F1E-104Z1	1	332161040R1
C8290	C-CERA C	CK725F1E-104Z1	1	332161040R1
C8291	C-CERA C	CK725F1E-104Z1	1	332161040R1
C8292	C-CERA C	CK725F1E-104Z1	1	332161040R1
C8293	C-CERA C	CK725F1E-104Z1	1	332161040R1
C8294	C-CERA C	CK725F1E-104Z1	1	332161040R1
C8295	C-CERA C	CK725F1E-104Z1	1	332161040R1
C8301	C-CARBON R	RN72K1J-000JE	1	435030004R1
C8302	C-CARBON R	RN72K1J-000JE	1	435030004R1
C8303	C-CERA C	CK725B1H-223K1	1	332102235R1
C8321	C-CARBON R	RN72K1J-000JE	1	435030004R1
C8322	C-CARBON R	RN72K1J-000JE	1	435030004R1
C8326	C-CERA C	CK725F1E-104Z1	1	332161040R1
C8327	C-CERA C	CK725F1A-105Z1	1	332181050R1
C8328	CHIP ELECT C	CEWX16V-22M	1	398142207R2
C8329	C-CERA C	CK725F1A-105Z1	1	332181050R1
C8330	C-CERA C	CK725F1A-105Z1	1	332181050R1
C8332	C-CERA C	CK725F1E-104Z1	1	332161040R1

C8341	C-CARBON R	RN72K1J-000JE	1	435030004R1
C8342	C-CARBON R	RN72K1J-000JE	1	435030004R1
C8348	C-CARBON R	RN72K1J-000JE	1	435030004R1
C8349	C-CARBON R	RN72K1J-000JE	1	435030004R1
C8356	C-CERA C	CK725F1E-104Z1	1	332161040R1
C8357	C-CERA C	CK725F1A-105Z1	1	332181050R1
C8358	CHIP ELECT C	CEWX16V-22M	1	398142207R2
C8359	C-CERA C	CK725F1A-105Z1	1	332181050R1
C8362	C-CERA C	CK725F1E-104Z1	1	332161040R1
C8363	C-CERA C	CK725B1H-102K1	1	332101025R1
C8364	C-CERA C	CK725B0J-106K	1	332091065R2
C8365	C-CERA C	CK725F1E-104Z1	1	332161040R1
C8366	C-CERA C	CK725B0J-106K	1	332091065R2
C8367	C-CERA C	CK725F1E-104Z1	1	332161040R1
C8368	C-CERA C	CK725B0J-106K	1	332091065R2
C8369	C-CERA C	CK725F1E-104Z1	1	332161040R1
C8370	C-CERA C	CK725F1E-104Z1	1	332161040R1
C8371	C-CERA C	CK725F1E-104Z1	1	332161040R1
C8372	C-CERA C	CK725F1E-104Z1	1	332161040R1
C8373	C-CERA C	CK725F1E-104Z1	1	332161040R1
C8374	C-CERA C	CK725F1E-104Z1	1	332161040R1
C8375	C-CERA C	CK725F1E-104Z1	1	332161040R1
C8376	C-CERA C	CK725F1E-104Z1	1	332161040R1
C8377	C-CERA C	CK725F1E-104Z1	1	332161040R1
C8378	C-CERA C	CK725F1E-104Z1	1	332161040R1
C8379	C-CERA C	CK725F1E-104Z1	1	332161040R1
C8380	C-CERA C	CK725F1E-104Z1	1	332161040R1
C8381	C-CERA C	CK725F1E-104Z1	1	332161040R1
C8390	C-CERA C	CK725F1A-105Z1	1	332181050R1
C8398	C-CARBON R	RN72K1J-000JE	1	435030004R1
C8399	C-CARBON R	RN72K1J-000JE	1	435030004R1
C8401	CHIP ELECT C	CEWX4V-22M	1	3981G2207R2
C8402	CHIP ELECT C	CEWX4V-22M	1	3981G2207R2

C8403	C-CERA C	CK725F1A-105Z1	1	332181050R1
C8404	C-CERA C	CK725B1H-102K1	1	332101025R1
C8405	C-CERA C	CK725F1A-105Z1	1	332181050R1
C8406	C-CERA C	CK725B1H-102K1	1	332101025R1
C8408	CHIP ELECT C	CEWX4V-22M	1	3981G2207R2
C8409	CHIP ELECT C	CEWX4V-22M	1	3981G2207R2
C8410	C-CERA C	CK725F1A-105Z1	1	332181050R1
C8411	C-CERA C	CK725B1H-102K1	1	332101025R1
C8412	C-CERA C	CK725F1A-105Z1	1	332181050R1
C8413	C-CERA C	CK725B1H-102K1	1	332101025R1
C8414	C-CERA C	CK725F1A-105Z1	1	332181050R1
C8415	C-CERA C	CK725B1H-102K1	1	332101025R1
C8416	C-CERA C	CK725B1H-102K1	1	332101025R1
C8417	C-CERA C	CK725F1A-105Z1	1	332181050R1
C8418	CHIP ELECT C	CEWX4V-22M	1	3981G2207R2
C8419	C-CERA C	CK725B1H-102K1	1	332101025R1
C8420	C-CERA C	CK725F1A-105Z1	1	332181050R1
C8421	C-CERA C	CK725B1H-102K1	1	332101025R1
C8422	C-CERA C	CK725F1A-105Z1	1	332181050R1
C8423	C-CERA C	CK725B1H-102K1	1	332101025R1
C8424	C-CERA C	CK725F1A-105Z1	1	332181050R1
C8425	C-CERA C	CK725B1H-102K1	1	332101025R1
C8426	C-CERA C	CK725F1A-105Z1	1	332181050R1
C8427	C-CERA C	CK725B1H-102K1	1	332101025R1
C8428	C-CERA C	CK725F1A-105Z1	1	332181050R1
C8429	C-CERA C	CK725B1H-102K1	1	332101025R1
C8430	C-CERA C	CK725F1A-105Z1	1	332181050R1
C8431	C-CERA C	CK725B1H-102K1	1	332101025R1
C8432	C-CERA C	CK725F1A-105Z1	1	332181050R1
C8433	C-CERA C	CK725B1H-102K1	1	332101025R1
C8434	C-CERA C	CK725F1A-105Z1	1	332181050R1
C8435	C-CERA C	CK725F1A-105Z1	1	332181050R1
C8436	C-CERA C	CK725F1A-105Z1	1	332181050R1

C8437	CHIP ELECT C	CEWX4V-22M	1	3981G2207R2
C8438	C-CERA C	CK725B1H-102K1	1	332101025R1
C8439	C-CERA C	CK725F1A-105Z1	1	332181050R1
C8440	C-CERA C	CK725B0J-106K	1	332091065R2
C8451	CHIP ELECT C	CEWX4V-22M	1	3981G2207R2
C8452	CHIP ELECT C	CEWX4V-22M	1	3981G2207R2
C8453	C-CERA C	CK725F1A-105Z1	1	332181050R1
C8454	C-CERA C	CK725B1H-102K1	1	332101025R1
C8455	C-CERA C	CK725F1A-105Z1	1	332181050R1
C8456	C-CERA C	CK725B1H-102K1	1	332101025R1
C8458	CHIP ELECT C	CEWX4V-22M	1	3981G2207R2
C8459	CHIP ELECT C	CEWX4V-22M	1	3981G2207R2
C8460	C-CERA C	CK725F1A-105Z1	1	332181050R1
C8461	C-CERA C	CK725B1H-102K1	1	332101025R1
C8462	C-CERA C	CK725F1A-105Z1	1	332181050R1
C8463	C-CERA C	CK725B1H-102K1	1	332101025R1
C8464	C-CERA C	CK725F1A-105Z1	1	332181050R1
C8465	C-CERA C	CK725B1H-102K1	1	332101025R1
C8466	C-CERA C	CK725B1H-102K1	1	332101025R1
C8467	C-CERA C	CK725F1A-105Z1	1	332181050R1
C8468	CHIP ELECT C	CEWX4V-22M	1	3981G2207R2
C8469	C-CERA C	CK725B1H-102K1	1	332101025R1
C8470	C-CERA C	CK725F1A-105Z1	1	332181050R1
C8471	C-CERA C	CK725B1H-102K1	1	332101025R1
C8472	C-CERA C	CK725F1A-105Z1	1	332181050R1
C8473	C-CERA C	CK725B1H-102K1	1	332101025R1
C8474	C-CERA C	CK725F1A-105Z1	1	332181050R1
C8475	C-CERA C	CK725B1H-102K1	1	332101025R1
C8476	C-CERA C	CK725F1A-105Z1	1	332181050R1
C8477	C-CERA C	CK725B1H-102K1	1	332101025R1
C8478	C-CERA C	CK725F1A-105Z1	1	332181050R1
C8479	C-CERA C	CK725B1H-102K1	1	332101025R1
C8480	C-CERA C	CK725F1A-105Z1	1	332181050R1

C8481	C-CERA C	CK725B1H-102K1	1	332101025R1
C8482	C-CERA C	CK725F1A-105Z1	1	332181050R1
C8483	C-CERA C	CK725B1H-102K1	1	332101025R1
C8484	C-CERA C	CK725F1A-105Z1	1	332181050R1
C8485	C-CERA C	CK725F1A-105Z1	1	332181050R1
C8486	C-CERA C	CK725F1A-105Z1	1	332181050R1
C8487	CHIP ELECT C	CEWX4V-22M	1	3981G2207R2
C8488	C-CERA C	CK725B1H-102K1	1	332101025R1
C8489	C-CERA C	CK725F1A-105Z1	1	332181050R1
C8490	C-CERA C	CK725B0J-106K	1	332091065R2
C8501	C-CERA C	CK725B1H-102K1	1	332101025R1
C8502	C-CERA C	CK725B0J-106K	1	332091065R2
C8503	C-CERA C	CK725F1A-105Z1	1	332181050R1
C8504	C-CERA C	CK725B1H-102K1	1	332101025R1
C8505	C-CERA C	CK725F1A-105Z1	1	332181050R1
C8506	C-CERA C	CK725B0J-106K	1	332091065R2
C8507	C-CERA C	CK725B1H-102K1	1	332101025R1
C8508	C-CERA C	CK725F1A-105Z1	1	332181050R1
C8509	C-CERA C	CK725B1H-102K1	1	332101025R1
C8510	C-CERA C	CK725F1A-105Z1	1	332181050R1
C8511	C-CERA C	CK725B1H-102K1	1	332101025R1
C8512	C-CERA C	CK725F1A-105Z1	1	332181050R1
C8513	C-CERA C	CK725B1H-102K1	1	332101025R1
C8514	C-CERA C	CK725F1A-105Z1	1	332181050R1
C8515	C-CERA C	CK725B1H-102K1	1	332101025R1
C8516	C-CERA C	CK725F1A-105Z1	1	332181050R1
C8517	C-CERA C	CK725B1H-102K1	1	332101025R1
C8518	C-CERA C	CK725F1A-105Z1	1	332181050R1
C8519	C-CERA C	CK725F1A-105Z1	1	332181050R1
C8521	C-CERA C	CK725F1E-104Z1	1	332161040R1
C8522	C-CERA C	CK725B0J-106K	1	332091065R2
C8525	C-CERA C	CK725B0J-106K	1	332091065R2
C8527	C-CERA C	CK725B1H-102K1	1	332101025R1



C8529	C-CERA C	CK725B0J-106K	1	332091065R2
C8530	C-CERA C	CK725F1A-105Z1	1	332181050R1
C8531	C-CERA C	CK725B1H-102K1	1	332101025R1
C8532	C-CERA C	CK725F1A-105Z1	1	332181050R1
C8533	C-CERA C	CK725B1H-102K1	1	332101025R1
C8534	C-CERA C	CK725F1A-105Z1	1	332181050R1
C8535	C-CERA C	CK725B1H-102K1	1	332101025R1
C8536	C-CERA C	CK725F1A-105Z1	1	332181050R1
C8537	C-CERA C	CK725B1H-102K1	1	332101025R1
C8538	C-CERA C	CK725F1A-105Z1	1	332181050R1
C8539	C-CERA C	CK725B1H-102K1	1	332101025R1
C8540	C-CERA C	CK725F1A-105Z1	1	332181050R1
C8548	C-CERA C	CK725F1A-105Z1	1	332181050R1
C8549	C-CERA C	CK725B1H-102K1	1	332101025R1
C8550	C-CERA C	CK725F1A-105Z1	1	332181050R1
C8551	C-CERA C	CK725B1H-102K1	1	332101025R1
C8552	C-CERA C	CK725F1A-105Z1	1	332181050R1
C8553	C-CERA C	CK725B1H-102K1	1	332101025R1
C8554	C-CERA C	CK725F1A-105Z1	1	332181050R1
C8555	C-CERA C	CK725B1H-102K1	1	332101025R1
C8556	C-CERA C	CK725F1A-105Z1	1	332181050R1
C8557	C-CERA C	CK725B1H-102K1	1	332101025R1
C8558	C-CERA C	CK725F1A-105Z1	1	332181050R1
C8559	C-CERA C	CK725B1H-102K1	1	332101025R1
C8560	C-CERA C	CK725B0J-106K	1	332091065R2
C8563	C-CERA C	CK725F1A-105Z1	1	332181050R1
C8564	C-CERA C	CK725B0J-106K	1	332091065R2
C8565	C-CERA C	CK725B0J-106K	1	332091065R2
C8566	C-CERA C	CK725B1H-102K1	1	332101025R1
C8567	C-CERA C	CK725F1A-105Z1	1	332181050R1
C8573	C-CERA C	CK725F1A-105Z1	1	332181050R1
C8584	C-CERA C	CK725B0J-106K	1	332091065R2
C8585	C-CERA C	CK725B0J-106K	1	332091065R2

C8605	C-CARBON R	RN72K1J-000JE	1	435030004R1
C8608	C-CERA C	CK725F1A-105Z1	1	332181050R1
C8609	C-CERA C	CK725B0J-106K	1	332091065R2
C8611	C-CARBON R	RN72K1J-000JE	1	435030004R1
C8612	C-CARBON R	RN72K1J-000JE	1	435030004R1
C8621	C-CARBON R	RN72K1J-000JE	1	435030004R1
C8622	C-CARBON R	RN72K1J-000JE	1	435030004R1
C8631	C-CARBON R	RN72K1J-000JE	1	435030004R1
C8632	C-CARBON R	RN72K1J-000JE	1	435030004R1
C8675	CHIP ELECT C	CEWX4V-100M	1	3981G1017R2
C8676	C-CERA C	CK725F1A-105Z1	1	332181050R1
C8685	C-CERA C	CK725F1E-104Z1	1	332161040R1
C8701	C-CERA C	CK725F1A-105Z1	1	332181050R1
C8702	C-CERA C	CK725F1A-105Z1	1	332181050R1
C8703	C-CERA C	CK725F1A-105Z1	1	332181050R1
C8704	CHIP ELECT C	CEWX50V-4.7M	1	398180477R2
C8705	C-CERA C	CK725F1A-105Z1	1	332181050R1
C8706	C-CERA C	CK725F1A-105Z1	1	332181050R1
C8707	C-CERA C	CK725F1A-105Z1	1	332181050R1
C8708	C-CERA C	CK725F1A-105Z1	1	332181050R1
C8709	CHIP ELECT C	CEWX4V-220M	1	3981G2217R2
C8710	C-CERA C	CK725F1A-105Z1	1	332181050R1
C8801	C-CERA C	CK725F1A-105Z1	1	332181050R1
C8802	CHIP ELECT C	CEWX4V-220M	1	3981G2217R2
C8803	CHIP ELECT C	CEWX4V-220M	1	3981G2217R2
C8804	CHIP ELECT C	CEWX4V-220M	1	3981G2217R2
C8805	CHIP ELECT C	CEWX4V-220M	1	3981G2217R2
C8810	C-CERA C	CK725F1A-105Z1	1	332181050R1
C8811	C-CERA C	CK725F1A-105Z1	1	332181050R1
C8812	C-CERA C	CK725B1A-154K1	1	332131545R1
C8813	C-CERA C	CK725B1H-153K1	1	332101535R1
C8814	C-CERA C	CK725F1A-105Z1	1	332181050R1
C8815	C-CERA C	CK725B1A-154K1	1	332131545R1

C8816	C-CERA C	CK725B1H-153K1	1	332101535R1
C8817	C-CERA C	CK725B1H-222K1	1	332102225R1
C8818	C-CERA C	CK725F1A-105Z1	1	332181050R1
C8819	C-CERA C	CK725B1H-222K1	1	332102225R1
C8820	C-CERA C	CK725F1A-105Z1	1	332181050R1
C8821	C-CERA C	CK725F1A-105Z1	1	332181050R1
C8822	C-CERA C	CK725F1A-105Z1	1	332181050R1
C8823	C-CERA C	CK725F1A-105Z1	1	332181050R1
C8825	C-CERA C	CK725B0J-225K	1	332092255R1
C8826	CHIP ELECT C	CEWX4V-100M	1	3981G1017R2
C8838	C-CERA C	CC725CH1H-470J1	1	342104704R1
C8839	C-CERA C	CC725CH1H-470J1	1	342104704R1
C8840	C-CERA C	CC725CH1H-470J1	1	342104704R1
C8855	C-CERA C	CK725F1E-104Z1	1	332161040R1
C8856	C-CERA C	CK725F1E-104Z1	1	332161040R1
C8857	C-CERA C	CK725F1E-104Z1	1	332161040R1
C8858	C-CERA C	CK725F1E-104Z1	1	332161040R1
C8859	C-CERA C	CK725F1E-104Z1	1	332161040R1
C8860	C-CERA C	CK725F1E-104Z1	1	332161040R1
C8861	C-CERA C	CK725F1E-104Z1	1	332161040R1
C8862	C-CERA C	CK725F1E-104Z1	1	332161040R1
C8863	C-CERA C	CK725F1E-104Z1	1	332161040R1
C8864	C-CERA C	CK725F1E-104Z1	1	332161040R1
C8865	C-CERA C	CK725F1E-104Z1	1	332161040R1
C8866	C-CERA C	CK725F1E-104Z1	1	332161040R1
C8867	C-CERA C	CK725F1E-104Z1	1	332161040R1
C8868	C-CERA C	CK725F1E-104Z1	1	332161040R1
C8869	C-CERA C	CK725F1E-104Z1	1	332161040R1
C8870	C-CERA C	CK725F1E-104Z1	1	332161040R1
C8871	C-CERA C	CK725F1E-104Z1	1	332161040R1
C8872	C-CERA C	CK725F1E-104Z1	1	332161040R1
C8873	C-CERA C	CK725F1E-104Z1	1	332161040R1
C8874	C-CERA C	CK725F1E-104Z1	1	332161040R1

C8875	C-CERA C	CK725F1E-104Z1	1	332161040R1
C8876	C-CERA C	CK725F1E-104Z1	1	332161040R1
C8877	C-CERA C	CK725F1E-104Z1	1	332161040R1
C8878	C-CERA C	CK725F1E-104Z1	1	332161040R1
C8879	C-CERA C	CK725F1E-104Z1	1	332161040R1
C8880	C-CERA C	CK725F1E-104Z1	1	332161040R1
C8881	C-CERA C	CK725F1E-104Z1	1	332161040R1
C8882	C-CERA C	CK725F1E-104Z1	1	332161040R1
C8883	C-CERA C	CK725F1E-104Z1	1	332161040R1
C8884	C-CERA C	CK725F1E-104Z1	1	332161040R1
C8885	C-CERA C	CK725F1E-104Z1	1	332161040R1
C8886	C-CERA C	CK725F1E-104Z1	1	332161040R1
C8887	C-CERA C	CK725F1E-104Z1	1	332161040R1
C8888	C-CERA C	CK725F1E-104Z1	1	332161040R1
C8889	C-CERA C	CK725F1E-104Z1	1	332161040R1
C8890	C-CERA C	CK725F1E-104Z1	1	332161040R1
C8891	C-CERA C	CK725F1E-104Z1	1	332161040R1
C8892	C-CERA C	CK725F1E-104Z1	1	332161040R1
C8893	C-CERA C	CK725F1E-104Z1	1	332161040R1
C8894	C-CERA C	CK725F1E-104Z1	1	332161040R1
C8921	CHIP TANTAL	F93-10V-220M	1	395532217R2
C8921 or	CHIP TANTAL	TCSCS1A227MDAR	(1)	396532217R2
C8922	C-CERA C	CK725F1E-104Z1	1	332161040R1
C8923	C-CERA C	CK725F1E-104Z1	1	332161040R1
C8924	C-CERA C	CC725CH1H-090D1	1	342100902R1
C8925	C-CERA C	CC725CH1H-090D1	1	342100902R1
C8926	CHIP TANTAL	F93-10V-47M	1	395534707R2
C8926 or	CHIP TANTAL	TCSCS1A476MBAR	(1)	396534707R2
C8927	C-CERA C	CK725F1E-104Z1	1	332161040R1
C8928	C-CERA C	CC725CH1H-101J1	1	342101014R1
C8951	C-CERA C	CK725B1C-104K1	1	332121045R1
C8952	C-CERA C	CK725F1A-105Z1	1	332181050R1
C8953	CD C	UCD1E221MNL1GS	1	396652217R2

C8954	C-CERA C	CK725B1H-103K1	1	332101035R1
C8955	C-CERA C	CK725B1H-332K1	1	332103325R1
C8956	C-CERA C	CK725F1A-105Z1	1	332181050R1
C8957	CD C	UCD1A471MNL1GS	1	396634717R2
C8958	C-CERA C	CK725F1A-105Z1	1	332181050R1
C8961	C-CERA C	CK725B1A-224K1	1	332132245R1
C8962	C-CERA C	CK725F1A-105Z1	1	332181050R1
C8963	CD C	UCD1E221MNL1GS	1	396652217R2
C8964	C-CERA C	CK725B1H-332K1	1	332103325R1
C8965	C-CERA C	CK725B1H-332K1	1	332103325R1
C8966	C-CERA C	CK725F1A-105Z1	1	332181050R1
C8967	CD C	UCD1A471MNL1GS	1	396634717R2
C8968	C-CERA C	CK725F1A-105Z1	1	332181050R1
C8971	C-CERA C	CK725B1C-104K1	1	332121045R1
C8972	C-CERA C	CK725F1A-105Z1	1	332181050R1
C8973	CD C	UCD1E221MNL1GS	1	396652217R2
C8974	C-CERA C	CK725B1H-332K1	1	332103325R1
C8975	C-CERA C	CK725B1H-332K1	1	332103325R1
C8976	C-CERA C	CK725F1A-105Z1	1	332181050R1
C8977	CD C	UCD1A471MNL1GS	1	396634717R2
C8978	C-CERA C	CK725F1A-105Z1	1	332181050R1
C8979	C-CERA C	CK725F1A-105Z1	1	332181050R1
C8981	C-CERA C	CK725B1H-223K1	1	332102235R1
C8982	C-CERA C	CK725F1A-105Z1	1	332181050R1
C8983	CD C	UCD1E221MNL1GS	1	396652217R2
C8984	C-CERA C	CK725B1H-103K1	1	332101035R1
C8985	C-CERA C	CK725B1H-222K1	1	332102225R1
C8986	C-CERA C	CK725F1A-105Z1	1	332181050R1
C8987	CD C	UCD1A471MNL1GS	1	396634717R2
C8988	C-CERA C	CK725F1A-105Z1	1	332181050R1
<b>[RESISTOR]</b>				
R268	C-CARBON R	RN72K1J-331JE	1	435033314R1
R269	C-CARBON R	RN72K1J-331JE	1	435033314R1

R270	C-CARBON R	RN72K1J-331JE	1	435033314R1
R271	C-CARBON R	RN72K1J-470JE	1	435034704R1
R272	C-CARBON R	RN72K1J-331JE	1	435033314R1
R273	C-CARBON R	RN72K1J-331JE	1	435033314R1
R274	C-CARBON R	RN72K1J-470JE	1	435034704R1
R275	C-CARBON R	RN72K1J-221JE	1	435032214R1
R276	C-CARBON R	RN72K1J-221JE	1	435032214R1
R277	C-CARBON R	RN72K1J-151JE	1	435031514R1
R278	C-CARBON R	RN72K1J-331JE	1	435033314R1
R279	C-CARBON R	RN72K1J-331JE	1	435033314R1
R280	C-CARBON R	RN72K1J-470JE	1	435034704R1
R3009	C-CARBON R	RN72K1J-330JE	1	435033304R1
R3010	C-R NET	RM7LJ330X04	1	43484733004R2
R3011	C-R NET	RM7LJ330X04	1	43484733004R2
R3012	C-R NET	RM7LJ470X04	1	43484747004R2
R3013	C-R NET	RM7LJ330X04	1	43484733004R2
R3014	C-R NET	RM7LJ330X04	1	43484733004R2
R3015	C-R NET	RM7LJ330X04	1	43484733004R2
R3016	C-CARBON R	RN72K1J-470JE	1	435034704R1
R3017	C-R NET	RM7LJ330X04	1	43484733004R2
R3018	C-CARBON R	RN72K1J-470JE	1	435034704R1
R3019	C-R NET	RM7LJ330X04	1	43484733004R2
R3020	C-R NET	RM7LJ330X04	1	43484733004R2
R3021	C-CARBON R	RN72K1J-470JE	1	435034704R1
R3022	C-CARBON R	RN72K1J-470JE	1	435034704R1
R3023	C-R NET	RM7LJ470X04	1	43484747004R2
R3024	C-CARBON R	RN72K1J-470JE	1	435034704R1
R3025	C-CARBON R	RN72K1J-102JE	1	435031024R1
R3026	C-CARBON R	RN72K1J-470JE	1	435034704R1
R3028	C-CARBON R	RN72K1J-470JE	1	435034704R1
R3029	C-CARBON R	RN72K1J-102JE	1	435031024R1
R3032	C-CARBON R	RN72K1J-103JE	1	435031034R1
R3033	C-CARBON R	RN72K1J-470JE	1	435034704R1

R3034	C-CARBON R	RN72K1J-470JE	1	435034704R1
R3035	C-CARBON R	RN72K1J-470JE	1	435034704R1
R3036	C-CARBON R	RN72K1J-470JE	1	435034704R1
R3037	C-CARBON R	RN72K1J-470JE	1	435034704R1
R3038	C-CARBON R	RN72K1J-470JE	1	435034704R1
R3039	C-CARBON R	RN72K1J-470JE	1	435034704R1
R3040	C-CARBON R	RN72K1J-103JE	1	435031034R1
R3041	C-R NET	RM7LJ330X04	1	43484733004R2
R3042	C-R NET	RM7LJ330X04	1	43484733004R2
R3043	C-CARBON R	RN72K1J-000JE	1	435030004R1
R3044	C-R NET	RM7LJ330X04	1	43484733004R2
R3045	C-R NET	RM7LJ330X04	1	43484733004R2
R3047	C-CARBON R	RN72K1J-560JE	1	435035604R1
R3048	C-CARBON R	RN72K1J-000JE	1	435030004R1
R3049	C-CARBON R	RN72K1J-560JE	1	435035604R1
R3050	C-CARBON R	RN72K1J-560JE	1	435035604R1
R3051	C-CARBON R	RN72K1J-560JE	1	435035604R1
R3052	C-CARBON R	RN72K1J-103JE	1	435031034R1
R3053	C-CARBON R	RN72K1J-103JE	1	435031034R1
R3054	C-CARBON R	RN72K1J-103JE	1	435031034R1
R3055	C-CARBON R	RN72K1J-472JE	1	435034724R1
R3056	C-CARBON R	RN72K1J-472JE	1	435034724R1
R3060	C-CARBON R	RN72K1J-680JE	1	435036804R1
R3061	C-CARBON R	RN72K1J-470JE	1	435034704R1
R3062	C-CARBON R	RN72K1J-680JE	1	435036804R1
R3063	C-CARBON R	RN72K1J-680JE	1	435036804R1
R3064	C-CARBON R	RN72K1J-680JE	1	435036804R1
R3065	C-CARBON R	RN72K1J-680JE	1	435036804R1
R3066	C-CARBON R	RN72K1J-102JE	1	435031024R1
R3101	C-CARBON R	RN72K1J-103JE	1	435031034R1
R3102	C-CARBON R	RN72K1J-153JE	1	435031534R1
R3108	C-CARBON R	RN72K1J-103JE	1	435031034R1
R3113	C-CARBON R	RN72K1J-103JE	1	435031034R1

R3115	C-CARBON R	RN72K1J-103JE	1	435031034R1
R3117	C-CARBON R	RN72K1J-103JE	1	435031034R1
R3119	C-CARBON R	RN72K1J-472JE	1	435034724R1
R3121	C-CARBON R	RN72K1J-153JE	1	435031534R1
R3122	C-CARBON R	RN72K1J-102JE	1	435031024R1
R3123	C-CARBON R	RN72K1J-000JE	1	435030004R1
R3124	C-CARBON R	RN72K1J-331JE	1	435033314R1
R3125	C-CARBON R	RN72K1J-470JE	1	435034704R1
R3126	C-CARBON R	RN72K1J-470JE	1	435034704R1
R3127	C-CARBON R	RN72K1J-470JE	1	435034704R1
R3128	C-CARBON R	RN72K1J-472JE	1	435034724R1
R3129	C-CARBON R	RN72K1J-470JE	1	435034704R1
R3130	C-CARBON R	RN72K1J-470JE	1	435034704R1
R3131	C-CARBON R	RN72K1J-470JE	1	435034704R1
R3132	C-CARBON R	RN72K1J-103JE	1	435031034R1
R3133	C-CARBON R	RN72K1J-680JE	1	435036804R1
R3134	C-CARBON R	RN72K1J-103JE	1	435031034R1
R3135	C-CARBON R	RN72K1J-103JE	1	435031034R1
R3136	C-CARBON R	RN72K1J-000JE	1	435030004R1
R3137	C-CARBON R	RN72K1J-000JE	1	435030004R1
R3139	C-CARBON R	RN72K1J-101JE	1	435031014R1
R3143	C-CARBON R	RN72K1J-103JE	1	435031034R1
R3144	C-CARBON R	RN72K1J-101JE	1	435031014R1
R3145	C-CARBON R	RN72K1J-103JE	1	435031034R1
R3146	C-CARBON R	RN72K1J-390JE	1	435033904R1
R3147	C-CARBON R	RN72K1J-000JE	1	435030004R1
R3148	C-CARBON R	RN72K1J-390JE	1	435033904R1
R3149	C-CARBON R	RN72K1J-102JE	1	435031024R1
R3150	C-CARBON R	RN72K1J-151JE	1	435031514R1
R3151	C-CARBON R	RN72K1J-103JE	1	435031034R1
R3152	C-CARBON R	RN72K1J-103JE	1	435031034R1
R3154	C-CARBON R	RN72K1J-390JE	1	435033904R1
R3155	C-CARBON R	RN72K1J-390JE	1	435033904R1



R3156	C-CARBON R	RN72K1J-390JE	1	435033904R1
R3157	C-CARBON R	RN72K1J-000JE	1	435030004R1
R3158	C-CARBON R	RN72K1J-000JE	1	435030004R1
R3159	C-CARBON R	RN72K1J-000JE	1	435030004R1
R3160	C-CARBON R	RN72K1J-000JE	1	435030004R1
R3162	C-CARBON R	RN72K1J-390JE	1	435033904R1
R3163	C-CARBON R	RN72K1J-220JE	1	435032204R1
R3164	C-CARBON R	RN72K1J-472JE	1	435034724R1
R3168	C-CARBON R	RN72K1J-220JE	1	435032204R1
R3169	C-CARBON R	RN72K1J-220JE	1	435032204R1
R3170	C-CARBON R	RN72K1J-391FE	1	435033912R1
R3171	C-CARBON R	RN72K1J-222FE	1	435032222R1
R3172	C-CARBON R	RN72K1J-392FE	1	435033922R1
R3173	C-CARBON R	RN72K1J-390JE	1	435033904R1
R3174	C-CARBON R	RN72K1J-390JE	1	435033904R1
R3176	C-CARBON R	MCR03EZPF49R9(49.9_1%)	1	4100037R2
R3177	C-CARBON R	MCR03EZPF49R9(49.9_1%)	1	4100037R2
R3178	C-CARBON R	MCR03EZPF49R9(49.9_1%)	1	4100037R2
R3179	C-CARBON R	MCR03EZPF49R9(49.9_1%)	1	4100037R2
R3180	C-CARBON R	RN72K1J-100FE	1	435031002R1
R3181	C-CARBON R	RN72K1J-470JE	1	435034704R1
R3182	C-CARBON R	RN72K1J-472JE	1	435034724R1
R3183	C-CARBON R	RN72K1J-470JE	1	435034704R1
R3184	C-CARBON R	RN72K1J-470JE	1	435034704R1
R3185	C-CARBON R	RN72K1J-392FE	1	435033922R1
R3186	C-CARBON R	RN72K1J-472JE	1	435034724R1
R3187	C-CARBON R	RN72K1J-223FE	1	435032232R1
R3188	C-CARBON R	RN72K1J-224FE	1	435032242R1
R3189	C-CARBON R	RN72K1J-103FE	1	435031032R1
R3190	C-CARBON R	RN72K1J-393FE	1	435033932R1
R3191	C-CARBON R	RN72K1J-105FE	1	435031052R1
R3192	C-CARBON R	RN72K1J-472JE	1	435034724R1
R3193	C-CARBON R	RN72K1J-472JE	1	435034724R1

R3194	C-CARBON R	RN72K1J-472JE	1	435034724R1
R3199	C-CARBON R	RN72K1J-102JE	1	435031024R1
R3200	C-CARBON R	RN72K1J-103JE	1	435031034R1
R3201	C-CARBON R	RN72K1J-103JE	1	435031034R1
R3202	C-CARBON R	RN72K1J-103JE	1	435031034R1
R3203	C-CARBON R	RN72K1J-103JE	1	435031034R1
R3204	C-CARBON R	RN72K1J-103JE	1	435031034R1
R3205	C-CARBON R	RN72K1J-103JE	1	435031034R1
R3208	C-CARBON R	RN72K1J-220JE	1	435032204R1
R3212	C-CARBON R	RN72K1J-220JE	1	435032204R1
R3215	C-CARBON R	RN72K1J-221JE	1	435032214R1
R3218	C-CARBON R	RN72K1J-220JE	1	435032204R1
R3219	C-CARBON R	RN72K1J-221JE	1	435032214R1
R3221	C-CARBON R	RN72K1J-470JE	1	435034704R1
R3224	C-CARBON R	RN72K1J-220JE	1	435032204R1
R3225	C-CARBON R	RN72K1J-220JE	1	435032204R1
R3226	C-R NET	RM7LJ470X04	1	43484747004R2
R3227	C-CARBON R	RN72K1J-470JE	1	435034704R1
R3228	C-CARBON R	RN72K1J-470JE	1	435034704R1
R3229	C-CARBON R	RN72K1J-470JE	1	435034704R1
R3230	C-CARBON R	RN72K1J-221JE	1	435032214R1
R3231	C-CARBON R	RN72K1J-470JE	1	435034704R1
R3232	C-CARBON R	RN72K1J-221JE	1	435032214R1
R3233	C-CARBON R	RN72K1J-221JE	1	435032214R1
R3234	C-CARBON R	RN72K1J-470JE	1	435034704R1
R3236	C-CARBON R	RN72K1J-470JE	1	435034704R1
R3237	C-CARBON R	RN72K1J-221JE	1	435032214R1
R3238	C-CARBON R	RN72K1J-470JE	1	435034704R1
R3239	C-CARBON R	RN72K1J-221JE	1	435032214R1
R3240	C-CARBON R	RN72K1J-103JE	1	435031034R1
R3241	C-CARBON R	RN72K1J-221JE	1	435032214R1
R3242	C-CARBON R	RN72K1J-221JE	1	435032214R1
R3243	C-CARBON R	RN72K1J-220JE	1	435032204R1

R3244	C-CARBON R	RN72K1J-470JE	1	435034704R1
R3245	C-CARBON R	RN72K1J-103JE	1	435031034R1
R3246	C-CARBON R	RN72K1J-103JE	1	435031034R1
R3247	C-CARBON R	RN72K1J-331JE	1	435033314R1
R3248	C-CARBON R	RN72K1J-220JE	1	435032204R1
R3249	C-CARBON R	RN72K1J-470JE	1	435034704R1
R3250	C-CARBON R	RN72K1J-470JE	1	435034704R1
R3251	C-CARBON R	RN72K1J-470JE	1	435034704R1
R3252	C-CARBON R	RN72K1J-220JE	1	435032204R1
R3253	C-CARBON R	RN72K1J-470JE	1	435034704R1
R3254	C-CARBON R	RN72K1J-470JE	1	435034704R1
R3255	C-CARBON R	RN72K1J-103JE	1	435031034R1
R3256	C-CARBON R	RN72K1J-470JE	1	435034704R1
R3257	C-CARBON R	RN72K1J-470JE	1	435034704R1
R3259	C-CARBON R	RN72K1J-220JE	1	435032204R1
R3260	C-CARBON R	RN72K1J-390JE	1	435033904R1
R3261	C-CARBON R	RN72K1J-470JE	1	435034704R1
R3262	C-CARBON R	RN72K1J-221JE	1	435032214R1
R3264	C-CARBON R	RN72K1J-470JE	1	435034704R1
R3265	C-CARBON R	RN72K1J-390JE	1	435033904R1
R3267	C-CARBON R	RN72K1J-470JE	1	435034704R1
R3268	C-CARBON R	RN72K1J-390JE	1	435033904R1
R3270	C-CARBON R	RN72K1J-470JE	1	435034704R1
R3271	C-CARBON R	RN72K1J-390JE	1	435033904R1
R3272	C-CARBON R	RN72K1J-470JE	1	435034704R1
R3273	C-CARBON R	RN72K1J-470JE	1	435034704R1
R3274	C-CARBON R	RN72K1J-390JE	1	435033904R1
R3275	C-CARBON R	RN72K1J-220JE	1	435032204R1
R3276	C-CARBON R	RN72K1J-470JE	1	435034704R1
R3277	C-CARBON R	RN72K1J-220JE	1	435032204R1
R3278	C-CARBON R	RN72K1J-470JE	1	435034704R1
R3279	C-CARBON R	RN72K1J-470JE	1	435034704R1
R3280	C-CARBON R	RN72K1J-470JE	1	435034704R1

R3281	C-CARBON R	RN72K1J-103JE	1	435031034R1
R3282	C-CARBON R	RN72K1J-103JE	1	435031034R1
R3283	C-CARBON R	RN72K1J-103JE	1	435031034R1
R3284	C-CARBON R	RN72K1J-103JE	1	435031034R1
R3285	C-CARBON R	RN72K1J-103JE	1	435031034R1
R3286	C-CARBON R	RN72K1J-103JE	1	435031034R1
R3287	C-CARBON R	RN72K1J-220JE	1	435032204R1
R3288	C-CARBON R	RN72K1J-223JE	1	435032234R1
R3289	C-CARBON R	RN72K1J-152JE	1	435031524R1
R3290	C-CARBON R	RN72K1J-105JE	1	435031054R1
R3291	C-CARBON R	RN72K1J-105JE	1	435031054R1
R3292	C-CARBON R	RN72K1J-561FE	1	435035612R1
R3293	C-CARBON R	RN72K1J-560JE	1	435035604R1
R3294	C-CARBON R	RN72K1J-561FE	1	435035612R1
R3295	C-CARBON R	RN72K1J-560JE	1	435035604R1
R3296	C-CARBON R	RN72K1J-223JE	1	435032234R1
R3297	C-CARBON R	RN72K1J-332JE	1	435033324R1
R3298	C-CARBON R	RN72K1J-182JE	1	435031824R1
R3299	C-CARBON R	RN72K1J-220JE	1	435032204R1
R3300	C-CARBON R	RN72K1J-153JE	1	435031534R1
R3301	C-CARBON R	RN72K1J-153JE	1	435031534R1
R3302	C-CARBON R	RN72K1J-332JE	1	435033324R1
R3303	C-CARBON R	RN72K1J-104JE	1	435031044R1
R3304	C-CARBON R	RN72K1J-153JE	1	435031534R1
R3305	C-CARBON R	RN72K1J-153JE	1	435031534R1
R3306	C-CARBON R	RN72K1J-332JE	1	435033324R1
R3307	C-CARBON R	RN72K1J-104JE	1	435031044R1
R3308	C-CARBON R	RN72K1J-223JE	1	435032234R1
R3309	C-CARBON R	RN72K1J-332JE	1	435033324R1
R3310	C-CARBON R	RN72K1J-182JE	1	435031824R1
R3311	C-CARBON R	RN72K1J-471JE	1	435034714R1
R3312	C-CARBON R	RN72K1J-223JE	1	435032234R1
R3313	C-CARBON R	RN72K1J-152JE	1	435031524R1

R3314	C-CARBON R	RN72K1J-391JE	1	435033914R1
R3315	C-CARBON R	RN72K1J-560JE	1	435035604R1
R3401	C-R NET	RM7LJ330X04	1	43484733004R2
R3402	C-R NET	RM7LJ330X04	1	43484733004R2
R3403	C-R NET	RM7LJ330X04	1	43484733004R2
R3404	C-R NET	RM7LJ330X04	1	43484733004R2
R3405	C-CARBON R	RN72K1J-103JE	1	435031034R1
R3406	C-CARBON R	RN72K1J-103JE	1	435031034R1
R3407	C-CARBON R	RN72K1J-103JE	1	435031034R1
R3408	C-CARBON R	RN72K1J-103JE	1	435031034R1
R3409	C-CARBON R	RN72K1J-103JE	1	435031034R1
R3410	C-CARBON R	RN72K1J-471JE	1	435034714R1
R3411	C-CARBON R	RN72K1J-222JE	1	435032224R1
R3412	C-CARBON R	RN72K1J-470JE	1	435034704R1
R3413	C-CARBON R	RN72K1J-470JE	1	435034704R1
R3414	C-CARBON R	RN72K1J-470JE	1	435034704R1
R3416	C-CARBON R	RN72K1J-471JE	1	435034714R1
R3417	C-CARBON R	RN72K1J-330JE	1	435033304R1
R3418	C-CARBON R	RN72K1J-470JE	1	435034704R1
R3419	C-CARBON R	RN72K1J-750JE	1	435037504R1
R3420	C-CARBON R	RN72K1J-470JE	1	435034704R1
R3421	C-CARBON R	RN72K1J-102JE	1	435031024R1
R3422	C-CARBON R	RN72K1J-330JE	1	435033304R1
R3423	C-CARBON R	RN72K1J-470JE	1	435034704R1
R3424	C-CARBON R	RN72K1J-470JE	1	435034704R1
R3425	C-CARBON R	RN72K1J-470JE	1	435034704R1
R3426	C-R NET	RM7LJ330X04	1	43484733004R2
R3427	C-CARBON R	RN72K1J-470JE	1	435034704R1
R3428	C-CARBON R	RN72K1J-470JE	1	435034704R1
R3429	C-R NET	RM7LJ330X04	1	43484733004R2
R3430	C-R NET	RM7LJ330X04	1	43484733004R2
R3431	C-CARBON R	RN72K1J-103JE	1	435031034R1
R3432	C-CARBON R	RN72K1J-103JE	1	435031034R1

R3433	C-CARBON R	RN72K1J-103JE	1	435031034R1
R3435	C-R NET	RM7LJ330X04	1	43484733004R2
R3436	C-CARBON R	RN72K1J-331JE	1	435033314R1
R3437	C-CARBON R	RN72K1J-331JE	1	435033314R1
R3438	C-CARBON R	RN72K1J-331JE	1	435033314R1
R3439	C-R NET	RM7LJ330X04	1	43484733004R2
R3440	C-CARBON R	RN72K1J-331JE	1	435033314R1
R3441	C-CARBON R	RN72K1J-331JE	1	435033314R1
R3442	C-CARBON R	RN72K1J-331JE	1	435033314R1
R3443	C-CARBON R	RN72K1J-331JE	1	435033314R1
R3444	C-CARBON R	RN72K1J-331JE	1	435033314R1
R3445	C-R NET	RM7LJ330X04	1	43484733004R2
R3446	C-CARBON R	RN72K1J-470JE	1	435034704R1
R3447	C-CARBON R	RN72K1J-470JE	1	435034704R1
R3448	C-CARBON R	RN72K1J-470JE	1	435034704R1
R3449	C-CARBON R	RN72K1J-470JE	1	435034704R1
R3450	C-CARBON R	RN72K1J-470JE	1	435034704R1
R3451	C-CARBON R	RN72K1J-103JE	1	435031034R1
R3452	C-CARBON R	RN72K1J-103JE	1	435031034R1
R3453	C-CARBON R	RN72K1J-103JE	1	435031034R1
R3454	C-CARBON R	RN72K1J-470JE	1	435034704R1
R3455	C-CARBON R	RN72K1J-103JE	1	435031034R1
R3456	C-CARBON R	RN72K1J-470JE	1	435034704R1
R3457	C-CARBON R	RN72K1J-470JE	1	435034704R1
R3458	C-CARBON R	RN72K1J-470JE	1	435034704R1
R3459	C-CARBON R	RN72K1J-470JE	1	435034704R1
R3460	C-CARBON R	RN72K1J-470JE	1	435034704R1
R3461	C-CARBON R	RN72K1J-470JE	1	435034704R1
R3462	C-CARBON R	RN72K1J-470JE	1	435034704R1
R3464	C-CARBON R	RN72K1J-102JE	1	435031024R1
R3465	C-CARBON R	RN72K1J-223FE	1	435032232R1
R3466	C-CARBON R	RN72K1J-392FE	1	435033922R1
R3467	C-CARBON R	RN72K1J-224FE	1	435032242R1

R3468	C-CARBON R	RN72K1J-103FE	1	435031032R1
R3469	C-CARBON R	RN72K1J-333FE	1	435033332R1
R3470	C-CARBON R	RN72K1J-391JE	1	435033914R1
R3471	C-CARBON R	RN72K1J-391JE	1	435033914R1
R3472	C-CARBON R	RN72K1J-105JE	1	435031054R1
R3473	C-CARBON R	RN72K1J-000JE	1	435030004R1
R3501	C-R NET	RM7LJ330X04	1	43484733004R2
R3502	C-R NET	RM7LJ330X04	1	43484733004R2
R3503	C-R NET	RM7LJ330X04	1	43484733004R2
R3504	C-R NET	RM7LJ330X04	1	43484733004R2
R3505	C-CARBON R	RN72K1J-103JE	1	435031034R1
R3506	C-CARBON R	RN72K1J-103JE	1	435031034R1
R3507	C-CARBON R	RN72K1J-103JE	1	435031034R1
R3508	C-CARBON R	RN72K1J-103JE	1	435031034R1
R3509	C-CARBON R	RN72K1J-103JE	1	435031034R1
R3510	C-CARBON R	RN72K1J-471JE	1	435034714R1
R3511	C-CARBON R	RN72K1J-222JE	1	435032224R1
R3512	C-CARBON R	RN72K1J-470JE	1	435034704R1
R3513	C-CARBON R	RN72K1J-470JE	1	435034704R1
R3514	C-CARBON R	RN72K1J-470JE	1	435034704R1
R3516	C-CARBON R	RN72K1J-471JE	1	435034714R1
R3517	C-CARBON R	RN72K1J-330JE	1	435033304R1
R3518	C-CARBON R	RN72K1J-470JE	1	435034704R1
R3519	C-CARBON R	RN72K1J-750JE	1	435037504R1
R3520	C-CARBON R	RN72K1J-470JE	1	435034704R1
R3521	C-CARBON R	RN72K1J-471JE	1	435034714R1
R3522	C-CARBON R	RN72K1J-330JE	1	435033304R1
R3523	C-CARBON R	RN72K1J-470JE	1	435034704R1
R3524	C-CARBON R	RN72K1J-470JE	1	435034704R1
R3525	C-CARBON R	RN72K1J-470JE	1	435034704R1
R3526	C-R NET	RM7LJ330X04	1	43484733004R2
R3527	C-CARBON R	RN72K1J-470JE	1	435034704R1
R3528	C-CARBON R	RN72K1J-470JE	1	435034704R1

R3529	C-R NET	RM7LJ330X04	1	43484733004R2
R3530	C-R NET	RM7LJ330X04	1	43484733004R2
R3531	C-CARBON R	RN72K1J-103JE	1	435031034R1
R3532	C-CARBON R	RN72K1J-103JE	1	435031034R1
R3533	C-CARBON R	RN72K1J-103JE	1	435031034R1
R3534	C-CARBON R	RN72K1J-331JE	1	435033314R1
R3535	C-R NET	RM7LJ330X04	1	43484733004R2
R3536	C-CARBON R	RN72K1J-331JE	1	435033314R1
R3537	C-CARBON R	RN72K1J-331JE	1	435033314R1
R3538	C-CARBON R	RN72K1J-331JE	1	435033314R1
R3539	C-R NET	RM7LJ330X04	1	43484733004R2
R3540	C-CARBON R	RN72K1J-331JE	1	435033314R1
R3541	C-CARBON R	RN72K1J-331JE	1	435033314R1
R3542	C-CARBON R	RN72K1J-331JE	1	435033314R1
R3543	C-CARBON R	RN72K1J-331JE	1	435033314R1
R3544	C-CARBON R	RN72K1J-331JE	1	435033314R1
R3545	C-R NET	RM7LJ330X04	1	43484733004R2
R3546	C-CARBON R	RN72K1J-470JE	1	435034704R1
R3547	C-CARBON R	RN72K1J-470JE	1	435034704R1
R3548	C-CARBON R	RN72K1J-470JE	1	435034704R1
R3549	C-CARBON R	RN72K1J-470JE	1	435034704R1
R3550	C-CARBON R	RN72K1J-470JE	1	435034704R1
R3551	C-CARBON R	RN72K1J-103JE	1	435031034R1
R3552	C-CARBON R	RN72K1J-103JE	1	435031034R1
R3553	C-CARBON R	RN72K1J-103JE	1	435031034R1
R3554	C-CARBON R	RN72K1J-470JE	1	435034704R1
R3555	C-CARBON R	RN72K1J-103JE	1	435031034R1
R3556	C-CARBON R	RN72K1J-470JE	1	435034704R1
R3557	C-CARBON R	RN72K1J-470JE	1	435034704R1
R3558	C-CARBON R	RN72K1J-470JE	1	435034704R1
R3559	C-CARBON R	RN72K1J-470JE	1	435034704R1
R3560	C-CARBON R	RN72K1J-470JE	1	435034704R1
R3561	C-CARBON R	RN72K1J-470JE	1	435034704R1



R3562	C-CARBON R	RN72K1J-470JE	1	435034704R1
R3564	C-CARBON R	RN72K1J-102JE	1	435031024R1
R3565	C-CARBON R	RN72K1J-223FE	1	435032232R1
R3566	C-CARBON R	RN72K1J-392FE	1	435033922R1
R3567	C-CARBON R	RN72K1J-224FE	1	435032242R1
R3568	C-CARBON R	RN72K1J-103FE	1	435031032R1
R3569	C-CARBON R	RN72K1J-333FE	1	435033332R1
R3670	C-CARBON R	RN72K1J-103JE	1	435031034R1
R3673	C-CARBON R	RN72K1J-000JE	1	435030004R1
R3674	C-CARBON R	RN72K1J-000JE	1	435030004R1
R3680	C-CARBON R	RN72K1J-000JE	1	435030004R1
R8040	C-CARBON R	RN72K1J-000JE	1	435030004R1
R8041	C-CARBON R	RN72K1J-000JE	1	435030004R1
R8042	C-CARBON R	RN72K1J-000JE	1	435030004R1
R8043	C-CARBON R	RN72K1J-750JE	1	435037504R1
R8044	C-CARBON R	RN72K1J-750JE	1	435037504R1
R8045	C-CARBON R	RN72K1J-750JE	1	435037504R1
R8046	C-CARBON R	RN72K1J-750JE	1	435037504R1
R8047	C-CARBON R	RN72K1J-750JE	1	435037504R1
R8048	C-CARBON R	RN72K1J-750JE	1	435037504R1
R8049	C-CARBON R	RN72K1J-750JE	1	435037504R1
R8050	C-CARBON R	RN72K1J-750JE	1	435037504R1
R8051	C-CARBON R	RN72K1J-750JE	1	435037504R1
R8052	C-CARBON R	RN72K1J-750JE	1	435037504R1
R8053	C-CARBON R	RN72K1J-750JE	1	435037504R1
R8054	C-CARBON R	RN72K1J-272JE	1	435032724R1
R8055	C-CARBON R	RN72K1J-272JE	1	435032724R1
R8056	C-CARBON R	RN72K1J-101JE	1	435031014R1
R8057	C-CARBON R	RN72K1J-101JE	1	435031014R1
R8058	C-CARBON R	RN72K1J-562JE	1	435035624R1
R8059	C-CARBON R	RN72K1J-101JE	1	435031014R1
R8060	C-CARBON R	RN72K1J-101JE	1	435031014R1
R8061	C-CARBON R	RN72K1J-101JE	1	435031014R1

R8062	C-CARBON R	RN72K1J-101JE	1	435031014R1
R8063	C-CARBON R	RN72K1J-273JE	1	435032734R1
R8064	C-CARBON R	RN72K1J-391JE	1	435033914R1
R8068	C-CARBON R	RN72K1J-750JE	1	435037504R1
R8069	C-CARBON R	RN72K1J-750JE	1	435037504R1
R8070	C-CARBON R	RN72K1J-750JE	1	435037504R1
R8071	C-CARBON R	RN72K1J-750JE	1	435037504R1
R8072	C-CARBON R	RN72K1J-750JE	1	435037504R1
R8073	C-CARBON R	RN72K1J-750JE	1	435037504R1
R8075	C-CARBON R	RN72K1J-472JE	1	435034724R1
R8081	C-R NET	RM7LJ330X04	1	43484733004R2
R8082	C-R NET	RM7LJ330X04	1	43484733004R2
R8083	C-R NET	RM7LJ330X04	1	43484733004R2
R8084	C-R NET	RM7LJ330X04	1	43484733004R2
R8085	C-R NET	RM7LJ330X04	1	43484733004R2
R8086	C-R NET	RM7LJ330X04	1	43484733004R2
R8087	C-R NET	RM7LJ330X04	1	43484733004R2
R8088	C-R NET	RM7LJ330X04	1	43484733004R2
R8089	C-CARBON R	RN72K1J-220JE	1	435032204R1
R8090	C-R NET	RM7LJ330X04	1	43484733004R2
R8091	C-R NET	RM7LJ220X04	1	43484722004R2
R8092	C-R NET	RM7LJ220X04	1	43484722004R2
R8093	C-R NET	RM7LJ220X04	1	43484722004R2
R8094	C-R NET	RM7LJ220X04	1	43484722004R2
R8095	C-R NET	RM7LJ220X04	1	43484722004R2
R8096	C-R NET	RM7LJ220X04	1	43484722004R2
R8097	C-R NET	RM7LJ220X04	1	43484722004R2
R8098	C-R NET	RM7LJ220X04	1	43484722004R2
R8099	C-R NET	RM7LJ220X04	1	43484722004R2
R8100	C-R NET	RM7LJ220X04	1	43484722004R2
R8101	C-R NET	RM7LJ220X04	1	43484722004R2
R8102	C-CARBON R	RN72K1J-105JE	1	435031054R1
R8103	C-CARBON R	RN72K1J-561JE	1	435035614R1

R8104	C-CARBON R	RN72K1J-000JE	1	435030004R1
R8110	C-CARBON R	RN72K1J-182JE	1	435031824R1
R8111	C-CARBON R	RN72K1J-271JE	1	435032714R1
R8123	C-CARBON R	RN72K1J-000JE	1	435030004R1
R8124	C-CARBON R	RN72K1J-103JE	1	435031034R1
R8125	C-CARBON R	RN72K1J-103JE	1	435031034R1
R8126	C-CARBON R	RN72K1J-271JE	1	435032714R1
R8127	C-CARBON R	RN72K1J-103JE	1	435031034R1
R8128	C-CARBON R	RN72K1J-750JE	1	435037504R1
R8129	C-CARBON R	RN72K1J-103JE	1	435031034R1
R8130	C-CARBON R	RN72K1J-750JE	1	435037504R1
R8144	C-CARBON R	RN72K1J-103JE	1	435031034R1
R8147	C-CARBON R	RN72K1J-103JE	1	435031034R1
R8149	C-CARBON R	RN72K1J-103JE	1	435031034R1
R8150	C-CARBON R	RN72K1J-103JE	1	435031034R1
R8151	C-CARBON R	RN72K1J-103JE	1	435031034R1
R8154	C-CARBON R	RN72K1J-000JE	1	435030004R1
R8157	C-CARBON R	RN72K1J-103JE	1	435031034R1
R8158	C-CARBON R	RN72K1J-103JE	1	435031034R1
R8160	C-CARBON R	RN72K1J-332JE	1	435033324R1
R8161	C-CARBON R	RN72K1J-681JE	1	435036814R1
R8162	C-CARBON R	RN72K1J-101JE	1	435031014R1
R8165	C-CARBON R	RN72K1J-103JE	1	435031034R1
R8202	C-CARBON R	RN72K1J-000JE	1	435030004R1
R8203	C-CARBON R	RN72K1J-000JE	1	435030004R1
R8205	C-CARBON R	RN72K1J-330JE	1	435033304R1
R8206	C-CARBON R	RN72K1J-103JE	1	435031034R1
R8207	C-CARBON R	RN72K1J-103JE	1	435031034R1
R8210	C-CARBON R	RN72K1J-470JE	1	435034704R1
R8211	C-CARBON R	RN72K1J-101JE	1	435031014R1
R8212	C-CARBON R	RN72K1J-101JE	1	435031014R1
R8213	C-CARBON R	RN72K1J-103JE	1	435031034R1
R8214	C-CARBON R	RN72K1J-101JE	1	435031014R1

R8215	C-CARBON R	RN72K1J-101JE	1	435031014R1
R8216	C-CARBON R	RN72K1J-103JE	1	435031034R1
R8218	C-CARBON R	RN72K1J-103JE	1	435031034R1
R8219	C-CARBON R	RN72K1J-332JE	1	435033324R1
R8221	C-CARBON R	RN72K1J-331JE	1	435033314R1
R8222	C-CARBON R	RN72K2B-000JE	1	433220004R1
R8223	C-CARBON R	RN72K1J-000JE	1	435030004R1
R8224	C-CARBON R	RN72K1J-000JE	1	435030004R1
R8231	C-CARBON R	RN72K1J-332JE	1	435033324R1
R8232	C-CARBON R	RN72K1J-332JE	1	435033324R1
R8233	C-CARBON R	RN72K1J-332JE	1	435033324R1
R8234	C-CARBON R	RN72K1J-332JE	1	435033324R1
R8236	C-CARBON R	RN72K1J-331JE	1	435033314R1
R8240	C-CARBON R	RN72K1J-331JE	1	435033314R1
R8241	C-CARBON R	RN72K1J-331JE	1	435033314R1
R8243	C-CARBON R	RN72K1J-470JE	1	435034704R1
R8255	C-CARBON R	RN72K1J-222JE	1	435032224R1
R8256	C-CARBON R	RN72K1J-105JE	1	435031054R1
R8263	C-CARBON R	RN72K1J-472JE	1	435034724R1
R8264	C-CARBON R	RN72K1J-331JE	1	435033314R1
R8265	C-CARBON R	RN72K1J-330JE	1	435033304R1
R8313	C-CARBON R	RN72K1J-103JE	1	435031034R1
R8319	C-CARBON R	RN72K1J-473JE	1	435034734R1
R8320	C-CARBON R	RN72K1J-473JE	1	435034734R1
R8323	C-CARBON R	RN72K1J-103JE	1	435031034R1
R8329	C-CARBON R	RN72K1J-473JE	1	435034734R1
R8330	C-CARBON R	RN72K1J-473JE	1	435034734R1
R8333	C-CARBON R	RN72K1J-103JE	1	435031034R1
R8334	C-CARBON R	RN72K1J-222JE	1	435032224R1
R8335	C-CARBON R	RN72K1J-222JE	1	435032224R1
R8336	C-CARBON R	RN72K1J-472JE	1	435034724R1
R8337	C-CARBON R	RN72K1J-473JE	1	435034734R1
R8338	C-CARBON R	RN72K1J-473JE	1	435034734R1

R8339	C-CARBON R	RN72K2E-470JE	1	435224704R1
R8343	C-CARBON R	RN72K1J-103JE	1	435031034R1
R8349	C-CARBON R	RN72K1J-473JE	1	435034734R1
R8350	C-CARBON R	RN72K1J-473JE	1	435034734R1
R8360	C-CARBON R	RN72K1J-103JE	1	435031034R1
R8361	C-CARBON R	RN72K1J-681JE	1	435036814R1
R8362	C-CARBON R	RN72K1J-101JE	1	435031014R1
R8365	C-CARBON R	RN72K1J-103JE	1	435031034R1
R8372	C-CARBON R	RN72K1J-103JE	1	435031034R1
R8374	C-CARBON R	RN72K1J-472JE	1	435034724R1
R8375	C-CARBON R	RN72K1J-473JE	1	435034734R1
R8376	C-CARBON R	RN72K1J-473JE	1	435034734R1
R8384	C-CARBON R	RN72K1J-222JE	1	435032224R1
R8385	C-CARBON R	RN72K1J-222JE	1	435032224R1
R8391	C-CARBON R	RN72K2E-470JE	1	435224704R1
R8401	C-R NET	RM7LJ220X04	1	43484722004R2
R8402	C-CARBON R	RN72K1J-220JE	1	435032204R1
R8403	C-R NET	RM7LJ220X04	1	43484722004R2
R8404	C-CARBON R	RN72K1J-220JE	1	435032204R1
R8405	C-CARBON R	RN72K1J-220JE	1	435032204R1
R8408	C-CARBON R	RN72K1J-220JE	1	435032204R1
R8409	C-CARBON R	RN72K1J-101JE	1	435031014R1
R8410	C-CARBON R	RN72K1J-681JE	1	435036814R1
R8411	C-CARBON R	RN72K1J-472JE	1	435034724R1
R8416	C-R NET	RM7LJ220X04	1	43484722004R2
R8417	C-R NET	RM7LJ220X04	1	43484722004R2
R8418	C-R NET	RM7LJ220X04	1	43484722004R2
R8419	C-R NET	RM7LJ220X04	1	43484722004R2
R8420	C-R NET	RM7LJ220X04	1	43484722004R2
R8421	C-R NET	RM7LJ220X04	1	43484722004R2
R8422	C-R NET	RM7LJ220X04	1	43484722004R2
R8423	C-R NET	RM7LJ220X04	1	43484722004R2
R8424	C-R NET	RM7LJ220X04	1	43484722004R2

R8425	C-CARBON R	RN72K1J-220JE	1	435032204R1
R8429	C-CARBON R	RN72K1J-220JE	1	435032204R1
R8431	C-CARBON R	RN72K1J-472JE	1	435034724R1
R8432	C-CARBON R	RN72K1J-220JE	1	435032204R1
R8442	C-CARBON R	RN72K1J-102JE	1	435031024R1
R8451	C-R NET	RM7LJ220X04	1	43484722004R2
R8452	C-CARBON R	RN72K1J-220JE	1	435032204R1
R8453	C-R NET	RM7LJ220X04	1	43484722004R2
R8454	C-CARBON R	RN72K1J-220JE	1	435032204R1
R8455	C-CARBON R	RN72K1J-220JE	1	435032204R1
R8458	C-CARBON R	RN72K1J-220JE	1	435032204R1
R8459	C-CARBON R	RN72K1J-101JE	1	435031014R1
R8460	C-CARBON R	RN72K1J-681JE	1	435036814R1
R8462	C-CARBON R	RN72K1J-472JE	1	435034724R1
R8466	C-R NET	RM7LJ220X04	1	43484722004R2
R8467	C-R NET	RM7LJ220X04	1	43484722004R2
R8468	C-R NET	RM7LJ220X04	1	43484722004R2
R8469	C-R NET	RM7LJ220X04	1	43484722004R2
R8470	C-R NET	RM7LJ220X04	1	43484722004R2
R8471	C-R NET	RM7LJ220X04	1	43484722004R2
R8472	C-R NET	RM7LJ220X04	1	43484722004R2
R8473	C-R NET	RM7LJ220X04	1	43484722004R2
R8474	C-R NET	RM7LJ220X04	1	43484722004R2
R8475	C-CARBON R	RN72K1J-220JE	1	435032204R1
R8479	C-CARBON R	RN72K1J-220JE	1	435032204R1
R8481	C-CARBON R	RN72K1J-472JE	1	435034724R1
R8482	C-CARBON R	RN72K1J-220JE	1	435032204R1
R8492	C-CARBON R	RN72K1J-102JE	1	435031024R1
R8501	C-CARBON R	RN72K1J-330JE	1	435033304R1
R8502	C-CARBON R	RN72K1J-120JE	1	435031204R1
R8503	C-R NET	RM7LJ330X04	1	43484733004R2
R8504	C-R NET	RM7LJ330X04	1	43484733004R2
R8505	C-R NET	RM7LJ330X04	1	43484733004R2

R8507	C-R NET	RM7LJ330X04	1	43484733004R2
R8508	C-R NET	RM7LJ330X04	1	43484733004R2
R8509	C-R NET	RM7LJ330X04	1	43484733004R2
R8510	C-R NET	RM7LJ330X04	1	43484733004R2
R8511	C-R NET	RM7LJ330X04	1	43484733004R2
R8512	C-R NET	RM7LJ330X04	1	43484733004R2
R8513	C-R NET	RM7LJ330X04	1	43484733004R2
R8516	C-CARBON R	RN72K1J-101JE	1	435031014R1
R8517	C-CARBON R	RN72K1J-101JE	1	435031014R1
R8518	C-CARBON R	RN72K1J-472JE	1	435034724R1
R8519	C-CARBON R	RN72K1J-220JE	1	435032204R1
R8522	C-R NET	RM7LJ330X04	1	43484733004R2
R8523	C-CARBON R	RN72K1J-330JE	1	435033304R1
R8524	C-CARBON R	RN72K1J-330JE	1	435033304R1
R8525	C-CARBON R	RN72K1J-472JE	1	435034724R1
R8526	C-CARBON R	RN72K1J-472JE	1	435034724R1
R8527	C-CARBON R	RN72K1J-562JE	1	435035624R1
R8528	C-CARBON R	RN72K1J-562JE	1	435035624R1
R8529	C-CARBON R	RN72K1J-103JE	1	435031034R1
R8531	C-CARBON R	RN72K1J-000JE	1	435030004R1
R8533	C-CARBON R	RN72K1J-562JE	1	435035624R1
R8534	C-CARBON R	RN72K1J-562JE	1	435035624R1
R8535	C-CARBON R	RN72K1J-000JE	1	435030004R1
R8536	C-CARBON R	RN72K1J-000JE	1	435030004R1
R8601	C-CARBON R	RN72K1J-000JE	1	435030004R1
R8602	C-CARBON R	RN72K1J-000JE	1	435030004R1
R8607	C-CARBON R	RN72K1J-473JE	1	435034734R1
R8608	C-CARBON R	RN72K1J-473JE	1	435034734R1
R8609	C-CARBON R	RN72K1J-000JE	1	435030004R1
R8617	C-CARBON R	RN72K1J-473JE	1	435034734R1
R8618	C-CARBON R	RN72K1J-473JE	1	435034734R1
R8619	C-CARBON R	RN72K1J-103JE	1	435031034R1
R8627	C-CARBON R	RN72K1J-473JE	1	435034734R1

R8628	C-CARBON R	RN72K1J-473JE	1	435034734R1
R8629	C-CARBON R	RN72K1J-103JE	1	435031034R1
R8637	C-CARBON R	RN72K1J-473JE	1	435034734R1
R8638	C-CARBON R	RN72K1J-473JE	1	435034734R1
R8639	C-CARBON R	RN72K1J-103JE	1	435031034R1
R8647	C-CARBON R	RN72K1J-472JE	1	435034724R1
R8648	C-CARBON R	RN72K1J-472JE	1	435034724R1
R8649	C-CARBON R	RN72K1J-000JE	1	435030004R1
R8650	C-CERA C	CK725B1H-102K1	1	332101025R1
R8651	C-CERA C	CK725B1H-102K1	1	332101025R1
R8654	C-CARBON R	RN72K1J-223JE	1	435032234R1
R8655	C-CARBON R	RN72K1J-224JE	1	435032244R1
R8656	C-CARBON R	RN72K1J-333JE	1	435033334R1
R8701	C-CARBON R	RN72K1J-103JE	1	435031034R1
R8702	C-CARBON R	RN72K1J-103JE	1	435031034R1
R8703	C-CARBON R	RN72K1J-103JE	1	435031034R1
R8705	C-CARBON R	RN72K1J-220JE	1	435032204R1
R8706	C-CARBON R	RN72K1J-220JE	1	435032204R1
R8707	C-CARBON R	RN72K1J-220JE	1	435032204R1
R8708	C-CARBON R	RN72K1J-103JE	1	435031034R1
R8709	C-CARBON R	RN72K1J-103JE	1	435031034R1
R8710	C-CARBON R	RN72K1J-103JE	1	435031034R1
R8711	C-CARBON R	RN72K1J-222JE	1	435032224R1
R8712	C-R NET	RM7LJ222X04	1	43484722204R2
R8713	C-R NET	RM7LJ222X04	1	43484722204R2
R8714	C-R NET	RM7LJ222X04	1	43484722204R2
R8715	C-R NET	RM7LJ103X04	1	43484710304R2
R8716	C-CARBON R	RN72K1J-103JE	1	435031034R1
R8717	C-CARBON R	RN72K1J-103JE	1	435031034R1
R8718	C-CARBON R	RN72K1J-220JE	1	435032204R1
R8719	C-CARBON R	RN72K1J-103JE	1	435031034R1
R8720	C-CARBON R	RN72K1J-220JE	1	435032204R1
R8721	C-CARBON R	RN72K1J-220JE	1	435032204R1



R8722	C-CARBON R	RN72K1J-103JE	1	435031034R1
R8723	C-CARBON R	RN72K1J-103JE	1	435031034R1
R8733	C-CARBON R	RN72K1J-103JE	1	435031034R1
R8737	C-R NET	RM7LJ103X04	1	43484710304R2
R8738	C-CARBON R	RN72K1J-103JE	1	435031034R1
R8742	C-CARBON R	RN72K1J-103JE	1	435031034R1
R8744	C-CARBON R	RN72K1J-103JE	1	435031034R1
R8745	C-CARBON R	RN72K1J-103JE	1	435031034R1
R8748	C-CARBON R	RN72K1J-103JE	1	435031034R1
R8749	C-CARBON R	RN72K1J-220JE	1	435032204R1
R8750	C-CARBON R	RN72K1J-000JE	1	435030004R1
R8751	C-CARBON R	RN72K1J-000JE	1	435030004R1
R8752	C-CARBON R	RN72K1J-000JE	1	435030004R1
R8801	C-R NET	RM7LJ220X04	1	43484722004R2
R8802	C-R NET	RM7LJ220X04	1	43484722004R2
R8803	C-R NET	RM7LJ220X04	1	43484722004R2
R8804	C-R NET	RM7LJ220X04	1	43484722004R2
R8805	C-R NET	RM7LJ220X04	1	43484722004R2
R8806	C-CARBON R	RN72K1J-103JE	1	435031034R1
R8810	C-R NET	RM7LJ220X04	1	43484722004R2
R8811	C-R NET	RM7LJ220X04	1	43484722004R2
R8812	C-R NET	RM7LJ220X04	1	43484722004R2
R8813	C-CARBON R	RN72K1J-220JE	1	435032204R1
R8814	C-CARBON R	RN72K1J-181JE	1	435031814R1
R8815	C-CARBON R	RN72K1J-332JE	1	435033324R1
R8816	C-CARBON R	RN72K1J-181JE	1	435031814R1
R8817	C-CARBON R	RN72K1J-332JE	1	435033324R1
R8818	C-CARBON R	RN72K1J-332JE	1	435033324R1
R8819	C-CARBON R	RN72K1J-821JE	1	435038214R1
R8820	C-CARBON R	RN72K1J-332JE	1	435033324R1
R8821	C-CARBON R	RN72K1J-821JE	1	435038214R1
R8822	C-CARBON R	RN72K1J-473JE	1	435034734R1
R8823	C-CARBON R	RN72K1J-000JE	1	435030004R1

R8824	C-CARBON R	RN72K1J-000JE	1	435030004R1
R8825	C-CARBON R	RN72K1J-000JE	1	435030004R1
R8826	C-CARBON R	RN72K1J-000JE	1	435030004R1
R8827	C-CARBON R	RN72K1J-000JE	1	435030004R1
R8882	C-CARBON R	RN72K1J-000JE	1	435030004R1
R8883	C-CARBON R	RN72K1J-000JE	1	435030004R1
R8901	C-CARBON R	RN72K1J-122JE	1	435031224R1
R8902	C-CARBON R	RN72K1J-122JE	1	435031224R1
R8903	C-CARBON R	RN72K1J-122JE	1	435031224R1
R8904	C-CARBON R	RN72K1J-122JE	1	435031224R1
R8905	C-CARBON R	RN72K1J-122JE	1	435031224R1
R8906	C-CARBON R	RN72K1J-122JE	1	435031224R1
R8907	C-CARBON R	RN72K1J-122JE	1	435031224R1
R8908	C-CARBON R	RN72K1J-122JE	1	435031224R1
R8909	C-CARBON R	RN72K1J-122JE	1	435031224R1
R8910	C-CARBON R	RN72K1J-122JE	1	435031224R1
R8911	C-CARBON R	RN72K1J-122JE	1	435031224R1
R8912	C-CARBON R	RN72K1J-122JE	1	435031224R1
R8913	C-CARBON R	RN72K1J-122JE	1	435031224R1
R8914	C-CARBON R	RN72K1J-122JE	1	435031224R1
R8915	C-CARBON R	RN72K1J-122JE	1	435031224R1
R8916	C-CARBON R	RN72K1J-122JE	1	435031224R1
R8917	C-CARBON R	RN72K1J-122JE	1	435031224R1
R8918	C-CARBON R	RN72K1J-122JE	1	435031224R1
R8919	C-CARBON R	RN72K1J-122JE	1	435031224R1
R8920	C-CARBON R	RN72K1J-122JE	1	435031224R1
R8921	C-CARBON R	RN72K1J-122JE	1	435031224R1
R8922	C-CARBON R	RN72K1J-122JE	1	435031224R1
R8923	C-CARBON R	RN72K1J-122JE	1	435031224R1
R8924	C-CARBON R	RN72K1J-122JE	1	435031224R1
R8940	C-CARBON R	RN72K1J-104JE	1	435031044R1
R8941	C-CARBON R	RN72K1J-104JE	1	435031044R1
R8942	C-CARBON R	RN72K1J-103JE	1	435031034R1

R8946	C-CARBON R	RN72K1J-000JE	1	435030004R1
R8951	C-CARBON R	RN72K1J-103JE	1	435031034R1
R8952	C-CARBON R	RN72K1J-683JE	1	435036834R1
R8953	C-CARBON R	RN72K1J-183FE	1	435031832R1
R8954	C-CARBON R	RN72K1J-224FE	1	435032242R1
R8955	C-CARBON R	RN72K1J-103FE	1	435031032R1
R8957	C-CARBON R	RN72K1J-333JE	1	435033334R1
R8958	C-CARBON R	RN72K1J-000JE	1	435030004R1
R8960	C-CARBON R	RN72K1J-103FE	1	435031032R1
R8962	C-CARBON R	RN72K1J-333JE	1	435033334R1
R8963	C-CARBON R	RN72K1J-153FE	1	435031532R1
R8964	C-CARBON R	RN72K1J-333FE	1	435033332R1
R8965	C-CARBON R	RN72K1J-103FE	1	435031032R1
R8967	C-CARBON R	RN72K1J-683JE	1	435036834R1
R8968	C-CARBON R	RN72K1J-333FE	1	435033332R1
R8969	C-CARBON R	RN72K1J-394FE	1	435033942R1
R8970	C-CARBON R	RN72K1J-103FE	1	435031032R1
R8971	C-CARBON R	RN72K1J-473JE	1	435034734R1
R8972	C-CARBON R	RN72K1J-103JE	1	435031034R1
R8973	C-CARBON R	RN72K1J-103JE	1	435031034R1
R8974	C-CARBON R	RN72K1J-103JE	1	435031034R1
R8976	C-CARBON R	RN72K1J-103JE	1	435031034R1
R8977	C-CARBON R	RN72K1J-562JE	1	435035624R1
R8978	C-CARBON R	RN72K1J-682JE	1	435036824R1
R8979	C-CARBON R	RN72K1J-562JE	1	435035624R1
RN8013	C-R NET	RM7LJ330X04	1	43484733004R2
RN8014	C-R NET	RM7LJ330X04	1	43484733004R2
RN8015	C-R NET	RM7LJ330X04	1	43484733004R2
RN8016	C-R NET	RM7LJ330X04	1	43484733004R2
RN8017	C-R NET	RM7LJ330X04	1	43484733004R2
RN8018	C-R NET	RM7LJ330X04	1	43484733004R2
RN8019	C-R NET	RM7LJ330X04	1	43484733004R2
RN8020	C-R NET	RM7LJ330X04	1	43484733004R2

RN8021	C-R NET	RM7LJ330X04	1	43484733004R2
RN8022	C-R NET	RM7LJ330X04	1	43484733004R2
RN8023	C-R NET	RM7LJ330X04	1	43484733004R2
RN8024	C-R NET	RM7LJ330X04	1	43484733004R2
RN8025	C-R NET	RM7LJ330X04	1	43484733004R2
RN8026	C-R NET	RM7LJ330X04	1	43484733004R2
RN8027	C-R NET	RM7LJ330X04	1	43484733004R2
RN8028	C-R NET	RM7LJ330X04	1	43484733004R2
RN8029	C-R NET	RM7LJ330X04	1	43484733004R2
RN8030	C-R NET	RM7LJ330X04	1	43484733004R2
RN8037	C-R NET	RM7LJ330X04	1	43484733004R2
RN8038	C-R NET	RM7LJ330X04	1	43484733004R2
RN8039	C-R NET	RM7LJ330X04	1	43484733004R2
RN8041	C-R NET	RM7LJ330X04	1	43484733004R2
RN8043	C-R NET	RM7LJ330X04	1	43484733004R2
RN8045	C-R NET	RM7LJ330X04	1	43484733004R2
RN8048	C-R NET	RM7LJ330X04	1	43484733004R2
RN8049	C-R NET	RM7LJ330X04	1	43484733004R2
RN8050	C-R NET	RM7LJ330X04	1	43484733004R2
RN8051	C-R NET	RM7LJ330X04	1	43484733004R2
RN8052	C-R NET	RM7LJ330X04	1	43484733004R2
RN8053	C-R NET	RM7LJ330X04	1	43484733004R2
RN8054	C-R NET	RM7LJ330X04	1	43484733004R2
RN8055	C-R NET	RM7LJ330X04	1	43484733004R2
RN8056	C-R NET	RM7LJ330X04	1	43484733004R2
RN8057	C-R NET	RM7LJ330X04	1	43484733004R2
RN8058	C-R NET	RM7LJ330X04	1	43484733004R2
RN8059	C-R NET	RM7LJ330X04	1	43484733004R2
RN8060	C-R NET	RM7LJ330X04	1	43484733004R2
RN8061	C-R NET	RM7LJ330X04	1	43484733004R2
RN8062	C-R NET	RM7LJ680X04	1	43484768004R2
RN8063	C-R NET	RM7LJ470X04	1	43484747004R2
RN8064	C-R NET	RM7LJ680X04	1	43484768004R2

RN8065	C-R NET	RM7LJ470X04	1	43484747004R2
RN8066	C-R NET	RM7LJ680X04	1	43484768004R2
RN8067	C-R NET	RM7LJ470X04	1	43484747004R2
RN8068	C-R NET	RM7LJ680X04	1	43484768004R2
RN8069	C-R NET	RM7LJ470X04	1	43484747004R2
RN8070	C-R NET	RM7LJ680X04	1	43484768004R2
RN8071	C-R NET	RM7LJ680X04	1	43484768004R2
RN8072	C-R NET	RM7LJ470X04	1	43484747004R2
RN8073	C-R NET	RM7LJ680X04	1	43484768004R2
RN8074	C-R NET	RM7LJ470X04	1	43484747004R2
RN8075	C-R NET	RM7LJ680X04	1	43484768004R2
RN8076	C-R NET	RM7LJ680X04	1	43484768004R2
RN8077	C-R NET	RM7LJ680X04	1	43484768004R2
RN8078	C-R NET	RM7LJ680X04	1	43484768004R2
RN8079	C-R NET	RM7LJ680X04	1	43484768004R2
RN8080	C-R NET	RM7LJ680X04	1	43484768004R2
RN8081	C-R NET	RM7LJ680X04	1	43484768004R2
RN8082	C-R NET	RM7LJ680X04	1	43484768004R2
RN8083	C-R NET	RM7LJ680X04	1	43484768004R2
RN8087	C-R NET	RM7LJ103X04	1	43484710304R2
RN8088	C-R NET	RM7LJ103X04	1	43484710304R2
RN8703	C-R NET	RM7LJ680X04	1	43484768004R2
RN8704	C-R NET	RM7LJ680X04	1	43484768004R2
RN8705	C-R NET	RM7LJ680X04	1	43484768004R2
RN8706	C-R NET	RM7LJ680X04	1	43484768004R2
<b>[SW TRM]</b>				
JL3201	WIRE TRAP	NPLG-5P588	1	25055626
JL3889B	SOCKET	NSCT-5P97	1	25050269
JL8002B	SOCKET	NSCT-5P97	1	25050269
P3001	SOCKET(B to B)	IMSA-9850S-20Y900	1	25052813R2
P3101A	PLUG	NPLG-5P918	1	25055965R2
P3102A	SOCKET	NSCT-9P2472	1	25052575R2
P3103A	SOCKET	YKF45-0029N	1	25053242

P3104	SOCKET	SI-60073-F	1	25053307	
P3104 or	SOCKET	J0026D21NL	( 1)	25053250	
P3605A	PLUG	IMSA-9142B-18A	1	25056599	
P3606A	PLUG	IMSA-9142B-8A	1	25056594	N
P3607A	PLUG	IMSA-9142B-16A	1	25056598	
P3608A	PLUG	IMSA-9142B-18A	1	25056599	
P4104A	SOCKET	NSCT-31P2124	1	25052227	
P8002B	SOCKET	NSCT-11P2474	1	25052577R2	
P8100	TRM-423(SCREW)	NEJITANSI ST3	1	25060495	
P8301	SOCKET	YKF45-7037V	1	25053253R3	
P8302	SOCKET	YKF45-7037V	1	25053253R3	
P8321	SOCKET	YKF45-7037V	1	25053253R3	
P8341	SOCKET	YKF45-7037V	1	25053253R3	
P8352	SOCKET	YKF45-7037V	1	25053253R3	
P8500	PWB	BCHDM-0157	1	25140157C	N
P8601	SOCKET	YKF45-7037V	1	25053253R3	
P8611	SOCKET	YKF45-7037V	1	25053253R3	
P8621	SOCKET	YKF45-7037V	1	25053253R3	
P8631	SOCKET	YKF45-7037V	1	25053253R3	
P8641B	SOCKET	FX16-31S-0.5SH	1	25053365R2	N
P8702	SOCKET	NSCT-9P2472	1	25052575R2	
P8705	SOCKET	IMSA-9618S-04A	1	25053329R2	
P8705 or	SOCKET	04FMN-SMT-A-TF	( 1)	25052821R2	

**DHC-80.1**

<b>U008</b>	<b>U0080+U0081+U0082</b>	<b>BAAF-0242-1A *</b>	<b>1</b>	<b>1B234542-1A</b>	<b>N</b> <B MDD>
<b>U0080</b>	<b>BALANCE INPUT PC BOARD AS</b>	<b>BAAF-0242-1A</b>	<b>1</b>	<b>1B2345242-1A</b>	<b>N</b> <B MDD>
<b>U0081</b>	<b>PRIMARY POWER SUPPLY PC BOARD</b>	<b>BAPS-0243-1A</b>	<b>1</b>	<b>1B2345243-1A</b>	<b>N</b> <B MDD>
<b>U0082</b>	<b>INLET PC BOARD AS</b>	<b>BAPS-0244-1A</b>	<b>1</b>	<b>1B2345244-1A</b>	<b>N</b> <B MDD>

CIRCUIT. NO.	PART NAME	DESCRIPTION	Q'TY	PART NO. (SN)	REMARKS
	<b>[SEMI CONDUCTOR]</b>				

D5700	ZENER D	MTZJ5.1B	1	224470512T	
D5701	ZENER D	MTZJ5.1B	1	224470512T	
D9000	DIODE	ISS133	1	223163T	
D9001	DIODE	ISS133	1	223163T	
D9002	DIODE	ISS133	1	223163T	
D9003	DIODE	ISS133	1	223163T	
D9004	DIODE	ISS133	1	223163T	
D9005	DIODE	ISS133	1	223163T	
D9006	DIODE	ISS133	1	223163T	
D9007	ZENER D	MTZJ5.1B	1	224470512T	
D9008	DIODE	ISS133	1	223163T	
D9009	DIODE	ISS133	1	223163T	
D9101	DIODE	ISS133	1	223163T	
D9200	DIODE	ISS133	1	223163T	
Q5600	IC	NE5532AP(TI)	1	22242274	
Q5700	IC	TC74HC4052AP	1	22242425	
Q5800	IC	NE5532AP(TI)	1	22242274	
Q9101	TR	2SC1815-GR	1	2211255T	
Q9200	TR	2SC1815-GR	1	2211255T	
<b>[TRANS COIL]</b>					
T9000	P TRANS	NPT-1520JQ	1	2301812A	<B MDD>
T9000	P TRANS	NPT-1520GQ	1	2301813A	<B MMA>
<b>[CAPACITOR]</b>					
C5572	UTSP C	CE04W50V 47M(UTSP)	1	397584707T	
C5573	UTSP C	CE04W50V 47M(UTSP)	1	397584707T	
C5574	UTSP C	CE04W50V 47M(UTSP)	1	397584707T	
C5575	UTSP C	CE04W50V 47M(UTSP)	1	397584707T	
C5576	UTSP C	CE04W50V 47M(UTSP)	1	397584707T	
C5579	UTSP C	CE04W50V 47M(UTSP)	1	397584707T	
C5600	MKT C	B32529C0102J289	1	376491024T	
C5601	MKT C	B32529C0102J289	1	376491024T	
C5610	UTSP C	CE04W50V 47M(UTSP)	1	397584707T	
C5611	UTSP C	CE04W50V 47M(UTSP)	1	397584707T	

C5620	UTSP C	CE04W50V 47M(UTSP)	1	397584707T	
C5621	UTSP C	CE04W50V 47M(UTSP)	1	397584707T	
C5630	UTSP C	CE04W25V-100M(UTSP)	1	397551017T	
C5631	UTSP C	CE04W25V-100M(UTSP)	1	397551017T	
C5640	UTSP C	CE04W50V 47M(UTSP)	1	397584707T	
C5641	UTSP C	CE04W50V 47M(UTSP)	1	397584707T	
C5700	UTSP C	CE04W25V-100M(UTSP)	1	397551017T	
C5701	UTSP C	CE04W25V-100M(UTSP)	1	397551017T	
C5800	UTSP C	CE04W50V 47M(UTSP)	1	397584707T	
C5801	UTSP C	CE04W50V 47M(UTSP)	1	397584707T	
C5802	UTSP C	CE04W25V-100M(UTSP)	1	397551017T	
C5803	UTSP C	CE04W25V-100M(UTSP)	1	397551017T	
C9000	TF C	ECQ-V50V-223J	1	374722234T	
C9001	VR C	CE04W16V-2200M(VR)	1	394642227S	<B MMA>
C9001	VR C	CE04W25V-2200M(VR)	1	394652227S	<B MDD>
C9002	UTSP C	CE04W50V-4.7M(UTSP)	1	397580477T	
C9008	VR C	CE04W16V-470M(VR)	1	394644717T	
C9108	PLA C	MKP R46 104M	1	3800041S	
C9116	TF C	ECQ-V50V-103J	1	374721034T	
C9119	TF C	ECQ-V50V-223J	1	374722234T	
C9201	TF C	ECQ-V50V-103J	1	374721034T	
<b>[RESISTOR]</b>					
R5600	CARBON R	R16J-100	1	417341014T	
R5601	CARBON R	R16J-100K	1	417341044T	
R5610	CARBON R	R16J-100	1	417341014T	
R5611	CARBON R	R16J-100K	1	417341044T	
R5620	CARBON R	R16J-10K	1	417341034T	
R5621	CARBON R	R16J-10K	1	417341034T	
R5630	CARBON R	R16J-10K	1	417341034T	
R5631	CARBON R	R16J-10K	1	417341034T	
R5640	CARBON R	R16J-10K	1	417341034T	
R5641	CARBON R	R16J-10K	1	417341034T	
R5650	CARBON R	R16J-10K	1	417341034T	



R5651	CARBON R	R16J-10K	1	417341034T	
R5660	CARBON R	R16J-10K	1	417341034T	
R5661	CARBON R	R16J-10K	1	417341034T	
R5670	CARBON R	R16J-10K	1	417341034T	
R5671	CARBON R	R16J-10K	1	417341034T	
R5680	CARBON R	R16J-470K	1	417344744T	
R5681	CARBON R	R16J-470K	1	417344744T	
R5690	CARBON R	R16J-470K	1	417344744T	
R5691	CARBON R	R16J-470K	1	417344744T	
R5700	CARBON R	R16J-1.5K	1	417341524T	
R5701	CARBON R	R16J-1.5K	1	417341524T	
R5704	CARBON R	R16J-10K	1	417341034T	
R5800	CARBON R	R16J-100	1	417341014T	
R5801	CARBON R	R16J-100	1	417341014T	
R9005	CARBON R	R16J-27	1	417342704T	
R9107	CARBON R	R16J-1K	1	417341024T	
R9108	CARBON R	R16J-100K	1	417341044T	
R9109	CARBON R	R16J-180	1	417341814T	
R9200	CARBON R	R16J-1K	1	417341024T	
R9201	CARBON R	R16J-100K	1	417341044T	
R9202	CARBON R	R16J-100	1	417341014T	
<b>[SW TRM]</b>					
E9000	TRM-423(SCREW)	NEJITANSI ST3	1	25060495	
E9100	TRM-423(SCREW)	NEJITANSI ST3	1	25060495	
JL4001B	WIRE TRAP	NPLG-3P586	1	25055624	
JL5113A	WIRE HOL	NSCT-9P900	1	25051113	
JL5114A	WIRE HOL	NSCT-3P894	1	25051107	
JL901A	WIRE HOL	NSCT-7P878	1	25051091	
P007	PWB	BCAF-0242	1	25140242C	N
P008	PWB	BCPS-0243	{ 1}	25140243	N
P009	PWB	BCPS-0244	{ 1}	25140244	N
P3101B	SOCKET	IMSA-9142S-26A	1	25053235	
P5600	SOCKET	NSCT-3P2649	1	25052753	

P5601	SOCKET	NSCT-3P2649	1	25052753	
P6851B	SOCKET	IMSA-9142S-26A	1	25053235	
P7013A	PLUG	NPLG-9P0964	1	25056014	
P9000	AC INLET	NPLG-2P913	1	25055960	<B MDD>, <B MMA>
P9006	CRIMP AS	CRIMP AS	1	206CC45159UL	
P9007	CRIMP AS	CRIMP AS	1	206CC45150UL	
P9008A	PLUG	NPLG-2P631	1	25055675	<B MMA>
P9100	PLUG	NPLG-2P632	1	25055676	
P9200	PLUG	NPLG-2P632	1	25055676	
P9300	PLUG	NPLG-2P632	1	25055676	
RL9101	RELAY	NRL-1P5A-DC9-179	1	25065669	
RL9200	RELAY	NRL-1P5A-DC9-179	1	25065669	

**DHC-80.1**

**U0101 FRONT HDMI/USB PC BOARD AS BAHDM-0291-1B 1 1B2345291-1B**

CIRCUIT. NO.	PART NAME	DESCRIPTION	Q'TY	PART NO. (SN)	REMARKS
<b>[SEMI CONDUCTOR]</b>					
D3300	C-DIODE	KDS4148U	1	223283R2	
D3300 or	C-DIODE	1SS352	( 1)	223234R2	
D3301	C-DIODE	KDS4148U	1	223283R2	
D3301 or	C-DIODE	1SS352	( 1)	223234R2	
D8861	C-DIODE	KDS4148U	1	223283R2	
D8861 or	C-DIODE	1SS352	( 1)	223234R2	
D8862	C-DIODE	KDS4148U	1	223283R2	
D8862 or	C-DIODE	1SS352	( 1)	223234R2	
Q3300	IC	TPD2E001DRLR	1	22242589R2	
Q8861	IC	TMDS141RHARG4	1	22242586R2	
<b>[TRANS COIL]</b>					
L8861	CORE	BLM18PG181SN1D	1	2350005R1	
<b>[CAPACITOR]</b>					
C3302	C-FILM C	ECHU16V-104J	1	373041044R2	

C3303	C-FILM C	ECHU16V-104J	1	373041044R2	
C3304	C-CERA C	CK725F1A-105Z1	1	332181050R1	
C8861	C-FILM C	ECHU16V-104J	1	373041044R2	
C8863	C-CERA C	CK725F1A-105Z1	1	332181050R1	
C8864	C-CERA C	CK725B1H-102K1	1	332101025R1	
C8869	C-CERA C	CK725F1A-105Z1	1	332181050R1	
C8870	C-CERA C	CK725B1H-102K1	1	332101025R1	
C8871	C-CERA C	CK725F1A-105Z1	1	332181050R1	
C8872	C-CERA C	CK725B1H-102K1	1	332101025R1	
C8873	C-CERA C	CK725F1A-105Z1	1	332181050R1	
C8874	C-CERA C	CK725B1H-102K1	1	332101025R1	
C8875	C-CERA C	CK725F1A-105Z1	1	332181050R1	
C8876	C-CERA C	CK725B1H-102K1	1	332101025R1	
C8877	C-CERA C	CK725B0J-106K	1	332091065R2	
C8880	C-CERA C	CK725B0J-106K	1	332091065R2	
<b>[RESISTOR]</b>					
R3331	C-CARBON R	RN72K1J-000JE	1	435030004R1	
R8867	C-CARBON R	RN72K1J-473JE	1	435034734R1	
R8868	C-CARBON R	RN72K1J-473JE	1	435034734R1	
R8869	C-CARBON R	RN72K1J-000JE	1	435030004R1	
R8870	C-CARBON R	RN72K1J-000JE	1	435030004R1	
R8872	C-CARBON R	RN72K1J-103JE	1	435031034R1	
R8873	C-CARBON R	RN72K1J-472JE	1	435034724R1	
R8874	C-CARBON R	RN72K1J-103JE	1	435031034R1	
R8875	C-CARBON R	RN72K1J-103JE	1	435031034R1	
R8876	C-CARBON R	RN72K1J-103JE	1	435031034R1	
R8880	C-CARBON R	RN72K1J-000JE	1	435030004R1	
R8881	C-CARBON R	RN72K1J-000JE	1	435030004R1	
<b>[SW TRM]</b>					
E8861	TRM	NTM-1P233(M1969)	1	25060302	
P010	PWB	BCHDM-0290	1	25140290B	N
P011	PWB	BCHDM-0291	{ 1 }	25140291	
P3101C	PLUG	NPLG-5P918	1	25055965R2	

P3305	SOCKET	YKF45-0029N	1	25053242	
P8641D	SOCKET	FX16-31S-0.5SV	1	25053354R2	
P8861	SOCKET	YKF45-7037V	1	25053253R3	
<b>DHC-80.1</b>					
<b>PACKING PROCEDURES PARTS LIST</b>					
REF. NO.	PART NAME	DESCRIPTION	Q'TY	PART NO. (SN)	REMARKS
<b>[PACKING]</b>					
A701	SHEET	T0.515*1300*900	1	29096066	<B>
A705	POLY BAG	(W1020xD770)	1	29100253	<B>
A706	POLY BAG	w500xd650	1	29100249	<B>
A707	TAPE	(SEROHAN)NITTO NO.29	1	29110149	<B>
A711	CARTON	C80.1	1	29055033A	N <B MDD, MMA>
A713	PAD	(AS)	1	29092475C	<B>
A717	SHEET	(ACC)	1	29096104	<B>
A719	STAPLE	FUKAN-BARI(1000KO)	4	282321	<B>
A721	PP TAPE	W50 SBT-70	1	29110200	<B>
A751A	UPC LABEL	DHC80.1DD	{ 1}	29390898	N <B MDD>
A751A	EAN LABEL	DHC80.1MA	{ 1}	29390901	N <B MMA>
A761	LABEL	(MMA)	2	29390973	<B MMA>
A771	WRNTY CARD	(INTEGRA)	1	29365136	<B MDD>
<b>[ACCESSARY]</b>					
A825	INS MANUAL	En(DHC-80.1)	1	29400076	N <B MDD, MMA>
A831	HANDBILL	(SIRIUS)	1	29380149	<B MDD>
A832	INST SHEET	En(2009E_RIHD)	1	29355745	<B>
A837	INS MANUAL	U9(RC736/737/738/739)	1	29344962	<B>
A839	INS MANUAL	U2JaEn(Software_807/HT-RC180)	1	29400164	<B>
A842	INS MANUAL	En(Pand/Rhap/InterSir_INTE)	1	29400168	<B MDD>
A847	INST SHEET	WINDOWS7	1	29355775	N <B>

A853	HANDBILL	(UP-A1)US	1	29380155	<B MDD>
A861	POLY BAG	w250xd350	1	29100250A	<B>
A890	REMO CON	RC-746M	1	24140746	<B MDD, MMA>
A891	BATTERY	R6/AA(UM-3)	2	3010194	<B MDD, MMA>
A891or	BATTERY	R6/AA(UM-3)	( 2)	3010054	<B MDD, MMA>
A892	ANT COIL	NMA-3057	1	232140	<B MDD, MMA>
A893	FM ANT AS	Type W	1	292191	<B MDD, MMA>
A894	MIC	MIC-7000	1	245044	<B>
P901	AC CORD	AS-UC-2	1	253301VOL	<B MDD>
P901	AC CORD	AS-SAA	1	253391VOL	<B MMA>

---

Integra Division of

**ONKYO CORPORATION**

Service Dept. Technical Support : 2-1, Nisshin-cho, Neyagawa-shi, OSAKA 572-8540, JAPAN

Tel: 072-831-8023 Fax: 072-831-8163 <http://www.onkyo.com/>

Integra Division of

**ONKYO U.S.A. CORPORATION**

18 Park Way, Upper Saddle River, N.J. 07458, U.S.A.

Tel: 201-785-2600 Fax: 201-785-2650 <http://www.integrahometheater.com>