

SERVICE MANUAL

P O W E R
AMPLIFIER

C-800/1200

interM

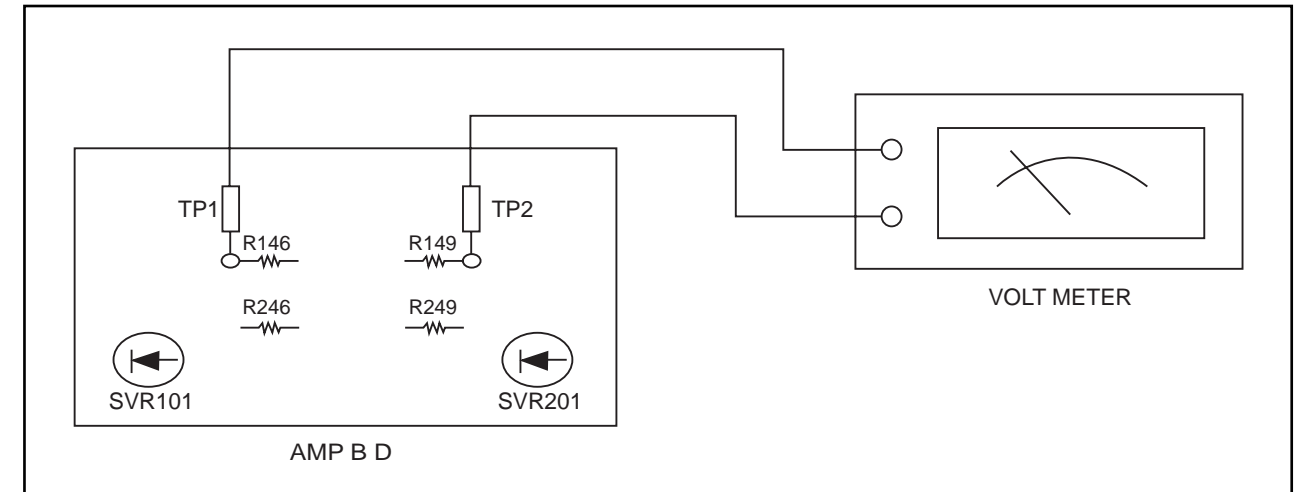
<http://www.inter-m.com>
MADE IN KOREA
NO: 9007979650

interM

ELECTRICAL ADJUSTMENT PROCEDURE

■ IDLE CURRENT

- A. Setting
Set the master volume minimum.
- B. Connection



- C. Adjustment
 - Adjust SVR101, SVR201 so that the current through the R146, R149, R246, R249 become 10 milliamperes.
 - When that voltage across the Positive "TP" to Negative "TP" becomes 10 millivolt, the current becomes 21 milliamperes.

CONTENTS

Electrical Adjustment Procedure	1
Specifications	2
Electrical Parts List	3, 4
Top and Bottom View of P.C. Board	5, 6
Wiring Diagram	7
Block Diagram	8
Schematic Diagram	9, 10, 11, 12
Exploded View of Cabinet & Chassis / Mechanical Parts List	13, 14
Ass'y Drawing	15, 16

SPECIFICATIONS

	C-800	C-1200
Power Output Level f=1kHz, THD+N≤5% (Typical) STEREO RL=8Ω BRIDGED RL=4Ω One Channel Driven f=1kHz THD+N≤5% RL=8Ω	250W+250W 400W+400W 800W 250W	350W+350W 600W+600W 1200W 350W
Frequency Response RL=8Ω, P.=1W	0dB+0.5, -1.5dB: f=15~55kHz	
Power Bandwidth Half Power, THD+N≤0.1% STEREO RL=8Ω	10Hz~40kHz	
Total Harmonic Distortion (THD+N) f=20Hz~20kHz, Half Power STEREO RL=8Ω BRIDGED RL=4Ω	≤ 0.1% ≤ 0.1% ≤ 0.1%	
Channel Separation Half Power RL=8Ω, f=1kHz, ATT. max. Input 600Ω shunt	≥ 75dB	
Residual Noise (DIN Audio Filter)	≤ -60dB: ATT min.	
Signal-to-Noise Ratio DIN Audio, Input 600Ω Shunt	≥95dB	
Damping Factor RL=8Ω, f=1kHz	≥100	
Slew Rate 8Ω Full Swing STEREO BRIDGED	±40V/μs	
Sensitivity (ATT max.) Rated Power into 4Ω 1kHz	0±2dBm	
Voltage Gain (ATT max.) 4Ω 1kHz	33±2dB	35±2dB
Input Impedance (ATT max.)	≥ 20kΩ (Balance/Unbalance)	
Indicators	Power (Red) Protection (Mute) x 2 (Red) Clip x 2 (Orange) Signal x 4 (Green)	
Protection	Power SW ON/OFF muting Heatsink Temp ≥ 100°C (212°F)	
PC Limiter	RL < 2Ω	
Fan Circuit	-50°C (122°F)~60°C (140°F)~ Low-Speed - Variable - Hi-Speed	
Controls	(Front) Power SW: Push up On/Push down Off (Rear) Attenuator: Level Mode SW: Bridged/STEREO Low Cut SW, High Cut SW	
Power Source	AC 110V~240V, 50/60Hz	
Power Consumption	550W	810W
Weight	13.8kg	18.4kg
Dimensions	482(W) × 132(H) × 369(D) mm	
Connectors	Input / Output: Barrier Strip	

0dB=0.775 Vrms, Half Power=1/2 Power Output Level (Rated Power)

* Using reactive 2Ω speakers at high power levels may cause overheating, excessive power consumption, and shutdowns. Please note that below 2Ω the PC limiter will work. Before using 2Ω speakers in a real application, test the system completely.

* Specifications and design subject to change without notice for improvements.

ELECTRICAL PARTS LIST

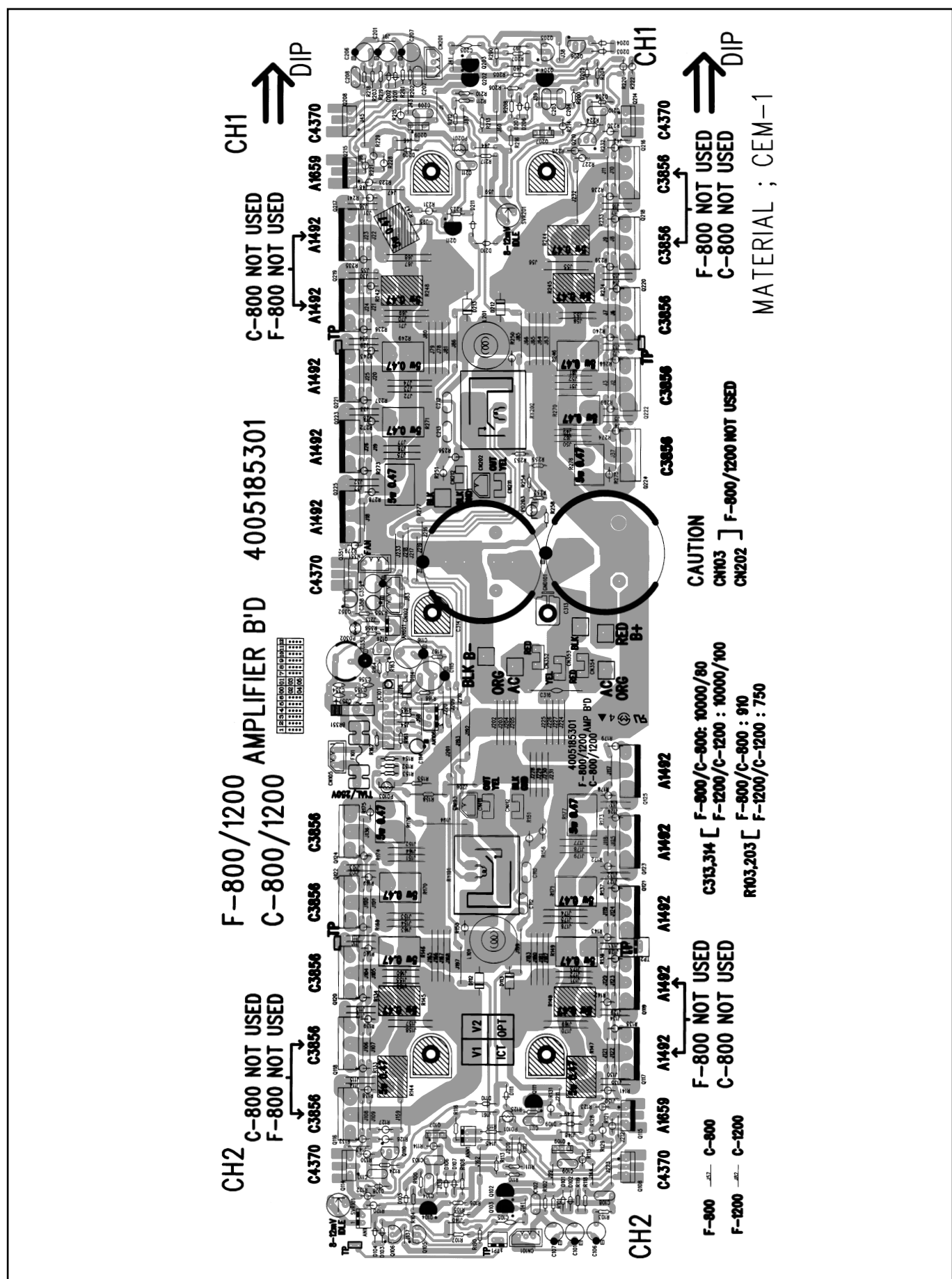
Ref No.	Part No.	Description	Value
AMP B'D (4005185301)			
Q107 Q207	2008005999	TR PNP 2SA 1546 NEC	2SA1546
Q109 Q209	2008405999	TR NPN 2SC 4001 NEC	2SC4001
Q115 Q215	2028107984	TR PNP 2SA 1306A(Y),KTA1659A(Y)	KTA 1659A
Q121 Q123	2028117994	TR PNP 2SA 1492 W/ACC	2SA 1492
Q125 Q221			
Q223 Q225			
Q117 Q119	2028117994	TR PNP 2SA 1492 W/ACC(C-1200 ONLY)	2SA 1492
Q217 Q219	2028117994	TR PNP 2SA 1492 W/ACC(C-1200 ONLY)	2SA 1492
Q108 Q114	2028407990	TR NPN 2SC 3298A(Y),KTC4370A(Y)	2SC 4370
Q214			
Q351	2028407990	TR NPN 2SC 3298A(Y),KTC4370A(Y)	KTC 4370
Q120 Q122	2028427998	TR 2SC 3856 W/ACC	2SC 3856
Q124 Q220	2028427998	TR 2SC 3856 W/ACC	2SC 3856
Q116 Q118	2028427998	TR 2SC 3856 W/ACC(C-1200 ONLY)	2SC 3856
Q216 Q218			
Q222 Q224			
D7	2058100103	DIODE KBPC-2504(SB256)LUG TYPE	PBU2504
D112 D113	2058100110	DIODE PS2010 PYUNG CHANG	PS 2010
D212 D213			
BD351	2058100987	DIODE BRIDGE (KPBP) 152	KPBP 152
D114	2058100996	DIODE RECTIFIER LT1N4006(4007)	1N 4006
D101 - D109	2058304100	DIODE IN4148	1N 4148
D201 - D209			
D110 - D111	2058322100	DIODE 1SS145 ROHM	ISS 142
D210 - D211			
IC101	2118050410	IC TA7317P TOSHIBA	TA7317P
PO101	2438007994	POSISTOR PTH 59F04 BE471TS	500
PO201			
PO103	2438009992	POSISTOR P42 T70330 B04200MM	330
PO203			
PO302	2438007995	POSISTOR PTH 9M04 BH 471TS 2F	
L101 L201	2648099940	COIL INDUCTOR 1.2UM	1.2uH
R118 - R119	3002220953	RES CF 22K 1/5W F N	22K 1%
R218 - R219			
R113 R213	3009100973	RES CF 10 1/5W J N	10
R106 R206	3009102973	RES CF 1K 1/5W J N	1K
R356			
R155 R158	3009104973	RES CF 100K 1/5W J N	100K
R162 R255			
R258			
R355	3009122973	RES CF 1.2K 1/5W J N	1.2K
R105 R205	3009123973	RES CF 12K 1/5W J N	12K
R116 R216	3009182973	RES CF 1.8K 1/5W J N	1.8K
R154 R254	3009184973	RES CF 180K 1/5W J N	180K
R107 R207	3009221973	RES CF 220 1/5W J N	220
R152 R153	3009223973	RES CF 22K 1/5W J N	22K
R163 R164			
R166 R167			
R252 R253			
R190 R290	3009224973	RES CF 220K 1/5W J N	220K
R101 R201	3009271973	RES CF 270 1/5W J N	270
R117 R217	3009471973	RES CF 470 1/5W J N	470
R102 R202	3009473973	RES CF 47K 1/5W J N	47K
R100 R104	3009561973	RES CF 560 1/5W J N	560
R108 R200			
R204 R208			
R110 - 111	3009683973	RES CF 68K 1/5W J N	68K
R112 R124			
R125 R210			
R211 R212			
R224 R225			
R103 R203	3009911973	RES CF 910 1/5W	910
R103 R203	3009751973	RES CF 750 1/5W(C-1200 ONLY)	750
R161 R165	3009822973	RES CF 8.2K 1/5W J N	8.2K
R146 R149	3049478783	RES CE 0.47 5W J T HAN NAE	0.47 5W
R170 - 171			
R176 - 177			
R246 R249			
R270 - 271			
R276 - 277			
R144 - R145	3049478783	RES CE 0.47 5W J T HAN NAE(C-1200 ONLY)	0.47 5W
R147 - R148	3049478783	RES CE 0.47 5W J T HAN NAE(C-1200 ONLY)	0.47 5W
R244 - R255	3049478783	RES CE 0.47 5W J T HAN NAE(C-1200 ONLY)	0.47 5W
R247 - R248	3049478783	RES CE 0.47 5W J T HAN NAE(C-1200 ONLY)	0.47 5W

Ref No.	Part No.	Description	Value
R140 R143	3079101275	RES ERD-2FCVG 101T 1/4W R	FR 100
R169 R172			
R175 R178			
R240 R243			
R269 R272			
R275 R278			
R138 - R139	3079101275	RES ERD-2FCVG 101T 1/4W R(C-1200 ONLY)	FR 100
R141 - R142	3079101275	RES ERD-2FCVG 101T 1/4W R(C-1200 ONLY)	FR 100
R238 - R239	3079101275	RES ERD-2FCVG 101T 1/4W R(C-1200 ONLY)	FR 100
R241 - R242	3079101275	RES ERD-2FCVG 101T 1/4W R(C-1200 ONLY)	FR 100
R120 - 121	3089100275	RES NFR 10 1/4W J R PHILKO	FR 10
R220 - 221			
R122 - 123	3089221275	RES NFR 220 1/4W J R PHILKO	FR 220
R126 - 129			
R222 - 223			
R226 - 229			
R130 - 131	3089332275	RES NFR 3.3K 1/4W J R PHILKO	FR 3.3K
R230 - 231			
R134 R137	3089479275	RES NFR 4.7 1/4W J R PHILKO	FR 4.7
R168 R173			
R174 R179			
R234 R237			
R268 R273			
R274 R279			
R132 - R133	3089479275	RES NFR 4.7 1/4W J R PHILKO(C-1200 ONLY)	FR 4.7
R135 - R136	3089479275	RES NFR 4.7 1/4W J R PHILKO(C-1200 ONLY)	FR 4.7
R232 - R233	3089479275	RES NFR 4.7 1/4W J R PHILKO(C-1200 ONLY)	FR 4.7
R235 - R236	3089479275	RES NFR 4.7 1/4W J R PHILKO(C-1200 ONLY)	FR 4.7
R114 - 115	3089820275	RES NFR 82 1/4W J R PHILKO	FR 82
R214 - 215			
C353	3408210261	CAP RSG 1000UF 35V SNAP 16 P	1000/35
C313 - C314	3419010345	CAP HC 10000UF 80V	10000/80
C313 - C314	3419510398	CAP AF HM 10000UF 100V 40P LUG(C-1200 ONLY)	10000/100
C316	3619474153	CAP POLY TM 0.47UF 250V	474/250V
C109 C209	3678050177	CAP M1 DM1 C 050D5	050D5
C108 C208	3678220177	CAP M1 DM 5C 220J5	220J5
C102 C202	3688471118	CAP MO SR22C 471JA	471JA
C105 C205	3698152198	CAP NPP POLY 152J 2J	0.0015M
AN106	4355755113	CON ASS'Y 4P (360MM TUBE)	4P
AN601	4355757008	CON ASS'Y 2P	2P
CN101	4428595003	LW5267/LWB0640/2.5MM-03P	
CN201			
CN102	4428595004	LW5267/LWB0640/2.5MM-04P	
AN1	4428599003	WAFER YW025-03	YW025-03P
F352	5508412234	FUSE TS 20MM 1A/250V U/C/S	T1AL/250V
RY101	5528007700	RELAY AZ971 - 1A DC24U	CR323
RY201			
Q104 Q111	2008206104-T	TR PNP KTA 1268BL	A 1268
Q204 Q211			
Q102 - 103	2008206106-T	TR PNP KTA2400G KEC	KTA 2400G
Q202 - 203			
Q105 - 106	2008606108-T	TR NPN KTC2240BL (KTC 3200BL)	C3200
Q110 Q126			
Q205 - 206			
Q352			
Q210	2008606108-T	TR NPN KTC2240BL (KTC 3200BL)	2SC 3200
R151 R156	3039100575-T	RES MO 10 2W JR	10 2W
R251 R256			
R150 R250	3039479575-T	RES MO 4.7 2W J RADIAL	4.7 2W
VR101	3248347110-T	RES SEMI 470 N6S25T1N	IDLE 470B
VR201			
C358	3409210071-T	CAP AF RSG 10UF 50V 5 P	10/50
C106 - 107	3409210141-T	CAP AF RSG 100UF 25V 6 P	100/25
C114 C206			
C207 C359			
C101 C201	3409247041-T	CAP AF RSG 47UF 25V 5 P	47/25
C115 - 116	3409247131-T	CAP AF RSG 470UF 16V	470/16
C354 - 357	3509472530-T	CAP CE F 0.0047UF 50V Z	0.0047/50
C103 - 104	3609104122-T	CAP MA 0.1UF 100V J SMALL	0.1M/100
C112 - 113	3609104122-T	CAP MA 0.1UF 100V J SMALL	0.1M/100
C203 - 204	3609104122-T	CAP MA 0.1UF 100V J SMALL	0.1M/100
C212 - 213	3609104122-T	CAP MA 0.1UF 100V J SMALL	0.1M/100
C110 - 111	3609222120-T	CAP MA 0.0022UF 100V J	0.0022M
C210 - 211	3609222120-T	CAP MA 0.0022UF 100V J	0.0022M

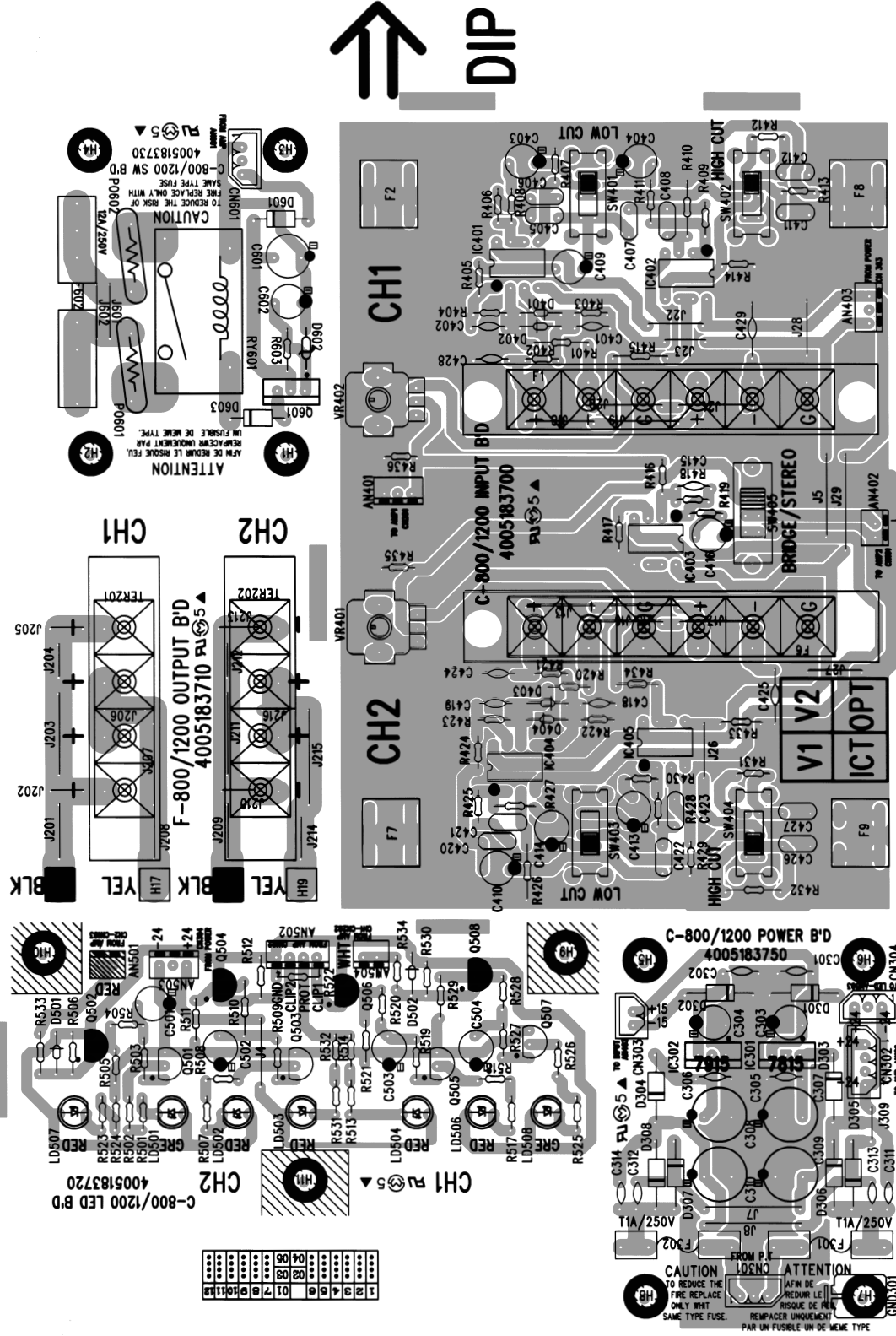
TOP AND BOTTOM VIEW OF P.C. BOARD

Ref No.	Part No.	Description	Value
POWER B'D (4005183750)			
C301 C302 C305 C306	3509104530-T	CAP CE F 0.1UF 50V Z	0.1/50
C303 - 304 C307 - 308	3409210071-T 3408247171	CAP AF RSG 10UF 50V 5P CAP RSA 470UF 50V SNAP 13P	10/50 470/50
C309 - 310 C311 - 314	3409222171-T 3509103450-T	CAP AF RSG 220UF 50V SG 10P CAP CE 0.01UF 500V Z	220/50 0.01
CN301	4428595003	LW5267/LWB0640/2.5MM-03P	3P
D301 - 304	2058100996	DIODE RECTIFIER LT1N4006(4007)	1N4006
F301 - 302	4458999110	FUSE CLIP 5*20	630mA
IC301	2168640988	IC 7815 SAMSUNG	7815
IC302	2168640987	IC 7915 SAMSUNG	7915
INPUT B'D (4005183700)			
AN401	4355761590	CON ASS'Y 2P	2P
AN402	4355761425	CON ASS'Y INPUT 2P(3P)	3P
AN403	4355754804	CON ASS'Y 2P-3P	2P
C401 - 402	3529560311-A	CAP CE SL 56PF 50V J AXIAL	56P
C418 - 419			
C403 - 404 C409 - 410	3409247033-T	CAP CE SE 47UF 16V 3*5	47/16
C416			
C405 - 406 C420 - 421	3609104122-T	CAP MA0.1UF 100V J SMALL	0.1(M)
C407 - 408 C422 - 423	3609473120-T	CAP MA 0.047UF 100V	0.047(M)
C411 C426 C412 C427	3609153120-T 3609333120-T	CAP MA 0.015UF 100V J CAP MA 0.033UF 100V J	0.015(M) 0.033(M)
C413 - 414 C417	3539103521-A	CAP CE YF 10000PF 25V Z AXIAL	0.01
C424 - 425 C429 - C431			
C415	3529220311-A	CAP CE SL 22PF 50V J AXIAL	22P
D401 - 404	2058304100	DIODE 1N4148M	1N4148
IC401 - 405	2118010590	IC NUM4558D JRC	4558D
R401 - 404 R420 - 423	3002150953	RES CF 15K 1/5W F N	15K 1%
R405 R408 R411 R415 R419 R424 R427 R430 R434	3009180973	RES CF 18 1/5W J N	18
R406 R409 R425 R428 R407 R410 R426 R429	3002270953	RES CF 27K 1/5W F N	27K 1%
R412 - 413 R431 - 432	3002560953	RES CF 56K 1/5W F N	56K 1%
R414 R433 R416 - 418 R435 - 436	3009101973	RES CF 100 1/5W J N	100
SW401 SW403	3001100953	RES CF 100K 1/5W F N	100K 1%
SW402 SW404	3003470953	RES CF 4.7K 1/5W F N	4.7K 1%
SW405 VR401 - 402	4618999910 4618999910 4625995610 3228083020	SW SS65010-0203-9H-FN SW SS65010-0203-9H-FN SW SSSU022NB011 (9MM) -LG VR RK0971110A0113B(ROA33)	Low cut High cut Bridge mono 10KB
LED B'D (4005183720)			
AN504	4355754618	CON ASS'Y 2P RED (390MM TUBE)	2P
AN501	4355754715	CON ASS'Y 2P-WHITE(300MM TUBE) 2P	2P
AN502	4355755017	CON ASS'Y 4P (360MM TUBE)	4P
AN503	4355761814	CON ASS'Y 3P(4P)	3P
C501 - 504	3409222871-T	CAP AF RSG 0.22UF 50V 5P	0.22/50
D501 - 502	2058304100	DIODE 1N4148M	1N4148
LD501	2300052105	LED LTL-307G-041A LITEON	SIGNAL 1
LD502	2300050105	ED LTL-307E-041A LITEON	CLIP
LD506 LD504 LD503	2300050105	ED LTL-307E-041A LITEON	PRO
LD505 LD507	2300050105	ED LTL-307E-041A LITEON	BRIDGED POWER
LD508	2300052105	LED LTL-307G-041A LITEON	SIGNAL 2
Q501 Q503 Q505 Q507	2008606104-T	TRPNP KTC 3198Y	C3198Y

Ref No.	Part No.	Description	Value
Q502 Q504 Q506 Q508	2008206105-T	TR PNP KAT 1268	A1268
R501 - 502 R507 - 508 R513 - 518 R523 - 526 R531 - 532	3009152973	RES CF 1.5K 1/5W J N	1.5K
R503 R505 R509 R511 R519 R521 R527 R529	3009223973	RES CF 22K 1/5W J N	22K
R504 R510 R520 R528	3009221973	RES CF 220 1/5W J N	220
R506 R512 R522 R530	3009203973	RES CF 20K 1/5W J N	20K
SW B'D (4005183730)			
C601	3409210171-T	CAP AF RSG 100UF 50V 8P	100/50
C602	3409210141-T	CAP AF RSG 100UF 25V 6P	100/25
CN601	4428595003	LW5267/LWB0640/2.5MM-03P	3P
D601 D604	2058100996	DIODE RECTIFIER LT1N4006(4007)	1N4006
D602	2058502240	DIODE ZENER UZ-24BM(23.1,25.5)	UZ 24BM
F601	5568224533	CIRCUIT BREAKER W28-XQ1A-10A	CIRCUIT BREAKER
PO601 - 602	2438200515	THERMISTOR POWER NTC 5D-15	TH5D-15
Q601	2028406113	TR NPN KTD 2058Y(D880Y)	D2058
R603	3009822973	RES CF 8.2K 1/5W J N	8.2K
RY601	5528009993	RELAY VH-24H O.E.G/TAKAMISAWA	HR-CR6
POWER TRANSFORMER & CIRCUIT BREAKER			
PT1	2828062300	TRANS POWER C-800	120V(E)
PT1	2828062310	TRANS POWER C-800	220V(C)
PT1	2828062320	TRANS POWER C-800	230V(B)
PT1	2828062330	TRANS POWER C-800	240V(D)
PT1	2828062200	TRANS POWER C-1200	120V(E)
PT1	2828062210	TRANS POWER C-1200	220V(C)
PT1	2828062220	TRANS POWER C-1200	230V(B)
PT1	2828062230	TRANS POWER C-1200	240V(D)
F1	5568224833	CIRCUIT BREAKER 1.5A C-800	120V(E)
F1	5568223733	CIRCUIT BREAKER 8A C-800	220-240V(C,B,D)
F1	5568224433	CIRCUIT BREAKER 20A C-1200	120V(E)
F1	5568224533	CIRCUIT BREAKER 10A C-1200	220-240V(C,B,D)

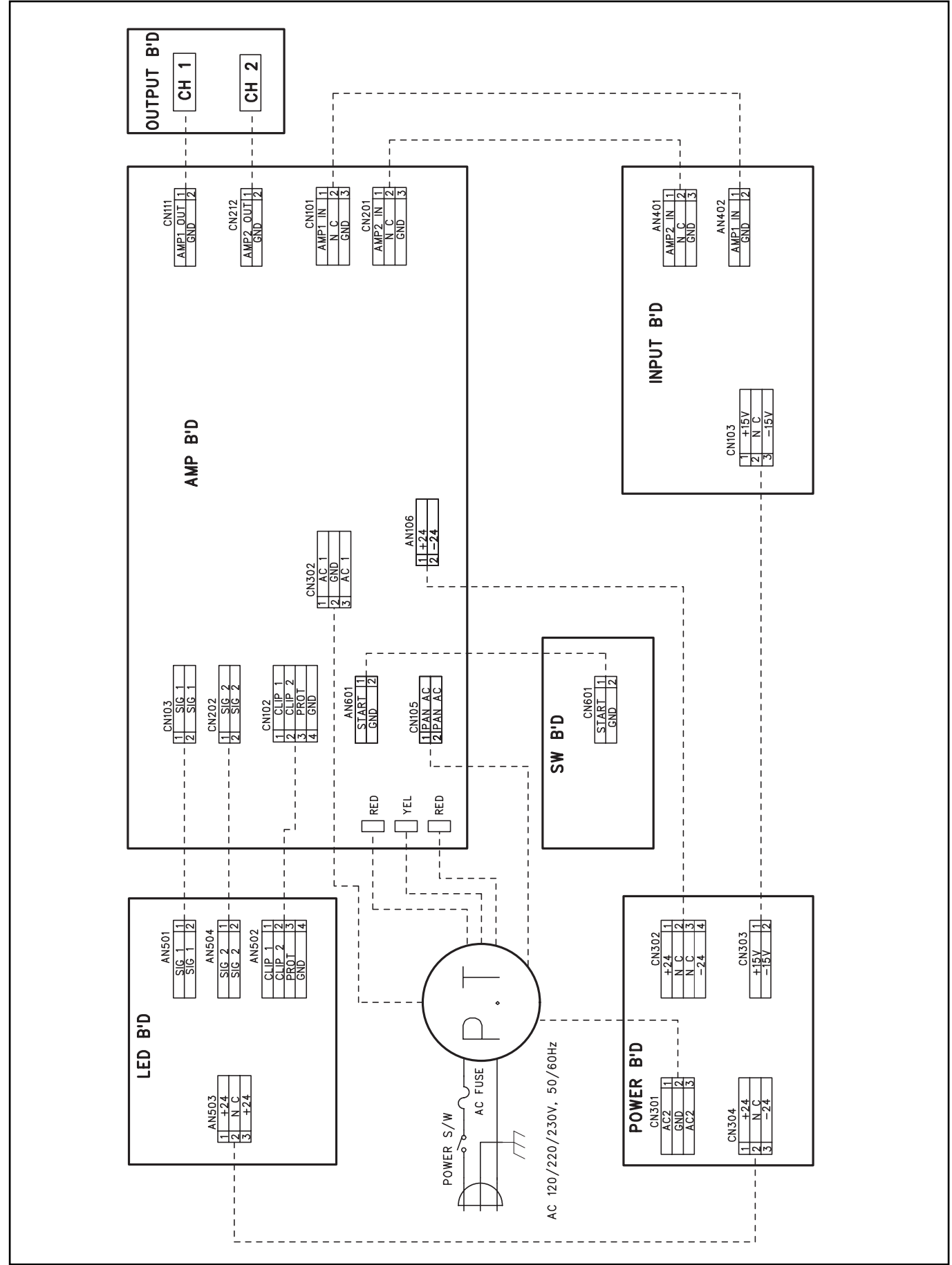


C-800/1200 INPUT B'D 4005183700

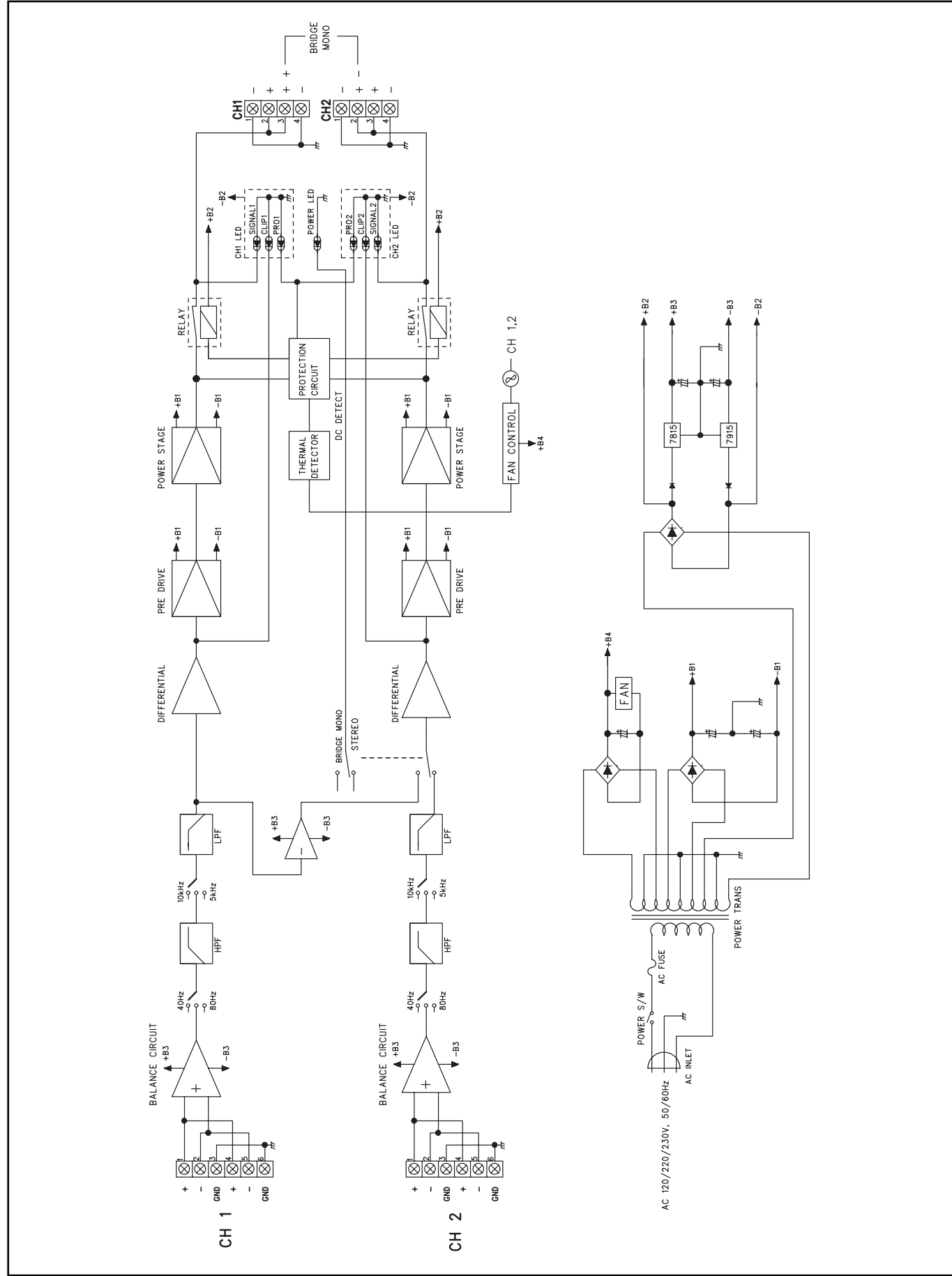


C-800/1200 INPUT B'D 4005183700

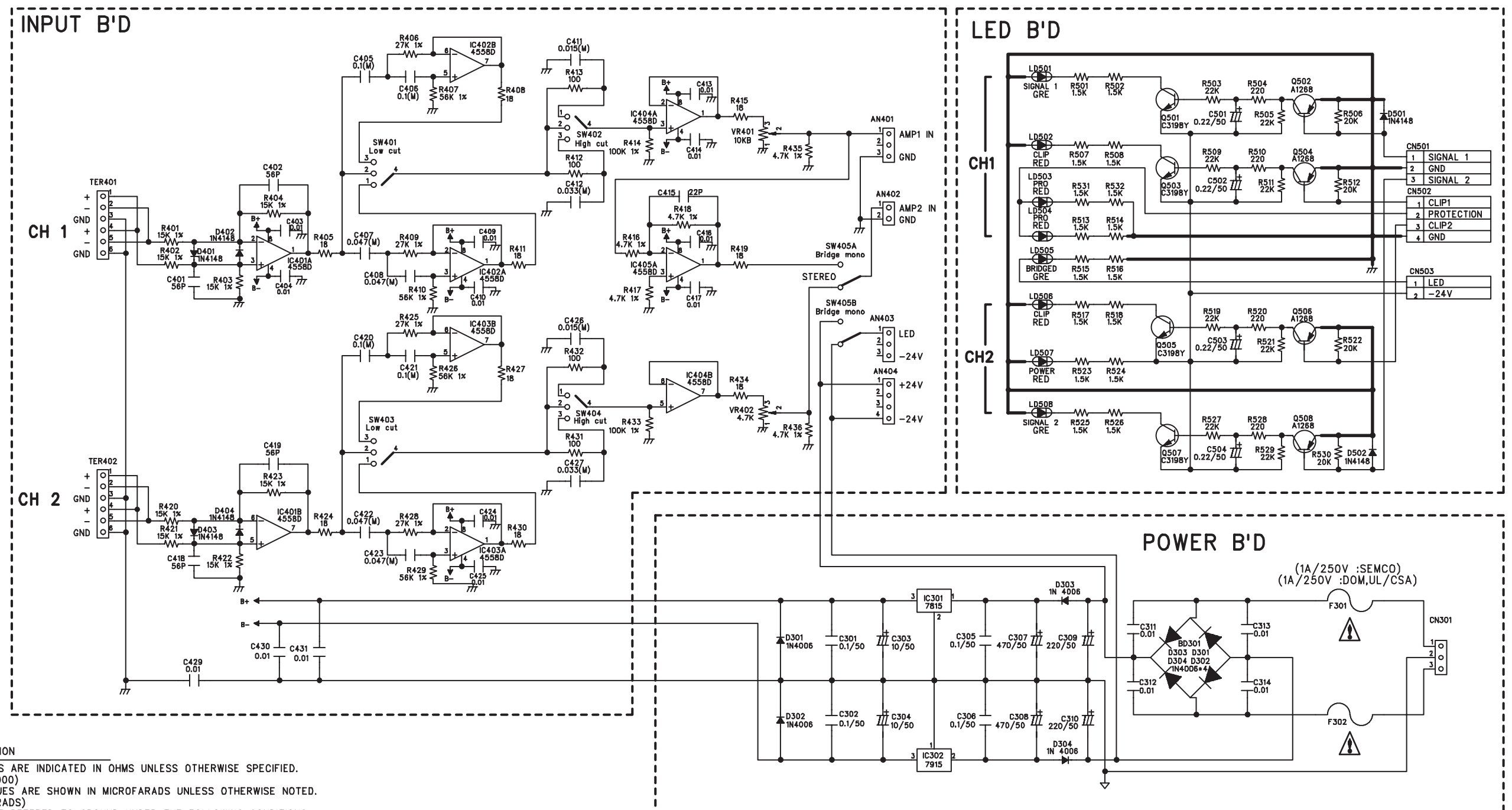
WIRING DIAGRAM





BLOCK DIAGRAM

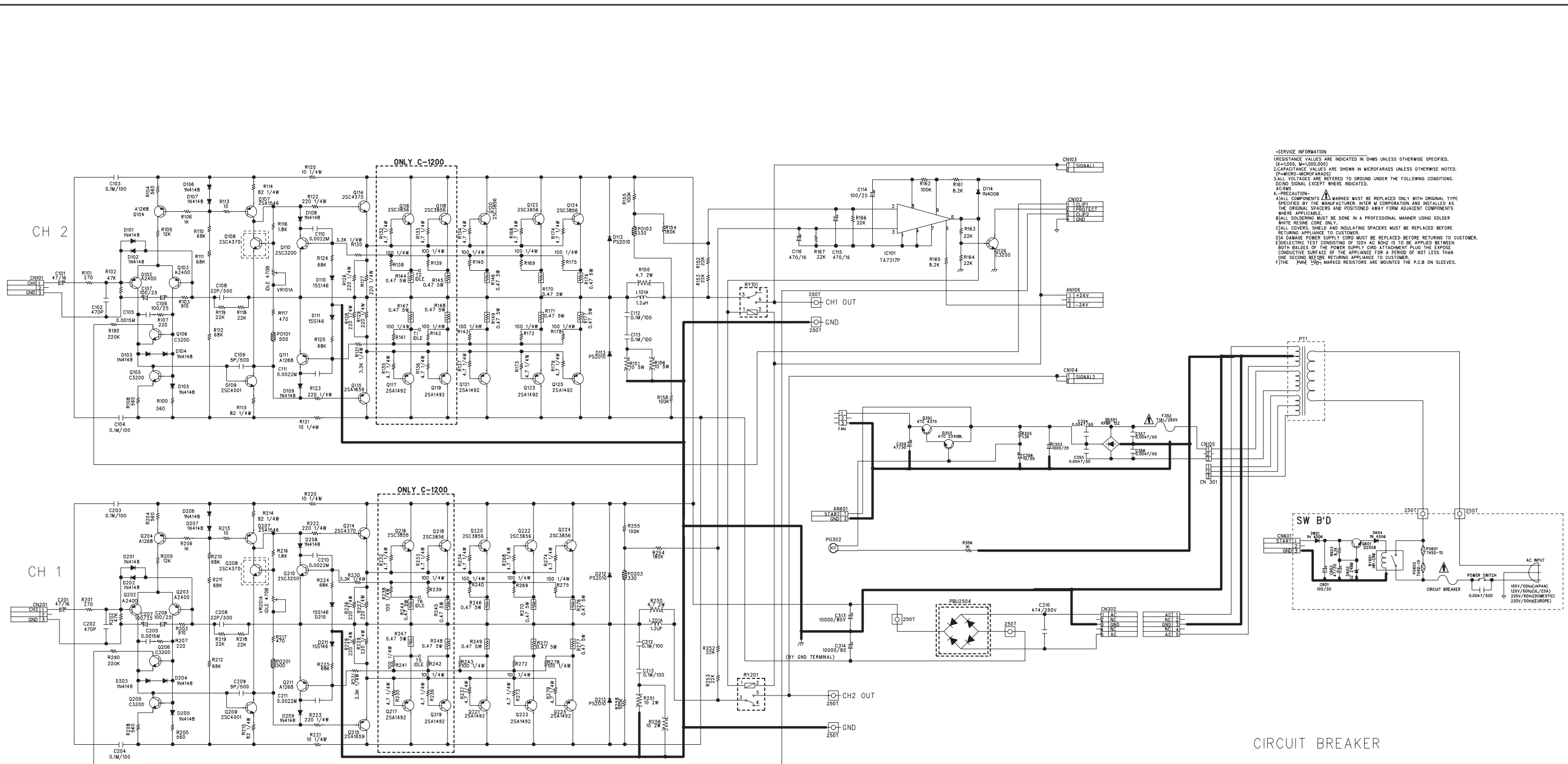


SCHEMATIC DIAGRAM



***SERVICE INFORMATION**

1. RESISTANCE VALUES ARE INDICATED IN OHMS UNLESS OTHERWISE SPECIFIED. (K=1,000, M=1,000,000)
2. CAPACITANCE VALUES ARE SHOWN IN MICROFARADS UNLESS OTHERWISE NOTED. (P=MICRO-MICROFARADS)
3. ALL VOLTAGES ARE REFERRED TO GROUND UNDER THE FOLLOWING CONDITIONS. DC:NO SIGNAL EXCEPT WHERE INDICATED. AC:RMS
4. -PRECAUTION-  MARKED COMPONENTS MUST BE REPLACED ONLY WITH ORIGINAL TYPE SPECIFIED BY THE MANUFACTURER. INTER M CORPORATION AND INSTALLED AS THE ORIGINAL SPACERS AND POSITIONED AWAY FROM ADJACENT COMPONENTS WHERE APPLICABLE.
- B) ALL SOLDERING MUST BE DONE IN A PROFESSIONAL MANNER USING SOLDER WHITE RESINE CORE ONLY.
- C) ALL COVERS, SHIELD AND INSULATING SPACERS MUST BE REPLACED BEFORE RETURNING APPLIANCE TO CUSTOMER.
- D) A DAMAGE POWER SUPPLY CORD MUST BE REPLACED BEFORE RETURNING TO CUSTOMER.
- E) DIELECTRIC TEST CONSISTING OF 120V AC 60HZ IS TO BE APPLIED BETWEEN BOTH BALDES OF THE POWER SUPPLY CIRD ATTACHMENT PLUG THE EXPOSE CONDUCTIVE SURFACE OF THE APPLIANCE FOR A PERIOD OF NOT LESS THAN ONE SECOND BEFORE RETURNING APPLIANCE TO CUSTOMER.
- F) THE  MARKED RESISTORS ARE MOUNTED THE P.C.B ON SLEEVES.



***SERVICE INFORMATION**

1. RESISTANCE VALUES ARE INDICATED IN OHMS UNLESS OTHERWISE SPECIFIED.
(R-120Ω, R-1000Ω, R-10000Ω)

2. CAPACITANCE VALUES ARE SHOWN IN MICROFARADS UNLESS OTHERWISE NOTED.
(P-1MFCR-MICROFARADS)

3. ALL VOLTAGES ARE REFERRED TO GROUND UNDER THE FOLLOWING CONDITIONS:
DC/NO SIGNAL EXCEPT WHERE INDICATED.
AC/NO SIGNAL

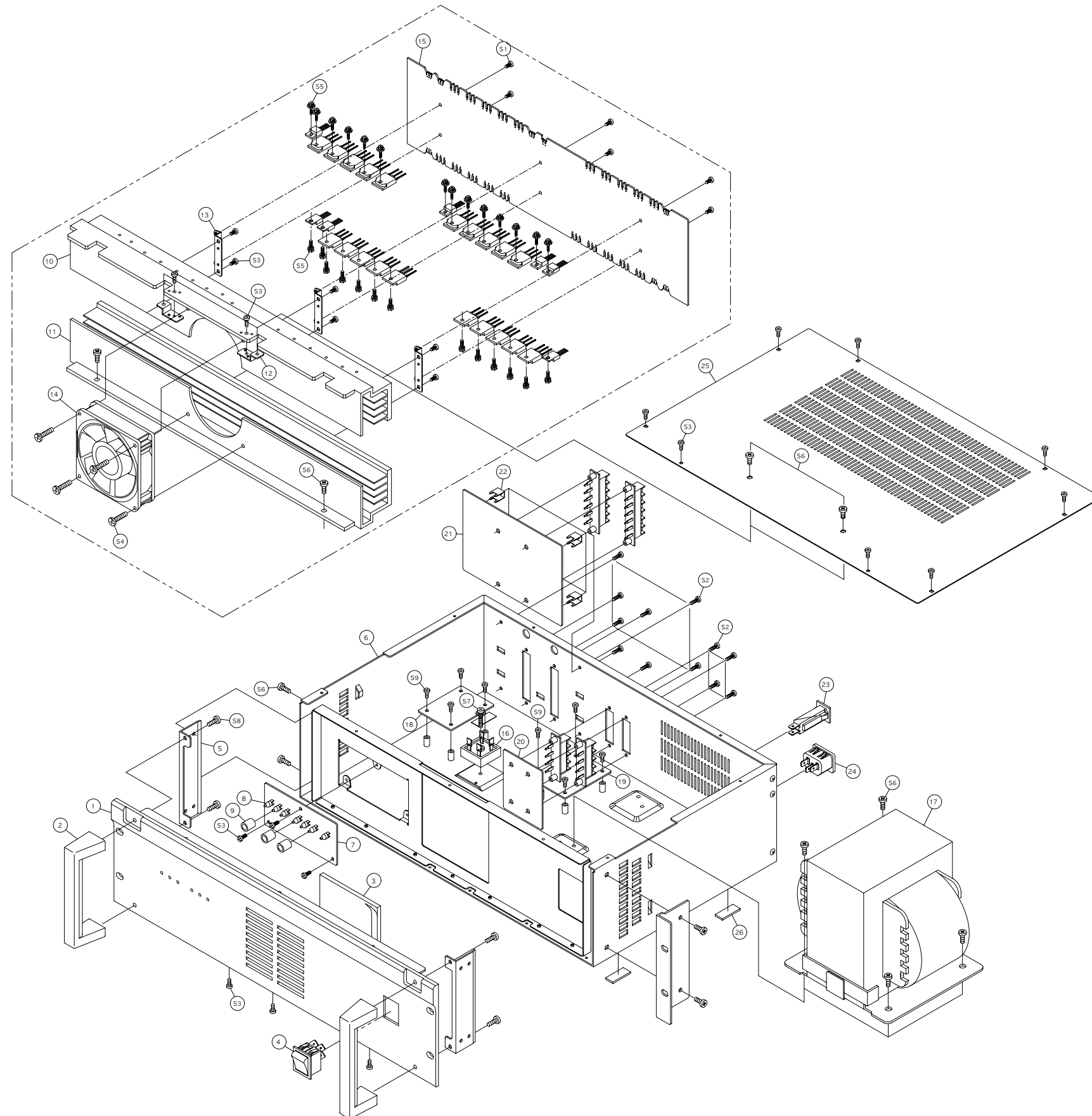
4. PRECAUTION:
ALL COMPONENTS MARKED MUST BE REPLACED ONLY WITH ORIGINAL TYPE SPECIFIED BY THE MANUFACTURER, INTER M CORPORATION AND INSTALLED AS THE ORIGINAL SPACERS AND POSITIONED AWAY FROM ADJACENT COMPONENTS WHERE APPLICABLE.
SOLDERING MUST BE DONE IN A PROFESSIONAL MANNER USING SOLDER WHITE RESIN CORE ONLY.
CABLE COVERS, SHIELD AND INSULATING SPACERS MUST BE REPLACED BEFORE RETURNING APPLIANCE TO CUSTOMER.
ELECTRIC TEST CONSISTING OF 100V AC RING IS TO BE APPLIED BETWEEN BOTH BALDES OF THE POWER SUPPLY CORD ATTACHMENT PLUG THE EXPOSED CONDUCTIVE SURFACE OF THE APPLIANCE FOR A PERIOD OF NOT LESS THAN ONE SECOND BEFORE RETURNING APPLIANCE TO CUSTOMER.
F) THE 1W/50Ω MARKED RESISTORS ARE MOUNTED THE P.C.B ON SLEEVES.

CIRCUIT BREAKER

Ref	C800	C1200
R103	910	750
R203	910	750
C313	10000/80	10000/100
C314	10000/80	10000/100

	C-800	C-1200
120 E	15A	20A
220 C	8A	10A
230 B	8A	10A
240 D	8A	10A

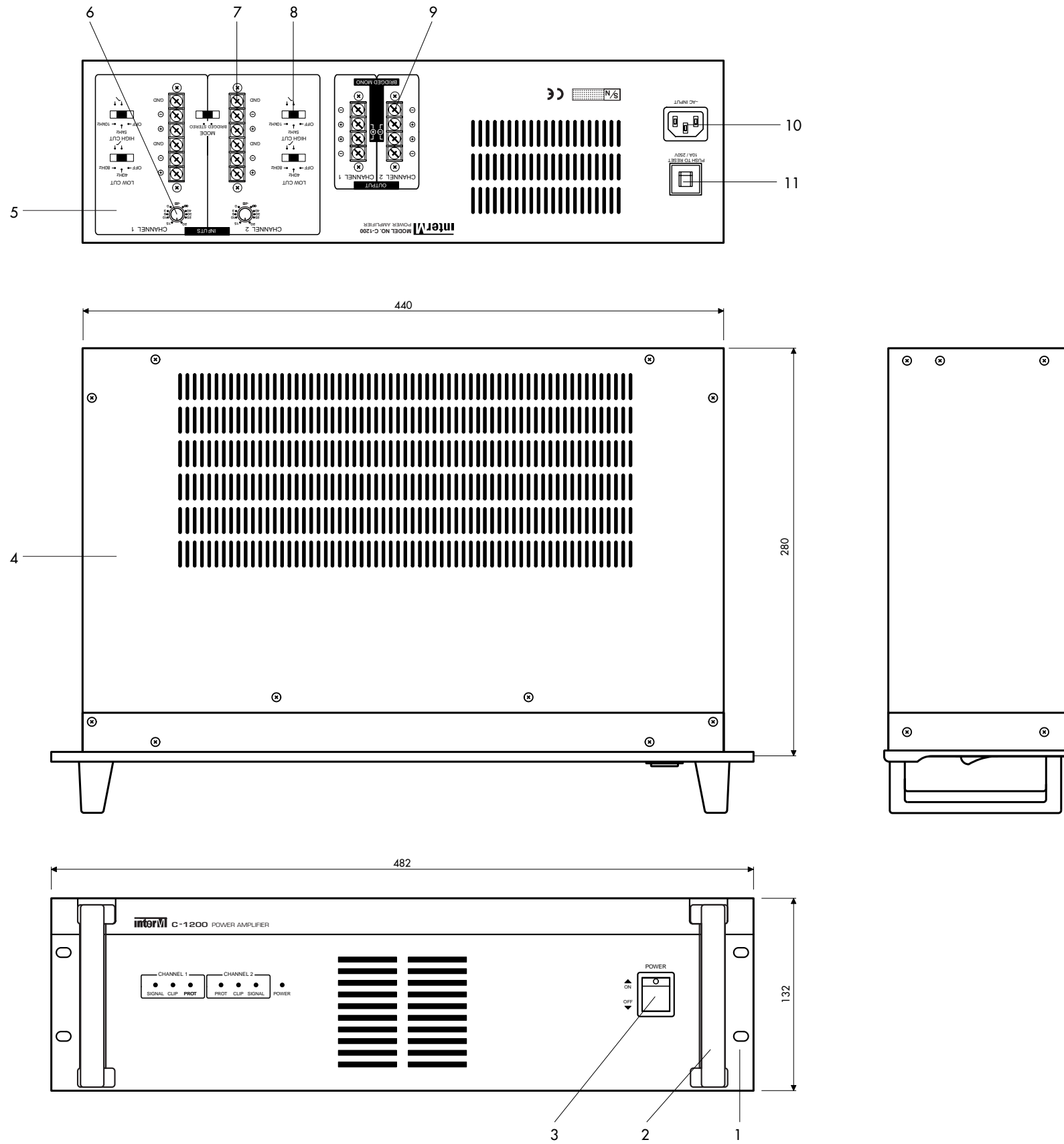
EXPLODED VIEW OF CABINET & CHASSIS/MECHANICAL PARTS LIST



C-800/1200 EXPLODED VIEW DWG PARTS, LIST

NO	PARTS NAME	PARTS NO	QTY	REMARK
1	FRONT PANEL	048602966611	1	C-800
		048602966612	1	C-1200
2	HANDLE 3 SIZE	048603995230	2	
3	SPONGE FAN	6733996110	1	
4	SW POWER	4625996611	1	
5	HANDLE BKT	6503986830	2	
6	MAIN CHASSIS	046121676111	1	C-800
		046121676115	1	C-1200
7	LED B'D	4005183720	1	
8	LENS LED	8523997210	7	
9	LED SPONGE	6735991010	3	
10	HEAT SINK (UP)	7502089520	1	
11	HEAT SINK (DOWN)	7502089420	1	
12	B.K.T HEAT SINK	6535995010	2	
13	BRACKET PCB	6505934810	3	
14	DC FAN	7308998110	1	C-800
		7308998010	1	C-1200
15	PCB AMP B'D	4005185300	1	
16	DIODE BRIDGE	2058100979	1	
17	POWER TRANS	2828063010	1	C-800
		2828062910	1	C-1200
18	SW B'D	4005183730	1	
19	POWER B'D	4005183750	1	
20	OUTPUT B'D	4005183710	1	
21	INPUT B'D	4005183700	1	
22	B.K.T V/R	6505932710	4	
23	CIRCUIT BREAKER	5568223733	1	
24	AC INLET	4448997410	1	
25	TOP COVER	046123495021	1	
26	FOOT	6735991210	4	
S1	SCREW BM 3X6B	8009130063	6	
S2	SCREW #2BTC 3X10B	8109230103	12	
S3	SCREW #3BTC 3X6B	8109330063	22	
S4	SCREW BM 4X30B	8009140303	4	
S5	HEX MSPW 3X16Y	8099130161	26	
S6	SCREW #3BTC 4X8BK	8109340083	10	
S7	ASSY SCREW PM 4X18B	8095996930	1	
S8	SCREW BM 4X12B	8159340103	4	
S9	SCREW BM 3X6N	8009130064	8	

ASS'Y DRAWING



No.	Description	Part No	Q'ty	Remark
1	FRONT PANEL	048602966611	1	C-800
		048602966612	1	C-1200
2	HANDLE(3SIZE)	048603995230	2	
3	SW POWER	4625996611	1	
4	TOP COVER	046123495010	1	
5	MAIN CHASSIS	046121676111	1	C-800 (KOREA)
		046121676112	1	C-800 (B,C,R 230V)
		046121676113	1	C-800 (E 120V)
		046121676114	1	C-800 (D 240V)
		046121676115	1	C-1200 (KOREA)
		046121676116	1	C-1200 (B,C,R 230V)
		046121676117	1	C-1200 (E 120V)
6	CONTROL KNOB	3228009017	2	
7	SCREW TERMINAL 6P	4465996206	2	
8	SW SLIDE	4618999510	5	
9	SCREW TERMINAL 4P	4465996204	2	
10	AC INLET	4448598810	1	
11	CIRCUIT BREAKER	5568224533	1	