

**SERVICE**

**MANUAL**

M U L T I P L E C O M P A C T

**DISC PLAYER**

**CDC-2050**

**interM**

<http://www.inter-m.com>  
MADE IN KOREA  
NO: 9007979550

**interM**

## SPECIFICATIONS

### ■ ELECTRICAL

- Frequency Response (20Hz~20kHz).....±0.5dB
- Dynamic Range .....98dB
- S/N Ratio.....108dB
- Distortion (at 1kHz) .....<0.003%
- Separation.....90dB
- Output Voltage .....Variable 0.2~2.0V
- Disc Used .....Audio Compact Discs are used 12cm and 8cm
- Mechanism .....Full Floating System

### ■ GENERAL

- Power Source .....AC 110V~240V, 50/60Hz  
Voltage is shown on Rating label
- Power Consumption .....12W
- Weight .....7.1kg
- Dimensions.....482(W) × 132(H) × 389(D)mm

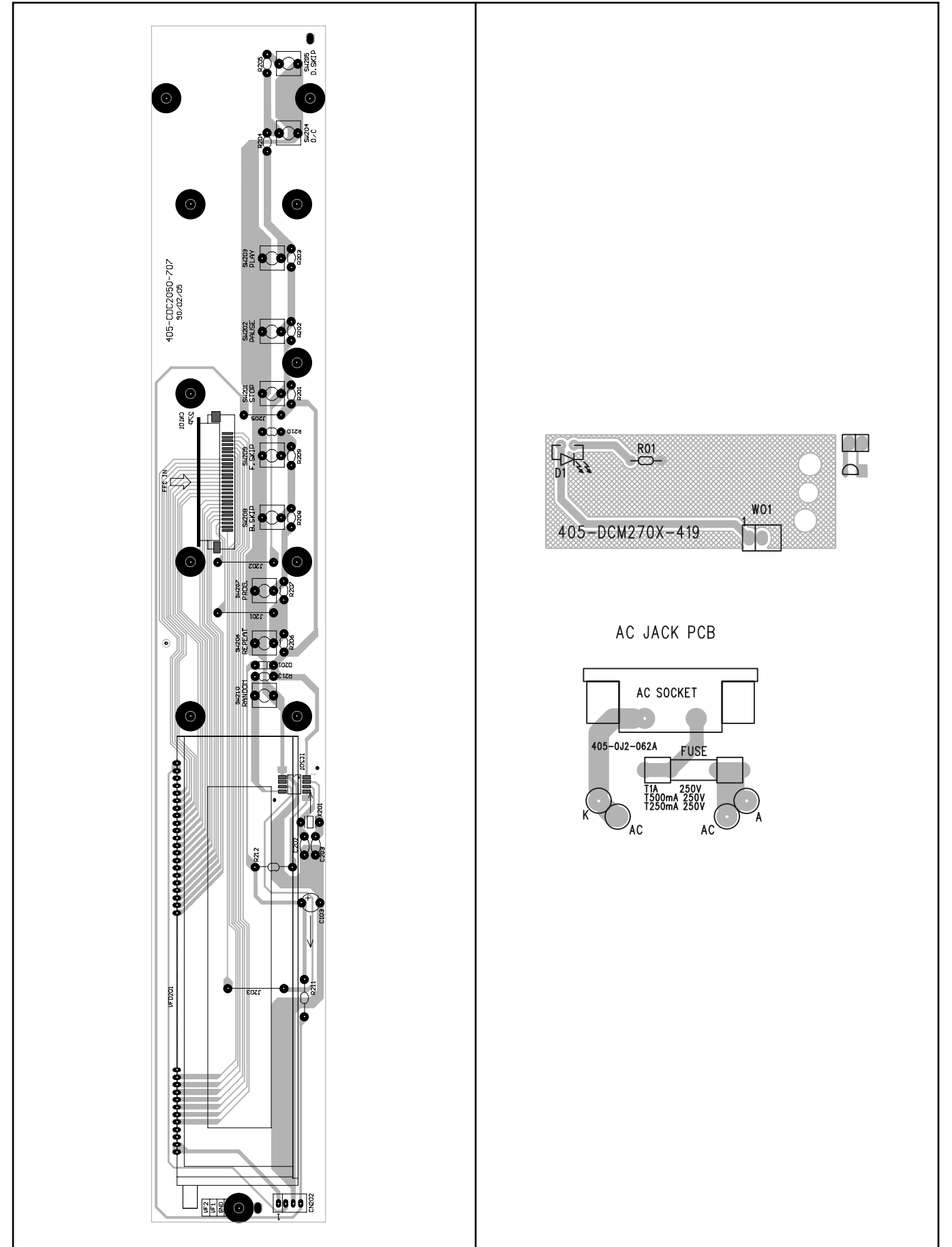
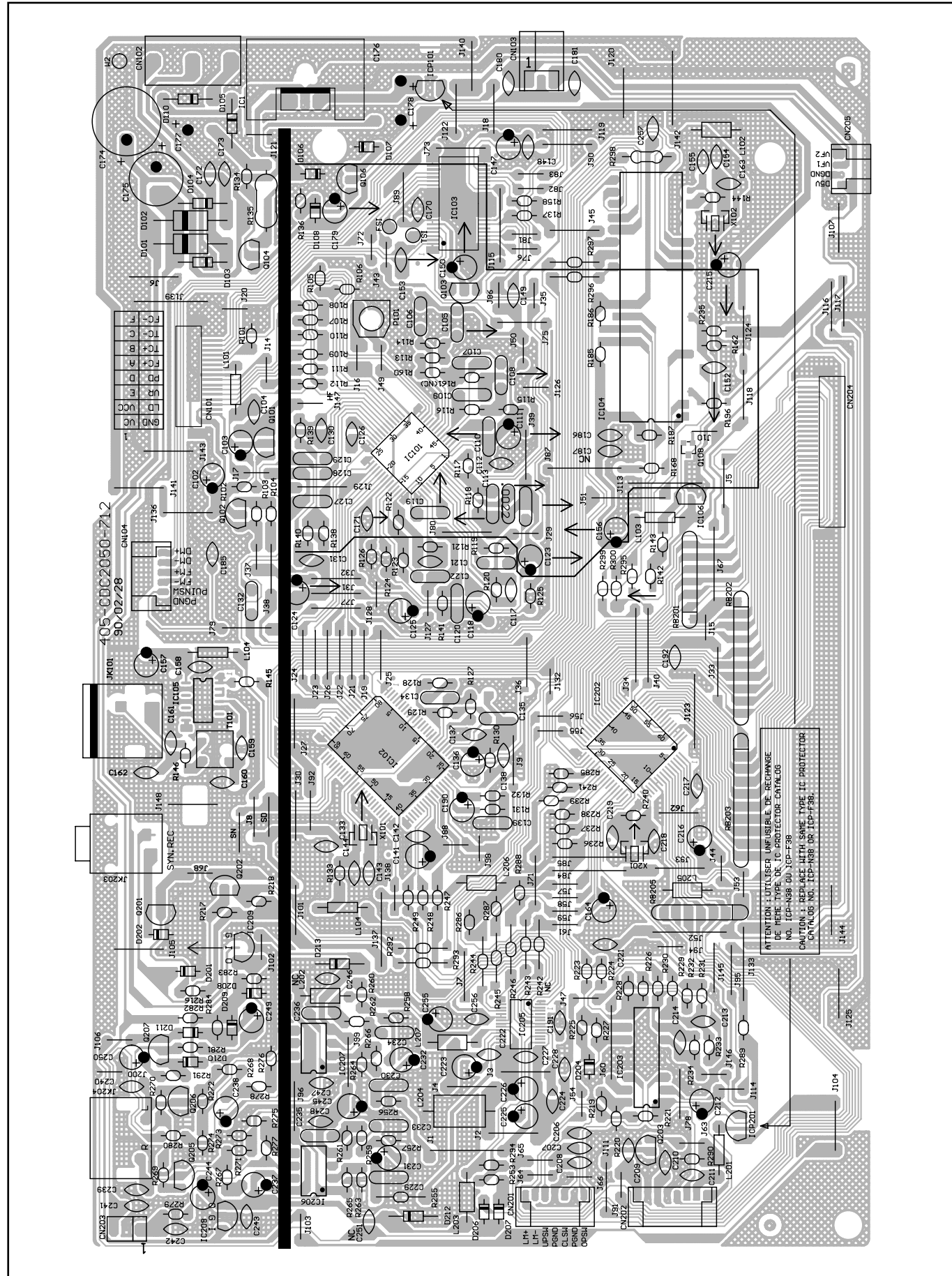
\*Specifications and design subject to change without notice for improvements.

## CONTENTS

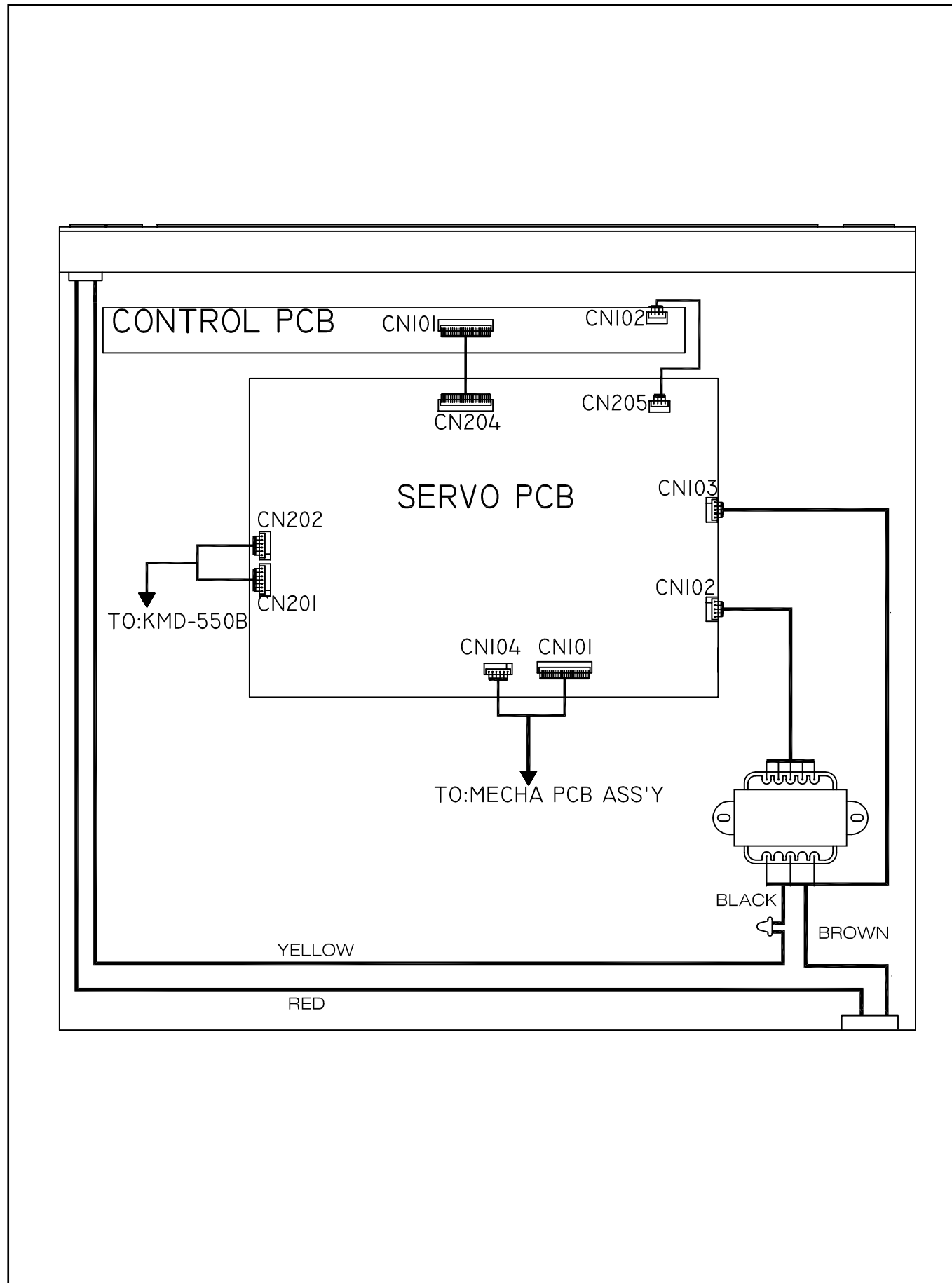
|  |                                |
|--|--------------------------------|
| Specifications   | 1                              |
| Electrical Parts List                                      | 2, 3                           |
| Top and Bottom View of P.C. Board                          | 4, 5                           |
| Wiring Diagram   | 6                              |
| Block Diagram  | 7, 8, 9, 10, 11, 12            |
| Schematic Diagram  | 13, 14, 15, 16, 17, 18, 19, 20 |
| Exploded View of Cabinet & Chassis / Mechanical Parts List | 21, 22, 23, 24                 |
| Ass'y Drawing  | 25, 26                         |



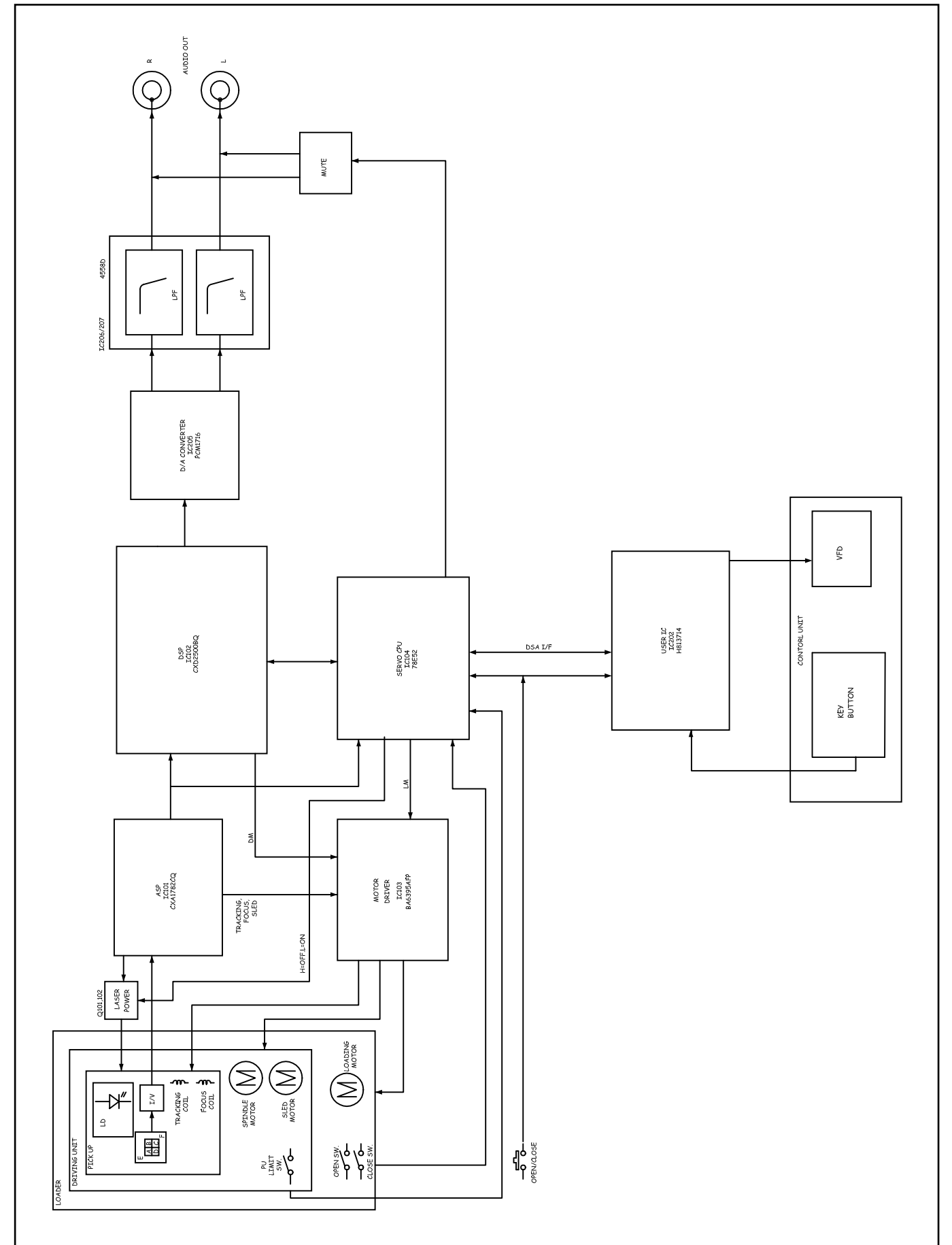
# TOP AND BOTTOM VIEW OF P.C. BOARD



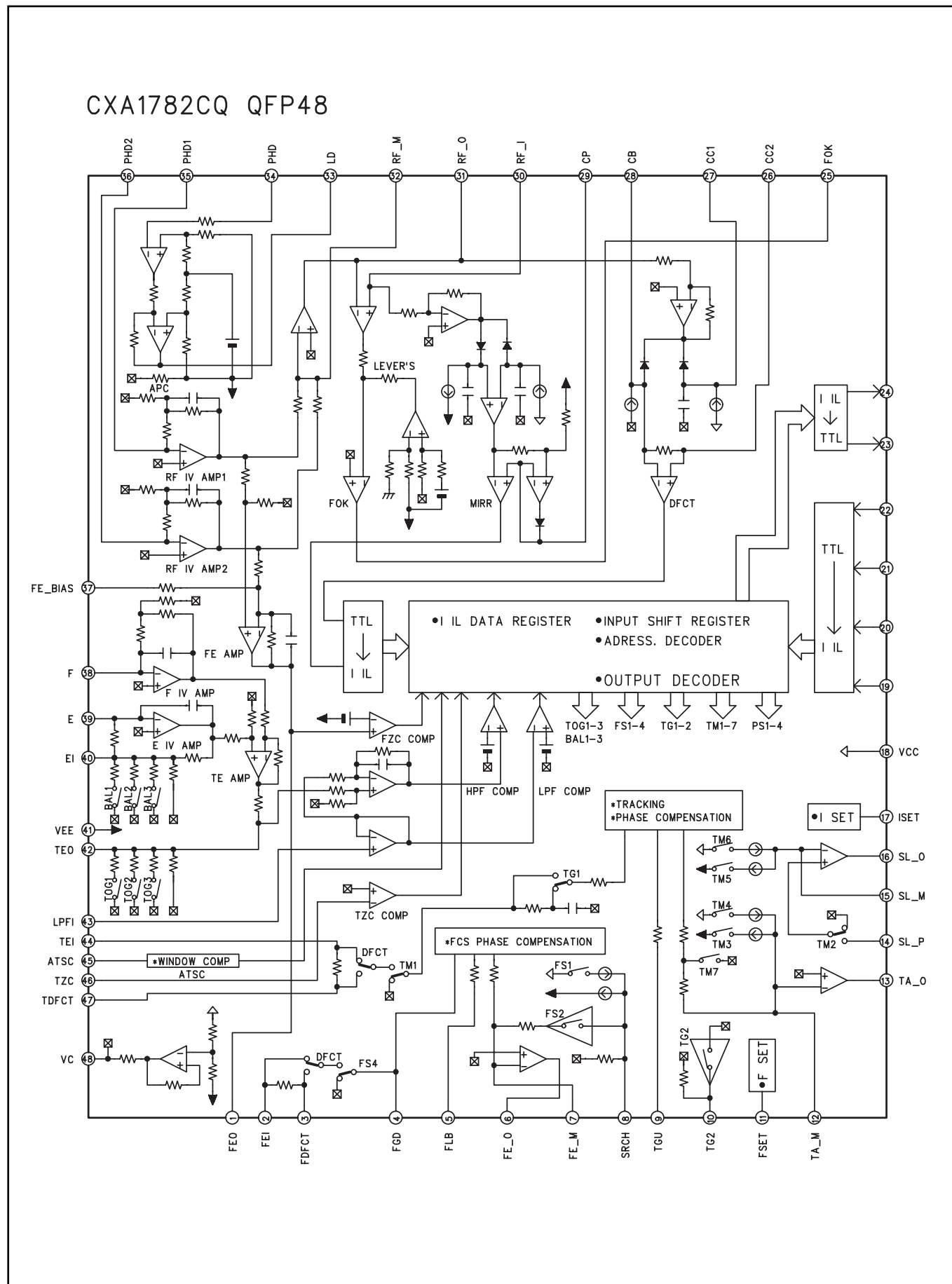
# WIRING DIAGRAM



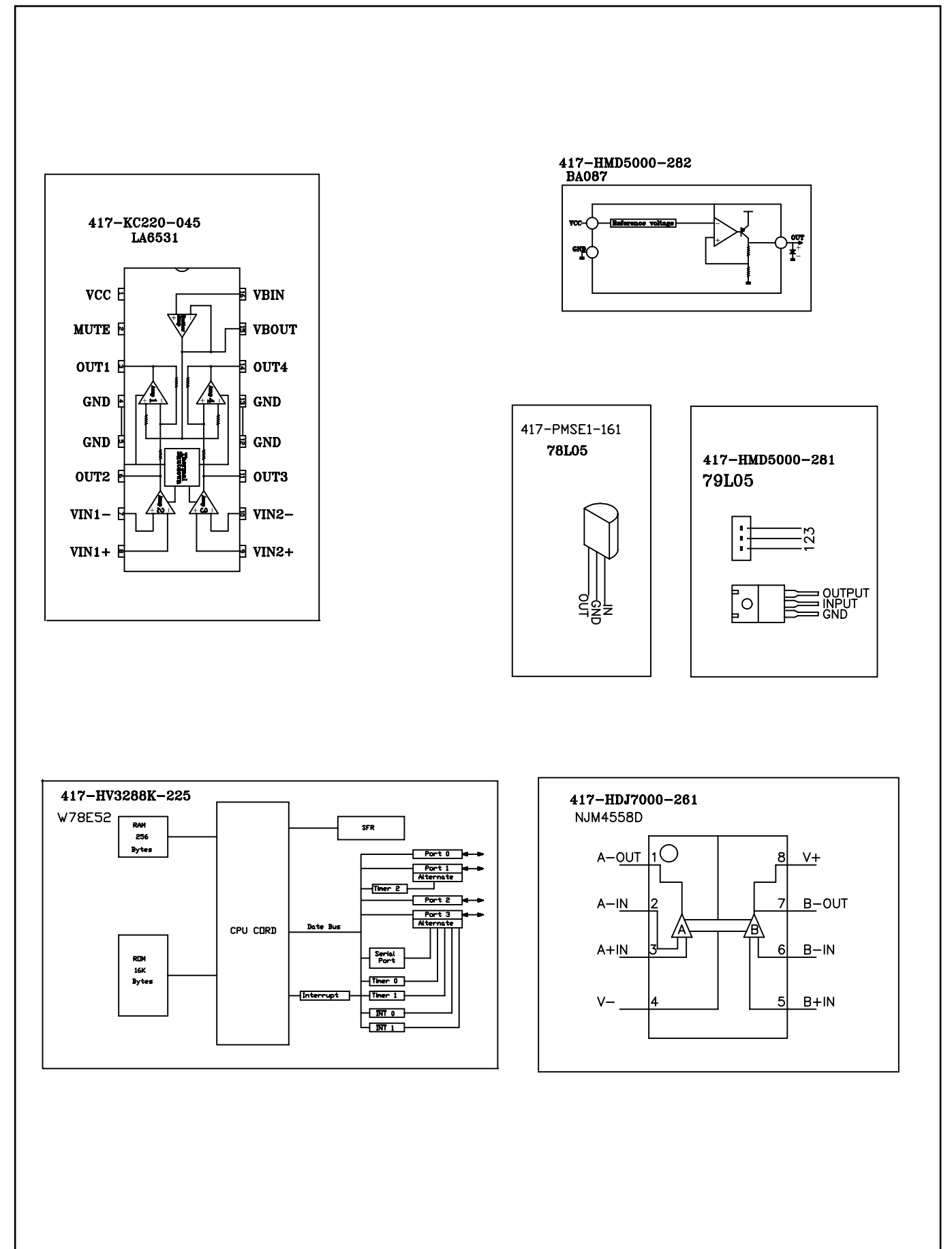
# BLOCK DIAGRAM



# BLOCK DIAGRAM-IC1

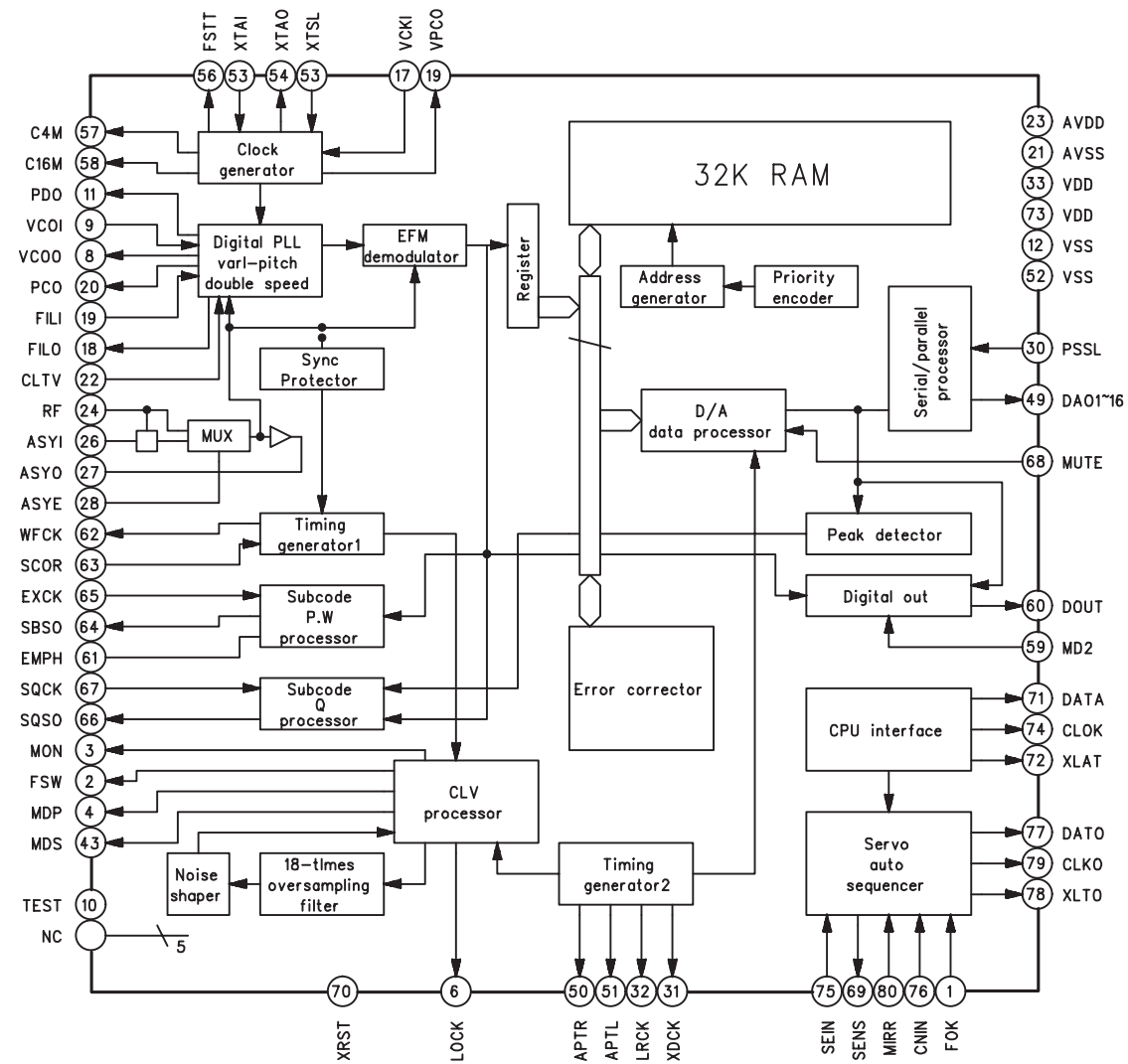


# BLOCK DIAGRAM-IC2



# BLOCK DIAGRAM-IC3

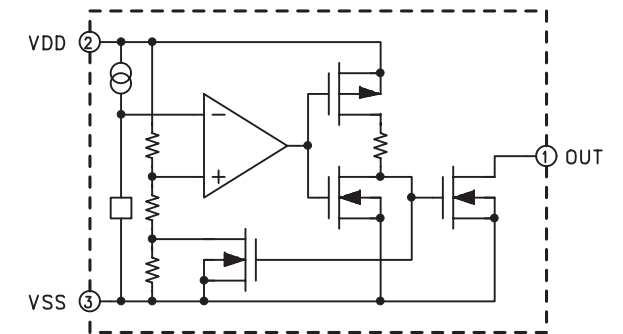
CXD2500BQ



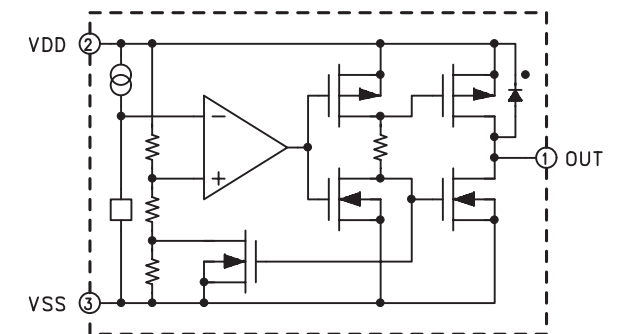
# BLOCK DIAGRAM-IC4

417-MP3-428  
S80745AN

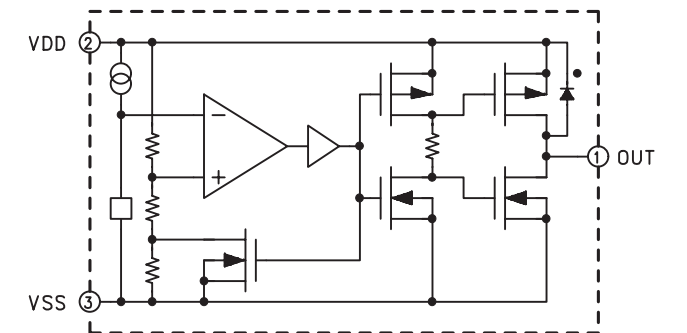
(1) Nch open-drain output



(2) CMOS active low output

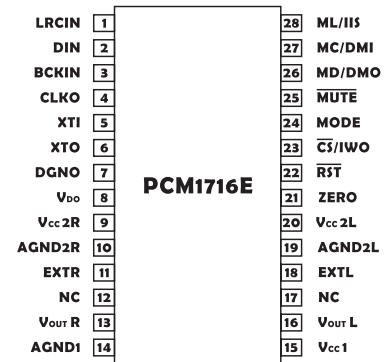


(3) CMOS active high output

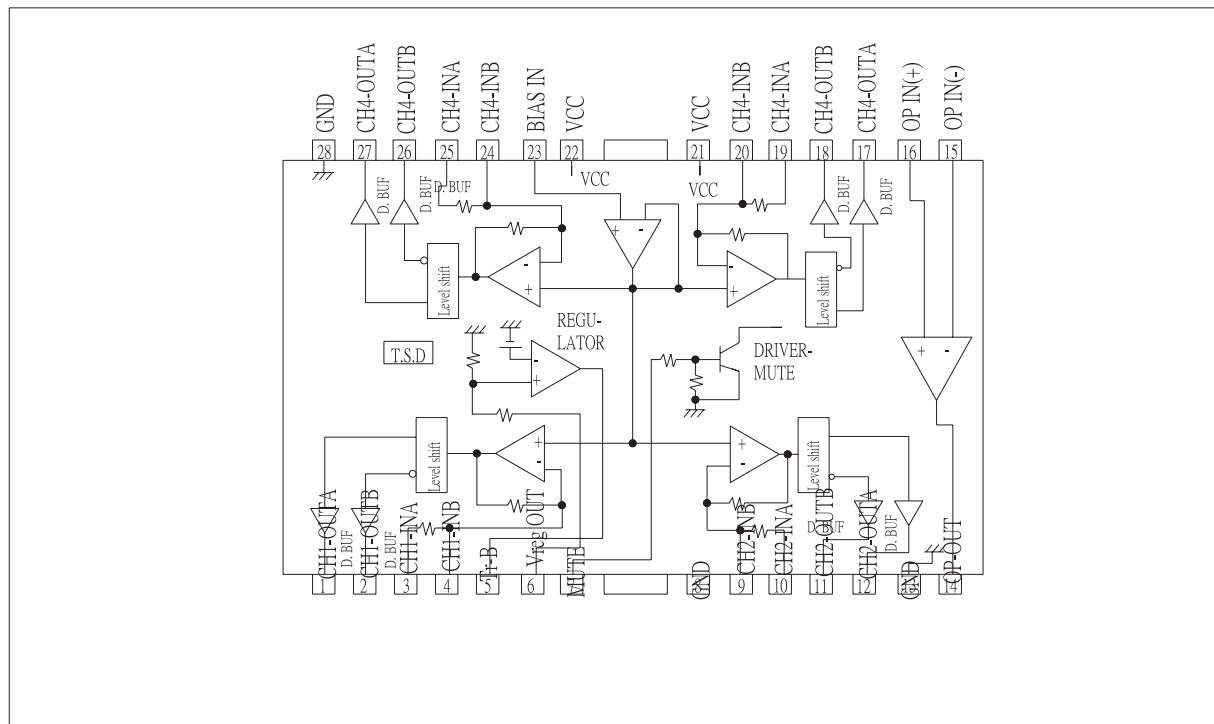


# BLOCK DIAGRAM-IC5

417-DCM270X-327A

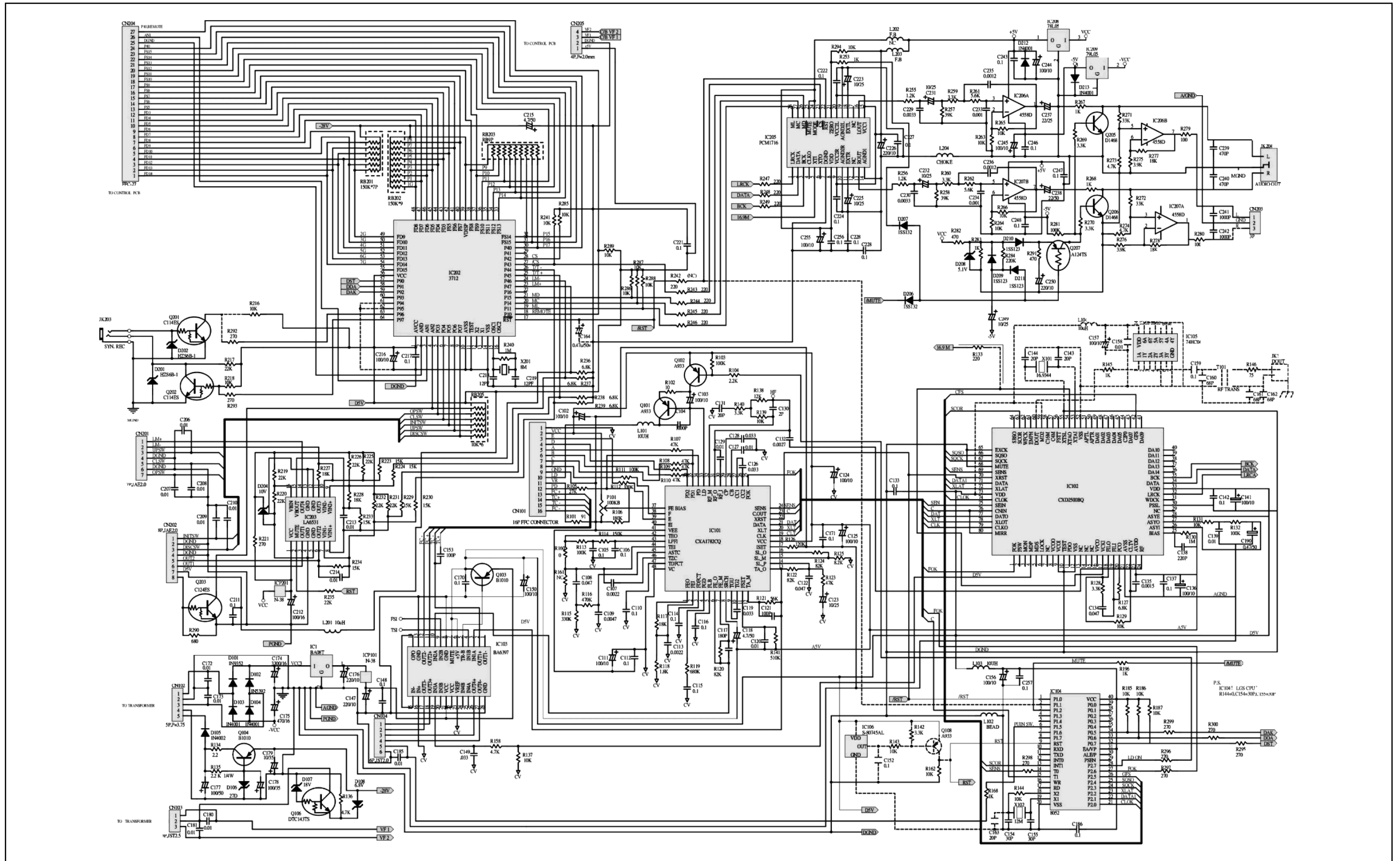


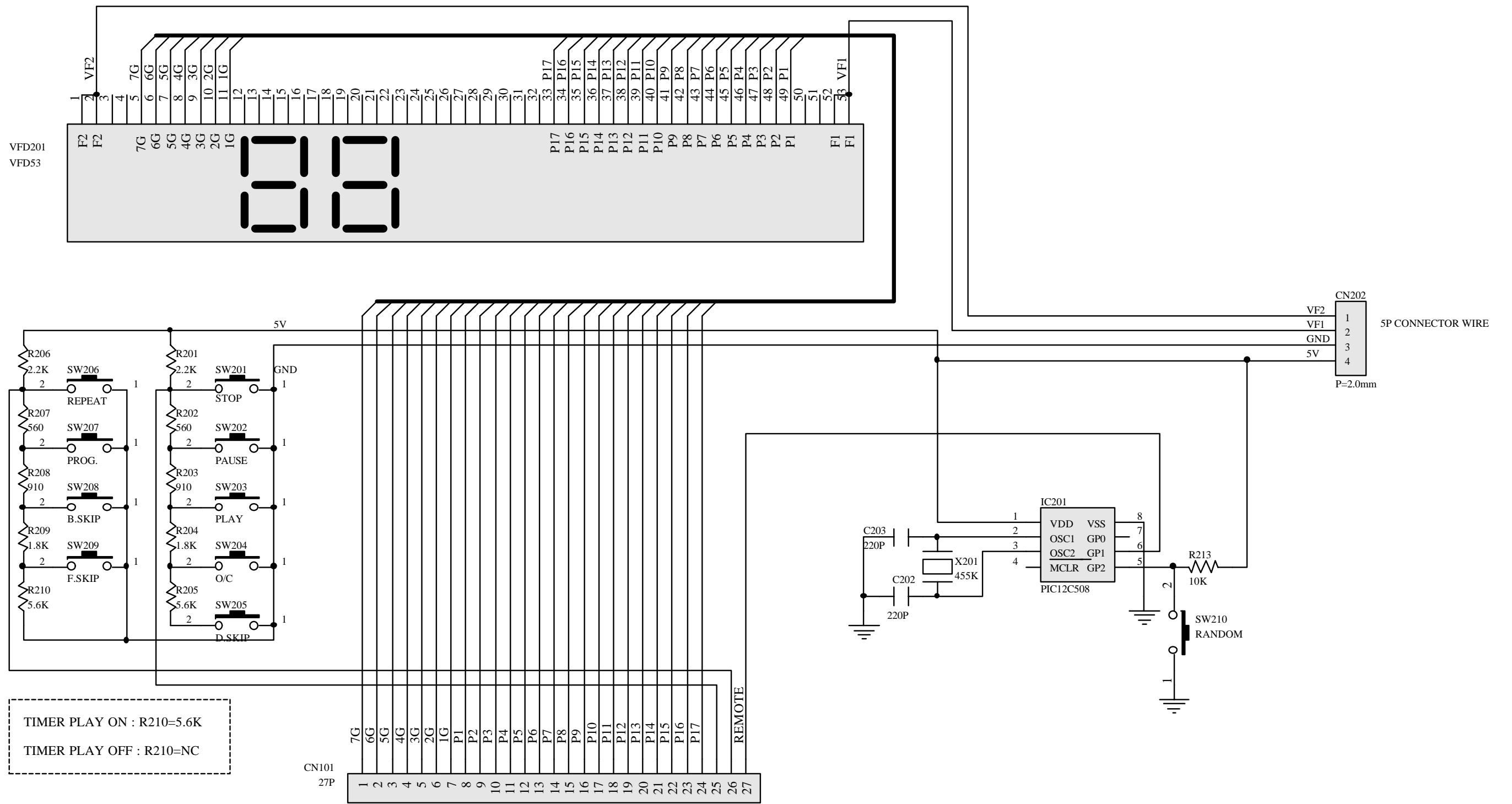
417-HV3288K-208  
BA6397FP

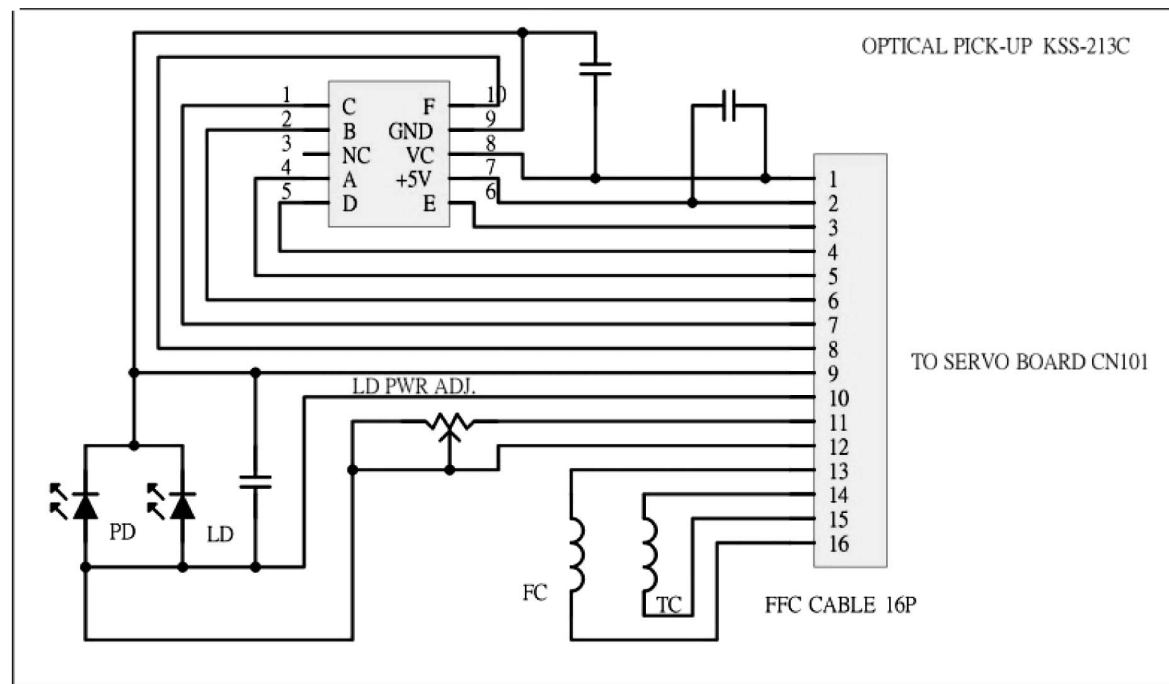
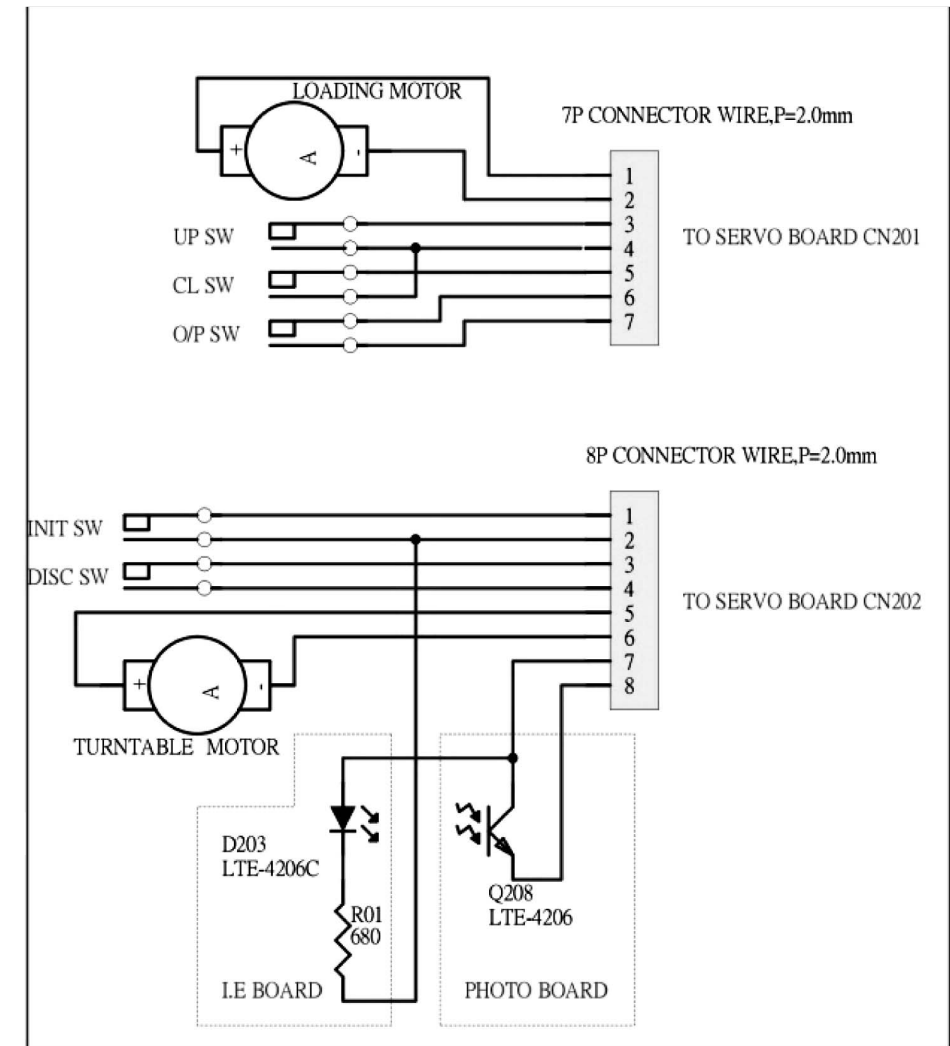
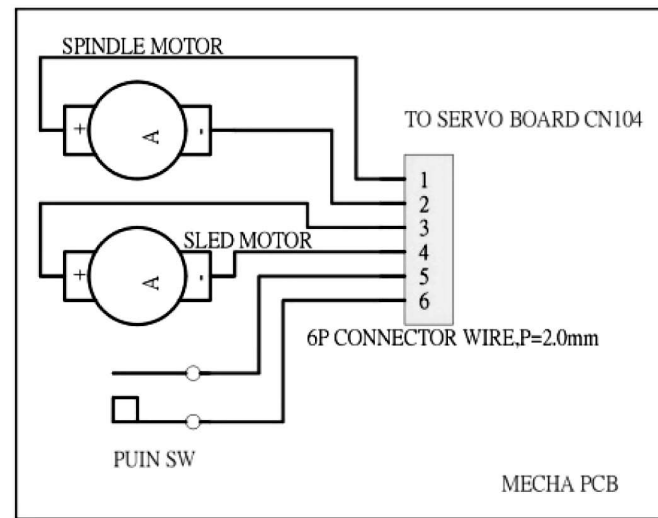
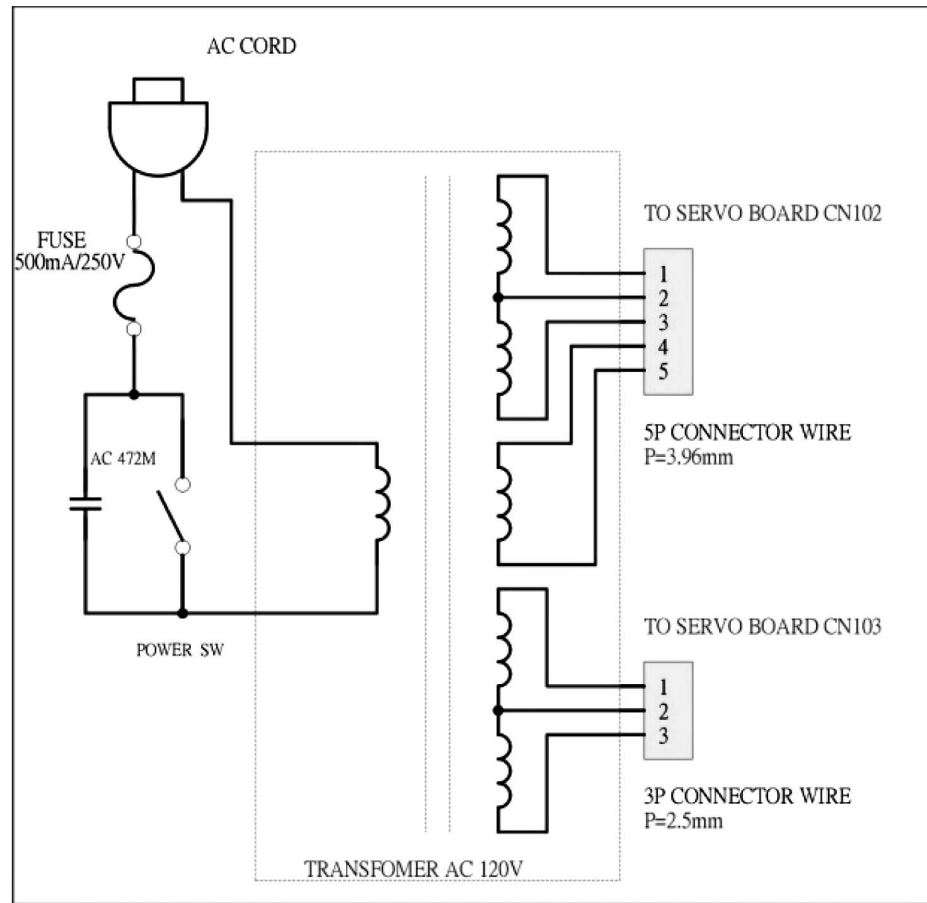


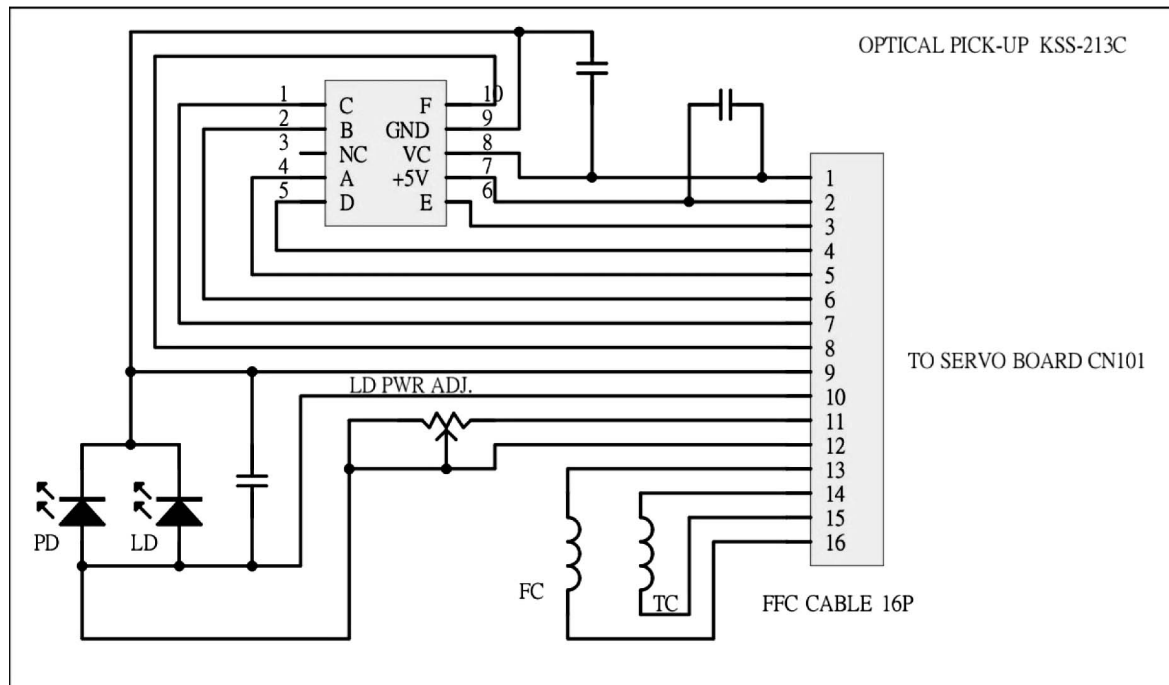
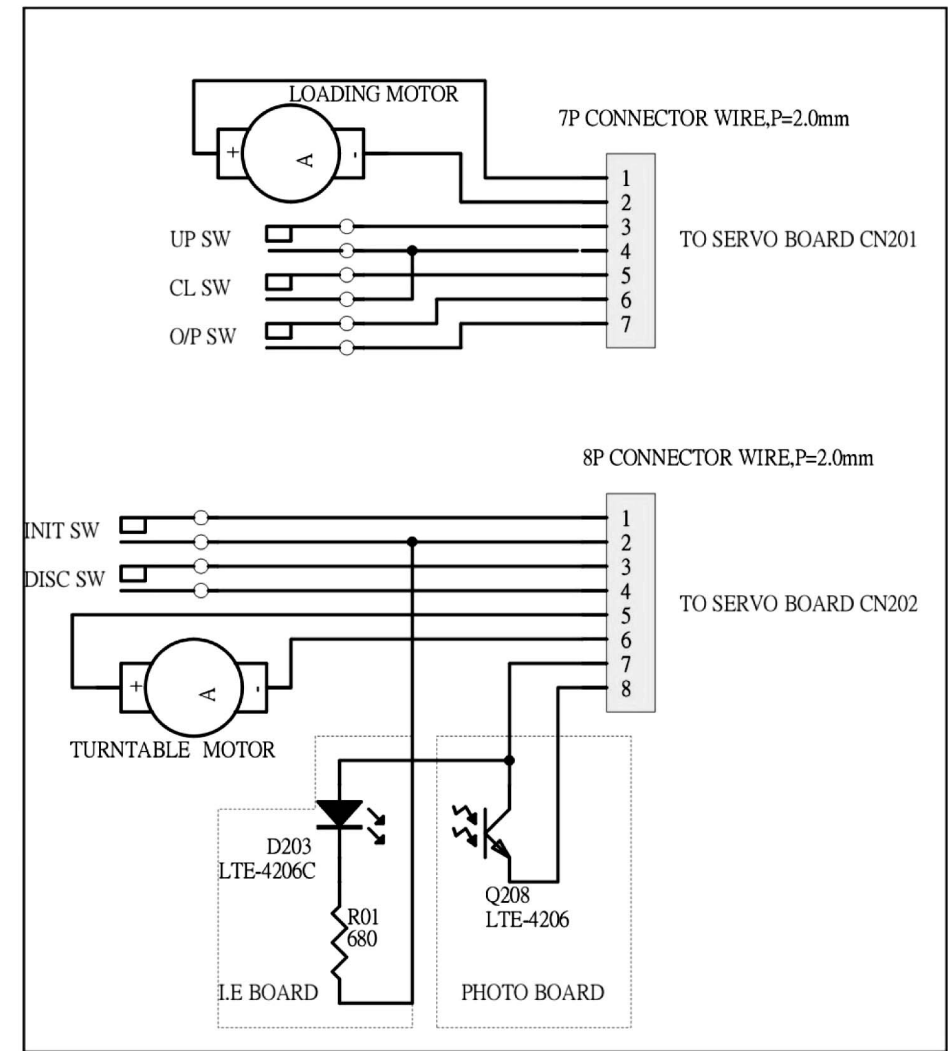
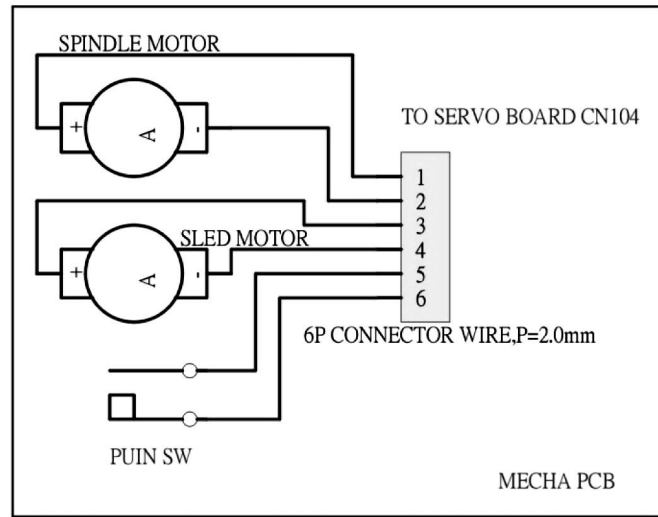
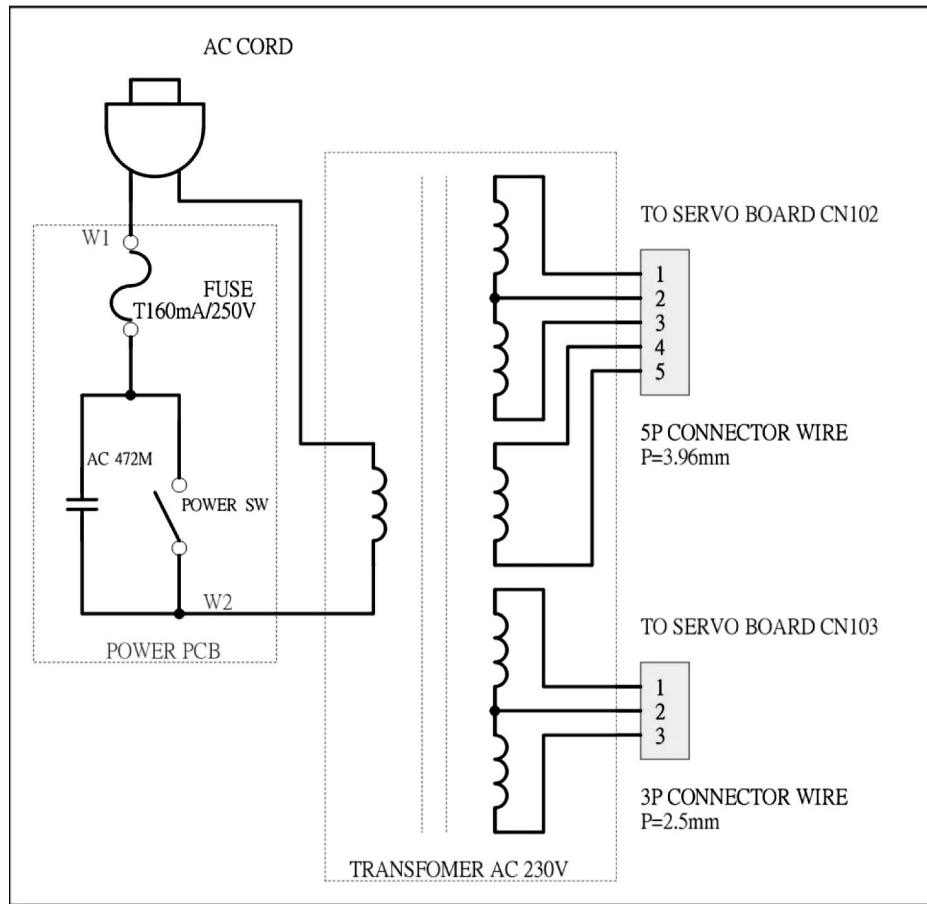


# SCHEMATIC DIAGRAM

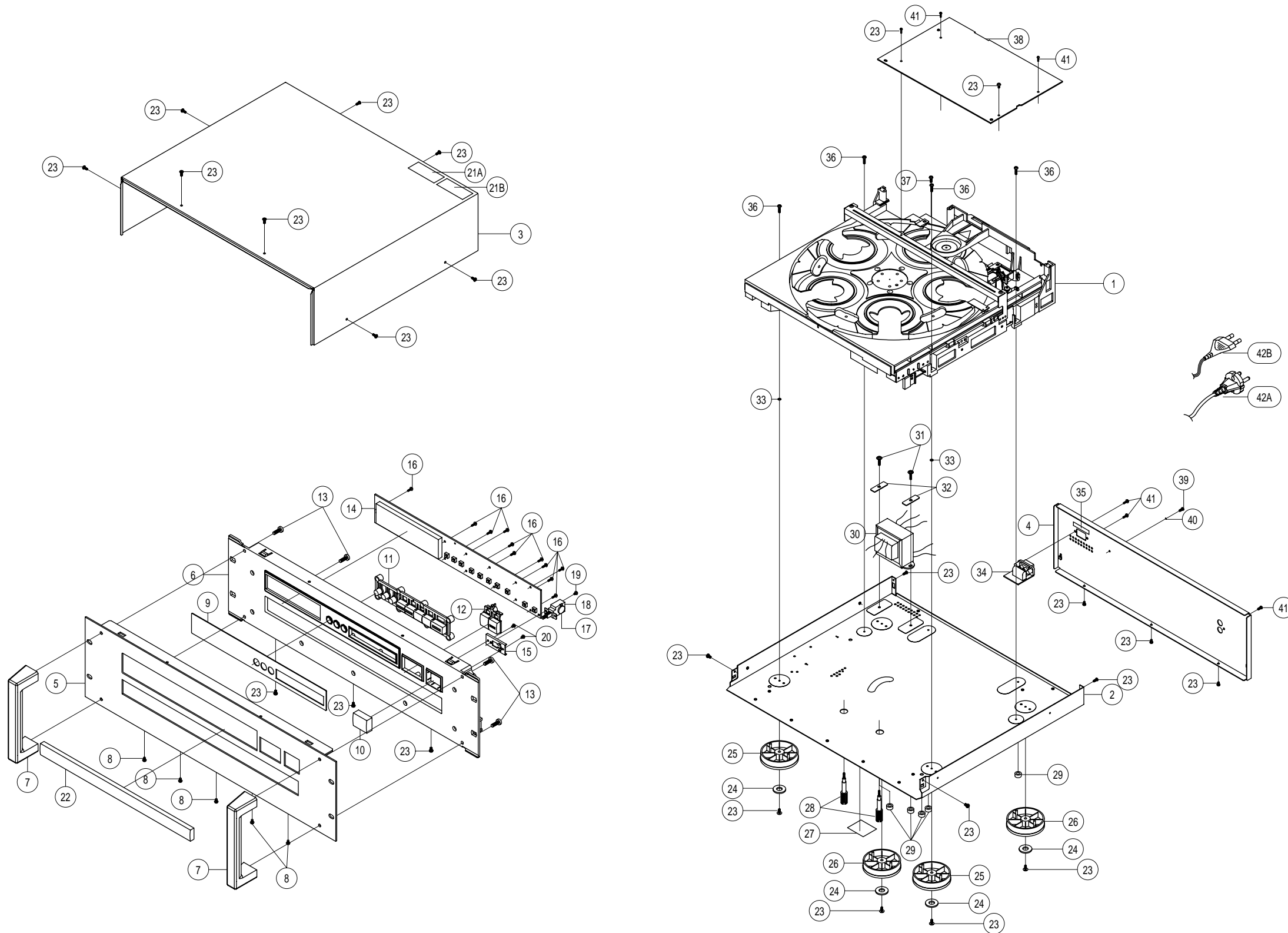




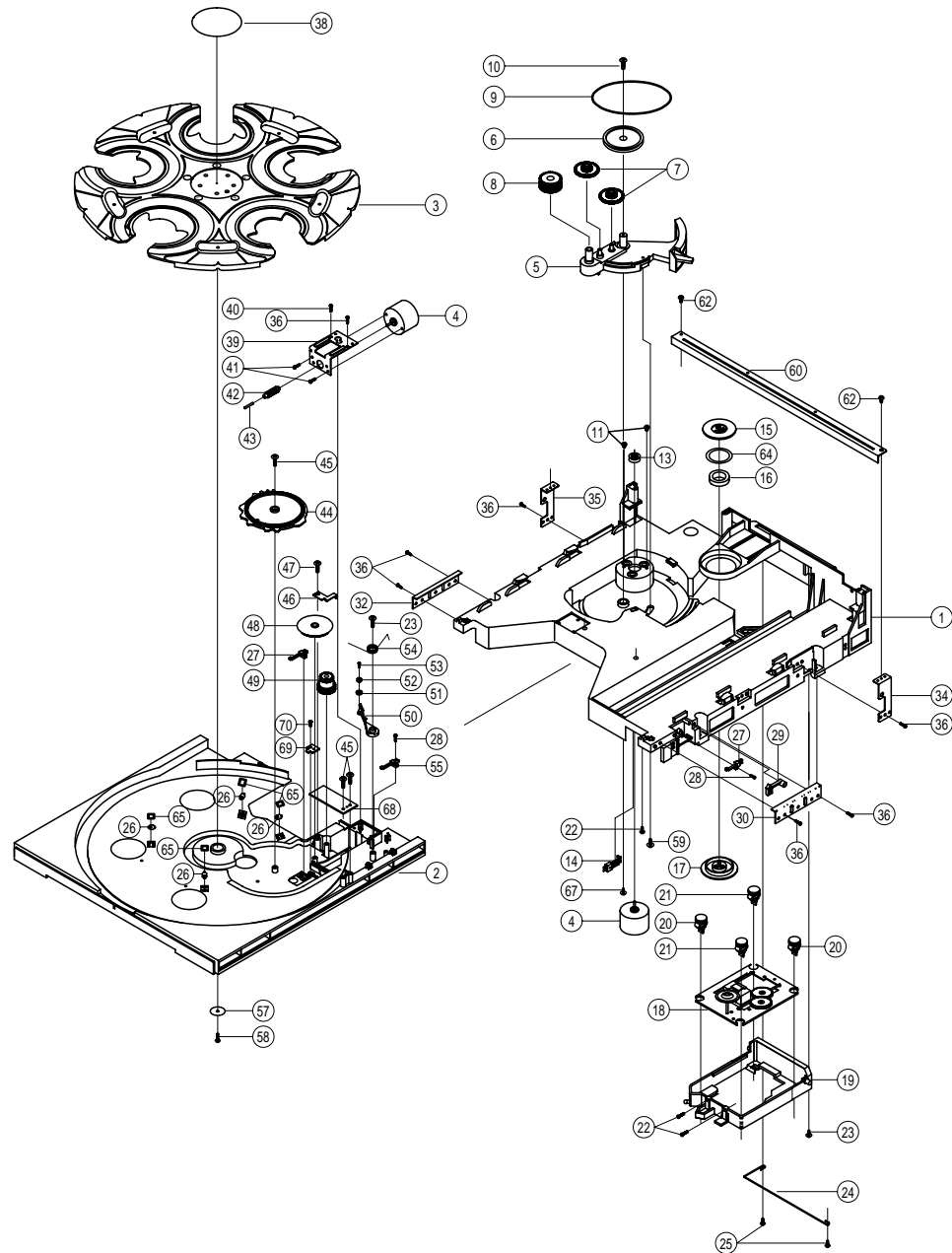




# EXPLODED VIEW OF CABINET & CHASSIS/MECHANICAL PARTS LIST

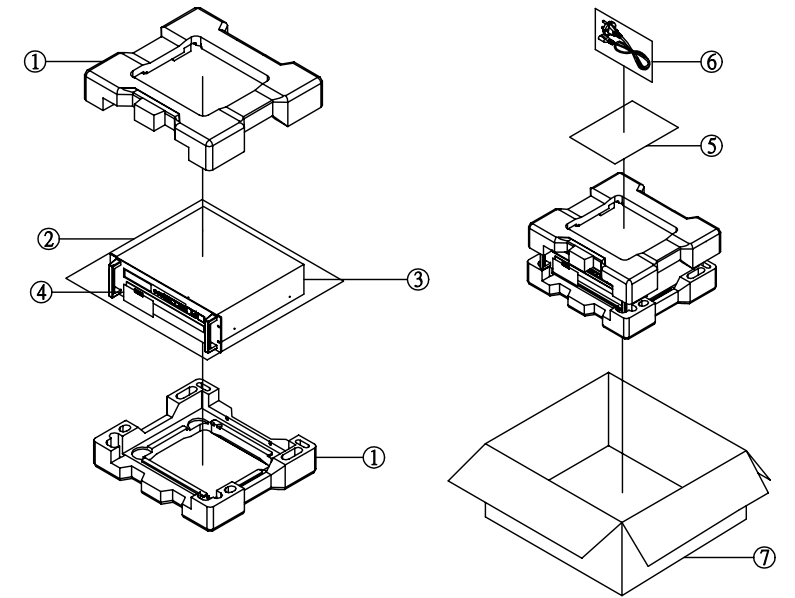


| No. | Description                                      | Part No.          | Q'ty | Remark   |
|-----|--|-------------------|------|----------|
| 1   | SCD LOADER ASS'Y                                 | 704-KMD550B-2029  | 1    |          |
| 2   | BOTTOM BASE                                      | 300-CDC2050-502B  | 1    |          |
| 3   | TOP COVER  | 300-CDC2050-748   | 1    |          |
| 4   | BACK BOARD                                       | 300-CDC2050-749   | 1    | CDC-2050 |
|     | BACK BOARD                                       | 300-CDC2050A-749  | 1    | 2050A    |
|     | BACK BOARD                                       | 300-CDC2050B-749  | 1    | 2050B/D  |
|     | BACK BOARD                                       | 300-CDC2050D-749  | 1    | 2050D    |
| 5   | FRONT PANEL                                      | 300-CDC2050-747   | 1    |          |
| 6   | FRONT BOARD                                      | 100-CDC2050-1692  | 1    |          |
| 7   | HANDLE   | 300-CDC2050-750   | 2    |          |
| 8   | SCREW  | 602-CDC2050-345   | 5    |          |
| 9   | DECORATIVE PLATE                                 | 501-CDC2050-1423A | 1    |          |
| 10  | POWER KNOB                                       | 100-HMD5000-13055 | 1    |          |
| 11  | KNOB ASS'Y                                       | 100-CDC2050-1700  | 1    |          |
| 12  | OPEN/DISC BUTTON                                 | 100-CDC2050-1306  | 1    |          |
| 13  | SCREW  | 602-CDC2050-346   | 4    |          |
| 14  | CONTROL PCB ASS'Y                                | 704-CDC2050-3049  | 1    |          |
| 15  | POWER SWITCH BRACKET                             | 300-HDJ7000-478   | 1    |          |
| 16  | SCREW (2.6*8 PTP)                                | 602-SL24F-099     | 11   |          |
| 17  | C.C.(BLUE 4700PF 400V 0+/-0.2 VDE)               | 413-1431-104      | 1    |          |
| 18  | SWITCH (POWER)(SDDL B 1017U-HF)                  | 403-A100-005      | 1    |          |
| 19  | SCREW (3*5mm BLACK)                              | 602-KE200-145     | 1    |          |
| 20  | SCREW  | 602-B600-057      | 2    |          |
| 22  | CD DOOR  | 100-CDC2050-1302  | 1    |          |
| 23  | SCREW (3*18)                                     | 602-HP1010K-175   | 24   |          |
| 24  | FOOT   | 612-DCM370-067    | 4    |          |
| 25  | FOOT   | 100-CDC2050-1693  | 2    |          |
| 26  | FOOT (SOURCE MATERIAL)                           | 100-CDC2050-1693S | 2    |          |
| 27  | TRANSIT SCREWS LABEL                             | 501-CDC2050-949   | 1    |          |
| 28  | SCREW ASS'Y                                      | 701-AVD3500K-1668 | 2    |          |
| 29  | PROTECTION MAT                                   | 612-HMD5000-065   | 5    |          |
| 30  | TRANSFORMER                                      | 411-CDC2050-217   | 1    | CDC-2050 |
|     | TRANSFORMER (AC230V/50Hz, EI-57)                 | 411-DCM270E2-164  | 1    | 2050A    |
|     | TRANSFORMER (AC240V, EI-57)                      | 411-CDC2050-221   | 1    | 2050B/C  |
|     | TRANSFORMER (AC120V, 60Hz, EI-57, UL1411)        | 411-DCM270X-141   | 1    | 2050D    |
| 31  | SCREW ("B" TAPTITE, DIA MATER 4*8mm, CAP, BLACK) | 602-DCM270-281    | 2    |          |
| 32  | BRACKET TRANSFORMER                              | 300-DV300B-443    | 2    |          |
| 33  | WASHER (ø8*4*0.5)                                | 606-CDC2050-128   | 2    |          |
| 34  | AC JACK ASS'Y                                    | 704-CDC2050A-3193 | 1    | 2050/A-C |
|     | AC JACK ASS'Y                                    | 704-CDC2050D-3194 | 1    | 2050D    |
| 35  | FUSE LABEL                                       | 501-CDC2050-1298  | 1    | 2050/A-C |
|     | FUSE LABEL                                       | 501-CDC2050D-1298 | 1    | 2050D    |
|     | FUSE LABEL                                       | 501-CDC2050-1298  | 1    |          |
| 36  | SCREW (TTB M3*12mm)                              | 602-DV300B-219    | 4    |          |
| 37  | SCREW (TTB 3*L10)                                | 602-HP1010K-174   | 1    |          |
| 38  | SERVO PCB ASS'Y                                  | 704-CDC2050-3050  | 1    |          |
| 39  | GROUND PIN                                       | 200-DJ100-231     | 1    |          |
| 40  | WASHER (ø8*3.2*1)                                | 606-Q2221-122     | 1    |          |
| 41  | SCREW (3*10 ZK PTP)                              | 602-MK7-131       | 5    |          |
| 42  | AC POWER CORD (K TYPE, L=1900+-50mm)             | 409-DJ2-074       | 1    | CDC-2050 |
|     | AC POWER CORD (VDE TYPE, L=1900+-50mm)           | 409-DJ2-070       | 1    | 2050A    |
|     | AC POWER CORD (L=1900+-50mm, BS TYPE)            | 409-DJ2-071       | 1    | 2050B    |
|     | AC POWER CORD (L=1900+-50mm, SAA TYPE)           | 409-DJ2-072       | 1    | 2050C    |
|     | AC POWER CORD (L=1900+-50mm, UL TYPE)            | 409-DJ2-069       | 1    | 2050D    |



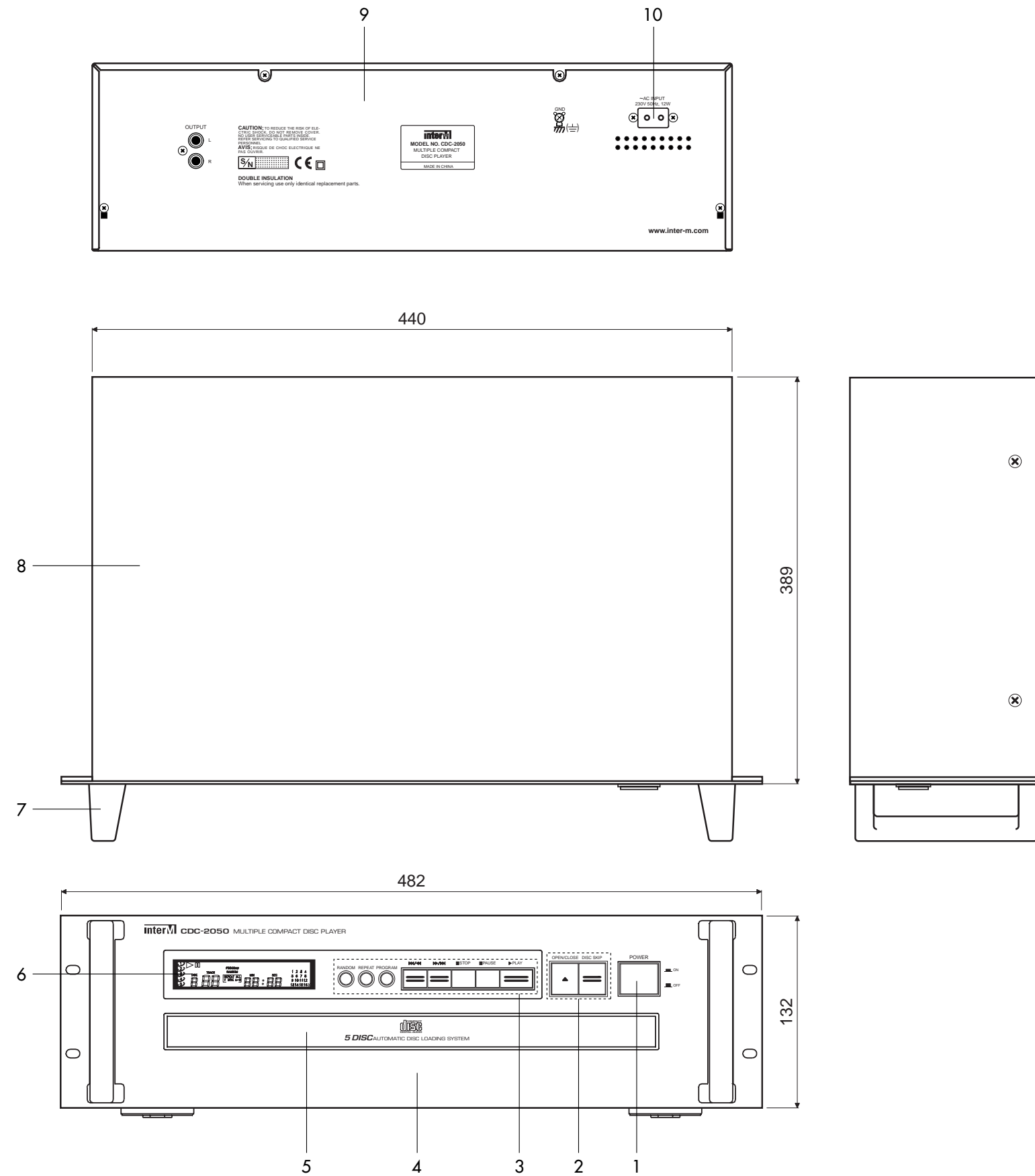
| No. | Description  | Part No.         | Q'ty | Remark |
|-----|--------------|------------------|------|--------|
| 1   | BOTTOM PLATE | 100-KMD550-1213A | 1    |        |
| 2   | BASE         | 100-KMD550-1214C | 1    |        |
| 3   | TURNTABLE    | 100-KMD550-1215A | 1    |        |
| 4   | MOTOR        | 401-MK7-043      | 2    |        |
| 5   | GEAR SET     | 100-KMD280-860D2 | 1    |        |
| 6   | BELT GEAR    | 100-KMD280-732B  | 1    |        |
| 7   | S. GEAR      | 100-KMD280-734   | 2    |        |
| 8   | B. GEAR      | 100-KMD280-727   | 1    |        |
| 9   | MOTOR BELT   | 604-KMD280-094   | 1    |        |
| 10  | SCREW        | 602-KMD510-169   | 1    |        |
| 11  | SCREW        | 602-MK7-134      | 2    |        |
| 13  | MOTOR PULLEY | 100-KMD280-728   | 1    |        |
| 14  | LEAF SW      | 403-KMD280-048   | 1    |        |
| 15  | SWIVEL PLATE | 300-KMD550-466   | 1    |        |

| No. | Description                 | Part No.          | Q'ty | Remark |
|-----|-----------------------------|-------------------|------|--------|
| 16  | MAGNET                      | 613-MK7-002       | 1    |        |
| 17  | DISC HOLDER                 | 100-KMD550-1219   | 1    |        |
| 18  | MECHANISM ASS'Y             | 704-HV3423K-1441  | 1    |        |
| 19  | SWING PLATE                 | 100-KMD550-1220B  | 1    |        |
| 20  | CUSHION RUBBER (RED)        | 604-KMD550-117    | 2    |        |
| 21  | CUSHION RUBBER (WHITE)      | 604-KMD550-118    | 2    |        |
| 22  | SCREW                       | 602-KMD550-250    | 3    |        |
| 23  | SCREW                       | 602-SL24F-097     | 2    |        |
| 24  | STEEL WIRE                  | 603-KMD280-200    | 1    |        |
| 25  | SCREW                       | 602-B600-056      | 2    |        |
| 26  | WHEEL                       | 100-KMD280-729    | 4    |        |
| 27  | LEAF SW                     | 403-DM11A-020     | 2    |        |
| 28  | SCREW                       | 602-SL24F-099     | 2    |        |
| 29  | CONTROL LEVER               | 100-KMD280-730    | 1    |        |
| 30  | R. PRESSING PLATE           | 300-KMD280-265RA  | 1    |        |
| 32  | L. PRESSING PLATE           | 300-KMD550-265L   | 1    |        |
| 34  | RIGHT BRACKET               | 300-KMDV280C-264A | 1    |        |
| 35  | LEFT BRACKET                | 300-KMDV280C-263A | 1    |        |
| 36  | SCREW                       | 602-2002-077      | 7    |        |
| 38  | DECORATING SHEET            | 501-KMD550-1099   | 1    |        |
| 39  | MOTOR FIXED PLATE           | 300-KMD550-262    | 1    |        |
| 40  | SCREW                       | 602-M100-032      | 1    |        |
| 41  | SCREW                       | 602-KM500-155     | 2    |        |
| 42  | SPIRAL GEAR                 | 100-KMD280-731A   | 1    |        |
| 43  | SHAFT FOR SCREW             | 200-KMD280-174    | 1    |        |
| 44  | TRANSFER CORRECTING GEAR    | 100-KMD550-1216   | 1    |        |
| 45  | SCREW                       | 602-DV300-5023    | 5    |        |
| 46  | TRANSFER GEAR FIXED PLATE   | 300-KMD280-305    | 1    |        |
| 47  | SCREW                       | 602-KM300-144     | 1    |        |
| 48  | MIDDLE GEAR                 | 100-KMD280-733    | 1    |        |
| 49  | TRANSFER GEAR               | 100-KMD280-736A   | 1    |        |
| 50  | CORRECTING LEVER            | 100-KMD550-1217   | 1    |        |
| 51  | SLIP WHEEL RING             | 604-KM300-057     | 1    |        |
| 52  | SLIP WHEEL                  | 100-KM300-516     | 1    |        |
| 53  | WHEEL SHAFT                 | 200-KMD550-181    | 1    |        |
| 54  | SPRING                      | 603-KMD550-199    | 1    |        |
| 55  | LEAF SW                     | 403-KMD550-087    | 1    |        |
| 57  | WASHER                      | 606-C426-066      | 1    |        |
| 58  | SCREW                       | 602-MK7-131       | 1    |        |
| 59  | SCREW                       | 602-SL24F-096     | 1    |        |
| 60  | MAIN PCB BRACKET            | 300-KMD550-486    | 1    |        |
| 62  | SCREW                       | 602-KMD550-255    | 2    |        |
| 64  | WASHER                      | 612-KT300-007     | 1    |        |
| 65  | WASHER                      | 501-KMD550-1146   | 4    |        |
| 67  | SCREW (PTP 4*8mm)           | 602-KMD550-261    | 1    |        |
| 68  | INFRARED EMITTING PCB ASS'Y | 704-DCM270X-1798  | 1    |        |
| 69  | PHOTO TRANSISTOR PCB ASS'Y  | 704-DCM270X-1797  | 1    |        |
| 70  | SCREW (M2.6*6 PTP)          | 602-KMD510-158    | 1    |        |



| No. | Description                           | Part No.          | Q'ty | Remark   |
|-----|---------------------------------------|-------------------|------|----------|
| 1   | POLYFOAM                              | 506-CDC2050-271   | 2    |          |
| 2   | POLYBAG (PE, 650*850mm)               | 505-CDC2050-119   | 1    |          |
| 3   | 5 CD                                  | CDC-2050          | 1    | CDC-2050 |
|     | 5 CD                                  | CDC-2050A/B/C/D   | 1    | 2050A-D  |
| 4   | TRANSPORTATION SCREW LABEL            | 501-CDC2050-1482  | 1    |          |
|     | TRANSPORTATION SCREW LABEL            | 501-CDC2050A-1483 | 1    | 2050D    |
| 5   | I/B ASS'Y                             | 701-CDC2050-2342  | 1    | CDC-2050 |
|     | I/B ASS'Y                             | 701-CDC2050A-2364 | 1    | 2050A    |
|     | I/B ASS'Y                             | 701-CDC2050B-2393 | 1    | 2050B/C  |
|     | I/B ASS'Y                             | 701-CDC2050D-2394 | 1    | 2050D    |
| 6   | AC POWER CORD (K TYPE, L=1900+50mm)   | 409-DJ2-074       | 1    | CDC-2050 |
|     | AC POWER CORD (L=1900+50mm, VDE TYPE) | 409-DJ2-070       | 1    | 2050A    |
|     | AC POWER CORD (L=1900+50mm, BS TYPE)  | 409-DJ2-071       | 1    | 2050B    |
|     | AC POWER CORD (L=1900+50mm, SAA TYPE) | 409-DJ2-072       | 1    | 2050C    |
|     | AC POWER CORD (L=1900+50mm, UL TYPE)  | 409-DJ2-069       | 1    | 2050D    |
| 7   | GIFT BOX                              | 507-CDC2050-2210  | 1    |          |

# ASS'Y DRAWING



| No. | Description      | Part No           | Q'ty | Remark   |
|-----|------------------|-------------------|------|----------|
| 1   | POWER KNOB       | 100-HMO5000-1305S | 1    |          |
| 2   | OPEN/DISC BUTTON | 100-CDC2050-1306  | 1    |          |
| 3   | KNOB ASS'Y       | 100-CDC2050-1700  | 1    |          |
| 4   | FRONT PANEL      | 300-CDC2050-747   | 1    |          |
| 5   | CD DOOR          | 100-CDC2050-1302  | 1    |          |
| 6   | DECORATIVE PLATE | 501-CDC2050-1423A | 1    |          |
| 7   | HANDLE           | 300-CDC2050-750   | 1    |          |
| 8   | TOP COVER        | 300-CDC2050-748   | 1    |          |
| 9   | BACK CHASSIS     | 300-CDC2050-749   | 1    |          |
| 10  | AC JACK ASS'Y    | 704-CDC2050A-3193 | 1    | 2050/A-C |

