

**SERVICE**

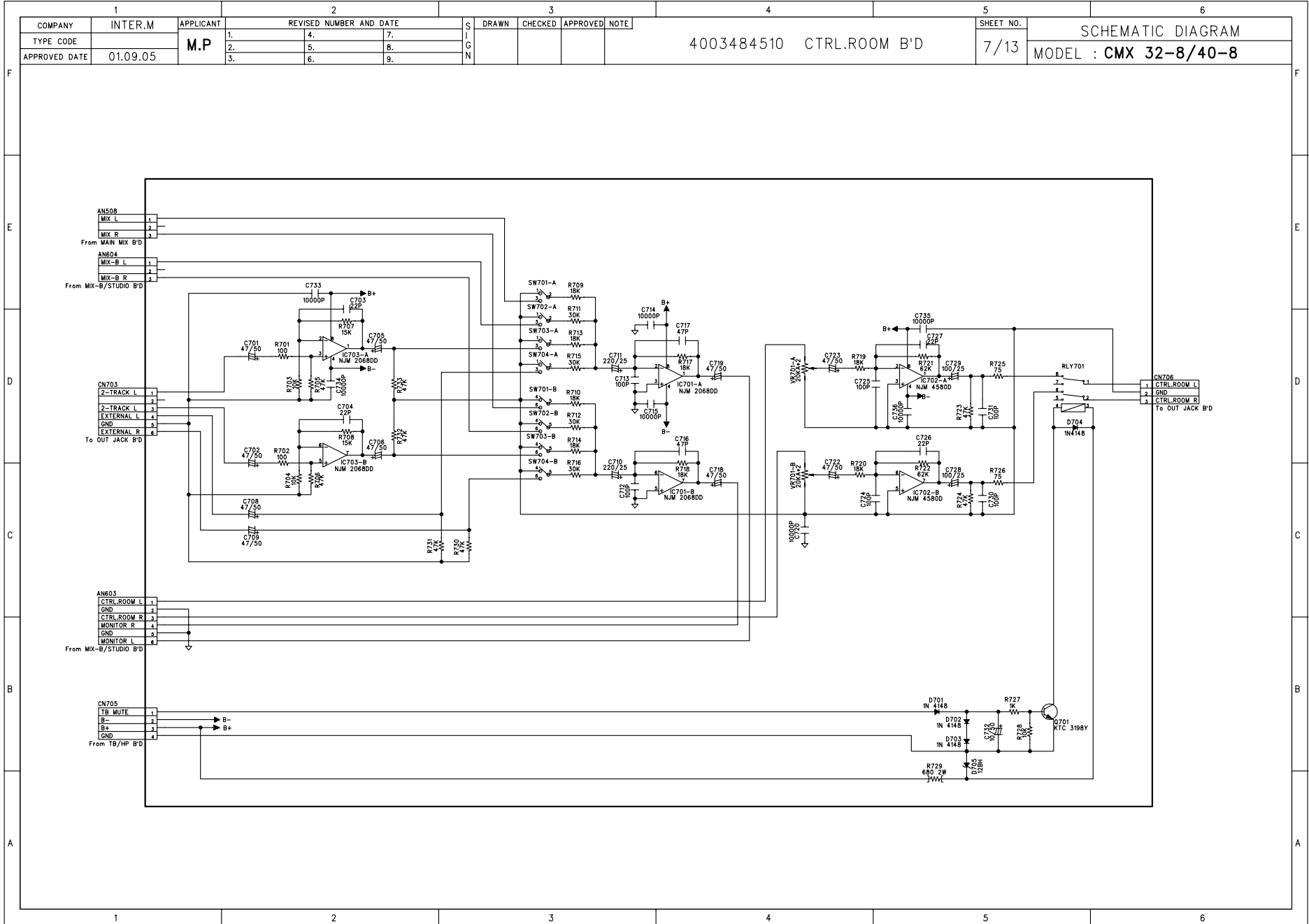
**MANUAL**

8 B U S M I X I N G

**CONSOLE**

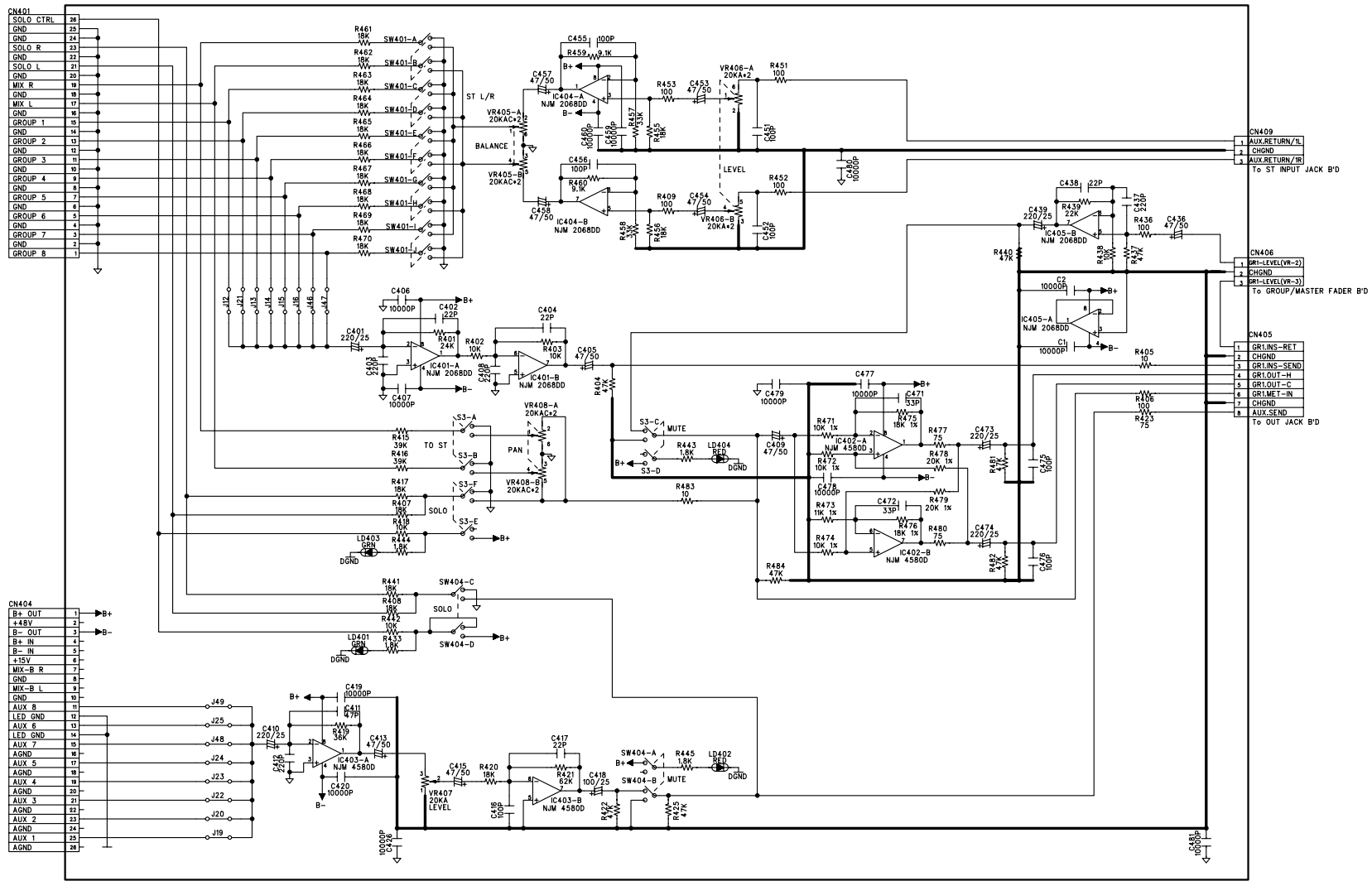
**CMX-1668/2468/3268**

**interM**



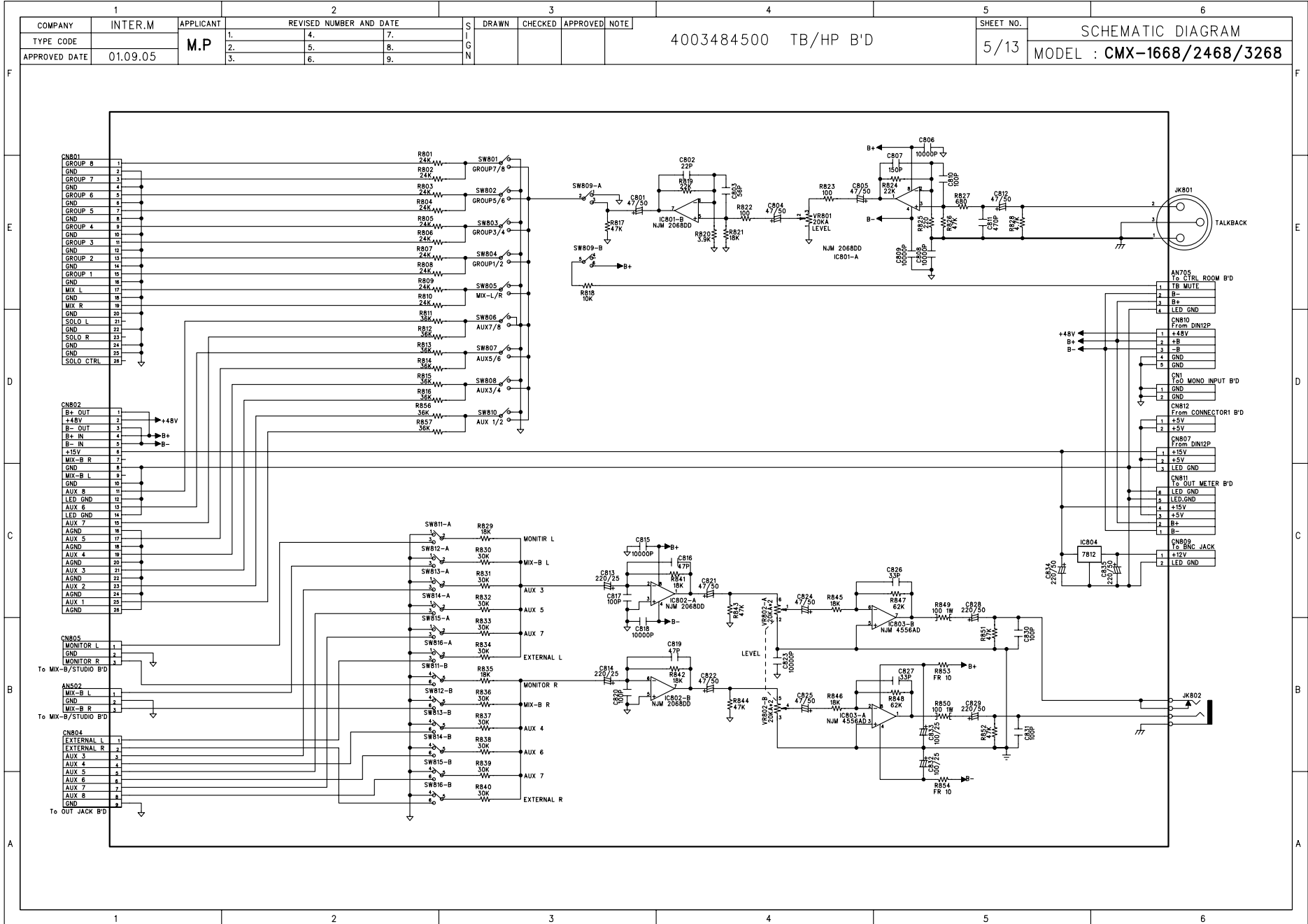
1		2		3		4		5		6	
COMPANY	INTER.M	APPLICANT	REVISED NUMBER AND DATE			DRAWN	CHECKED	APPROVED	NOTE	SHEET NO.	SCHEMATIC DIAGRAM
TYPE CODE		M.P	1.	4.	7.					3/13	
APPROVED DATE	01.09.05		2.	5.	8.						MODEL : CMX-1668/2468/3268
			3.	6.	9.						

4003484700 GROUP B'D

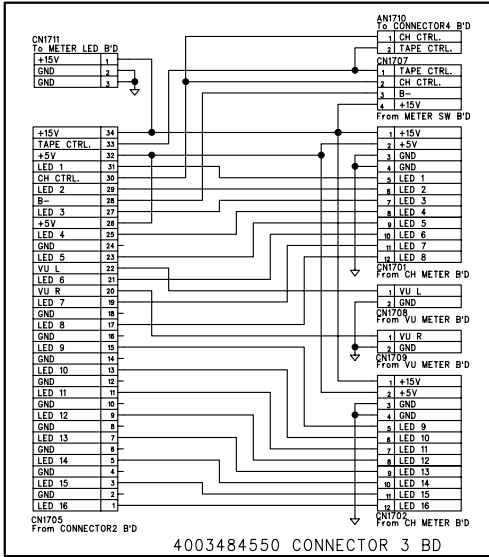
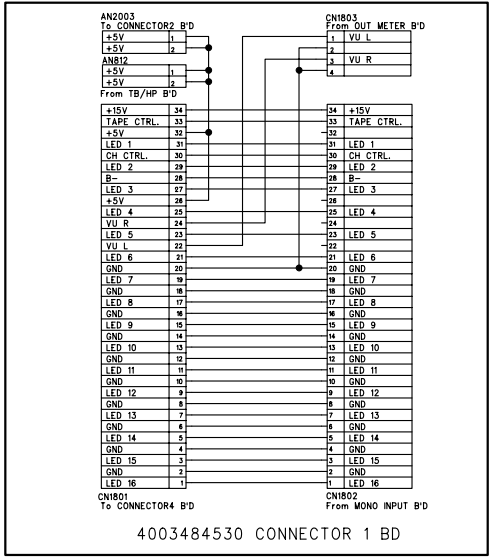
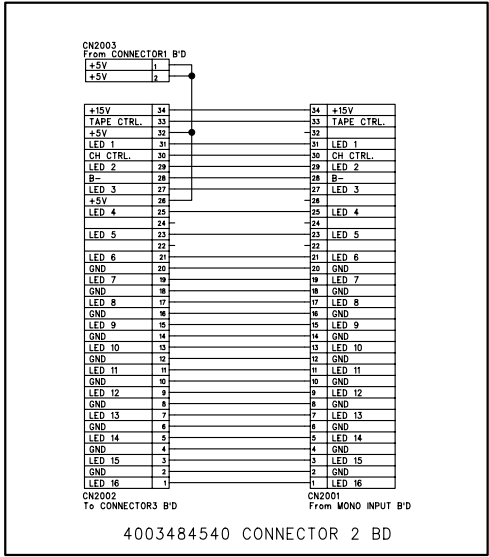
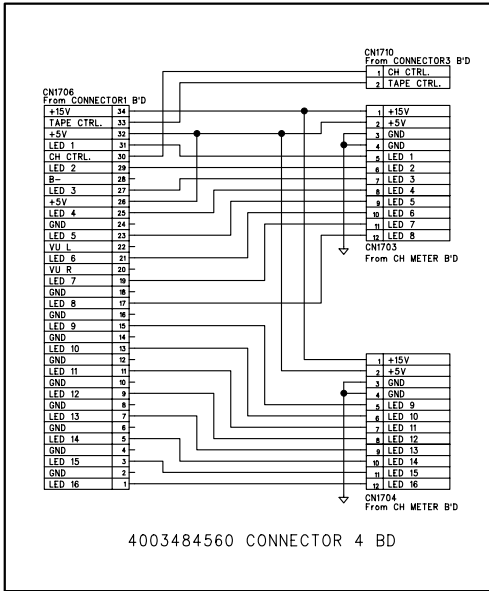
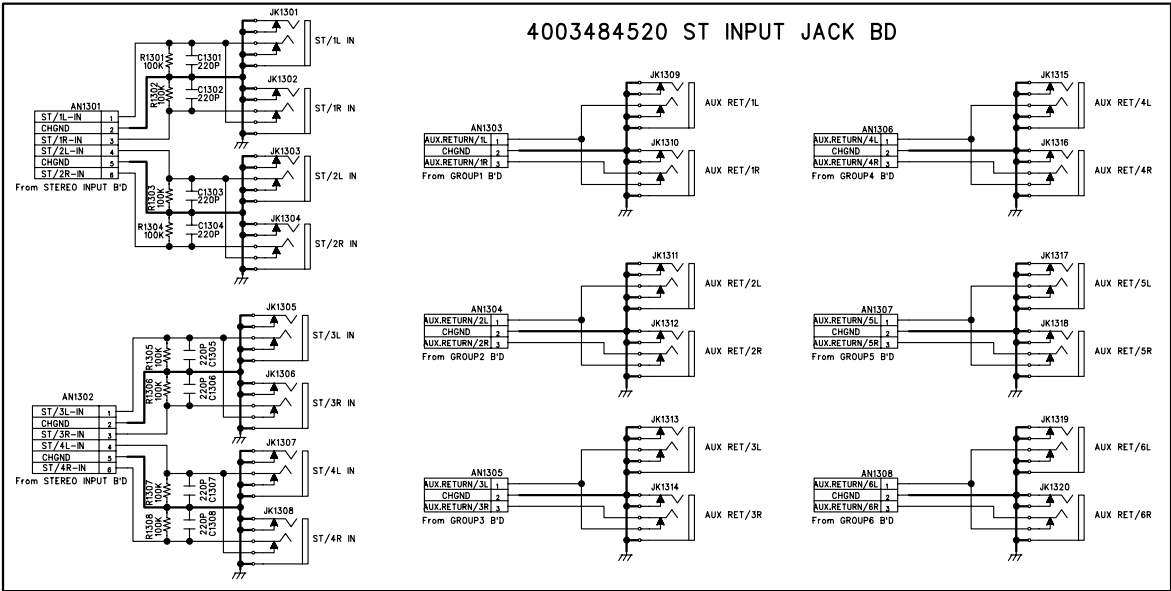


	J19, J12	J20, J21	J22, J13	J23, J14	J24, J15	J25, J16	J48, J46	J49, J47
GROUP 1	YES	NO	NO	NO	NO	NO	NO	NO
GROUP 2	NO	YES	NO	NO	NO	NO	NO	NO
GROUP 3	NO	NO	YES	NO	NO	NO	NO	NO
GROUP 4	NO	NO	NO	YES	NO	NO	NO	NO

	J19, J12	J20, J21	J22, J13	J23, J14	J24, J15	J25, J16	J48, J46	J49, J47
GROUP 5	NO	NO	NO	NO	NO	NO	NO	NO
GROUP 6	NO	NO	NO	NO	NO	YES	NO	NO
GROUP 7	NO	NO	NO	NO	NO	NO	YES	NO
GROUP 8	NO	NO	NO	NO	NO	NO	NO	YES



1		2		3		4		5		6	
COMPANY	INTER.M	APPLICANT	REVISED NUMBER AND DATE			DESIGN	DRAWN	CHECKED	APPROVED	NOTE	SHEET NO.
TYPE CODE		M.P	1.	4.	7.						12/13
APPROVED DATE	01.09.05		2.	5.	8.						SCHEMATIC DIAGRAM
			3.	6.	9.						MODEL : CMX-1668/2468/3268

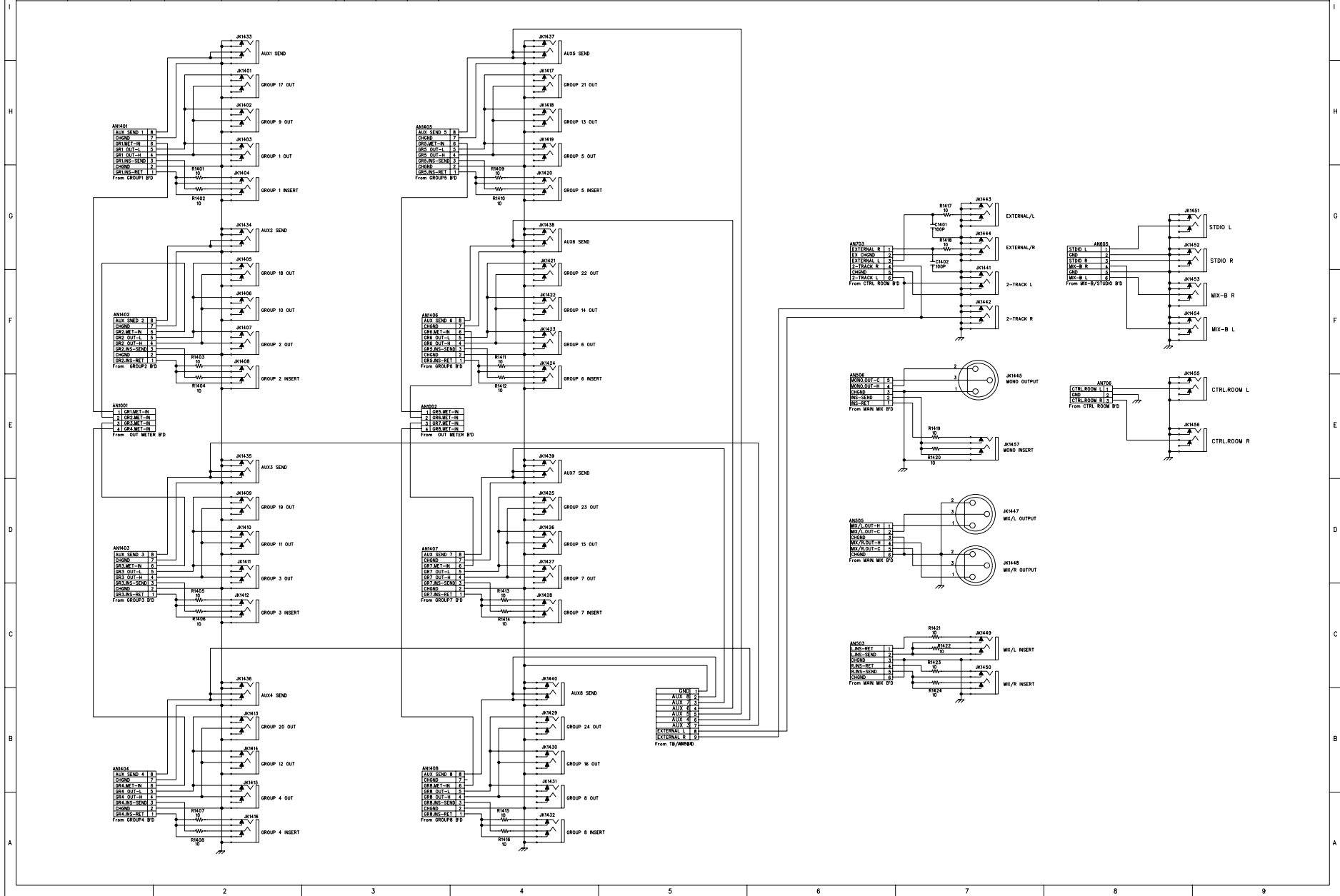


COMPANY	INTER.M	APPLICANT	REVISED NUMBER AND DATE			DRAWN	CHECKED	APPROVED	NOTE	6	7	8	9
TYPE CODE		M.P	1.	4.	7.	G							
APPROVED DATE	01.09.05		2.	5.	8.								
			3.	6.	9.								

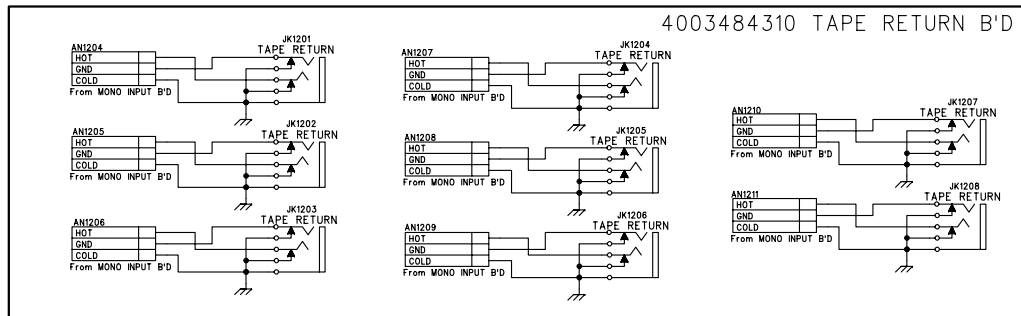
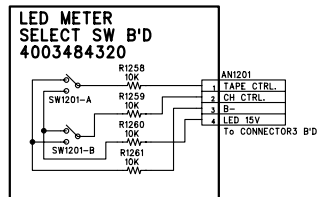
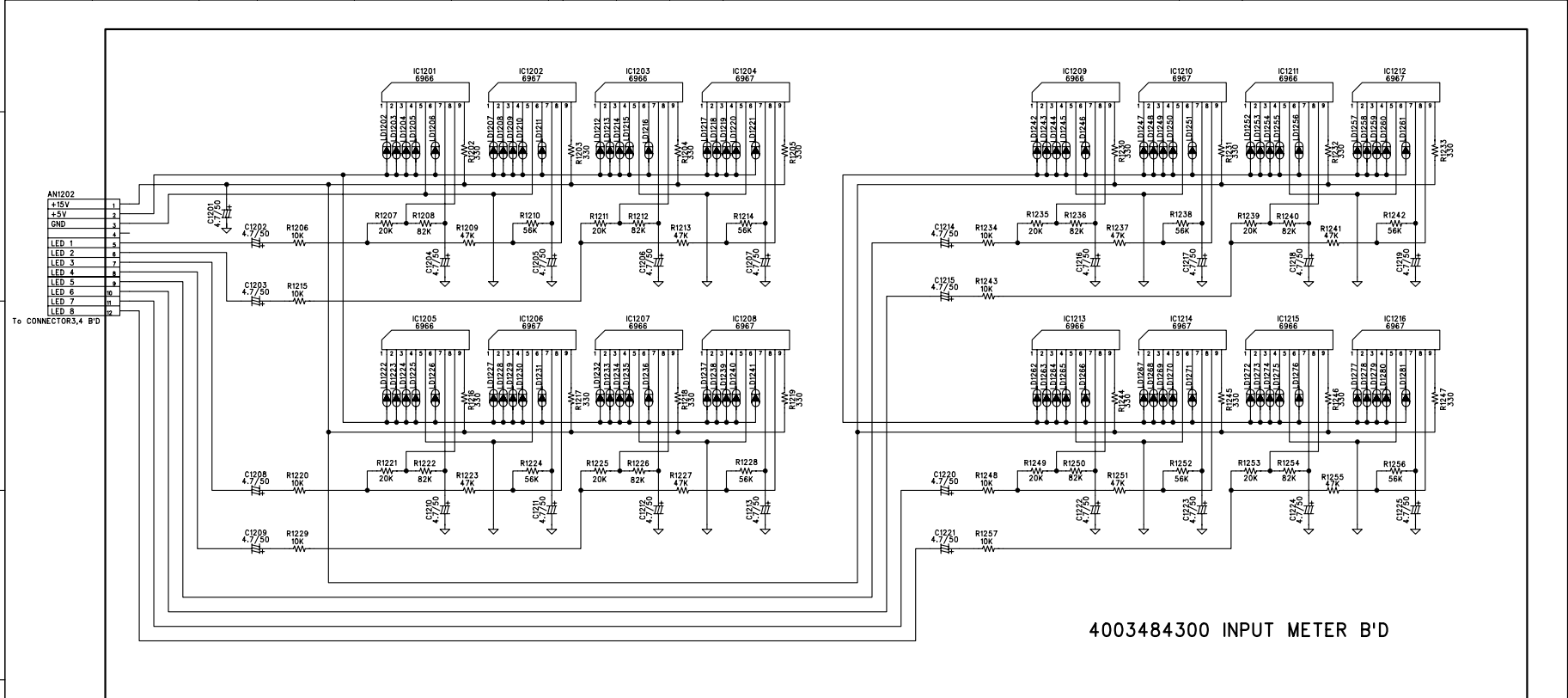
OUTPUT JACK BD  
4003484400

SHEET NO. 13/13

SCHEMATIC DIAGRAM  
MODEL : CMX-1668/2468/3268

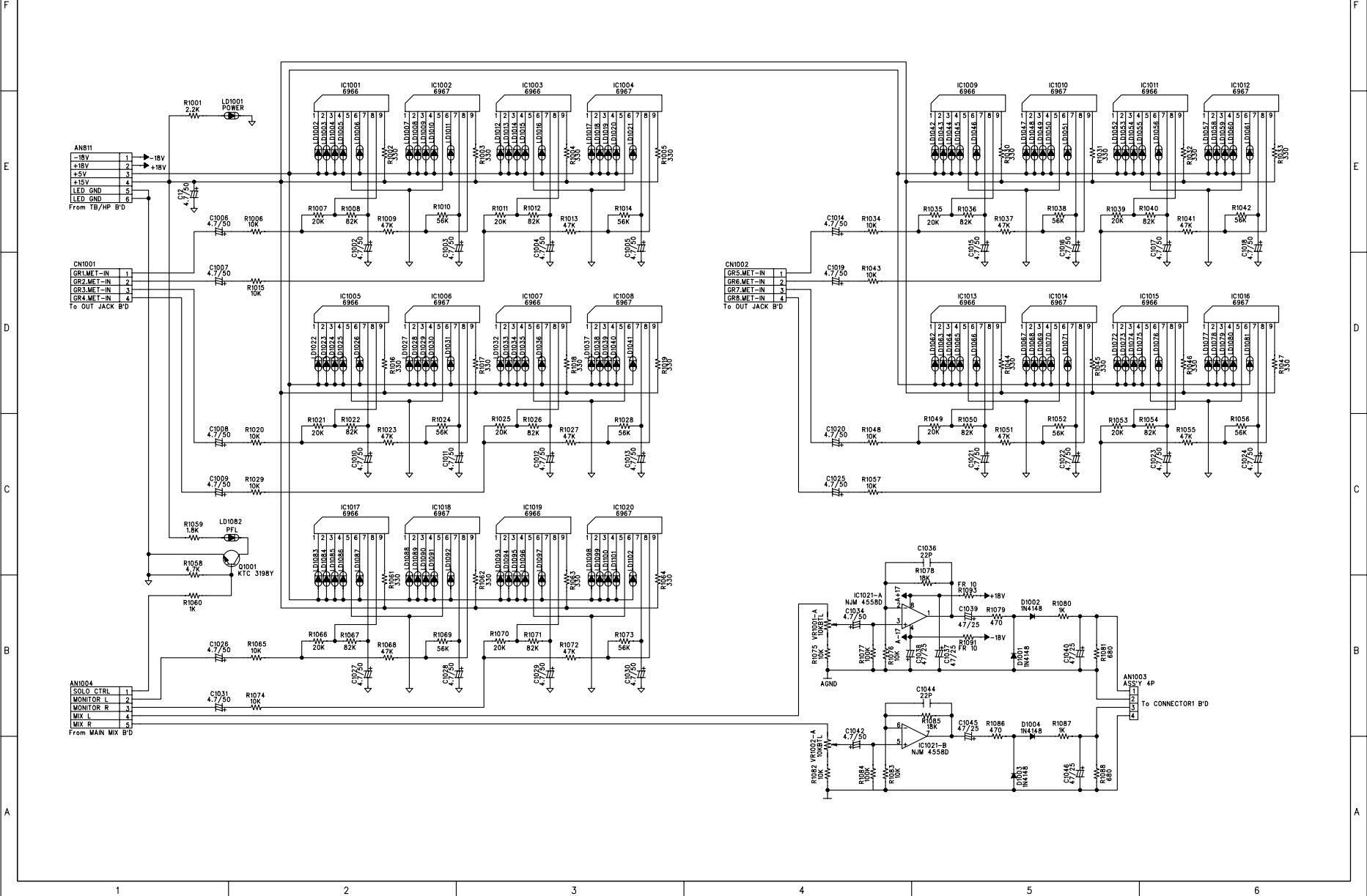


1		2		3		4		5		6	
COMPANY	INTER.M	APPLICANT	REVISED NUMBER AND DATE			S	DRAWN	CHECKED	APPROVED	NOTE	SHEET NO.
TYPE CODE		M.P	1.	4.	7.	GIN					10/13
APPROVED DATE	01.09.05		2.	5.	8.						SCHEMATIC DIAGRAM
			3.	6.	9.						MODEL : CMX-1668/2468/3268



1		2		3		4		5		6	
COMPANY	INTER.M	APPLICANT	REVISED NUMBER AND DATE			SIGN	DRAWN	CHECKED	APPROVED	NOTE	SHEET NO.
TYPE CODE		M.P	1.	4.	7.						SCHEMATIC DIAGRAM
APPROVED DATE	01.09.05		2.	5.	8.						MODEL : CMX-1668/2468/3268
			3.	6.	9.						11/13

### 4003484410 OUT LED METER



ANB11

-18V	1
+18V	2
+5V	3
+15V	4
LED GND	5
LED GND	6

From TB/HP B'D

CN1001

GR1.MET-IN	1
GR2.MET-IN	2
GR3.MET-IN	3
GR4.MET-IN	4

To OUT JACK B'D

AN1003

ISO O CTRL	1
MONITOR L	2
MONITOR R	3
MIX L	4
MIX R	5
MIX	6

From MAIN MIX B'D

CN1002

GR5.MET-IN	1
GR6.MET-IN	2
GR7.MET-IN	3
GR8.MET-IN	4

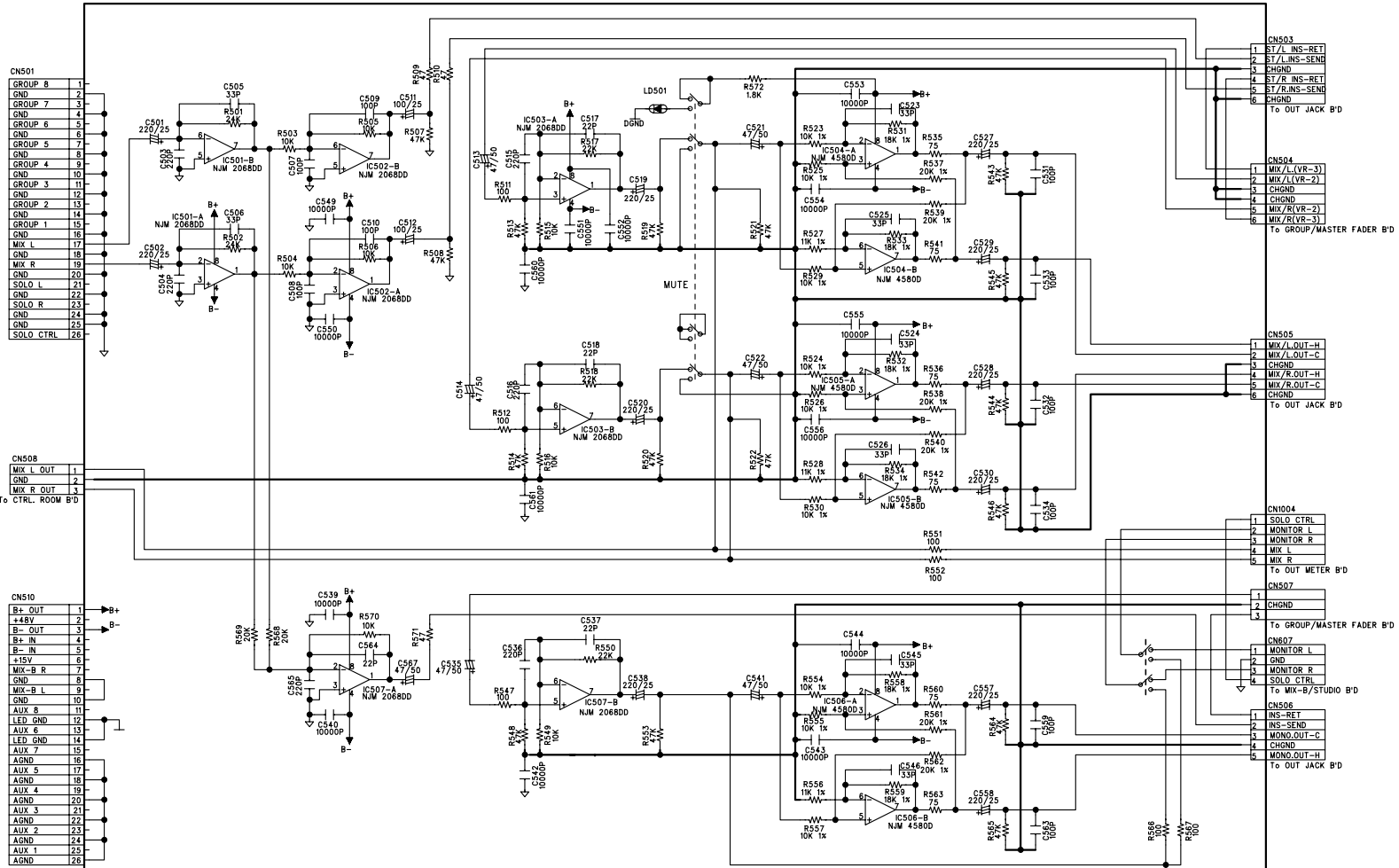
To OUT JACK B'D

AN1003 ASSY 4P  
To CONNECTOR1 B'D



1		2		3		4		5		6		
COMPANY	INTER.M	APPLICANT	REVISED NUMBER AND DATE			SIGN	DRAWN	CHECKED	APPROVED	NOTE	SHEET NO.	SCHEMATIC DIAGRAM
TYPE CODE		M.P	1.	4.	7.						4/13	MODEL : CMX-1668/2468/3268
APPROVED DATE	01.09.05		2.	5.	8.							
			3.	6.	9.							

4003484200 MAIN MIX B'D



- CNS01
- GROUP 8 1
  - GND 2
  - GROUP 7 3
  - GND 4
  - GROUP 6 5
  - GND 6
  - GROUP 5 7
  - GND 8
  - GROUP 4 9
  - GROUP 3 11
  - GND 12
  - GROUP 2 13
  - GND 14
  - GROUP 1 15
  - MIX L 16
  - GND 17
  - MIX R 18
  - GND 19
  - SOLO L 20
  - GND 21
  - SOLO R 22
  - GND 23
  - SOLO CTRL 24
  - GND 25
  - SOLO CTRL 26

- CNS08
- MIX L OUT 1
  - GND 2
  - MIX R OUT 3
- To CTRL. ROOM B'D

- CNS10
- B+ OUT 1
  - +48V 2
  - B- OUT 3
  - B+ IN 4
  - B- IN 5
  - +15V 6
  - MIX-B R 7
  - GND 8
  - MIX-B L 9
  - GND 10
  - AUX 8 11
  - LED GND 12
  - AUX 6 13
  - LED GND 14
  - AUX 7 15
  - AGND 16
  - AUX 5 17
  - AGND 18
  - AUX 4 19
  - AGND 20
  - AUX 3 21
  - AGND 22
  - AUX 2 23
  - AGND 24
  - AUX 1 25
  - AGND 26

- CNS03
- 1 ST/L INS-RET
  - 2 ST/L INS-SEND
  - 3 CHGND
  - 4 ST/R INS-RET
  - 5 ST/R INS-SEND
  - 6 CHGND
- To OUT JACK B'D

- CNS04
- 1 MIX/L(VR-3)
  - 2 MIX/L(VR-2)
  - 3 CHGND
  - 4 CHGND
  - 5 MIX/R(VR-2)
  - 6 MIX/R(VR-3)
- To GROUP/MASTER FADER B'D

- CNS05
- 1 MIX/L OUT-H
  - 2 MIX/L OUT-C
  - 3 CHGND
  - 4 MIX/R OUT-H
  - 5 MIX/R OUT-C
  - 6 CHGND
- To OUT JACK B'D

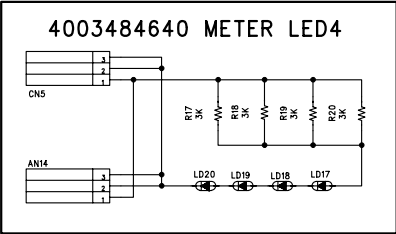
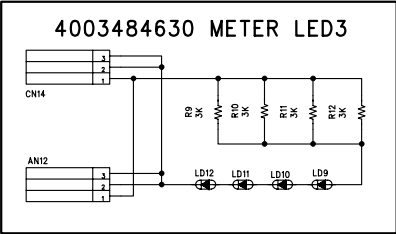
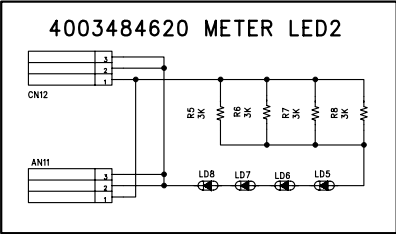
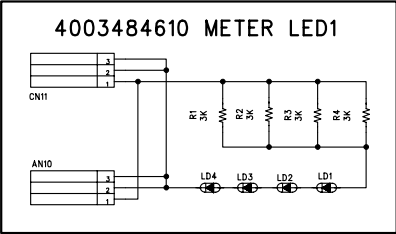
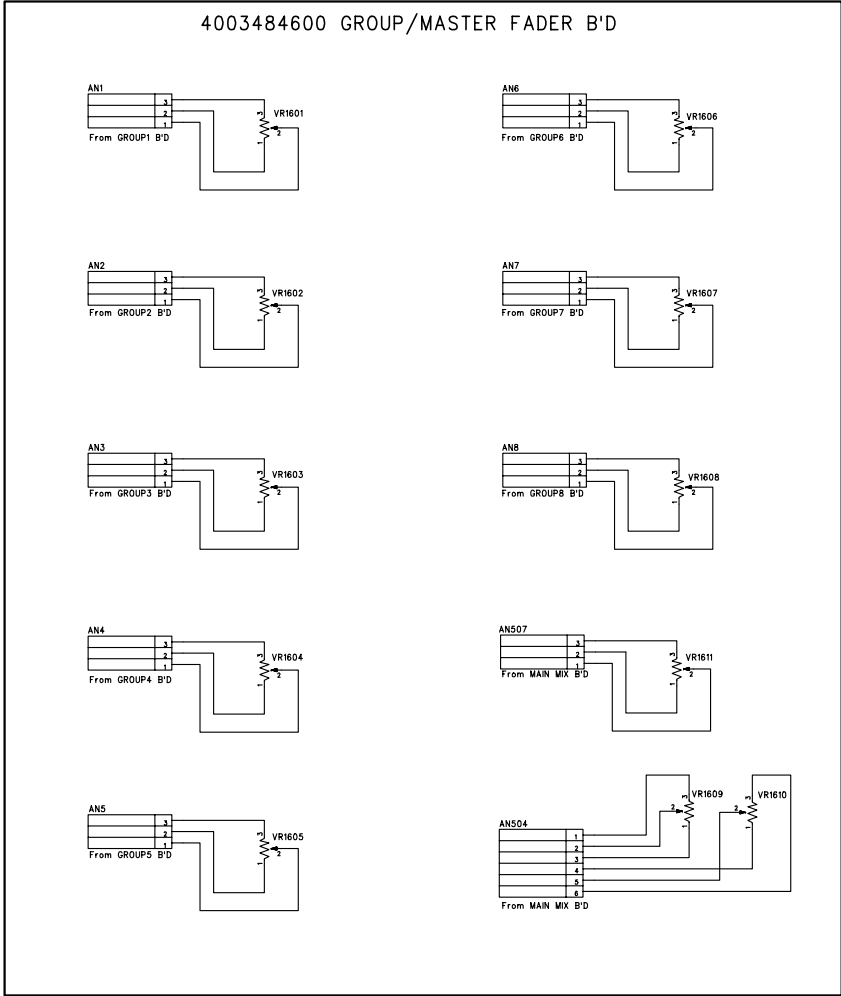
- CNI004
- 1 SOLO CTRL
  - 2 MONITOR L
  - 3 MONITOR R
  - 4 MIX L
  - 5 MIX R
- To OUT METER B'D

- CNS07
- 1 CHGND
  - 2 CHGND
  - 3 CHGND
- To GROUP/MASTER FADER B'D

- CNS09
- 1 MONITOR L
  - 2 GND
  - 3 MONITOR R
  - 4 SOLO CTRL
  - 5 MONO OUT-H
  - 6 MONO OUT-H
- To MIX-B/STUDIO B'D

- CNS06
- 1 INS-RET
  - 2 INS-SEND
  - 3 MONO OUT-C
  - 4 CHGND
  - 5 MONO OUT-H
- To OUT JACK B'D

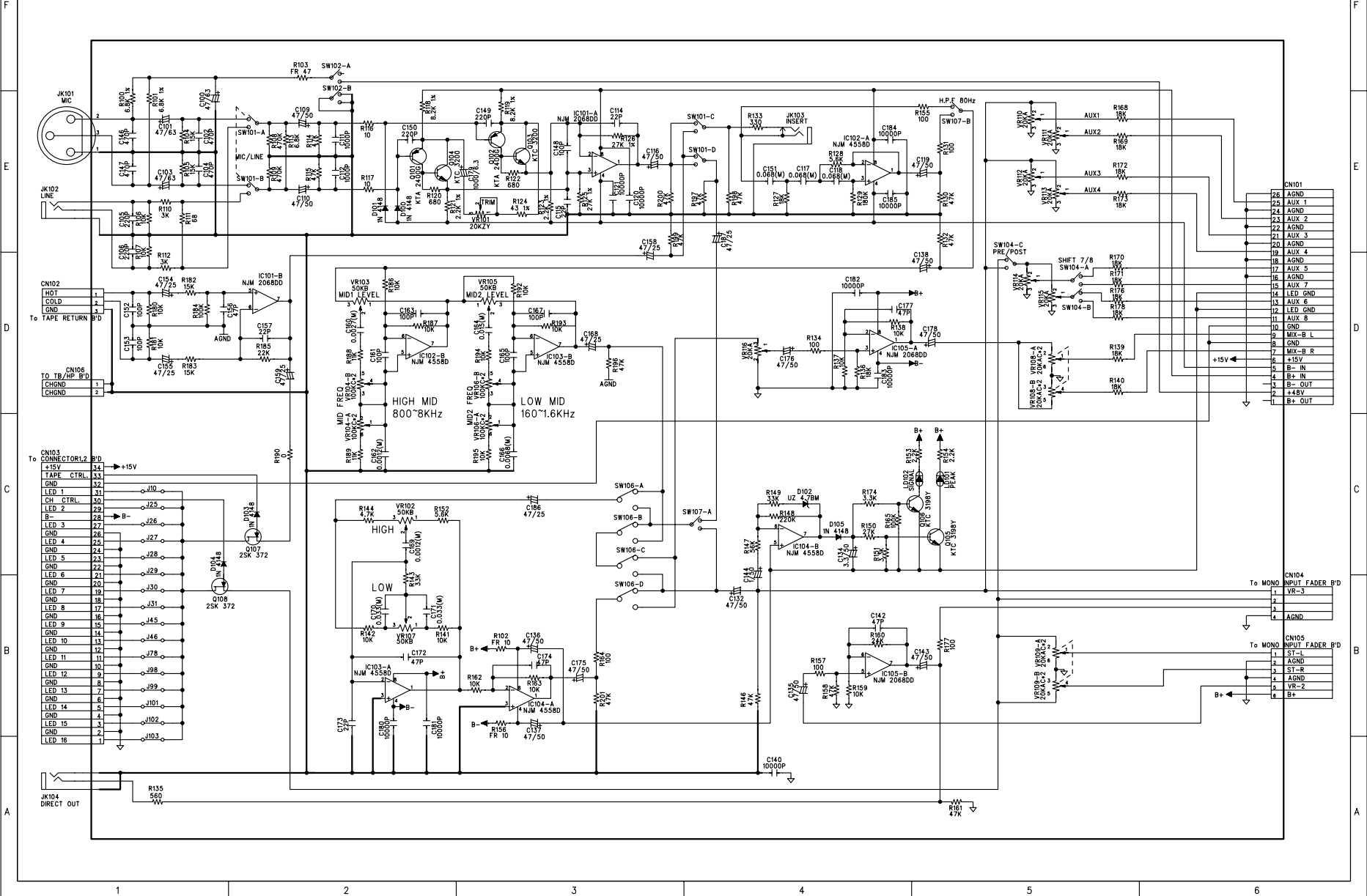
1		2		3		4		5		6		
COMPANY	INTER.M	APPLICANT	REVISED NUMBER AND DATE			SIGN	DRAWN	CHECKED	APPROVED	NOTE	SHEET NO.	SCHEMATIC DIAGRAM MODEL : CMX-1668/2468/3268
TYPE CODE		M.P	1.	4.	7.						9/13	
APPROVED DATE	01.09.05		2.	5.	8.							
			3.	6.	9.							



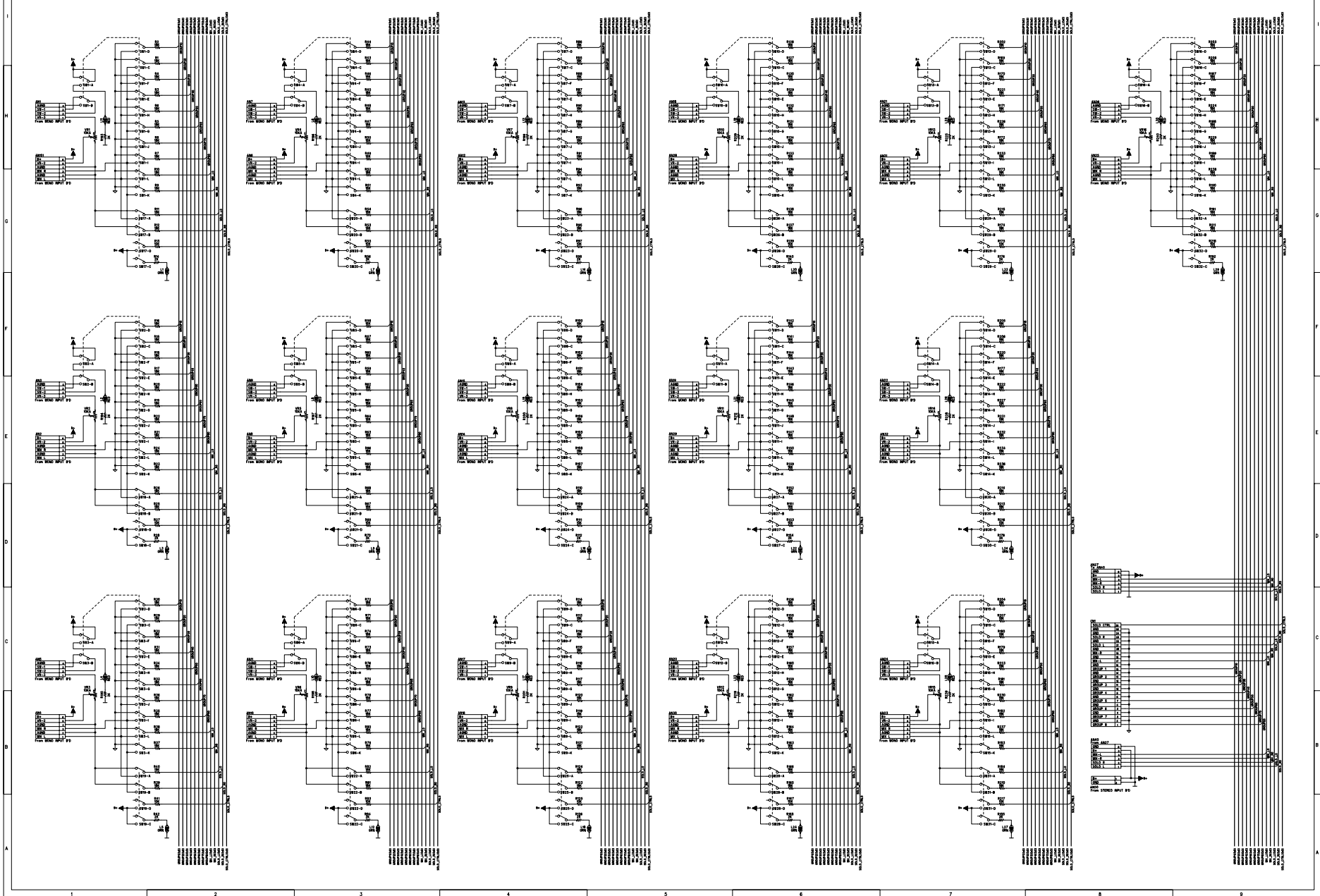
1	2		3			4		5		6		
COMPANY	INTER.M	APPLICANT	REVISED NUMBER AND DATE			S	DRAWN	CHECKED	APPROVED	NOTE	SHEET NO.	SCHEMATIC DIAGRAM
TYPE CODE	01.09.05	M.P	1.	4.	7.						1/13	MODEL : CMX-1668/2468/3268
APPROVED DATE			2.	5.	8.							
			3.	6.	9.							

4003485000 MONO INPUT B'D

SHEET NO. 1/13  
SCHEMATIC DIAGRAM  
MODEL : CMX-1668/2468/3268



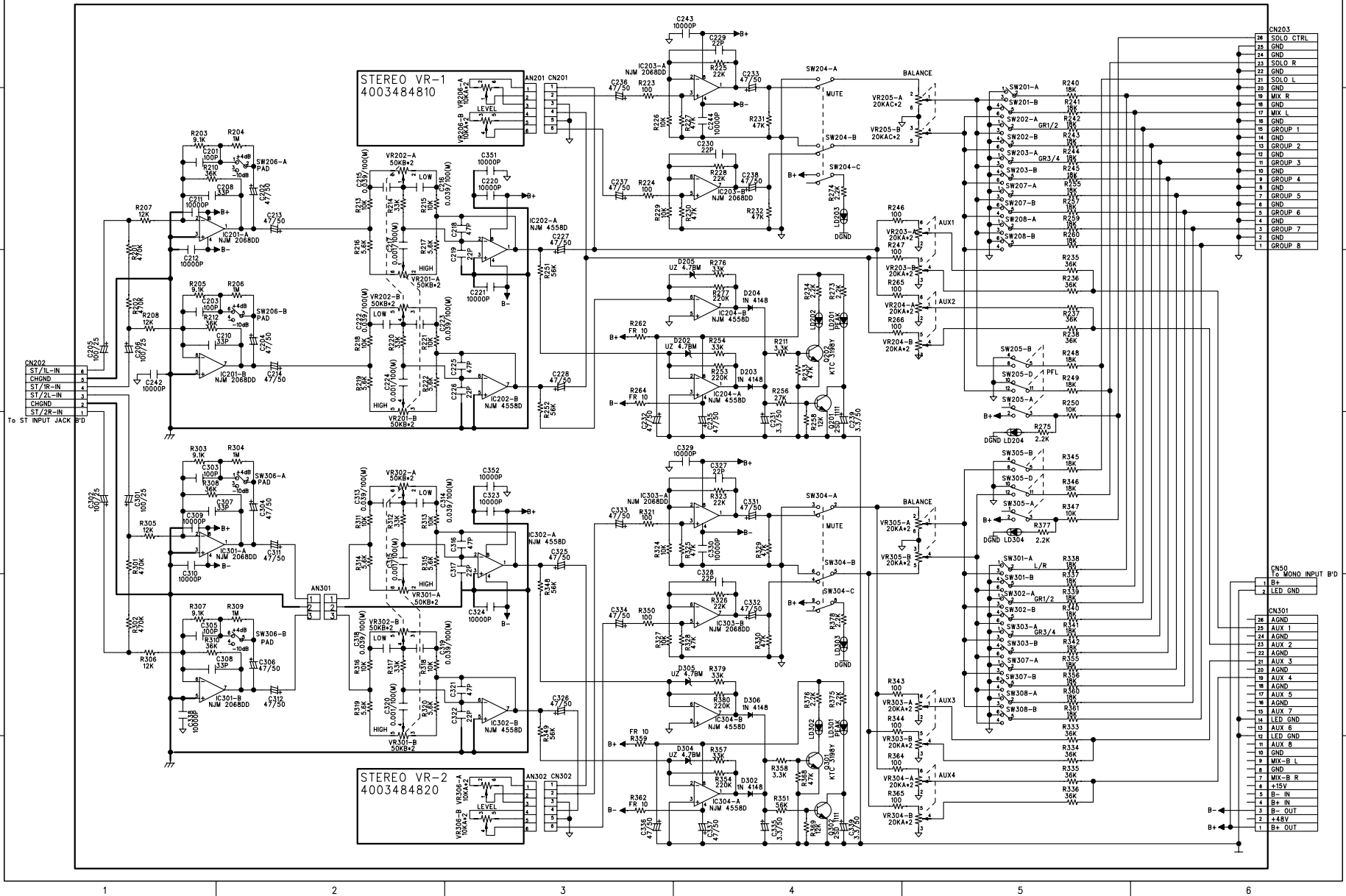
COMPANY		INTER.M	APPLICANT	REVISED NUMBER AND DATE		1	2	3	4	5	6	7	8	9
TYPE CODE			M.P.	1	2	3	4	5	6	7	8	9	DRAWN CHECKED APPROVED NOTE	
APPROVED DATE		01.09.05											MONO FADER B'D 4003484900 A1 8/13	
												WIRING DIAGRAM MODEL : CMX-1668/2468/3268		



COMPANY	INTER.M	APPLICANT	REVISED NUMBER AND DATE			S I G N	DRAWN	CHECKED	APPROVED	NOTE
TYPE CODE		M.P	1.	4.	7.					
APPROVED DATE	01.09.05		2.	5.	8.					

4003484800 STEREO INPUT BD

SHEET NO.	SCHEMATIC DIAGRAM
2/13	MODEL : CMX-1668/2468/3268



- CN203
  - 24 SOLO CTRL
  - 24 GND
  - 24 GND
  - 24 SOLO R
  - 24 GND
  - 21 SOLO L
  - 20 GND
  - 19 MIX R
  - 18 GND
  - 17 MIX L
  - 16 GND
  - 15 GROUP 1
  - 14 GND
  - 13 GROUP 2
  - 12 GND
  - 11 GROUP 3
  - 10 GND
  - 9 GROUP 4
  - 8 GND
  - 7 GROUP 5
  - 6 GND
  - 5 GROUP 6
  - 4 GND
  - 3 GROUP 7
  - 2 GND
  - 1 GROUP 8
- 
- CN301
  - 24 GND
  - 24 GND
  - 24 GND
  - 21 AUX 1
  - 20 GND
  - 19 AUX 2
  - 18 GND
  - 17 AUX 3
  - 16 GND
  - 15 AUX 4
  - 14 GND
  - 13 AUX 5
  - 12 GND
  - 11 AUX 6
  - 10 GND
  - 9 MIX-B L
  - 8 GND
  - 7 MIX-B R
  - 6 +5V
  - 5 - IN
  - 4 B+ IN
  - 3 B- OUT
  - 2 +4.5V
  - 1 B+ OUT

1		2		3		4		5		6	
COMPANY	INTER.M	APPLICANT	REVISED NUMBER AND DATE			SIGN	DRAWN	CHECKED	APPROVED	NOTE	SHEET NO.
TYPE CODE		M.P	1.	4.	7.						SCHEMATIC DIAGRAM
APPROVED DATE	01.09.05		2.	5.	8.						6/13
			3.	6.	9.						MODEL : CMX-1668/2468/3268

STUDIO & MIX-B OUTPUT BD  
4003484210

