

SERVICE

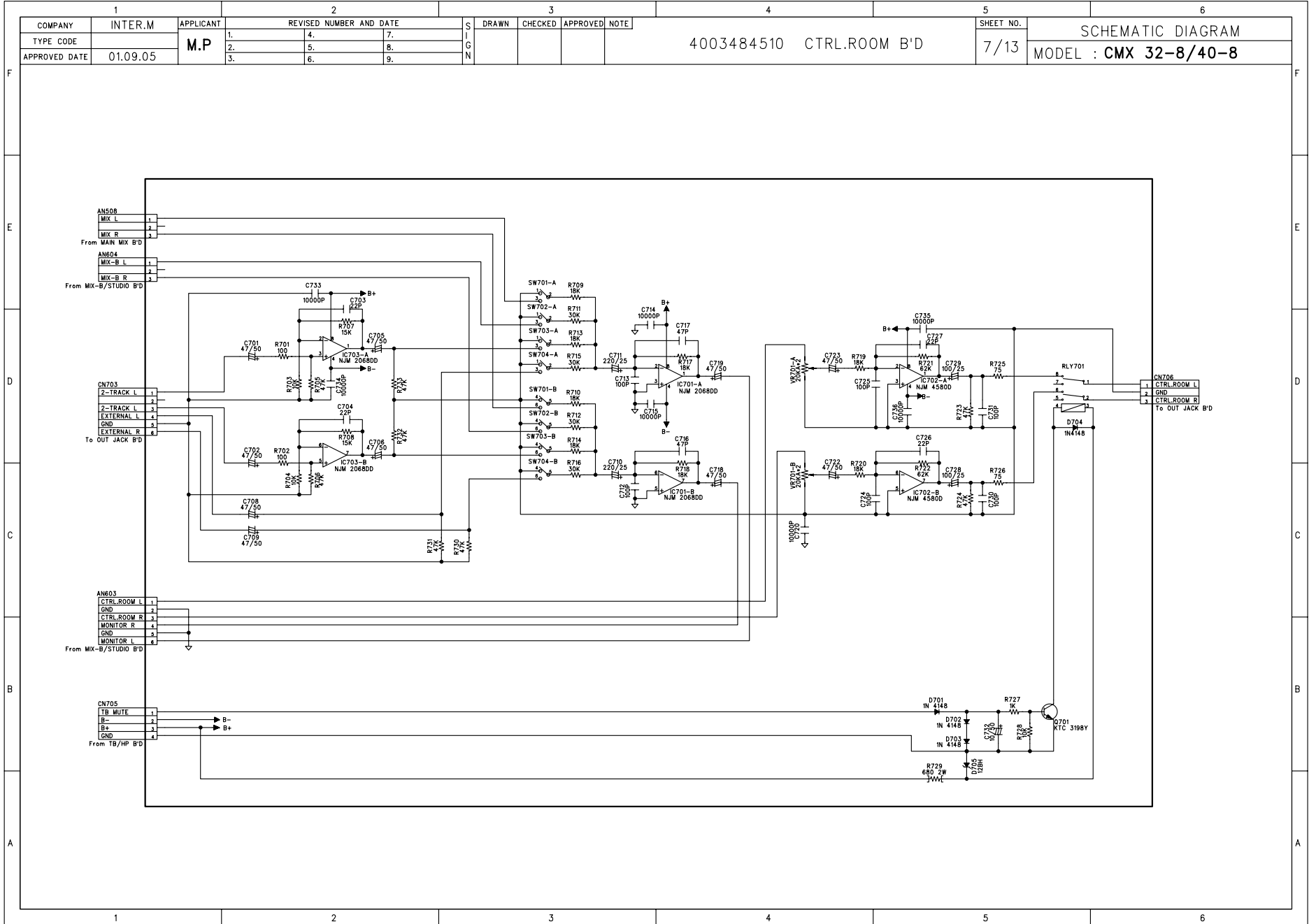
MANUAL

8 B U S M I X I N G

CONSOLE

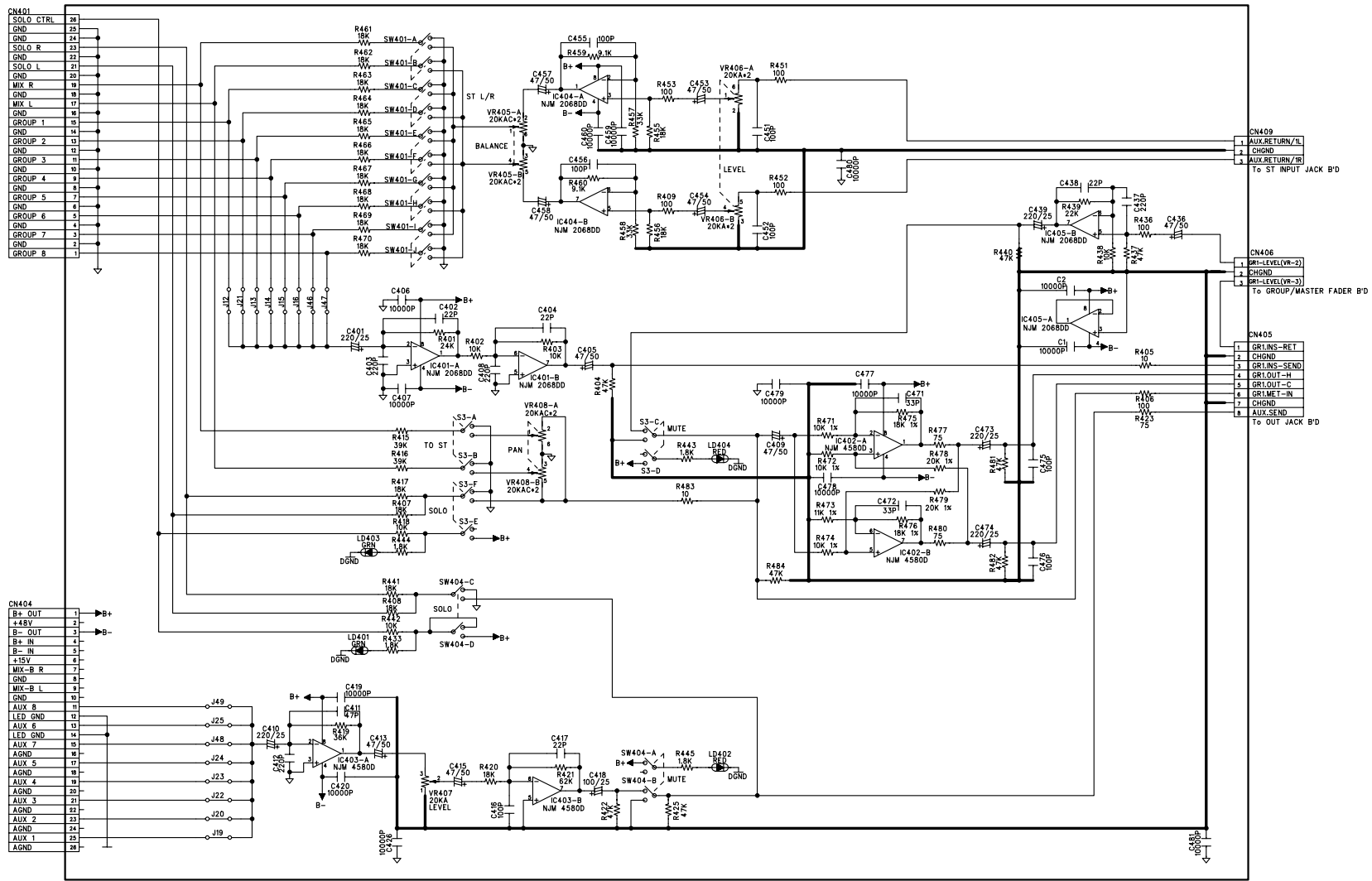
CMX-1668/2468/3268

interM



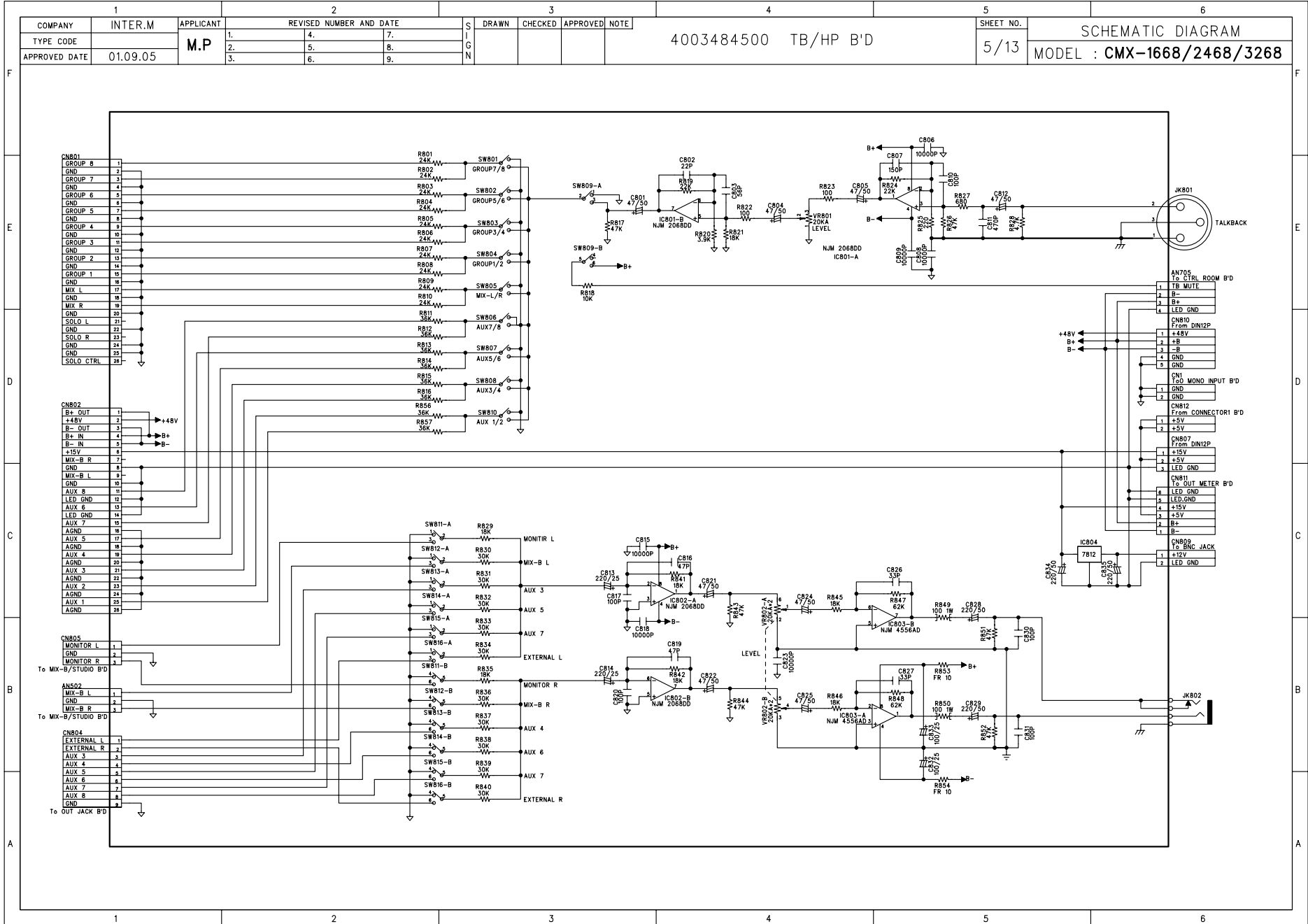
1		2		3		4		5		6	
COMPANY	INTER.M	APPLICANT	REVISED NUMBER AND DATE			DRAWN	CHECKED	APPROVED	NOTE	SHEET NO.	SCHEMATIC DIAGRAM
TYPE CODE		M.P	1.	4.	7.					3/13	
APPROVED DATE	01.09.05		2.	5.	8.						MODEL : CMX-1668/2468/3268
			3.	6.	9.						

4003484700 GROUP B'D

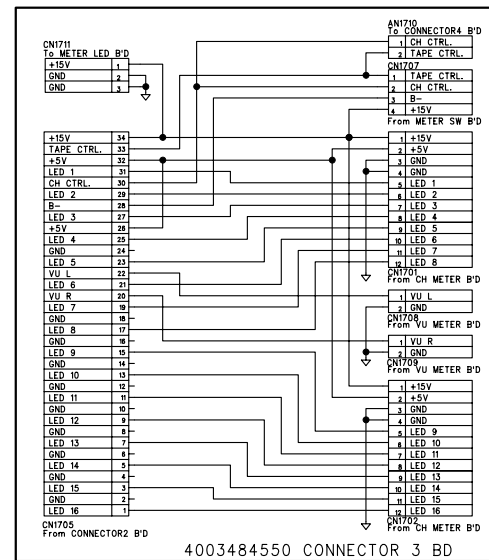
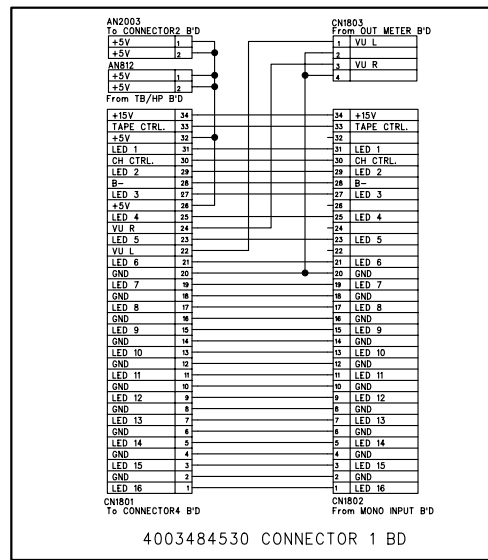
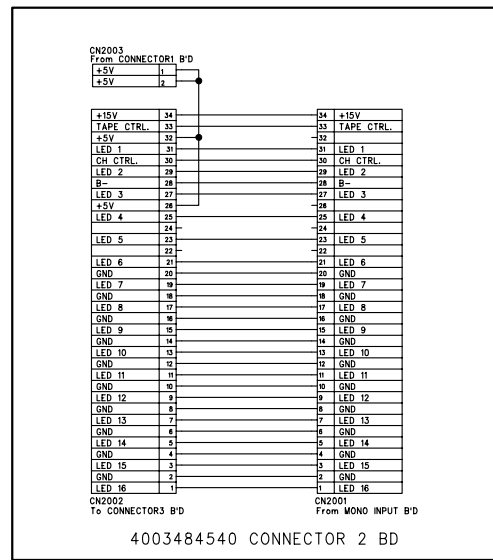
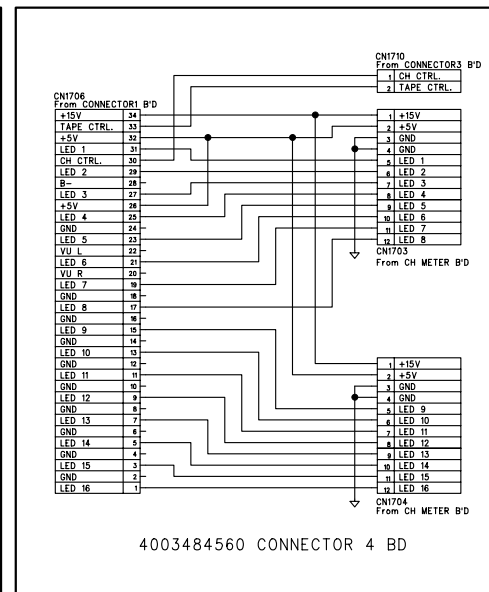
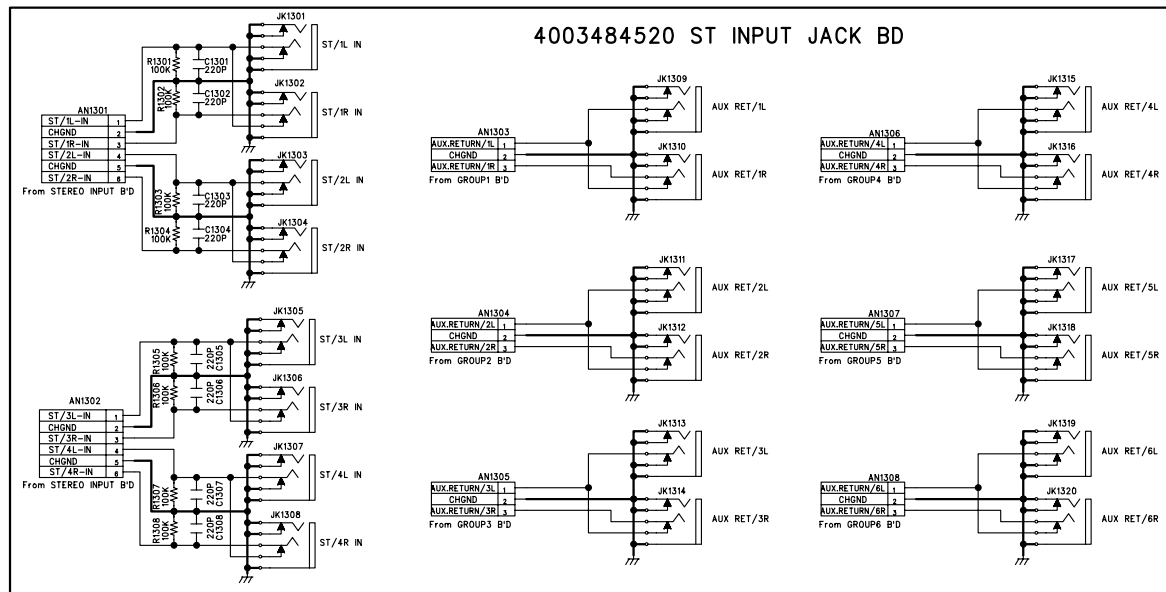


	J19, J12	J20, J21	J22, J13	J23, J14	J24, J15	J25, J16	J48, J46	J49, J47
GROUP 1	YES	NO	NO	NO	NO	NO	NO	NO
GROUP 2	NO	YES	NO	NO	NO	NO	NO	NO
GROUP 3	NO	NO	YES	NO	NO	NO	NO	NO
GROUP 4	NO	NO	NO	YES	NO	NO	NO	NO

	J19, J12	J20, J21	J22, J13	J23, J14	J24, J15	J25, J16	J48, J46	J49, J47
GROUP 5	NO	NO	NO	NO	NO	NO	NO	NO
GROUP 6	NO	NO	NO	NO	NO	YES	NO	NO
GROUP 7	NO	NO	NO	NO	NO	NO	YES	NO
GROUP 8	NO	NO	NO	NO	NO	NO	NO	YES



1		2		3		4		5		6	
COMPANY	INTER.M	APPLICANT	REVISED NUMBER AND DATE			SIGN	DRAWN	CHECKED	APPROVED	NOTE	SHEET NO.
TYPE CODE		M.P	1.	4.	7.						SCHEMATIC DIAGRAM MODEL : CMX-1668/2468/3268
APPROVED DATE	01.09.05		2.	5.	8.					12/13	
			3.	6.	9.						

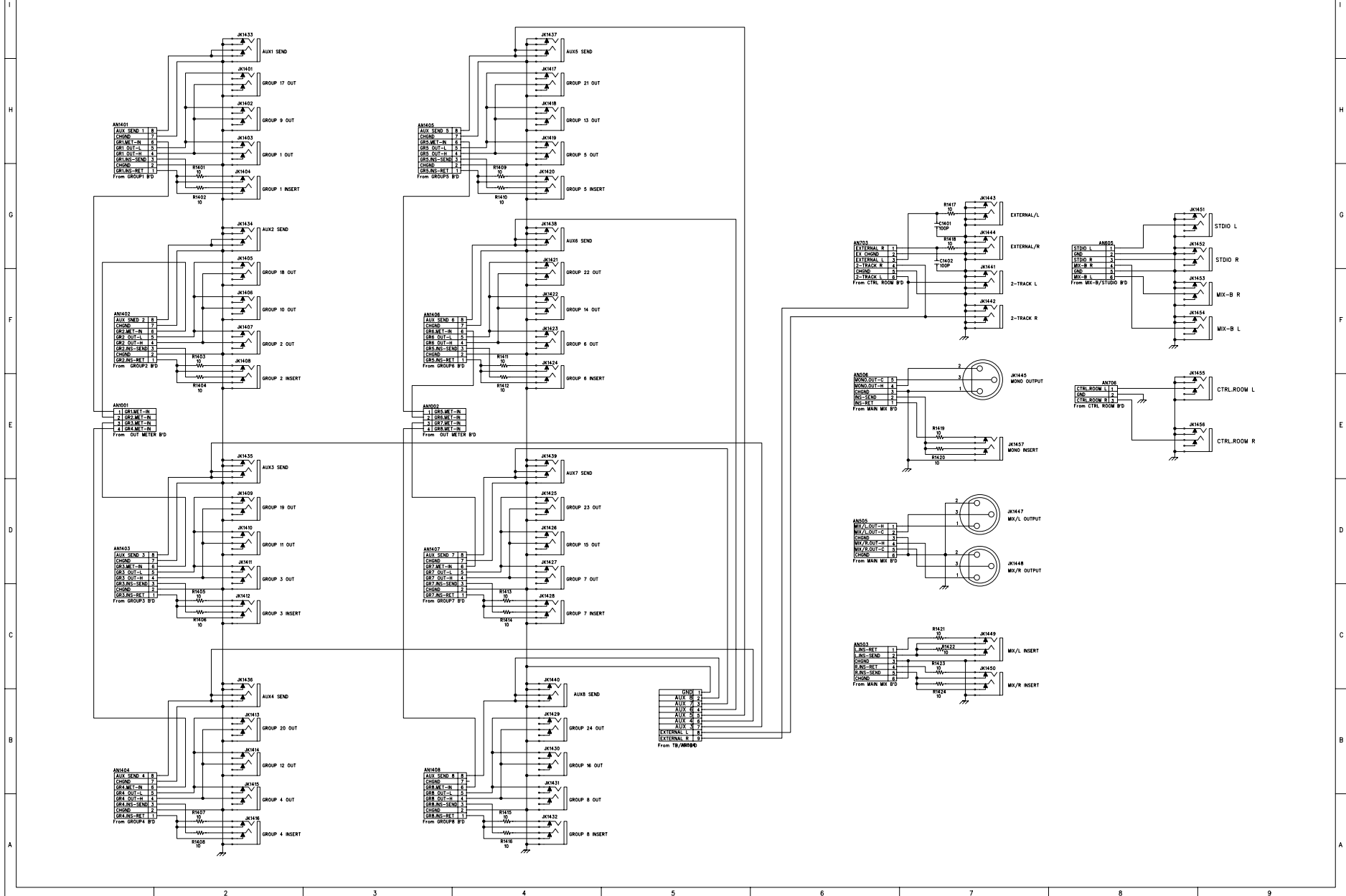


COMPANY	INTER.M	APPLICANT	REVISED NUMBER AND DATE			DRAWN	CHECKED	APPROVED	NOTE	6	7	8	9
TYPE CODE		M.P	1.	4.	7.	G							
APPROVED DATE	01.09.05		2.	5.	8.	G							
			3.	6.	9.	M							

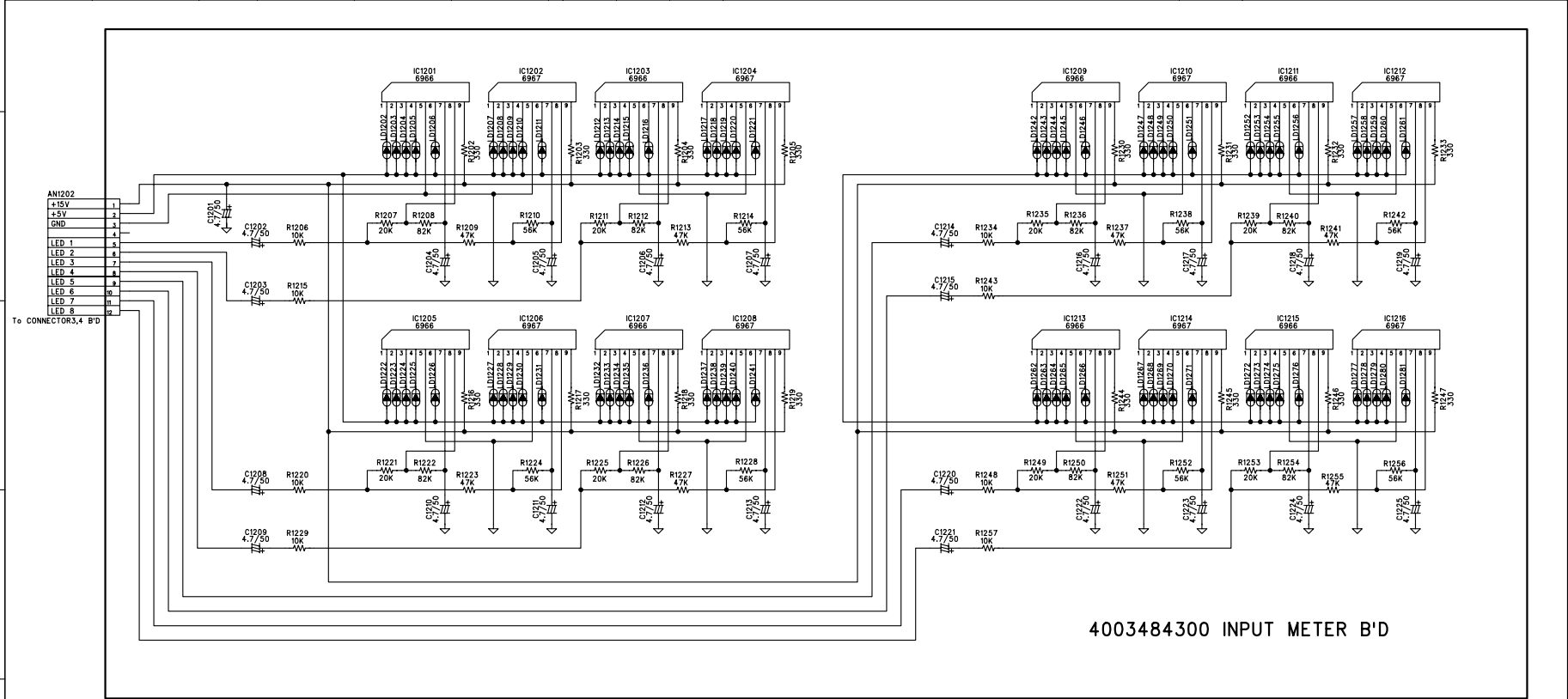
OUTPUT JACK BD
4003484400

SHEET NO.
13/13

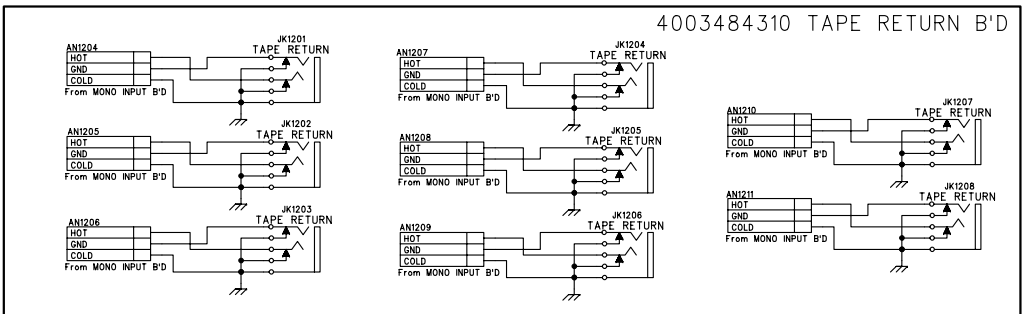
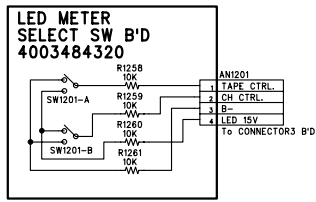
SCHEMATIC DIAGRAM
MODEL : CMX-1668/2468/3268



1		2		3		4		5		6		
COMPANY	INTER.M	APPLICANT	REVISED NUMBER AND DATE			S	DRAWN	CHECKED	APPROVED	NOTE	SHEET NO.	
TYPE CODE		M.P	1.	4.	7.	I					SCHEMATIC DIAGRAM	
APPROVED DATE	01.09.05		2.	5.	8.							10/13
			3.	6.	9.							MODEL : CMX-1668/2468/3268



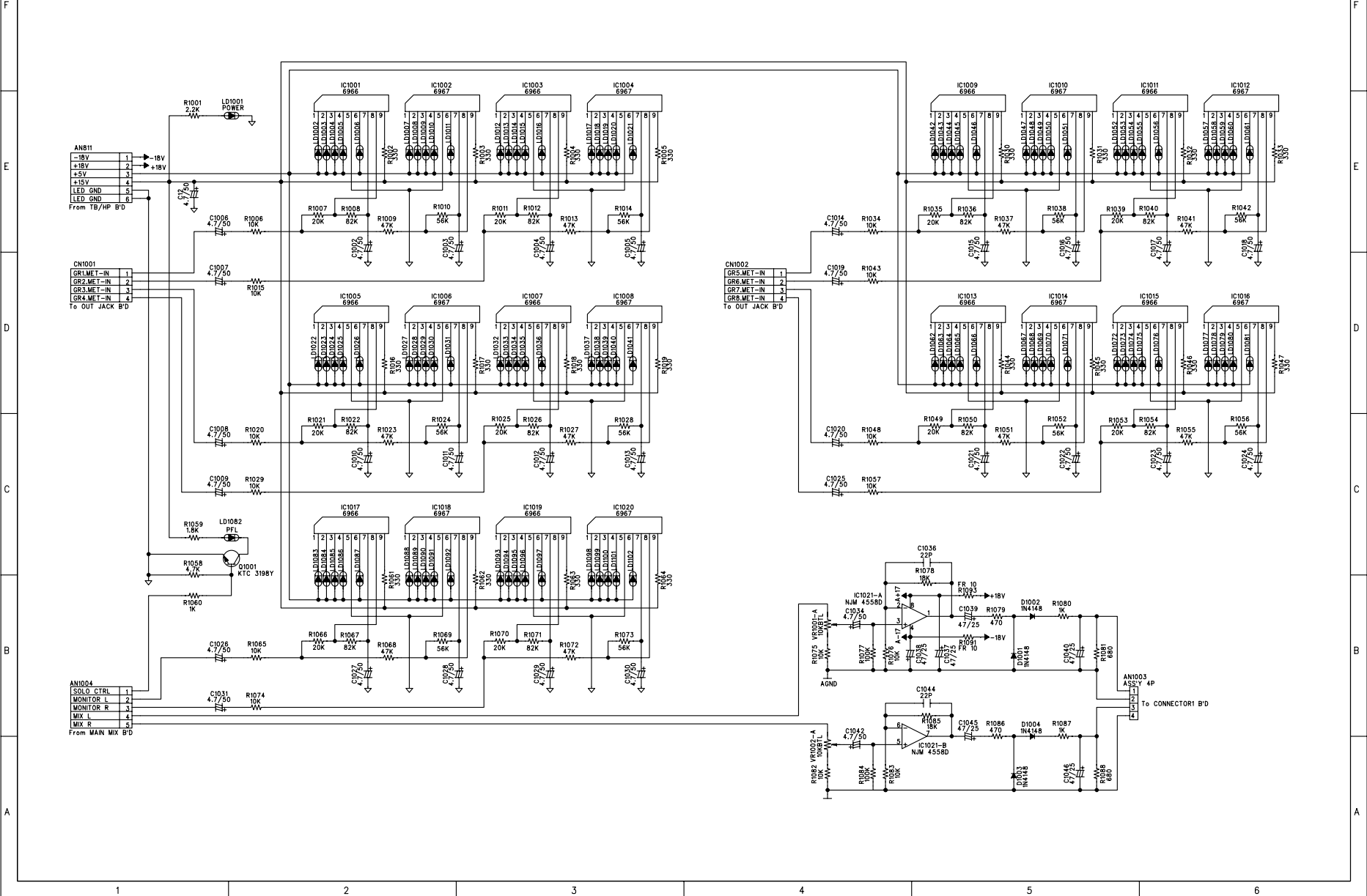
4003484300 INPUT METER B'D



4003484310 TAPE RETURN B'D

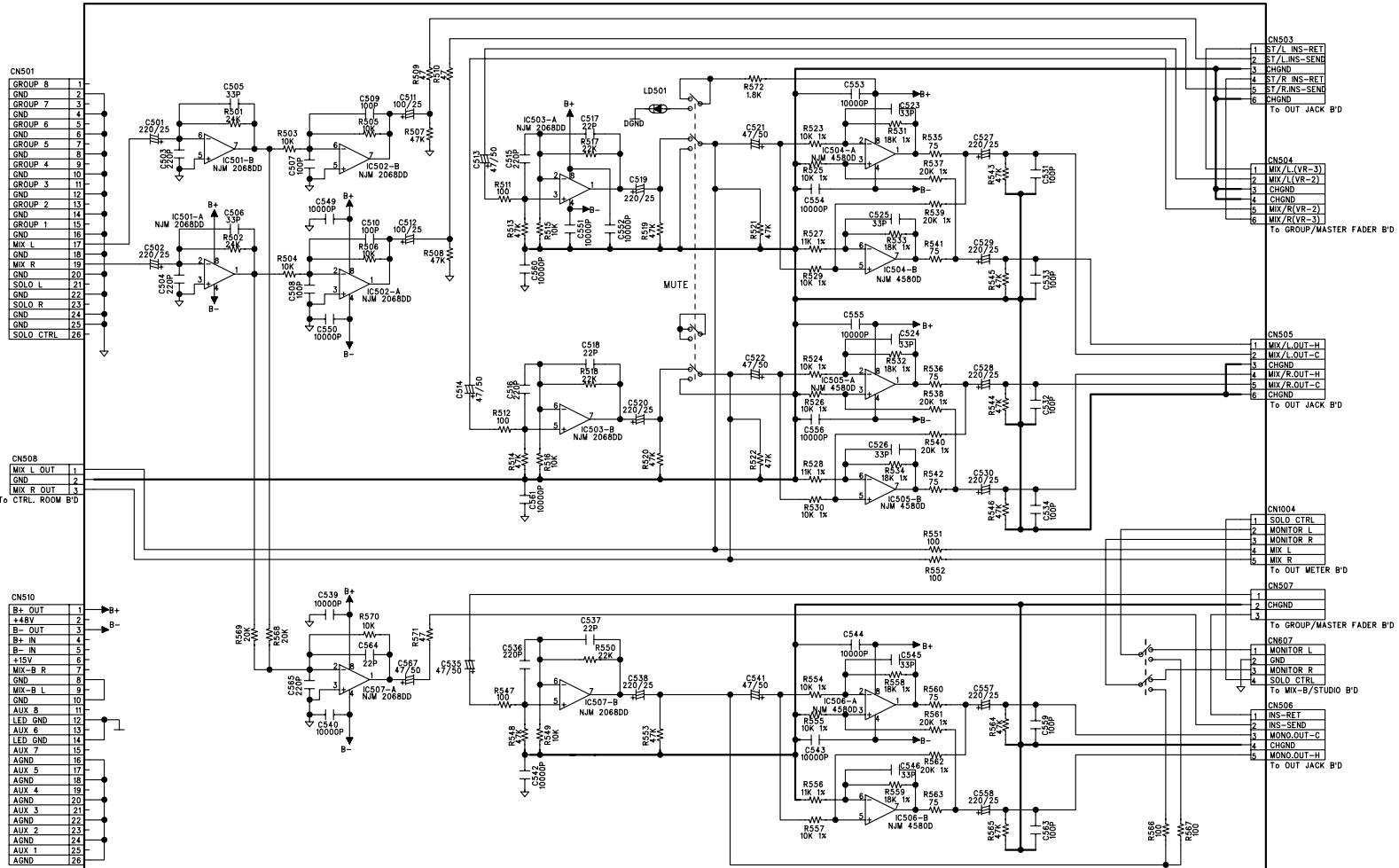
1		2		3		4		5		6	
COMPANY	INTER.M	APPLICANT	REVISED NUMBER AND DATE			SIGN	DRAWN	CHECKED	APPROVED	NOTE	SHEET NO.
TYPE CODE		M.P	1.	4.	7.						SCHEMATIC DIAGRAM
APPROVED DATE	01.09.05		2.	5.	8.						11/13
										MODEL : CMX-1668/2468/3268	

4003484410 OUT LED METER

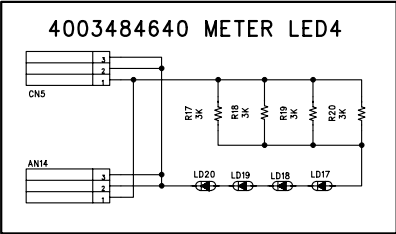
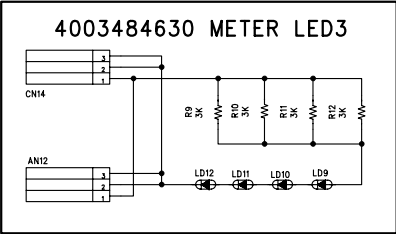
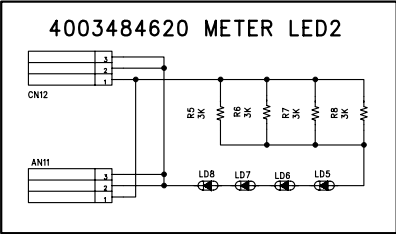
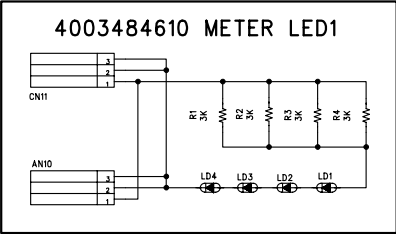
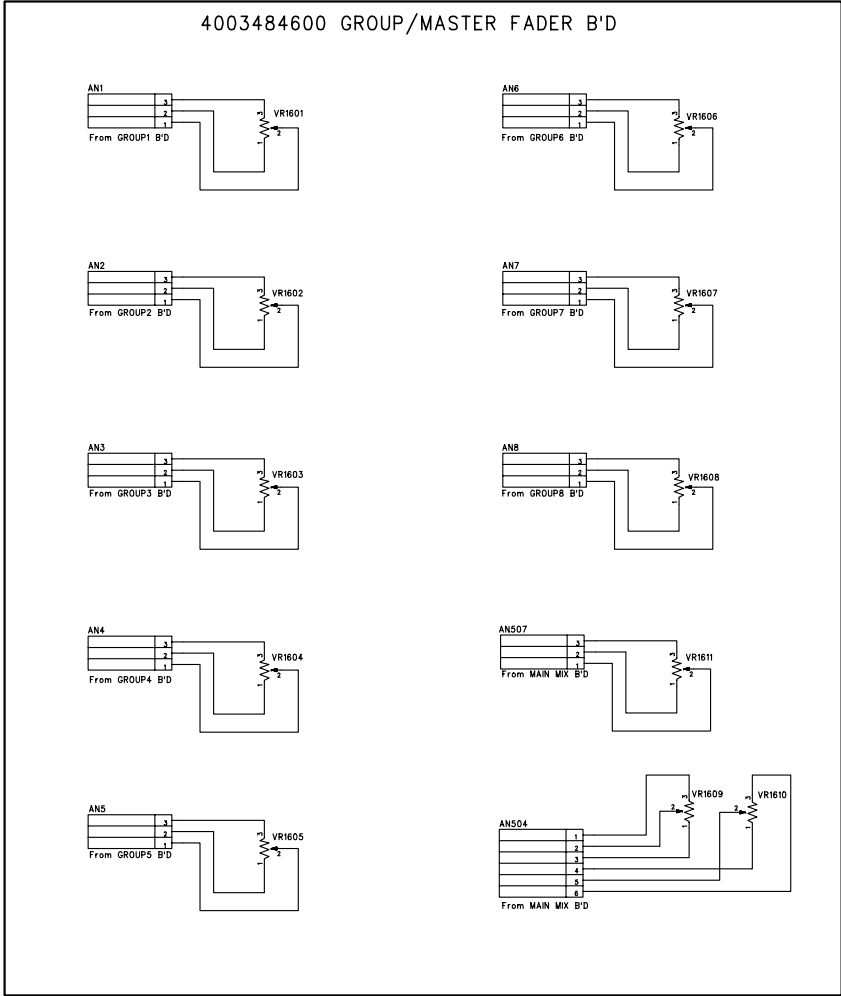


1		2		3		4		5		6		
COMPANY	INTER.M	APPLICANT	REVISED NUMBER AND DATE			SIGN	DRAWN	CHECKED	APPROVED	NOTE	SHEET NO.	SCHEMATIC DIAGRAM
TYPE CODE		M.P	1.	4.	7.						4/13	MODEL : CMX-1668/2468/3268
APPROVED DATE	01.09.05		2.	5.	8.							
			3.	6.	9.							

4003484200 MAIN MIX B'D



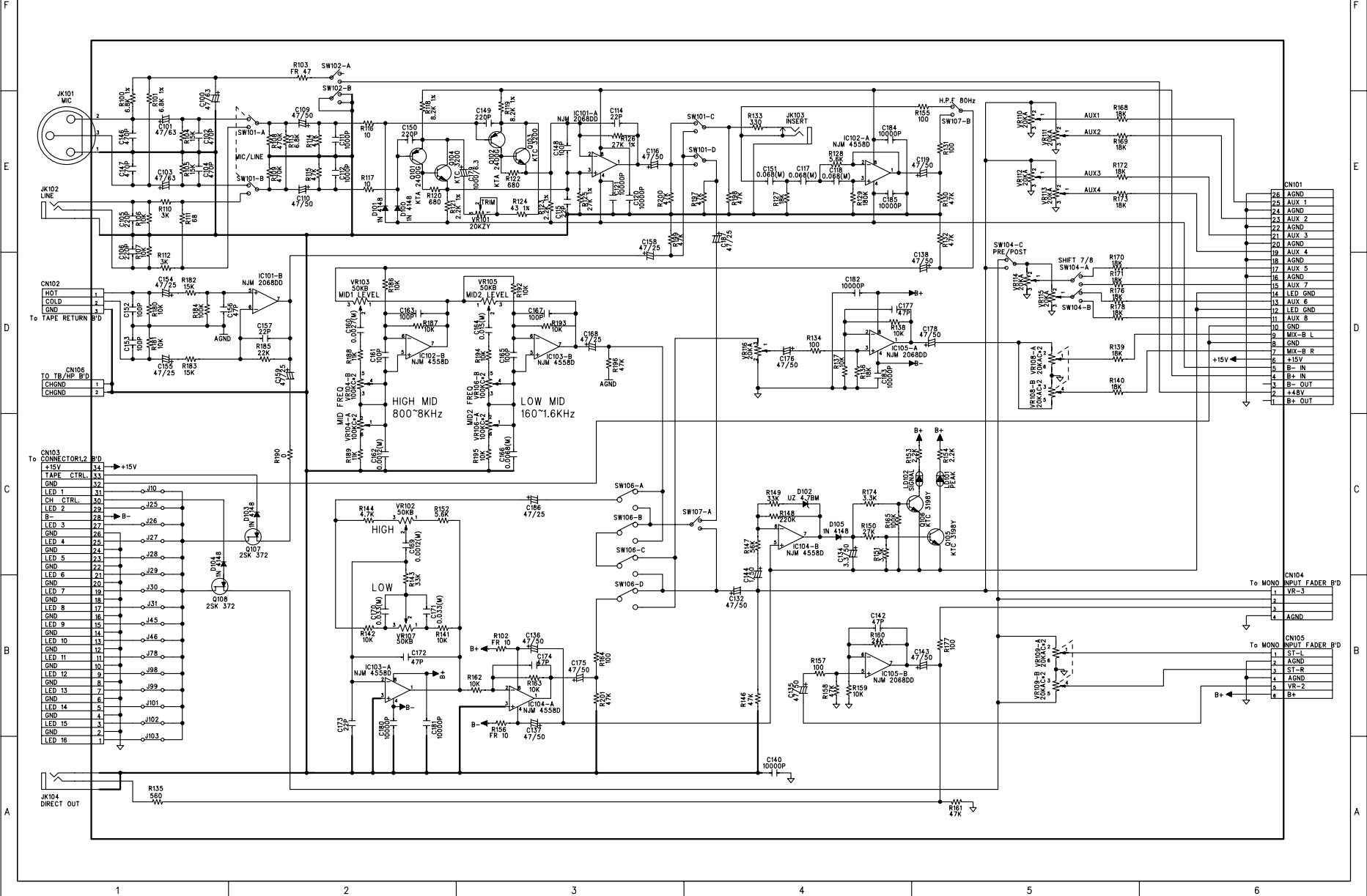
1		2		3		4		5		6		
COMPANY	INTER.M	APPLICANT	REVISED NUMBER AND DATE			SIGN	DRAWN	CHECKED	APPROVED	NOTE	SHEET NO.	SCHEMATIC DIAGRAM MODEL : CMX-1668/2468/3268
TYPE CODE		M.P	1.	4.	7.						9/13	
APPROVED DATE	01.09.05		2.	5.	8.							
			3.	6.	9.							
F												F
E												E
D												D
C												C
B												B
A												A
	1	2	3	4	5	6						



1	2		3			4		5		6		
COMPANY	INTER.M	APPLICANT	REVISED NUMBER AND DATE			SIGNATURE	DRAWN	CHECKED	APPROVED	NOTE	SHEET NO.	SCHEMATIC DIAGRAM
TYPE CODE	01.09.05	M.P	1.	4.	7.						1/13	MODEL : CMX-1668/2468/3268
APPROVED DATE			2.	5.	8.							
			3.	6.	9.							

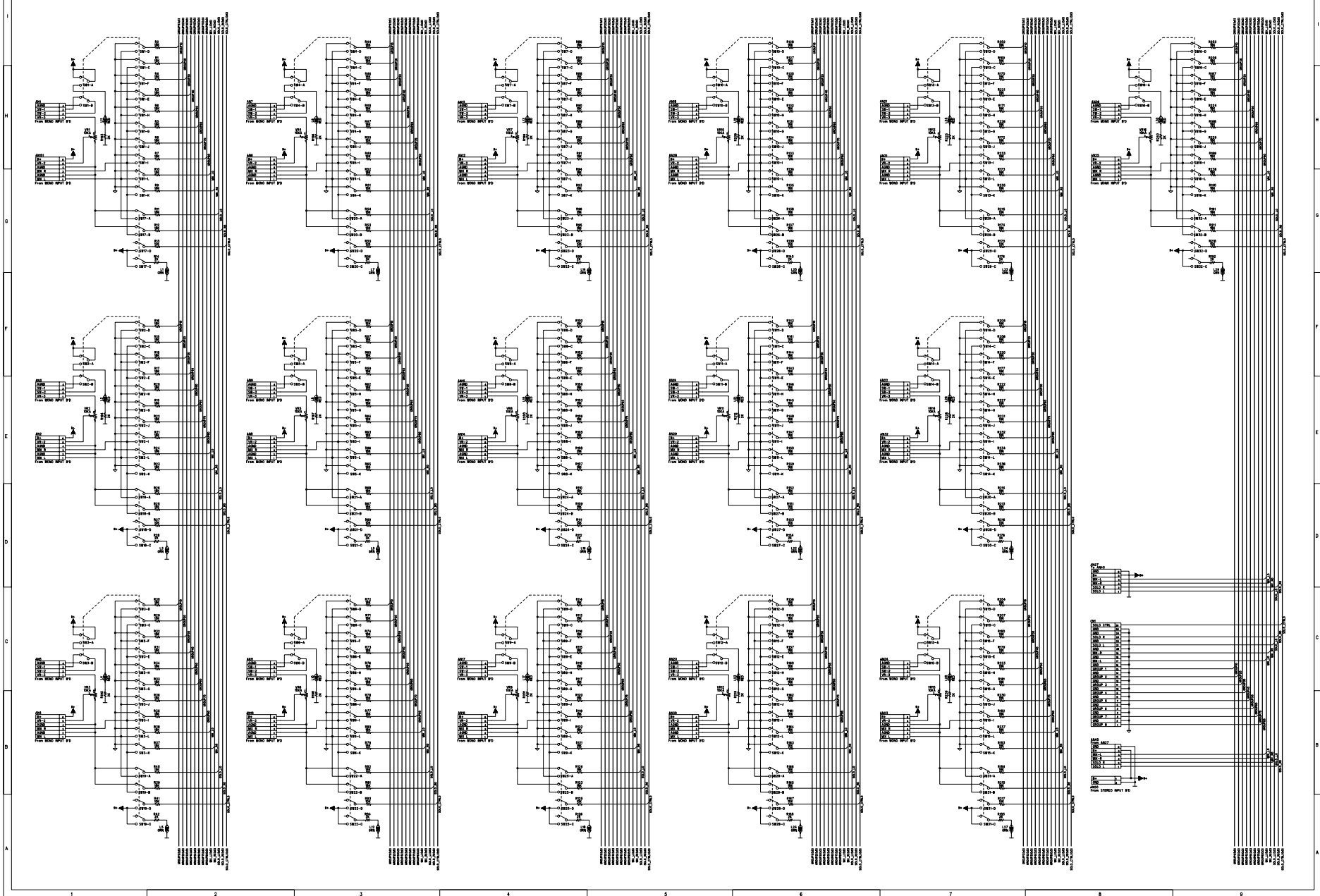
4003485000 MONO INPUT B'D

SHEET NO. 1/13
SCHEMATIC DIAGRAM
MODEL : CMX-1668/2468/3268



1	2		3			4		5		6	
---	---	--	---	--	--	---	--	---	--	---	--

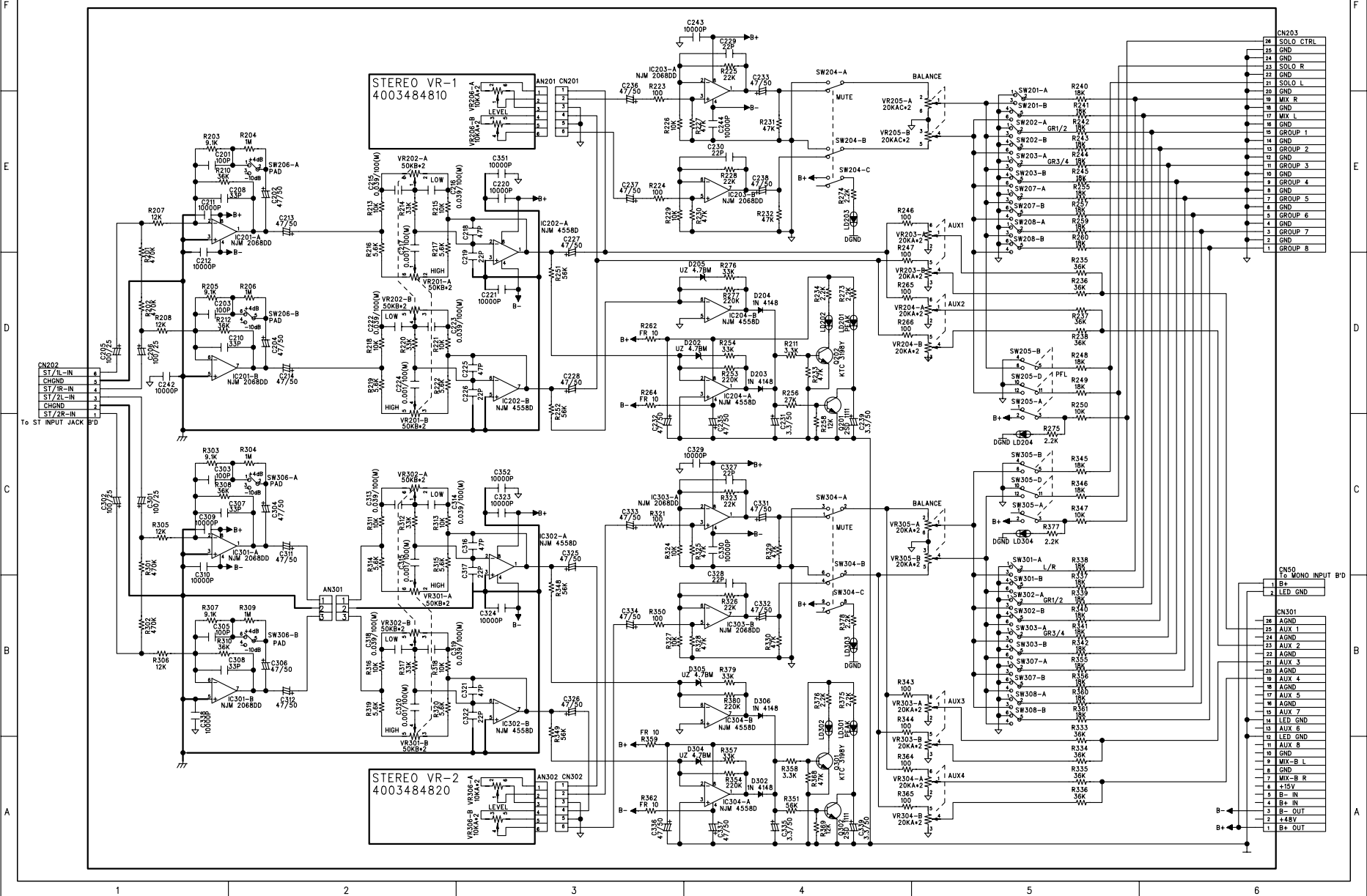
COMPANY		INTER.M		APPLICANT		M.P.		REVISED NUMBER AND DATE		DRAWN		CHECKED		APPROVED		NOTE		MONO FADER B'D		SIZE		SHEET NO.		WIRING DIAGRAM	
TYPE CODE		01.09.05						1		2		3		4		5		4003484900		A1		8/13		MODEL : CMX-1668/2468/3268	



COMPANY	INTER.M	APPLICANT	REVISED NUMBER AND DATE			S I G N	DRAWN	CHECKED	APPROVED	NOTE
TYPE CODE		M.P	1.	4.	7.					
APPROVED DATE	01.09.05		2.	5.	8.					

4003484800 STEREO INPUT BD

SHEET NO.	SCHEMATIC DIAGRAM
2/13	MODEL : CMX-1668/2468/3268



CN203	24	SOLO CTRL
	25	GND
	26	GND
	27	SOLO R
	28	GND
	29	SOLO L
	30	GND
	31	MIX R
	32	GND
	33	MIX L
	34	GND
	35	GROUP 1
	36	GND
	37	GROUP 2
	38	GND
	39	GROUP 3
	40	GND
	41	GROUP 4
	42	GND
	43	GROUP 5
	44	GND
	45	GROUP 6
	46	GND
	47	GROUP 7
	48	GND
	49	GROUP 8
	50	GND
	51	GROUP 8
	52	GND
	53	GROUP 7
	54	GND
	55	GROUP 6
	56	GND
	57	GROUP 5
	58	GND
	59	GROUP 4
	60	GND
	61	GROUP 3
	62	GND
	63	GROUP 2
	64	GND
	65	GROUP 1
	66	GND
	67	MIX L
	68	GND
	69	MIX R
	70	GND
	71	SOLO L
	72	GND
	73	SOLO R
	74	GND
	75	SOLO CTRL
	76	GND
	77	GND
	78	GND
	79	GND
	80	GND
	81	GND
	82	GND
	83	GND
	84	GND
	85	GND
	86	GND
	87	GND
	88	GND
	89	GND
	90	GND
	91	GND
	92	GND
	93	GND
	94	GND
	95	GND
	96	GND
	97	GND
	98	GND
	99	GND
	100	GND
	101	GND
	102	GND
	103	GND
	104	GND
	105	GND
	106	GND
	107	GND
	108	GND
	109	GND
	110	GND
	111	GND
	112	GND
	113	GND
	114	GND
	115	GND
	116	GND
	117	GND
	118	GND
	119	GND
	120	GND
	121	GND
	122	GND
	123	GND
	124	GND
	125	GND
	126	GND
	127	GND
	128	GND
	129	GND
	130	GND
	131	GND
	132	GND
	133	GND
	134	GND
	135	GND
	136	GND
	137	GND
	138	GND
	139	GND
	140	GND
	141	GND
	142	GND
	143	GND
	144	GND
	145	GND
	146	GND
	147	GND
	148	GND
	149	GND
	150	GND
	151	GND
	152	GND
	153	GND
	154	GND
	155	GND
	156	GND
	157	GND
	158	GND
	159	GND
	160	GND
	161	GND
	162	GND
	163	GND
	164	GND
	165	GND
	166	GND
	167	GND
	168	GND
	169	GND
	170	GND
	171	GND
	172	GND
	173	GND
	174	GND
	175	GND
	176	GND
	177	GND
	178	GND
	179	GND
	180	GND
	181	GND
	182	GND
	183	GND
	184	GND
	185	GND
	186	GND
	187	GND
	188	GND
	189	GND
	190	GND
	191	GND
	192	GND
	193	GND
	194	GND
	195	GND
	196	GND
	197	GND
	198	GND
	199	GND
	200	GND

1		2		3		4		5		6	
COMPANY	INTER.M	APPLICANT	REVISED NUMBER AND DATE			SIGN	DRAWN	CHECKED	APPROVED	NOTE	SHEET NO.
TYPE CODE		M.P	1.	4.	7.						SCHEMATIC DIAGRAM
APPROVED DATE	01.09.05		2.	5.	8.						6/13
			3.	6.	9.						MODEL : CMX-1668/2468/3268

STUDIO & MIX-B OUTPUT BD
4003484210

