

SERVICE

MANUAL

S T E R E O G R A P H I C

EQUALIZER

EQ-9152

interM

ELECTRICAL PARTS LIST (EQ - 9152)

Ref No.	Part No.	Description	Value	Qty	Remark
MAIN B'D (4003498920)					
C113L/R C715L/R C724L/R	3639104111-T	CAP ECQ-V 1H104JL2 0.1UF 50V	0.1	6	
C114L/R-115L/R C118L/R C702L/R	3609103120-T	CAP MA 0.01UF 100V	0.01(M)	8	
C101L/R C116L/R-117L/R	3409247071-T	CAP AF RSG 47UF 50V 6 P	47/50	6	
C111-112	3409210141-T	CAP AF RSG 100UF 25V 6 P	100/25	2	
C103L/R C107L/R-110L/R	3409222071-T	CAP AF RSG 22UF 50V 5 P	22/50	10	
C102L/R C104L/R-106L/R	3409210071-T	CAP AF RSG 10UF 50V 5 P	10/50	8	
C710L/R	3609222120-T	CAP MA 0.0022UF 100V J	0.0022	2	
C729L/R	3409222979-T	ECAP SG 50V 2.2UF K	2.2	2	
C716L/R	3609223120-T	CAP MA 0.022UF 100V J	0.022	2	
C705L/R C718L/R	3609333120-T	CAP MA 0.033UF 100V J	0.033	4	
C706L/R C713L/R	3609472120-T	CAP MA 0.0047UF 100V J	0.0047	4	
C720L/R	3609473120-T	CAP MA 0.047UF 100V	0.047	2	
C704L/R	3609562120-T	CAP MA 0.0056UF 100V	0.0056	2	
C711L/R	3609822120-T	CAP MA 0.0082UF 100V	0.0082	2	
C712L/R C714L/R	3609102120-T	CAP MA 0.001UF 100V	0.001	4	
C709L/R	3609123120-T	CAP MA 0.012UF 100V J	0.012	2	
C719L/R C728L/R	3639334111-T	CAP ECQ-V 1H334JL2 0.33UF 50V	0.33	4	
C727L/R	3409215979-T	CAP.E.SG 1.5UF 50V,K	1.5/50	2	
C707L/R	3609273120-T	CAP MA 0.027UF 100V J	0.027	2	
C701L/R C722L/R	3609683120-T	CAP MA 0.068UF 100V J	0.068	4	
C703L/R	3609393120-T	CAP MA 0.039UF 100V J	0.039	2	
C726L/R	3639154111-T	CAP ECQ-V 1H154JL2 0.15UF 50V	0.15/50	2	
C717L/R	3639184111-T	CAP ECQ-V 1H184JL2 0.18UF 50V	0.18/50	2	
C721L/R	3639474111-T	CAP ECQ-V 1H474JL2 0.47UF 50V	0.47/50	2	
C723L/R C730L/R	3639684111-T	CAP ECQ-V 1H684JL2 0.68UF 50V	0.68/50	4	
C708L/R	3609272120-T	CAP MA 0.0027UF 100V J	0.0027	2	
C725L/R	3639105111-T	CAP ECQ-V 1H105JL2 1UF 50V	1/50	2	
CN07L/R	4428595002	LW5267/LWB0640/2.5MM-02P	LW 2P	2	
CN02L/R	4428594503	WAFER (53014-0310)/2MM/MH51004	LW 3P	2	
CN02L/R CN08	4428594502	WAFER (53014-0210)/2MM/MH51004	LW 2P	3	
CN03L/R	4428598304	WAFER LW-0640-4P	LW 4P	2	
CN04L/R	4428594506	WAFER (53014-0610)/2MM/MH51004	LW 6P	2	
CN05L/R-06L/R	4428594508	WAFER (53014-0810)/2MM/MH51004	LW 8P	4	
CN L/R <-> AN01 L/R	4355955320	CON ASS'Y 2P 130MM	2P	2	
CR01L/R CR15L/R	3639104111-T	CAP ECQ-V 1H104JL2 0.1UF 50V	0.1	4	
CR8L/R-10L/R	3509151231-A	CAP CE B 150PF 50V K AXIAL	150P	3	
CR02L/R-05L/R CR11L/R-14L/R CR16L/R-19L/R	3539104531-A	CAP CE Y 100000PF 50V Z AXIAL	0.1	24	
CR06L/R-07L/R	3609103120-T	CAP MA 0.01UF 100V	0.01	4	
D103L/R-104L/R	2058304100	DIODE 1N4148M	1N4148	4	
D105L/R	2058100996	DIODE RECTIFIER LT1N4006(4007)	1N4006	2	
D101L/R-102L/R	2058502082	DIODE ZENER UZ-8.2BM(1N5237B)	8.2BM	4	
GND01R	4235007210	GND TERMINAL (POWER B'D)	GND	1	
IC701L/R-707L/R	2118010590	IC NJM4558D JRC	4558D	14	
IC01L/R-03L/R IC05L/R	2118010590	IC NJM4558D JRC	4558D	8	
IC06L/R-07L/R	2118010332	IC NJM 5532DD JRC	5532DD	4	
IC08L/R	2128514003	IC NJU4066BD JRC	4066B	2	
IC04L/R	2118012332	IC NJM 4560DD	4560DD	2	

JK101L/R JK103L/R	4438097310	JACK PHONE 4P	PHONE JACK	4	
JK102L/R	4438193710	XLR JACK(F) 3P(E303A0070N)	XLF-3SP-5	2	
JK104L/R	4408194610	XLR JACK (M) (E403A0090N)	XLM-3PH	2	
Q101L/R-102L/R	2008606104-T	TR NPN KTC3198-Y-AT TO-92	KTC1815(3198)	2	
R118L/R R126L/R R146L/R	3009102973	RES CF 1K 1/5W J N	1K	6	
R101L/R-102L/R	3009113973	RES CF 11K 1/5W J N	11K	4	
R103L/R-104L/R	3009123973	RES CF 12K 1/5W J N	12K	4	
R105L/R-106L/R R147L/R	3009202973	RES CF 2K 1/5W J N	2K	6	
R107L/R R109L/R R115L/R R120L/R-121L/R R136L/R R138L/R-139L/R R141L/R	3009223973	RES CF 22K 1/5W J N	22K	18	
R119L/R	3003866953	RES CF 8.66K 1/5W FN	8.66K	2	
R135L/R	3003412953	RES CF 4.12K 1/5W FN	4.12K	2	
R111L/R	3009561973	RES CF 560 1/5W J N	560	2	
R112L/R	3009473973	RES CF 47K 1/5W J N	47K	2	
R122L/R-123L/R	3009332973	RES CF 3.3K 1/5W J N	3.3K	4	
R124L/R-125L/R	3009682973	RES CF 6.8K 1/5W J N	6.8K	2	
R127L/R-128L/R R133L/R R142L/R	3009104973	RES CF 100K 1/5W J N	100K	8	
R131L/R-132L/R	3009222973	RES CF 2.2K 1/5W J N	2.2K	4	
R110L/R R114L/R R129L/R-130L/R	3009103973	RES CF 10K 1/5W J N	10K	8	
R137L/R R140L/R	3009680973	RES CF 68 1/5W J N	68	4	
R134L/R	3009271973	RES CF 270 1/5W J N	270	2	
R116L/R	3009274973	RES CF 270K 1/5W J N	270K	2	
R113L/R R149L/R	3009203973	RES CF 20K 1/5W J N	20K	4	
R144L/R	3009683973	RES CF 68K 1/5W J N	68K	2	
R145L/R	3009182973	RES CF 1.8K 1/5W J N	1.8K	2	
R117L/R	3009684973	RES CF 680K 1/5W J N	680K	2	
R108L/R	3009752973	RES CF 7.5K 1/5W J N	7.5K	2	
R148L/R	3009562973	RES CF 5.6K 1/5W J N	5.6K	2	
R143L/R	3009105973	RES CF 1M 1/5W J N	1M	2	
R150L/R	3009563973	RES CF 56K 1/5W J N	56K	2	
R151L/R-152L/R	3009100973	RES CF 10 1/5W J N	10	4	
R714L/R R722L/R	3001102953	RES CF 102K 1/5W F N	102K	4	
R706L/R R718L/R R720L/R	3001105953	RES CF 105K 1/5W F N	105K	6	
R728L/R	3001115953	RES CF 115K 1/5W FN	115K	2	
R710L/R R712L/R	3001118953	RES CF 118K 1/5W F N	118K	4	
R716L/R R730L/R	3001120953	RES CF 120K 1/5W FN	120K	4	
R724L/R	3001127953	RES CF 127K 1/5W FN	127K	2	
R702L/R R726L/R	3001143953	RES CF 143K 1/5W FN	143K	4	
R704L/R	3001178953	RES CF 178K 1/5W FN	178K	2	
R708L/R	3002820953	RES CF 82K 1/5W FN	82K	2	
R713L/R	3004196953	RES CF 196 1/5W FN	196	2	
R709L/R	3004205953	RES CF 205 1/5W FN	205	2	
R729L/R	3004226953	RES CF 226 1/5W FN	226	2	
R715L/R	3004243953	RES CF 243 1/5W FN	243	2	
R705L/R	3004249953	RES CF 249 1/5W FN	249	2	
R719L/R	3004250953	RES CF 250 1/5W FN	250	2	
R701L/R R703L/R R717L/R	3004255953	RES CF 255 1/5W FN	255	6	
R707L/R R711L/R	3004261953	RES CF 261 1/5W FN	261	4	
R727L/R	3004274953	RES CF 274 1/5W FN	274	2	
R721L/R R723L/R R725L/R	3004294953	RES CF 294 1/5W FN	294	6	
RLY101L/R	5528999700	RELAY 876AN2-2C-S 24VDC	RY 24W DC24V	1	

POWER B'D (4003507210)

C210	3509221231-A	CAP CE B 220PF 50V K AXIAL	220P	1	
C212	3509103530-T	CAP CE F 0.01UF 50V Z	0.01/50	1	
C201-204	3408247161	CAP RSA 470UF 35V SNAP 13 P	470/35	4	
C205-208	3409222141-T	CAP AF RSG 220UF 25V J 8 P	220/25	4	
C209 C211	3409247071-T	CAP AF RSG 47UF 50V 6 P	47/50	2	
CON203	4355949606	CON ASS'Y 2P 130MM	2P(130mm)	1	
CON203	4355949611	CON ASS'Y 2P PP-821A	2P(220mm)	1	
CON205	4428596603	LOCK WAFER LW-1143-03P	LW-1143-03P	1	
CON202	4455483303	LOCK WAFER LW-1143-03P	4P(100mm)	1	
CON201	4455483314	CON ASS'Y 4P	4P	1	
D201	2058100996	DIODE RECTIFIER LT1N4006(4007)	1N4006	1	
D202-203	2058100996	DIODE RECTIFIER LT1N4006(4007)	1N4006	2	
D206-207	2058304100	DIODE IN4148M	1N4148	2	
D204-205	2058502180	DIODE ZENER UZ-18BM(1N5248B)	18BM	2	
D208	2058500033	DIODE ZENER UZ-3.3B(1N5226B)	3.3BM	1	
GND	4235007210	GND TERMINAL (POWER B'D)	GND	1	
Q201	2028406113 7505299340	KTD2058-Y-U HEAT SINK EQ-131	KTD2058	1	
Q203-204	2008606104	DEL TR NPN KTC1815Y (KTC3198)	KTC1815 (3198)	2	
Q202	2028117992 7505299340	KTB1366-Y-U HEAT SINK EQ-131	KTB1366	1	
R205-206	3009122973	RES CF 1.2K 1/5W J N	1.2K	2	
R207	3009682973	RES CF 6.8K 1/5W J N	6.8K	1	
R208	3009472973	RES CF 4.7K 1/5W J N	4.7K	1	
R209	3009561973	RES CF 560 1/5W J N	560	1	
R210	3009104973	RES CF 100K 1/5W J N	100K	1	
R211-212	3009100973	RES CF 10 1/5W J N	10	2	
R201	3039100575-T	RES MO 10 2W JR	10 2W	1	
R202	3039220575-T	RES MO 22 2W J RADIAL	22 2W	1	
R203-204	3039271575-T	RES MO 270 2W J RADIAL	270 2W	2	
SK1-3	3549472407	CAP DE2E3KH472MA4B	0.0047/400V	3	
SW201	4618006610	SW SELECTOR(SDJL2SBKP011)SPO91	SW	1	
SW7-9	4628985810	SW PUSH POWER JPJ010-301LT-41	POWER SWITCH	3	

FADER B'D (4003498910)

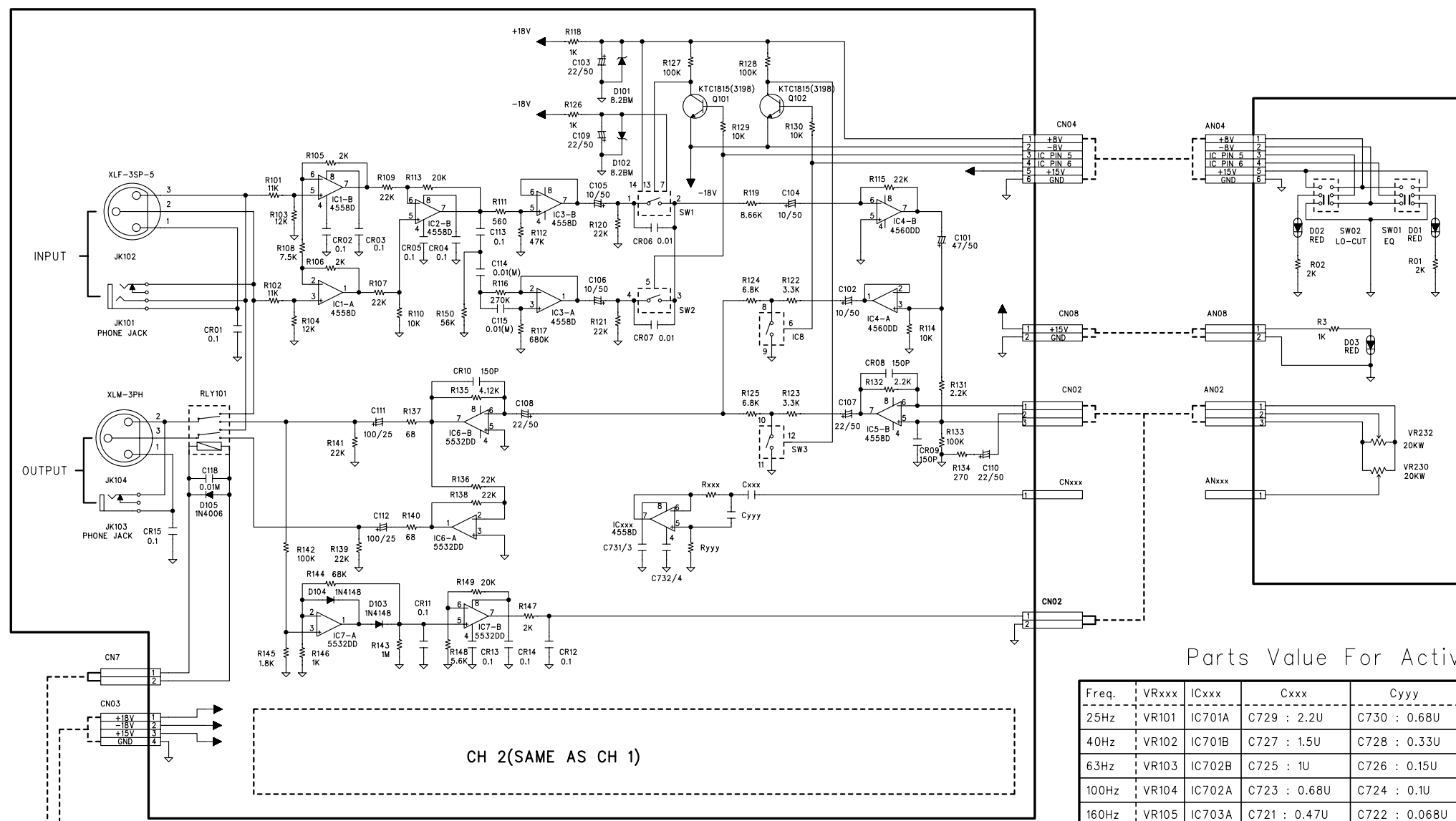
AN8	4428595702	53015-0210/2MM/MH51004	LA-02P	1	
AN2L/R	4428594505	WAFER (53014-0510)/2MM/MH51004	LW 5P	2	
AN4L/R	4428594506	WAFER (53014-0610)/2MM/MH51004	LW 6P	2	
AN5R	4428594508	WAFER (53014-0810)/2MM/MH51004	LW 8P	1	
AN05L-06L AN05AL-06AL AN6L, AN6AL	4428594504	WAFER (53014-0410)/2MM/MH51004	LW 4P	6	
D01L/R-03L/R	2300030100	LED LTL-1CHE LITEON	RED	6	
D04	2300050100	LED LTL-307E LITEON	LED	1	
R01L/R-02L/R	3009202973	RES CF 2K 1/5W J N	2K	4	
R03	3009102973	RES CF 1K 1/5W J N	1K	1	
SW01L/R-02L/R	4628991710	SW PUSH SPEC122SC011(SUB98)	SW PUSH	4	
VR230 VR232	3238094710	VR RS20111C600223W (RSC39)	20KW	2	
VR201-229 VR231	3238094710	VR RS20111C600223W (RSC39)	20KW	30	

ASS'Y

AC CORD	4308997310 4308996710 4308999310 4308993510 4308999410	AC CORD DOME 3-CORES AC CORD (WITHOUT PLUG) AC CORD UL 3 (INLET) AC CORD KKP-210/KKS-16T (JIS) AC CORD V+VII6A-250VHOVV-F3G	C E J R	1	
AC INLET	4448996810	AC INLET 31.8MM		3	AC1-3

	4448997110	AC INLET NO.KE-10.2100.151	C , R		
PT	2828074610	TRANSFORMER (220V) EQ-9152		3	PT1-3
	2828074600	TRANSFORMER POWER (230V)EQ9152	C , R		
	2828074620	TRANS POWER (120V) EQ-9152	E		
	2828059300	TRANS POWER EQ-9152 100V	J		
CON	4355478715	CON ASS'Y 2P 330MM		1	
	4355472717	CON ASS'Y 8P(390M.M)		1	
	4355472913	CON ASS'Y 5P(270M.M)		1	
	4355473509	CON ASS'Y 8P(190M.M)		1	
	4355473809	CON ASS'Y 8P(190M.M)		1	
	4355473910	CON ASS'Y 8P 210MM		1	
	4355481717	CON ASS'Y 5P(390M.M)		1	
	4355862315	CON ASS'Y 6P(330M.M)		1	
	4355862413	CON ASS'Y 6P(270M.M)		1	
	4355934703	187T & TUBE CON` ASS`Y Y-GRE		1	
FUSE	5508220930	FUSE NB 31.8MM 150MA/250V KS		2	F1-2
	4448996911	FUSE DRAWER(31.8MM)		1	F3
	4448997120	FUSE DRAWER NO.4305.0001(20MM)	C , R		
	5508411039	FUSE#218T 20MM 160MA/250V UCSK	C , R		
	5508221333	FUSE NB 31.8MM 300MA/250V U/C	E , J		
	5508121237	FUSE 61S 31.8MM 250MA/250V U/C	J		
VOL.	4448996914	VOLTAGE SELECTOR 220V ONLY		1	
	4448997112	VOLTAGE 4305.0048.17(115/230)	C , R		
	4448996916	VOLTAGE SELECTOR 120/240V	E		
	4448996917	VOLTAGE SELECTOR 100V ONLY	J		
SW	4835002710	INSULATION POWER SWITCH	J		

EQ 9152 SCHEMATIC DIAGRAM



Parts Value For Active Inductor

Freq.	VRxxx	ICxxx	Cxxx	Cyyy	Rxxx	Ryyy	CNxxx	ANxxx
25Hz	VR101	IC701A	C729 : 2.2U	C730 : 0.68U	R729 : 226	R730 : 120K	CN06	AN06L/R
40Hz	VR102	IC701B	C727 : 1.5U	C728 : 0.33U	R727 : 274	R728 : 115K	CN06	AN06L/R
63Hz	VR103	IC702B	C725 : 1U	C726 : 0.15U	R725 : 294	R726 : 143K	CN06	AN06L/R
100Hz	VR104	IC702A	C723 : 0.68U	C724 : 0.1U	R723 : 294	R724 : 127K	CN06	AN06L/R
160Hz	VR105	IC703A	C721 : 0.47U	C722 : 0.068U	R721 : 294	R722 : 102K	CN06	AN06AL/AR
250Hz	VR106	IC703B	C719 : 0.33U	C720 : 0.047U	R719 : 250	R720 : 105K	CN06	AN06AL/AR
400Hz	VR107	IC704B	C717 : 0.18U	C716 : 0.033U	R717 : 255	R718 : 105K	CN06	AN06AL/AR
630Hz	VR108	IC704A	C715 : 0.1U	C716 : 0.022U	R715 : 243	R716 : 120K	CN06	AN06AL/AR
1KHz	VR109	IC705B	C701 : 0.068U	C702 : 0.01U	R701 : 255	R702 : 143K	CN05	AN05L/R
1.6KHz	VR110	IC705A	C703 : 0.039U	C704 : 0.0056U	R703 : 255	R704 : 178K	CN05	AN05L/R
2.5KHz	VR111	IC706A	C705 : 0.033U	C706 : 0.0047U	R705 : 249	R706 : 105K	CN05	AN05L/R
4KHz	VR112	IC706B	C707 : 0.027U	C708 : 0.0027U	R707 : 261	R708 : 82K	CN05	AN05L/R
6KHz	VR113	IC702A	C709 : 0.012U	C710 : 0.0022U	R709 : 205	R710 : 118K	CN05	AN05AL/R
10KHz	VR114	IC707B	C711 : 0.0082U	C712 : 0.001U	R711 : 261	R712 : 118K	CN05	AN05AL/R
16KHz	VR115	IC707A	C713 : 0.0047U	C714 : 0.001U	R713 : 196	R714 : 102K	CN05	AN05AL/R

