

SERVICE

MANUAL

G R A P H I C

EQUALIZER

EQ-9131/9231

interM

ELECTRICAL PARTS LIST (EQ - 9131 / 9231)

Ref No.	Part No.	Description	Value	Qty	Remark
MAIN B'D (4003493400)					
B1-2	6505961810	JACK B.K.T EQ-131.231.215	JA BKT	2	
C115 C129	3509151231-A	CAP CE B 150PF 50V K AXIAL	150P	2	
C109-111 C116 C125	3409210071-T	CAP AF RSG 10UF 50V 5 P	10/50	5	
C119-120	3409210141-T	CAP AF RSG 100UF 25V 6 P	100/25	2	
C108 C112 C114 C117	3409222071-T	CAP AF RSG 22UF 50V 5 P	22/50	4	
C113	3409247071-T	CAP AF RSG 47UF 50V 6 P	47/50	1	
C105-106 C121 C740	3609103120-T	CAP MA 0.01UF 100V	0.01(M)	4	
C104 C721 C732 C737	3639104111-T	CAP ECQ-V 1H104JL2 0.1UF 50V	0.1/50	4	
C752	3609222120-T	CAP MA 0.0022UF 100V J	0.0022	1	
C701 C703 C705	3409222979-T	ECAP SG 50V 2.2UF K	2.2/50	3	
C722 C724 C745 C747	3609223120-T	CAP MA 0.022UF 100V J	0.022	4	
C720 C733 C735	3609333120-T	CAP MA 0.033UF 100V J	0.033	3	
C748	3609392120-T	CAP MA 0.0039UF 100V J	0.0039	1	
C736 C757	3609472120-T	CAP MA 0.0047UF 100V J	0.0047	2	
C718 C726 C741	3609473120-T	CAP MA 0.047UF 100V	0.047	3	
C761 C734	3609562120-T	CAP MA 0.0056UF 100V	0.0056	2	
C742 C755	3609682120-T	CAP MA 0.0068UF 100V J	0.0068	2	
C744 C753	3609822120-T	CAP MA 0.0082UF 100V	0.0082	2	
C760 C758	3609102120-T	CAP MA 0.001UF 100V	0.001	2	
C751	3609123120-T	CAP MA 0.012UF 100V J	0.012	1	
C762 C756	3609152120-T	CAP MA 0.0015UF 100V J	0.0015	2	
C738 C749	3609153120-T	CAP MA 0.015UF 100V J	0.015	2	
C754	3609182120-T	CAP MA 0.0018UF 100V J	0.0018	1	
C707	3409215979-T	CAP.E.SG 1.5UF 50V, K	1.5/50	1	
C746 C759	3609332120-T	CAP MA 0.0033UF 100V	0.0033	2	
C714 C716 C728 C739 C743	3609683120-T	CAP MA 0.068UF 100V J	0.068	5	
C708 C727	3639334111-T	CAP ECQ-V 1H334JL2 0.33UF 50V	0.33/50	2	
C750	3609272120-T	CAP MA 0.0027UF 100V J	0.0027	1	
C711 C709	3639105111-T	CAP ECQ-V 1H105JL2 1UF 50V	1/50	2	
C712 C723 C730	3639154111-T	CAP ECQ-V 1H154JL2 0.15UF 50V	0.15/50	3	
C719	3639184111-T	CAP ECQ-V 1H184JL2 0.18UF 50V	0.18/50	1	
C710 C717	3639224111-T	CAP ECQ-V 1H224JL2 0.22UF 50VJ	0.22/50	2	
C725	3639274111-T	CAP ECQ-V 1H274JL2 0.27UF 50V	0.27/50	1	
C702 C704 C706 C713 C715	3639474111-T	CAP ECQ-V 1H474JL2 0.47UF 50V	0.47/50	5	
C731	3639684111-T	CAP ECQ-V 1H684JL2 0.68UF 50V	0.68/50	1	
C729	3639824111-T	CAP ECQ-V 1H824JL2 0.82UF 50V	0.82/50	1	
C130-131	3509471231-A	CAP CE B 470PF 50V K AXIAL	470P	2	
C133 C136 C137-138 C134-135	3539102231-A	CAP CE YP 1000PF 50V K AXIAL	1000P	6	
C118 C132 C133	3509101231-A	CAP CE B 100PF 50V K AXIAL	100P	3	
C768-770	3529220311-A	CAP CE SL 22PF 50V J AXIAL	22P	3	
C102-103 C123 C122 C126	3539104531-A	CAP CE Y 100000PF 50V Z AXIAL	0.1/50	5	
C101 C107 C124 C127-128 C763-764 C766-767	3539103531-A	CAP CE 0.01uH 50V	0.01/50	10	
CL102-103	2648699890	COIL INDUCTOR 100UH	100uH	2	
CON101-108	4428594508	WAFER (53014-0810)/2MM/MH51004	8P	4	

CON001-002	4355955320	CON ASS'Y 2P 130MM	ASS'Y 2P	2	
CON110 CON205	4428595002	LW5267/LWB0640/2.5MM-02P	WAFER/2P	2	
CON109-B	4428594502	WAFER (53014-0210)/2MM/MH51004	WAFER/2P	1	
CON109-A	4428594503	WAFER (53014-0310)/2MM/MH51004	WAFER/3P	1	
CON201	4428598304	WAFER LW-0640-4P	LW-0640-4P	1	
CON301	4428598306	CONNECTOR WAFER LW-0640-6P	LW-0640-6P	1	
D103	2058100996	DIODE RECTIFIER LT1N4006(4007)	1N 4006	1	
D101-102	2058304100	DIODE IN4148M	1N 4148	2	
ZD104-105	2058502082	DIODE ZENER UZ-8.2BM(1N5237B)	UZ 8.2BM	2	
FB101-103	2648609970	EMI BEAD FILTER BFS2550 AOF	BEAD COIL	3	
GND	4235007210	GND TERMINAL (POWER B'D)	GND	1	
IC104	2128514003	IC NJU4066BD JRC	4066B	1	
IC105	2118010332	IC NJM 5532DD JRC	5532D	3	
IC107 IC109					
IC103 IC108	2118010590	IC NJM4558D JRC	NJM4558D	2	
IC101-102	2118010432	IC NJM2068DD JRC	2068D	2	
IC401-415	2168220984	IC NJM 2043D JRC	2043D	15	
JK102 JK104	4438097310	JACK PHONE 4P	PHONEJACK	2	
JK101	4438193710	XLR JACK(F) 3P(E303A0070N)	XLR(FEMALE)	2	
JK103	4408194610	XLR JACK (M) (E403A0090N)	XLR (MALE)	2	
Q101-102	2008606104-T	TR NPN KTC3198-Y-AT TO-92	KTC 3198	2	
R145	3009182973	RES CF 1.8K 1/5W J N	1.8K	1	
R157	3009100973	RES CF 10 1/5W J N	10	1	
R121 R124 R129 R144	3009104973	RES CF 100K 1/5W J N	100K	4	
R122 R125 R127 R138	3009103973	RES CF 10K 1/5W J N	10K	4	
R101 R105	3009113973	RES CF 11K 1/5W J N	11K	2	
R102 R106	3009123973	RES CF 12K 1/5W J N	12K	2	
R116 R123 R146	3009102973	RES CF 1K 1/5W J N	1K	3	
R148	3009105973	RES CF 1M 1/5W J N	1M	1	
R109-110	3009203973	RES CF 20K 1/5W J N	20K	2	
R104 R108 R117-120 R126 R133 R140-141 R143 R152-153	3009223973	RES CF 22K 1/5W J N	22K	13	
R114	3009274973	RES CF 270K 1/5W J N	270K	1	
R147	3009273973	RES CF 27K 1/5W J N	27K	1	
R103 R107 R132	3009202973	RES CF 2K 1/5W J N	2K	3	
R134 R136	3009332973	RES CF 3.3K 1/5W J N	3.3K	2	
R131	3009331973	RES CF 330 1/5W J N	330	1	
R149	3009333973	RES CF 33K 1/5W J N	33K	1	
R112	3009473973	RES CF 47K 1/5W J N	47K	1	
R128 R130 R150	3009562973	RES CF 5.6K 1/5W J N	5.6K	3	
R111	3009561973	RES CF 560 1/5W J N	560	1	
R113	3009563973	RES CF 56K 1/5W J N	56K	1	
R135 R137	3009682973	RES CF 6.8K 1/5W J N	6.8K	2	
R115	3009684973	RES CF 680K 1/5W J N	680K	1	
R139 R142	3009680973	RES CF 68 1/5W J N	68	2	
R151	3009821973	RES CF 820 1/5W J N	820	1	
R718 R738 R750	3001102953	RES CF 102K 1/5W F N	102K	3	
R716 R720 R728 R736	3001105953	RES CF 105K 1/5W F N	105K	4	
R724 R730 R744 R752	3001110953	RES CF 110K 1/5W F N	110K	4	
R708 R756	3001115953	RES CF 115K 1/5W FN	115K	2	
R722 R726 R742	3001120953	RES CF 120K 1/5W FN	120K	3	
R704	3001124953	RES CF 124K 1/5W FN	124K	1	
R732 R748	3001127953	RES CF 127K 1/5W FN	127K	2	
R754	3001130953	RES CF 130K 1/5W FN	130K	1	
R712 R734 R740	3001143953	RES CF 143K 1/5W FN	143K	3	
R710	3001158953	RES CF 158K 1/5W FN	158K	1	
R714	3001178953	RES CF 178K 1/5W FN	178K	1	
R702	3001196953	RES CF 196K 1/5W FN	196K	1	
R758	3002715953	RES CF 71.5K 1/5W FN	71.5K	1	

R706	3002787953	RES CF 78.7K 1/5W FN	78.7K	1	
R746 R762	3002820953	RES CF 82K 1/5W FN	82K	2	
R760	3002887953	RES CF 88.7K 1/5W FN	88.7K	1	
R753	3004205953	RES CF 205 1/5W FN	205	1	
R759	3004210953	RES CF 210 1/5W FN	210	1	
R755	3004215953	RES CF 215 1/5W FN	215	1	
R751	3004220953	RES CF 220 1/5W FN	220	1	
R747 R757	3004232953	RES CF 232 1/5W FN	232	2	
R761	3004237953	RES CF 237 1/5W FN	237	1	
R717 R733	3004242953	RES CF 242 1/5W FN	242	2	
R721 R749	3004243953	RES CF 243 1/5W FN	243	2	
R735	3004249953	RES CF 249 1/5W FN	249	1	
R719 R737 R739 R741 R745	3004255953	RES CF 255 1/5W FN	255	5	
R743	3004261953	RES CF 261 1/5W FN	261	1	
R725 R727	3004267953	RES CF 267 1/5W F N	267	2	
R707 R723	3004280953	RES CF 280 1/5W FN	280	2	
R729 R709 R713	3004287953	RES CF 287 1/5W FN	287	3	
R731 R711 R715	3004294953	RES CF 294 1/5W FN	294	3	
R705	3004301953	RES CF 301 1/5W FN	301	1	
R701	3004309953	RES CF 309 1/5W FN	309	1	
R703	3004316953	RES CF 316 1/5W FN	316	1	
R155-156	3009750973	RES CF 75 1/5W JN	75	2	
RLY101	5528999700	RELAY 876AN2-2C-S 24VDC	24VDC	1	
SP101-104	5410000300	SURGE PROTECTOR DSP-301N	DSP-301N	4	
C1			Cxxx	1	
C2			Cyyy	1	
C3			Cwww	1	
C4			Cvvv	1	
CON7			CONyyy	1	
IC2			ICxxx	1	
RX1			Rxxx	1	
RY1			Ryyy	1	

POWER B'D (4003507210)

C210	3509221231-A	CAP CE B 220PF 50V K AXIAL	220P	1	
C209	3409222071-T	CAP AF RSG 22UF 50V 5 P	22/50	1	
C205-208	3409222141-T	CAP AF RSG 220UF 25V J 8 P	220/25	4	
C211	3409247071-T	CAP AF RSG 47UF 50V 6 P	47/50	1	
C203-204	3408247161	CAP RSA 470UF 35V SNAP 13 P	470/35	2	
C201-202	3408210261	CAP RSG 1000UF 35V SNAP 16 P	1000/35	2	
C212	3509103530-T	CAP CE F 0.01UF 50V Z	0.01/50	1	
C213	3609124122-T	CAP MA 0.12UF 100V MINI	0.12/100(M)	1	
CON203 (EQ-9231)	4355949606	CON ASS'Y 2P 130MM	ASS'Y 2P	1	
CON203	4355949611	CON ASS'Y 2P PP-821A	ASS'Y 2P		
CON204 (EQ-9231)	4355949606	CON ASS'Y 2P 130MM	ASS'Y 2P	1	
CON202 (EQ-9231)	4455483303	CON ASS'Y 4P 100MM	ASS'Y 4P	1	
CON201	4455483314	CON ASS'Y 4P	ASS'Y 4P	1	
CON205	4428596603	LOCK WAFER LW-1143-03P	LW-1143-03P	1	
D201-1-4	2058100996	DIODE RECTIFIER LT1N4006(4007)	1N 4006	4	
D202-203	2058100996	DIODE RECTIFIER LT1N4006(4007)	1N 4006	2	
D206-207	2058304100	DIODE IN4148M	1N 4148	2	
D204-205	2058502180	DIODE ZENER UZ-18BM(1N5248B)	UZ 18BM	2	
GND	4235007210	GND TERMINAL (POWER B'D)	GND	1	
Q201	2028406113 8195000310 7505299340 7505299320	KTD2058-Y-U HEAT SINK SCREW HEAT SINK EQ-131 HEAT SINK(45MM) REG TR	KTD 2058Y EQ-9131 EQ-9231	1	
Q202	2028117992 7505299340	KTB1366-Y-U HEAT SINK EQ-131	KTB1366 EQ-9131	1	

	7505299320	HEAT SINK(45MM) REG TR	EQ-9231		
Q203-204	2008606104	DEL TR NPN KTC1815Y (KTC3198)	KTC 3198	2	
R205-206	3009122973	RES CF 1.2K 1/5W J N	1.2K	2	
R210	3009104973	RES CF 100K 1/5W J N	100K	1	
R201	3039100575-T	RES MO 10 2W JR	10 2W	1	
R202	3039220575-T	RES MO 22 2W J RADIAL	22 2W	1	
R203-204	3039271575-T	RES MO 270 2W J RADIAL	270 2W	2	
R211-212	3039479572-F	RES MO 4.7 2W J N	4.7 2W	2	
R208	3009472973	RES CF 4.7K 1/5W J N	4.7K	1	
R209	3009561973	RES CF 560 1/5W J N	560	1	
R207	3009682973	RES CF 6.8K 1/5W J N	OPEN	1	
SW201	4618006610	SW SELECTOR(SDJL2SBKP011)SPO91	SW	1	

FADER B'D (4003504401)

AN301				1	
BK1	6505953310	HOLDER BRACKET EQ-9231		1	
CON101-109	4428594504	WAFER (53014-0410)/2MM/MH51004	WAFER-4P	9	
CON110	4428595702	53015-0210/2MM/MH51004	WAFER-2P	1	
CON301-302	4428595703	53015-0310/2MM/MH51004	WAFER-3P	2	
CON25			CONxxx	1	
D301-303	2300030100 6535996940	LED LTL-1CHE LITEON LED LIMIT HOLDER	RED	3	
D304	2300050100	LED LTL-307E LITEON	LED(RED)	1	
R301-302	3009202973	RES CF 2K 1/5W J N	2K	2	
SW301-302	4628991710	SW PUSH SPEC122SC011(SUB98)	SW SLIDE	2	
VR1			LEVEL	1	
VR2			FREQ	1	
VR301-332	3238094710	VR RS20111C600223W (RSC39)	20KW	32	

ASSY

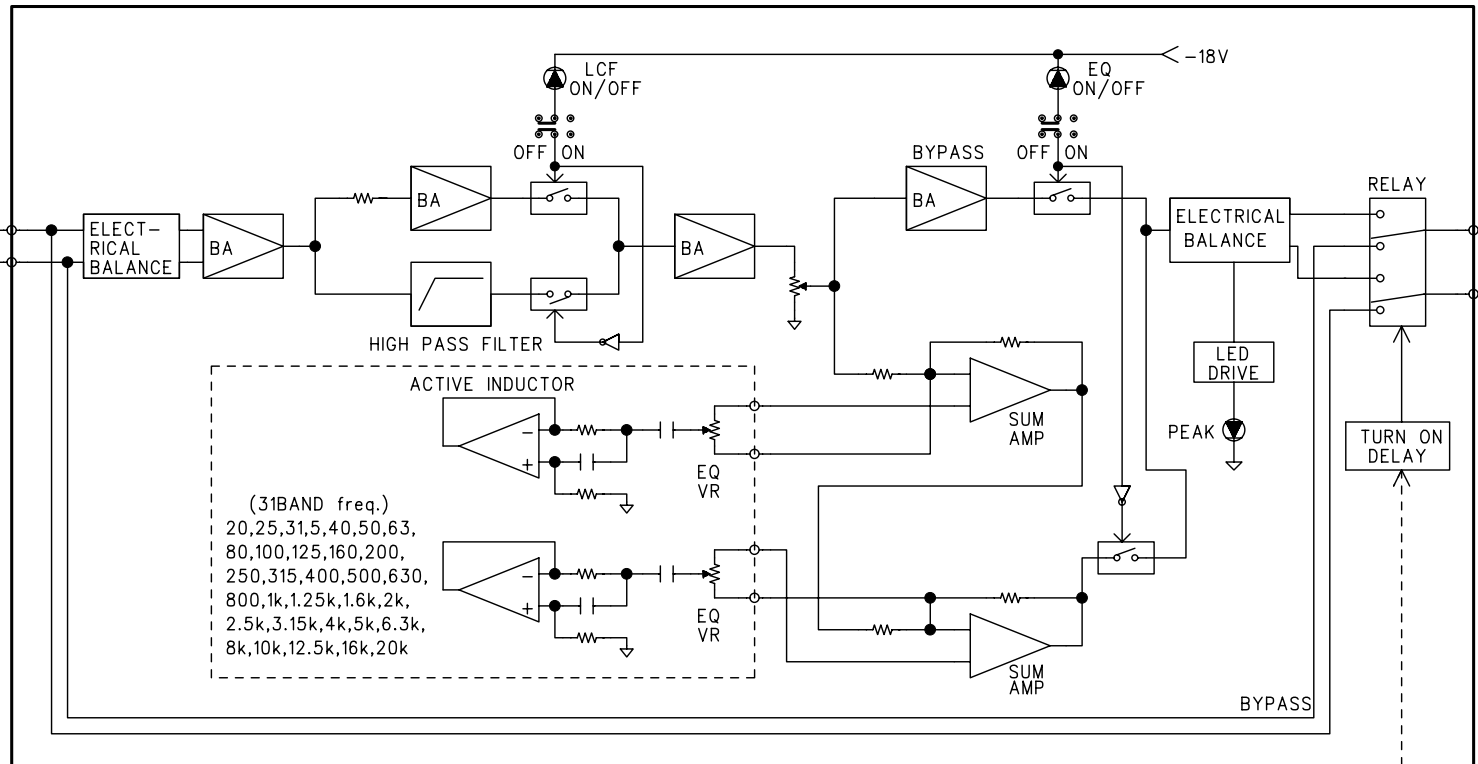
AC CORD	4308997310 4308996710 4353997820 4308998000 4308999310 4308993510 4308999410	AC CORD DOME 3-CORES AC CORD (WITHOUT PLUG) XLR CORD AC CORD POWER FOR SAA AC CORD UL 3 (INLET) AC CORD KKP-210/KKS-16T (JIS) AC CORD V+VII6A-250VHOVV-F3G	C D E J R		
AC INLET	4448996810 4448997110	AC INLET 31.8MM AC INLET NO.KE-10.2100.151	C , R	1	AC1
CON	4355934703 4355473415 4355473515 4355473819 4355473919 4355903726 4355903819 4355903919 4355932816	187T & TUBE CON ASS'Y Y-GRE CON ASSY 8P 330MM CON ASSY 8P 330MM CON ASSY 8P 450MM CON ASSY 8P 450MM CON ASSY 4P CON ASSY 2P CON ASSY 6P 187T & TUBE CON ASSY			
FUSE	4448996911 5508220933 5508411039 5508221330 4448997120 5508221333 5508221233 5508311439 5508221733 5508222233	FUSE DRAWER(31.8MM) FUSE NB 31.8MM 150MA/250V U/C FUSE#218T 20MM 160MA/250V UCSK FUSE NB 31.8MM 300MA/250V KS FUSE DRAWER NO.4305.0001(20MM) FUSE NB 31.8MM 300MA/250V U/C FUSE NB 31.8MM 250MA/250V U/C FUSE#218T 20MM 315MA/250V UCSK FUSE NB 31.8MM 500MA/250V U/C FUSE NB 31.8MM 1A/250V U/C	(EQ-9131) EQ-9131(C , R) (EQ-9231) C , R EQ-9131(E , J) EQ-9131(J) EQ-9231(C , R) EQ-9231(E) EQ-9231(J)	1	F1
PT	2828076340 2828083610 2828076300	POWER TRANS EQ-9131 TRANS POWER EQ-9231 TRANSFORMER POWER 100V EQ-9131	(EQ-9131) (EQ-9231) EQ-9131(J)	1	TP1

	2828059200	TRANS POWER EQ-9231 100V	EQ-9231(J)		
SW	4648099110	SW PUSH JPJ010-301DT-41	(EQ-9131)	1	S1
	4628992310	SWITCH POWER PS3-22-W3AZ	(EQ-9231)		
POWER SW	4835002710	INSULATION POWER SWITCH	EQ-9131(C , J , R) EQ-9231(J)		
VOL.	4448996914	VOLTAGE SELECTOR 220V ONLY			
	4448997112	VOLTAGE 4305.0048.17(115/230)	C , R		
	4448996916	VOLTAGE SELECTOR 120/240V	D , E		
	4448996917	VOLTAGE SELECTOR 100V ONLY	J		
	3549472407	CAP DE2E3KH472MA4B		1	SK1

1		2			3		4		5		6	
COMPANY	INTER.M	APPLICANT	REVISED NUMBER AND DATE			SIGN	DRAWN	CHECKED	APPROVED	NOTE	SHEET NO.	BLOCK DIAGRAM
TYPE CODE			1.	4.	7.		M Y PARK					MODEL : EQ-9131 Q-131
APPROVED DATE			2.	5.	8.							
			3.	6.	9.							

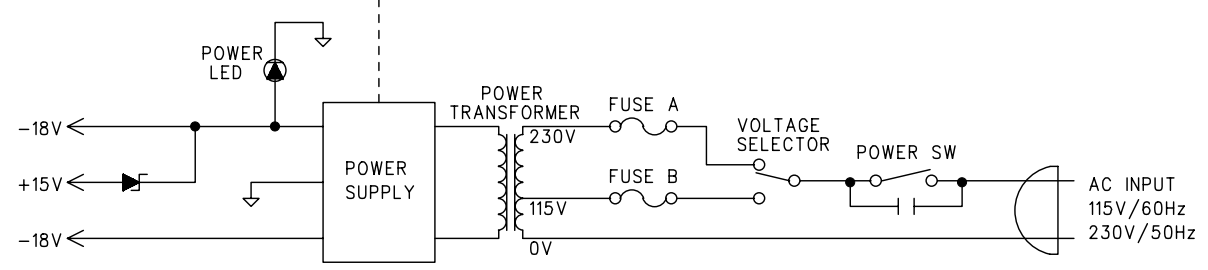
INPUT

PHONE JACK
1V/10Kohms
XLR(FEMALE)



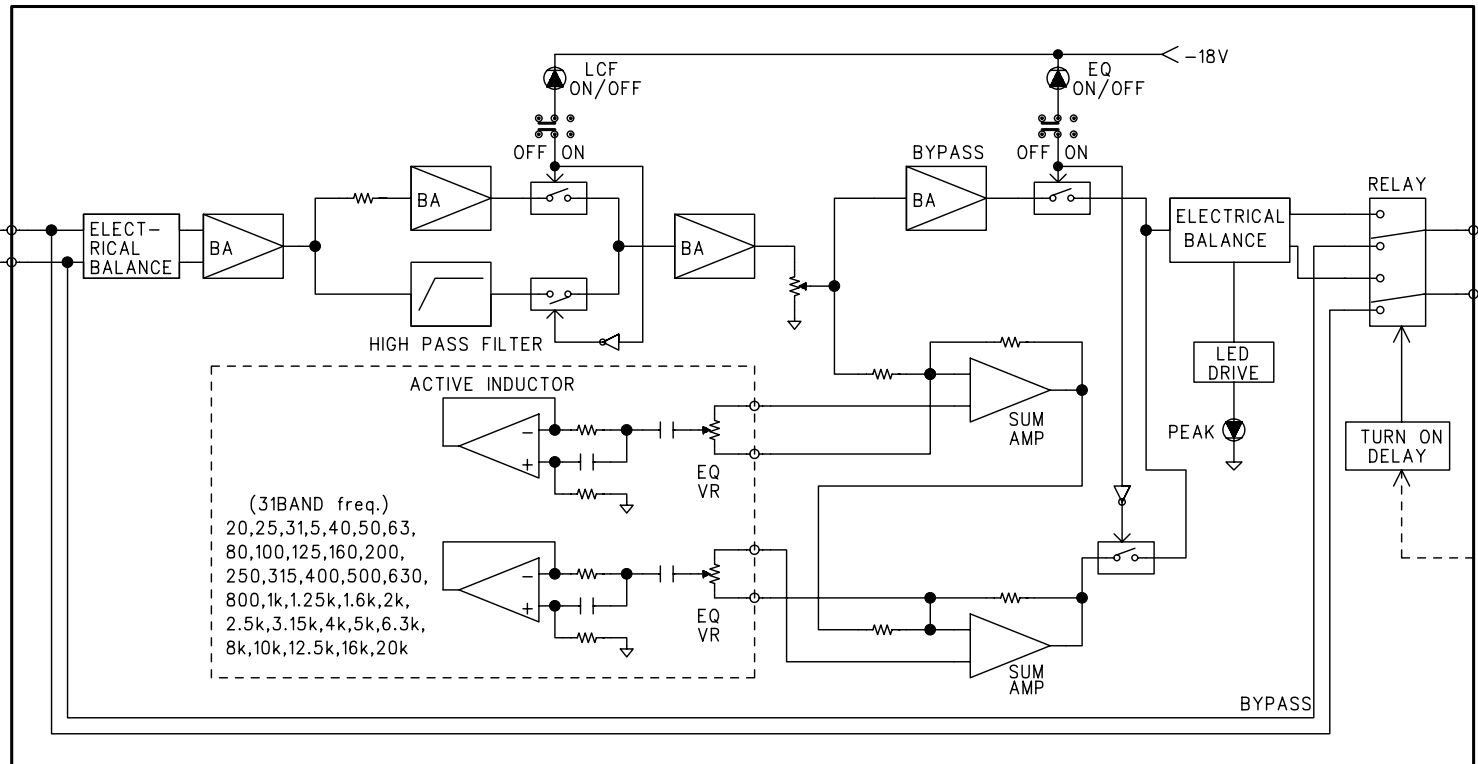
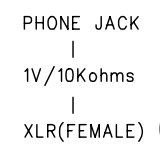
OUTPUT

XLR (MALE)
BALANCED
1V/120ohms
PHONE JACK
BALANCED
1V/120ohms

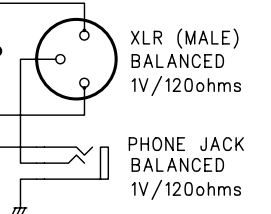


1		2			3		4		5		6	
COMPANY	INTER.M	APPLICANT	REVISED NUMBER AND DATE			SIGN	DRAWN	CHECKED	APPROVED	NOTE	SHEET NO.	BLOCK DIAGRAM
TYPE CODE			1.	4.	7.	M Y	PARK					MODEL : EQ-9231 Q-231
APPROVED DATE			2.	5.	8.							
			3.	6.	9.							

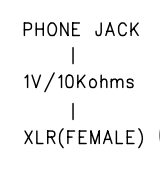
CH1
INPUT



OUTPUT



CH2
INPUT



OUTPUT

