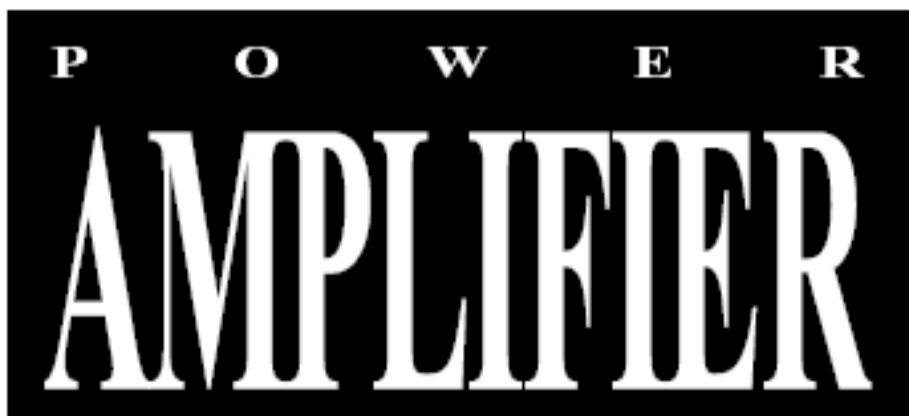


# **SERVICE MANUAL**



**L-800/1400/1800/2400**

**interM**

# CONTENTS

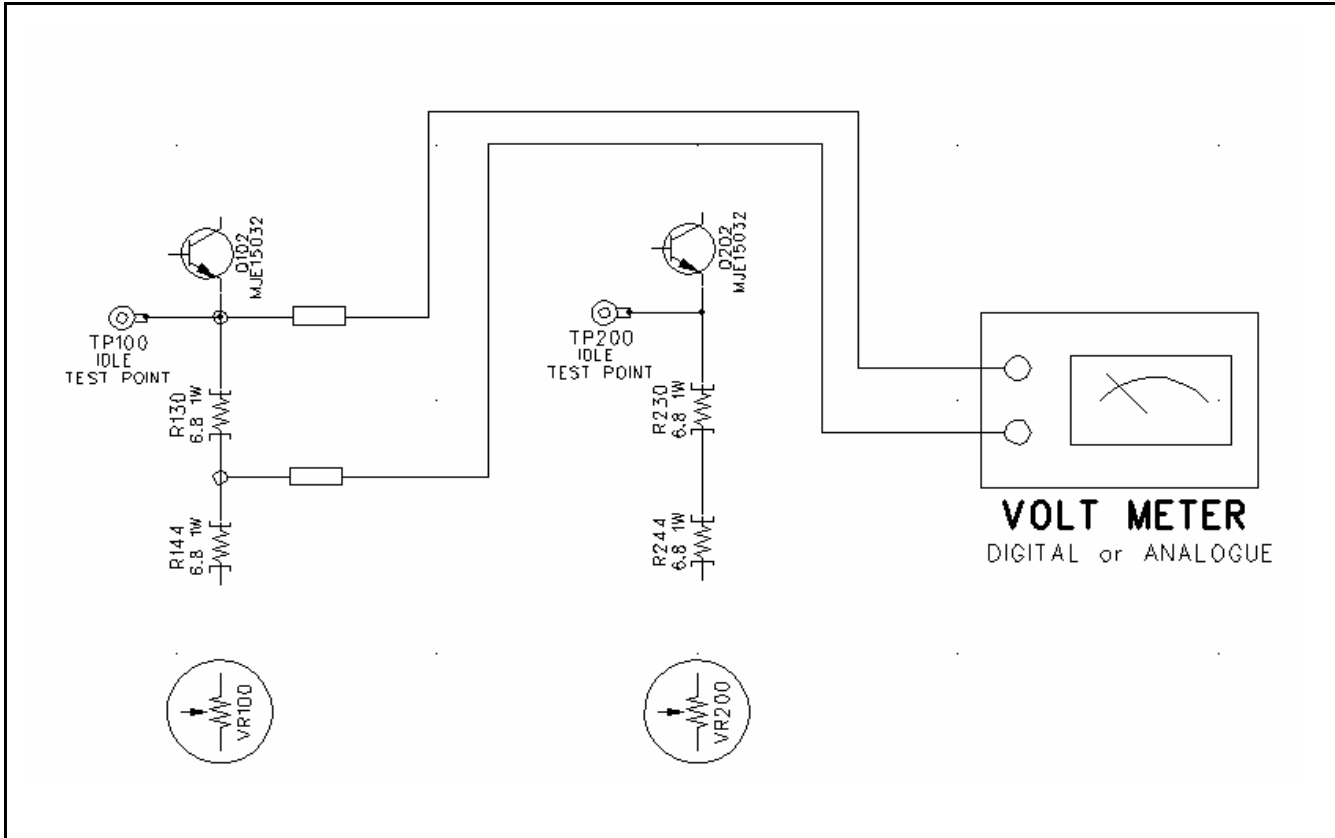
Electrical Adjustment Procedure.....	
Specifications .....	
Electrica Parts List.....	
Top and Bottom View of P.C.Board .....	
Block Diagram .....	
Wiring Diagram .....	
Schematic Diagram .....	
Exploded View of Cabinet & Chassis / Mechanical Parts List.....	
Ass'y Drawing .....	

## REQUIRED TEST EQUIPMENT

1. Oscilloscope
2. 1kHz audio sine wave generator
3. Digital multimeter
4. 2-ohm resistive load (rated for at least 1200W)

## IDLE CURRENT(L-800/1400)

1. Setting  
set the master volume controls minimum
2. Connection



### 3. Adjustment

While measuring the DC voltage across resistor R130 and R230 adjust VR 100 and VR 200, range as shown below.

Model	DC voltage range	Adjust
L-800	140mV 180mV	Channel 1 : DC voltage across R130(6.8 /1W), adjust VR100
L-1400	120mV 160mV	Channel 2 : DC voltage across R230(6.8 /1W), adjust VR200

## CURRENT LIMITS(L-800/1400)

1. Setting  
Channel 1 input : Set the 1kHz sine generator connect  
Channel 1 output : Connect a 2-ohm load and the oscilloscope probe across
2. Adjustment  
Turn the volume control back up until the output clips.  
The voltage at which the signal starts to clip should fall within the range shown below

Model	Clipping voltage range(2-ohm)	Adjust
L-800	27V~31V	Channel 1 : Adjust VR101 & VR102 for symmetry
L-1400	34V~38V	Channel 2 : Adjust VR201 & VR202 for symmetry

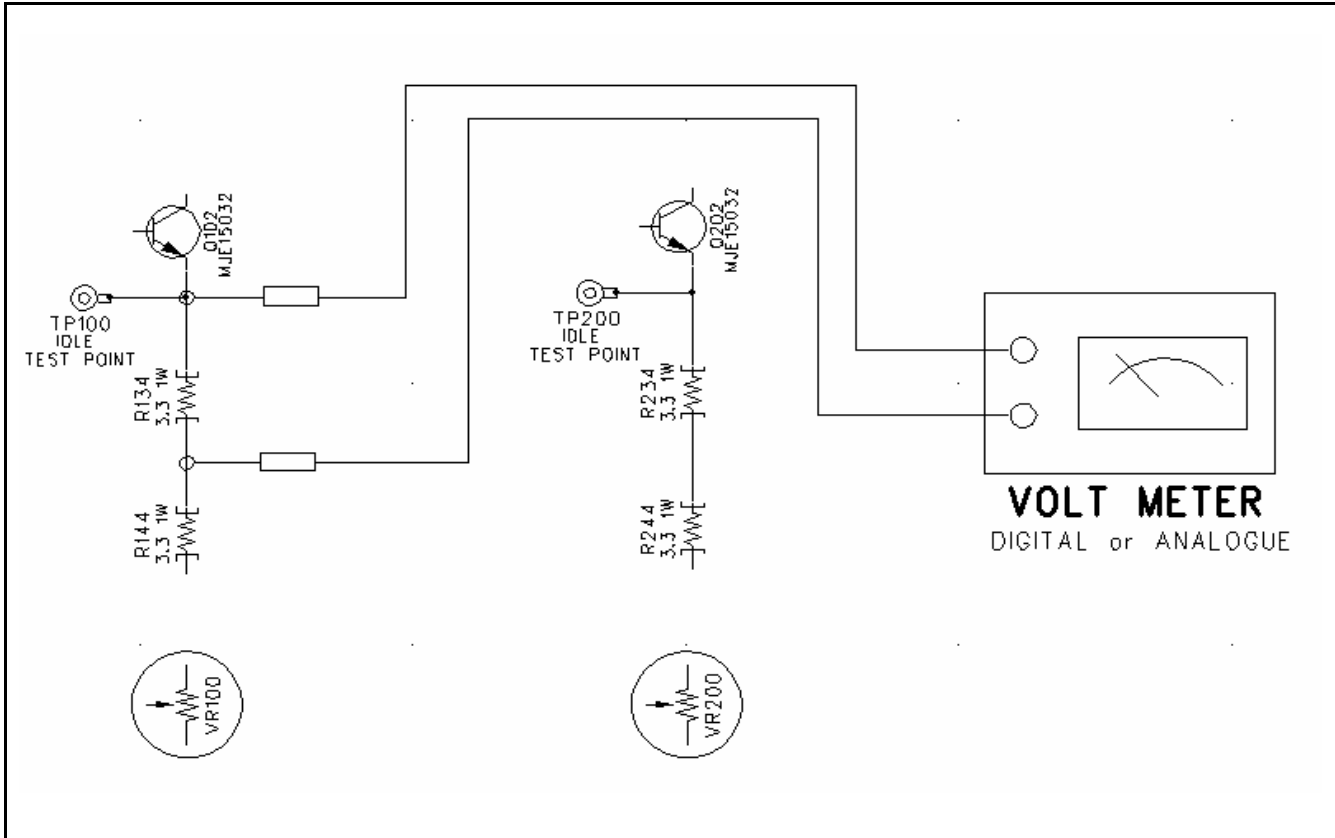
\* Repeat steps 1 through 2 for Channel 2

## REQUIRED TEST EQUIPMENT

1. Oscilloscope
2. 1kHz audio sine wave generator
3. Digital multimeter
4. 2-ohm resistive load (rated for at least 1200W)

## IDLE CURRENT(L-1800/2400)

1. Setting  
set the master volume controls minimum
2. Connection



### 3. Adjustment

While measuring the DC voltage across resistor R134 and R234  
adjust VR 100 and VR 200, range as shown below.

Model	DC voltage range	Adjust
L-1800	70mV 110mV	Channel 1 : DC voltage across R134(3.3 /1W), adjust VR100
L-2400	60mV 100mV	Channel 2 : DC voltage across R234(3.3 /1W), adjust VR200

## CURRENT LIMITS(L-1800/2400)

1. Setting  
Channel 1 input : Set the 1kHz sine generator connect  
Channel 1 output : Connect a 2-ohm load and the oscilloscope probe across
2. Adjustment  
Turn the volume control back up until the output clips.  
The voltage at which the signal starts to clip should fall within the range shown below

Model	Clipping voltage range(2-ohm)	Adjust
L-1800	41V~45V	Channel 1 : Adjust VR101 & VR102 for symmetry
L-2400	46V~50V	Channel 2 : Adjust VR201 & VR202 for symmetry

\* Repeat steps 1 through 2 for Channel 2

# Specification

	L-800	L-1400	L-1800	L-2400
Power Output Level				
STEREO RL=8	200W	280W	360W	500W
RL=4	300W	450W	600W	750W
RL=2	430W	700W	900W	1200W
BRIDGED RL=8	600W	900W	1200W	1500W
RL=4	800W	1400W	1800W	2400W
Frequency Response RL=8 , P.=1W	20Hz~20kHz : $\pm 0/1$ dB, -3dB : 5Hz~70kHz			
THD+N f=20Hz~20kHz, Half Power(L-800/1400) 1/10Power(L-1800/2400) STEREO RL=8 & 4 BRIDGED RL=8	0.03% 0.03%			
Channel Separation Half Power RL=8 , f=1kHz, ATT. max. Input 600 shunt	80dB			
Residual Noise (DIN Audio Filter)	-85dB: ATT min.			
Signal-to-Noise Ratio DIN Audio, Input 600 Shunt	100dB			
Input Sensitivity (Rated Power into 4 1kHz)	2.7dBu	2.7dBu	3.5dBu	3.5dBu
Damping Factor RL=8 , f=1kHz	400			
Voltage Gain (ATT max.) 4 1kHz	30dB	32dB	33dB	34dB
Output Circuitry	AB Class	AB Class	H Class	H Class
Input Impedance (ATT max.)	20k (Balance/Unbalance)			
Indicators	Power			Blue
	Clip / Limiter			Red
	Signal			Green
	Protection			Red
	Mode Selector			Yellow
Protection	Power SW ON/OFF muting, Full short circuit Thermal protection, RF protection			
Fan Circuit	Low-Speed - Variable - Hi-Speed			
Power Source	AC 220V, 60Hz			
Power Consumption(1/8 POWER)	3A	3.5A	4A	4.5A
Weight	14Kg	14.4Kg	15Kg	15.6Kg
Appearance	482(W) x 88(H) x 369(D)mm			
Connector	Input XLR-3-31 type + 1/4"Phone (balanced), XLR Output 5-Way binding postsx2, Speakon Terminalx2			

0dB=0.775 Vrms, Half Power=1/2 Power Output Level (Rated Power)

This specification and performance might change without a prior notice depending on the company's situations.

## L-800

REF	ITEM NO	DEFINE	VALUE
<b>AMP(4005179100)</b>			
BD400	2058100500	DIODE BRIDGE GBPC-W 2504	GBPC2504
BD402	2058100500	DIODE BRIDGE GBPC-W 2504	GBPC2504
BD404	S22201500009	DIODE BRIDGE DBS105G	DBS105G
C100	S35101815331	CAP CE C 180PF 50V 0805(2012)	180P
C101	3409847021-T	CAP AF NP 47UF 10V	47/10 NP
C102	S35101815331	CAP CE C 180PF 50V 0805(2012)	180P
C103	S35101044344	CAP CE0.1UF 50V J(3216)	0.1/50(3216)
C104	S35101044344	CAP CE0.1UF 50V J(3216)	0.1/50(3216)
C105	3409210141-T	CAP AF RSG 100UF 25V 6 P	100/25
C106	S35101044344	CAP CE0.1UF 50V J(3216)	0.1/50(3216)
C107	3609224122-T	CAP MA 0.22UF 100V J MINI	0.22/100(M)
C108	3609154122-T	CAP MA 0.15UF 100V MINI	0.15/100(M)
C109	3609154122-T	CAP MA 0.15UF 100V MINI	0.15/100(M)
C110	S35105604331	CAP CE C 56PF 50V J 0805(2012)	56P
C111	3409222171-T	CAP AF RSG 220UF 50V SG 10 P	220/50
C112	S35105604331	CAP CE C 56PF 50V J 0805(2012)	56P
C113	3409222171-T	CAP AF RSG 220UF 50V SG 10 P	220/50
C114	3609223120-T	CAP MA 0.022UF 100V J	0.022/100(M)
C115	S35102224344	CAP CE2200PF 50V J(3216)	2200PF(3216)
C116	3609332120-T	CAP MA 0.0033UF 100V	0.0033/100(M)
C117	3609332120-T	CAP MA 0.0033UF 100V	0.0033/100(M)
C118	3609223120-T	CAP MA 0.022UF 100V J	0.022/100(M)
C119	3409247255	CAP LP472Z0800400 4700UF 80V	4700/80
C121	3409247255	CAP LP472Z0800400 4700UF 80V	4700/80
C123	3609683153-T	CAP TL 0.068UF 250V(SAMWHA)	0.068/250(M)
C125	3409247044-T	CAP RG 47UF 25V	47/25
C126	3609102120-T	CAP MA 0.001UF 100V	0.001/100
C200	S35101815331	CAP CE C 180PF 50V 0805(2012)	180P
C201	3409847021-T	CAP AF NP 47UF 10V	47/10 NP
C202	S35101815331	CAP CE C 180PF 50V 0805(2012)	180P
C205	3409210141-T	CAP AF RSG 100UF 25V 6 P	100/25
C206	S35101044344	CAP CE0.1UF 50V J(3216)	0.1/50(3216)
C207	3609224122-T	CAP MA 0.22UF 100V J MINI	0.22/100(M)
C208	3609154122-T	CAP MA 0.15UF 100V MINI	0.15/100(M)
C209	3609154122-T	CAP MA 0.15UF 100V MINI	0.15/100(M)
C210	S35105604331	CAP CE C 56PF 50V J 0805(2012)	56P
C211	3409222171-T	CAP AF RSG 220UF 50V SG 10 P	220/50
C212	S35105604331	CAP CE C 56PF 50V J 0805(2012)	56P
C213	3409222171-T	CAP AF RSG 220UF 50V SG 10 P	220/50
C214	3609223120-T	CAP MA 0.022UF 100V J	0.022/100(M)
C215	S35102224344	CAP CE2200PF 50V J(3216)	2200PF(3216)
C216	3609332120-T	CAP MA 0.0033UF 100V	0.0033/100(M)
C217	3609332120-T	CAP MA 0.0033UF 100V	0.0033/100(M)
C218	3609223120-T	CAP MA 0.022UF 100V J	0.022/100(M)
C219	3409247255	CAP LP472Z0800400 4700UF 80V	4700/80
C221	3409247255	CAP LP472Z0800400 4700UF 80V	4700/80
C223	3609683153-T	CAP TL 0.068UF 250V(SAMWHA)	0.068/250(M)
C225	3409247044-T	CAP RG 47UF 25V	47/25
C226	3609102120-T	CAP MA 0.001UF 100V	0.001/100
C400	3609224153	CAP TL 0.22UF 250V J(10MM)	0.22/250
C401	3609224153	CAP TL 0.22UF 250V J(10MM)	0.22/250
C405	3409247801	CAP AF SG 4.7UF 250V	4.7/250
C406	3409247071-T	CAP AF RSG 47UF 50V 6 P	47/50
C407	S35101044344	CAP CE0.1UF 50V J(3216)	0.1/50(3216)

REF	ITEM_NO	DEFINE	VALUE
C408	S35101014331	CAP CE C 100PF 50V J 0805(2012	100P
C409	3408210261	CAP RSG 1000UF 35V SNAP 16 P	1000/35
C411	3408210261	CAP RSG 1000UF 35V SNAP 16 P	1000/35
D100	S22400505002	DIODE KDS135S HIGH VOLT(KEC)	KDS135S
D101	S22400505002	DIODE KDS135S HIGH VOLT(KEC)	KDS135S
D102	S22400505002	DIODE KDS135S HIGH VOLT(KEC)	KDS135S
D103	S22400505002	DIODE KDS135S HIGH VOLT(KEC)	KDS135S
D104	2058400996	DIODE IN4934 TAIWAN	1N 4934
D105	2058400996	DIODE IN4934 TAIWAN	1N 4934
D106	S22400505002	DIODE KDS135S HIGH VOLT(KEC)	KDS135S
D107	S22400505002	DIODE KDS135S HIGH VOLT(KEC)	KDS135S
D108	S22400505002	DIODE KDS135S HIGH VOLT(KEC)	KDS135S
D109	S22400505002	DIODE KDS135S HIGH VOLT(KEC)	KDS135S
D110	2058100110	DIODE RL207 PYUNG CHANG	PS 2010
D111	2058100110	DIODE RL207 PYUNG CHANG	PS 2010
D112	S22400505002	DIODE KDS135S HIGH VOLT(KEC)	KDS135S
D113	S22400505002	DIODE KDS135S HIGH VOLT(KEC)	KDS135S
D200	S22400505002	DIODE KDS135S HIGH VOLT(KEC)	KDS135S
D201	S22400505002	DIODE KDS135S HIGH VOLT(KEC)	KDS135S
D202	S22400505002	DIODE KDS135S HIGH VOLT(KEC)	KDS135S
D203	S22400505002	DIODE KDS135S HIGH VOLT(KEC)	KDS135S
D204	2058400996	DIODE IN4934 TAIWAN	1N 4934
D205	2058400996	DIODE IN4934 TAIWAN	1N 4934
D206	S22400505002	DIODE KDS135S HIGH VOLT(KEC)	KDS135S
D207	S22400505002	DIODE KDS135S HIGH VOLT(KEC)	KDS135S
D208	S22400505002	DIODE KDS135S HIGH VOLT(KEC)	KDS135S
D209	S22400505002	DIODE KDS135S HIGH VOLT(KEC)	KDS135S
D210	2058100110	DIODE RL207 PYUNG CHANG	PS 2010
D211	2058100110	DIODE RL207 PYUNG CHANG	PS 2010
D212	S22400505002	DIODE KDS135S HIGH VOLT(KEC)	KDS135S
D213	S22400505002	DIODE KDS135S HIGH VOLT(KEC)	KDS135S
D400	2058100996	DIODE RECTIFIER LT1N4006(4007)	1N 4006
D401	S22400505002	DIODE KDS135S HIGH VOLT(KEC)	KDS135S
D402	S22400505002	DIODE KDS135S HIGH VOLT(KEC)	KDS135S
D403	S22400505002	DIODE KDS135S HIGH VOLT(KEC)	KDS135S
D404	S22400505002	DIODE KDS135S HIGH VOLT(KEC)	KDS135S
D405	S22400505002	DIODE KDS135S HIGH VOLT(KEC)	KDS135S
D406	S22400505002	DIODE KDS135S HIGH VOLT(KEC)	KDS135S
D407	S22400505002	DIODE KDS135S HIGH VOLT(KEC)	KDS135S
D408	S22400505002	DIODE KDS135S HIGH VOLT(KEC)	KDS135S
D409	2058100996	DIODE RECTIFIER LT1N4006(4007)	1N 4006
D410	2058100996	DIODE RECTIFIER LT1N4006(4007)	1N 4006
D411	2058100996	DIODE RECTIFIER LT1N4006(4007)	1N 4006
D412	2058100996	DIODE RECTIFIER LT1N4006(4007)	1N 4006
D413	2058100996	DIODE RECTIFIER LT1N4006(4007)	1N 4006
D414	2058100996	DIODE RECTIFIER LT1N4006(4007)	1N 4006
IC100	2118013377	IC NE5532N PHILIPS	NJM 5532N
IC101	S21101167701	IC NE5517D PHILIPS	NE5517D
IC200	2118013377	IC NE5532N PHILIPS	NJM 5532N
IC400	2118001403	IC 4N29(THROUGH HOLE)	4N29
L100	2648099800	COIL INDUTOR 2.2UF	2.2uH
L200	2648099800	COIL INDUTOR 2.2UF	2.2uH
PO400	2438009800	POSISTOR P43T4D100BW140(H1)	H1
PO401	2438009800	POSISTOR P43T4D100BW140(H1)	H1
Q101	S20510405004	2N3906S- RTK	3906
Q102	2028407995	TR NPN MJE15032(MOTOROLA)	MJE15032

REF	ITEM_NO	DEFINE	VALUE
Q103	2028107118	TR PNP 2SA1943 TOSHIBA	2SA 1943
Q104	2028107118	TR PNP 2SA1943 TOSHIBA	2SA 1943
Q105	2028107118	TR PNP 2SA1943 TOSHIBA	2SA 1943
Q106	2028107995	TR PNP MJE15033 (MOTOROLA)	MJE15033
Q107	2028407122	TR NPN 2SC5200 TOSHIBA	2SC 5200
Q108	2028407122	TR NPN 2SC5200 TOSHIBA	2SC 5200
Q109	2028407122	TR NPN 2SC5200 TOSHIBA	2SC 5200
Q201	S20510405004	2N3906S-RTK	3906
Q202	2028407995	TR NPN MJE15032(MOTOROLA)	MJE15032
Q203	2028107118	TR PNP 2SA1943 TOSHIBA	2SA 1943
Q204	2028107118	TR PNP 2SA1943 TOSHIBA	2SA 1943
Q205	2028107118	TR PNP 2SA1943 TOSHIBA	2SA 1943
Q206	2028107995	TR PNP MJE15033 (MOTOROLA)	MJE15033
Q207	2028407122	TR NPN 2SC5200 TOSHIBA	2SC 5200
Q208	2028407122	TR NPN 2SC5200 TOSHIBA	2SC 5200
Q209	2028407122	TR NPN 2SC5200 TOSHIBA	2SC 5200
Q400	S20160402009	TR NPN KST42MTF FSC	KST42
Q401	S20560448002	TR NPN 2N3904 SOT23 HSMC	3904
Q402	S20560448002	TR NPN 2N3904 SOT23 HSMC	3904
Q403	S20510405004	2N3906S-RTK	3906
Q404	S20510405004	2N3906S-RTK	3906
Q405	S20560448002	TR NPN 2N3904 SOT23 HSMC	3904
Q406	S20560448002	TR NPN 2N3904 SOT23 HSMC	3904
Q407	S20560448002	TR NPN 2N3904 SOT23 HSMC	3904
Q408	S20510405004	2N3906S-RTK	3906
Q409	S20510405004	2N3906S-RTK	3906
Q410	2028400882	TR NPN TIP31TU FSC	TIP31C
R100	S30121005230	RES TF 10K F 1/10W 2012	10K 1%
R101	S30121005230	RES TF 10K F 1/10W 2012	10K 1%
R102	S30121005230	RES TF 10K F 1/10W 2012	10K 1%
R103	S30101027231	RES TF 1K 1/10W 2012	1K
R104	S30121005230	RES TF 10K F 1/10W 2012	10K 1%
R105	S30101037231	RES TF 10K 1/10W 2012	10K
R106	S30101547340	RES TF 150K J 3216	150K(3216)
R107	S30103937231	RES TF 39K 1/10W 2012	39K
R108	S30101017231	RES TF 100 1/10W 2012	100
R109	S30107527230	RES TF 7.5K J 1/10W 2012	7.5K
R110	S30101017231	RES TF 100 1/10W 2012	100
R111	S30102717231	RES TF 270 1/10W 2012	270
R112	S30103947340	RES TF 390K J 3216	390K(3216)
R113	S30101227231	RES TF 1.2K 1/10W 2012	1.2K
R114	S30102037231	RES TF 20K 1/10W 2012	20K
R115	S30102037231	RES TF 20K 1/10W 2012	20K
R116	S30108217340	RES TF 820 J 3216	820(3216)
R117	S30101547340	RES TF 150K J 3216	150K(3216)
R118	S30102717231	RES TF 270 1/10W 2012	270
R119	3032100455-T	RES MO 10K 1W FR	10K 1W_1%
R120	S30101547340	RES TF 150K J 3216	150K(3216)
R121	S30101017231	RES TF 100 1/10W 2012	100
R122	S30108217340	RES TF 820 J 3216	820(3216)
R123	S30108217340	RES TF 820 J 3216	820(3216)
R124	3059152875	RES CE 1.5K 7W JR	1.5K7WCE
R125	3059152875	RES CE 1.5K 7W JR	1.5K7WCE
R126	3079220475-T	RES NFR 22 1W JR	FR 22 1W
R127	3059228674	RES CE RGC3 0.22 3W(NOBLE)	0.22 3WCE
R128	3059228674	RES CE RGC3 0.22 3W(NOBLE)	0.22 3WCE



REF	ITEM_NO	DEFINE	VALUE
R129	3059228674	RES CE RGC3 0.22 3W(NOBLE)	0.22 3WCE
R130	3039689475-T	RES MO 6.8 1W JR	6.8 1W
R131	3039821674	RES MO 820 3W JR	820 3W
R132	3039821674	RES MO 820 3W JR	820 3W
R133	3039569575-T	RES MO 5.6 2W JR	5.6 2W
R134	3039120674	RES MO 12 3W JP	12 3W
R135	3039120674	RES MO 12 3W JP	12 3W
R136	3079220475-T	RES NFR 22 1W JR	FR 22 1W
R137	3059228674	RES CE RGC3 0.22 3W(NOBLE)	0.22 3WCE
R138	3059228674	RES CE RGC3 0.22 3W(NOBLE)	0.22 3WCE
R139	3059228674	RES CE RGC3 0.22 3W(NOBLE)	0.22 3WCE
R143	S30104707231	RES TF 47 1/10W 2012	47
R144	3039689475-T	RES MO 6.8 1W JR	6.8 1W
R145	S30102717231	RES TF 270 1/10W 2012	270
R200	S30121005230	RES TF 10K F 1/10W 2012	10K 1%
R201	S30121005230	RES TF 10K F 1/10W 2012	10K 1%
R202	S30121005230	RES TF 10K F 1/10W 2012	10K 1%
R203	S30101027231	RES TF 1K 1/10W 2012	1K
R204	S30121005230	RES TF 10K F 1/10W 2012	10K 1%
R205	S30101037231	RES TF 10K 1/10W 2012	10K
R206	S30101547340	RES TF 150K J 3216	150K(3216)
R207	S30103937231	RES TF 39K 1/10W 2012	39K
R208	S30101017231	RES TF 100 1/10W 2012	100
R209	S30107527230	RES TF 7.5K J 1/10W 2012	7.5K
R210	S30101017231	RES TF 100 1/10W 2012	100
R211	S30102717231	RES TF 270 1/10W 2012	270
R212	S30103947340	RES TF 390K J 3216	390K(3216)
R213	S30101227231	RES TF 1.2K 1/10W 2012	1.2K
R214	S30102037231	RES TF 20K 1/10W 2012	20K
R215	S30102037231	RES TF 20K 1/10W 2012	20K
R216	S30108217340	RES TF 820 J 3216	820(3216)
R217	S30101547340	RES TF 150K J 3216	150K(3216)
R218	S30102717231	RES TF 270 1/10W 2012	270
R219	3032100455-T	RES MO 10K 1W FR	10K 1W_1%
R220	S30101547340	RES TF 150K J 3216	150K(3216)
R221	S30101017231	RES TF 100 1/10W 2012	100
R222	S30108217340	RES TF 820 J 3216	820(3216)
R223	S30108217340	RES TF 820 J 3216	820(3216)
R224	3059152875	RES CE 1.5K 7W JR	1.5K7WCE
R225	3059152875	RES CE 1.5K 7W JR	1.5K7WCE
R226	3079220475-T	RES NFR 22 1W JR	FR 22 1W
R227	3059228674	RES CE RGC3 0.22 3W(NOBLE)	0.22 3WCE
R228	3059228674	RES CE RGC3 0.22 3W(NOBLE)	0.22 3WCE
R229	3059228674	RES CE RGC3 0.22 3W(NOBLE)	0.22 3WCE
R230	3039689475-T	RES MO 6.8 1W JR	6.8 1W
R231	3039821674	RES MO 820 3W JR	820 3W
R232	3039821674	RES MO 820 3W JR	820 3W
R233	3039569575-T	RES MO 5.6 2W JR	5.6 2W
R234	3039120674	RES MO 12 3W JP	12 3W
R235	3039120674	RES MO 12 3W JP	12 3W
R236	3079220475-T	RES NFR 22 1W JR	FR 22 1W
R237	3059228674	RES CE RGC3 0.22 3W(NOBLE)	0.22 3WCE
R238	3059228674	RES CE RGC3 0.22 3W(NOBLE)	0.22 3WCE
R239	3059228674	RES CE RGC3 0.22 3W(NOBLE)	0.22 3WCE
R243	S30104707231	RES TF 47 1/10W 2012	47
R244	3039689475-T	RES MO 6.8 1W JR	6.8 1W

REF	ITEM_NO	DEFINE	VALUE
R245	S30102717231	RES TF 270 1/10W 2012	270
R300	S30103337340	RES TF 33K J 3216	33K(3216)
R301	S30103337340	RES TF 33K J 3216	33K(3216)
R302	S30103327231	RES TF 3.3K 1/10W 2012	3.3K
R303	S30101027231	RES TF 1K 1/10W 2012	1K
R304	3033909455-T	RES MO 9.09K 1W FR	9.09K1W_1%
R305	S30101537231	RES TF 15K 1/10W 2012	15K
R306	S30101537231	RES TF 15K 1/10W 2012	15K
R307	S30101537231	RES TF 15K 1/10W 2012	15K
R308	S30101537231	RES TF 15K 1/10W 2012	15K
R309	3039689475-T	RES MO 6.8 1W JR	6.8 1W
R310	S30101037231	RES TF 10K 1/10W 2012	10K
R311	S30101037231	RES TF 10K 1/10W 2012	10K
R402	3039683674	RES MO 68K 3W J	68K 3W
R403	S30101037340	RES TF 1M J 3216	1M(3216)
R404	3039683674	RES MO 68K 3W J	68K 3W
R405	S30101037340	RES TF 1M J 3216	1M(3216)
R406	S30102247340	RES TF 220K J 3216	220K(3216)
R407	S30102247231	RES TF 220K 1/10W 2012	220K
R408	S30102027231	RES TF 2K 1/10W 2012	2K
R409	S30101547340	RES TF 150K J 3216	150K(3216)
R410	S30109147340	RES TF 910K J 3216	910K(3216)
R411	S30103347340	RES TF 330K J 3216	330K(3216)
R412	S30102437231	RES TF 24K 1/10W 2012	24K
R413	3039683674	RES MO 68K 3W J	68K 3W
R414	3039683674	RES MO 68K 3W J	68K 3W
R415	S30106827340	RES TF 6.8K J 3216	6.8K(3216)
R416	S30106827340	RES TF 6.8K J 3216	6.8K(3216)
R417	S30104747340	RES TF 470K J 3216	470K(3216)
R418	S30102027231	RES TF 2K 1/10W 2012	2K
R419	3039121575-T	RES MO 120 2W JR	120 2W
R420	S30101037231	RES TF 10K 1/10W 2012	10K
R421	S30101037231	RES TF 10K 1/10W 2012	10K
R422	S30101037231	RES TF 10K 1/10W 2012	10K
R423	S30101037231	RES TF 10K 1/10W 2012	10K
R424	S30104707231	RES TF 47 1/10W 2012	47
R425	S30101017231	RES TF 100 1/10W 2012	100
SP100	4438189710	JACK SPEAKON NL4MD-H(NEUTRIK)	SPEAKON
SP101	4438189710	JACK SPEAKON NL4MD-H(NEUTRIK)	SPEAKON
SP102	4438189810	BINDING POST CL1597XA(CLIFF)	CL1597XA
SW100	4618499210	SW SLIDE JSS4319A(JEIL)	JSS4319A
TH100	2438209016	THERMISTOR NTC 5D-600 JPC	60 OHM NTC
TH200	2438209016	THERMISTOR NTC 5D-600 JPC	60 OHM NTC
TH400	2438209760	POWER THERMISTOR NTC -1D-30	1 OHM 30A
TH401	2423000999	SW POLY 50VX110 JX3K-T	1.1A 0.15 OHM
VR100	3248310120-T	RES RH0638C100101	100
VR101	3248322220-T	RES SEMI RH0638C100222	2.2K
VR102	3248322220-T	RES SEMI RH0638C100222	2.2K
VR200	3248310120-T	RES RH0638C100101	100
VR201	3248322220-T	RES SEMI RH0638C100222	2.2K
VR202	3248322220-T	RES SEMI RH0638C100222	2.2K
ZD100	2058510150	DIODE ZENER UZP-15BM(1N4744A)	UZP 15BM_1W
ZD101	2058510150	DIODE ZENER UZP-15BM(1N4744A)	UZP 15BM_1W
ZD102	2058502056	DIODE ZENER UZ-5.6BM(1N5232B)	UZ 5.6BM
ZD103	2058502056	DIODE ZENER UZ-5.6BM(1N5232B)	UZ 5.6BM
ZD200	2058510150	DIODE ZENER UZP-15BM(1N4744A)	UZP 15BM_1W

REF	ITEM_NO	DEFINE	VALUE
ZD201	2058510150	DIODE ZENER UZP-15BM(1N4744A)	UZP 15BM_1W
ZD202	2058502056	DIODE ZENER UZ-5.6BM(1N5232B)	UZ 5.6BM
ZD203	2058502056	DIODE ZENER UZ-5.6BM(1N5232B)	UZ 5.6BM
ZD400	2058510150	DIODE ZENER UZP-15BM(1N4744A)	UZP 15BM_1W
ZD401	2058510150	DIODE ZENER UZP-15BM(1N4744A)	UZP 15BM_1W
CN101	4428528122	CON WAFER 22FE-BT-VK-N	
CN102	4428528122	CON WAFER 22FE-BT-VK-N	
CN103	4428595003	LW5267/LWB0640/2.5MM-03P	
CN401	4355923804	CONNECTOR WAFER 04P (J.ST)	
CN402	4355923804	CONNECTOR WAFER 04P (J.ST)	
CN403	4428595005	LW5267/LWB0640/2.5MM-05P	
	4458999110	FUSE CLIP 5*20	
	4225000810-T	TEST POINT (NZ0352-001Z)	
	7505297320	TR HEAT SINK	
	4465998210	TERMINAL(250)PCB TAB	
	4255000410	FUSE CLIP 6*31.8	
	4355719203	CON ASS'Y 1P 100MM BLK	
	4355716126	CON ASS'Y 2P BLK/WHT 700MM#14	
<b>INPUT(4005179120)</b>			
C601	S35105604331	CAP CE C 56PF 50V J 0805(2012)	56P
C602	S35105604331	CAP CE C 56PF 50V J 0805(2012)	56P
C603	3409247044-T	CAP RG 47UF 25V	47/25
C604	S35105604331	CAP CE C 56PF 50V J 0805(2012)	56P
C605	S35105604331	CAP CE C 56PF 50V J 0805(2012)	56P
C606	3409247044-T	CAP RG 47UF 25V	47/25
C607	3509471130-T	CAP CE SL 470PF 50V J	470P
C608	3509471130-T	CAP CE SL 470PF 50V J	470P
C609	3509471130-T	CAP CE SL 470PF 50V J	470P
C610	3509471130-T	CAP CE SL 470PF 50V J	470P
D601	S22400505002	DIODE KDS135S HIGH VOLT(KEC)	KDS135S
D602	S22400505002	DIODE KDS135S HIGH VOLT(KEC)	KDS135S
D603	S22400505002	DIODE KDS135S HIGH VOLT(KEC)	KDS135S
D604	S22400505002	DIODE KDS135S HIGH VOLT(KEC)	KDS135S
IC601	S21101080002	IC NJM2068M/TE1~4	2068
IC602	S21101080002	IC NJM2068M/TE1~4	2068
JK601	4438090310	JACK COMBINATION CXLf-06L	COMBO
JK602	4408194310	XLR JACK (M) E503A0150N	XLR
JK603	4438090310	JACK COMBINATION CXLf-06L	COMBO
JK604	4408194310	XLR JACK (M) E503A0150N	XLR
R601	S30121005230	RES TF 10K F 1/10W 2012	10K 1%
R602	S30121005230	RES TF 10K F 1/10W 2012	10K 1%
R603	S30121005230	RES TF 10K F 1/10W 2012	10K 1%
R604	S30121005230	RES TF 10K F 1/10W 2012	10K 1%
R605	S30121005230	RES TF 10K F 1/10W 2012	10K 1%
R606	S30121005230	RES TF 10K F 1/10W 2012	10K 1%
R607	S30121005230	RES TF 10K F 1/10W 2012	10K 1%
R608	S30121005230	RES TF 10K F 1/10W 2012	10K 1%
SW600	4618999910	SW SS65010-0203-9H-FN	
SW601	4618999910	SW SS65010-0203-9H-FN	
SW602	4618299110	SW SLIDE JSS2201 S090(JEIL)	JSS2201
SW603	4618299110	SW SLIDE JSS2201 S090(JEIL)	JSS2201
AN101	4428528122	CON WAFER 22FE-BT-VK-N	
	4355719303	CON ASS'Y 1P 100MM BLK	
	6505955520	PCB BKT MX-400	

REF	ITEM_NO	DEFINE	VALUE
<b>VR(4005179110)</b>			
C500	S35104714344	CAP CE470PF 50V J(3216)	470P(3216)
C501	3409210023-T	CAP AF SE 10U/50V 6.4X5 (5MM)	Oct-50
C502	S35104714344	CAP CE470PF 50V J(3216)	470P(3216)
C503	3409210023-T	CAP AF SE 10U/50V 6.4X5 (5MM)	Oct-50
D500	S22400505002	DIODE KDS135S HIGH VOLT(KEC)	KDS135S
D501	S22400505002	DIODE KDS135S HIGH VOLT(KEC)	KDS135S
D502	S22400505002	DIODE KDS135S HIGH VOLT(KEC)	KDS135S
D503	S22400505002	DIODE KDS135S HIGH VOLT(KEC)	KDS135S
D504	S22400505002	DIODE KDS135S HIGH VOLT(KEC)	KDS135S
LD500	2300032105	LED LTL-16KG-021A LITEON	GRN
LD501	2300032105	LED LTL-16KG-021A LITEON	GRN
LD502	2300032105	LED LTL-16KG-021A LITEON	GRN
LD503	2300032105	LED LTL-16KG-021A LITEON	GRN
LD504	2300030105	LED LTL-16KHR-021A LITEON	RED
LD505	2300030105	LED LTL-16KHR-021A LITEON	RED
LD506	2300030105	LED LTL-16KHR-021A LITEON	RED
LD507	2300031105	LED LTL-16KY-021A LITEON	YEL
LD508	2300031105	LED LTL-16KY-021A LITEON	YEL
LD509	2300031105	LED LTL-16KY-021A LITEON	YEL
LD510	2300030105	LED LTL-16KHR-021A LITEON	RED
LD511	2300037000	LED OLB530IT-60(BLUE)	BLUE
Q501	S20510405004	2N3906S-RTK	3906
Q502	S20510405004	2N3906S-RTK	3906
Q503	S20510405004	2N3906S-RTK	3906
Q504	S20560448002	TR NPN 2N3904 SOT23 HSMC	3904
Q506	S20510405004	2N3906S-RTK	3906
Q507	S20510405004	2N3906S-RTK	3906
Q508	S20510405004	2N3906S-RTK	3906
Q509	S20560448002	TR NPN 2N3904 SOT23 HSMC	3904
Q510	S20560448002	TR NPN 2N3904 SOT23 HSMC	3904
R500	S30104727231	RES TF 4.7K 1/10W 2012	4.7K
R501	S30104727231	RES TF 4.7K 1/10W 2012	4.7K
R502	S30101027340	RES TF 1K J 3216	1K(3216)
R503	S30104727231	RES TF 4.7K 1/10W 2012	4.7K
R504	S30104727231	RES TF 4.7K 1/10W 2012	4.7K
R505	S30101027340	RES TF 1K J 3216	1K(3216)
R506	S30103927231	RES TF 3.9K 1/10W 2012	3.9K
R507	S30103927231	RES TF 3.9K 1/10W 2012	3.9K
R508	S30103927231	RES TF 3.9K 1/10W 2012	3.9K
R509	S30103927231	RES TF 3.9K 1/10W 2012	3.9K
R510	S30103927231	RES TF 3.9K 1/10W 2012	3.9K
R511	S30103927231	RES TF 3.9K 1/10W 2012	3.9K
R516	S30104737231	RES TF 47K 1/10W 2012	47K
R517	S30104737231	RES TF 47K 1/10W 2012	47K
R518	S30101527231	RES TF 1.5K 1/10W 2012	1.5K
VR501	3228067100	VR RK09S11F0202-2.5KB	2.5KB
VR502	3228067100	VR RK09S11F0202-2.5KB	2.5KB
ZD501	2058502024	DIODE ZENER 1N5221B 2.4BM	UZ 2.4BM
ZD502	2058502024	DIODE ZENER 1N5221B 2.4BM	UZ 2.4BM
AN100	4428528122	CON WAFER 22FE-BT-VK-N	
<b>ASS'Y</b>			
	4355719500	FLEXIBLE FLAT CABLE 22P 120MM	
	4355719600	FLEXIBLE FLAT CABLE 22P 350MM	
	4355810803	GND TERMINAL ASS'Y (REF-2300)	
	4355716214	CON ASS'Y 1P 300MM #14 1015	

REF	ITEM NO	DEFINE	VALUE
	4355716314	CON ASS'Y 1P 300MM #14 1015	
	4355716415	CON ASS'Y 1P 330MM #14 1015	
	7308997510	DC FAN(3110KL-05W-B70-F04)	
	4625996611	SW POWER(C1350AT) ARCOELECTRIC	
	5568223333	CIRCUIT BREAKER W28-XQ1A-5A	AC220V/230V/240V
	5568224533	CIRCUIT BREAKER W28-XQ1A-10A	AC100V/120V
	2828056800	TRANS POWER L-800(100V)	
	2828056810	TRANS POWER L-800(120V)	
	2828056820	TRANS POWER L-800(220V)	
	2828056830	TRANS POWER L-800(230V)	
	2828056840	TRANS POWER L-800(240V)	

## L-1400

REF	ITEM NO	DEFINE	VALUE
<b>AMP(4005179500)</b>			
BD400	2058100500	DIODE BRIDGE GBPC-W 2504	GBPC2504
BD402	2058100500	DIODE BRIDGE GBPC-W 2504	GBPC2504
BD404	S22201500009	DIODE BRIDGE DBS105G	DBS105G
C100	S35101815331	CAP CE C 180PF 50V 0805(2012)	180P
C101	3409847021-T	CAP AF NP 47UF 10V	47/10 NP
C102	S35101815331	CAP CE C 180PF 50V 0805(2012)	180P
C103	S35101044344	CAP CE0.1UF 50V J(3216)	0.1/50(3216)
C104	S35101044344	CAP CE0.1UF 50V J(3216)	0.1/50(3216)
C105	3409210141-T	CAP AF RSG 100UF 25V 6 P	100/25
C106	S35101044344	CAP CE0.1UF 50V J(3216)	0.1/50(3216)
C107	3609224122-T	CAP MA 0.22UF 100V J MINI	0.22/100(M)
C108	3609154122-T	CAP MA 0.15UF 100V MINI	0.15/100(M)
C109	3609154122-T	CAP MA 0.15UF 100V MINI	0.15/100(M)
C110	S35105604331	CAP CE C 56PF 50V J 0805(2012)	56P
C111	3409222171-T	CAP AF RSG 220UF 50V SG 10 P	220/50
C112	S35105604331	CAP CE C 56PF 50V J 0805(2012)	56P
C113	3409222171-T	CAP AF RSG 220UF 50V SG 10 P	220/50
C114	3609223120-T	CAP MA 0.022UF 100V J	0.022/100(M)
C115	S35102224344	CAP CE2200PF 50V J(3216)	2200PF(3216)
C116	3609332120-T	CAP MA 0.0033UF 100V	0.0033/100(M)
C117	3609332120-T	CAP MA 0.0033UF 100V	0.0033/100(M)
C118	3609223120-T	CAP MA 0.022UF 100V J	0.022/100(M)
C119	3409233295	CAP LP332Z1000400 3300UF 100V	3300/100
C120	3409233295	CAP LP332Z1000400 3300UF 100V	3300/100
C121	3409233295	CAP LP332Z1000400 3300UF 100V	3300/100
C122	3409233295	CAP LP332Z1000400 3300UF 100V	3300/100
C123	3609683153-T	CAP TL 0.068UF 250V(SAMWHA)	0.068/250(M)
C125	3409247044-T	CAP RG 47UF 25V	47/25
C126	3609102120-T	CAP MA 0.001UF 100V	0.001/100
C200	S35101815331	CAP CE C 180PF 50V 0805(2012)	180P
C201	3409847021-T	CAP AF NP 47UF 10V	47/10 NP
C202	S35101815331	CAP CE C 180PF 50V 0805(2012)	180P
C205	3409210141-T	CAP AF RSG 100UF 25V 6 P	100/25
C206	S35101044344	CAP CE0.1UF 50V J(3216)	0.1/50(3216)
C207	3609224122-T	CAP MA 0.22UF 100V J MINI	0.22/100(M)
C208	3609154122-T	CAP MA 0.15UF 100V MINI	0.15/100(M)
C209	3609154122-T	CAP MA 0.15UF 100V MINI	0.15/100(M)
C210	S35105604331	CAP CE C 56PF 50V J 0805(2012)	56P
C211	3409222171-T	CAP AF RSG 220UF 50V SG 10 P	220/50
C212	S35105604331	CAP CE C 56PF 50V J 0805(2012)	56P
C213	3409222171-T	CAP AF RSG 220UF 50V SG 10 P	220/50
C214	3609223120-T	CAP MA 0.022UF 100V J	0.022/100(M)
C215	S35102224344	CAP CE2200PF 50V J(3216)	2200PF(3216)
C216	3609332120-T	CAP MA 0.0033UF 100V	0.0033/100(M)
C217	3609332120-T	CAP MA 0.0033UF 100V	0.0033/100(M)
C218	3609223120-T	CAP MA 0.022UF 100V J	0.022/100(M)
C219	3409233295	CAP LP332Z1000400 3300UF 100V	3300/100
C220	3409233295	CAP LP332Z1000400 3300UF 100V	3300/100
C221	3409233295	CAP LP332Z1000400 3300UF 100V	3300/100
C222	3409233295	CAP LP332Z1000400 3300UF 100V	3300/100
C223	3609683153-T	CAP TL 0.068UF 250V(SAMWHA)	0.068/250(M)
C225	3409247044-T	CAP RG 47UF 25V	47/25
C226	3609102120-T	CAP MA 0.001UF 100V	0.001/100
C400	3609224153	CAP TL 0.22UF 250V J(10MM)	0.22/250

REF	ITEM_NO	DEFINE	VALUE
C401	3609224153	CAP TL 0.22UF 250V J(10MM)	0.22/250
C405	3409247801	CAP AF SG 4.7UF 250V	4.7/250
C406	3409247071-T	CAP AF RSG 47UF 50V 6 P	47/50
C407	S35101044344	CAP CE0.1UF 50V J(3216)	0.1/50(3216)
C408	S35101014331	CAP CE C 100PF 50V J 0805(2012	100P
C409	3408210261	CAP RSG 1000UF 35V SNAP 16 P	1000/35
C411	3408210261	CAP RSG 1000UF 35V SNAP 16 P	1000/35
D100	S22400505002	DIODE KDS135S HIGH VOLT(KEC)	KDS135S
D101	S22400505002	DIODE KDS135S HIGH VOLT(KEC)	KDS135S
D102	S22400505002	DIODE KDS135S HIGH VOLT(KEC)	KDS135S
D103	S22400505002	DIODE KDS135S HIGH VOLT(KEC)	KDS135S
D104	2058400996	DIODE IN4934 TAIWAN	1N 4934
D105	2058400996	DIODE IN4934 TAIWAN	1N 4934
D106	S22400505002	DIODE KDS135S HIGH VOLT(KEC)	KDS135S
D107	S22400505002	DIODE KDS135S HIGH VOLT(KEC)	KDS135S
D108	S22400505002	DIODE KDS135S HIGH VOLT(KEC)	KDS135S
D109	S22400505002	DIODE KDS135S HIGH VOLT(KEC)	KDS135S
D110	2058100110	DIODE RL207 PYUNG CHANG	PS 2010
D111	2058100110	DIODE RL207 PYUNG CHANG	PS 2010
D112	S22400505002	DIODE KDS135S HIGH VOLT(KEC)	KDS135S
D113	S22400505002	DIODE KDS135S HIGH VOLT(KEC)	KDS135S
D200	S22400505002	DIODE KDS135S HIGH VOLT(KEC)	KDS135S
D201	S22400505002	DIODE KDS135S HIGH VOLT(KEC)	KDS135S
D202	S22400505002	DIODE KDS135S HIGH VOLT(KEC)	KDS135S
D203	S22400505002	DIODE KDS135S HIGH VOLT(KEC)	KDS135S
D204	2058400996	DIODE IN4934 TAIWAN	1N 4934
D205	2058400996	DIODE IN4934 TAIWAN	1N 4934
D206	S22400505002	DIODE KDS135S HIGH VOLT(KEC)	KDS135S
D207	S22400505002	DIODE KDS135S HIGH VOLT(KEC)	KDS135S
D208	S22400505002	DIODE KDS135S HIGH VOLT(KEC)	KDS135S
D209	S22400505002	DIODE KDS135S HIGH VOLT(KEC)	KDS135S
D210	2058100110	DIODE RL207 PYUNG CHANG	PS 2010
D211	2058100110	DIODE RL207 PYUNG CHANG	PS 2010
D212	S22400505002	DIODE KDS135S HIGH VOLT(KEC)	KDS135S
D213	S22400505002	DIODE KDS135S HIGH VOLT(KEC)	KDS135S
D400	2058100996	DIODE RECTIFIER LT1N4006(4007)	1N 4006
D401	S22400505002	DIODE KDS135S HIGH VOLT(KEC)	KDS135S
D402	S22400505002	DIODE KDS135S HIGH VOLT(KEC)	KDS135S
D403	S22400505002	DIODE KDS135S HIGH VOLT(KEC)	KDS135S
D404	S22400505002	DIODE KDS135S HIGH VOLT(KEC)	KDS135S
D405	S22400505002	DIODE KDS135S HIGH VOLT(KEC)	KDS135S
D406	S22400505002	DIODE KDS135S HIGH VOLT(KEC)	KDS135S
D407	S22400505002	DIODE KDS135S HIGH VOLT(KEC)	KDS135S
D408	S22400505002	DIODE KDS135S HIGH VOLT(KEC)	KDS135S
D409	2058100996	DIODE RECTIFIER LT1N4006(4007)	1N 4006
D410	2058100996	DIODE RECTIFIER LT1N4006(4007)	1N 4006
D411	2058100996	DIODE RECTIFIER LT1N4006(4007)	1N 4006
D412	2058100996	DIODE RECTIFIER LT1N4006(4007)	1N 4006
D413	2058100996	DIODE RECTIFIER LT1N4006(4007)	1N 4006
D414	2058100996	DIODE RECTIFIER LT1N4006(4007)	1N 4006
F400	5508423933	FUSE 65T 31.8MM 12A/250V U/C	12AH/250V
F401	5508423933	FUSE 65T 31.8MM 12A/250V U/C	12AH/250V
F403	5508412234	FUSE 218T 20MM 1A/250V UCSKJ	T1AL/250V
IC100	2118013377	IC NE5532N PHILIPS	NJM 5532N
IC101	S21101167701	IC NE5517D PHILIPS	NE5517D
IC200	2118013377	IC NE5532N PHILIPS	NJM 5532N
REF	ITEM_NO	DEFINE	VALUE

IC400	2118001403	IC 4N29(THROUGH HOLE)	4N29
L100	2648099800	COIL INDUTOR 2.2UF	2.2uH
L200	2648099800	COIL INDUTOR 2.2UF	2.2uH
PO400	2438009800	POSISTOR P43T4D100BW140(H1)	H1
PO401	2438009800	POSISTOR P43T4D100BW140(H1)	H1
Q101	S20510405004	2N3906S-RTK	3906
Q102	2028407995	TR NPN MJE15032(MOTOROLA)	MJE15032
Q103	2028107118	TR PNP 2SA1943 TOSHIBA	2SA 1943
Q104	2028107118	TR PNP 2SA1943 TOSHIBA	2SA 1943
Q105	2028107118	TR PNP 2SA1943 TOSHIBA	2SA 1943
Q106	2028107995	TR PNP MJE15033 (MOTOROLA)	MJE15033
Q107	2028407122	TR NPN 2SC5200 TOSHIBA	2SC 5200
Q108	2028407122	TR NPN 2SC5200 TOSHIBA	2SC 5200
Q109	2028407122	TR NPN 2SC5200 TOSHIBA	2SC 5200
Q110	2028107118	TR PNP 2SA1943 TOSHIBA	2SA 1943
Q111	2028407122	TR NPN 2SC5200 TOSHIBA	2SC 5200
Q201	S20510405004	2N3906S-RTK	3906
Q202	2028407995	TR NPN MJE15032(MOTOROLA)	MJE15032
Q203	2028107118	TR PNP 2SA1943 TOSHIBA	2SA 1943
Q204	2028107118	TR PNP 2SA1943 TOSHIBA	2SA 1943
Q205	2028107118	TR PNP 2SA1943 TOSHIBA	2SA 1943
Q206	2028107995	TR PNP MJE15033 (MOTOROLA)	MJE15033
Q207	2028407122	TR NPN 2SC5200 TOSHIBA	2SC 5200
Q208	2028407122	TR NPN 2SC5200 TOSHIBA	2SC 5200
Q209	2028407122	TR NPN 2SC5200 TOSHIBA	2SC 5200
Q210	2028107118	TR PNP 2SA1943 TOSHIBA	2SA 1943
Q211	2028407122	TR NPN 2SC5200 TOSHIBA	2SC 5200
Q400	S20160402009	TR NPN KST42MTF FSC	KST42
Q401	S20560448002	TR NPN 2N3904 SOT23 HSMC	3904
Q402	S20560448002	TR NPN 2N3904 SOT23 HSMC	3904
Q403	S20510405004	2N3906S-RTK	3906
Q404	S20510405004	2N3906S-RTK	3906
Q405	S20560448002	TR NPN 2N3904 SOT23 HSMC	3904
Q406	S20560448002	TR NPN 2N3904 SOT23 HSMC	3904
Q407	S20560448002	TR NPN 2N3904 SOT23 HSMC	3904
Q408	S20510405004	2N3906S-RTK	3906
Q409	S20510405004	2N3906S-RTK	3906
Q410	2028400882	TR NPN TIP31TU FSC	TIP31C
R100	S30121005230	RES TF 10K F 1/10W 2012	10K 1%
R101	S30121005230	RES TF 10K F 1/10W 2012	10K 1%
R102	S30121005230	RES TF 10K F 1/10W 2012	10K 1%
R103	S30101027231	RES TF 1K 1/10W 2012	1K
R104	S30121005230	RES TF 10K F 1/10W 2012	10K 1%
R105	S30101037231	RES TF 10K 1/10W 2012	10K
R106	S30101547340	RES TF 150K J 3216	150K(3216)
R107	S30103937231	RES TF 39K 1/10W 2012	39K
R108	S30101017231	RES TF 100 1/10W 2012	100
R109	S30107527230	RES TF 7.5K J 1/10W 2012	7.5K
R110	S30101017231	RES TF 100 1/10W 2012	100
R111	S30102717231	RES TF 270 1/10W 2012	270
R112	S30114995340	RES TF 499K F 3216	499K(3216)
R113	S30101227231	RES TF 1.2K 1/10W 2012	1.2K
R114	S30102037231	RES TF 20K 1/10W 2012	20K
R115	S30102037231	RES TF 20K 1/10W 2012	20K
R116	S30108217340	RES TF 820 J 3216	820(3216)
R117	S30101547340	RES TF 150K J 3216	150K(3216)
REF	ITEM_NO	DEFINE	VALUE
R118	S30102717231	RES TF 270 1/10W 2012	270



R119	3032133455-T	RES MO 13.3K 1W FR	13.3K 1W_1%
R120	S30101547340	RES TF 150K J 3216	150K(3216)
R121	S30101017231	RES TF 100 1/10W 2012	100
R122	S30108217340	RES TF 820 J 3216	820(3216)
R123	S30108217340	RES TF 820 J 3216	820(3216)
R124	3059222875	RES CE 2.2K 7W JR	2.2K 7WCE
R125	3059222875	RES CE 2.2K 7W JR	2.2K 7WCE
R126	3079220475-T	RES NFR 22 1W JR	FR 22 1W
R127	3059228674	RES CE RGC3 0.22 3W(NOBLE)	0.22 3WCE
R128	3059228674	RES CE RGC3 0.22 3W(NOBLE)	0.22 3WCE
R129	3059228674	RES CE RGC3 0.22 3W(NOBLE)	0.22 3WCE
R130	3039689475-T	RES MO 6.8 1W JR	6.8 1W
R131	3039102674	RES MO 1K 3W JP	1K 3W
R132	3039102674	RES MO 1K 3W JP	1K 3W
R133	3039569575-T	RES MO 5.6 2W JR	5.6 2W
R134	3039120674	RES MO 12 3W JP	12 3W
R135	3039120674	RES MO 12 3W JP	12 3W
R136	3079220475-T	RES NFR 22 1W JR	FR 22 1W
R137	3059228674	RES CE RGC3 0.22 3W(NOBLE)	0.22 3WCE
R138	3059228674	RES CE RGC3 0.22 3W(NOBLE)	0.22 3WCE
R139	3059228674	RES CE RGC3 0.22 3W(NOBLE)	0.22 3WCE
R141	3059228674	RES CE RGC3 0.22 3W(NOBLE)	0.22 3WCE
R142	3059228674	RES CE RGC3 0.22 3W(NOBLE)	0.22 3WCE
R143	S30104707231	RES TF 47 1/10W 2012	47
R144	3039689475-T	RES MO 6.8 1W JR	6.8 1W
R145	S30102717231	RES TF 270 1/10W 2012	270
R200	S30121005230	RES TF 10K F 1/10W 2012	10K 1%
R201	S30121005230	RES TF 10K F 1/10W 2012	10K 1%
R202	S30121005230	RES TF 10K F 1/10W 2012	10K 1%
R203	S30101027231	RES TF 1K 1/10W 2012	1K
R204	S30121005230	RES TF 10K F 1/10W 2012	10K 1%
R205	S30101037231	RES TF 10K 1/10W 2012	10K
R206	S30101547340	RES TF 150K J 3216	150K(3216)
R207	S30103937231	RES TF 39K 1/10W 2012	39K
R208	S30101017231	RES TF 100 1/10W 2012	100
R209	S30107527230	RES TF 7.5K J 1/10W 2012	7.5K
R210	S30101017231	RES TF 100 1/10W 2012	100
R211	S30102717231	RES TF 270 1/10W 2012	270
R212	S30114995340	RES TF 499K F 3216	499K(3216)
R213	S30101227231	RES TF 1.2K 1/10W 2012	1.2K
R214	S30102037231	RES TF 20K 1/10W 2012	20K
R215	S30102037231	RES TF 20K 1/10W 2012	20K
R216	S30108217340	RES TF 820 J 3216	820(3216)
R217	S30101547340	RES TF 150K J 3216	150K(3216)
R218	S30102717231	RES TF 270 1/10W 2012	270
R219	3032133455-T	RES MO 13.3K 1W FR	13.3K 1W_1%
R220	S30101547340	RES TF 150K J 3216	150K(3216)
R221	S30101017231	RES TF 100 1/10W 2012	100
R222	S30108217340	RES TF 820 J 3216	820(3216)
R223	S30108217340	RES TF 820 J 3216	820(3216)
R224	3059222875	RES CE 2.2K 7W JR	2.2K 7WCE
R225	3059222875	RES CE 2.2K 7W JR	2.2K 7WCE
R226	3079220475-T	RES NFR 22 1W JR	FR 22 1W
R227	3059228674	RES CE RGC3 0.22 3W(NOBLE)	0.22 3WCE
R228	3059228674	RES CE RGC3 0.22 3W(NOBLE)	0.22 3WCE

REF	ITEM_NO	DEFINE	VALUE
R229	3059228674	RES CE RGC3 0.22 3W(NOBLE)	0.22 3WCE
R230	3039689475-T	RES MO 6.8 1W JR	6.8 1W

R231	3039102674	RES MO 1K 3W JP	1K 3W
R232	3039102674	RES MO 1K 3W JP	1K 3W
R233	3039569575-T	RES MO 5.6 2W JR	5.6 2W
R234	3039120674	RES MO 12 3W JP	12 3W
R235	3039120674	RES MO 12 3W JP	12 3W
R236	3079220475-T	RES NFR 22 1W JR	FR 22 1W
R237	3059228674	RES CE RGC3 0.22 3W(NOBLE)	0.22 3WCE
R238	3059228674	RES CE RGC3 0.22 3W(NOBLE)	0.22 3WCE
R239	3059228674	RES CE RGC3 0.22 3W(NOBLE)	0.22 3WCE
R241	3059228674	RES CE RGC3 0.22 3W(NOBLE)	0.22 3WCE
R242	3059228674	RES CE RGC3 0.22 3W(NOBLE)	0.22 3WCE
R243	S30104707231	RES TF 47 1/10W 2012	47
R244	3039689475-T	RES MO 6.8 1W JR	6.8 1W
R245	S30102717231	RES TF 270 1/10W 2012	270
R300	S30103337340	RES TF 33K J 3216	33K(3216)
R301	S30103337340	RES TF 33K J 3216	33K(3216)
R302	S30103327231	RES TF 3.3K 1/10W 2012	3.3K
R303	S30101027231	RES TF 1K 1/10W 2012	1K
R304	3032113455-T	RES MO 11.3K 1W FR	11.3K 1% 1W
R305	S30101537231	RES TF 15K 1/10W 2012	15K
R306	S30101537231	RES TF 15K 1/10W 2012	15K
R307	S30101537231	RES TF 15K 1/10W 2012	15K
R308	S30101537231	RES TF 15K 1/10W 2012	15K
R309	3039689475-T	RES MO 6.8 1W JR	6.8 1W
R310	S30101037231	RES TF 10K 1/10W 2012	10K
R311	S30101037231	RES TF 10K 1/10W 2012	10K
R402	3039683674	RES MO 68K 3W J	68K 3W
R403	S30101037340	RES TF 1M J 3216	1M(3216)
R404	3039683674	RES MO 68K 3W J	68K 3W
R405	S30101037340	RES TF 1M J 3216	1M(3216)
R406	S30102247340	RES TF 220K J 3216	220K(3216)
R407	S30102247231	RES TF 220K 1/10W 2012	220K
R408	S30102027231	RES TF 2K 1/10W 2012	2K
R409	S30101547340	RES TF 150K J 3216	150K(3216)
R410	S30109147340	RES TF 910K J 3216	910K(3216)
R411	S30103347340	RES TF 330K J 3216	330K(3216)
R412	S30102437231	RES TF 24K 1/10W 2012	24K
R413	3039683674	RES MO 68K 3W J	68K 3W
R414	3039683674	RES MO 68K 3W J	68K 3W
R415	S30106827340	RES TF 6.8K J 3216	6.8K(3216)
R416	S30106827340	RES TF 6.8K J 3216	6.8K(3216)
R417	S30104747340	RES TF 470K J 3216	470K(3216)
R418	S30102027231	RES TF 2K 1/10W 2012	2K
R419	3039121575-T	RES MO 120 2W JR	120 2W
R420	S30101037231	RES TF 10K 1/10W 2012	10K
R421	S30101037231	RES TF 10K 1/10W 2012	10K
R422	S30101037231	RES TF 10K 1/10W 2012	10K
R423	S30101037231	RES TF 10K 1/10W 2012	10K
R424	S30104707231	RES TF 47 1/10W 2012	47
R425	S30101017231	RES TF 100 1/10W 2012	100
SP100	4438189710	JACK SPEAKON NL4MD-H(NEUTRIK)	SPEAKON
SP101	4438189710	JACK SPEAKON NL4MD-H(NEUTRIK)	SPEAKON
SP102	4438189810	BINDING POST CL1597XA(CLIFF)	CL1597XA
SW100	4618499210	SW SLIDE JSS4319A(JEIL)	JSS4319
REF	ITEM NO	DEFINE	VALUE
TH100	2438209016	THERMISTOR NTC 5D-600 JPC	60 OHM NTC
TH200	2438209016	THERMISTOR NTC 5D-600 JPC	60 OHM NTC
TH400	2438209760	POWER THERMISTOR NTC-1D-30	1 OHM 30A

TH401	2423000999	SW POLY 50VX110 JX3K-T	1.1A 0.15 OHM
VR100	3248310120-T	RES RH0638C100101	100
VR101	3248322220-T	RES SEMI RH0638C100222	2.2K
VR102	3248322220-T	RES SEMI RH0638C100222	2.2K
VR200	3248310120-T	RES RH0638C100101	100
VR201	3248322220-T	RES SEMI RH0638C100222	2.2K
VR202	3248322220-T	RES SEMI RH0638C100222	2.2K
ZD100	2058510150	DIODE ZENER UZP-15BM(1N4744A)	UZP 15BM_1W
ZD101	2058510150	DIODE ZENER UZP-15BM(1N4744A)	UZP 15BM_1W
ZD102	2058502056	DIODE ZENER UZ-5.6BM(1N5232B)	UZ 5.6BM
ZD103	2058502056	DIODE ZENER UZ-5.6BM(1N5232B)	UZ 5.6BM
ZD200	2058510150	DIODE ZENER UZP-15BM(1N4744A)	UZP 15BM_1W
ZD201	2058510150	DIODE ZENER UZP-15BM(1N4744A)	UZP 15BM_1W
ZD202	2058502056	DIODE ZENER UZ-5.6BM(1N5232B)	UZ 5.6BM
ZD203	2058502056	DIODE ZENER UZ-5.6BM(1N5232B)	UZ 5.6BM
ZD400	2058510150	DIODE ZENER UZP-15BM(1N4744A)	UZP 15BM_1W
ZD401	2058510150	DIODE ZENER UZP-15BM(1N4744A)	UZP 15BM_1W
CN101	4428528122	CON WAFER 22FE-BT-VK-N	
CN102	4428528122	CON WAFER 22FE-BT-VK-N	
CN103	4428595003	LW5267/LWB0640/2.5MM-03P	
CN401	4355923804	CONNECTOR WAFER 04P (J.ST)	
CN402	4355923804	CONNECTOR WAFER 04P (J.ST)	
CN403	4428595005	LW5267/LWB0640/2.5MM-05P	
	4458999110	FUSE CLIP 5*20	
	4225000810-T	TEST POINT (NZ0352-001Z)	
	7505297320	TR HEAT SINK	
	4465998210	TERMINAL(250)PCB TAB	
	4255000410	FUSE CLIP 6*31.8	
	4355719203	CON ASS'Y 1P 100MM BLK	
	4355716126	CON ASS'Y 2P BLK/WHT 700MM#14	

**INPUT(4005179520)**

C601	S35105604331	CAP CE C 56PF 50V J 0805(2012)	56P
C602	S35105604331	CAP CE C 56PF 50V J 0805(2012)	56P
C603	3409247044-T	CAP RG 47UF 25V	47/25
C604	S35105604331	CAP CE C 56PF 50V J 0805(2012)	56P
C605	S35105604331	CAP CE C 56PF 50V J 0805(2012)	56P
C606	3409247044-T	CAP RG 47UF 25V	47/25
C607	35094711130-T	CAP CE SL 470PF 50V J	470P
C608	35094711130-T	CAP CE SL 470PF 50V J	470P
C609	35094711130-T	CAP CE SL 470PF 50V J	470P
C610	35094711130-T	CAP CE SL 470PF 50V J	470P
D601	S22400505002	DIODE KDS135S HIGH VOLT(KEC)	KDS135S
D602	S22400505002	DIODE KDS135S HIGH VOLT(KEC)	KDS135S
D603	S22400505002	DIODE KDS135S HIGH VOLT(KEC)	KDS135S
D604	S22400505002	DIODE KDS135S HIGH VOLT(KEC)	KDS135S
IC601	S21101080002	IC NJM2068M/TE1~4	2068
IC602	S21101080002	IC NJM2068M/TE1~4	2068
JK601	4438090310	JACK COMBINATION CXLF-06L	COMBO
JK602	4408194310	XLR JACK (M) E503A0150N	XLR
JK603	4438090310	JACK COMBINATION CXLF-06L	COMBO
JK604	4408194310	XLR JACK (M) E503A0150N	XLR
R601	S30121005230	RES TF 10K F 1/10W 2012	10K 1%
R602	S30121005230	RES TF 10K F 1/10W 2012	10K 1%

REF	ITEM_NO	DEFINE	VALUE
R603	S30121005230	RES TF 10K F 1/10W 2012	10K 1%
R604	S30121005230	RES TF 10K F 1/10W 2012	10K 1%
R605	S30121005230	RES TF 10K F 1/10W 2012	10K 1%
R606	S30121005230	RES TF 10K F 1/10W 2012	10K 1%

R607	S30121005230	RES TF 10K F 1/10W 2012	10K 1%
R608	S30121005230	RES TF 10K F 1/10W 2012	10K 1%
SW600	4618999910	SW SS65010-0203-9H-FN	
SW601	4618999910	SW SS65010-0203-9H-FN	
SW602	4618299110	SW SLIDE JSS2201 S090(JEIL)	JSS2201
SW603	4618299110	SW SLIDE JSS2201 S090(JEIL)	JSS2201
AN101	4428528122	CON WAFER 22FE-BT-VK-N	
	4355719303	CON ASS'Y 1P 100MM BLK	
	6505955520	PCB BKT MX-400	

**VR(4005179510)**

C500	S35104714344	CAP CE470PF 50V J(3216)	470P(3216)
C501	3409210023-T	CAP AF SE 10U/50V 6.4X5 (5MM)	Oct-50
C502	S35104714344	CAP CE470PF 50V J(3216)	470P(3216)
C503	3409210023-T	CAP AF SE 10U/50V 6.4X5 (5MM)	Oct-50
D500	S22400505002	DIODE KDS135S HIGH VOLT(KEC)	KDS135S
D501	S22400505002	DIODE KDS135S HIGH VOLT(KEC)	KDS135S
D502	S22400505002	DIODE KDS135S HIGH VOLT(KEC)	KDS135S
D503	S22400505002	DIODE KDS135S HIGH VOLT(KEC)	KDS135S
D504	S22400505002	DIODE KDS135S HIGH VOLT(KEC)	KDS135S
LD500	2300032105	LED LTL-16KG-021A LITEON	GRN
LD501	2300032105	LED LTL-16KG-021A LITEON	GRN
LD502	2300032105	LED LTL-16KG-021A LITEON	GRN
LD503	2300032105	LED LTL-16KG-021A LITEON	GRN
LD504	2300030105	LED LTL-16KHR-021A LITEON	RED
LD505	2300030105	LED LTL-16KHR-021A LITEON	RED
LD506	2300030105	LED LTL-16KHR-021A LITEON	RED
LD507	2300031105	LED LTL-16KY-021A LITEON	YEL
LD508	2300031105	LED LTL-16KY-021A LITEON	YEL
LD509	2300031105	LED LTL-16KY-021A LITEON	YEL
LD510	2300030105	LED LTL-16KHR-021A LITEON	RED
LD511	2300037000	LED OLB530IT-60(BLUE)	BLUE
Q501	S20510405004	2N3906S-RTK	3906
Q502	S20510405004	2N3906S-RTK	3906
Q503	S20510405004	2N3906S-RTK	3906
Q504	S20560448002	TR NPN 2N3904 SOT23 HSMC	3904
Q506	S20510405004	2N3906S-RTK	3906
Q507	S20510405004	2N3906S-RTK	3906
Q508	S20510405004	2N3906S-RTK	3906
Q509	S20560448002	TR NPN 2N3904 SOT23 HSMC	3904
Q510	S20560448002	TR NPN 2N3904 SOT23 HSMC	3904
R500	S30104727231	RES TF 4.7K 1/10W 2012	4.7K
R501	S30104727231	RES TF 4.7K 1/10W 2012	4.7K
R502	S30101027340	RES TF 1K J 3216	1K(3216)
R503	S30104727231	RES TF 4.7K 1/10W 2012	4.7K
R504	S30104727231	RES TF 4.7K 1/10W 2012	4.7K
R505	S30101027340	RES TF 1K J 3216	1K(3216)
R506	S30103927231	RES TF 3.9K 1/10W 2012	3.9K
R507	S30103927231	RES TF 3.9K 1/10W 2012	3.9K
R508	S30103927231	RES TF 3.9K 1/10W 2012	3.9K
R509	S30103927231	RES TF 3.9K 1/10W 2012	3.9K
R510	S30103927231	RES TF 3.9K 1/10W 2012	3.9K
R511	S30103927231	RES TF 3.9K 1/10W 2012	3.9K

REF	ITEM NO	DEFINE	VALUE
-----	---------	--------	-------

R516	S30104737231	RES TF 47K 1/10W 2012	47K
R517	S30104737231	RES TF 47K 1/10W 2012	47K
R518	S30101527231	RES TF 1.5K 1/10W 2012	1.5K
VR501	3228067100	VR RK09S11F0202-2.5KB	2.5KB
VR502	3228067100	VR RK09S11F0202-2.5KB	2.5KB

ZD501	2058502024	DIODE ZENER 1N5221B 2.4BM	UZ 2.4BM
ZD502	2058502024	DIODE ZENER 1N5221B 2.4BM	UZ 2.4BM
AN100	4428528122	CON WAFER 22FE-BT-VK-N	
<b>ASS'Y</b>			
	4355719500	FLEXIBLE FLAT CABLE 22P 120MM	
	4355719600	FLEXIBLE FLAT CABLE 22P 350MM	
	4355810803	GND TERMINAL ASS'Y (REF-2300)	
	4355716214	CON ASS'Y 1P 300MM #14 1015	
	4355716314	CON ASS'Y 1P 300MM #14 1015	
	4355716415	CON ASS'Y 1P 330MM #14 1015	
	7308997510	DC FAN(3110KL-05W-B70-F04)	
	4625996611	SW POWER(C1350AT) ARCOLECTRIC	
	5568223633	CIRCUIT BREAKER W28-XQ1A-7A	AC220V/230V/240V
	5568224133	CIRCUIT BREAKER W28-XQ1A-14A	AC100V/120V
	2828056700	TRANS POWER L-1400(100V)	
	2828056710	TRANS POWER L-1400(120V)	
	2828056720	TRANS POWER L-1400(220V)	
	2828056730	TRANS POWER L-1400(230V)	
	2828056740	TRANS POWER L-1400(240V)	

## L-1800

REF	ITEM NO	DEFINE	VALUE
<b>AMP(4005179200)</b>			
BD400	2058100500	DIODE BRIDGE GBPC-W 2504	GBPC2504
BD401	2058100500	DIODE BRIDGE GBPC-W 2504	GBPC2504
BD402	2058100500	DIODE BRIDGE GBPC-W 2504	GBPC2504
BD403	2058100500	DIODE BRIDGE GBPC-W 2504	GBPC2504
BD404	S22201500009	DIODE BRIDGE DBS105G	DBS105G
C100	S35101815331	CAP CE C 180PF 50V 0805(2012)	180P
C101	3409810131-T	CAP AF NP 100UF 16V	100/16 NP
C102	S35101815331	CAP CE C 180PF 50V 0805(2012)	180P
C103	S35101044344	CAP CE0.1UF 50V J(3216)	0.1/50(3216)
C104	S35101044344	CAP CE0.1UF 50V J(3216)	0.1/50(3216)
C105	3409210141-T	CAP AF RSG 100UF 25V 6 P	100/25
C106	S35101044344	CAP CE0.1UF 50V J(3216)	0.1/50(3216)
C107	3609152153-T	CAP TX 0.0015UF 200V(SAMWHA)	0.0015/200(M)
C108	S35102704544	CAP CE27PF 200V J(3216)	27P 200V
C109	3609224122-T	CAP MA 0.22UF 100V J MINI	0.22/100(M)
C110	3609154122-T	CAP MA 0.15UF 100V MINI	0.15/100(M)
C111	3609154122-T	CAP MA 0.15UF 100V MINI	0.15/100(M)
C112	3409810131-T	CAP AF NP 100UF 16V	100/16 NP
C113	3409222171-T	CAP AF RSG 220UF 50V SG 10 P	220/50
C114	S35105604331	CAP CE C 56PF 50V J 0805(2012)	56P
C115	3409222171-T	CAP AF RSG 220UF 50V SG 10 P	220/50
C116	3609223120-T	CAP MA 0.022UF 100V J	0.022/100(M)
C117	S35102224344	CAP CE2200PF 50V J(3216)	2200PF(3216)
C118	3609332120-T	CAP MA 0.0033UF 100V	0.0033/100(M)
C119	3609332120-T	CAP MA 0.0033UF 100V	0.0033/100(M)
C120	3609223120-T	CAP MA 0.022UF 100V J	0.022/100(M)
C121	3639104255-T	CAP TL 104K 250V K SMA-4000	0.1/250(M)
C122	3409212385	CAP LP123Z063P450 12000UF 63V	12000/63
C123	3409212385	CAP LP123Z063P450 12000UF 63V	12000/63
C124	3409212385	CAP LP123Z063P450 12000UF 63V	12000/63
C125	3409212385	CAP LP123Z063P450 12000UF 63V	12000/63
C126	3639104255-T	CAP TL 104K 250V K SMA-4000	0.1/250(M)
C127	3409822071-T	CAP AF NP 22UF 50V 8 P	22/50 NP
C128	3609683153-T	CAP TL 0.068UF 250V(SAMWHA)	0.068/250(M)
C129	3609683153-T	CAP TL 0.068UF 250V(SAMWHA)	0.068/250(M)
C130	3609332120-T	CAP MA 0.0033UF 100V	0.0033/100(M)
C131	S35104704331	CAP CE C 47PF 50V J 0805(2012)	47P
C132	3409210071-T	CAP AF RSG 10UF 50V 5 P	Oct-50
C133	3409210141-T	CAP AF RSG 100UF 25V 6 P	100/25
C134	3609332120-T	CAP MA 0.0033UF 100V	0.0033/100(M)
C135	S35104704331	CAP CE C 47PF 50V J 0805(2012)	47P
C136	S35101044344	CAP CE0.1UF 50V J(3216)	0.1/50(3216)
C137	S35104704331	CAP CE C 47PF 50V J 0805(2012)	47P
C138	3409210141-T	CAP AF RSG 100UF 25V 6 P	100/25
C139	3409247044-T	CAP RG 47UF 25V	47/25
C200	S35101815331	CAP CE C 180PF 50V 0805(2012)	180P
C201	3409810131-T	CAP AF NP 100UF 16V	100/16 NP
C202	S35101815331	CAP CE C 180PF 50V 0805(2012)	180P
C205	3409210141-T	CAP AF RSG 100UF 25V 6 P	100/25
C206	S35101044344	CAP CE0.1UF 50V J(3216)	0.1/50(3216)
C207	3609152153-T	CAP TX 0.0015UF 200V(SAMWHA)	0.0015/200(M)
C208	S35102704544	CAP CE27PF 200V J(3216)	27P 200V
C209	3609224122-T	CAP MA 0.22UF 100V J MINI	0.22/100(M)
C210	3609154122-T	CAP MA 0.15UF 100V MINI	0.15/100(M)
C211	3609154122-T	CAP MA 0.15UF 100V MINI	0.15/100(M)

REF	ITEM_NO	DEFINE	VALUE
C212	3409810131-T	CAP AF NP 100UF 16V	100/16 NP
C213	3409222171-T	CAP AF RSG 220UF 50V SG 10 P	220/50
C214	S35105604331	CAP CE C 56PF 50V J 0805(2012)	56P
C215	3409222171-T	CAP AF RSG 220UF 50V SG 10 P	220/50
C216	3609223120-T	CAP MA 0.022UF 100V J	0.022/100(M)
C217	S35102224344	CAP CE2200PF 50V J(3216)	2200PF(3216)
C218	3609332120-T	CAP MA 0.0033UF 100V	0.0033/100(M)
C219	3609332120-T	CAP MA 0.0033UF 100V	0.0033/100(M)
C220	3609223120-T	CAP MA 0.022UF 100V J	0.022/100(M)
C221	3639104255-T	CAP TL 104K 250V K SMA-4000	0.1/250(M)
C222	3409212385	CAP LP123Z063P450 12000UF 63V	12000/63
C223	3409212385	CAP LP123Z063P450 12000UF 63V	12000/63
C224	3409212385	CAP LP123Z063P450 12000UF 63V	12000/63
C225	3409212385	CAP LP123Z063P450 12000UF 63V	12000/63
C226	3639104255-T	CAP TL 104K 250V K SMA-4000	0.1/250(M)
C227	3409822071-T	CAP AF NP 22UF 50V 8 P	22/50 NP
C228	3609683153-T	CAP TL 0.068UF 250V(SAMWHA)	0.068/250(M)
C229	3609683153-T	CAP TL 0.068UF 250V(SAMWHA)	0.068/250(M)
C230	3609332120-T	CAP MA 0.0033UF 100V	0.0033/100(M)
C231	S35104704331	CAP CE C 47PF 50V J 0805(2012)	47P
C232	3409210071-T	CAP AF RSG 10UF 50V 5 P	10/50
C233	3409210141-T	CAP AF RSG 100UF 25V 6 P	100/25
C234	3609332120-T	CAP MA 0.0033UF 100V	0.0033/100(M)
C235	S35104704331	CAP CE C 47PF 50V J 0805(2012)	47P
C236	S35101044344	CAP CE0.1UF 50V J(3216)	0.1/50(3216)
C237	S35104704331	CAP CE C 47PF 50V J 0805(2012)	47P
C238	3409210141-T	CAP AF RSG 100UF 25V 6 P	100/25
C239	3409247044-T	CAP RG 47UF 25V	47/25
C305	S35101014331	CAP CE C 100PF 50V J 0805(2012)	100P
C400	3609224153	CAP TL 0.22UF 250V(SAMWHA)	0.22/250
C401	3609224153	CAP TL 0.22UF 250V(SAMWHA)	0.22/250
C402	3609224153	CAP TL 0.22UF 250V(SAMWHA)	0.22/250
C403	3609224153	CAP TL 0.22UF 250V(SAMWHA)	0.22/250
C404	3609473160	CAP MA 0.047UF 400V J	0.047/400
C405	3409247801	CAP AF SG 4.7UF 250V	4.7/250
C406	3409247071-T	CAP AF RSG 47UF 50V 6 P	47/50
C407	S35101044344	CAP CE0.1UF 50V J(3216)	0.1/50(3216)
C408	S35101014331	CAP CE C 100PF 50V J 0805(2012)	100P
C409	3408210261	CAP RSG 1000UF 35V SNAP 16 P	1000/35
C411	3408210261	CAP RSG 1000UF 35V SNAP 16 P	1000/35
D100	S22400505002	DIODE KDS135S HIGH VOLT(KEC)	KDS135S
D101	S22400505002	DIODE KDS135S HIGH VOLT(KEC)	KDS135S
D102	S22400505002	DIODE KDS135S HIGH VOLT(KEC)	KDS135S
D103	S22400505002	DIODE KDS135S HIGH VOLT(KEC)	KDS135S
D104	2058400996	DIODE IN4934 TAIWAN	1N 4934
D105	2058400996	DIODE IN4934 TAIWAN	1N 4934
D106	S22400505002	DIODE KDS135S HIGH VOLT(KEC)	KDS135S
D107	S22400505002	DIODE KDS135S HIGH VOLT(KEC)	KDS135S
D108	S22400505002	DIODE KDS135S HIGH VOLT(KEC)	KDS135S
D109	S22400505002	DIODE KDS135S HIGH VOLT(KEC)	KDS135S
D110	2058300996	DIODE MUR1520 MOTOROLA	MUR 1520
D111	2058100110	DIODE RL207 PYUNG CHANG	PS 2010
D112	2058100110	DIODE RL207 PYUNG CHANG	PS 2010
D113	S22400505002	DIODE KDS135S HIGH VOLT(KEC)	KDS135S
D114	S22400505002	DIODE KDS135S HIGH VOLT(KEC)	KDS135S
D115	2058300996	DIODE MUR1520 MOTOROLA	MUR 1520
D116	2078055960-T	THYRISTOR 2N5064 PHILIPS	2N5064
REF	ITEM_NO	DEFINE	VALUE
D117	2078055960-T	THYRISTOR 2N5064 PHILIPS	2N5064



D118	S22400505002	DIODE KDS135S HIGH VOLT(KEC)	KDS135S
D119	S22400505002	DIODE KDS135S HIGH VOLT(KEC)	KDS135S
D120	S22400505002	DIODE KDS135S HIGH VOLT(KEC)	KDS135S
D200	S22400505002	DIODE KDS135S HIGH VOLT(KEC)	KDS135S
D201	S22400505002	DIODE KDS135S HIGH VOLT(KEC)	KDS135S
D202	S22400505002	DIODE KDS135S HIGH VOLT(KEC)	KDS135S
D203	S22400505002	DIODE KDS135S HIGH VOLT(KEC)	KDS135S
D204	2058400996	DIODE IN4934 TAIWAN	1N 4934
D205	2058400996	DIODE IN4934 TAIWAN	1N 4934
D206	S22400505002	DIODE KDS135S HIGH VOLT(KEC)	KDS135S
D207	S22400505002	DIODE KDS135S HIGH VOLT(KEC)	KDS135S
D208	S22400505002	DIODE KDS135S HIGH VOLT(KEC)	KDS135S
D209	S22400505002	DIODE KDS135S HIGH VOLT(KEC)	KDS135S
D210	2058300996	DIODE MUR1520 MOTOROLA	MUR 1520
D211	2058100110	DIODE RL207 PYUNG CHANG	PS 2010
D212	2058100110	DIODE RL207 PYUNG CHANG	PS 2010
D213	S22400505002	DIODE KDS135S HIGH VOLT(KEC)	KDS135S
D214	S22400505002	DIODE KDS135S HIGH VOLT(KEC)	KDS135S
D215	2058300996	DIODE MUR1520 MOTOROLA	MUR 1520
D216	2078055960 -T	THYRISTOR 2N5064 PHILIPS	2N5064
D217	2078055960 -T	THYRISTOR 2N5064 PHILIPS	2N5064
D218	S22400505002	DIODE KDS135S HIGH VOLT(KEC)	KDS135S
D219	S22400505002	DIODE KDS135S HIGH VOLT(KEC)	KDS135S
D220	S22400505002	DIODE KDS135S HIGH VOLT(KEC)	KDS135S
D400	2058100996	DIODE RECTIFIER LT1N4006(4007)	1N 4006
D401	S22400505002	DIODE KDS135S HIGH VOLT(KEC)	KDS135S
D402	S22400505002	DIODE KDS135S HIGH VOLT(KEC)	KDS135S
D403	S22400505002	DIODE KDS135S HIGH VOLT(KEC)	KDS135S
D404	S22400505002	DIODE KDS135S HIGH VOLT(KEC)	KDS135S
D405	S22400505002	DIODE KDS135S HIGH VOLT(KEC)	KDS135S
D406	S22400505002	DIODE KDS135S HIGH VOLT(KEC)	KDS135S
D407	S22400505002	DIODE KDS135S HIGH VOLT(KEC)	KDS135S
D408	S22400505002	DIODE KDS135S HIGH VOLT(KEC)	KDS135S
D409	2058100996	DIODE RECTIFIER LT1N4006(4007)	1N 4006
D410	2058100996	DIODE RECTIFIER LT1N4006(4007)	1N 4006
D411	2058100996	DIODE RECTIFIER LT1N4006(4007)	1N 4006
D412	2058100996	DIODE RECTIFIER LT1N4006(4007)	1N 4006
D413	2058100996	DIODE RECTIFIER LT1N4006(4007)	1N 4006
D414	2058100996	DIODE RECTIFIER LT1N4006(4007)	1N 4006
F100	5508124433	FUSE SB 31.8MM 20A/250V U/C	T20AH/250V
F200	5508124433	FUSE SB 31.8MM 20A/250V U/C	T20AH/250V
F402	5508412234	FUSE 218T 20MM 1A/250V UCSKJ	T1AL/250V
IC100	2118013377	IC NE5532N PHILIPS	NJM 5532N
IC101	S21101167701	IC NE5517D PHILIPS	NE5517D
IC102	S21102087701	IC LM311D -T(VOLT COM)PHILPS	LM311M
IC103	S21102087701	IC LM311D -T(VOLT COM)PHILPS	LM311M
IC200	2118013377	IC NE5532N PHILIPS	NJM 5532N
IC202	S21102087701	IC LM311D -T(VOLT COM)PHILPS	LM311M
IC203	S21102087701	IC LM311D -T(VOLT COM)PHILPS	LM311M
IC400	2118001403	IC 4N29(THROUGH HOLE)	4N29
L100	2648099800	COIL INDUTOR 2.2UF	2.2uH
L200	2648099800	COIL INDUTOR 2.2UF	2.2uH
PO400	2438009800	POSISTOR P43T4D100BW140(H1)	H1
PO401	2438009800	POSISTOR P43T4D100BW140(H1)	H1
Q101	S20510405004	2N3906S -RTK	3906
Q102	2028407995	TR NPN MJE15032(MOTOROLA)	MJE15032
REF	ITEM_NO	DEFINE	VALUE
Q103	2028107118	TR PNP 2SA1943 TOSHIBA	2SA 1943
Q104	2028107118	TR PNP 2SA1943 TOSHIBA	2SA 1943
Q105	2028107118	TR PNP 2SA1943 TOSHIBA	2SA 1943



Q106	2028107118	TR PNP 2SA1943 TOSHIBA	2SA 1943
Q107	2028107995	TR PNP MJE15033 (MOTOROLA)	MJE15033
Q108	2028407122	TR NPN 2SC5200 TOSHIBA	2SC 5200
Q109	2028407122	TR NPN 2SC5200 TOSHIBA	2SC 5200
Q110	2028407122	TR NPN 2SC5200 TOSHIBA	2SC 5200
Q111	2028407122	TR NPN 2SC5200 TOSHIBA	2SC 5200
Q112	S20560448002	TR NPN 2N3904 SOT23 HSMC	3904
Q113	S20510405004	2N3906S-RTK	3906
Q114	2048209999	FET FQP50N06 (IRFZ44)	IRFZ44
Q115	S20560448002	TR NPN 2N3904 SOT23 HSMC	3904
Q116	S20510405004	2N3906S-RTK	3906
Q117	2048209999	FET FQP50N06 (IRFZ44)	IRFZ44
Q118	2078000810	TRI AC 2N6344A	2N6344A
Q201	S20510405004	2N3906S-RTK	3906
Q202	2028407995	TR NPN MJE15032(MOTOROLA)	MJE15032
Q203	2028107118	TR PNP 2SA1943 TOSHIBA	2SA 1943
Q204	2028107118	TR PNP 2SA1943 TOSHIBA	2SA 1943
Q205	2028107118	TR PNP 2SA1943 TOSHIBA	2SA 1943
Q206	2028107118	TR PNP 2SA1943 TOSHIBA	2SA 1943
Q207	2028107995	TR PNP MJE15033 (MOTOROLA)	MJE15033
Q208	2028407122	TR NPN 2SC5200 TOSHIBA	2SC 5200
Q209	2028407122	TR NPN 2SC5200 TOSHIBA	2SC 5200
Q210	2028407122	TR NPN 2SC5200 TOSHIBA	2SC 5200
Q211	2028407122	TR NPN 2SC5200 TOSHIBA	2SC 5200
Q212	S20560448002	TR NPN 2N3904 SOT23 HSMC	3904
Q213	S20510405004	2N3906S-RTK	3906
Q214	2048209999	FET FQP50N06 (IRFZ44)	IRFZ44
Q215	S20560448002	TR NPN 2N3904 SOT23 HSMC	3904
Q216	S20510405004	2N3906S-RTK	3906
Q217	2048209999	FET FQP50N06 (IRFZ44)	IRFZ44
Q218	2078000810	TRI AC 2N6344A	2N6344A
Q400	S20160402009	TR NPN KST42MTF FSC	KST42
Q401	S20560448002	TR NPN 2N3904 SOT23 HSMC	3904
Q402	S20560448002	TR NPN 2N3904 SOT23 HSMC	3904
Q403	S20510405004	2N3906S-RTK	3906
Q404	S20510405004	2N3906S-RTK	3906
Q405	S20560448002	TR NPN 2N3904 SOT23 HSMC	3904
Q406	S20560448002	TR NPN 2N3904 SOT23 HSMC	3904
Q407	S20560448002	TR NPN 2N3904 SOT23 HSMC	3904
Q408	S20510405004	2N3906S-RTK	3906
Q409	S20510405004	2N3906S-RTK	3906
Q410	2028400882	TR NPN TIP31TU FSC	TIP31C
R100	S30121005230	RES TF 10K F 1/10W 2012	10K 1%
R101	S30121005230	RES TF 10K F 1/10W 2012	10K 1%
R102	S30121005230	RES TF 10K F 1/10W 2012	10K 1%
R103	S30101027231	RES TF 1K 1/10W 2012	1K
R104	S30121005230	RES TF 10K F 1/10W 2012	10K 1%
R105	S30101037231	RES TF 10K 1/10W 2012	10K
R106	S30101547340	RES TF 150K J 3216	150K(3216)
R107	S30103937231	RES TF 39K 1/10W 2012	39K
R108	S30101017231	RES TF 100 1/10W 2012	100
R109	S30107527230	RES TF 7.5K J 1/10W 2012	7.5K
R110	S30101017231	RES TF 100 1/10W 2012	100
R111	S30108217231	RES TF 820 1/10W 2012	820
REF	ITEM_NO	DEFINE	VALUE
R112	S30107507231	RES TF 75 1/10W 2012	75
R113	S30114645340	RES TF 464K F 1% 3216	464K(3216)1%
R114	S30108247340	RES TF 820K J 3216	820K(3216)
R115	S30101227231	RES TF 1.2K 1/10W 2012	1.2K
R116	S30102437231	RES TF 24K 1/10W 2012	24K

R117	S30122215230	RES TF 22.1K F 1/10W0805(2012)	22.1K 1%
R118	S30108217340	RES TF 820 J 3216	820(3216)
R119	S30104727231	RES TF 4.7K 1/10W 2012	4.7K
R120	S30144025230	RES TF 402 F 1% 2012	402(1%)
R121	3032232455-T	RES MO 23.2K 1W FR	23.2K 1% 1W
R122	S30101017231	RES TF 100 1/10W 2012	100
R123	S30108217340	RES TF 820 J 3216	820(3216)
R124	S30108217340	RES TF 820 J 3216	820(3216)
R125	3059502875	RES CE 5K 7W JR	5K7WCE
R126	3059502875	RES CE 5K 7W JR	5K7WCE
R127	3059502875	RES CE 5K 7W JR	5K7WCE
R128	3059502875	RES CE 5K 7W JR	5K7WCE
R129	3079220475-T	RES NFR 22 1W JR	FR 22 1W
R130	3059228674	RES CE RGC3 0.22 3W(NOBLE)	0.22 3WCE
R131	3059228674	RES CE RGC3 0.22 3W(NOBLE)	0.22 3WCE
R132	3059228674	RES CE RGC3 0.22 3W(NOBLE)	0.22 3WCE
R133	3059228674	RES CE RGC3 0.22 3W(NOBLE)	0.22 3WCE
R134	3039339475-T	RES MO 3.3 1W JR	3.3 1W
R135	3039159575-T	RES MO 1.5 2W JR	1.5 2W
R136	3039182682	RES MO 1.8K 3W K N	1.8K 3W
R137	3039182682	RES MO 1.8K 3W K N	1.8K 3W
R138	3039182682	RES MO 1.8K 3W K N	1.8K 3W
R139	3079220475-T	RES NFR 22 1W JR	FR 22 1W
R140	3059228674	RES CE RGC3 0.22 3W(NOBLE)	0.22 3WCE
R141	3059228674	RES CE RGC3 0.22 3W(NOBLE)	0.22 3WCE
R142	3059228674	RES CE RGC3 0.22 3W(NOBLE)	0.22 3WCE
R143	3059228674	RES CE RGC3 0.22 3W(NOBLE)	0.22 3WCE
R144	3039339475-T	RES MO 3.3 1W JR	3.3 1W
R145	3039159575-T	RES MO 1.5 2W JR	1.5 2W
R146	3039153475-T	RES MO 15K 1W JR	15K 1W
R147	3079101275	RES ERD-2FCVG 101T 1/4W R	FR 100
R148	3079100275	RES ERD-2FCVG 10T 1/4W R	FR 10
R149	3039569575-T	RES MO 5.6 2W JR	5.6 2W
R150	3039120674	RES MO 12 3W JP	12 3W
R151	3039120674	RES MO 12 3W JP	12 3W
R152	3039120674	RES MO 12 3W JP	12 3W
R153	3039120674	RES MO 12 3W JP	12 3W
R154	S30102027231	RES TF 2K 1/10W 2012	2K
R155	3039103472-T	RES MO 10K 1W J T	10K 1W
R156	S30101547340	RES TF 150K J 3216	150K(3216)
R157	S30101547340	RES TF 150K J 3216	150K(3216)
R158	S30104727231	RES TF 4.7K 1/10W 2012	4.7K
R159	S30104727231	RES TF 4.7K 1/10W 2012	4.7K
R160	S30104747231	RES TF 470K 1/10W 2012	470K
R161	S30135905230	RES TF 5.9K F 1% 2012	5.9K 1%
R162	S30133015230	RES TF 3.01K F 1% 2012	3.01K1%
R163	S30101237231	RES TF 12K 1/10W 2012	12K
R164	S30104707231	RES TF 47 1/10W 2012	47
R165	3059512774	RES CE 5.1K 5W	5.1K 5W
R166	S30102027231	RES TF 2K 1/10W 2012	2K
R167	3039103472-T	RES MO 10K 1W J T	10K 1W
R168	S30101547340	RES TF 150K J 3216	150K(3216)
REF	ITEM_NO	DEFINE	VALUE
R169	S30101547340	RES TF 150K J 3216	150K(3216)
R170	S30104737231	RES TF 47K 1/10W 2012	47K
R171	S30104747231	RES TF 470K 1/10W 2012	470K
R172	S30104727231	RES TF 4.7K 1/10W 2012	4.7K
R173	S30104727231	RES TF 4.7K 1/10W 2012	4.7K
R174	S30135905230	RES TF 5.9K F 1% 2012	5.9K 1%
R175	S30102227231	RES TF 2.2K J 1/10W 2012	2.2K

R176	S30104707231	RES TF 47 1/10W 2012	47
R177	3039512774	RES CE 5.1K 5W	5.1K 5W
R178	S30101537231	RES TF 15K 1/10W 2012	15K
R179	S30101537231	RES TF 15K 1/10W 2012	15K
R180	S30102717231	RES TF 270 1/10W 2012	270
R200	S30121005230	RES TF 10K F 1/10W 2012	10K 1%
R201	S30121005230	RES TF 10K F 1/10W 2012	10K 1%
R202	S30121005230	RES TF 10K F 1/10W 2012	10K 1%
R203	S30101027231	RES TF 1K 1/10W 2012	1K
R204	S30121005230	RES TF 10K F 1/10W 2012	10K 1%
R205	S30101037231	RES TF 10K 1/10W 2012	10K
R206	S30101547340	RES TF 150K J 3216	150K(3216)
R207	S30103937231	RES TF 39K 1/10W 2012	39K
R208	S30101017231	RES TF 100 1/10W 2012	100
R209	S30107527230	RES TF 7.5K J 1/10W 2012	7.5K
R210	S30101017231	RES TF 100 1/10W 2012	100
R211	S30108217231	RES TF 820 1/10W 2012	820
R212	S30107507231	RES TF 75 1/10W 2012	75
R213	S30114645340	RES TF 464K F 1% 3216	464K(3216)1%
R214	S30108247340	RES TF 820K J 3216	820K(3216)
R215	S30101227231	RES TF 1.2K 1/10W 2012	1.2K
R216	S30102437231	RES TF 24K 1/10W 2012	24K
R217	S30122215230	RES TF 22.1K F 1/10W0805(2012)	22.1K 1%
R218	S30108217340	RES TF 820 J 3216	820(3216)
R219	S30104727231	RES TF 4.7K 1/10W 2012	4.7K
R220	S30144025230	RES TF 402 F 1% 2012	402(1%)
R221	3032232455-T	RES MO 23.2K 1W FR	23.2K 1% 1W
R222	S30101017231	RES TF 100 1/10W 2012	100
R223	S30108217340	RES TF 820 J 3216	820(3216)
R224	S30108217340	RES TF 820 J 3216	820(3216)
R225	3059502875	RES CE 5K 7W JR	5K7WCE
R226	3059502875	RES CE 5K 7W JR	5K7WCE
R227	3059502875	RES CE 5K 7W JR	5K7WCE
R228	3059502875	RES CE 5K 7W JR	5K7WCE
R229	3079220475-T	RES NFR 22 1W JR	FR 22 1W
R230	3059228674	RES CE RGC3 0.22 3W(NOBLE)	0.22 3WCE
R231	3059228674	RES CE RGC3 0.22 3W(NOBLE)	0.22 3WCE
R232	3059228674	RES CE RGC3 0.22 3W(NOBLE)	0.22 3WCE
R233	3059228674	RES CE RGC3 0.22 3W(NOBLE)	0.22 3WCE
R234	3039339475-T	RES MO 3.3 1W JR	3.3 1W
R235	3039159575-T	RES MO 1.5 2W JR	1.5 2W
R236	3039182682	RES MO 1.8K 3W K N	1.8K 3W
R237	3039182682	RES MO 1.8K 3W K N	1.8K 3W
R238	3039182682	RES MO 1.8K 3W K N	1.8K 3W
R239	3079220475-T	RES NFR 22 1W JR	FR 22 1W
R240	3059228674	RES CE RGC3 0.22 3W(NOBLE)	0.22 3WCE
R241	3059228674	RES CE RGC3 0.22 3W(NOBLE)	0.22 3WCE
R242	3059228674	RES CE RGC3 0.22 3W(NOBLE)	0.22 3WCE
R243	3059228674	RES CE RGC3 0.22 3W(NOBLE)	0.22 3WCE
R244	3039339475-T	RES MO 3.3 1W JR	3.3 1W
REF	ITEM NO	DEFINE	VALUE
R245	3039159575-T	RES MO 1.5 2W JR	1.5 2W
R246	3039153475-T	RES MO 15K 1W JR	15K 1W
R247	3079101275	RES ERD-2FCVG 101T 1/4W R	FR 100
R248	3079100275	RES ERD-2FCVG 10T 1/4W R	FR 10
R249	3039569575-T	RES MO 5.6 2W JR	5.6 2W
R250	3039120674	RES MO 12 3W JP	12 3W
R251	3039120674	RES MO 12 3W JP	12 3W
R252	3039120674	RES MO 12 3W JP	12 3W
R253	3039120674	RES MO 12 3W JP	12 3W

R254	S30102027231	RES TF 2K 1/10W 2012	2K
R255	3039103472-T	RES MO 10K 1W J T	10K 1W
R256	S30101547340	RES TF 150K J 3216	150K(3216)
R257	S30101547340	RES TF 150K J 3216	150K(3216)
R258	S30104727231	RES TF 4.7K 1/10W 2012	4.7K
R259	S30104727231	RES TF 4.7K 1/10W 2012	4.7K
R260	S30104747231	RES TF 470K 1/10W 2012	470K
R261	S30135905230	RES TF 5.9K F 1% 2012	5.9K 1%
R262	S30103027231	RES TF 3K 1/10W 2012	3K
R263	S30101237231	RES TF 12K 1/10W 2012	12K
R264	S30104707231	RES TF 47 1/10W 2012	47
R265	3039512774	RES CE 5.1K 5W	5.1K 5W
R266	S30102027231	RES TF 2K 1/10W 2012	2K
R267	3039103472-T	RES MO 10K 1W J T	10K 1W
R268	S30101547340	RES TF 150K J 3216	150K(3216)
R269	S30101547340	RES TF 150K J 3216	150K(3216)
R270	S30104737231	RES TF 47K 1/10W 2012	47K
R271	S30104747231	RES TF 470K 1/10W 2012	470K
R272	S30104727231	RES TF 4.7K 1/10W 2012	4.7K
R273	S30104727231	RES TF 4.7K 1/10W 2012	4.7K
R274	S30135905230	RES TF 5.9K F 1% 2012	5.9K 1%
R275	S30102227231	RES TF 2.2K J 1/10W 2012	2.2K
R276	S30104707231	RES TF 47 1/10W 2012	47
R277	3039512774	RES CE 5.1K 5W	5.1K 5W
R278	S30101537231	RES TF 15K 1/10W 2012	15K
R279	S30101537231	RES TF 15K 1/10W 2012	15K
R280	S30102717231	RES TF 270 1/10W 2012	270
R300	S30126805340	RES TF 68K F 1% 3216	68K(3216)1%
R301	S30126805340	RES TF 68K F 1% 3216	68K(3216)1%
R302	S30126805340	RES TF 68K F 1% 3216	68K(3216)1%
R303	S30126805340	RES TF 68K F 1% 3216	68K(3216)1%
R304	S30133015230	RES TF 3.01K F 1% 2012	3.01K1%
R305	3032232455-T	RES MO 23.2K 1W FR	23.2K 1% 1W
R306	S30101027231	RES TF 1K 1/10W 2012	1K
R307	S30114645340	RES TF 464K F 1% 3216	464K(3216)1%
R308	3039339475-T	RES MO 3.3 1W JR	3.3 1W
R309	S30101017231	RES TF 100 1/10W 2012	100
R310	S30101037231	RES TF 10K 1/10W 2012	10K
R311	S30101037231	RES TF 10K 1/10W 2012	10K
R400	3039120674	RES MO 12 3W JP	12 3W
R401	3039120674	RES MO 12 3W JP	12 3W
R402	3039683674	RES MO 68K 3W J	68K 3W
R403	S30101037340	RES TF 1M J 3216	1M(3216)
R404	3039683674	RES MO 68K 3W J	68K 3W
R405	S30101037340	RES TF 1M J 3216	1M(3216)
R406	S30103347340	RES TF 330K J 3216	330K(3216)
R407	S30102247231	RES TF 220K 1/10W 2012	220K
R408	S30102027231	RES TF 2K 1/10W 2012	2K
REF	ITEM_NO	DEFINE	VALUE
R409	S30101547340	RES TF 150K J 3216	150K(3216)
R410	S30109147340	RES TF 910K J 3216	910K(3216)
R411	S30103347340	RES TF 330K J 3216	330K(3216)
R412	S30102437231	RES TF 24K 1/10W 2012	24K
R413	3039683674	RES MO 68K 3W J	68K 3W
R414	3039683674	RES MO 68K 3W J	68K 3W
R415	S30106827340	RES TF 6.8K J 3216	6.8K(3216)
R416	S30106827340	RES TF 6.8K J 3216	6.8K(3216)
R417	S30104747340	RES TF 470K J 3216	470K(3216)
R418	S30102027231	RES TF 2K 1/10W 2012	2K
R419	3039121575-T	RES MO 120 2W JR	120 2W

R420	S30101037231	RES TF 10K 1/10W 2012	10K
R421	S30101037231	RES TF 10K 1/10W 2012	10K
R422	S30101037231	RES TF 10K 1/10W 2012	10K
R423	S30101037231	RES TF 10K 1/10W 2012	10K
R424	S30104707231	RES TF 47 1/10W 2012	47
R425	S30101017231	RES TF 100 1/10W 2012	100
SP100	4438189710	JACK SPEAKON NL4MD-H(NEUTRIK)	SPEAKON
SP101	4438189710	JACK SPEAKON NL4MD-H(NEUTRIK)	SPEAKON
SP102	4438189810	BINDING POST CL1597XA(CLIFF)	CL1597XA
SW100	4618499210	SW SLIDE JSS4319A(JEIL)	JSS4319
TH100	2438209016	THERMISTOR NTC 5D-600 JPC	60 OHM NTC
TH200	2438209016	THERMISTOR NTC 5D-600 JPC	60 OHM NTC
TH400	2438209760	POWER THERMISTOR NTC-1D-30	1 OHM 30A
TH401	2423000999	SW POLY 50VX110 JX3K-T	1.1A 0.15 OHM
VR100	3248310120-T	RES RH0638C100101	100
VR101	3248322220-T	RES SEMI RH0638C100222	2.2K
VR102	3248322220-T	RES SEMI RH0638C100222	2.2K
VR200	3248310120-T	RES RH0638C100101	100
VR201	3248322220-T	RES SEMI RH0638C100222	2.2K
VR202	3248322220-T	RES SEMI RH0638C100222	2.2K
ZD100	2058510150	DIODE ZENER UZP-15BM(1N4744A)	UZP 15BM_1W
ZD101	2058510150	DIODE ZENER UZP-15BM(1N4744A)	UZP 15BM_1W
ZD102	2058502056	DIODE ZENER UZ-5.6BM(1N5232B)	UZ 5.6BM
ZD103	2058502056	DIODE ZENER UZ-5.6BM(1N5232B)	UZ 5.6BM
ZD104	2058502039	DIODE ZENER 1N5228B 3.9BM	3.9V
ZD105	2058512190	DIODE ZENER 10V 1W(IN4740A)	UZ 10BM/1W
ZD106	2058512150	DIODE ZENER 12V 1W(IN4742A)	12V 1W
ZD200	2058510150	DIODE ZENER UZP-15BM(1N4744A)	UZP 15BM_1W
ZD201	2058510150	DIODE ZENER UZP-15BM(1N4744A)	UZP 15BM_1W
ZD202	2058502056	DIODE ZENER UZ-5.6BM(1N5232B)	UZ 5.6BM
ZD203	2058502056	DIODE ZENER UZ-5.6BM(1N5232B)	UZ 5.6BM
ZD204	2058502039	DIODE ZENER 1N5228B 3.9BM	3.9V
ZD205	2058512190	DIODE ZENER 10V 1W(IN4740A)	UZ 10BM/1W
ZD206	2058512150	DIODE ZENER 12V 1W(IN4742A)	12V 1W
ZD400	2058510150	DIODE ZENER UZP-15BM(1N4744A)	UZP 15BM_1W
ZD401	2058510150	DIODE ZENER UZP-15BM(1N4744A)	UZP 15BM_1W
CN101	4428528122	CON WAFER 22FE-BT-VK-N	
CN102	4428528122	CON WAFER 22FE-BT-VK-N	
CN103	4428595003	LW5267/LWB0640/2.5MM-03P	
CN401	4355923806	CONNECTOR WAFER 06P(J.ST)	
CN402	4355923806	CONNECTOR WAFER 06P(J.ST)	
CN403	4428595005	LW5267/LWB0640/2.5MM-05P	
	4458999110	FUSE CLIP 5*20	
	4225000810-T	TEST POINT (NZ0352-001Z)	
	7505297320	TR HEAT SINK	
	4465998210	TERMINAL(250)PCB TAB	

REF	ITEM_NO	DEFINE	VALUE
	4255000410	FUSE CLIP 6*31.8	
	4355719203	CON ASS'Y 1P 100MM BLK	
	4355716126	CON ASS'Y 2P BLK/WHT 700MM#14	
<b>INPUT(4005179220)</b>			
C601	S35105604331	CAP CE C 56PF 50V J 0805(2012)	56P
C602	S35105604331	CAP CE C 56PF 50V J 0805(2012)	56P
C603	3409247044-T	CAP RG 47UF 25V	47/25
C604	S35105604331	CAP CE C 56PF 50V J 0805(2012)	56P
C605	S35105604331	CAP CE C 56PF 50V J 0805(2012)	56P
C606	3409247044-T	CAP RG 47UF 25V	47/25
C607	3509471130-T	CAP CE SL 470PF 50V J	470P
C608	3509471130-T	CAP CE SL 470PF 50V J	470P
C609	3509471130-T	CAP CE SL 470PF 50V J	470P
C610	3509471130-T	CAP CE SL 470PF 50V J	470P
D601	S22400505002	DIODE KDS135S HIGH VOLT(KEC)	KDS135S
D602	S22400505002	DIODE KDS135S HIGH VOLT(KEC)	KDS135S
D603	S22400505002	DIODE KDS135S HIGH VOLT(KEC)	KDS135S
D604	S22400505002	DIODE KDS135S HIGH VOLT(KEC)	KDS135S
IC601	S21101080002	IC NJM2068M/TE1~4	2068
IC602	S21101080002	IC NJM2068M/TE1~4	2068
JK601	4438090310	JACK COMBINATION CXLFF-06L	COMBO
JK602	4408194310	XLR JACK (M) E503A0150N	XLR
JK603	4438090310	JACK COMBINATION CXLFF-06L	COMBO
JK604	4408194310	XLR JACK (M) E503A0150N	XLR
R601	S30121005230	RES TF 10K F 1/10W 2012	10K 1%
R602	S30121005230	RES TF 10K F 1/10W 2012	10K 1%
R603	S30121005230	RES TF 10K F 1/10W 2012	10K 1%
R604	S30121005230	RES TF 10K F 1/10W 2012	10K 1%
R605	S30121005230	RES TF 10K F 1/10W 2012	10K 1%
R606	S30121005230	RES TF 10K F 1/10W 2012	10K 1%
R607	S30121005230	RES TF 10K F 1/10W 2012	10K 1%
R608	S30121005230	RES TF 10K F 1/10W 2012	10K 1%
SW600	4618999910	SW SS65010-0203-9H-FN	
SW601	4618999910	SW SS65010-0203-9H-FN	
SW602	4618299110	SW SLIDE JSS2201 S090(JEIL)	JSS2201
SW603	4618299110	SW SLIDE JSS2201 S090(JEIL)	JSS2201
AN101	4428528122	CON WAFER 22FE-BT-VK-N	
	4355719303	CON ASS'Y 1P 100MM BLK	
	6505955520	PCB BKT MX-400	
<b>VR(4005179210)</b>			
C500	S35104714344	CAP CE470PF 50V J(3216)	470P(3216)
C501	3409210023-T	CAP AF SE 10U/50V 6.4X5 (5MM)	Oct-50
C502	S35104714344	CAP CE470PF 50V J(3216)	470P(3216)
C503	3409210023-T	CAP AF SE 10U/50V 6.4X5 (5MM)	Oct-50
D500	S22400505002	DIODE KDS135S HIGH VOLT(KEC)	KDS135S
D501	S22400505002	DIODE KDS135S HIGH VOLT(KEC)	KDS135S
D502	S22400505002	DIODE KDS135S HIGH VOLT(KEC)	KDS135S
D503	S22400505002	DIODE KDS135S HIGH VOLT(KEC)	KDS135S
D504	S22400505002	DIODE KDS135S HIGH VOLT(KEC)	KDS135S
LD500	2300032105	LED LTL-16KG-021A LITEON	GRN
LD501	2300032105	LED LTL-16KG-021A LITEON	GRN
LD502	2300032105	LED LTL-16KG-021A LITEON	GRN
LD503	2300032105	LED LTL-16KG-021A LITEON	GRN
LD504	2300030105	LED LTL-16KHR-021A LITEON	RED
LD505	2300030105	LED LTL-16KHR-021A LITEON	RED
LD506	2300030105	LED LTL-16KHR-021A LITEON	RED
LD507	2300031105	LED LTL-16KY-021A LITEON	YEL

REF	ITEM_NO	DEFINE	VALUE
LD508	2300031105	LED LTL-16KY-021A LITEON	YEL
LD509	2300031105	LED LTL-16KY-021A LITEON	YEL
LD510	2300030105	LED LTL-16KHR-021A LITEON	RED
LD511	2300037000	LED OLB530IT-60(BLUE)	BLUE
Q501	S20510405004	2N3906S-RTK	3906
Q502	S20510405004	2N3906S-RTK	3906
Q503	S20510405004	2N3906S-RTK	3906
Q504	S20560448002	TR NPN 2N3904 SOT23 HSMC	3904
Q506	S20510405004	2N3906S-RTK	3906
Q507	S20510405004	2N3906S-RTK	3906
Q508	S20510405004	2N3906S-RTK	3906
Q509	S20560448002	TR NPN 2N3904 SOT23 HSMC	3904
Q510	S20560448002	TR NPN 2N3904 SOT23 HSMC	3904
R500	S30104727231	RES TF 4.7K 1/10W 2012	4.7K
R501	S30104727231	RES TF 4.7K 1/10W 2012	4.7K
R502	S30101027340	RES TF 1K J 3216	1K(3216)
R503	S30104727231	RES TF 4.7K 1/10W 2012	4.7K
R504	S30104727231	RES TF 4.7K 1/10W 2012	4.7K
R505	S30101027340	RES TF 1K J 3216	1K(3216)
R506	S30103927231	RES TF 3.9K 1/10W 2012	3.9K
R507	S30103927231	RES TF 3.9K 1/10W 2012	3.9K
R508	S30103927231	RES TF 3.9K 1/10W 2012	3.9K
R509	S30103927231	RES TF 3.9K 1/10W 2012	3.9K
R510	S30103927231	RES TF 3.9K 1/10W 2012	3.9K
R511	S30103927231	RES TF 3.9K 1/10W 2012	3.9K
R512	S30102717231	RES TF 270 1/10W 2012	270
R513	S30102717231	RES TF 270 1/10W 2012	270
R516	S30104737231	RES TF 47K 1/10W 2012	47K
R517	S30104737231	RES TF 47K 1/10W 2012	47K
R518	S30101527231	RES TF 1.5K 1/10W 2012	1.5K
VR501	3228067100	VR RK09S11F0202-2.5KB	2.5KB
VR502	3228067100	VR RK09S11F0202-2.5KB	2.5KB
ZD501	2058502024	DIODE ZENER 1N5221B 2.4BM	UZ 2.4BM
ZD502	2058502024	DIODE ZENER 1N5221B 2.4BM	UZ 2.4BM
AN100	4428528122	CON WAFER 22FE-BT-VK-N	
<b>ASS'Y</b>			
	4355719500	FLEXIBLE FLAT CABLE 22P 120MM	
	4355719600	FLEXIBLE FLAT CABLE 22P 350MM	
	4355810803	GND TERMINAL ASS'Y (REF-2300)	
	4355716214	CON ASS'Y 1P 300MM #14 1015	
	4355716314	CON ASS'Y 1P 300MM #14 1015	
	4355716415	CON ASS'Y 1P 330MM #14 1015	
	7308997510	DC FAN(3110KL-05W-B70-F04)	
	4625996611	SW POWER(C1350AT) ARCOLECTRIC	
	5568223733	CIRCUIT BREAKER W28-XQ1A-8A	AC220V/230V/240V
	5568224333	CIRCUIT BREAKER W28-XQ1A-16A	AC100V/120V
	2828056600	TRANS POWER L-1800(100V)	
	2828056610	TRANS POWER L-1800(120V)	
	2828056620	TRANS POWER L-1800(220V)	
	2828056630	TRANS POWER L-1800(230V)	
	2828056640	TRANS POWER L-1800(240V)	

## L-2400

REF	ITEM NO	DEFINE	VALUE
<b>AMP(4005179600)</b>			
BD400	2058100500	DIODE BRIDGE GBPC-W 2504	GBPC2504
BD401	2058100500	DIODE BRIDGE GBPC-W 2504	GBPC2504
BD402	2058100500	DIODE BRIDGE GBPC-W 2504	GBPC2504
BD403	2058100500	DIODE BRIDGE GBPC-W 2504	GBPC2504
BD404	S22201500009	DIODE BRIDGE DBS105G	DBS105G
C100	S35101815331	CAP CE C 180PF 50V 0805(2012)	180P
C101	3409810131-T	CAP AF NP 100UF 16V	100/16 NP
C102	S35101815331	CAP CE C 180PF 50V 0805(2012)	180P
C103	S35101044344	CAP CE0.1UF 50V J(3216)	0.1/50(3216)
C104	S35101044344	CAP CE0.1UF 50V J(3216)	0.1/50(3216)
C105	3409210141-T	CAP AF RSG 100UF 25V 6 P	100/25
C106	S35101044344	CAP CE0.1UF 50V J(3216)	0.1/50(3216)
C107	3609152153-T	CAP TX 0.0015UF 200V(SAMWHA)	0.0015/250(M)
C108	S35102704544	CAP CE27PF 200V J(3216)	27P 200V
C109	3609224122-T	CAP MA 0.22UF 100V J MINI	0.22/100(M)
C110	3609154122-T	CAP MA 0.15UF 100V MINI	0.15/100(M)
C111	3609154122-T	CAP MA 0.15UF 100V MINI	0.15/100(M)
C112	3409810131-T	CAP AF NP 100UF 16V	100/16 NP
C113	3409222171-T	CAP AF RSG 220UF 50V SG 10 P	220/50
C114	S35105604331	CAP CE C 56PF 50V J 0805(2012)	56P
C115	3409222171-T	CAP AF RSG 220UF 50V SG 10 P	220/50
C116	3609223120-T	CAP MA 0.022UF 100V J	0.022/100(M)
C117	S35102224344	CAP CE2200PF 50V J(3216)	2200PF(3216)
C118	3609332120-T	CAP MA 0.0033UF 100V	0.0033/100(M)
C119	3609332120-T	CAP MA 0.0033UF 100V	0.0033/100(M)
C120	3609223120-T	CAP MA 0.022UF 100V J	0.022/100(M)
C121	3639104255-T	CAP TL 104K 250V K SMA-4000	0.1/250(M)
C122	3409212385	CAP LP123Z063P450 12000UF 63V	12000/63
C123	3409212385	CAP LP123Z063P450 12000UF 63V	12000/63
C124	3409212385	CAP LP123Z063P450 12000UF 63V	12000/63
C125	3409212385	CAP LP123Z063P450 12000UF 63V	12000/63
C126	3639104255-T	CAP TL 104K 250V K SMA-4000	0.1/250(M)
C127	3409822071-T	CAP AF NP 22UF 50V 8 P	22/50 NP
C128	3609683153-T	CAP TL 0.068UF 250V(SAMWHA)	0.068/250(M)
C129	3609683153-T	CAP TL 0.068UF 250V(SAMWHA)	0.068/250(M)
C130	3609332120-T	CAP MA 0.0033UF 100V	0.0033/100(M)
C131	S35104704331	CAP CE C 47PF 50V J 0805(2012)	47P
C132	3409210071-T	CAP AF RSG 10UF 50V 5 P	10/50
C133	3409210141-T	CAP AF RSG 100UF 25V 6 P	100/25
C134	3609332120-T	CAP MA 0.0033UF 100V	0.0033/100(M)
C135	S35104704331	CAP CE C 47PF 50V J 0805(2012)	47P
C136	S35101044344	CAP CE0.1UF 50V J(3216)	0.1/50(3216)
C137	S35104704331	CAP CE C 47PF 50V J 0805(2012)	47P
C138	3409210141-T	CAP AF RSG 100UF 25V 6 P	100/25
C139	3409247044-T	CAP RG 47UF 25V	47/25
C200	S35101815331	CAP CE C 180PF 50V 0805(2012)	180P
C201	3409810131-T	CAP AF NP 100UF 16V	100/16 NP
C202	S35101815331	CAP CE C 180PF 50V 0805(2012)	180P
C205	3409210141-T	CAP AF RSG 100UF 25V 6 P	100/25
C206	S35101044344	CAP CE0.1UF 50V J(3216)	0.1/50(3216)
C207	3609152153-T	CAP TX 0.0015UF 200V(SAMWHA)	0.0015/250(M)
C208	S35102704544	CAP CE27PF 200V J(3216)	27P 200V
C209	3609224122-T	CAP MA 0.22UF 100V J MINI	0.22/100(M)
C210	3609154122-T	CAP MA 0.15UF 100V MINI	0.15/100(M)



REF	ITEM_NO	DEFINE	VALUE
C211	3609154122-T	CAP MA 0.15UF 100V MINI	0.15/100(M)
C212	3409810131-T	CAP AF NP 100UF 16V	100/16 NP
C213	3409222171-T	CAP AF RSG 220UF 50V SG 10 P	220/50
C214	S35105604331	CAP CE C 56PF 50V J 0805(2012)	56P
C215	3409222171-T	CAP AF RSG 220UF 50V SG 10 P	220/50
C216	3609223120-T	CAP MA 0.022UF 100V J	0.022/100(M)
C217	S35102224344	CAP CE2200PF 50V J(3216)	2200PF(3216)
C218	3609332120-T	CAP MA 0.0033UF 100V	0.0033/100(M)
C219	3609332120-T	CAP MA 0.0033UF 100V	0.0033/100(M)
C220	3609223120-T	CAP MA 0.022UF 100V J	0.022/100(M)
C221	3639104255-T	CAP TL 104K 250V K SMA-4000	0.1/250(M)
C222	3409212385	CAP LP123Z063P450 12000UF 63V	12000/63
C223	3409212385	CAP LP123Z063P450 12000UF 63V	12000/63
C224	3409212385	CAP LP123Z063P450 12000UF 63V	12000/63
C225	3409212385	CAP LP123Z063P450 12000UF 63V	12000/63
C226	3639104255-T	CAP TL 104K 250V K SMA-4000	0.1/250(M)
C227	3409822071-T	CAP AF NP 22UF 50V 8 P	22/50 NP
C228	3609683153-T	CAP TL 0.068UF 250V(SAMWHA)	0.068/250(M)
C229	3609683153-T	CAP TL 0.068UF 250V(SAMWHA)	0.068/250(M)
C230	3609332120-T	CAP MA 0.0033UF 100V	0.0033/100(M)
C231	S35104704331	CAP CE C 47PF 50V J 0805(2012)	47P
C232	3409210071-T	CAP AF RSG 10UF 50V 5 P	Oct-50
C233	3409210141-T	CAP AF RSG 100UF 25V 6 P	100/25
C234	3609332120-T	CAP MA 0.0033UF 100V	0.0033/100(M)
C235	S35104704331	CAP CE C 47PF 50V J 0805(2012)	47P
C236	S35101044344	CAP CE0.1UF 50V J(3216)	0.1/50(3216)
C237	S35104704331	CAP CE C 47PF 50V J 0805(2012)	47P
C238	3409210141-T	CAP AF RSG 100UF 25V 6 P	100/25
C239	3409247044-T	CAP RG 47UF 25V	47/25
C305	S35101014331	CAP CE C 100PF 50V J 0805(2012)	100P
C400	3609224153	CAP TL 0.22UF 250V J(10MM)	0.22/250
C401	3609224153	CAP TL 0.22UF 250V J(10MM)	0.22/250
C402	3609224153	CAP TL 0.22UF 250V J(10MM)	0.22/250
C403	3609224153	CAP TL 0.22UF 250V J(10MM)	0.22/250
C404	3609473160	CAP MA 0.047UF 400V J	0.047/400
C405	3409247801	CAP AF SG 4.7UF 250V	4.7/250
C406	3409247071-T	CAP AF RSG 47UF 50V 6 P	47/50
C407	S35101044344	CAP CE0.1UF 50V J(3216)	0.1/50(3216)
C408	S35101014331	CAP CE C 100PF 50V J 0805(2012)	100P
C409	3408210261	CAP RSG 1000UF 35V SNAP 16 P	1000/35
C411	3408210261	CAP RSG 1000UF 35V SNAP 16 P	1000/35
D100	S22400505002	DIODE KDS135S HIGH VOLT(KEC)	KDS135S
D101	S22400505002	DIODE KDS135S HIGH VOLT(KEC)	KDS135S
D102	S22400505002	DIODE KDS135S HIGH VOLT(KEC)	KDS135S
D103	S22400505002	DIODE KDS135S HIGH VOLT(KEC)	KDS135S
D104	2058400996	DIODE IN4934 TAIWAN	1N 4934
D105	2058400996	DIODE IN4934 TAIWAN	1N 4934
D106	S22400505002	DIODE KDS135S HIGH VOLT(KEC)	KDS135S
D107	S22400505002	DIODE KDS135S HIGH VOLT(KEC)	KDS135S
D108	S22400505002	DIODE KDS135S HIGH VOLT(KEC)	KDS135S
D109	S22400505002	DIODE KDS135S HIGH VOLT(KEC)	KDS135S
D110	2058300996	DIODE MUR1520 MOTOROLA	MUR 1520
D111	2058100110	DIODE RL207 PYUNG CHANG	PS 2010
D112	2058100110	DIODE RL207 PYUNG CHANG	PS 2010
D113	S22400505002	DIODE KDS135S HIGH VOLT(KEC)	KDS135S
D114	S22400505002	DIODE KDS135S HIGH VOLT(KEC)	KDS135S
REF	ITEM_NO	DEFINE	VALUE

D115	2058300996	DIODE MUR1520 MOTOROLA	MUR 1520
D116	2078055960-T	THYRISTOR 2N5064 PHILIPS	2N5064
D117	2078055960-T	THYRISTOR 2N5064 PHILIPS	2N5064
D118	S22400505002	DIODE KDS135S HIGH VOLT(KEC)	KDS135S
D119	S22400505002	DIODE KDS135S HIGH VOLT(KEC)	KDS135S
D120	S22400505002	DIODE KDS135S HIGH VOLT(KEC)	KDS135S
D200	S22400505002	DIODE KDS135S HIGH VOLT(KEC)	KDS135S
D201	S22400505002	DIODE KDS135S HIGH VOLT(KEC)	KDS135S
D202	S22400505002	DIODE KDS135S HIGH VOLT(KEC)	KDS135S
D203	S22400505002	DIODE KDS135S HIGH VOLT(KEC)	KDS135S
D204	2058400996	DIODE IN4934 TAIWAN	1N 4934
D205	2058400996	DIODE IN4934 TAIWAN	1N 4934
D206	S22400505002	DIODE KDS135S HIGH VOLT(KEC)	KDS135S
D207	S22400505002	DIODE KDS135S HIGH VOLT(KEC)	KDS135S
D208	S22400505002	DIODE KDS135S HIGH VOLT(KEC)	KDS135S
D209	S22400505002	DIODE KDS135S HIGH VOLT(KEC)	KDS135S
D210	2058300996	DIODE MUR1520 MOTOROLA	MUR 1520
D211	2058100110	DIODE RL207 PYUNG CHANG	PS 2010
D212	2058100110	DIODE RL207 PYUNG CHANG	PS 2010
D213	S22400505002	DIODE KDS135S HIGH VOLT(KEC)	KDS135S
D214	S22400505002	DIODE KDS135S HIGH VOLT(KEC)	KDS135S
D215	2058300996	DIODE MUR1520 MOTOROLA	MUR 1520
D216	2078055960-T	THYRISTOR 2N5064 PHILIPS	2N5064
D217	2078055960-T	THYRISTOR 2N5064 PHILIPS	2N5064
D218	S22400505002	DIODE KDS135S HIGH VOLT(KEC)	KDS135S
D219	S22400505002	DIODE KDS135S HIGH VOLT(KEC)	KDS135S
D220	S22400505002	DIODE KDS135S HIGH VOLT(KEC)	KDS135S
D400	2058100996	DIODE RECTIFIER LT1N4006(4007)	1N 4006
D401	S22400505002	DIODE KDS135S HIGH VOLT(KEC)	KDS135S
D402	S22400505002	DIODE KDS135S HIGH VOLT(KEC)	KDS135S
D403	S22400505002	DIODE KDS135S HIGH VOLT(KEC)	KDS135S
D404	S22400505002	DIODE KDS135S HIGH VOLT(KEC)	KDS135S
D405	S22400505002	DIODE KDS135S HIGH VOLT(KEC)	KDS135S
D406	S22400505002	DIODE KDS135S HIGH VOLT(KEC)	KDS135S
D407	S22400505002	DIODE KDS135S HIGH VOLT(KEC)	KDS135S
D408	S22400505002	DIODE KDS135S HIGH VOLT(KEC)	KDS135S
D409	2058100996	DIODE RECTIFIER LT1N4006(4007)	1N 4006
D410	2058100996	DIODE RECTIFIER LT1N4006(4007)	1N 4006
D411	2058100996	DIODE RECTIFIER LT1N4006(4007)	1N 4006
D412	2058100996	DIODE RECTIFIER LT1N4006(4007)	1N 4006
D413	2058100996	DIODE RECTIFIER LT1N4006(4007)	1N 4006
D414	2058100996	DIODE RECTIFIER LT1N4006(4007)	1N 4006
F100	5508124523	FUSE SB 31.8MM 25A/125V U/C	25AH/125V
F200	5508124523	FUSE SB 31.8MM 25A/125V U/C	25AH/125V
F402	5508412234	FUSE 218T 20MM 1A/250V UCSKJ	T1AL/250V
IC100	2118013377	IC NE5532N PHILIPS	NJM 5532N
IC101	S21101167701	IC NE5517D PHILIPS	NE5517D
IC102	S21102087701	IC LM311D-T(VOLT COM)PHILPS	LM311M
IC103	S21102087701	IC LM311D-T(VOLT COM)PHILPS	LM311M
IC200	2118013377	IC NE5532N PHILIPS	NJM 5532N
IC202	S21102087701	IC LM311D-T(VOLT COM)PHILPS	LM311M
IC203	S21102087701	IC LM311D-T(VOLT COM)PHILPS	LM311M
IC400	2118001403	IC 4N29(THROUGH HOLE)	4N29
L100	2648099800	COIL INDUTOR 2.2UF	2.2uH
L200	2648099800	COIL INDUTOR 2.2UF	2.2uH
PO400	2438009800	POSISTOR P43T4D100BW140(H1)	H1
REF	ITEM_NO	DEFINE	VALUE
PO401	2438009800	POSISTOR P43T4D100BW140(H1)	H1

Q101	S20510405004	2N3906S-RTK	3906
Q102	2028407995	TR NPN MJE15032(MOTOROLA)	MJE15032
Q103	2028107118	TR PNP 2SA1943 TOSHIBA	2SA 1943
Q104	2028107118	TR PNP 2SA1943 TOSHIBA	2SA 1943
Q105	2028107118	TR PNP 2SA1943 TOSHIBA	2SA 1943
Q106	2028107118	TR PNP 2SA1943 TOSHIBA	2SA 1943
Q107	2028107995	TR PNP MJE15033 (MOTOROLA)	MJE15033
Q108	2028407122	TR NPN 2SC5200 TOSHIBA	2SC 5200
Q109	2028407122	TR NPN 2SC5200 TOSHIBA	2SC 5200
Q110	2028407122	TR NPN 2SC5200 TOSHIBA	2SC 5200
Q111	2028407122	TR NPN 2SC5200 TOSHIBA	2SC 5200
Q112	S20560448002	TR NPN 2N3904 SOT23 HSMC	3904
Q113	S20510405004	2N3906S-RTK	3906
Q114	2048209999	FET FQP50N06 (IRFZ44)	IRFZ44
Q115	S20560448002	TR NPN 2N3904 SOT23 HSMC	3904
Q116	S20510405004	2N3906S-RTK	3906
Q117	2048209999	FET FQP50N06 (IRFZ44)	IRFZ44
Q118	2078000810	TRI AC 2N6344A	2N6344A
Q201	S20510405004	2N3906S-RTK	3906
Q202	2028407995	TR NPN MJE15032(MOTOROLA)	MJE15032
Q203	2028107118	TR PNP 2SA1943 TOSHIBA	2SA 1943
Q204	2028107118	TR PNP 2SA1943 TOSHIBA	2SA 1943
Q205	2028107118	TR PNP 2SA1943 TOSHIBA	2SA 1943
Q206	2028107118	TR PNP 2SA1943 TOSHIBA	2SA 1943
Q207	2028107995	TR PNP MJE15033 (MOTOROLA)	MJE15033
Q208	2028407122	TR NPN 2SC5200 TOSHIBA	2SC 5200
Q209	2028407122	TR NPN 2SC5200 TOSHIBA	2SC 5200
Q210	2028407122	TR NPN 2SC5200 TOSHIBA	2SC 5200
Q211	2028407122	TR NPN 2SC5200 TOSHIBA	2SC 5200
Q212	S20560448002	TR NPN 2N3904 SOT23 HSMC	3904
Q213	S20510405004	2N3906S-RTK	3906
Q214	2048209999	FET FQP50N06 (IRFZ44)	IRFZ44
Q215	S20560448002	TR NPN 2N3904 SOT23 HSMC	3904
Q216	S20510405004	2N3906S-RTK	3906
Q217	2048209999	FET FQP50N06 (IRFZ44)	IRFZ44
Q218	2078000810	TRI AC 2N6344A	2N6344A
Q400	S20160402009	TR NPN KST42MTF FSC	KST42
Q401	S20560448002	TR NPN 2N3904 SOT23 HSMC	3904
Q402	S20560448002	TR NPN 2N3904 SOT23 HSMC	3904
Q403	S20510405004	2N3906S-RTK	3906
Q404	S20510405004	2N3906S-RTK	3906
Q405	S20560448002	TR NPN 2N3904 SOT23 HSMC	3904
Q406	S20560448002	TR NPN 2N3904 SOT23 HSMC	3904
Q407	S20560448002	TR NPN 2N3904 SOT23 HSMC	3904
Q408	S20510405004	2N3906S-RTK	3906
Q409	S20510405004	2N3906S-RTK	3906
Q410	2028400882	TR NPN TIP31TU FSC	TIP31C
R100	S30121005230	RES TF 10K F 1/10W 2012	10K 1%
R101	S30121005230	RES TF 10K F 1/10W 2012	10K 1%
R102	S30121005230	RES TF 10K F 1/10W 2012	10K 1%
R103	S30101027231	RES TF 1K 1/10W 2012	1K
R104	S30121005230	RES TF 10K F 1/10W 2012	10K 1%
R105	S30101037231	RES TF 10K 1/10W 2012	10K
R106	S30101547340	RES TF 150K J 3216	150K(3216)
R107	S30103937231	RES TF 39K 1/10W 2012	39K
REF	ITEM_NO	DEFINE	VALUE
R108	S30101017231	RES TF 100 1/10W 2012	100
R109	S30107527230	RES TF 7.5K J 1/10W 2012	7.5K

R110	S30101017231	RES TF 100 1/10W 2012	100
R111	S30108217231	RES TF 820 1/10W 2012	820
R112	S30107507231	RES TF 75 1/10W 2012	75
R113	S30114645340	RES TF 464K F 1% 3216	464K(3216)1%
R114	S30109147340	RES TF 910K J 3216	910K(3216)
R115	S30101227231	RES TF 1.2K 1/10W 2012	1.2K
R116	S30102437231	RES TF 24K 1/10W 2012	24K
R117	S30102437231	RES TF 24K 1/10W 2012	24K
R118	S30108217340	RES TF 820 J 3216	820(3216)
R119	S30104727231	RES TF 4.7K 1/10W 2012	4.7K
R120	S30103917231	RES TF 390 1/10W 2012	390
R121	3032232455-T	RES MO 23.2K 1W FR	23.2K 1% 1W
R122	S30101017231	RES TF 100 1/10W 2012	100
R123	S30108217340	RES TF 820 J 3216	820(3216)
R124	S30108217340	RES TF 820 J 3216	820(3216)
R125	3059622875	RES CE 6.2K 7W JR	6.2K 7WCE
R126	3059622875	RES CE 6.2K 7W JR	6.2K 7WCE
R127	3059622875	RES CE 6.2K 7W JR	6.2K 7WCE
R128	3059622875	RES CE 6.2K 7W JR	6.2K 7WCE
R129	3079220475-T	RES NFR 22 1W JR	FR 22 1W
R130	3059228674	RES CE RGC3 0.22 3W(NOBLE)	0.22 3WCE
R131	3059228674	RES CE RGC3 0.22 3W(NOBLE)	0.22 3WCE
R132	3059228674	RES CE RGC3 0.22 3W(NOBLE)	0.22 3WCE
R133	3059228674	RES CE RGC3 0.22 3W(NOBLE)	0.22 3WCE
R134	3039339475-T	RES MO 3.3 1W JR	3.3 1W
R135	3039159575-T	RES MO 1.5 2W JR	1.5 2W
R136	3039222672	RES MO 2.2K 3W JN	2.2K 3W
R137	3039222672	RES MO 2.2K 3W JN	2.2K 3W
R138	3039222672	RES MO 2.2K 3W JN	2.2K 3W
R139	3079220475-T	RES NFR 22 1W JR	FR 22 1W
R140	3059228674	RES CE RGC3 0.22 3W(NOBLE)	0.22 3WCE
R141	3059228674	RES CE RGC3 0.22 3W(NOBLE)	0.22 3WCE
R142	3059228674	RES CE RGC3 0.22 3W(NOBLE)	0.22 3WCE
R143	3059228674	RES CE RGC3 0.22 3W(NOBLE)	0.22 3WCE
R144	3039339475-T	RES MO 3.3 1W JR	3.3 1W
R145	3039159575-T	RES MO 1.5 2W JR	1.5 2W
R146	3039153475-T	RES MO 15K 1W JR	15K 1W
R147	3079101275	RES ERD-2FCVG 101T 1/4W R	FR 100
R148	3079100275	RES ERD-2FCVG 10T 1/4W R	FR 10
R149	3039569575-T	RES MO 5.6 2W JR	5.6 2W
R150	3039120674	RES MO 12 3W JP	12 3W
R151	3039120674	RES MO 12 3W JP	12 3W
R152	3039120674	RES MO 12 3W JP	12 3W
R153	3039120674	RES MO 12 3W JP	12 3W
R154	S30102027231	RES TF 2K 1/10W 2012	2K
R155	3039123475-T	RES MO 12K 1W JR	12K 1W
R156	S30101547340	RES TF 150K J 3216	150K(3216)
R157	S30101547340	RES TF 150K J 3216	150K(3216)
R158	S30104727231	RES TF 4.7K 1/10W 2012	4.7K
R159	S30104727231	RES TF 4.7K 1/10W 2012	4.7K
R160	S30104747231	RES TF 470K 1/10W 2012	470K
R161	S30135905230	RES TF 5.9K F 1% 2012	5.9K 1%
R162	S30133015230	RES TF 3.01K F 1% 2012	3.01K1%
R163	S30101237231	RES TF 12K 1/10W 2012	12K
REF	ITEM NO	DEFINE	VALUE
R164	S30104707231	RES TF 47 1/10W 2012	47
R165	3039512774	RES CE 5.1K 5W	5.1K 5W
R166	S30102027231	RES TF 2K 1/10W 2012	2K

R167	3039123475-T	RES MO 12K 1W JR	12K 1W
R168	S30101547340	RES TF 150K J 3216	150K(3216)
R169	S30101547340	RES TF 150K J 3216	150K(3216)
R170	S30104737231	RES TF 47K 1/10W 2012	47K
R171	S30104747231	RES TF 470K 1/10W 2012	470K
R172	S30104727231	RES TF 4.7K 1/10W 2012	4.7K
R173	S30104727231	RES TF 4.7K 1/10W 2012	4.7K
R174	S30135905230	RES TF 5.9K F 1% 2012	5.9K 1%
R175	S30102227231	RES TF 2.2K J 1/10W 2012	2.2K
R176	S30104707231	RES TF 47 1/10W 2012	47
R177	3039512774	RES CE 5.1K 5W	5.1K 5W
R178	S30101537231	RES TF 15K 1/10W 2012	15K
R179	S30101537231	RES TF 15K 1/10W 2012	15K
R180	S30102717231	RES TF 270 1/10W 2012	270
R200	S30121005230	RES TF 10K F 1/10W 2012	10K 1%
R201	S30121005230	RES TF 10K F 1/10W 2012	10K 1%
R202	S30121005230	RES TF 10K F 1/10W 2012	10K 1%
R203	S30101027231	RES TF 1K 1/10W 2012	1K
R204	S30121005230	RES TF 10K F 1/10W 2012	10K 1%
R205	S30101037231	RES TF 10K 1/10W 2012	10K
R206	S30101547340	RES TF 150K J 3216	150K(3216)
R207	S30103937231	RES TF 39K 1/10W 2012	39K
R208	S30101017231	RES TF 100 1/10W 2012	100
R209	S30107527230	RES TF 7.5K J 1/10W 2012	7.5K
R210	S30101017231	RES TF 100 1/10W 2012	100
R211	S30108217231	RES TF 820 1/10W 2012	820
R212	S30107507231	RES TF 75 1/10W 2012	75
R213	S30114645340	RES TF 464K F 1% 3216	464K(3216)1%
R214	S30109147340	RES TF 910K J 3216	910K(3216)
R215	S30101227231	RES TF 1.2K 1/10W 2012	1.2K
R216	S30102437231	RES TF 24K 1/10W 2012	24K
R217	S30102437231	RES TF 24K 1/10W 2012	24K
R218	S30108217340	RES TF 820 J 3216	820(3216)
R219	S30104727231	RES TF 4.7K 1/10W 2012	4.7K
R220	S30103917231	RES TF 390 1/10W 2012	390
R221	3032232455-T	RES MO 23.2K 1W FR	23.2K 1% 1W
R222	S30101017231	RES TF 100 1/10W 2012	100
R223	S30108217340	RES TF 820 J 3216	820(3216)
R224	S30108217340	RES TF 820 J 3216	820(3216)
R225	3059622875	RES CE 6.2K 7W JR	6.2K 7WCE
R226	3059622875	RES CE 6.2K 7W JR	6.2K 7WCE
R227	3059622875	RES CE 6.2K 7W JR	6.2K 7WCE
R228	3059622875	RES CE 6.2K 7W JR	6.2K 7WCE
R229	3079220475-T	RES NFR 22 1W JR	FR 22 1W
R230	3059228674	RES CE RGC3 0.22 3W(NOBLE)	0.22 3WCE
R231	3059228674	RES CE RGC3 0.22 3W(NOBLE)	0.22 3WCE
R232	3059228674	RES CE RGC3 0.22 3W(NOBLE)	0.22 3WCE
R233	3059228674	RES CE RGC3 0.22 3W(NOBLE)	0.22 3WCE
R234	3039339475-T	RES MO 3.3 1W JR	3.3 1W
R235	3039159575-T	RES MO 1.5 2W JR	1.5 2W
R236	3039222672	RES MO 2.2K 3W JN	2.2K 3W
R237	3039222672	RES MO 2.2K 3W JN	2.2K 3W
R238	3039222672	RES MO 2.2K 3W JN	2.2K 3W
REF	ITEM NO	DEFINE	VALUE
R239	3079220475-T	RES NFR 22 1W JR	FR 22 1W
R240	3059228674	RES CE RGC3 0.22 3W(NOBLE)	0.22 3WCE
R241	3059228674	RES CE RGC3 0.22 3W(NOBLE)	0.22 3WCE
R242	3059228674	RES CE RGC3 0.22 3W(NOBLE)	0.22 3WCE

R243	3059228674	RES CE RGC3 0.22 3W(NOBLE)	0.22 3WCE
R244	3039339475-T	RES MO 3.3 1W JR	3.3 1W
R245	3039159575-T	RES MO 1.5 2W JR	1.5 2W
R246	3039153475-T	RES MO 15K 1W JR	15K 1W
R247	3079101275	RES ERD-2FCVG 101T 1/4W R	FR 100
R248	3079100275	RES ERD-2FCVG 10T 1/4W R	FR 10
R249	3039569575-T	RES MO 5.6 2W JR	5.6 2W
R250	3039120674	RES MO 12 3W JP	12 3W
R251	3039120674	RES MO 12 3W JP	12 3W
R252	3039120674	RES MO 12 3W JP	12 3W
R253	3039120674	RES MO 12 3W JP	12 3W
R254	S30102027231	RES TF 2K 1/10W 2012	2K
R255	3039123475-T	RES MO 12K 1W JR	12K 1W
R256	S30101547340	RES TF 150K J 3216	150K(3216)
R257	S30101547340	RES TF 150K J 3216	150K(3216)
R258	S30104727231	RES TF 4.7K 1/10W 2012	4.7K
R259	S30104727231	RES TF 4.7K 1/10W 2012	4.7K
R260	S30104747231	RES TF 470K 1/10W 2012	470K
R261	S30135905230	RES TF 5.9K F 1% 2012	5.9K 1%
R262	S30103027231	RES TF 3K 1/10W 2012	3K
R263	S30101237231	RES TF 12K 1/10W 2012	12K
R264	S30104707231	RES TF 47 1/10W 2012	47
R265	3039512774	RES CE 5.1K 5W	5.1K 5W
R266	S30102027231	RES TF 2K 1/10W 2012	2K
R267	3039123475-T	RES MO 12K 1W JR	12K 1W
R268	S30101547340	RES TF 150K J 3216	150K(3216)
R269	S30101547340	RES TF 150K J 3216	150K(3216)
R270	S30104737231	RES TF 47K 1/10W 2012	47K
R271	S30104747231	RES TF 470K 1/10W 2012	470K
R272	S30104727231	RES TF 4.7K 1/10W 2012	4.7K
R273	S30104727231	RES TF 4.7K 1/10W 2012	4.7K
R274	S30135905230	RES TF 5.9K F 1% 2012	5.9K 1%
R275	S30102227231	RES TF 2.2K J 1/10W 2012	2.2K
R276	S30104707231	RES TF 47 1/10W 2012	47
R277	3039512774	RES CE 5.1K 5W	5.1K 5W
R278	S30101537231	RES TF 15K 1/10W 2012	15K
R279	S30101537231	RES TF 15K 1/10W 2012	15K
R280	S30102717231	RES TF 270 1/10W 2012	270
R300	S30126805340	RES TF 68K F 1% 3216	68K(3216)1%
R301	S30126805340	RES TF 68K F 1% 3216	68K(3216)1%
R302	S30126805340	RES TF 68K F 1% 3216	68K(3216)1%
R303	S30126805340	RES TF 68K F 1% 3216	68K(3216)1%
R304	S30133015230	RES TF 3.01K F 1% 2012	3.01K1%
R305	3032232455-T	RES MO 23.2K 1W FR	23.2K 1% 1W
R306	S30101027231	RES TF 1K 1/10W 2012	1K
R307	S30114645340	RES TF 464K F 1% 3216	464K(3216)1%
R308	3039339475-T	RES MO 3.3 1W JR	3.3 1W
R309	S30101017231	RES TF 100 1/10W 2012	100
R310	S30101037231	RES TF 10K 1/10W 2012	10K
R311	S30101037231	RES TF 10K 1/10W 2012	10K
R400	3039120674	RES MO 12 3W JP	12 3W
R401	3039120674	RES MO 12 3W JP	12 3W
REF	ITEM_NO	DEFINE	VALUE
R402	3039683674	RES MO 68K 3W J	68K 3W
R403	S30101037340	RES TF 1M J 3216	1M(3216)
R404	3039683674	RES MO 68K 3W J	68K 3W
R405	S30101037340	RES TF 1M J 3216	1M(3216)
R406	S30103347340	RES TF 330K J 3216	330K(3216)

R407	S30102247231	RES TF 220K 1/10W 2012	220K
R408	S30102027231	RES TF 2K 1/10W 2012	2K
R409	S30101547340	RES TF 150K J 3216	150K(3216)
R410	S30109147340	RES TF 910K J 3216	910K(3216)
R411	S30103347340	RES TF 330K J 3216	330K(3216)
R412	S30102437231	RES TF 24K 1/10W 2012	24K
R413	3039683674	RES MO 68K 3W J	68K 3W
R414	3039683674	RES MO 68K 3W J	68K 3W
R415	S30106827340	RES TF 6.8K J 3216	6.8K(3216)
R416	S30106827340	RES TF 6.8K J 3216	6.8K(3216)
R417	S30104747340	RES TF 470K J 3216	470K(3216)
R418	S30102027231	RES TF 2K 1/10W 2012	2K
R419	3039121575-T	RES MO 120 2W JR	120 2W
R420	S30101037231	RES TF 10K 1/10W 2012	10K
R421	S30101037231	RES TF 10K 1/10W 2012	10K
R422	S30101037231	RES TF 10K 1/10W 2012	10K
R423	S30101037231	RES TF 10K 1/10W 2012	10K
R424	S30104707231	RES TF 47 1/10W 2012	47
R425	S30101017231	RES TF 100 1/10W 2012	100
SP100	4438189710	JACK SPEAKON NL4MD-H(NEUTRIK)	SPEAKON
SP101	4438189710	JACK SPEAKON NL4MD-H(NEUTRIK)	SPEAKON
SP102	4438189810	BINDING POST CL1597XA(CLIFF)	CL1597XA
SW100	4618499210	SW SLIDE JSS4319A(JEIL)	JSS4319A
SW3	4625996611	SW POWER(C1350AT) ARCOLECTRIC	POWER SWITCH
TH100	2438209016	THERMISTOR NTC 5D-600 JPC	60 OHM NTC
TH200	2438209016	THERMISTOR NTC 5D-600 JPC	60 OHM NTC
TH400	2438209760	POWER THERMISTOR NTC-1D-30	1 OHM 30A
TH401	2423000999	SW POLY 50VX110 JX3K-T	1.1A 0.15 OHM
VR100	3248310120-T	RES RH0638C100101	100
VR101	3248322220-T	RES SEMI RH0638C100222	2.2K
VR102	3248322220-T	RES SEMI RH0638C100222	2.2K
VR200	3248310120-T	RES RH0638C100101	100
VR201	3248322220-T	RES SEMI RH0638C100222	2.2K
VR202	3248322220-T	RES SEMI RH0638C100222	2.2K
ZD100	2058510150	DIODE ZENER UZP-15BM(1N4744A)	UZP 15BM_1W
ZD101	2058510150	DIODE ZENER UZP-15BM(1N4744A)	UZP 15BM_1W
ZD102	2058502056	DIODE ZENER UZ-5.6BM(1N5232B)	UZ 5.6BM
ZD103	2058502056	DIODE ZENER UZ-5.6BM(1N5232B)	UZ 5.6BM
ZD104	2058502039	DIODE ZENER 1N5228B 3.9BM	3.9V
ZD105	2058512190	DIODE ZENER 10V 1W(IN4740A)	UZ 10BM/1W
ZD106	2058512150	DIODE ZENER 12V 1W(IN4742A)	12V 1W
ZD200	2058510150	DIODE ZENER UZP-15BM(1N4744A)	UZP 15BM_1W
ZD201	2058510150	DIODE ZENER UZP-15BM(1N4744A)	UZP 15BM_1W
ZD202	2058502056	DIODE ZENER UZ-5.6BM(1N5232B)	UZ 5.6BM
ZD203	2058502056	DIODE ZENER UZ-5.6BM(1N5232B)	UZ 5.6BM
ZD204	2058502039	DIODE ZENER 1N5228B 3.9BM	3.9V
ZD205	2058512190	DIODE ZENER 10V 1W(IN4740A)	UZ 10BM/1W
ZD206	2058512150	DIODE ZENER 12V 1W(IN4742A)	12V 1W
ZD400	2058510150	DIODE ZENER UZP-15BM(1N4744A)	UZP 15BM_1W
ZD401	2058510150	DIODE ZENER UZP-15BM(1N4744A)	UZP 15BM_1W
CN101	4428528122	CON WAFER 22FE-BT-VK-N	
REF	ITEM_NO	DEFINE	VALUE
CN102	4428528122	CON WAFER 22FE-BT-VK-N	
CN103	4428595003	LW5267/LWB0640/2.5MM-03P	
CN401	4355923806	CONNECTOR WAFER 06P(J.ST)	
CN402	4355923806	CONNECTOR WAFER 06P(J.ST)	
CN403	4428595005	LW5267/LWB0640/2.5MM-05P	
	4458999110	FUSE CLIP 5*20	

4225000810-T TEST POINT (NZ0352-001Z)  
7505297320 TR HEAT SINK  
4465998210 TERMINAL(250)PCB TAB  
4255000410 FUSE CLIP 6\*31.8  
4355719203 CON ASS'Y 1P 100MM BLK  
4355716126 CON ASS'Y 2P BLK/WHT 700MM#14

**INPUT(4005179620)**

C601	S35105604331	CAP CE C 56PF 50V J 0805(2012)	56P
C602	S35105604331	CAP CE C 56PF 50V J 0805(2012)	56P
C603	3409247044-T	CAP RG 47UF 25V	47/25
C604	S35105604331	CAP CE C 56PF 50V J 0805(2012)	56P
C605	S35105604331	CAP CE C 56PF 50V J 0805(2012)	56P
C606	3409247044-T	CAP RG 47UF 25V	47/25
C607	3509471130-T	CAP CE SL 470PF 50V J	470P
C608	3509471130-T	CAP CE SL 470PF 50V J	470P
C609	3509471130-T	CAP CE SL 470PF 50V J	470P
C610	3509471130-T	CAP CE SL 470PF 50V J	470P
D601	S22400505002	DIODE KDS135S HIGH VOLT(KEC)	KDS135S
D602	S22400505002	DIODE KDS135S HIGH VOLT(KEC)	KDS135S
D603	S22400505002	DIODE KDS135S HIGH VOLT(KEC)	KDS135S
D604	S22400505002	DIODE KDS135S HIGH VOLT(KEC)	KDS135S
IC601	S21101080002	IC NJM2068M/TE1~4	2068
IC602	S21101080002	IC NJM2068M/TE1~4	2068
JK601	4438090310	JACK COMBINATION CXL F-06L	COMBO
JK602	4408194310	XLR JACK (M) E503A0150N	XLR
JK603	4438090310	JACK COMBINATION CXL F-06L	COMBO
JK604	4408194310	XLR JACK (M) E503A0150N	XLR
R601	S30121005230	RES TF 10K F 1/10W 2012	10K 1%
R602	S30121005230	RES TF 10K F 1/10W 2012	10K 1%
R603	S30121005230	RES TF 10K F 1/10W 2012	10K 1%
R604	S30121005230	RES TF 10K F 1/10W 2012	10K 1%
R605	S30121005230	RES TF 10K F 1/10W 2012	10K 1%
R606	S30121005230	RES TF 10K F 1/10W 2012	10K 1%
R607	S30121005230	RES TF 10K F 1/10W 2012	10K 1%
R608	S30121005230	RES TF 10K F 1/10W 2012	10K 1%
SW600	4618999910	SW SS65010-0203-9H-FN	
SW601	4618999910	SW SS65010-0203-9H-FN	
SW602	4618299110	SW SLIDE JSS2201 S090(JEIL)	JSS2201
SW603	4618299110	SW SLIDE JSS2201 S090(JEIL)	JSS2201
AN101	4428528122	CON WAFER 22FE-BT-VK-N	
	4355719303	CON ASS'Y 1P 100MM BLK	
	6505955520	PCB BKT MX-400	

**VR(4005179610)**

C500	S35104714344	CAP CE470PF 50V J(3216)	470P(3216)
C501	3409210023-T	CAP AF SE 10U/50V 6.4X5 (5MM)	SE10/50
C502	S35104714344	CAP CE470PF 50V J(3216)	470P(3216)
C503	3409210023-T	CAP AF SE 10U/50V 6.4X5 (5MM)	SE10/50
D500	S22400505002	DIODE KDS135S HIGH VOLT(KEC)	KDS135S
D501	S22400505002	DIODE KDS135S HIGH VOLT(KEC)	KDS135S
D502	S22400505002	DIODE KDS135S HIGH VOLT(KEC)	KDS135S

REF	ITEM NO	DEFINE	VALUE
D503	S22400505002	DIODE KDS135S HIGH VOLT(KEC)	KDS135S
D504	S22400505002	DIODE KDS135S HIGH VOLT(KEC)	KDS135S
LD500	2300032105	LED LTL-16KG-021A LITEON	GRN
LD501	2300032105	LED LTL-16KG-021A LITEON	GRN
LD502	2300032105	LED LTL-16KG-021A LITEON	GRN
LD503	2300032105	LED LTL-16KG-021A LITEON	GRN



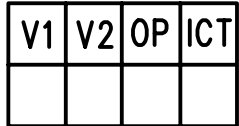
LD504	2300030105	LED LTL-16KHR-021A LITEON	RED
LD505	2300030105	LED LTL-16KHR-021A LITEON	RED
LD506	2300030105	LED LTL-16KHR-021A LITEON	RED
LD507	2300031105	LED LTL-16KY-021A LITEON	YEL
LD508	2300031105	LED LTL-16KY-021A LITEON	YEL
LD509	2300031105	LED LTL-16KY-021A LITEON	YEL
LD510	2300030105	LED LTL-16KHR-021A LITEON	RED
LD511	2300037000	LED OLB530IT-60(BLUE)	BLUE
Q501	S20510405004	2N3906S-RTK	3906
Q502	S20510405004	2N3906S-RTK	3906
Q503	S20510405004	2N3906S-RTK	3906
Q504	S20560448002	TR NPN 2N3904 SOT23 HSMC	3904
Q506	S20510405004	2N3906S-RTK	3906
Q507	S20510405004	2N3906S-RTK	3906
Q508	S20510405004	2N3906S-RTK	3906
Q509	S20560448002	TR NPN 2N3904 SOT23 HSMC	3904
Q510	S20560448002	TR NPN 2N3904 SOT23 HSMC	3904
R500	S30104727231	RES TF 4.7K 1/10W 2012	4.7K
R501	S30104727231	RES TF 4.7K 1/10W 2012	4.7K
R502	S30101027340	RES TF 1K J 3216	1K(3216)
R503	S30104727231	RES TF 4.7K 1/10W 2012	4.7K
R504	S30104727231	RES TF 4.7K 1/10W 2012	4.7K
R505	S30101027340	RES TF 1K J 3216	1K(3216)
R506	S30103927231	RES TF 3.9K 1/10W 2012	3.9K
R507	S30103927231	RES TF 3.9K 1/10W 2012	3.9K
R508	S30103927231	RES TF 3.9K 1/10W 2012	3.9K
R509	S30103927231	RES TF 3.9K 1/10W 2012	3.9K
R510	S30103927231	RES TF 3.9K 1/10W 2012	3.9K
R511	S30103927231	RES TF 3.9K 1/10W 2012	3.9K
R512	S30102717231	RES TF 270 1/10W 2012	270
R513	S30102717231	RES TF 270 1/10W 2012	270
R516	S30104737231	RES TF 47K 1/10W 2012	47K
R517	S30104737231	RES TF 47K 1/10W 2012	47K
R518	S30101527231	RES TF 1.5K 1/10W 2012	1.5K
VR501	3228067100	VR RK09S11F0202-2.5KB	2.5KB
VR502	3228067100	VR RK09S11F0202-2.5KB	2.5KB
ZD501	2058502024	DIODE ZENER 1N5221B 2.4BM	UZ 2.4BM
ZD502	2058502024	DIODE ZENER 1N5221B 2.4BM	UZ 2.4BM
AN100	4428528122	CON WAFER 22FE-BT-VK-N	

ASS'Y			
	4355719500	FLEXIBLE FLAT CABLE 22P 120MM	
	4355719600	FLEXIBLE FLAT CABLE 22P 350MM	
	4355810803	GND TERMINAL ASS'Y (REF-2300)	
	4355716214	CON ASS'Y 1P 300MM #14 1015	
	4355716314	CON ASS'Y 1P 300MM #14 1015	
	4355716415	CON ASS'Y 1P 330MM #14 1015	
	7308997510	DC FAN(3110KL-05W-B70-F04)	
	4625996611	SW POWER(C1350AT) ARCOLECTRIC	
	5568224733	CIRCUIT BREAKER W28-XQ1A-11A	AC220V/230V/240V
	5568224433	CIRCUIT BREAKER W28-XQ1A-20A	AC100V/120V
REF	ITEM NO	DEFINE	VALUE
	2828056500	TRANS POWER L-2400(100V)	
	2828056510	TRANS POWER L-2400(120V)	
	2828056520	TRANS POWER L-2400(220V)	
	2828056530	TRANS POWER L-2400(230V)	
	2828056540	TRANS POWER L-2400(240V)	

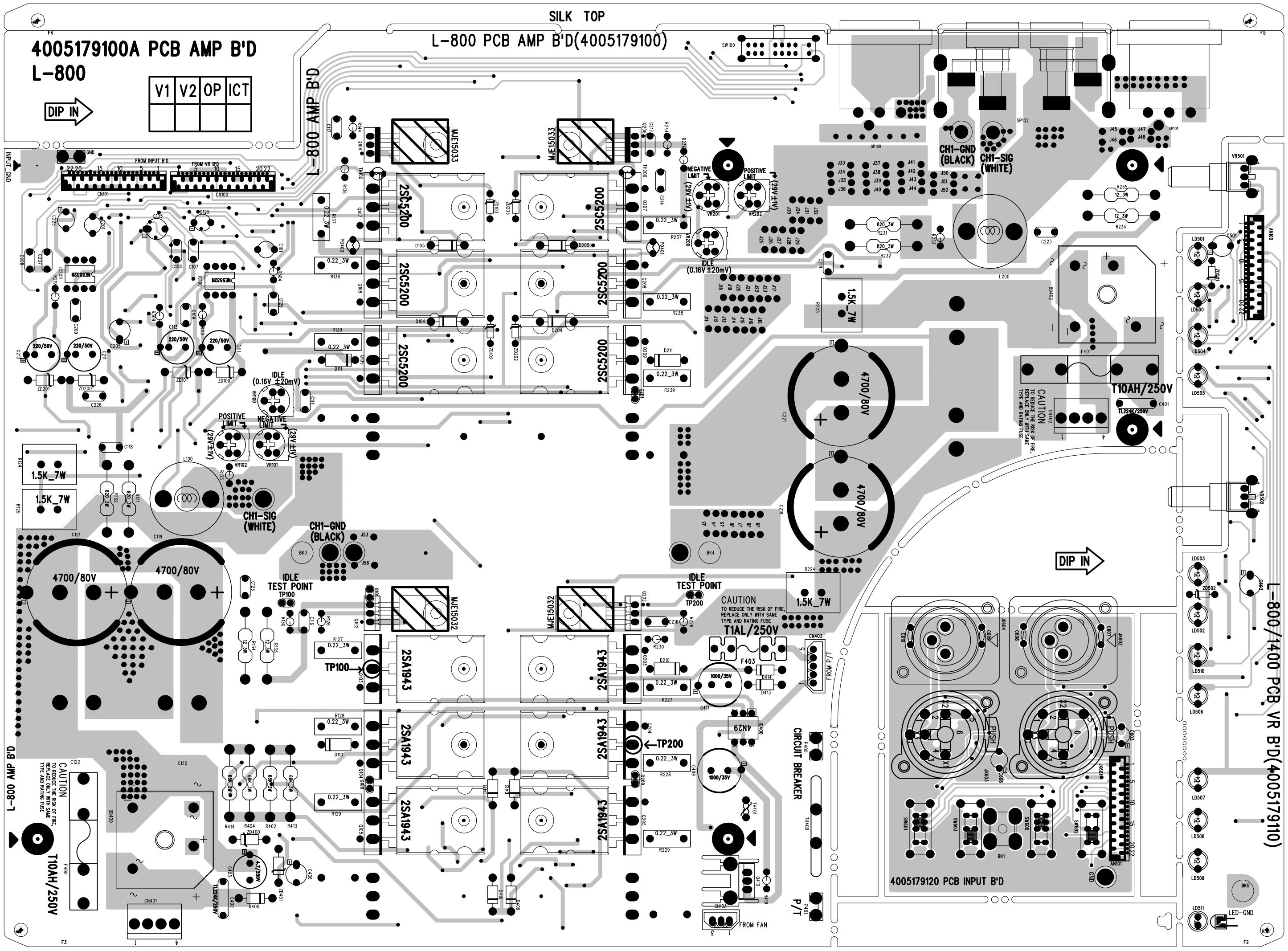
SILK TOP

# 4005179100A PCB AMP B'D L-800

## L-800 PCB AMP B'D(4005179100)



DIP IN



CH1-GND (BLACK)  
CH1-SIG (WHITE)

IDLE (0.16V ±20mV)

IDLE (0.16V ±20mV)

IDLE TEST POINT TP100

IDLE TEST POINT TP200

**CAUTION**  
TO REDUCE THE RISK OF FIRE,  
REPLACE ONLY WITH SAME  
TYPE AND RATING FUSE  
**T1A1/250V**

**CAUTION**  
TO REDUCE THE RISK OF FIRE,  
REPLACE ONLY WITH SAME  
TYPE AND RATING FUSE  
**T10AH/250V**

**CAUTION**  
TO REDUCE THE RISK OF FIRE,  
REPLACE ONLY WITH SAME  
TYPE AND RATING FUSE  
**T10AH/250V**

## L-800/1400 PCB VR B'D(4005179110)

DIP IN

### 4005179120 PCB INPUT B'D

LED-GND



4005179500A PCB AMP B'D  
L-1400

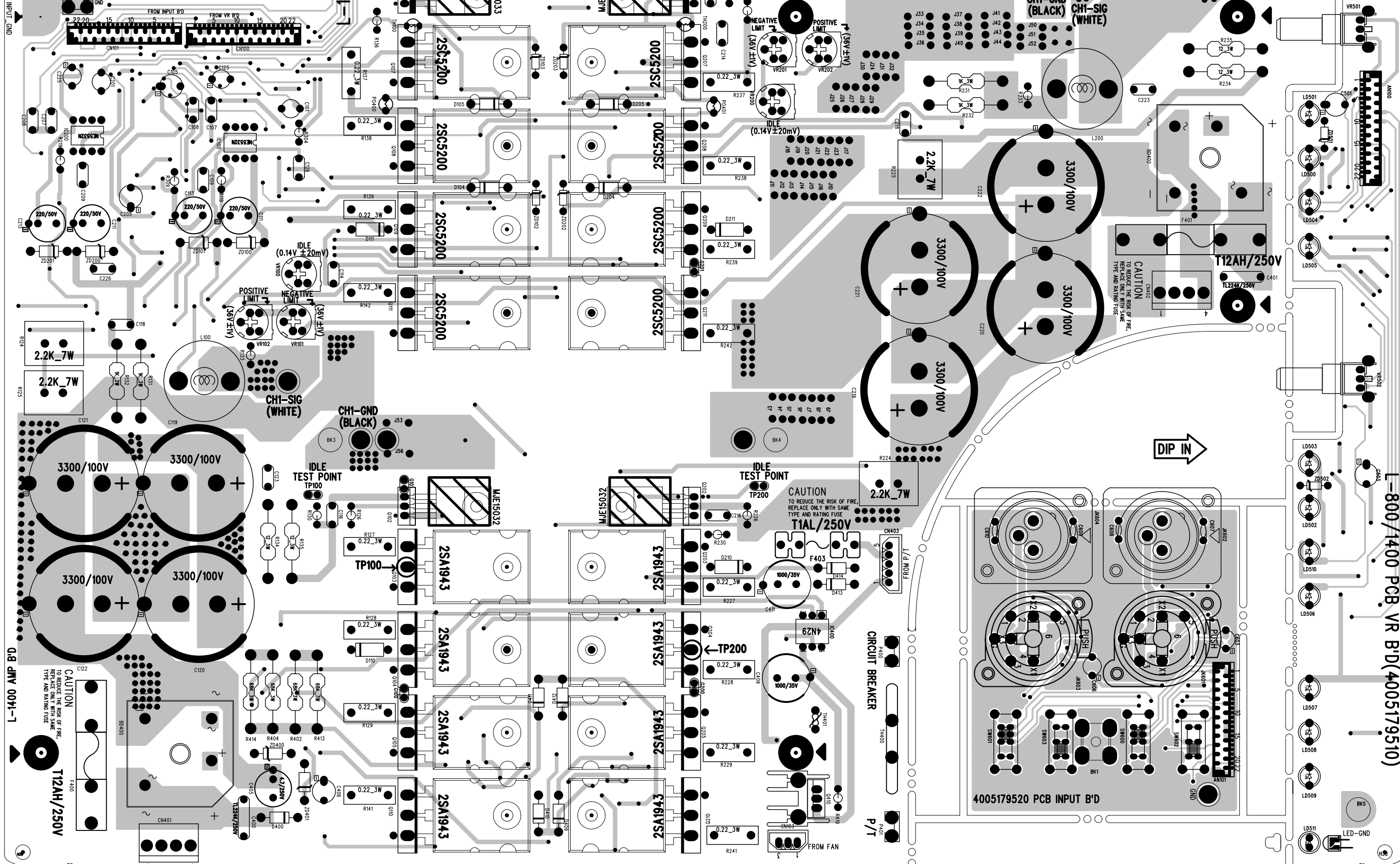
V1	V2	OP	ICT
----	----	----	-----

DIP IN

SILK TOP

L-1400 PCB AMP B'D(4005179500)

L-1400 AMP B'D



CH1-GND (BLACK)  
CH1-SIG (WHITE)

CAUTION  
TO REDUCE THE RISK OF FIRE,  
REPLACE ONLY WITH SAME  
TYPE AND RATING FUSE

CAUTION  
TO REDUCE THE RISK OF FIRE,  
REPLACE ONLY WITH SAME  
TYPE AND RATING FUSE

DIP IN

L-800/1400 PCB VR B'D(4005179510)

4005179520 PCB INPUT B'D

L-1400 AMP B'D

CAUTION  
TO REDUCE THE RISK OF FIRE,  
REPLACE ONLY WITH SAME  
TYPE AND RATING FUSE

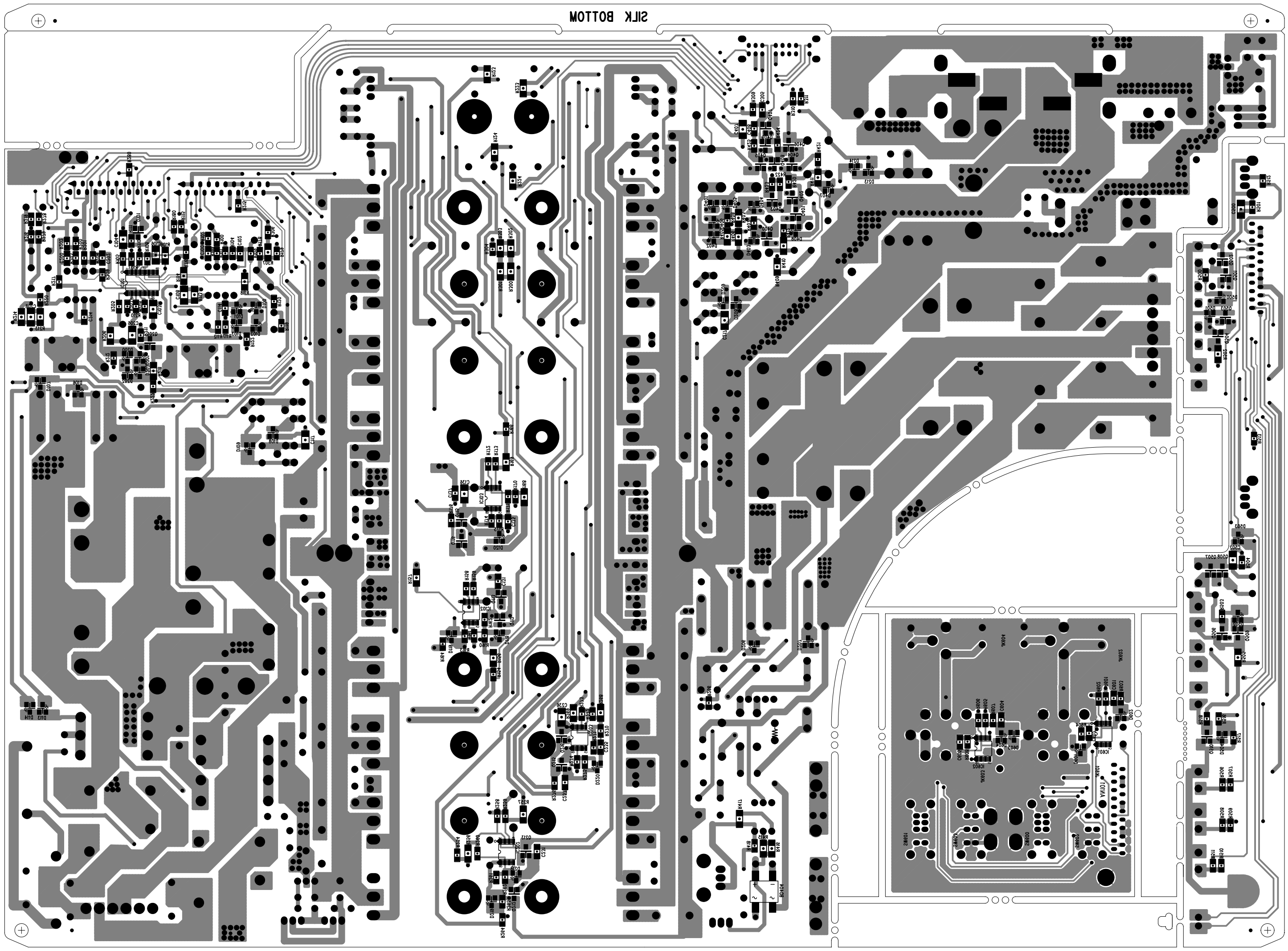
LED-GND







SILK BOTTOM





F4

SILK TOP

F3

4005179600A PCB AMP B'D  
L-2400

V1	V2	OP	ICT

DIP IN

L-2400 PCB AMP B'D (4005179600)

L-2400 AMP B'D

CH1-GND (BLACK)  
CH1-SIG (WHITE)

12000/63V

12000/63V

12000/63V

12000/63V

12000/63V

12000/63V

12000/63V

12000/63V

L-2400 AMP B'D

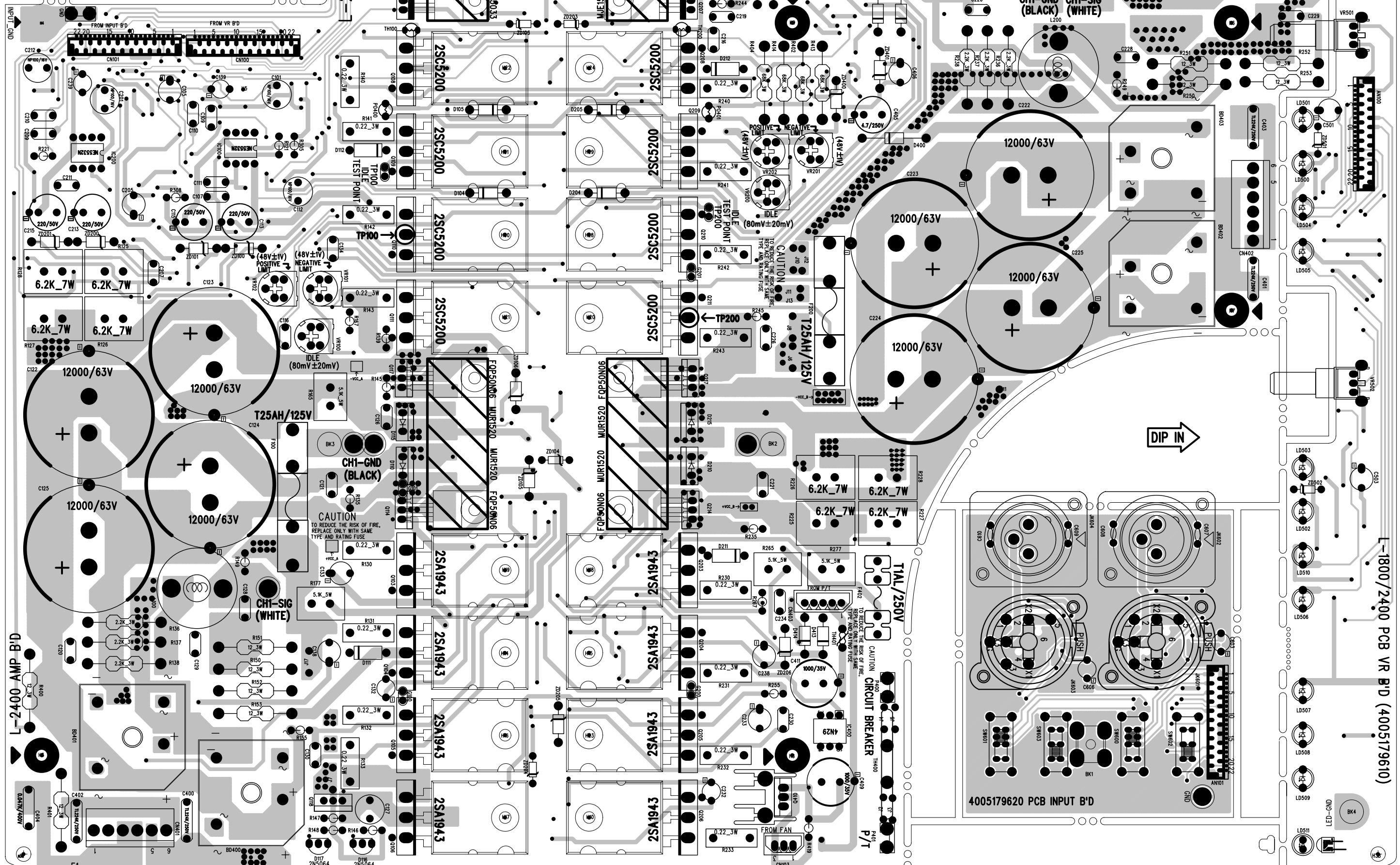
DIP IN

L-1800/2400 PCB VR B'D (4005179610)

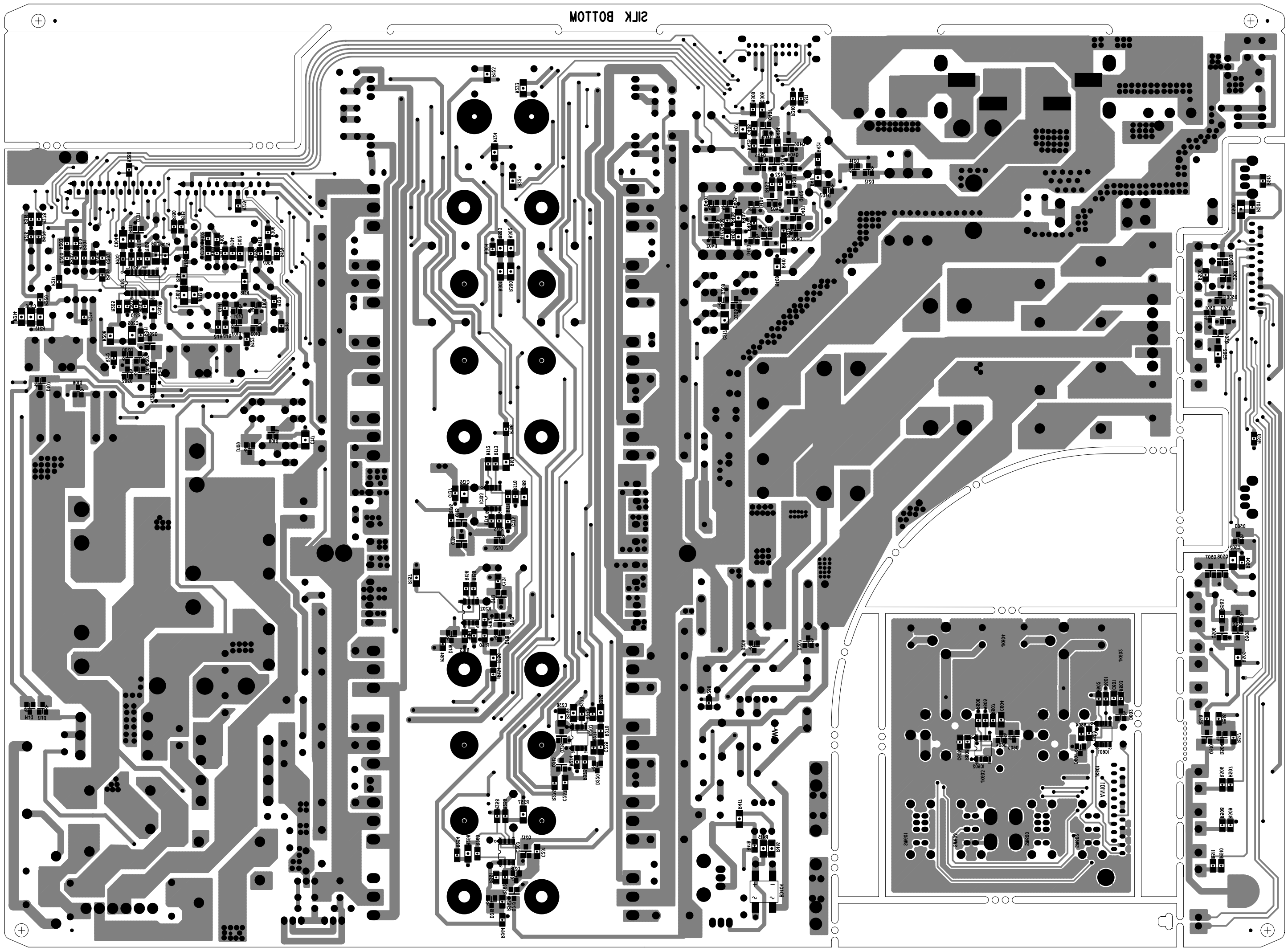
4005179620 PCB INPUT B'D

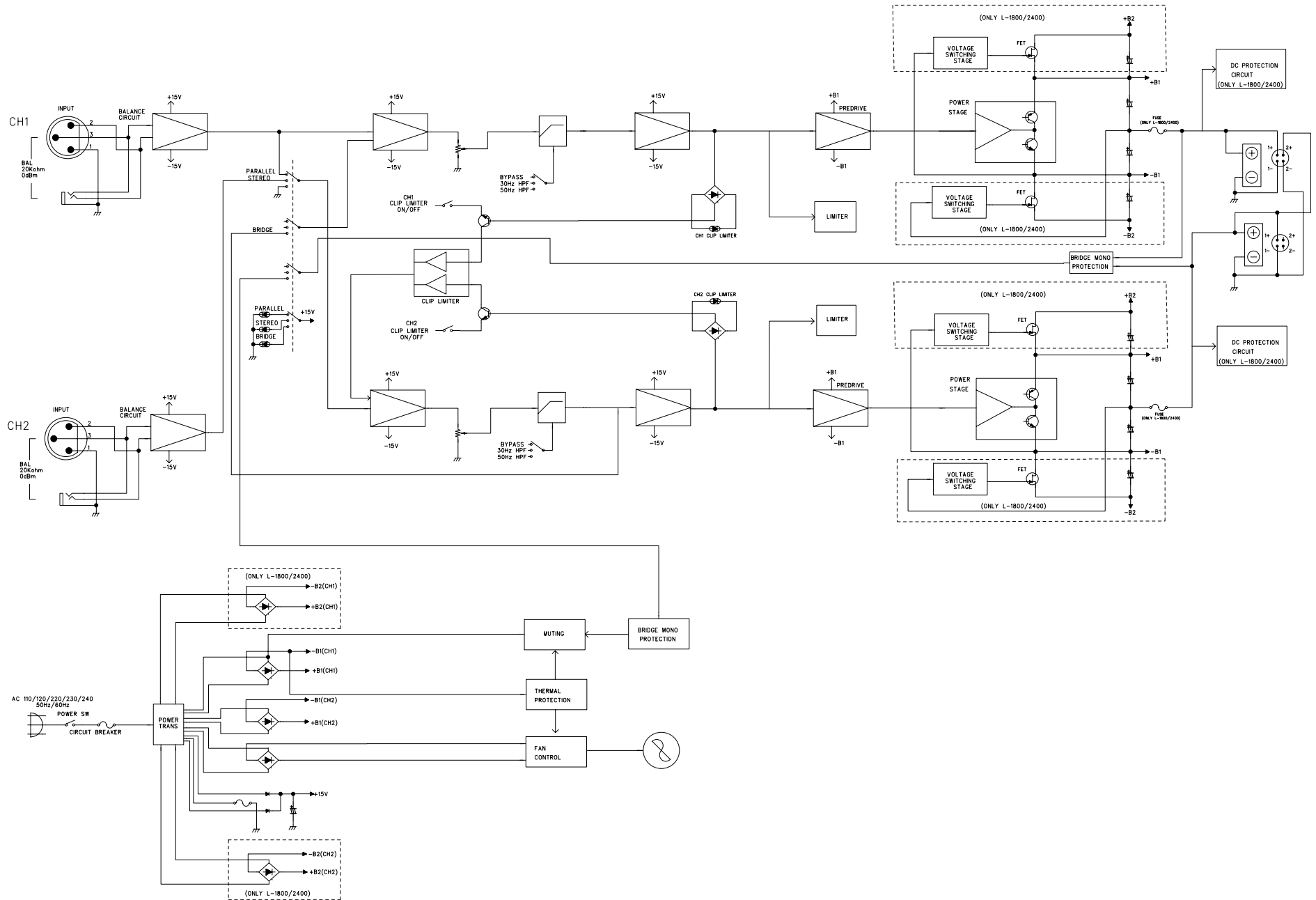
LED-GND

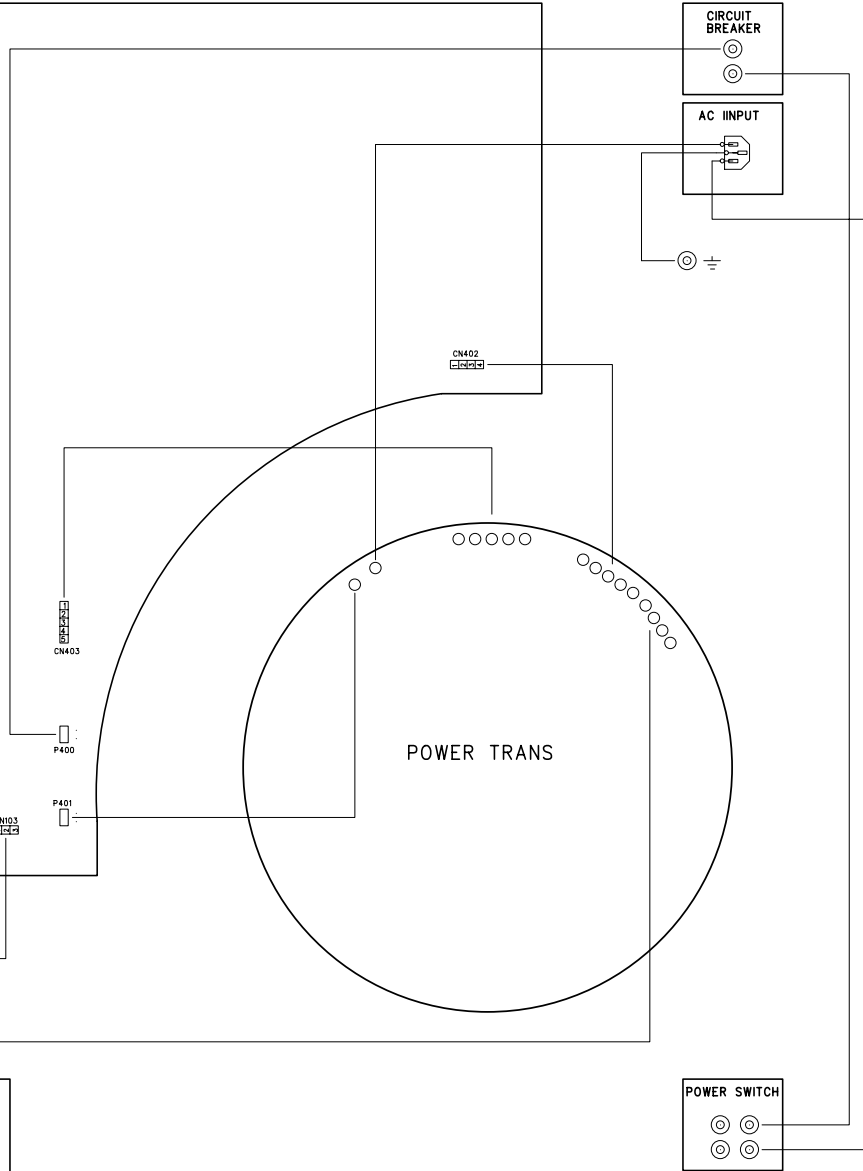
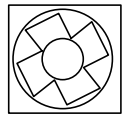
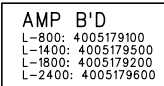
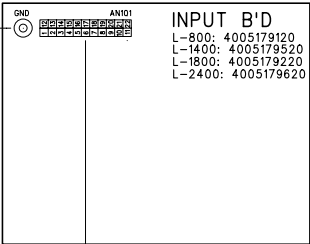
F2



SILK BOTTOM

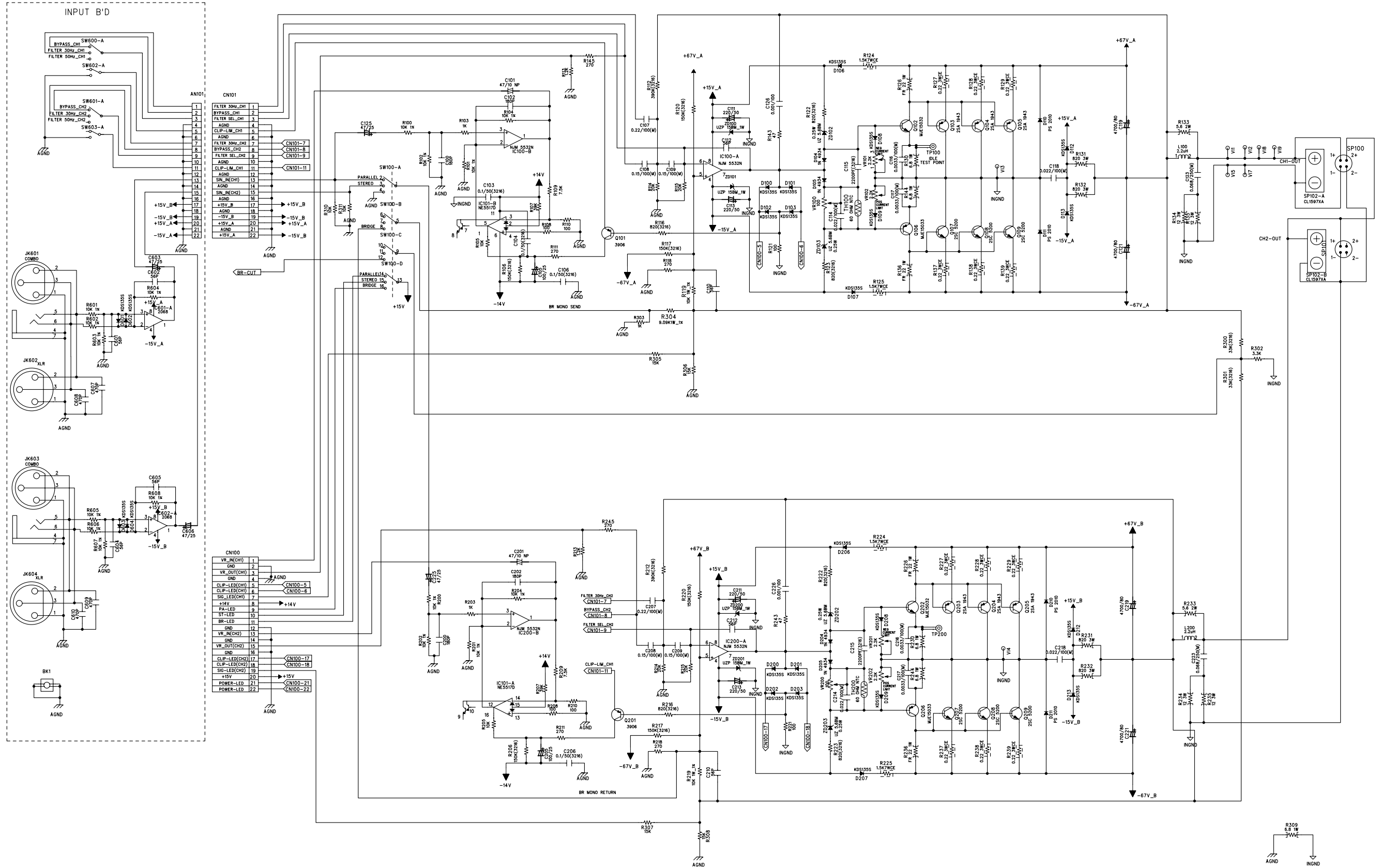




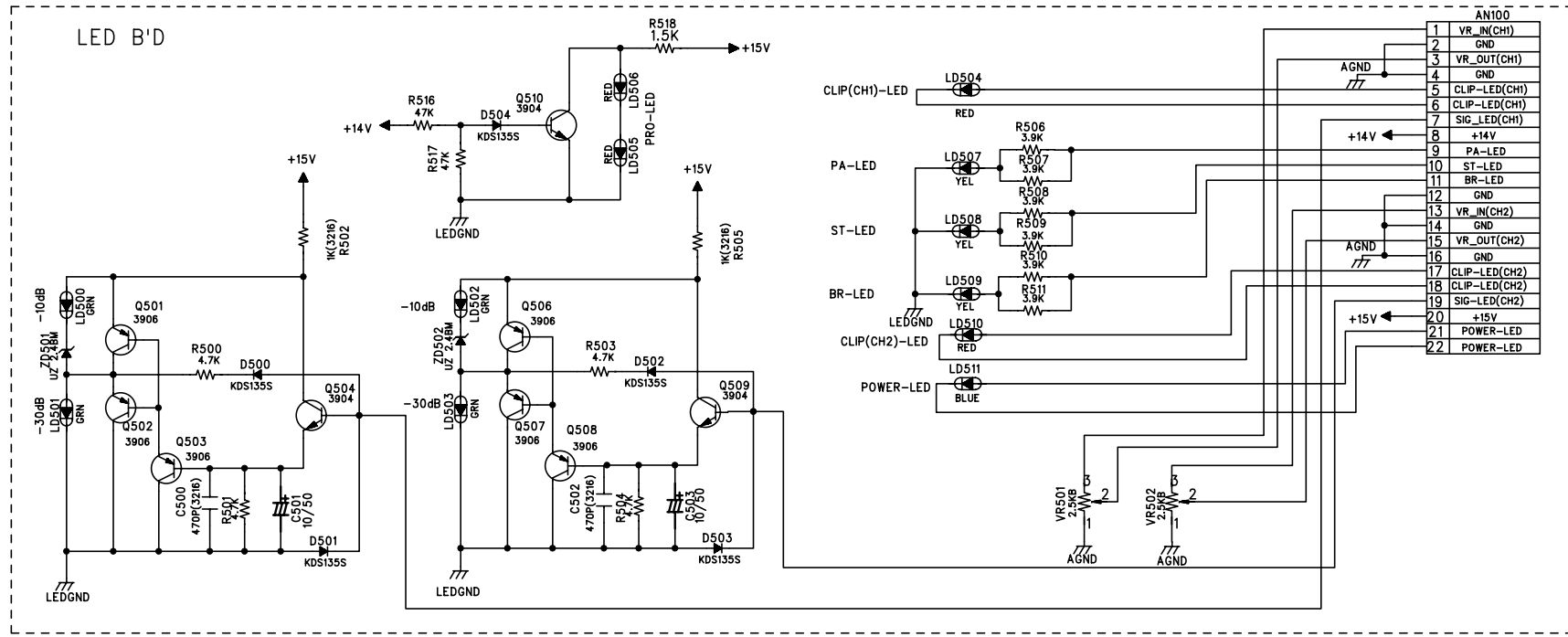
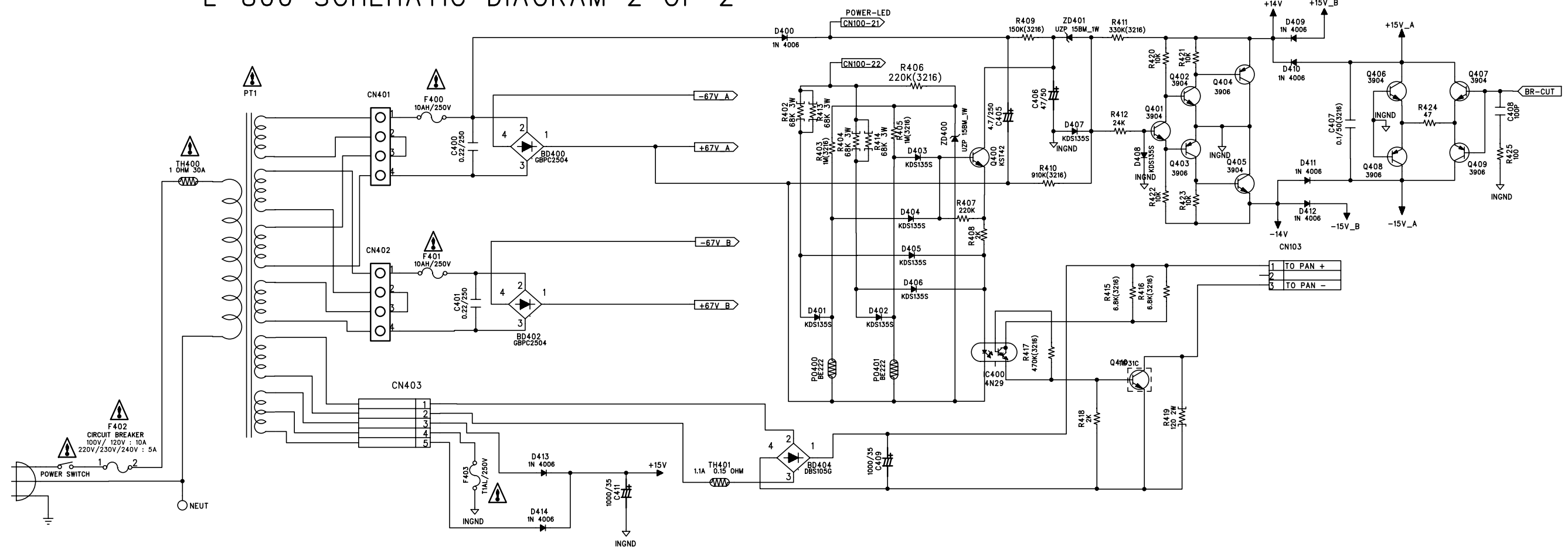


# L-800 SCHEMATIC DIAGRAM 1 OF 2

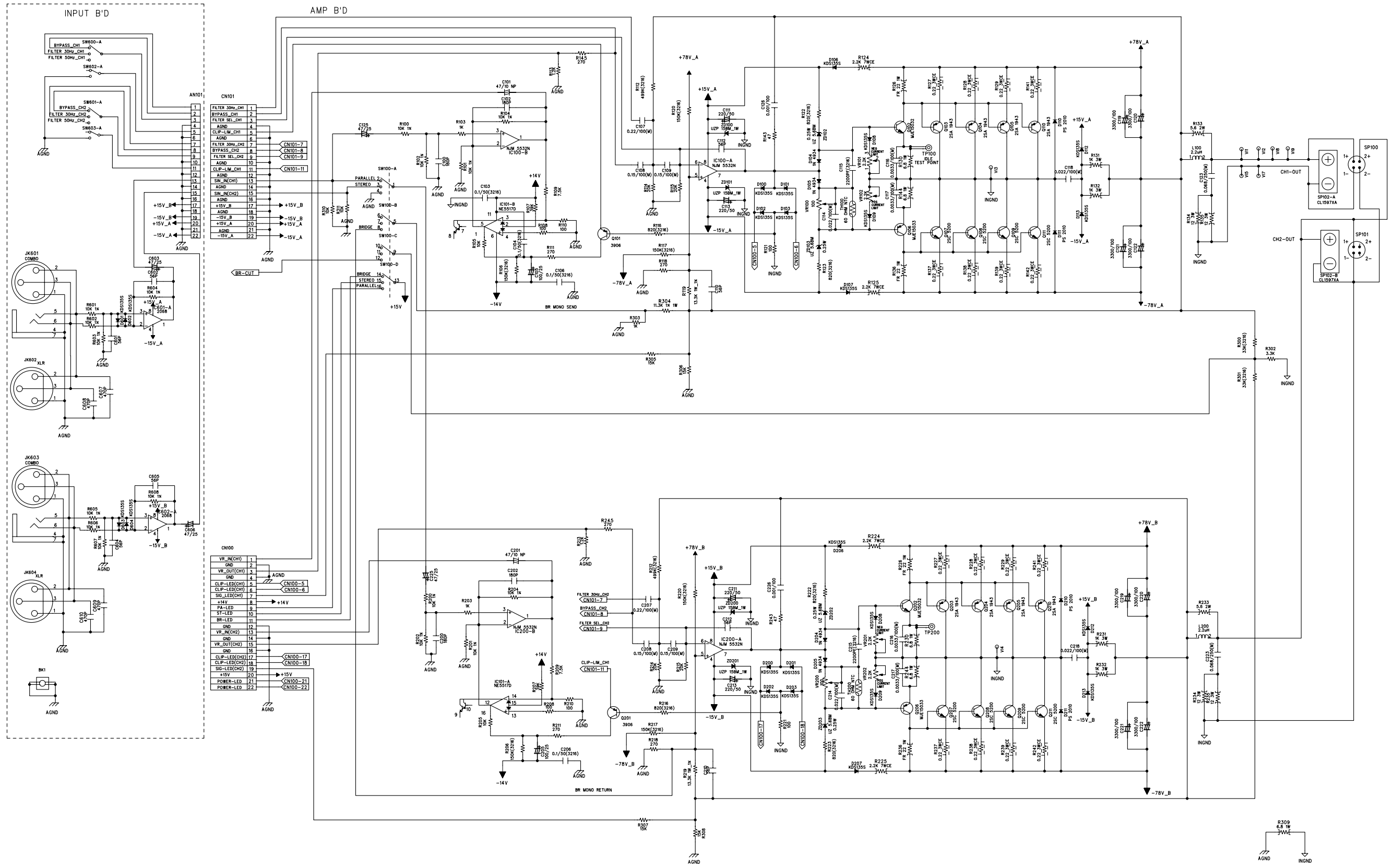
## AMP



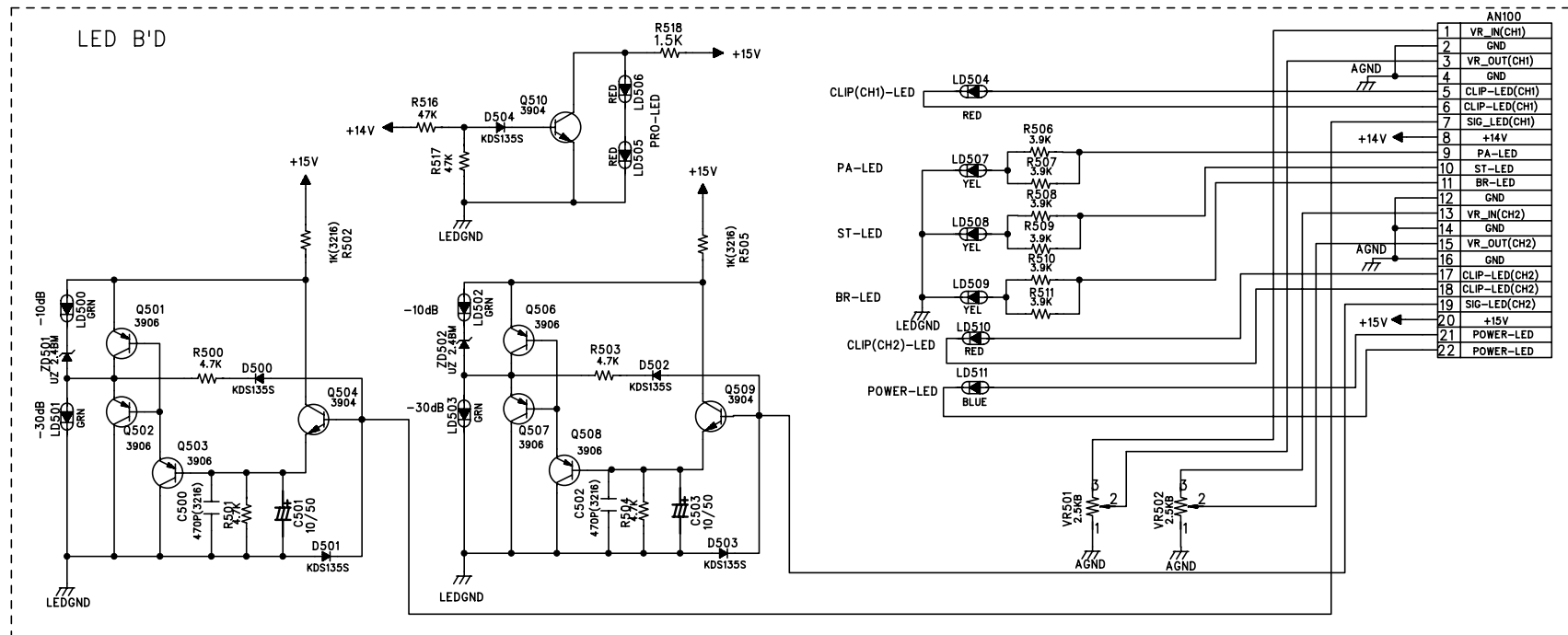
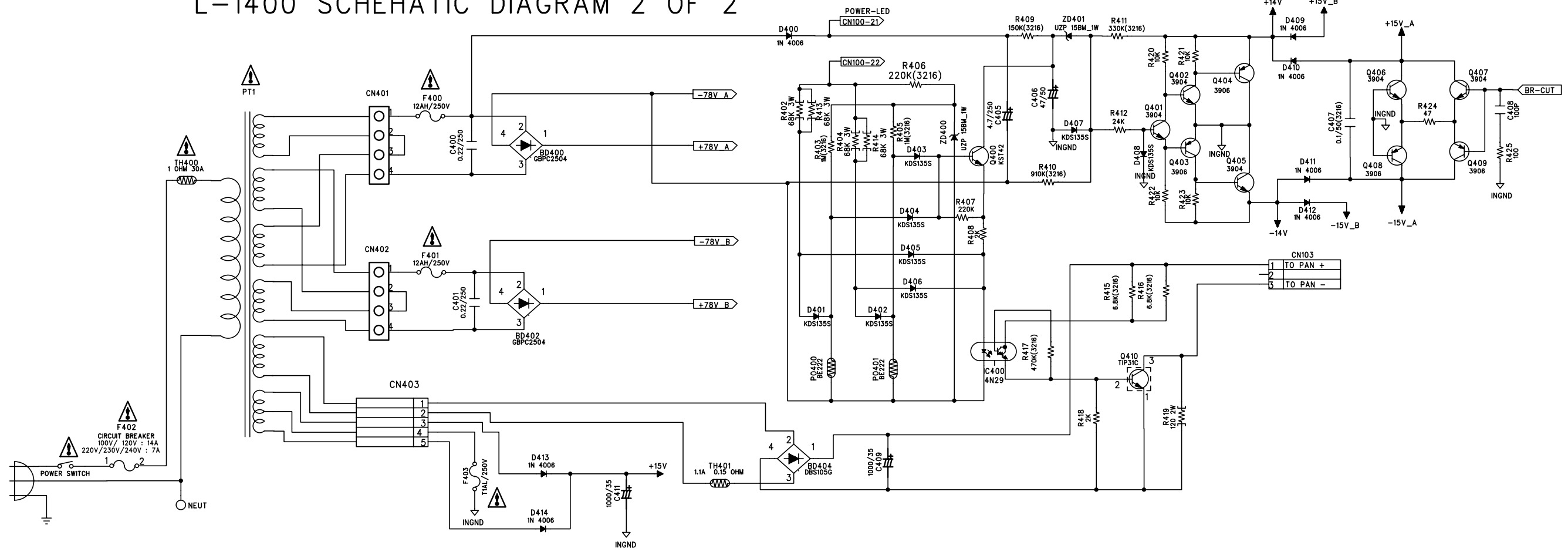
# L-800 SCHEHATIC DIAGRAM 2 OF 2



L-1400 SCHEMATIC DIAGRAM 1 OF 2



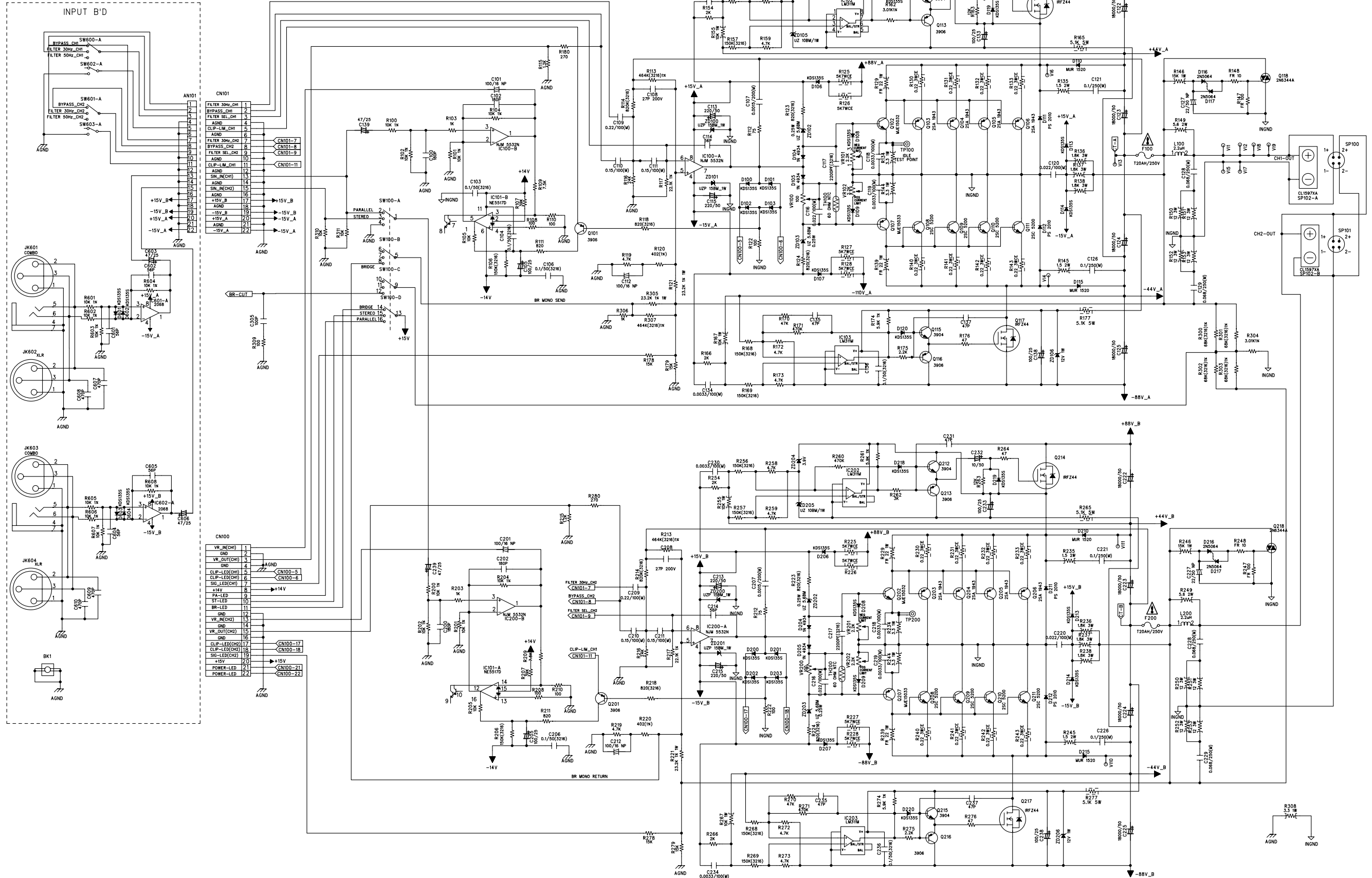
# L-1400 SCHEHATIC DIAGRAM 2 OF 2





# L-1800 SCHEMATIC DIAGRAM 1 OF 2

AMP B'D



INPUT B'D

AN101

CN101

CN100

CN101-11

CN100-11

CN100-17

CN100-18

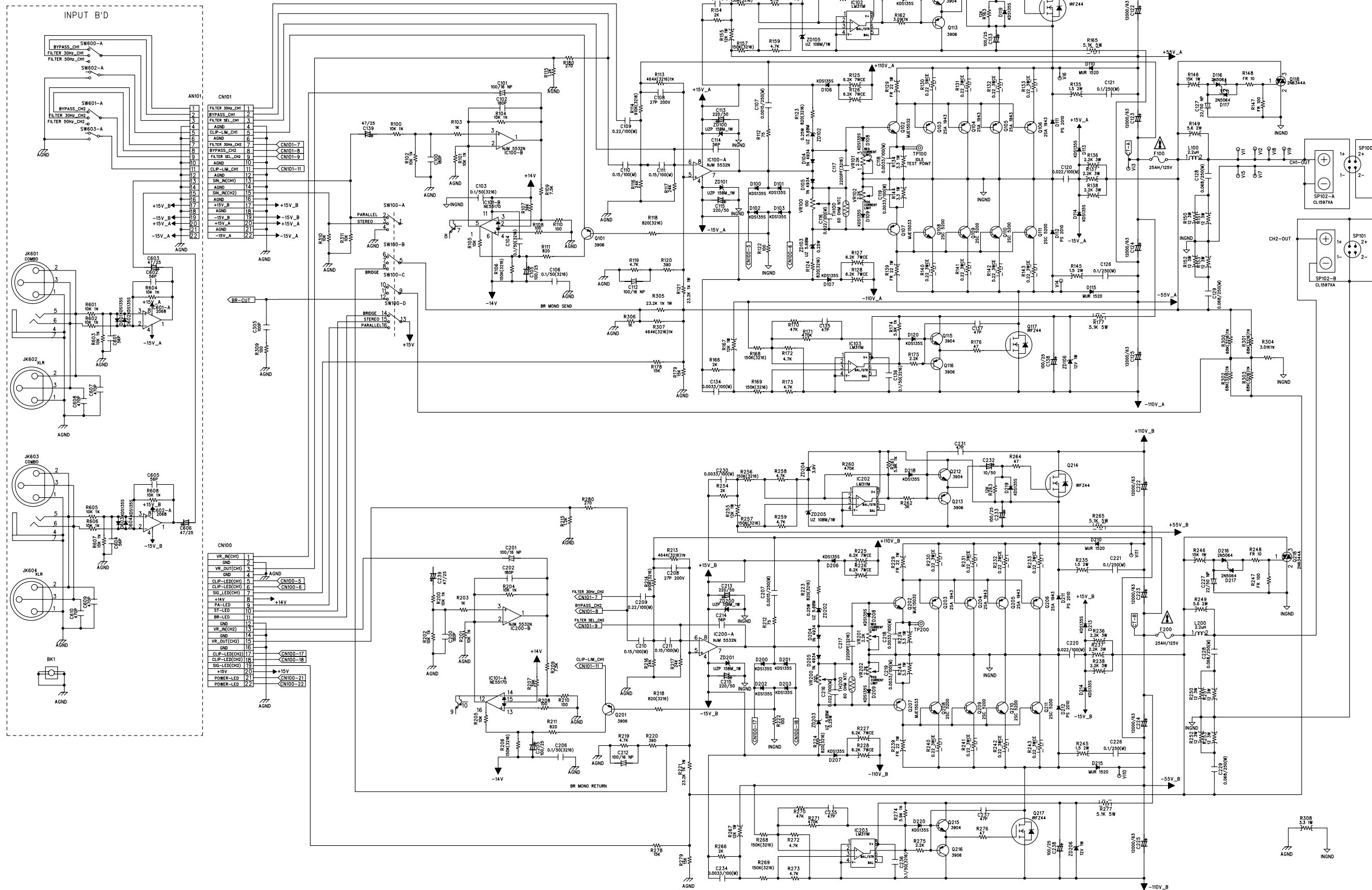
CN100-21

CN100-22

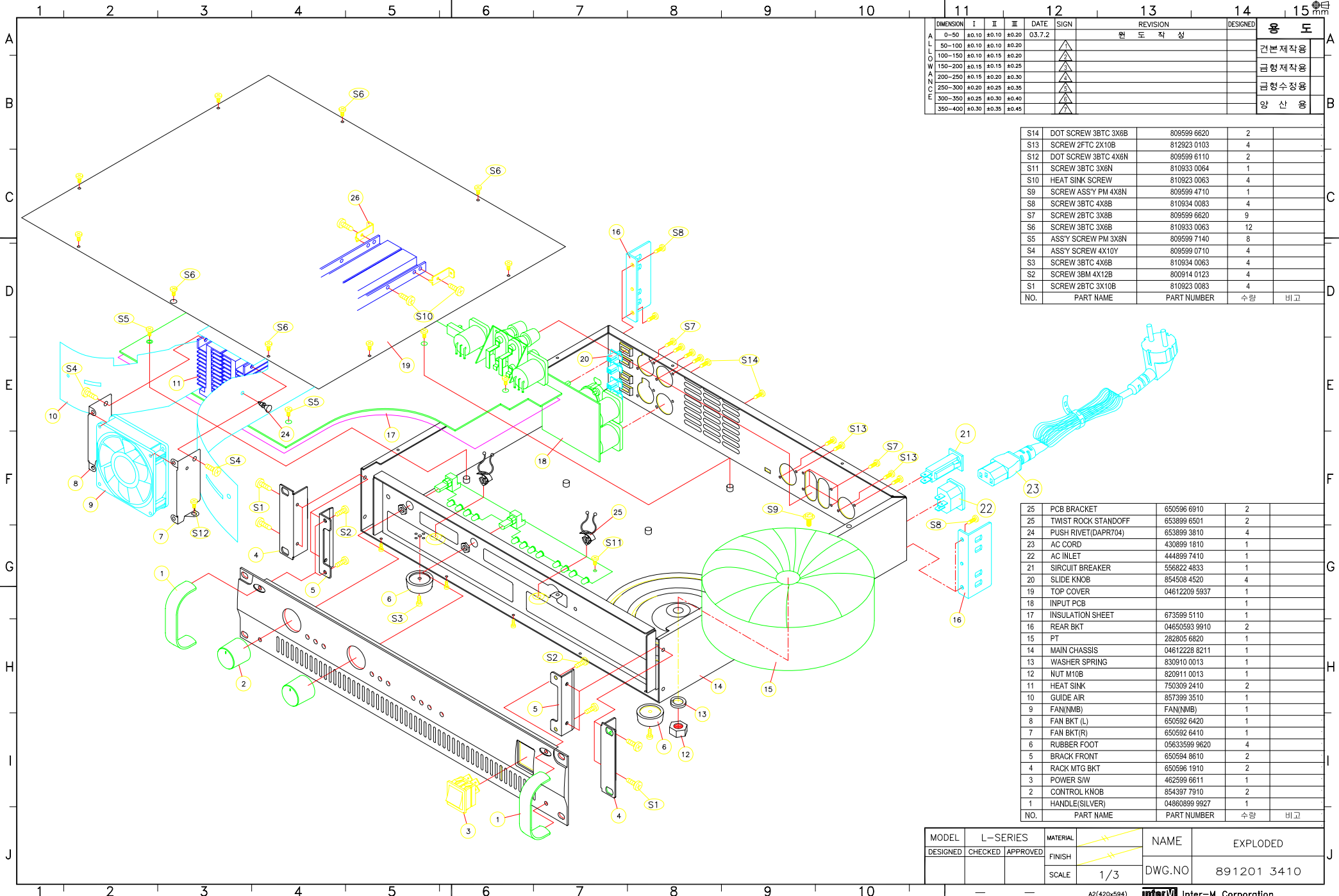


# L-2400SCHEMATIC DIAGRAM 1 OF 2

AMP B'D







DIMENSION	TOLERANCE			DATE	SIGN	REVISION	DESIGNED	용도
	I	II	III					
0~50	±0.10	±0.10	±0.20	03.7.2		원도작성		건본제작용
50~100	±0.10	±0.10	±0.20		▲			금형제작용
100~150	±0.10	±0.15	±0.20		▲			금형수정용
150~200	±0.15	±0.15	±0.25		▲			
200~250	±0.15	±0.20	±0.30		▲			
250~300	±0.20	±0.25	±0.35		▲			
300~350	±0.25	±0.30	±0.40		▲			
350~400	±0.30	±0.35	±0.45		▲			

NO.	PART NAME	PART NUMBER	수량	비고
S14	DOT SCREW 3BTC 3X6B	809599 6620	2	
S13	SCREW 2FTC 2X10B	812923 0103	4	
S12	DOT SCREW 3BTC 4X6N	808599 6110	2	
S11	SCREW 3BTC 3X8N	810933 0064	1	
S10	HEAT SINK SCREW	810923 0063	4	
S9	SCREW ASSY PM 4X8N	808599 4710	1	
S8	SCREW 3BTC 4X8B	810934 0083	4	
S7	SCREW 2BTC 3X8B	808599 6620	9	
S6	SCREW 3BTC 3X6B	810933 0063	12	
S5	ASSY SCREW PM 3X8N	808599 7140	8	
S4	ASSY SCREW 4X10Y	808599 0710	4	
S3	SCREW 3BTC 4X6B	810934 0063	4	
S2	SCREW 3BM 4X12B	800914 0123	4	
S1	SCREW 2BTC 3X10B	810923 0083	4	

25	PCB BRACKET	650596 6910	2	
25	TWIST ROCK STANDOFF	653899 6501	2	
24	PUSH RIVET(DAPR704)	653899 3810	4	
23	AC CORD	430899 1810	1	
22	AC INLET	444899 7410	1	
21	CIRCUIT BREAKER	556822 4833	1	
20	SLIDE KNOB	854508 4520	4	
19	TOP COVER	04612209 5937	1	
18	INPUT PCB		1	
17	INSULATION SHEET	673599 5110	1	
16	REAR BKT	04650583 9910	2	
15	PT	282805 6820	1	
14	MAIN CHASSIS	04612228 8211	1	
13	WASHER SPRING	830910 0013	1	
12	NUT M10B	820911 0013	1	
11	HEAT SINK	750309 2410	2	
10	GUIDE AIR	857399 3510	1	
9	FAN(NMB)	FAN(NMB)	1	
8	FAN BKT (L)	650592 6420	1	
7	FAN BKT(R)	650592 6410	1	
6	RUBBER FOOT	05633599 9620	4	
5	BRACK FRONT	650594 8610	2	
4	RACK MTG BKT	650596 1910	2	
3	POWER SW	462599 6611	1	
2	CONTROL KNOB	854397 7910	2	
1	HANDLE(SILVER)	04860899 9927	1	

MODEL	L-SERIES		MATERIAL	NAME	EXPLODED
DESIGNED	CHECKED	APPROVED	FINISH	DWG.NO	891201 3410
			SCALE	1/3	