

SERVICE MANUAL

S Y S T E M 8 X 8 A U D I O

MATRIX

PX/RM/LM-8000

interM

www.inter-m.com
MADE IN KOREA

interM

SPECIFICATIONS

0dB = 1Vrms

		PX-8000	RM-8000	LM-8000
Audio Output		0dB(Balanced)		
Audio Input	Paging & RM/MIC & LM/MIC	-50dB(Balanced)		
	BGM(Main & Local)	-10dB(Balanced)		
Tone Control (100Hz & 10kHz)	Paging MIC	± 10dB		
	Audio Output	± 12dB		
Frequency Response	BGM (60Hz ~ 15kHz)	± 3dB		
	MIC (100Hz ~ 10kHz)	± 3dB		
S/N	BGM	Better than 75dB		
	MIC	Better than 65dB		
T.H.D.	BGM	Less than 0.05%		
	MIC	Less than 0.05%		
Priority Control		Paging MIC > DRP > RM1 > RM2> RM3> RM4 > LM-8000 > Main BGM		
Phantom Power		DC 24V		
Serial Interface (RS-422)	Communication Speed	9600bps		
	Communication Distance	Maximum 300m (UTP CAT5)		
Operation Temperature		-10° C ~ +40° C		
Power Source		100-120VAC or 220-240VAC; 50/60Hz (Supplied AC mains transformer depends on country requirements)		
Power Consumption		60W	-	-
Weight (SET)		7.5kg/16lb	1.5kg/3.2lb	130g/0.28lb
Dimensions (SET)		482(W)x132(H)x380(D)mm 19(W)x5.2(H)x1.5(D)in	200(W)x70(H)x206(D)mm 7.9(W)x2.8(H)x8.1(D)in	70(W)x114(H)x52(D)mm 2.8(W)x4.5(H)x2.0(D)in

* Specifications and design are subject to change without notice.

CONTENTS

Specifications	1
Electrical Parts List	2~ 8
Top and Bottom View of P.C.Board	8~ 22
Wiring Diagram	23~ 24
Block Diagram	25~ 26
Schematic Diagram	27~ 44
Exploded View of Cabinet & Chassis / Mechanical Parts List	45~ 50

ELECTRICAL PARTS LIST (PX-8000)

Ref.	Part No.	Description	Value
MAIN B'D 4000001900			
Q1 Q10	2008606998-T	TR,SG,NPN,300mA,20V,KTD1302,TO-92,TA	KTD1302
Z1	2058500973	DIODE,ZN,500mW,BM,4.7V,DO-35,TA	4.7BM
IC140	2118080436	IC,POW AMP,5W,8ohm,LM384N,DIP14	LM384
IC95 IC107	2128220000	IC,UNID 2981 ALLEGRO	UNID2981
IC85	2138040000	IC,EEPROM,M93C46-WBN6P,DIP8	M93C46-WBN
L4	2698010000	COIL,FER,TOROID,500UH	500uH
R2-3 R26 R73	3039100575-T	RES,MF,10,2W,5%,RA,R,TA	10 2W
R75-80			10K
R25	3039101575-T	RES,MF,100,2W,5%,RA,R,TA	100 2W
R28-29 R467	3096103991	RES,ARY,10K,1/5W,5%,PULL,8U,SIP9	10K
R477			20KA
VR50-57	3228067300	VR,ROT,HOR,1U,L20,20KA	2200/50
C48	3408222271	CAP,E,SM,SG,85C,2200uF,50V,M,18P	470/35
C837	3408247169	CAP,E,SM,SG,85C,470uF,35V,M,10x20	10/50
C24 C26 C28	3409210071-T	CAP,E,SM,SG,85C,10uF,50V,M,SP,TA	
C30-C2 C34 C36			
C38 C40 C93-94			
C478 C502 C603			
C606 C614 C647			
C650 C657 C665			
C668 C675 C683			
C686 C693 C701			
C704 C711 C719			
C722 C729 C737			
C740 C747 C755			
C758 C765 C860			
C1-10 C608	3409222071-T	CAP,E,SM,SG,85C,22uF,50V,M,SP,TA	22/50
C616-617 C620			
C652 C659-660			
C663 C670			
C677-678 C681			
C688 C695-696			
C699 C706			
C713-714 C717			
C724 C731-732			
C735 C742			
C749-750 C753			
C760 C767-768			
C771 C797 C799			
C801 C803 C805			
C807 C809 C811			
C835 C840-842			
C863			
C43-45 C58 C61	3409222141-T	CAP,E,SM,SG,85C,220uF,25V,J,8P,TA	220/25
C65			
C55	3409222171-T	CAP,E,SM,SG,85C,220uF,50V,M,10P,TA	220/50
C95 C289 C865	3409247071-T	CAP,E,SM,SG,85C,47uF,50V,M,6P,TA	47/50
C23 C25 C27	3409247971-T	CAP,E,SM,SG,85C,4.7uF,50V,M,SP,TA	4.7/50
C29 C33 C35			
C37 C39 C92			
C867			
C11-13 C15-16	3409247973-T	CAP,E,SM,SE,85C,4.7uF,50V,M,TA	4.7/50
C21 C41-42			
C838	3609104122-T	CAP,FILM,POLYESTR,SM,0.1uF,100V,J,TA	0.1/100(M)
C97	3609563120-T	CAP,FILM,POLYESTR,0.056uF,100V,J,TA	0.056/100(M)
X2	3938000964	X-TAL,8.000MHZ,30ppm,HC-49/S	8MHz
CN3	4350026500	CON ASSY,FL,12P,5264,BH0640,80MM	ASSY-12P
TER9	4408193009	TERMINAL,BLOCK(M),9P,3.81MM,AN	TERMINAL09P
JK9	4428592510	CON WAFER,BOX(M),10P,2/ST	TPH1419-10P
CN15	4428592520	CON WAFER,BOX(M),20P,2/ST	TPH1419-20P
CN2	4428592526	CON WAFER,BOX(M),26P,2/ST	TPH1419-26P
CN7	4428592530	CON WAFER,BOX(M),30P,2/ST	TPH1419-30P
CN5 CN1+6	4428592540	CON WAFER,BOX(M),40P,2/ST	TPH1419-40P
AN109	4428595002	CON WAFER,BOX(M),2P,ST	LWS267-02P
CN4	4428595009	CON WAFER,BOX(M),9P,ST	LWS267-09P
CN13	4428595010	CON WAFER,BOX(M),10P,ST	LWS267-10P
JK1-8	4438095310	JACK,RCA,2U,2P,2/AN	RCA02P
JK102	4438191900	JACK,DSUB(M),1U,25P,2/AN	D-SUB25P
JK101	4438191910	JACK,DSUB(F),1U,25P,ST	D-SUB25P(F)
SW111	4628981610	SW,SLIDE,HOR,DPDT,5L6	JSS-2208A
RLY1-2	5528099410	RELAY,DPDT,5V,1A,125VAC,ATQ209 5V	SV
Q2-9	520560240001	TR,SG,NPN,150mA,50V,25C4081Y,SC-70,TA	25C4081
IC98 IC125-132	521100010000	IC,MUX,8,1,DG408DY2,SOIC16	DG408DY2

Ref.	Part No.	Description	Value
IC138	52110001100	IC_REC/PLAY,APR9600,SOP28	APR 9600
IC20	52110001200	IC_OP AMP,QUAD,LM324MT,TSSOP 14P	LM324
IC23-24	521101080002	IC_OP AMP,NJM2068M,SOP8	NJM2068M
IC1-4 IC10-19			
IC21-22 IC66			
IC133-136			
IC139			
IC160	52120001000	IC_MCU,ATMEL,AT89552,TQFP44	AT89552
IC66	52122524001	IC_DEMUX,74HC154,SOP24	74HC154D
IC7-9	521250107701	IC_AND GATE,74HC08,SOP14	74HC08
IC148	521250704801	IC_NAND GATE,74HC00,SOP14	74HC00
IC97	521281169601	IC_ADC,AD7819YR,SOP16	AD7819YR
IC89 IC96	52130003400	IC_TRANSCEIVER,74HCT245,TSSOP20P	74HCT245
IC149-150			
IC203-204	52150000400	IC_SW,QUAD SPST,ADG1311,TSSOP16P	ADG1311
IC25-26	52150000500	IC_SW,QUAD SPST,ADG1312,TSSOP16P	ADG1312
IC201-202			
IC5-4 IC29	52150000600	IC_D-FF,74HCT574,TSSOP20P	74HCT574
IC92-94 IC104			
IC137 IC146			
IC151-159	52150000700	IC_SHIFT REGISTER,74HC595D,SOIC16	74HC595D
IC87	52150000900	IC_RESET,DS1232LPU,SOP	DS1232LPU
IC144	52170000200	IC_MELODY,CHIME8EM,HT86144,SOP28	HT86144
D21 D49	522100500001	DIODE,SW,200mA,100V,MMBD4148,SOT-23,TA	1N4148
D1-20 D22-35	522400505001	DIODE,SW,1A,85V,KDS226,SOT-23,TA	KDS226
L2-3	526103312990	COIL,FER,RADIAL,330uH,TA	330uH
R169 R171	S30100007121	RES,TF,0,1/16W,5%,1608	0
R1 R4-24	S30101007121	RES,TF,10,1/16W,5%,1608	10
R30-72 R74			
R104-109			
R318-319			
R469-476			
R511-516			
R541 R552 R558	S30101017121	RES,TF,100,1/16W,5%,1608	100
R592 R598 R604			
R610 R616 R622			
R628 R634 R640			
R646 R652 R658			
R664 R670 R725			
R81-R2 R92	S30101027121	RES,TF,1K,1/16W,5%,1608	1K
R146 R155-168			
R547 R550 R563			
R566-567			
R570-571			
R574-575			
R578-579			
R582-583			
R586-587 R590			
R723 R728-729			
R27 R100-103	S30101037121	RES,TF,10K,1/16W,5%,1608	10K
R115 R117 R119			
R121 R124-127			
R131 R133 R135			
R137 R170 R557			
R560 R597 R600			
R609 R612 R621			
R624 R633 R636			
R645 R648 R657			
R660 R669 R672			
R675 R677 R679			
R681 R683 R685			
R687 R689			
R694-695			
R88 R551 R591	S30101047121	RES,TF,100K,1/16W,5%,1608	100K
R603 R615 R627			
R639 R651 R663			
R724 R726			
R730-731			
R559 R599 R611	S30101237121	RES,TF,12K,1/16W,5%,1608	12K
R623 R635 R647			
R659 R671			
R116 R118 R120	S30101847121	RES,TF,180K,1/16W,5%,1608	180K
R122 R132 R134			
R136 R138			
R553-554	S30102037121	RES,TF,20K,1/16W,5%,1608	20K

Ref.	Part No.	Description	Value
R593-594			
R605-606			
R617-618			
R629-630			
R641-642			
R653-654			
R665-666 R719			
R676 R678 R680	S30102237231	RES,TF,22K,1/10W,5%,2012	22K
R682 R684 R686			
R688 R690			
R720	S30102247121	RES,TF,220K,1/16W,5%,1608	220K
R869	S30102437121	RES,TF,24K,1/16W,5%,1608	24K
R721	S30103037121	RES,TF,30K,1/16W,5%,1608	30K
R99 R112-114	S30103347121	RES,TF,330K,1/16W,5%,1608	330K
R123 R128-130			
R691	S30103927121	RES,TF,3.9K,1/16W,5%,1608	3.9K
R83-85 R87	S30104717121	RES,TF,470,1/16W,5%,1608	470
R94-97 R561			
R601 R613 R625			
R637 R649 R661			
R673			
R89-91 R93	S30104727121	RES,TF,4.7K,1/16W,5%,1608	4.7K
R692			
R86 R228	S30104737121	RES,TF,47K,1/16W,5%,1608	47K
R548-549			
R564-565			
R568-569			
R572-573			
R576-577			
R580-581			
R584-585			
R588-589			
R556 R596 R608	S30105127121	RES,TF,5.1K,1/16W,5%,1608	5.1K
R620 R632 R644			
R656 R668			
R110	S30105617121	RES,TF,560,1/16W,5%,1608	560
R555 R595 R607	S30105627121	RES,TF,5.6K,1/16W,5%,1608	5.6K
R619 R631 R643			
R655 R667			
R98 R111	S30105637121	RES,TF,56K,1/16W,5%,1608	56K
R147-154	S30106827121	RES,TF,6.8K,1/16W,5%,1608	6.8K
R727	S30108217121	RES,TF,820,1/16W,5%,1608	820
R693	S3082708150	RES,TF,2.7,1/16W,5%,1608	2.7
C601-602	S35101024321	CAP,CE,MONO,X7R,1000pF,50V,J,1608,TA	0.001U
C622-623			
C625-626			
C628-629			
C631-632			
C634-635			
C637-638			
C640-641			
C14 C17-20	S35101045321	CAP,CE,MONO,X7R,0.1uF,50V,Z,1608,TA	0.1U
C48-49 C59-60			
C64 C66 C69-70			
C72-74 C77			
C85-86 C91			
C105 C126-134			
C234 C296			
C475-477 C479			
C488 C497 C499			
C501 C503 C609			
C624 C627 C630			
C633 C636 C639			
C642-646			
C773-788			
C829-830 C839			
C861 C864 C866			
C868			
C604 C619 C648	S35601012430	CAP,CE,MONO,COG,100PF,50V,J,1608,TA	100P
C662 C666 C680			
C684 C698 C702			
C716 C720 C734			
C738 C752 C756			
C770 C832 C862			
C46-47	S35602202430	CAP,CE,MONO,COG,22PF,50V,J,1608,TA	22P

Ref.	Part No.	Description	Value
C22 C96 C607	S35604702430	CAP,CE,MONO,COG,47PF,50V,J,1608,TA	47P
C615 C651 C658			
C669 C676 C687			
C694 C705 C712			
C723 C730 C741			
C748 C759 C766			
C798 C800 C802			
C804 C806 C808			
C810 C812			
X1	S3930000300	X-TAL,11.0592MHZ,30PPM,20PF,HC49/S	11.0592MHz
D36-48	S54100501520	SURGE PROTECTION,50W,1SKV,PG05FBESC,KEC	PG05FBESC
DSUB B'D 4000001910			
AN9	4428592526	CON WAFER,BOX(M),26P,2/ST	TPH1419-26P

ELECTRICAL PARTS LIST (RM-8000)

Ref.	Part No.	Description	Value
LED19-21			
LED24-26			
LED29-31			
LED34-36			
LED39-41			
LED8 LED13	S2300000300	LED,SMD,RED,CLR,1U,1.608,TA	C191KRKT
LED18 LED23			
LED28 LED33			
LED38 LED43			
LED7 LED12	S2300000400	LED,SMD,YEL,CLR,1U,1.608,TA	C191KSXT
LED17 LED22			
LED27 LED32			
LED37 LED42			
R756 R761 R766	S30100007230	RES,TF,0,1/10W,5%,(J),2012	0
R771 R776 R781			
R784 R897			
R753 R758 R763	S30101037231	RES,TF,10K,1/10W,5%,2012	10K
R768 R773 R778			
R783 R894			
R754 R759 R764	S30103037231	RES,TF,30K,1/10W,5%,2012	30K
R769 R774 R779			
R784 R895			
R478-485	S30105647231	RES,TF,560K,1/10W,5%,2012	560K
R757 R762 R767	S30106807231	RES,TF,68,1/10W,5%,2012	68
R772 R777 R782			
R787 R898			
R755 R760 R765	S30109127231	RES,TF,9.1K,1/10W,5%,2012	9.1K
R770 R775 R780			
R785 R896			
C1-17	S34121000632	CAP,E,SM,RC,105C,10uF,25V,M,TA	10/25
C480-487	S35101024331	CAP,CE,MONO,COG,1000pF,50V,J,2012,TA	0.001U
C239 C396 C399	S35101045331	CAP,CE,MONO,X7R,0.1uF,50V,Z,2012,TA	0.1U
C402 C405 C408			
C411 C489 C793			
ASSY			
CON	4355784412	CON ASSY,DS,2P,5264,STRIP,250MM	
	4355880212	CON ASSY,DS,2P,187708,VHR,250MM	
	43550026700	CON ASSY,RB,26P,IDC2.54,IDC2.54,100MM	
	43550026701	CON ASSY,RB,26P,IDC2.54,IDC2.54,170MM	
	43550026800	CON ASSY,RB,30P,IDC2.54,IDC2.54,130MM	
	43550029400	CON ASSY,RB,40P,DONCO,IDC2.54,260MM	
	43550029401	CON ASSY,RB,20P,DONCO,IDC2.54,260MM	
	4355726607	CON ASSY,RB,40P,IDC2.54,140MM	
SW	4628980210	SW,POWER,ROCKER,VER,SPST,3A,250V	
TRANS	2880000100	TRANS,SW,220-240VAC,24V,2A,PX-8000	R,C
	2880000101	TRANS,SW,100-120VAC,24V,2A,PX-8000	E
AC CORD	4308994910	AC CORD,3P,1.6A,250VAC,V,2500MM	R
	4300000800	AC CORD,3P,1.6A,250VAC,VDE,2.2M	R
	4308991210	AC CORD,3P,1.3A,250VAC,UK,1800MM	C
	4300000801	AC CORD,3P,1.3A,250VAC,UK,1.8M	C
	4308999900	AC CORD,3P,10A,125VAC,U/C,2200MM	E
	4300000802	AC CORD,3P,10A,125VAC,U/C,2.2M	E
	4308987050	AC CORD,3P,1.6A,250VAC,2200MM	D
	4300000803	AC CORD,3P,10A,250VAC,2.2M	D
SPK UNIT	5008984920	SPEAKER,UNIT,FULL,2",8OHM,1W,50SK076	

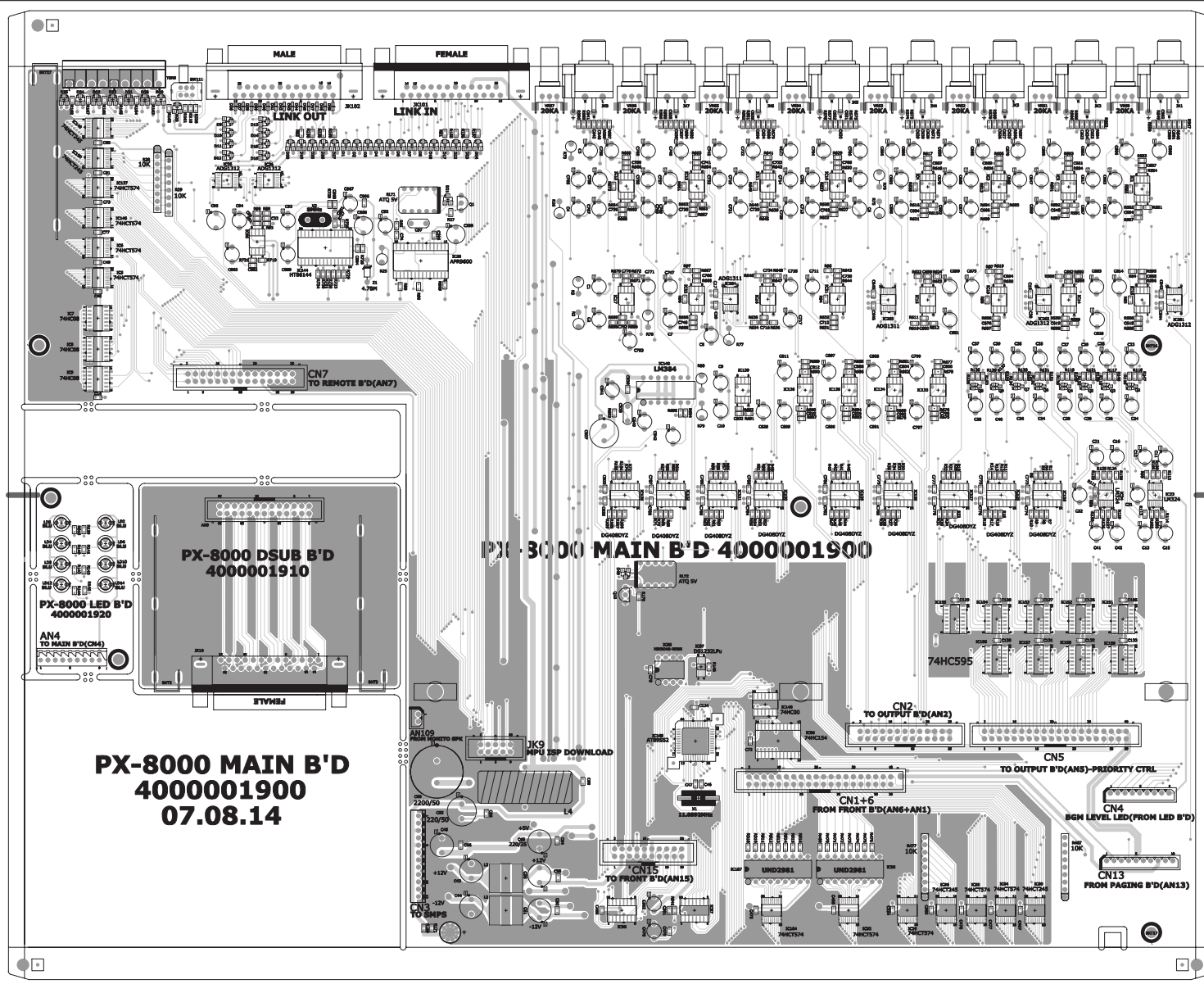
Ref.	Part No.	Description	Value
MAIN B'D 4000007500			
Q1	2008606998-T	TR,SG,NPN,300mA,20V,KTD1302,TC-92,TA	KTD1302
D3	2058100964	DIODE,RE,1A,40V,1N5819,DO-41,TA	1N5819
D5	2058100996	DIODE,RE,1A,800V,1N4006,DO-41,TA	1N4006(4007)
Z3-4	2058502056	DIODE,ZN,500mW,BM,5.6V,DO-35,TA	5.6BM
Z2	2058502180	DIODE,ZN,500mW,BM,18V,DO-35,TA	18BM
IC6	2118080436	IC,POW AMP,5W/8ohm,LM384N,DIP14	LM384
IC20	2123320991	IC,MICU,AT89C2051-24P,DIP20	89C2051
IC14	2128220600	IC,RESET,DS1232,DIP8	DS1232
IC5	2128840426	IC,DRIVER,LED,METER,LM3914,DIP18	LM3914
IC19	2148640978	IC,SW REG,5V,1A,LM2575-T,5,T05D	LM2575
R83	3029100475-T	RES,MF,10,1W,5%,RA R,TA	10 1W
R47	3039220472-T	RES,MF,22,1W,5%,RA R,TA	22 1W
R91	3096103991	RES,ARY,10K,1/5W,5%,PULL,8U,SIPP	10K
VR1-2	3228067300	VR,ROT,HOR,1U,L20,20K,A	20KA
C56	3408233141	CAP,E,SM,SG,85C,330uF,25V,M,10P	330/25
C42 C61	3408247171	CAP,E,SM,SG,85C,470uF,50V,M,13P	470/50
C65			
C13 C22	3409210071-T	CAP,E,SM,SG,85C,10uF,50V,M,5P,TA	10/50
C32 C35			
C39			
C51-52	3409210171-T	CAP,E,SM,SG,85C,100uF,50V,M,8P,TA	100/50
C6-8 C10	3409222071-T	CAP,E,SM,SG,85C,22uF,50V,M,5P,TA	22/50
C12 C17			
C25-26			
C28-31			
C34 C36			
C38			
C19 C37	3409247071-T	CAP,E,SM,SG,85C,47uF,50V,M,6P,TA	47/50
C40			
C21 C63	3409247971-T	CAP,E,SM,SG,85C,4.7uF,50V,M,5P,TA	4.7/50
C2-3	3409710070-T	CAP,E,NP,NP,85C,10uF,50V,M,5x11,TA	10/50 NP
C43	3609104122-T	CAP,FILM,POLYESTR,SM,0.1uF,100V,J,TA	0.1/100(M)
X2	3938000964	X-TAL,8.000MHZ,30ppm,HC-49/S	8MHz
JK3	4408193608	MODULAR PLUG 8P	MODULAR08P
CN2	4418528126	CON WAFER,BOX(F),26P,1.25mm,ST	FE-BT-26P
CN3	4428533202	CON WAFER,LOC(M),2P,AN	3951-02P
CN1	4428595005	CON WAFER,BOX(M),5P,ST	LWS267-05P
F1-2	4458999110	FUSE,CLIP 5*20	CLIP 20mm
SW15	4698099210	SW DIP YD-032A	SW DIP YD-032A
IC1 IC3-4	521101080002	IC,OP AMP,NJM2048M,SOP8	NJM2068M
IC21	521251607701	IC,DEMUX,74HC138A,SOIC16	74HC138D
IC10 IC15	521275087601	IC,TRANSCEIVER,SN75176BD,SOIC8	SN75176BD
IC9	52130003400	IC,TRANSCEIVER,74HCT245,TSSOP20P	74HCT245
IC2	52170000200	IC,MELODY,CHIME&EM,HT86144,SOP28	HT86144
D1-2	522100500001	DIODE,SW,200mA,100V,MMBD4148,SOT-23,TA	1N4148
L1-3	526103312990	COIL,FER,RADIAL,330uH,TA	330uH
R84-85	S30100007230	RES,TF,0,1/10W,5%,(J),2012	0
R9 R23	S30101017231	RES,TF,100,1/10W,5%,2012	100
R94-95			
R20 R39	S30101027231	RES,TF,1K,1/10W,5%,2012	1K
R77 R87			
R8 R19	S30101037231	RES,TF,10K,1/10W,5%,2012	10K
R27 R33			
R36 R45			
R86			
R92-93			
R11-12	S30101047231	RES,TF,100K,1/10W,5%,2012	100K
R16-17			
R21-22			
R28			
R30-31			
R34-35			
R41-42			
R46			
R88-89			
R10	S30101137231	RES,TF,11K,1/10W,5%,2012	11K
R80-81	S30101217231	RES,TF,120,1/10W,5%,2012	120
R43	S30101227231	RES,TF,1.2K,1/10W,5%,2012	1.2K
R6	S30101237231	RES,TF,12K,1/10W,5%,2012	12K
R13 R59	S30101837231	RES,TF,18K,1/10W,5%,2012	18K
R60	S30102037231	RES,TF,20K,1/10W,5%,2012	20K
R25	S30102247231	RES,TF,220K,1/10W,5%,2012	220K
R32	S30102437231	RES,TF,24K,1/10W,5%,2012	24K

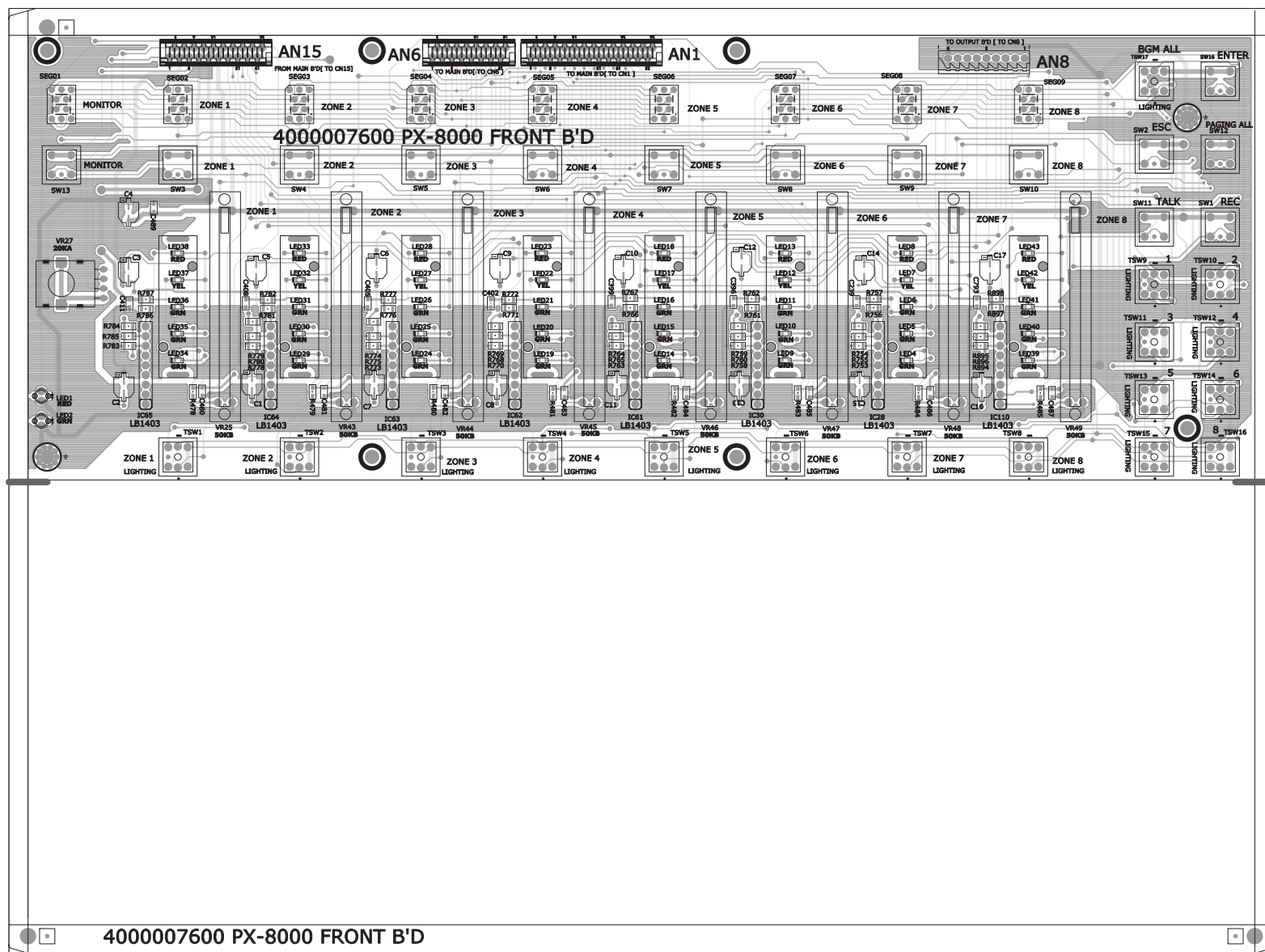
Ref.	Part No.	Description	Value
R61	S30102797231	RES,TF,2.7,1/10W,5%,2012	2.7
R24	S30103637230	RES,TF,36K,1/10W,5%,2012	36K
R40	S30103927231	RES,TF,39K,1/10W,5%,2012	39K
R44	S30103937231	RES,TF,39K,1/10W,5%,2012	3.9K
R4-5	S30104717231	RES,TF,470,1/10W,5%,2012	470
R18	S30104727231	RES,TF,4.7K,1/10W,5%,2012	4.7K
R78-79			
R7 R82	S30104737231	RES,TF,47K,1/10W,5%,2012	47K
R90	S30105627231	RES,TF,5.6K,1/10W,5%,2012	5.6K
R29	S30106837231	RES,TF,68K,1/10W,5%,2012	68K
R37-38	S30107517230	RES,TF,750,1/10W,5%,2012	750
R26	S30108217231	RES,TF,820,1/10W,5%,2012	820
C55 C57	S35101035039	CAP,CE,MONO,X7R,10n,63V,K,2012,TA	0.01/63
C18 C20	S35101045331	CAP,CE,MONO,X7R,0.1uF,50V,Z,2012,TA	0.1U
C23-24			
C41			
C47-50			
C53-54			
C58 C62			
C64 C66			
C493			
C14	S35601012440	CAP,CE,MONO,COG,100PF,50V,J,2012,TA	100P
C4-5	S35602202440	CAP,CE,MONO,COG,22PF,50V,J,2012,TA	22P
C59-60			
C9 C16	S35604702440	CAP,CE,MONO,COG,47PF,50V,J,2012,TA	47P
C27 C33			
X1	S3930003000	X-TAL,11.0592MHZ,30PPM,20PF,HC49/S	11.0592MHz
IC13	S2150000600	IC,D,FF,74HCT574,TSSOP20P	74HCT574
KEY B'D 4000007510			
LED11	2300030100	LED,RND 3.1MM,RED,DIFF,1U,ST2.5	LTL-1CHE
LED12-15	2300032100	LED,RND 3.1MM,GRN,DIFF,1U,ST2.5	LTL-1CHG
LED16	2318999990	LED DISPLAY A438/SG4YH	A438/SG4YH
R76	3096103991	RES,ARY,10K,1/5W,5%,PULL,8U,SIPP	10K
AN2	4418528226	CON WAFER,BOX(F),25mm,AN	FE-ST-26P
S1-10	4658098710	SW,TACT,LR,RED	JB15LRP2 RED
IC12	52130003400	IC,TRANSCEIVER,74HCT245,TSSOP20P	74HCT245
R48-58	S30101827231	RES,TF,1.8K,1/10W,5%,2012	1.8K
R62-75	S30104717231	RES,TF,470,1/10W,5%,2012	470
C44-46	S35101045331	CAP,CE,MONO,X7R,0.1uF,50V,Z,2012,TA	0.1U
IC8 IC11	S2150000600	IC,D,FF,74HCT574,TSSOP20P	74HCT574
JACK B'D 4000007520			
AN1	4355721600	CON ASSY,SH,5P,5264,5395,240mm	ASSY-05P
Z1	2058502180	DIODE,ZN,500mW,BM,18V,DO-35,TA	18BM
R3	3039102575-T	RES,MF,1K,5W,5%,RA R,TA	1K 2W
C1	3408247169	CAP,E,SM,SG,85C,470uF,35V,M,10x20	470/35
EMF1-2	3908609970	FILTER,EMI,DS66N282A,103Q558	10000pF
JK1	44300002200	JACK,XLR(F),1U,3p,AN,locking type	XLR/F
R14	S30100007230	RES,TF,0,1/10W,5%,(J),2012	0
R15	S30101057231	RES,TF,1M,1/10W,5%,2012	1M
R1-2	S30104727231	RES,TF,4.7K,1/10W,5%,2012	4.7K
C11	S35101045331	CAP,CE,MONO,X7R,0.1uF,50V,Z,2012,TA	0.1U
ASSY			
	4115198240	CARD CABLE,FFC,26P,P1.25,PL/PL,100MM	
	4355721300	CON ASSY,DS,2P,VHR,STRIP,100MM	
	5008984920	SPEAKER,UNIT,FULL,2",8OHM,1W,50SK076	
	5508411939	FUSE,20MM,T,630MA,250V,K/U/C/S	

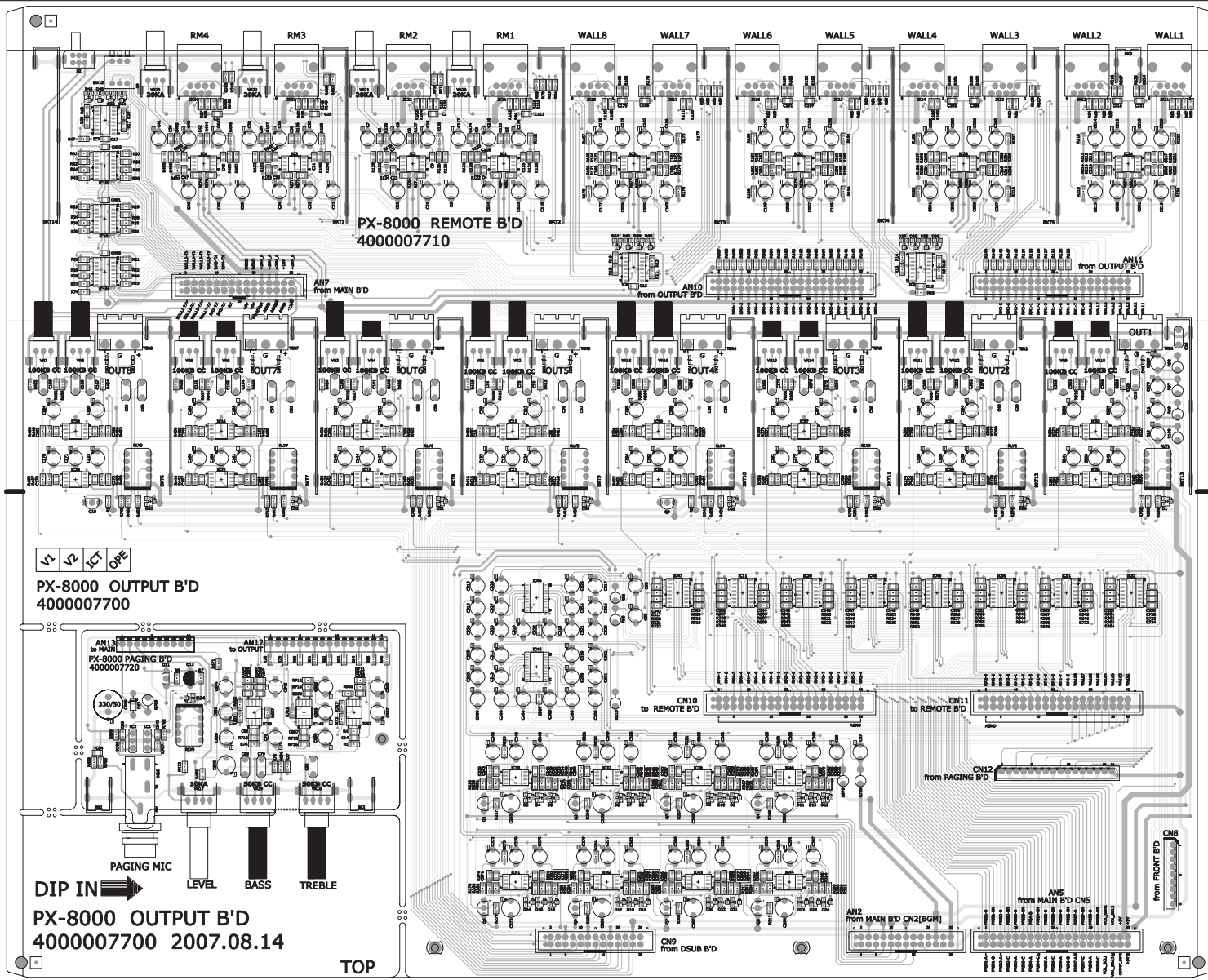
ELECTRICAL PARTS LIST (LM-8000)

Ref.	Part No.	Description	Value
MAIN B'D 400008600			
D1	2058100964	DIODE,RE,1A,40V,1N5819,DO-41,TA	1N5819
IC2	2148640978	IC,SW REG,SV,1A,LM2575T-5,T05D	LM2575
R45	3089100275	RES,FS,MF,10,1/4W,5%,RA,R,TA	FR 10
C34	3409222071-T	CAP,E,SM,SG,85C,22uF,50V,M,SP,TA	22/50
C39	3409233147-T	CAP,E,SM,SD,85C,330uF,25V,M,8x11.5,TA	330/25
CN1	4355461901	CON ASSY 4P 50MM LM88A	ASSY-04P
JK3	4408193508	JACK,MODULAR,1U,8P,ST,RJ-45	MODULAR08P
CN5	4428536309	CON WAFER,LOCK(M),9P,2/AN	FINN-BTRK-09P
CN3	4428594010	CON WAFER,BOX(M),10P,2/ST	5532-10P
S3	4658098410	SWROTARY ENCODER EC11B1SD1-ZZZ	EC11B1SD1
R50	OPEN		open
IC8	52120001000	IC,MCU,ATMEL,AT89S52,TQFP44	AT89S52
IC5-6	521275087601	IC,TRANSCEIVER,SN75176BD,SOIC8	SN75176BD
IC12	52150000900	IC,RESET,DS1232LP,u-SOP	DS1232LPU
L1	526103312990	COIL,FER,RADIAL,330uH,TA	330uH
R29	530100007121	RES,TF,0,1/16W,0.05,1608	0
R27	530101027121	RES,TF,1K,1/16W,5%,1608	1K
R49	530101217121	RES,TF,120,1/16W,5%,1608	120
R1 R46-47	530104737121	RES,TF,47K,1/16W,5%,1608	47K
C17 C32 C37	535101045321	CAP,CE,MONO,X7R,0.1uF,50V,Z,1608,TA	0.1uF
C40 C44 C46			
C493			
C30-31	535601012430	CAP,CE,MONO,COG,100PF,50V,J,1608,TA	100P
C33 C45	535602202430	CAP,CE,MONO,COG,22PF,50V,J,1608,TA	22P
X1	53930000300	X-TAL,11.0592MHZ,30PPM,20PF,HC49/S	11.0592MHz
DISPLAY B'D 400008610			
SEG1	2330000400	LED SEGMENT,1U,RED,CA,7.4*10,BS-A284RD-B	BS-A284RD-B
CN2	4428593910	CON WAFER,BOX(M),10P,2/ST	5533-10P
S4	4658099912	SWITCH TACT IFL-01GK	ITL-01GK
R34-41	530103317121	RES,TF,330,1/16W,5%,1608	330
JACK B'D 400008700			
VR1-2	3228067330	VR NOBLE VR.XV09211NPP15A20K	20KA
C8 C16 C42	3409222071-T	CAP,E,SM,SG,85C,22uF,50V,M,SP,TA	22/50
C1-2 C7 C15	3409247973-T	CAP,E,SM,SE,85C,4.7uF,50V,M,TA	4.7/50
C26-27			
C4 C10 C18-19	3409710070-T008	CAP,E,NP,NP,85C,10uF,50V,M,5x11,TA	10/50 NP
C29			
EMF1-2	3908609970	FILTER,EMI,DSS6NZ82A103Q558	10000pF
AN1	4428595004	CON WAFER,BOX(M),4P,ST	LWS267-04P
JK4	4438097310	JACK,PHONE,1U,4P,AN	PHONE04P
JK1	4438098410	JACK,PHONE,MINI,1U,4P,AN	PHONE04P
IC7	52110001200	IC,OP AMP,QUAD,LM324MT,TSSOP 14P	LM324
IC1	521101080002	IC,OP AMP,NJM2068M,SOP8	NJM2068M
R9	530100007121	RES,TF,0,1/16W,0.05,1608	0
R21-22	530101017121	RES,TF,100,1/16W,5%,1608	100
R14	530101027121	RES,TF,1K,1/16W,5%,1608	1K
R15 R23-26 R31	530101037121	RES,TF,10K,1/16W,5%,1608	10K
R7-8 R11-12	530101047121	RES,TF,100K,1/16W,5%,1608	100K
R16-17			
R10	530101057121	RES,TF,1M,1/16W,5%,1608	1M
R13	530101227121	RES,TF,1.2K,1/16W,5%,1608	1.2K
R5	530101237121	RES,TF,12K,1/16W,5%,1608	12K
R6	530101837121	RES,TF,18K,1/16W,5%,1608	18K
R1-2 R32-33	530104717121	RES,TF,470,1/16W,5%,1608	470
R18-20	530104727121	RES,TF,4.7K,1/16W,5%,1608	4.7K
R3-4	530104737121	RES,TF,47K,1/16W,5%,1608	47K
R28 R30 R42-43	530106827121	RES,TF,6.8K,1/16W,5%,1608	6.8K
C11-12	535101024321	CAP,CE,MONO,X7R,1000pF,50V,J,1608,TA	0.001uF
C9 C13	535101045321	CAP,CE,MONO,X7R,0.1uF,50V,Z,1608,TA	0.1uF
C6	535601512430	CAP,CE,MONO,COG,150PF,50V,J,1608,TA	150P
C3 C5 C14 C20	535602202430	CAP,CE,MONO,COG,22PF,50V,J,1608,TA	22P
C22-23	535602212430	CAP,CE,MONO,COG,220PF,50V,J,1608,TA	220P

TOP AND BOTTOM VIEW OF P.C.BOARD (PX-8000)







PX-8000 REMOTE B'D
400007710

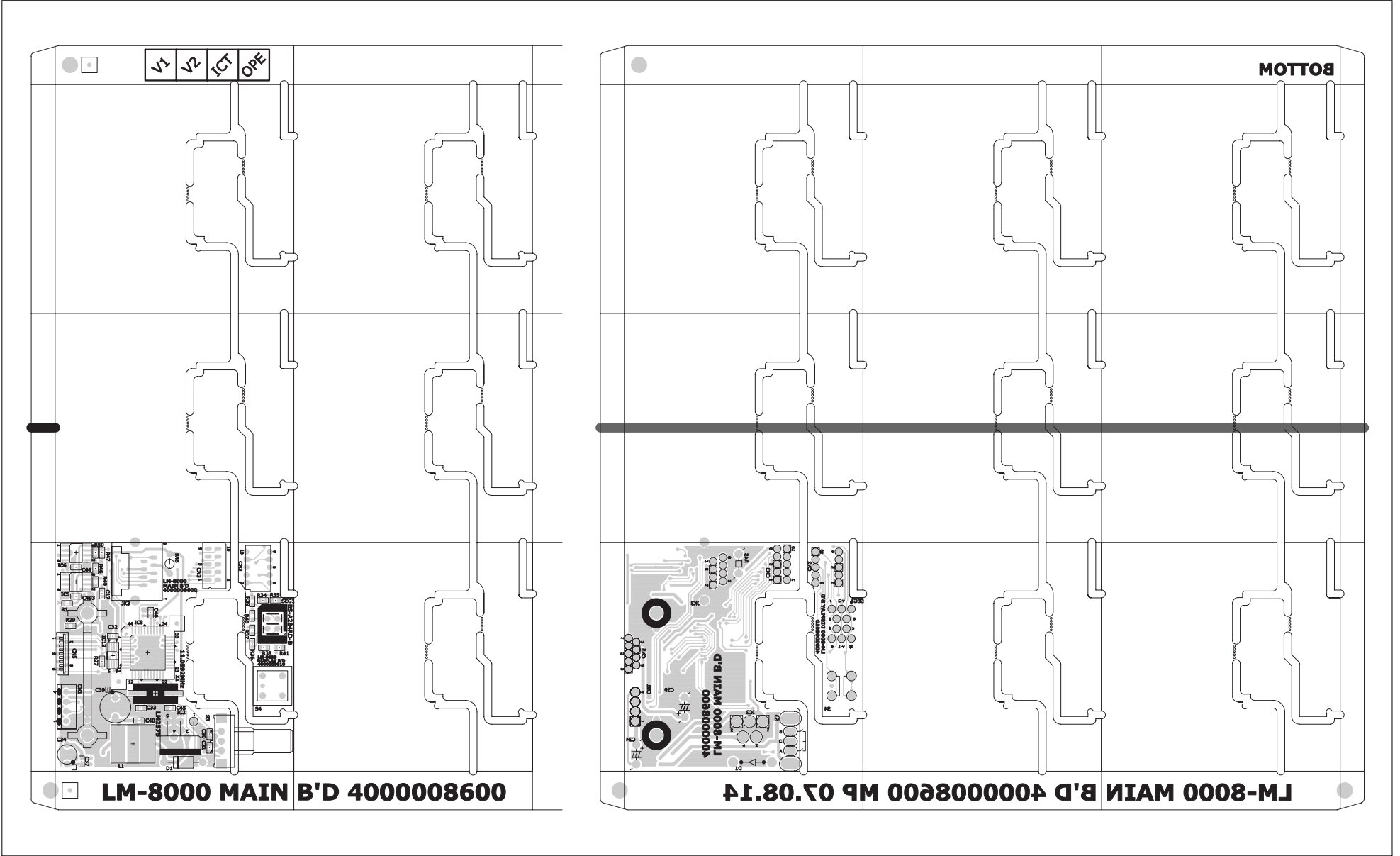
PX-8000 OUTPUT B'D
400007700

PX-8000 PAGING B'D
400007720

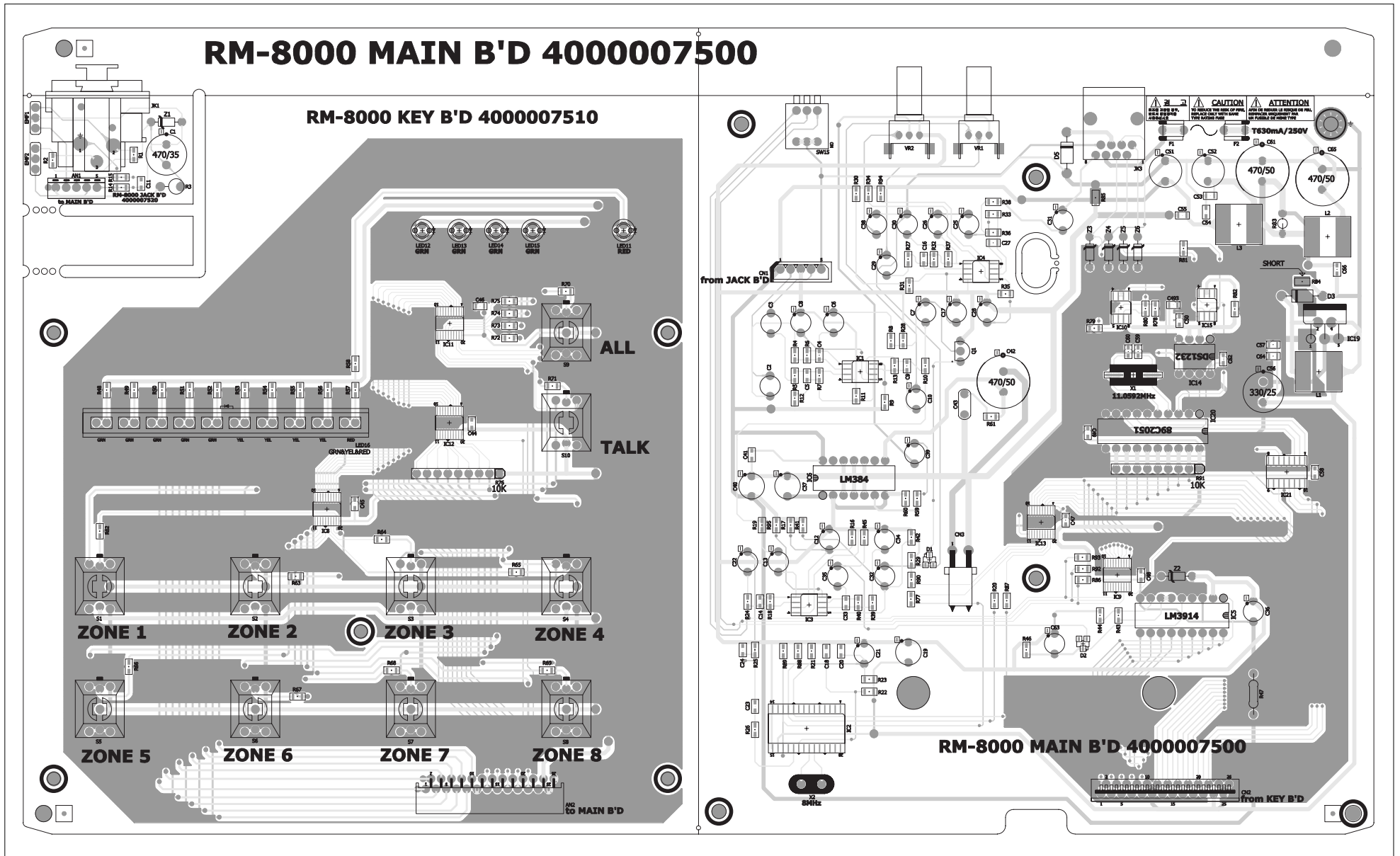
DIP IN
PX-8000 OUTPUT B'D
400007700 2007.08.14

TOP

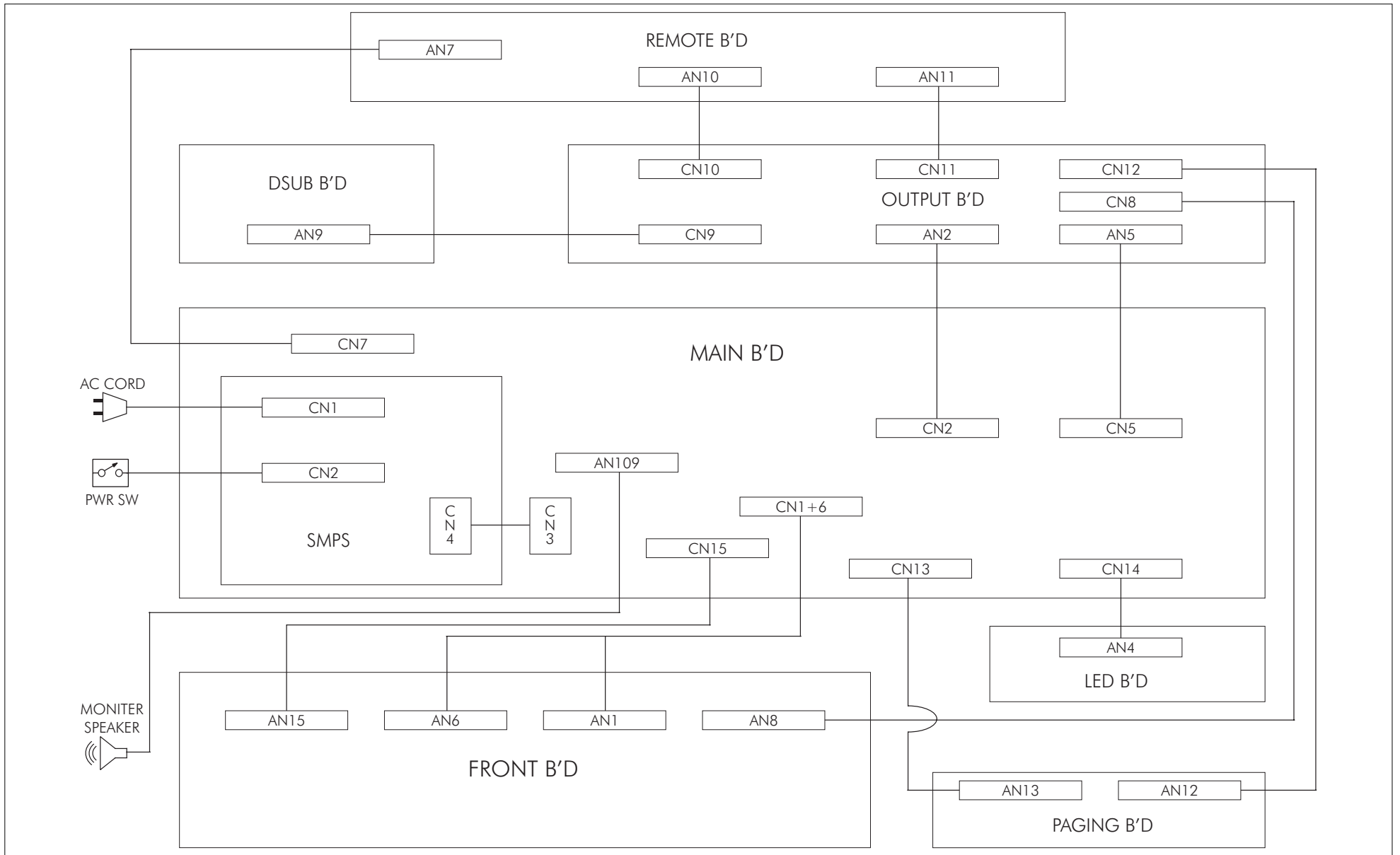
TOP AND BOTTOM VIEW OF P.C.BOARD (LM-8000)



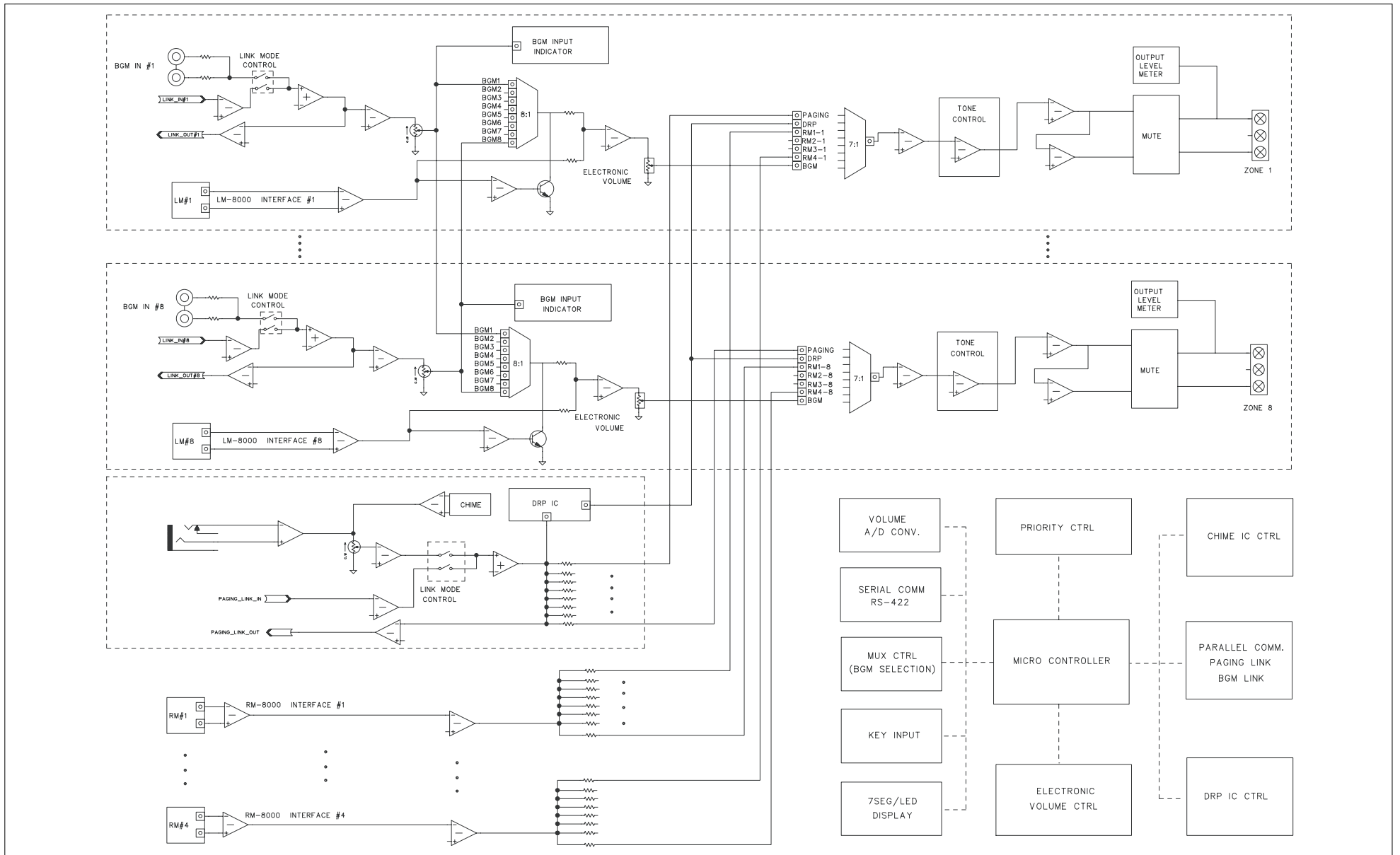
TOP AND BOTTOM VIEW OF P.C.BOARD (RM-8000)



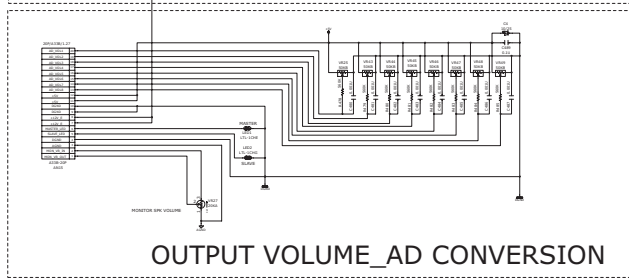
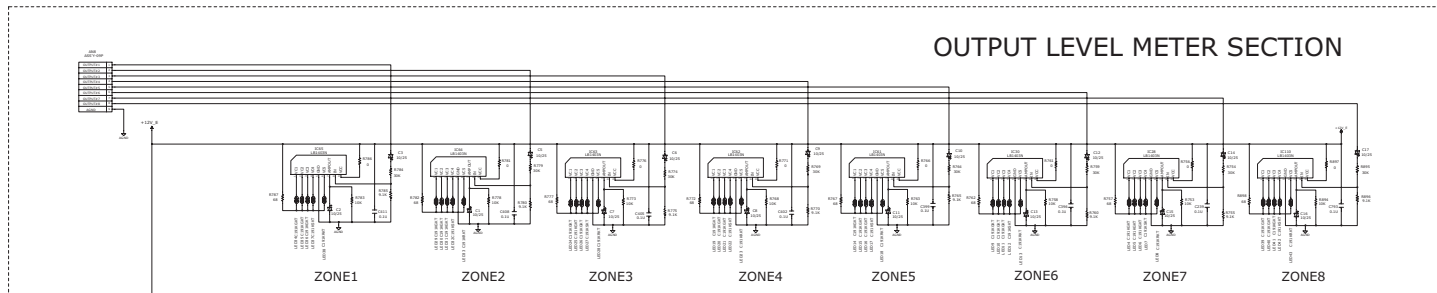
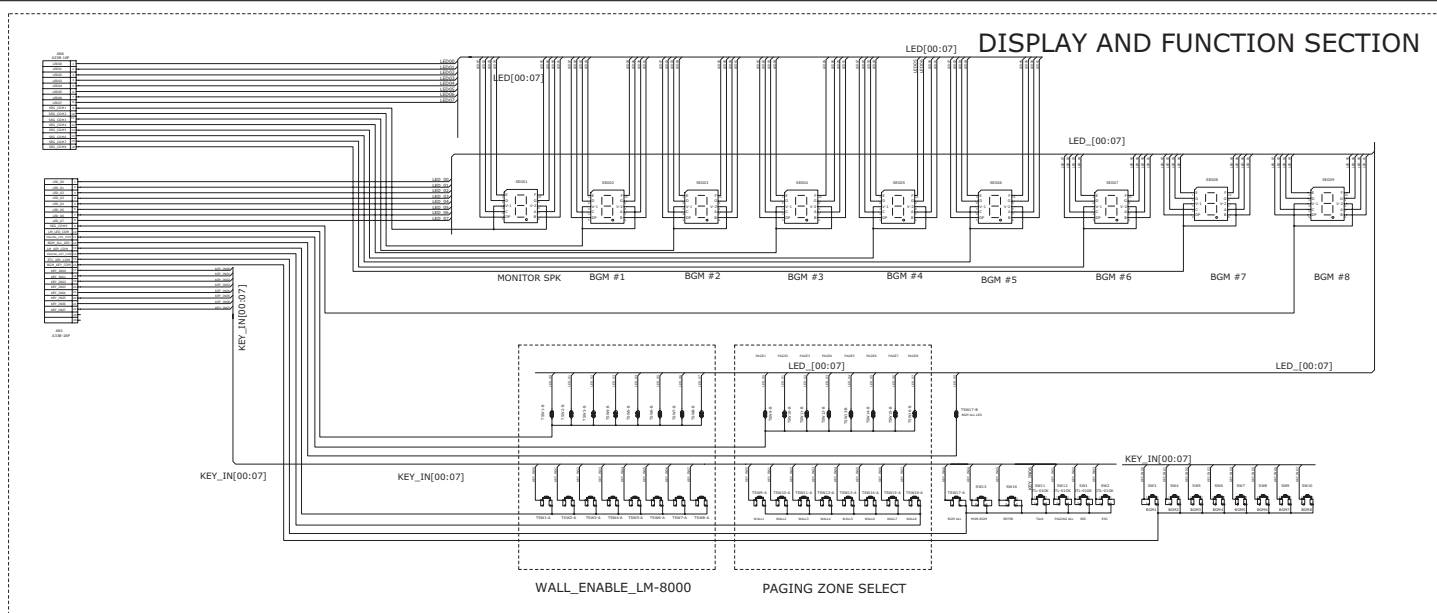
WIRING DIAGRAM



BLOCK DIAGRAM

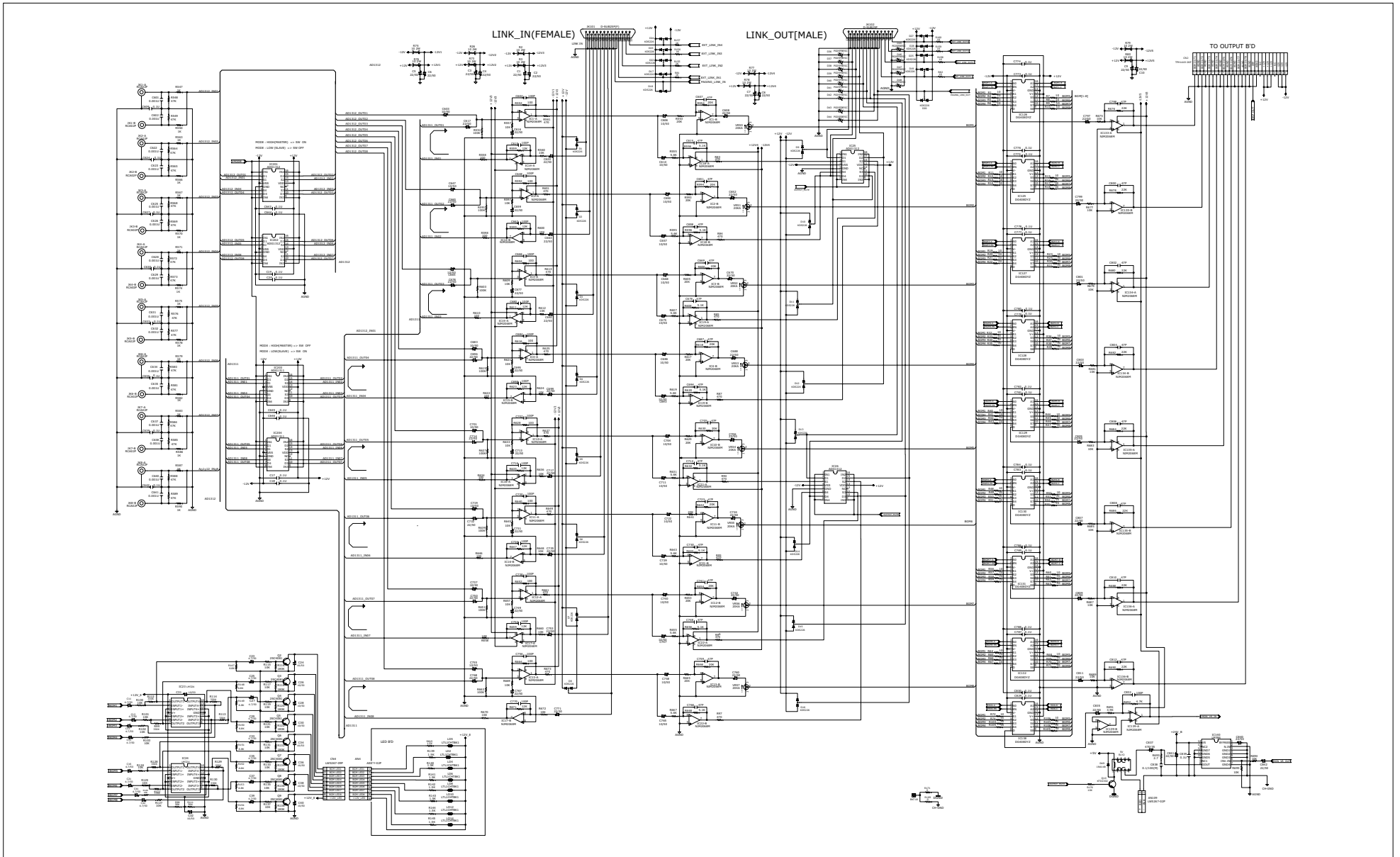


SCHEMATIC DIAGRAM (PX-8000)

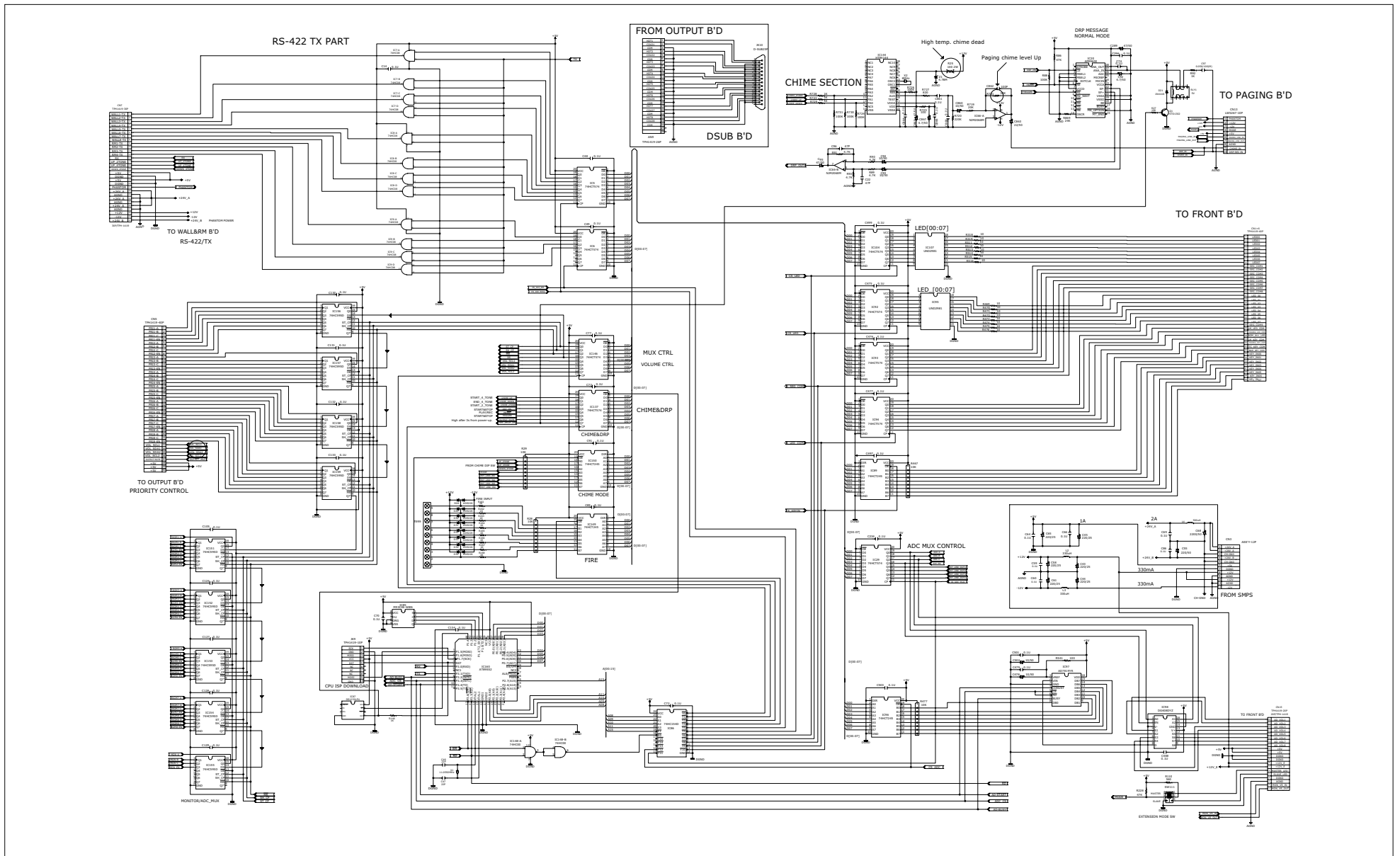


400007600 PX-8000 FRONT B'D

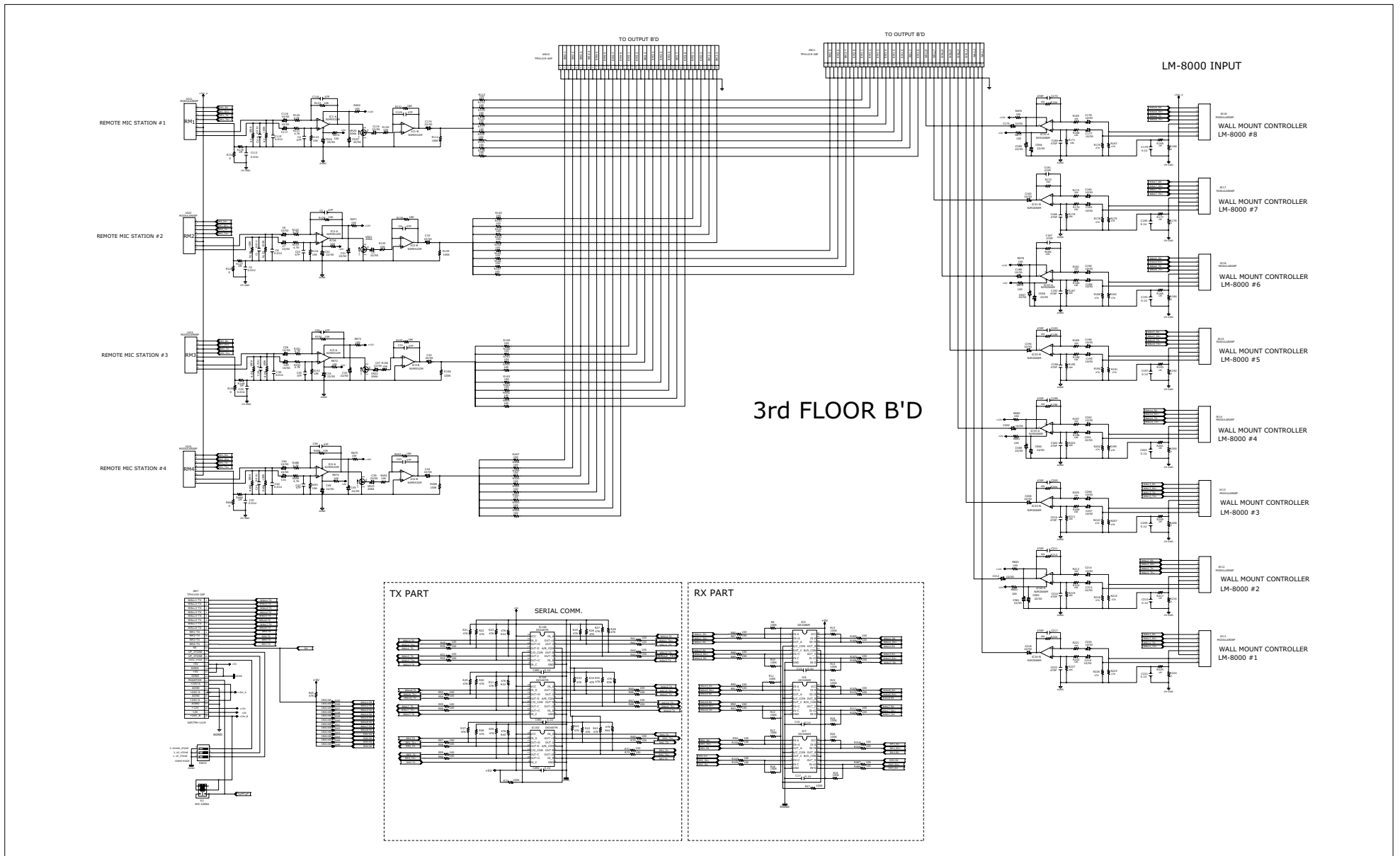
SCHEMATIC DIAGRAM (PX-8000)



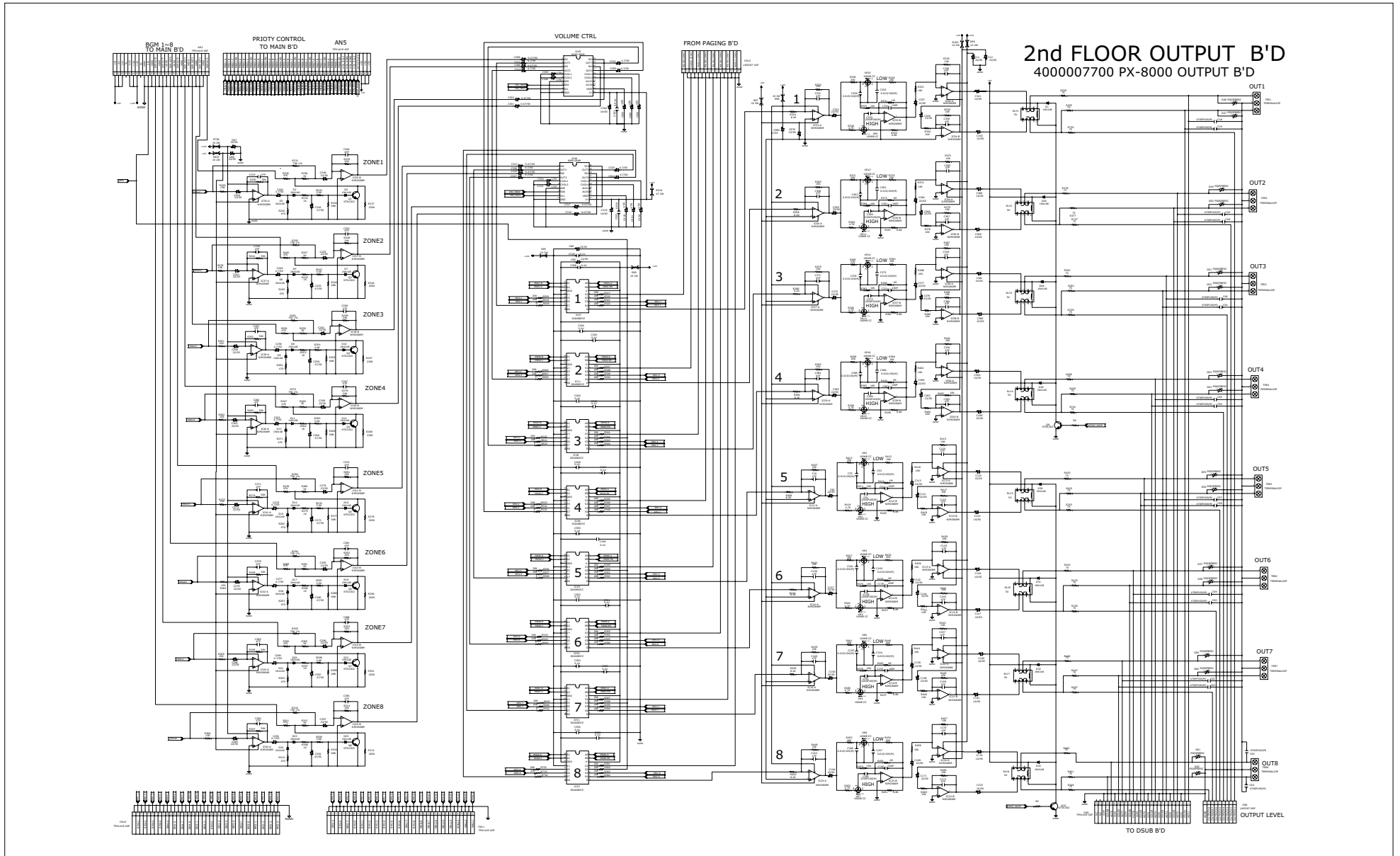
SCHEMATIC DIAGRAM (PX-8000)



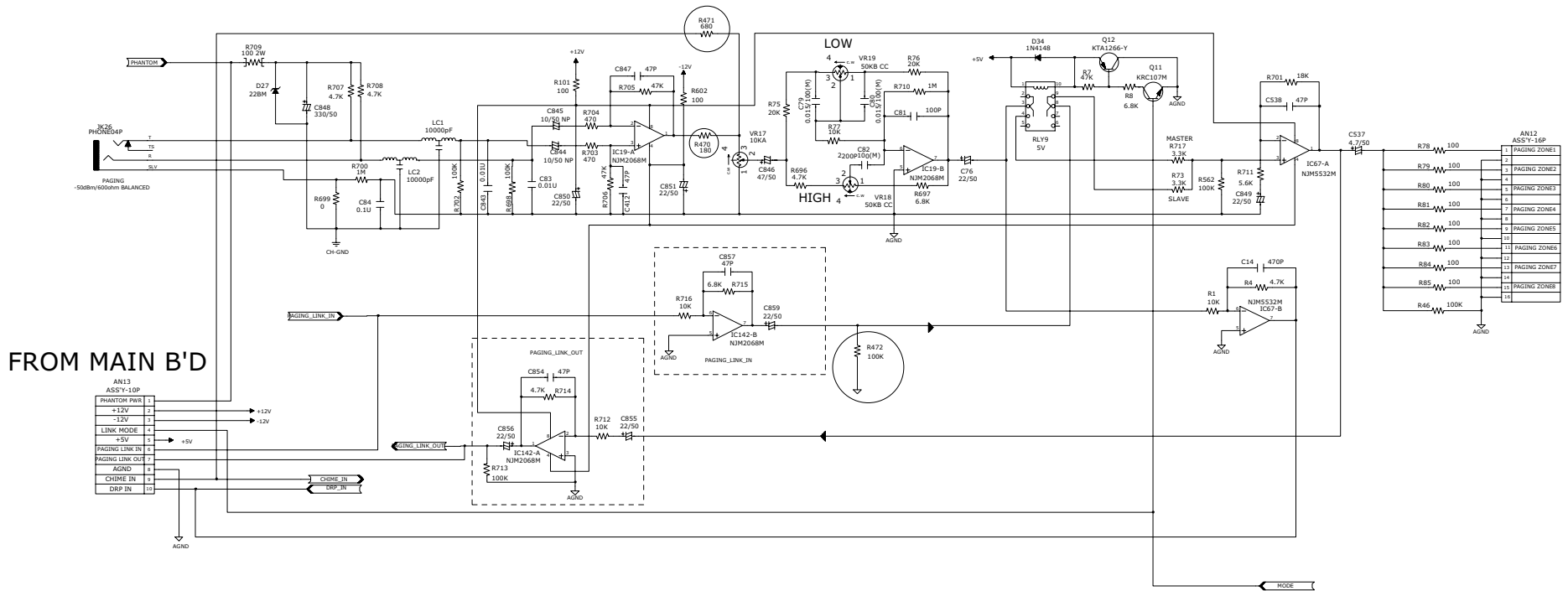
SCHEMATIC DIAGRAM (PX-8000)



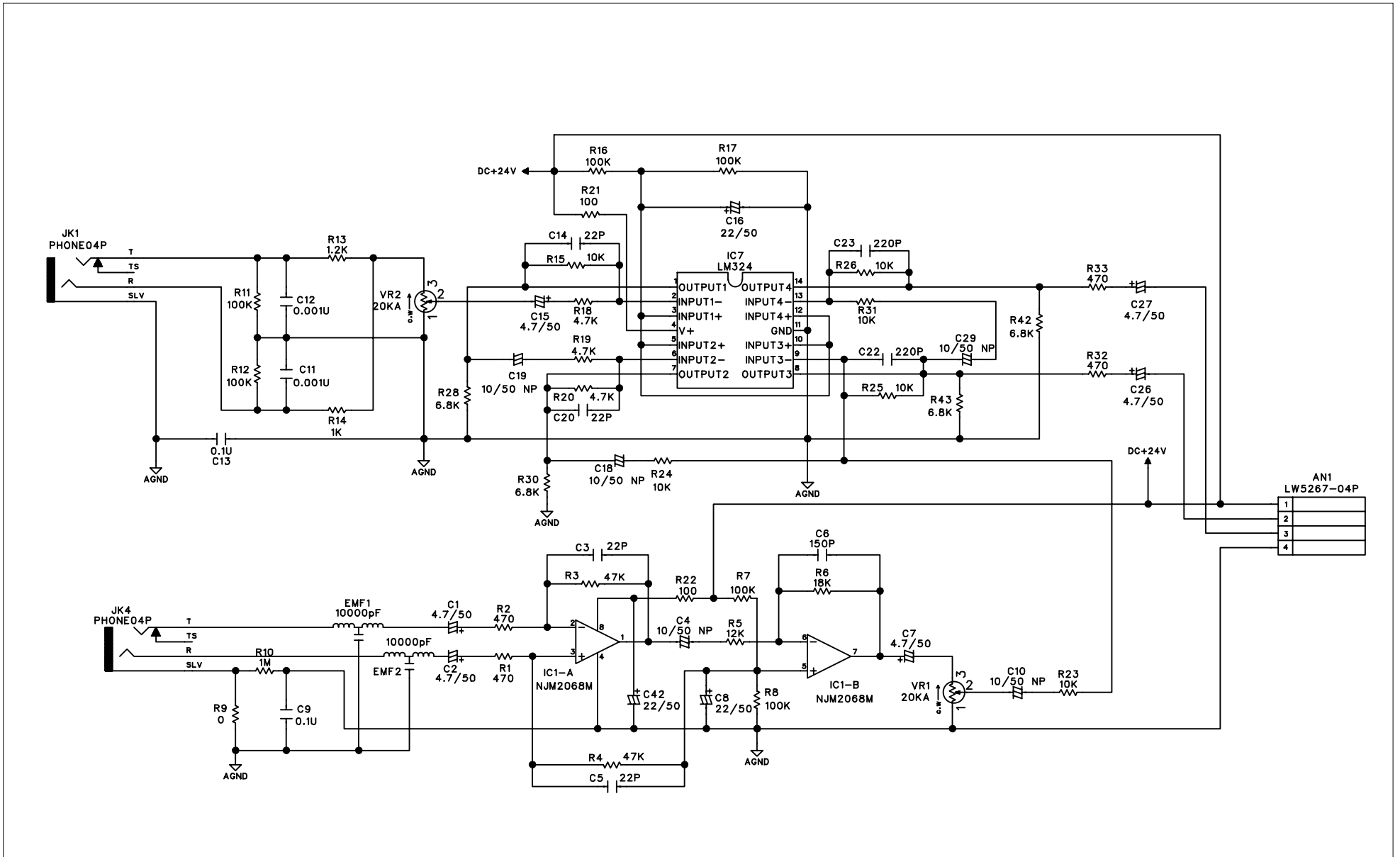
SCHEMATIC DIAGRAM (PX-8000)



PAGING MIC B'D 4000007720

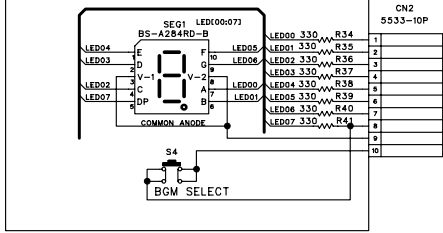


SCHEMATIC DIAGRAM (LM-8000)

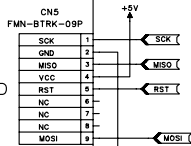


SCHEMATIC DIAGRAM (LM-8000)

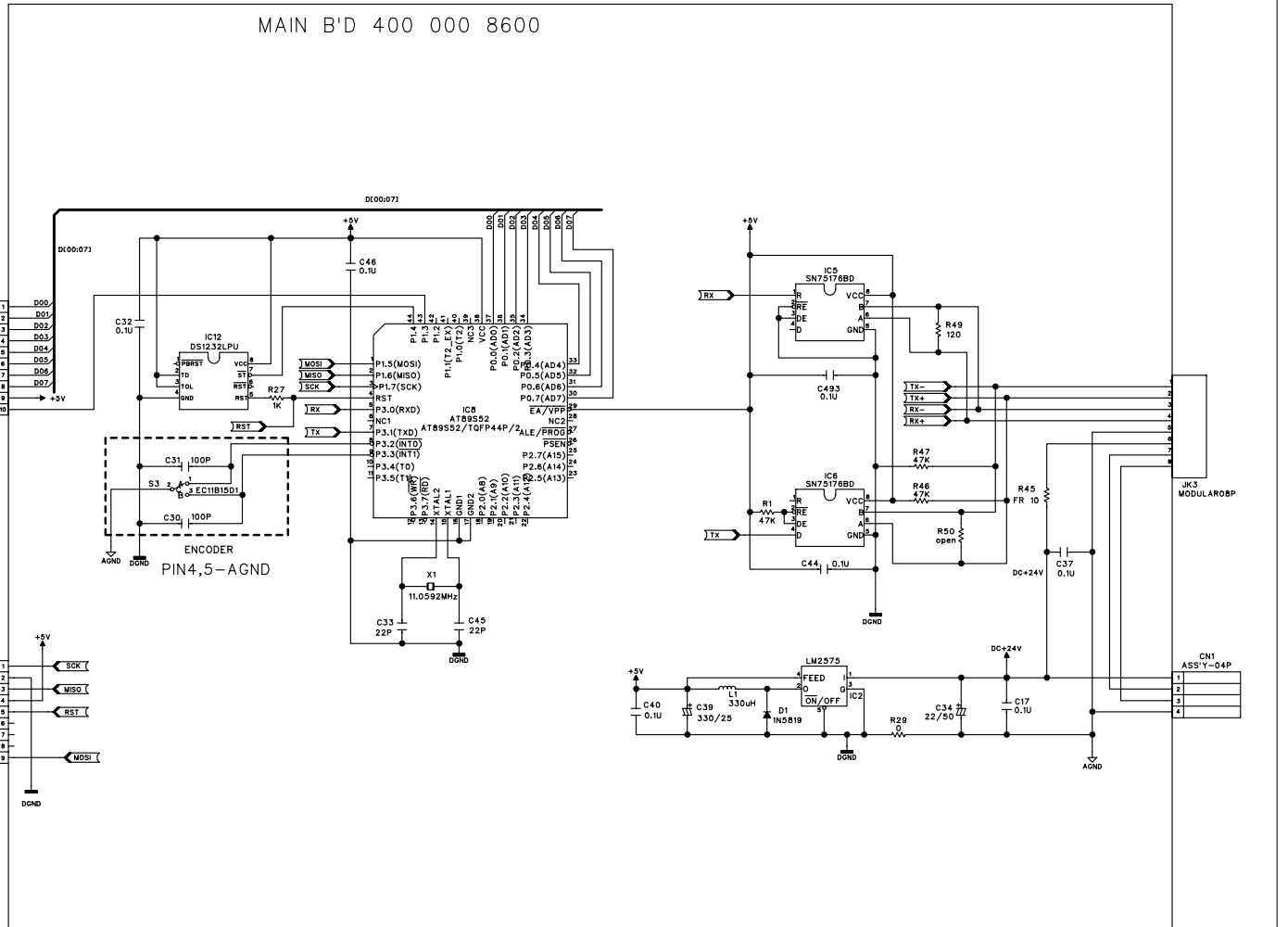
DISPLAY B'D 400 000 8610



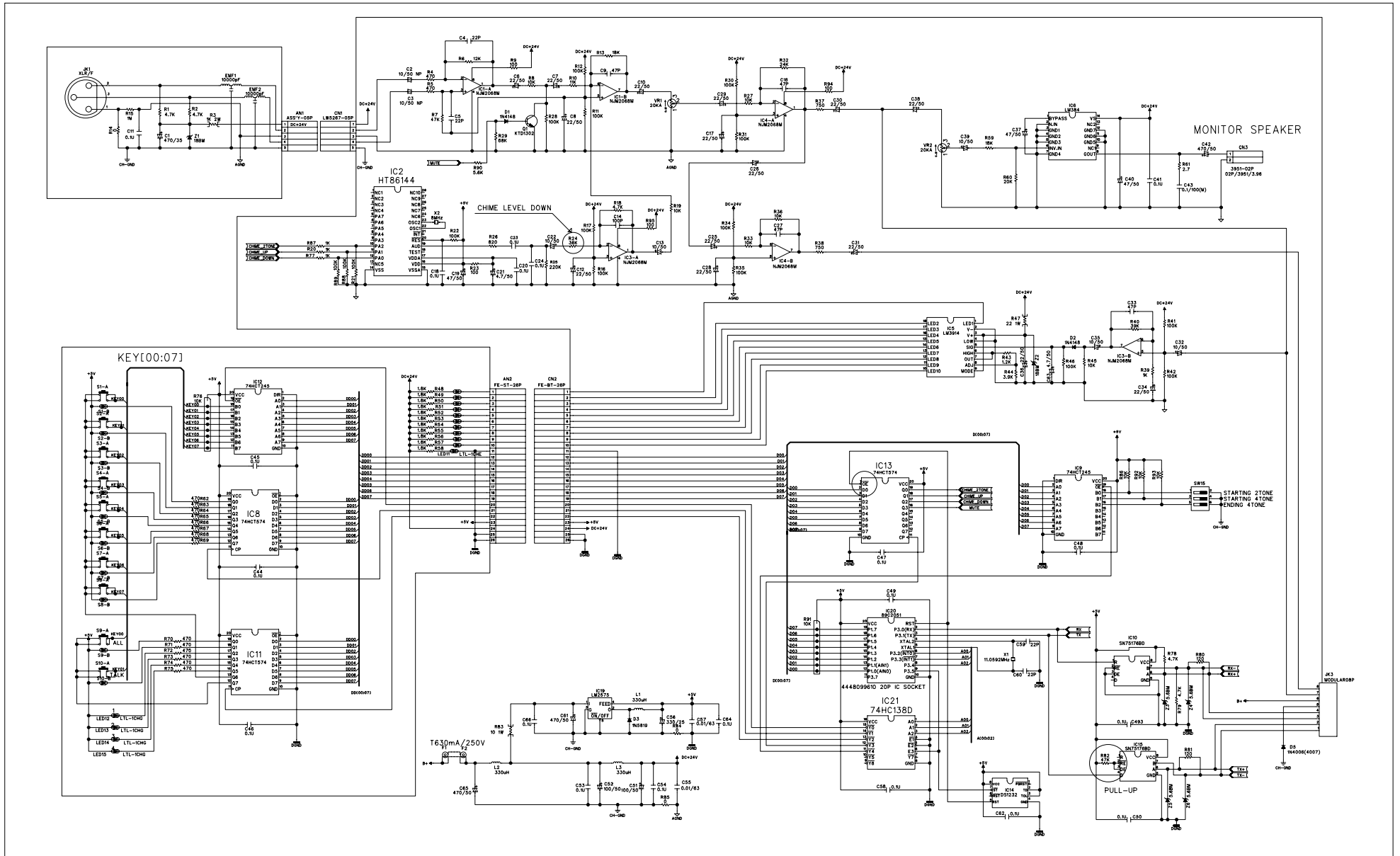
MICOM DOWNLOAD



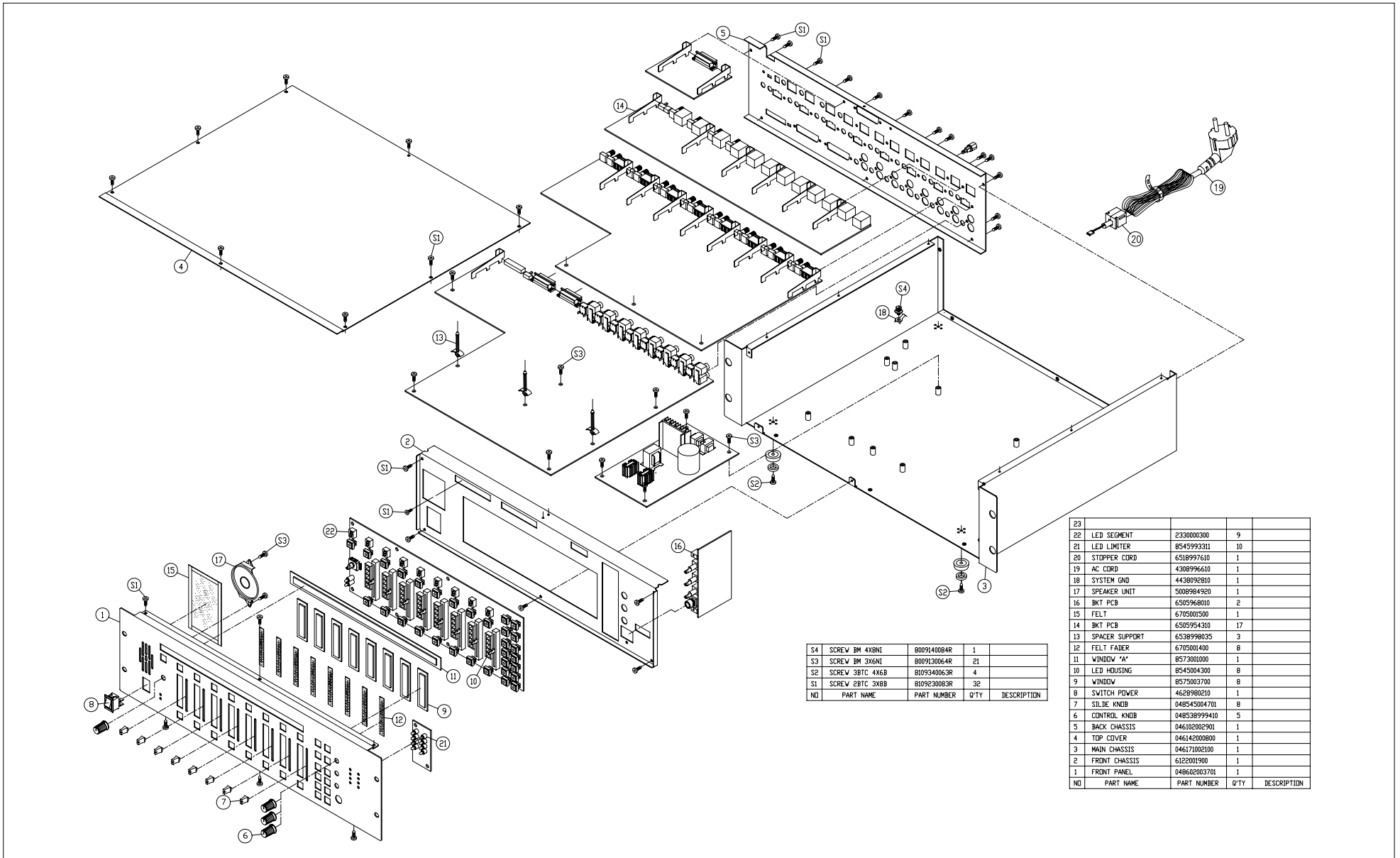
MAIN B'D 400 000 8600



SCHEMATIC DIAGRAM (RM-8000)



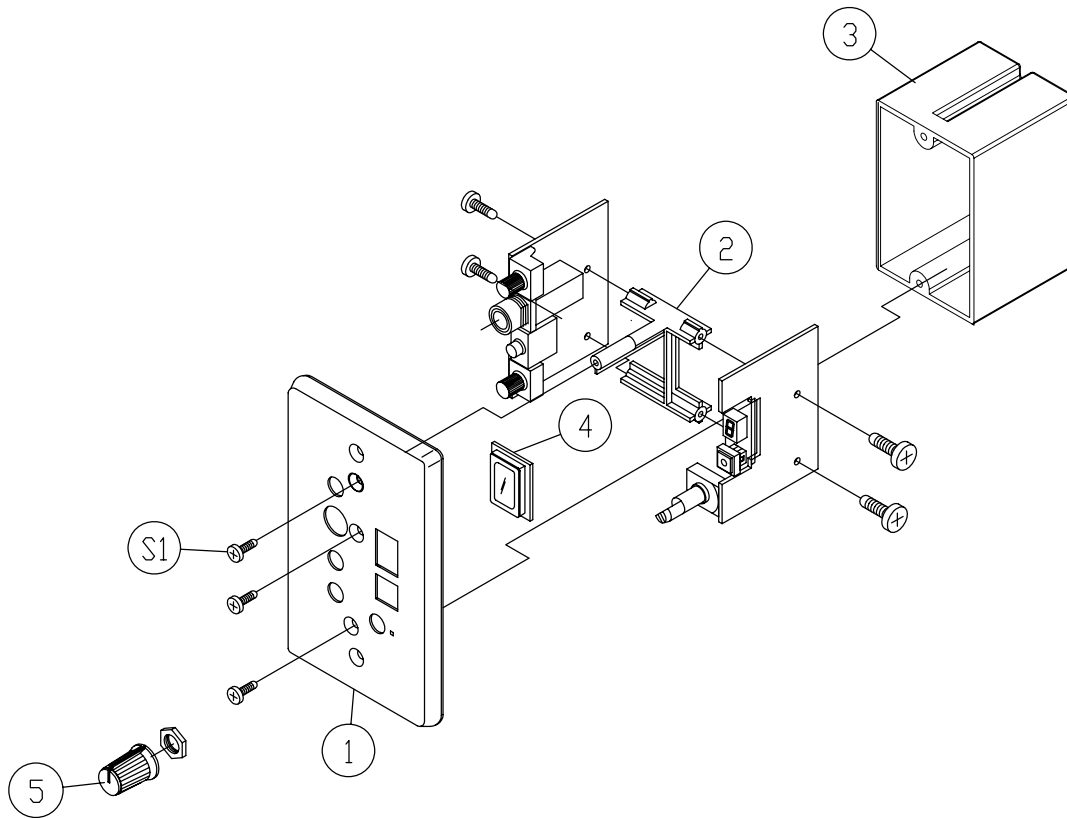
EXPLODED VIEW OF CABINET & CHASSIS / MECHANICAL PARTS LIST (PX-8000)



NO	PART NAME	PART NUMBER	QTY	DESCRIPTION
S4	SCREW BM 4X8NI	8009140084R	1	
S3	SCREW BM 3X6NI	8009130064R	21	
S2	SCREW 3BTC 4X6B	8109340063R	4	
S1	SCREW 2BTC 3X8B	8109230083R	32	

23	LED SEGMENT	2330000300	9	
22	LED LIMITER	8545993301	10	
20	STOPPER CORD	6518997610	1	
19	AC CORD	4308996610	1	
18	SYSTEM GND	4438096201	1	
17	SPEAKER UNIT	5008984920	1	
16	BKT PCB	6505968010	2	
15	FELT	6705001500	1	
14	BKT PCB	6505954310	17	
13	SPACER SUPPORT	6538998035	3	
12	FELT FAIRER	6705001400	8	
11	WINDOW *M	8573001000	1	
10	LED HOUSING	8543004300	8	
9	WINDOW	8573003700	8	
8	SWITCH POWER	4628980210	1	
7	SLIDE KNOB	048545004701	8	
6	CONTROL KNOB	048538999410	5	
5	BACK CHASSIS	046162002901	1	
4	TOP COVER	046142008000	1	
3	MAIN CHASSIS	046171002100	1	
2	FRONT CHASSIS	6122001900	1	
1	FRONT PANEL	048602003701	1	
NO	PART NAME	PART NUMBER	QTY	DESCRIPTION

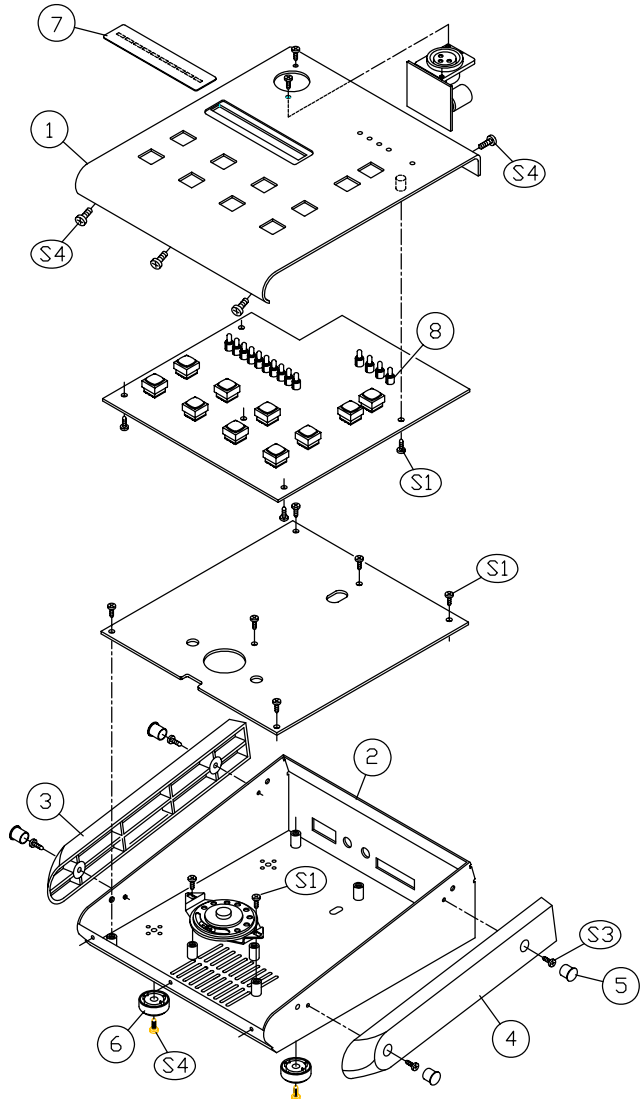
EXPLODED VIEW OF CABINET & CHASSIS / MECHANICAL PARTS LIST (LM-8000)



S1	SCREW 2BTC 3X8B	8095996510R	7	
----	-----------------	-------------	---	--

5	KNOB CONTROL	048543987017	1	
4	WINDOW	048575986810	1	
3	BOTTOM COVER	8545004600	1	
2	GUIDE	8545004500	1	
1	FRONT PANEL	048605000401	1	
No.	PART NAME	PART NUMBER	Q'TY	REMARK

EXPLODED VIEW OF CABINET & CHASSIS / MECHANICAL PARTS LIST (RM-8000)



S5	SCREW #3BTC 4X8B	8109340083	4	
S4	SCREW #3BTC 3X6N	8109330064	4	
S3	SCREW #3BTC 3X6B	8095996520	4	
S2	DOT SCREW (#2BTC 3*10B)	8095996520	2	
S1	SCREW BM 3X6NI	8095996520	11	

9				
8	LED LIMITER	8545993311	5	H=5.2
7	INLAY	8575987310	1	
6	FOOT	056335999520	4	
5	BUSHING CAP	6538995720	4	
4	SIDE PAD R	8543978520	1	
3	SIDE PAD L	8543978510	1	
2	MAIN CHASSIS	6122687810	1	
1	FRONT PANEL	8602962210	1	
No.	PART NAME	PART NUMBER	Q'TY	REMARK