

SERVICE

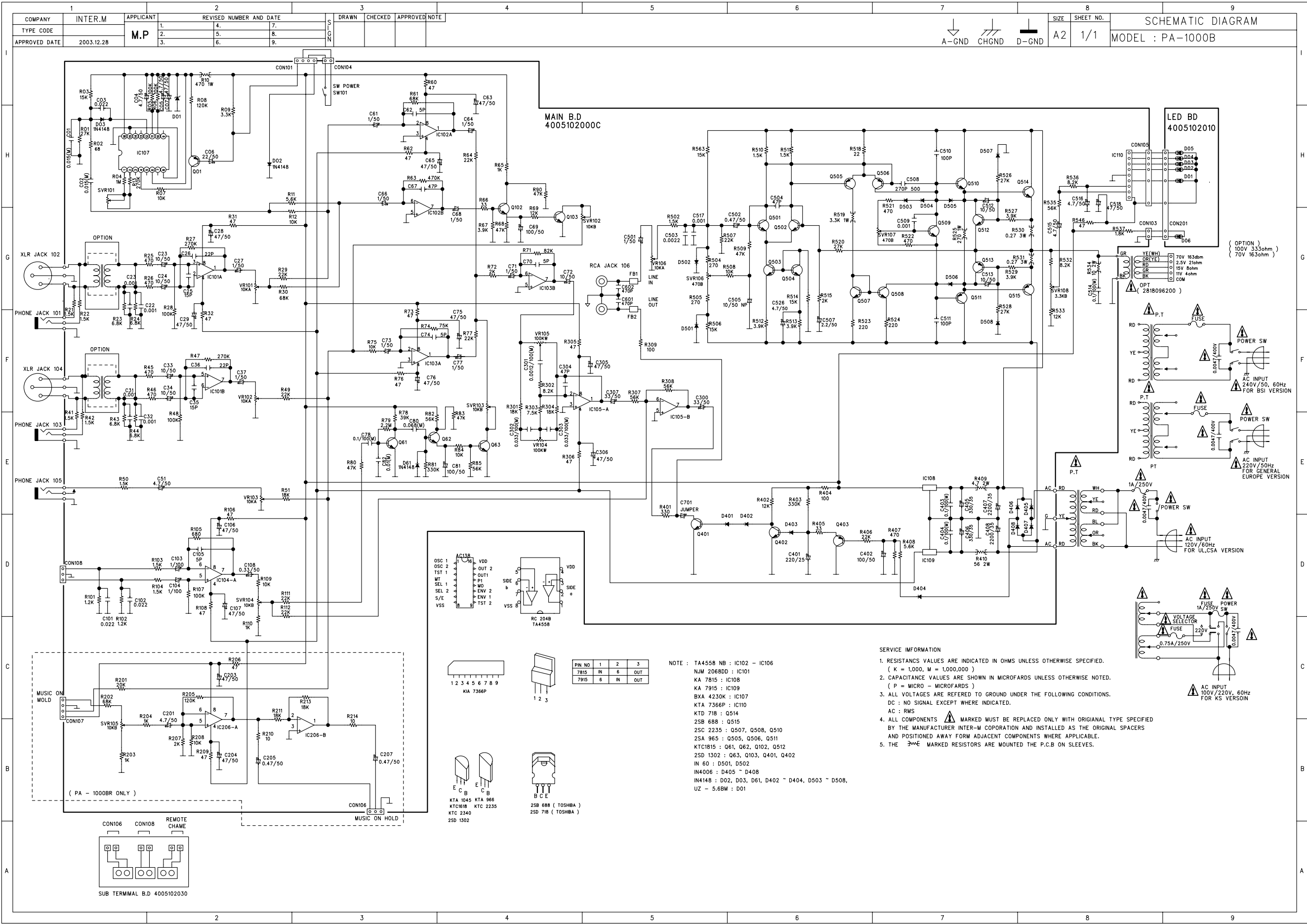
MANUAL

A M P L I F I E R

RECEIVER

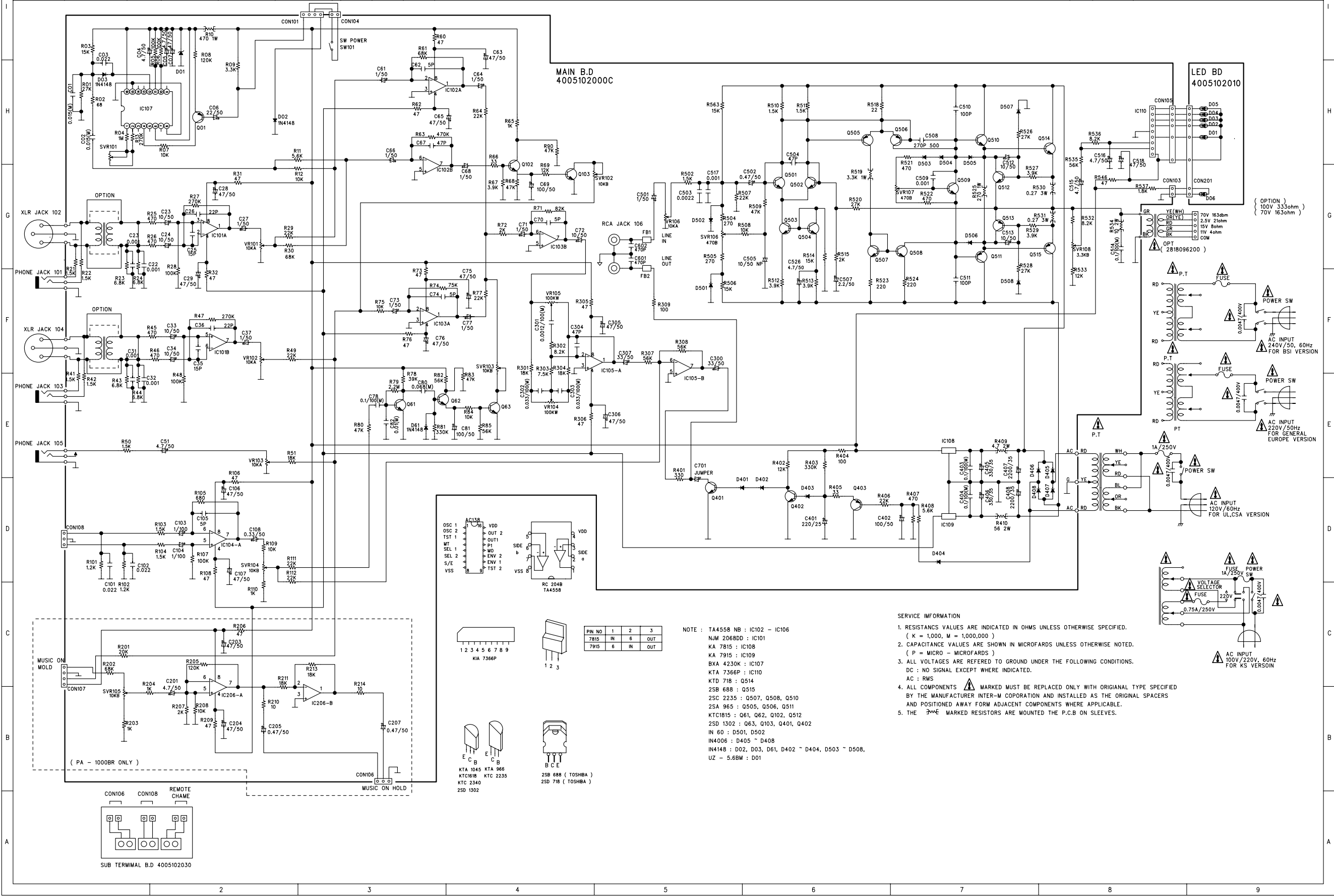
PA-1000B/1000BR

interM



COMPANY	INTER.M	APPLICANT	REVISED NUMBER AND DATE			DRAWN	CHECKED	APPROVED	NOTE
TYPE CODE		M.P	1.	4.	7.				
APPROVED DATE	2003.12.28		2.	5.	8.				
			3.	6.	9.				

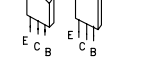
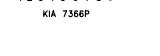
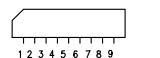
SIZE SHEET NO. SCHEMATIC DIAGRAM
 A2 1/1 MODEL : PA-1000B



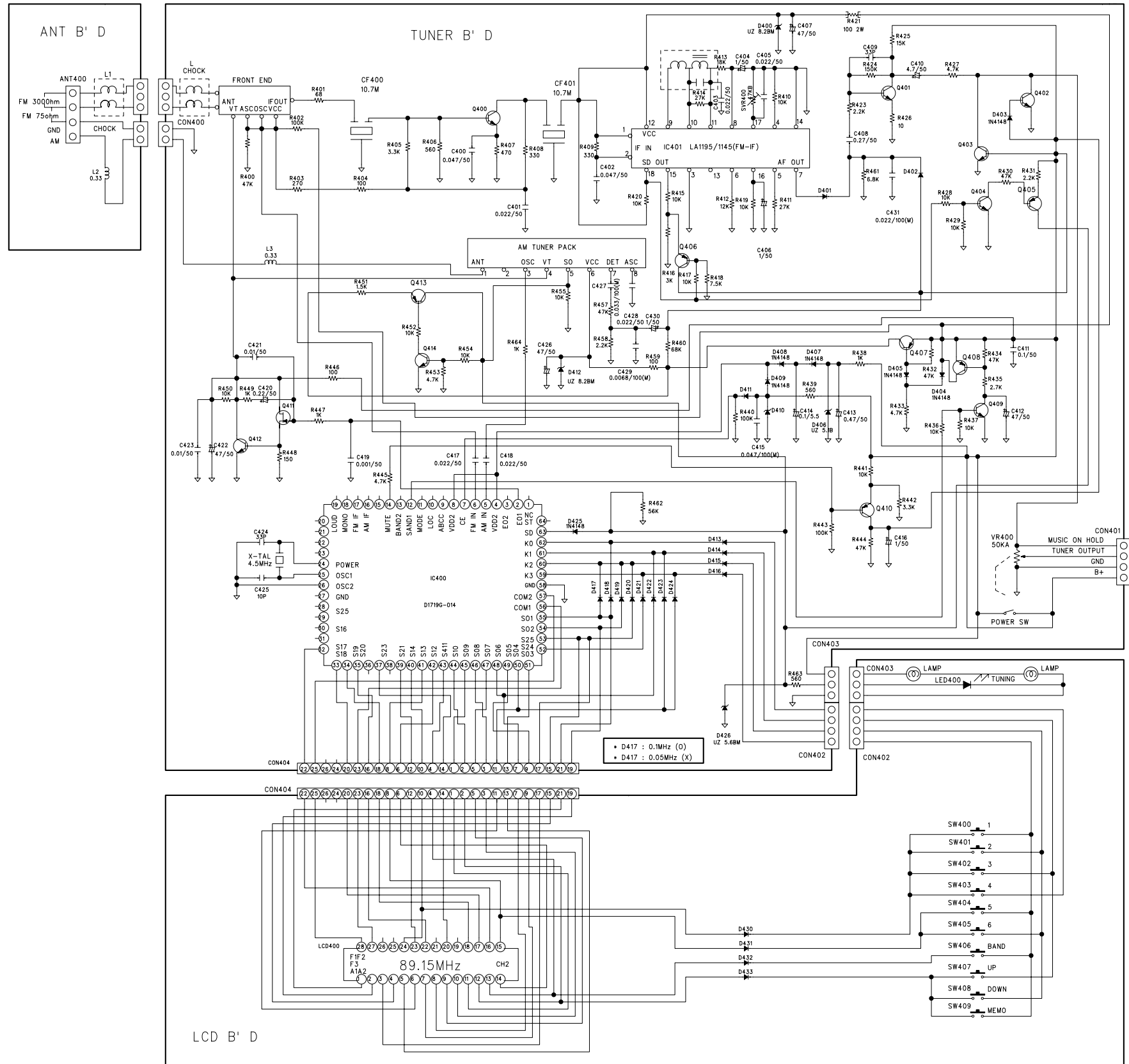
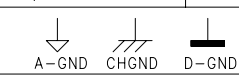
- SERVICE INFORMATION**
- RESISTANCE VALUES ARE INDICATED IN OHMS UNLESS OTHERWISE SPECIFIED. (K = 1,000, M = 1,000,000)
 - CAPACITANCE VALUES ARE SHOWN IN MICROFARDS UNLESS OTHERWISE NOTED. (P = MICRO - MICROFARDS)
 - ALL VOLTAGES ARE REFERRED TO GROUND UNDER THE FOLLOWING CONDITIONS.
 DC : NO SIGNAL EXCEPT WHERE INDICATED.
 AC : RMS
 - ALL COMPONENTS MARKED WITH A TRIANGLE MUST BE REPLACED ONLY WITH ORIGINAL TYPE SPECIFIED BY THE MANUFACTURER INTER-M CORPORATION AND INSTALLED AS THE ORIGINAL SPACERS AND POSITIONED AWAY FROM ADJACENT COMPONENTS WHERE APPLICABLE.
 - THE Σ MARKED RESISTORS ARE MOUNTED THE P.C.B ON SLEEVES.

NOTE :
 TA4558 NB : IC102 - IC106
 NUM 2068DD : IC101
 KA 7815 : IC108
 KA 7915 : IC109
 BX4 4230K : IC107
 KTA 7366P : IC110
 KTD 718 : Q514
 2SB 688 : Q515
 2SC 2235 : Q507, Q508, Q510
 2SA 965 : Q505, Q506, Q511
 KTC1815 : Q61, Q62, Q102, Q512
 2SD 1302 : Q63, Q103, Q401, Q402
 IN 60 : D501, D502
 IN4006 : D405 ~ D408
 IN4148 : D02, D03, D61, D402 ~ D404, D503 ~ D508,
 UZ - 5.68M : D01

PIN NO.	1	2	3
7815	IN	6	OUT
7915	6	IN	OUT

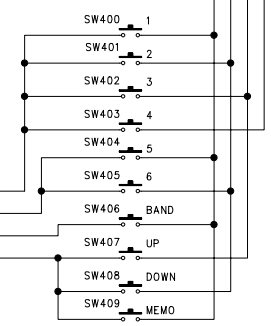


1		2		3		4		5		6		7		8		9	
COMPANY	INTER.M	APPLICANT	REVISED NUMBER AND DATE			DRAWN	CHECKED	APPROVED	NOTE			SIZE	SHEET NO.	SCHEMATIC DIAGRAM			
TYPE CODE	03.12.28	M.P	1.	4.	7.	M.Y Park						A2	1/1	MODEL : PA-1000BR			
APPROVED DATE			2.	5.	8.	00.00.00											
			3.	6.	9.												



NOTE : - IC -
 UPD 1719G-014 : IC400
 LA - 1145 : IC401
 - TR -
 2SC3196 : Q404, 414, 409
 2SA1266 : A405-408, 410, 413
 2SD1302 : Q402, 403
 2SK168D : Q411
 2SC3198BL : Q401
 2SC3200BL : Q412
 2SC3194 : Q400
 - DIODE -
 IN4148 : D401-405, 407-409, 411, 413-425, 430-433
 UZ5.6BM : D410, 425
 UZ8.2BM : D400, 412
 UZ5.1BM : D406

- SERVICE INFORMATION
- RESISTANCE VALUES ARE INDICATED IN OHMS UNLESS OTHERWISE SPECIFIED.
(K = 1,000, M = 1,000,000)
 - CAPACITANCE VALUES ARE SHOWN IN MICROFARADS UNLESS OTHERWISE NOTED.
(P = MICRO - MICROFARADS)
 - ALL VOLTAGES ARE REFERRED TO GROUND UNDER THE FOLLOWING CONDITIONS.
DC : NO SIGNAL EXCEPT WHERE INDICATED.
AC : R M S
 - PRECAUTION -
 A) ALL COMPONENTS MARKED MUST BE REPLACED ONLY WITH ORIGINAL TYPE SPECIFIED BY MANUFACTURER. INKEL P.A CORPORATION AND INSTALLED AS THE ORIGINAL SPACERS AND POSITIONED AWAY FROM ADJACENT COMPONENTS WHERE APPLICABLE.
 B) ALL SOLDERING MUST BE DONE IN A PROFESSIONAL MANNER USING SOLDER WHITE RESINE CORE ONLY.
 C) ALL COVERS, SHIELD AND INSULATING SPACERS MUST BE REPLACED BEFORE RETURNING APPLIANCE TO CUSTOMER.
 D) A DAMAGE POWER SUPPLY CORD MUST BE REPLACED BEFORE RETURNING TO CUSTOMER.
 E) DIELECTRIC TEST CONSISTING OF 120V AC 50Hz IS TO BE APPLIED BETWEEN CONDUCTIVE SURFACE OF THE APPLIANCE FOR A PERIOD OF NOT LESS THAN ONE SECOND BEFORE RETURNING APPLIANCE TO CUSTOMER.
 F) THE MARKED RESISTORS ARE MOUNTED THE P.C.B ON SLEEVES.



ELECTRICAL PARTS LIST (PA-1000B/1000BR)

Ref No.	Part No.	Description	Value	Qty	Remark
MAIN PCB B'D 4005102000C (PA - 1000B)					
C505	3409710070-T	CAP AF NP 10UF 50V 6 P	10/50 NP	1	
C401	3409222141-T	CAP AF RSA 220UF 25V 10 P	220/25	1	
C108	3409233871-T	CAP AF RSG 0.33UF 50V 5 P	0.33/50	1	
C502	3409247871-T	CAP AF RSG 0.47UF 50V 5 P	0.47/50	1	
C69 C81 C402	3409210171-T	CAP AF RSG 100UF 50V 8 P	100/50	3	
C23-24 C33-34 C72 C512-513	3409210071-T	CAP AF RSG 10UF 50V 5 P	10/50	7	
C103-104	3409210991-T	CAP AF RSG 1UF 100V 5 P	1/100	2	
C27 C37 C61 C64 C66 C68 C71 C73 C77 C501	3409210971-T	CAP AF RSG 1UF 50V 5 P	1/50	10	
C507	3409222971-T	CAP AF RSG 2.2UF 50V 5 P	2.2/50	1	
CO6	3409222071-T	CAP AF RSG 22UF 50V 5 P	22/50	1	
C300 C307	3409233071-T	CAP AF RSG 33UF 50V 6 P	33/50	2	
C51 C515-516 C526 CO4-5	3409247971-T	CAP AF RSG 4.7UF 50V 5 P	4.7/50	6	
C28-29 C63 C65 C75-76 C106-107 C305-306 C518 CO7	3409247071-T	CAP AF RSG 47UF 50V 6 P	47/50	12	
C601-602	3509471231-A	CAP CE B 470PF 50V K AXIAL	470P	2	
C22 C31-32 C509 C517 CO9	3509102530-T	CAP CE B 0.001UF 50V J	0.001	6	
C503	3509222530-T	CAP CE B 0.0022UF 50V K	0.0022	1	
C101-102 CO3	3509223530-T	CAP CE F 0.022UF 50V Z	0.022	3	
C510-511	3509101130-T	CAP CE SL 100PF 50V J	100P	2	
C25 C35	3509150130-T	CAP CE SL 15PF 50V J	15P	2	
C26 C36	3509220130-T	CAP CE SL 22PF 50V J	22P	2	
C508	3509271130-T	CAP CE SL 270PF 50V J	270P 500	1	
C67 C304 C504	3509470130-T	CAP CE SL 47PF 50V J	47P	3	
C62 C70 C74 C105	3509509030-T	CAP CE SL 5PF 50V J	5P	4	
C301	3609122120-T	CAP MA 0.0012UF 100V J	0.0012/100(M)	1	
CO1-2	3609153120-T	CAP MA 0.015UF 100V J	0.015(M)	2	
C82	3609103120-T	CAP MA 0.01UF 100V	0.01(M)	1	
C302-303	3609333120-T	CAP MA 0.033UF 100V J	0.033/100(M)	2	
C80	3609683120-T	CAP MA 0.068UF 100V J	0.068(M)	1	
C78 C403-404 C514	3609104120-T	CAP MA 0.1UF 100V J	0.1/100(M)	4	
C407-408	3408222261	CAP RSA 220UF 35V SNAP 18 P	2200/35	2	
C405-406	3408233161	CAP RSA 330UF 35V SNAP 13 P	330/35	2	
CON108	4428598303	CONNECTOR WAFER LW-0640-3P	LW0640-03	1	
CON105	4428598306	CONNECTOR WAFER LW-0640-6P	LW-0640-6P	1	
D501-502	2058010101	DIODE IN 60	1N 60	2	
D61 D401-404 D503-508 DO2-3	2058304100	DIODE IN4148M	1N4148	13	
D405-408	2058100996	DIODE RECTIFIER LT1N4006(4007)	1N 4006	4	
DO1	2058502056	DIODE ZENER UZ-5.6BM(1N5232B)	UZ 5.6BM	1	
IC107	2128740209	IC BXA4230K	BXA 4230K	1	
IC108	2128610900	IC KA7815 COMMON	7815	1	
IC109	2128610800	IC MC7915 COMMON	7915	1	
IC101B	2118010432	IC NJM2068DD JRC	NJM 2068DD	1	
IC102-105	2118010590	IC NJM4558D JRC	4558D	4	
JACK101, 103, 105	4438097310	JACK PHONE 4P	PHONE 4P	3	
JACK106	4438198710	JACK RCA 2P	RCA 2P	1	
JACK102 JACK104	4438099410	JACK XLR	XLR	2	
C701	1508400501	JUMP WIRE(0.5/52M/M)	JUMPER	1	
SVR101	1508400501	JUMP WIRE(0.5/52M/M)	JUMPER	1	
IC110	2118030405	KIA6966S	KIA6966S	1	
Q505-506 Q511	2008206998-T	KTA1023-Y-AT	2SA 965Y(KTA1023Y)	3	

Q507-508 Q510	2008407970-T	KTC1027-Y-AT	2SC 2235Y(KTC1027Y)	3	
Q501-504 Q509	2008606108-T	KTC3200-BL-AT	KTC 2240BL(KTC3200BL)	5	
Q63 Q103 Q401-402	2008606998-T	KTD1302-AT	KTD 1302	4	
CON103-104	4428595002	LW5267/LWB0640/2.5MM-02P	LW-5267-2P	2	
SW1-2 SW101	4628034910	POWER SWITCH PS3 22SP W4CW	SW POWER	3	
R530-531	3059278673	RES CE 0.27 3W	0.27 3W	2	
R101-102	3009122973	RES CF 1.2K 1/5W J N	1.2K	2	
R21-22 R41-42 R50 R103-104 R502 R510-511	3009152973	RES CF 1.5K 1/5W J N	1.5K	10	
R537	3009182973	RES CF 1.8K 1/5W J N	1.8K	1	
R309 R404	3009101973	RES CF 100 1/5W J N	100	2	
R28 R48 R107 RO5-6	3009104973	RES CF 100K 1/5W J N	100K	5	
R12 R75 R84 R109 R508 RO7	3009103973	RES CF 10K 1/5W J N	10K	6	
RO8	3009124973	RES CF 120K 1/5W J N	120K	1	
R69 R402 R533	3009123973	RES CF 12K 1/5W J N	12K	3	
R506 R514 R563 RO3	3009153973	RES CF 15K 1/5W J N	15K	4	
R51 R301 R304	3009183973	RES CF 18K 1/5W J N	18K	3	
R51	3009124973	RES CF 120K 1/5W J N	120K	1	E
R65 R110	3009102973	RES CF 1K 1/5W J N	1K	2	
RO4	3009105973	RES CF 1M 1/5W J N	1M	1	
R79	3009225973	RES CF 2.2M 1/5W J N	2.2M	1	
R518	3009220973	RES CF 22 1/5W J N	22	1	
R523-524	3009221973	RES CF 220 1/5W J N	220	2	
R29 R49 R64 R77 R111-112 R406 R507	3009223973	RES CF 22K 1/5W J N	22K	8	
R504-505	3009271973	RES CF 270 1/5W J N	270	2	
R13 R27 R47	3009274973	RES CF 270K 1/5W J N	270K	3	
R520 R526 R528 RO1	3009273973	RES CF 27K 1/5W J N	27K	4	
R72 R515	3009202973	RES CF 2K 1/5W J N	2K	2	
RO9	3009332973	RES CF 3.3K 1/5W J N	3.3K	1	
R67 R512-513 R527 R529	3009392973	RES CF 3.9K 1/5W J N	3.9K	5	
R66 R405	3009330973	RES CF 33 1/5W J N	33	2	
R401	3009331973	RES CF 330 1/5W J N	330	1	
R81 R403	3009334973	RES CF 330K 1/5W J N	330K	2	
R78	3009393973	RES CF 39K 1/5W J N	39K	1	
R31-32 R60 R62 R73 R76 R106 R108 R305-306 R546	3009470973	RES CF 47 1/5W J N	47	11	
R106	3009182273	RES CF 1.8K 1/4W J	1.8K		E
R25-26 R45-46 R407 R521-522	3009471973	RES CF 470 1/5W J N	470	7	
R63	3009474973	RES CF 470K 1/5W J N	470K	1	
R68 R80 R83 R90 R509	3009473973	RES CF 47K 1/5W J N	47K	5	
R11 R408	3009562973	RES CF 5.6K 1/5W J N	5.6K	2	
R82 R85 R307-308 R535	3009563973	RES CF 56K 1/5W J N	56K	5	
R23-24 R43-44	3009682973	RES CF 6.8K 1/5W J N	6.8K	4	
RO2	3009680973	RES CF 68 1/5W J N	68	1	
R105	3009681973	RES CF 680 1/5W J N	680	1	
R105	3009432973	RES CF 4.3K 1/5W JN	4.3K		E
R30 R61	3009683973	RES CF 68K 1/5W J N	68K	2	
R303	3009752973	RES CF 7.5K 1/5W J N	7.5K	1	
R74	3009753973	RES CF 75K 1/5W J N	75K	1	
R302 R532 R536	3009822973	RES CF 8.2K 1/5W J N	8.2K	3	
R71	3009823973	RES CF 82K 1/5W J N	82K	1	
R534	3039100572-F	RES MO 10 2W J N	10 2W	1	
R525	3039271472-F	RES MO 270 1W J	270 1W	1	

R519	3039332472-F	RES MO 3.3K 1W J	3.3K 1W	1	
R409	3039479572-F	RES MO 4.7 2W J N	4.7 2W	1	
R10	3039471472-F	RES MO 470 1W J	470 1W	1	
R410	3039560572-F	RES MO 56 2W J N	56 2W	1	
SVR108	3248333220	RES RH0615C100332	3.3KB	1	
SVR106-107	3248347120	RES RH0615C100471 (470B)	470B	2	
SVR103	3248310320	RES SEMI RH0615C100103	10KB	1	
CON11	4408196605	TERMINEL SCREW 5P PA-1000AR,A	TERMINAL SCREW 5P	1	
Q514	2028407109	TR NPN 2SC5197 TOSHIBA	2SC5197 TOSHIBA	1	
Q403 Q513 QO1	2008606105-T	TR NPN KTA1266-Y-AT TO-92	KTA1266Y	3	
Q61-62 Q102 Q512	2008606104-T	TR NPN KTC3198-Y-AT TO-92	KTC 3198Y	4	
Q515	2028107106	TR PNP 2SB688(O)/2SA1940	2SB 688	1	
SVR102 SVR104	3228090110-S	VR CET 117E B10K	10KB	2	
VR101 VR102 VR103 VR106	3228089510	VR RK16K112000113A (RMX28)	10KA	4	
VR105 VR104	3228089410	VR RK16K116000114W (RMX30)	100KW	2	
CON101	4428598304	WAFER LW-0640-4P	LW-0640-4P	1	
FB1-2	2648609900	FERITE BEAD H5B	FERITE BEAD	2	

LED B'D 4005102010 (PA - 1000B)

D1-4	2300052101	LED LTL-307G-012A LITEON	307G-012A	4	
D5-6	2300050101	LED LTL-307E-012A	307E-012A	2	
CON201	4355949311	CON ASS'Y 8P PA-1000AR	ASS'Y 8P	1	

TERMINAL B'D 4005102030 (PA - 1000B)

CON36 CON47-48 CON50-52				6	
CON4				1	

MAIN PCB B'D (PA - 1000BR ONLY)

C201	3409247971-T	CAP AF RSG 4.7UF 50V 5 P	4.7/50	1	
C203-204	3409247071-T	CAP AF RSG 47UF 50V 6 P	47/50	2	
C205 C207	3409247871-T	CAP AF RSG 0.47UF 50V 5 P	0.47/50	2	
CON106	4353989610	CON ASS'Y 3P	ASS'Y 3P	1	
CON107	4355949411	CON ASS'Y 4P PA-1000AR	ASS'Y 4P	1	
IC206	2118010590	IC NJM4558D JRC	4558D	1	
R201	3009203973	RES CF 20K 1/5W J N	20K	1	
R202	3009683973	RES CF 68K 1/5W J N	68K	1	
R203-204	3009102973	RES CF 1K 1/5W J N	1K	2	
R205	3009124973	RES CF 120K 1/5W J N	120K	1	
R206 R209	3009470973	RES CF 47 1/5W J N	47	2	
R207	3009202973	RES CF 2K 1/5W J N	2K	1	
R208	3009103973	RES CF 10K 1/5W J N	10K	1	
R210 R214	3009100973	RES CF 10 1/5W J N	10	2	
R211 R213	3009183973	RES CF 18K 1/5W J N	18K	2	
SVR105	3228090110-S	VR CET 117E B10K	10KB	1	

TUNER B'D 4005412700 (PA - 1000BR ONLY)

A/PACK	3928009980	AM TUNER(FAM1-210V)	AM TUNER PACK	1	
C414	3419510401	CAP AF 0.1UF 5.5V(EECF5R5U104)	0.1/5.5	1	
C420	3409222871-T	CAP AF RSG 0.22UF 50V 5 P	0.22/50	1	
C413	3409247871-T	CAP AF RSG 0.47UF 50V 5 P	0.47/50	1	
C404 C406 C416 C430	3409210971-T	CAP AF RSG 1UF 50V 5 P	1/50	4	
C410	3409247971-T	CAP AF RSG 4.7UF 50V 5 P	4.7/50	1	
C407 C412 C422 C426	3409247071-T	CAP AF RSG 47UF 50V 6 P	47/50	4	
C419	3509102530-T	CAP CE B 0.001UF 50V J	0.001/50	1	
C409 C424	3529330210-T	CAP CE CH 33PF 50V J	33P	2	
C421 C423	3509103530-T	CAP CE F 0.01UF 50V Z	0.01/50	2	
C401 C403 C405 C417-418 C428	3509223530-T	CAP CE F 0.022UF 50V Z	0.022/50	6	
C400 C402	3509473530-T	CAP CE F 0.047UF 50V Z	0.047/50	2	
C411	3509104530-T	CAP CE F 0.1UF 50V Z	0.1/50	1	
C425	3529100110-T	CAP CE RH 10PF 50V D	10P	1	

C429	3609682120-T	CAP MA 0.0068UF 100V J	0.0068/100(M)	1	
C431	3609223120-T	CAP MA 0.022UF 100V J	0.022/100(M)	1	
C427	3609333120-T	CAP MA 0.033UF 100V J	0.033/100(M)	1	
C415	3609473120-T	CAP MA 0.047UF 100V	0.047/100(M)	1	
C408	3639274111-T	CAP ECO-V 1H274JL2 0.27UF 50V	0.27/50	1	
L	2648699980	COIL CHOCK COMMON MODE PA-608R	CHOCK	1	
L4	2628099940	COIL FM DET	FM/DET	1	
L3	2648399930	COIL PEAKING 0.33UH(PA-600RB)	0.33	1	
CON404	4355898203	CON ASSY 26P	ASS'Y 26P	1	
CON403	4428598303	CONNECTOR WAFER LW-0640-3P	LW-0640-3P	1	
CON400	4428598305	CONNECTOR WAFER LW-0640-5P	LW-0640-5P	1	
X-TAL	3908101050	CRYSTAL 4.5000MHZ 49/U 20PF	4.5MHz	1	
D401-405 D407-409 D411 D413-425	2058304100	DIODE IN4148M	1N4148	22	
D410 D426	2058502056	DIODE ZENER UZ-5.6BM(1N5232B)	UZ 5.6BM	2	
D400 D412	2058502082	DIODE ZENER UZ-8.2BM(1N5237B)	UZ 8.2BM	2	
D406	2058500051	DIODE ZENER UZ-5.1B(1N5231B)	UZ 5.1B	1	
Q411	2018211100-T	FET N-CH 2SK 168D SANKYOELE	2SK 168D	1	
CF400-401	3908011001	FILTER SK107M3-AO-20 TOKO	10.7M	2	
F/E	3928009990	TUNER PACK(AM)	TUNER PACK(AM)	1	
IC401	2168417994	IC LA 1145(FM IF) SANYO	LA1195/1145(FM-IF)	1	
IC400	2138013995	IC UPD1719G-014 12	D1719G-014	1	
Q400	2008406103-T	KTC3194-Y-AT	KTC 3194Y	1	
Q401	2008606101-T	KTC3198L-BL-AT	KTC 3198L	1	
Q412	2008606108-T	KTC3200-BL-AT	KTC3200BL	1	
Q402-403	2008606998-T	KTD1302-AT	KTD1302-AT	2	
S1	4628034910	POWER SWITCH PS3 22SP W4CW	POWER SW	1	
R451	3009152973	RES CF 1.5K 1/5W J N	1.5K	1	
R426	3009100973	RES CF 10 1/5W J N	10	1	
R404 R446 R459	3009101973	RES CF 100 1/5W J N	100	3	
R402 R440 R443	3009104973	RES CF 100K 1/5W J N	100K	3	
R410 R415 R417 R419-420 R428-429 R436-437 R441 R450 R452 R454-455	3009103973	RES CF 10K 1/5W J N	10K	14	
R412	3009123973	RES CF 12K 1/5W J N	12K	1	
R448	3009151973	RES CF 150 1/5W J N	150	1	
R424	3009154973	RES CF 150K 1/5W J N	150K	1	
R425	3009153973	RES CF 15K 1/5W J N	15K	1	
R413	3009183973	RES CF 18K 1/5W J N	18K	1	
R438 R447 R449 R464	3009102973	RES CF 1K 1/5W J N	1K	4	
R423 R431 R458	3009222973	RES CF 2.2K 1/5W J N	2.2K	3	
R435	3009272973	RES CF 2.7K 1/5W J N	2.7K	1	
R403	3009271973	RES CF 270 1/5W J N	270	1	
R411 R414	3009273973	RES CF 27K 1/5W J N	27K	2	
R405 R442	3009332973	RES CF 3.3K 1/5W J N	3.3K	2	
R408-409	3009331973	RES CF 330 1/5W J N	330	2	
R416	3009302973	RES CF 3K 1/5W J N	3K	1	
R427 R433 R445 R453	3009472973	RES CF 4.7K 1/5W J N	4.7K	4	
R407	3009471973	RES CF 470 1/5W J N	470	1	
R400 R430 R432 R434 R444 R457	3009473973	RES CF 47K 1/5W J N	47K	6	
R406 R439 R463	3009561974	RES CF 560 1/5W J N	560	3	
R462	3009563973	RES CF 56K 1/5W J N	56K	1	
R461	3009682973	RES CF 6.8K 1/5W J N	6.8K	1	
R401	3009680973	RES CF 68 1/5W J N	68	1	
R460	3009683973	RES CF 68K 1/5W J N	68K	1	
R418	3009752973	RES CF 7.5K 1/5W J N	7.5K	1	
R421	3039101572-F	RES MO 100 2W J N	100 2W	1	
SVR400	3248347320	RES RH0615C100473	47KB	1	
Q405-408 Q410 Q413	2008606105-T	TR NPN KTA1266-Y-AT TO-92	KTA1266Y	6	

Q404 Q409 Q414	2008606104-T	TR NPN KTC3198-Y-AT TO-92	KTC 3198Y	3	
VR400	3228081910	VR 50KA (RMG57)	50KA	1	
CON401-402	4428598304	WAFER LW-0640-4P	LW-0640-4P	2	

LCD B'D (PA - 1000BR ONLY)

CON404-1	4355898203	CON ASS'Y 26P	ASS'Y 26P	1	
CON6	4428598303	CONNECTOR WAFER LW-0640-3P	LW-0640-3P	1	
D430-433	2058304100	DIODE IN4148M	1N4148	4	
CON7-8	2528000900	LAMP 14V40MA PI-TYPE PA-1000AR	14V 40mA	2	
LCD400	2338170397	LCD SLC-5056RS-1/C3	LCD SLC-5056RS	1	
LED400	2308237222-T	SLR 34VC 25	SLR 34VC 70F-124	1	
SW400-409	4628994320	SW THCT THVV502GAA	THVV502GAA	10	
CON5	4428598304	WAFER LW-0640-4P	LW-0640-4P	1	

ANT B'D (PA - 1000BR ONLY)

ANT400	2608299880	ANT AM LOOP (POP-30/60/120)	AM	1	
L1	2648699980	COIL CHOCK COMMON MODE PA-608R	CHOCK	1	
L2	2648399930	COIL PEAKING 0.33UH(PA-600RB)	0.33	1	
CON405	4428598305	CONNECTOR WAFER LW-0640-5P	LW-0640-5P	1	

PA - 1000B

OPT	2818096200	TRANS OUTPUT PA-2000	OPT	1	
AC CORD	4308991210	AC CORD EL-210/ENDCUT(UK)	C		
	4308999910	CORD AC UL 3CORES			
CON ASS'Y	4355949210	CON ASS'Y 3P PA-1000AR			
	4355769008	CON ASS'Y 1P UL1672#22(BK)180M			
	3549472407	CAP DE2E3KH472MA4B	0.0047/400V	4	
	6525099610	TWIST-LOK STANDOFF (3NB)	TWIST LOCK	2	
	8525998410	JACK NUT (NYLON)	JACK NUT	3	
	4465999110	JACK HOOK	JACK HOOK	1	
	4448000094	SOCKET IC ZT-08-A 8PIN	ZT-08-A 8PIN	1	
	4448200210	CLLOSE & CONNECTOR CEC2SQ			
	2648609900	FERITE BEAD H5B	B		
	4448200230	END SPLICEDAC-21	B		
	4678699411	CNT PLUG 1P			
	4678699430	CNT PLUG 3P			
	2308252722	LED REF SLR-54URC R5 C.RED			
	2308252902	LED REF SLR-54GC 3GN-2 R5 C.GR			
	4355967720	FLAT WIRE 2P 120MM MX-1400			
	4408196604	TERMINEL SCREW 4P PA-1000A			
	7503098310	HEAT SINK POWER PA-1000AR,A			
	8575996520	COVER TERMINAL PA-1000A,AR			
	9057906500	MA-1206 CSA FILM LABEL			
	4465100110	GND TERMINAL			

PA - 1000BR

AC CORD	4355939508	CORD LUG 1P PA-1000AR			
CON ASS'Y	4355886907	CON ASS'Y 4P 150MM		1	
	4355886806	CON ASS'Y 3P			
	4355886613	CON ASS'Y 5P			
	4355769508	CON ASS'Y 1P WIRE (BLU)			
	4355958910	CON ASS'Y 4P 250MM B			
	4408197507	TERMINAL PLATE	R		
	4678699300	70221-0253 26P			
	4355934405	TERMINAL WIRE PP-9113			
	8575993210	FILTER LCD POP-30/60/120			
	8553011010	REFLECTOR LCD PA-F2			
	4465998310	TERMINAL(SCREW)BOARD(4T)			

PA - 1000B/BR

	5508222030	FUSE NB 31.8MM 750MA/250V KS	75A/250V		
	4458000220	HOLDER FUSE(DOME)	(PA - 1000B / BR)		

FUSE	5508112139	FUSE#218T 20MM 800MA/250V UCSK	B , C (PA - 1000B) B , R (PA - 1000BR)	E
	5508222233	FUSE NB 31.8MM 1A/250V U/C	1A/250V	
	4458000210	HOLDER FUSE FH-032(31.8MM)EDK	B , C , E (PA - 1000B) B , R (PA - 1000BR)	
AC CORD	4308994910	AC CORD (EUROPE 3 CORES)	B , E (PA - 1000B) B , R (PA - 1000BR)	
	4308991210	AC CORD EL-210/ENDCUT(UK)	C (PA - 1000B)	
	4308998610 4325000110	EV.300V L:2200)EQ-825 CORD PLUG	(PA - 1000B / BR) (PA - 1000B / BR)	
STOPPER CORD	6513000310	STOPPER CORD DOME KEMA	(PA - 1000B / BR)	
	6518999810	STOPPER CORD SR 6N3-4	B , C (PA - 1000B) B , R (PA - 1000BR)	
CON ASSY	4355769014	CON ASSY 1P UL1672#22(BK)300M	B , C (PA - 1000B) B , R (PA - 1000BR)	
TERMINAL PLATE	4408197505	TERMINAL PLATE PA-1000A,AR	B , C (PA - 1000B) B (PA - 1000BR)	
PT	2818093200	TRANSFORMER OUTPUT PA-1000A(R)	PT	
	2828080210	TRANS POWER PA-1000A/AR (UL)		