

**SERVICE**

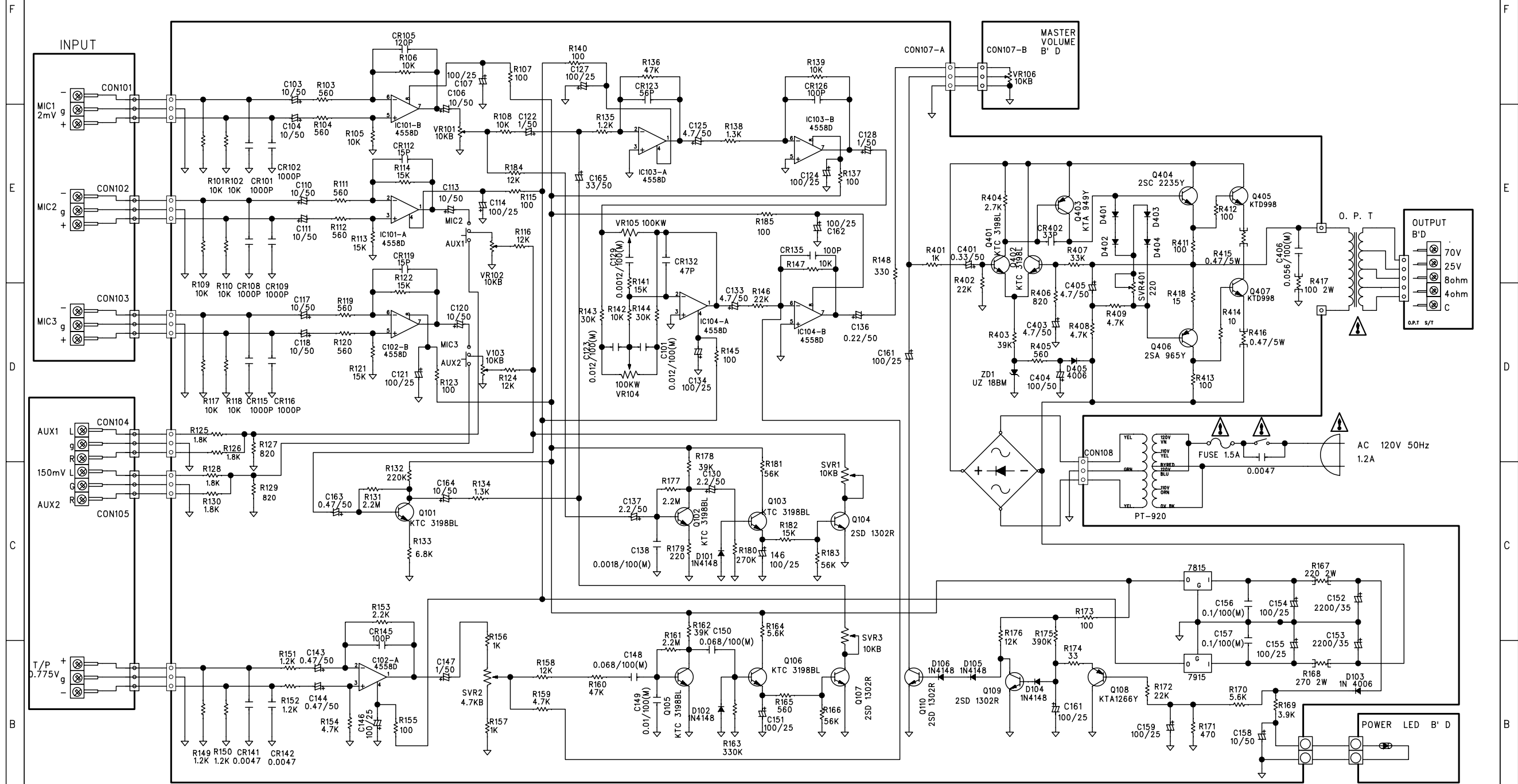
**MANUAL**

**AMPLIFIER**

**PA-920/935**

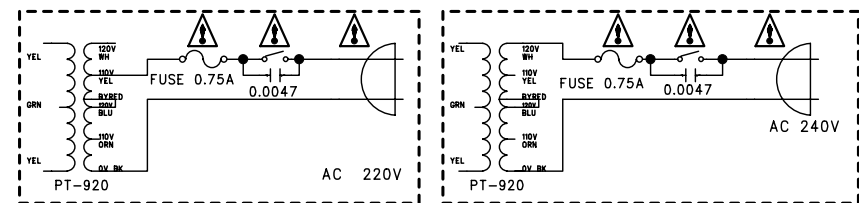
**interM**

1	2		3			4		5		6		
COMPANY	INTER.M	APPLICANT	REVISED NUMBER AND DATE			DRAWN	CHECKED	APPROVED	NOTE	SIZE	SHEET NO.	SCHEMATIC DIAGRAM MODEL: PAM-920
TYPE CODE		M.P	1.	4.	7.					A3	1/1	
APPROVED DATE	03.12.19		2.	5.	8.							



\* SERVICE INFORMATION

- RESISTANCE VALUE ARE INDICATED IN OHMS UNLESS OTHERWISE SPECIFIED. (K=1.000, M=1.000.000)
- CAPACITANCE VALUE ARE SHOWN IN MICROFARADS UNLESS OTHERWISE NOTED. (P=MICRO-MICROFARADS)
- ALL VOLTAGES ARE REFERRED TO GROUND UNDER THE FOLLOWING CONDITIONS.  
AC : RMS
- PRECAUTION-  
A) ALL COMPONENTS MARKED WITH A MUST BE REPLACED ONLY WITH ORIGINAL TYPE SPECIFIED BY THE MANUFACTURER. INTER M COPORATION AND INSTALLED AS THE AS THE ORIGINAL SPACERS AND POSITIONED AWAY FROM ADJACENT COMPONENTS WHERE APPLICABLE.  
B) ALL SOLDERING MUST BE DONE IN A PROFESSIONAL MANNER USING SOLDER WHITE RESINE CORE ONLY.  
C) ALL COVERS, SHIELD AND INSULATING SPACERS MUST BE REPLACED RETURNING APPLIANCE TO CUSTOMER.  
D) A DAMAGE POWER SUPPLY CORD MUST BE REPLACED BEFORE RETURNING TO CUSTOMER.  
E) DIELECTRIC TEST CONSISTING OF 120V AC 60HZ IS TO BE APPLIED BETWEEN BOTH BALDES OF THE POWER SUPPLY CORD ATTACHMENT PLUG THE EXPOSE CONDUCTIVE SURFACE OF THE APPLIANCE FOR A PERIOD OF NOT LESS THAN ONE SECOND BEFORE RETURNING APPLIANCE TO CUSTOMER.  
F) THE MARKED RESISTORS ARE MOUNTED THE P.C.B ON SLEEVES.



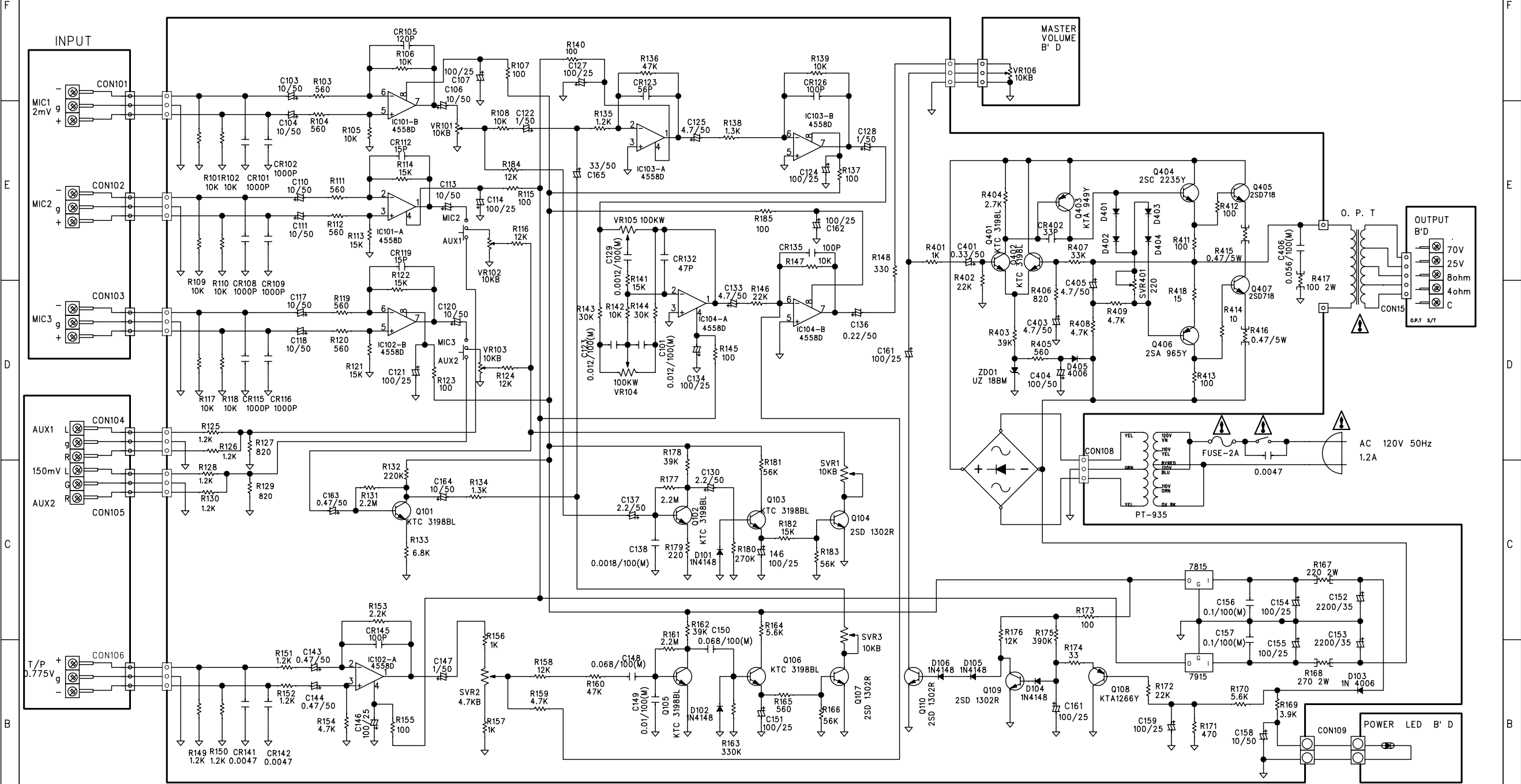
1	2	3	4	5	6
---	---	---	---	---	---

**ELECTRICAL PARTS LIST (PA-920/935)**

Ref No.	Part No.	Description	Value	Qty
MAIN(4003119000)				
CR141-142	3509472530-T	CAP CE F 0.0047UF 50V Z	0.0047	2
CR101-102 CR108-109 CR115-116	3539102231-A	CAP CE YP 1000PF 50V K AXIAL	1000P	6
CR126 CR135 CR145	3509101231-A	CAP CE B 100PF 50V K AXIAL	100P	3
CR105	3509121231-A	CAP CE B 120PF 50V K AXIAL	120P	1
CR112 CR119	3529150311-A	CAP CE SL 15PF 50V J AXIAL	15P	2
CR402	3529330311-A	CAP CE SL 33PF 50V J AXIAL	33P	1
CR132	3529470311-A	CAP CE SL 47PF 50V J AXIAL	47P	1
CR123	3529560311-A	CAP CE SL 56PF 50V J AXIAL	56P	1
CON108	4428596603	LOCK WAFER LW-1143-03P		1
CON107	4355931310	CON ASSY 3P PA-920		1
CON101-106	4355931105	CON ASSY 9P PA-920		6
D103	2058100996	DIODE RECTIFIER LT1N4006(4007)	1N 4006	1
D101-102 D104-106 D401-404	2058304100	DIODE IN4148M	1N4148	9
C136	3409222871-T	CAP AF RSG 0.22UF 50V 5 P	0.22/50	1
C401	3409233871-T	CAP AF RSG 0.33UF 50V 5 P	0.33/50	1
C143-144 C163	3409247871-T	CAP AF RSG 0.47UF 50V 5 P	0.47/50	3
C122 C128 C147	3409210971-T	CAP AF RSG 1UF 50V 5 P	1/50	3
C103-104 C106 C110-111 C113 C117-118 C120 C158 C164	3409210071-T	CAP AF RSG 10UF 50V 5 P	10/50	11
C107 C114 C121 C124 C127 C134 C146 C151 C154-155 C159 C161-162 C146-1 C161-1	3409210141-T	CAP AF RSG 100UF 25V 6 P	100/25	15
C404	3409210171-T	CAP AF RSG 100UF 50V 8 P	100/50	1
C130 C137	3409222971-T	CAP AF RSG 2.2UF 50V 5 P	2.2/50	2
C152-153	3408222261	CAP RSA 2200UF 35V SNAP 18 P	2200/35	2
C165	3409233071-T	CAP AF RSG 33UF 50V 6 P	33/50	1
C125 C133 C403 C405	3409247971-T	CAP AF RSG 4.7UF 50V 5 P	4.7/50	4
IC102 IC101 IC103-104	2118010590	IC NJM4558D JRC	4558D	4
IC7815	2128610900	IC KA7815 COMMON	7815	1
IC7915	2128610800	IC MC7915 COMMON	7915	1
C129	3609122120-T	CAP MA 0.0012UF 100V J	0.0012/100(M)	1
C138	3609182120-T	CAP MA 0.0018UF 100V J	0.0018/100(M)	1
C149	3609103120-T	CAP MA 0.01UF 100V	0.01/100(M)	1
C101 C123	3609123120-T	CAP MA 0.012UF 100V J	0.012/100(M)	2
C406	3609563120-T	CAP MA 0.056UF 100V	0.056/100(M)	1
C148 C150	3609683120-T	CAP MA 0.068UF 100V J	0.068/100(M)	2
C156-157	3609104120-T	CAP MA 0.1UF 100V J	0.1/100(M)	2
VR104-105	3228089410	VR RK16K116000114W (RMX30)	100KW	2
Q104 Q107 Q109-110	2008610600-T	TR NPN 2SD 1302R	2SD 1302R	4
R135 R149-152	3009122973	RES CF 1.2K 1/5W J N	1.2K	5
R134 R138	3009132973	RES CF 1.3K 1/5W J N	1.3K	2
R125-126 R128 R130	3009182973	RES CF 1.8K 1/5W J N	1.8K	4
R125-126 R128 R130	3009822973	RES CF 8.2K 1/5W J N	8.2K E	
R107 R115 R123 R137 R140 R145 R155 R173 R185 R411-413	3009101973	RES CF 100 1/5W J N	100	12
R417	3039101572-F	RES MO 100 2W J N	100 2W	1
R414	3009100973	RES CF 10 1/5W J N	10	1

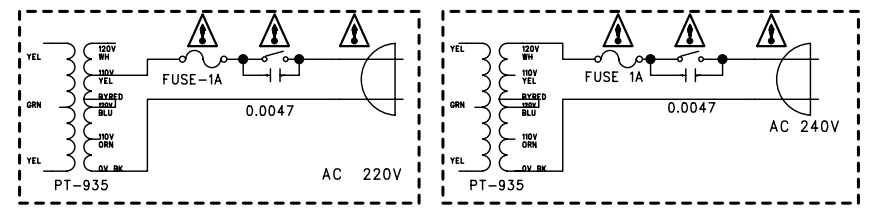
R101-102 R105-106 R108-110 R117-118 R139 R142 R147	3009103973	RES CF 10K 1/5W J N	10K	12
R116 R124 R158 R176 R184	3009123973	RES CF 12K 1/5W J N	12K	5
R418	3009150973	RES CF 15 1/5W J N	15	1
R113-114 R121-122 R141 R182	3009153973	RES CF 15K 1/5W J N	15K	6
R156-157 R401	3009102973	RES CF 1K 1/5W J N	1K	3
R153	3009222973	RES CF 2.2K 1/5W J N	2.2K	1
R153	3009622973	RES CF 6.2K 1/5W J N	6.2K E	
R131 R161 R177	3009225973	RES CF 2.2M 1/5W J N	2.2M	3
R404	3009272973	RES CF 2.7K 1/5W J N	2.7K	1
R179	3009221973	RES CF 220 1/5W J N	220	1
R167	3039221572-F	RES MO 220 2W J N	220 2W	1
R132	3009224973	RES CF 220K 1/5W J N	220K	1
R146 R172 R402	3009223973	RES CF 22K 1/5W J N	22K	3
R168	3039271572-F	RES MO 270 2W J N	270 2W	1
R180	3009274973	RES CF 270K 1/5W J N	270K	1
R169	3009392973	RES CF 3.9K 1/5W J N	3.9K	1
R143-144	3009303973	RES CF 30K 1/5W J N	30K	2
R148	3009331973	RES CF 330 1/5W J N	330	1
R163	3009334973	RES CF 330K 1/5W J N	330K	1
R174	3009330973	RES CF 33 1/5W J N	33	1
R407	3009333973	RES CF 33K 1/5W J N	33K	1
R175	3009394973	RES CF 390K 1/5W J N	390K	1
R178 R162 R403	3009393973	RES CF 39K 1/5W J N	39K	1
R154 R159 R408-409	3009472973	RES CF 4.7K 1/5W J N	4.7K	4
R154	3009622973	RES CF 6.2K 1/5W J N	6.2K E	1
R171	3009471973	RES CF 470 1/5W J N	470	1
R136 R160	3009473973	RES CF 47K 1/5W J N	47K	2
R164 R170	3009562973	RES CF 5.6K 1/5W J N	5.6K	2
R103-104 R111-112	3009561973	RES CF 560 1/5W J N	560	8
R119-120 R165 R405 R166 R181 R183	3009563973	RES CF 56K 1/5W J N	56K	3
R133	3009682973	RES CF 6.8K 1/5W J N	6.8K	1
R127 R129 R406	3009821973	RES CF 820 1/5W J N	820	3
R127 R129	3009911973	RES CF 910 1/5W J N	910 E	
D405	2058100996	DIODE RECTIFIER LT1N4006(4007)	4006	1
R415-416	3059478783	RES CE 0.47 5W J T	0.47/5W	2
VR101-VR102-VR103	3228089510	VR RK09K1130203-10KA (RO897)	10KA	2
SVR1 SVR3	3228089410	VR RK16K116000114W (RMX30)	10KB	2
SVR2	3248347220	RES SEMI CS 4.7KB 10/5	4.7KB	1
SW101-102	4628994300	SW SV10020-0202-9T-NN		2
Q404	2008407970	KTC1027-Y-AT	2SC 2235Y	1
Q405 Q407	2028407109	TR NPN 2SC5197 TOSHIBA	2SD718	2
Q405 Q407	2028406999	KTD998-O-U(PA-920)	KTD998	2
Q101-103 Q105-106	2008606999-T	KTC3198-BL-AT	KTC 3198BL	5
Q401-402	2008606101-T	KTC3198L-BL-AT	KTC 3198L	2
Q406	2008206998-T	KTA1023-Y-AT	2SA 965Y	1
Q108	2008606105-T	TR NPN KTA1266-Y-AT TO-92	KTA1266Y	1
Q403	2008206997-T	KTA1024-Y-AT	KTA 949Y	1
SVR401	3248322120	RES SEMI RH0615C100221	220	1
ZD01	2058502180	DIODE ZENER UZ-18BM(1N5248B)	UZ 18BM	1
OPT	2818091500 2818092000 5508222230 2818090300 2818090400	TRANSFORMER OUTPUT (230V)PA935 TRANSFORMER OUTPUT PA-935 TRANSFORMER OUTPUT PA-9324 TRANSFORMER OUTPUT POWER(240V)(PA-920) TRANSFORMER OUTPUT POWER(120V)(PA-920)	B E  B E	
CON9	4355931208	CONNECTOR ASSY 2P		1

1	2		3			4		5		6		
COMPANY	INTER.M	APPLICANT	REVISED NUMBER AND DATE			DRAWN	CHECKED	APPROVED	NOTE	SIZE	SHEET NO.	SCHEMATIC DIAGRAM MODEL: PAM-935
TYPE CODE		M.P	1.	4.	7.					A3	1/1	
APPROVED DATE	03.12.19		2.	5.	8.							



\* SERVICE INFORMATION

- RESISTANCE VALUE ARE INDICATED IN OHMS UNLESS OTHERWISE SPECIFIED. (K=1,000, M=1,000,000)
- CAPACITANCE VALUE ARE SHOWN IN MICROFARADS UNLESS OTHERWISE NOTED. (P=MICRO-MICROFARADS)
- ALL VOLTAGES ARE REFERRED TO GROUND UNDER THE FOLLOWING CONDITIONS.  
AC : RMS
- PRECAUTION-  
A) ALL COMPONENTS MARKED MUST BE REPLACED ONLY WITH ORIGINAL TYPE SPECIFIED BY THE MANUFACTURER. INTER M COPORATION AND INSTALLED AS THE AS THE ORIGINAL SPACERS AND POSITIONED AWAY FORM ADJACENT COMPONENTS WHERE APPLICABLE.  
B) ALL SOLDERING MUST BE DONE IN A PROFESSIONAL MANNER USING SOLDER WHITE RESINE CORE ONLY.  
C) ALL COVERS, SHIELD AND INSULATING SPACERS MUST BE REPLACED RETURNING APPLIANCE TO CUSTOMER.  
D) A DAMAGE POWER SUPPLY CORD MUST BE REPLACED BEFORE RETURNING TO CUSTOMER.  
E) DIELECTRIC TEST CONSISTING OF 120V AC 60HZ IS TO BE APPLIED BETWEEN BOTH BALDES OF THE POWER SUPPLY CORD ATTACHMENT PLUG THE EXPOSE CONDUCTIVE SURFACE OF THE APPLIANCE FOR A PERIOD OF NOT LESS THAN ONE SECOND BEFORE RETURNING APPLIANCE TO CUSTOMER.  
F) THE MARKED RESISTORS ARE MOUNTED THE P.C.B ON SLEEVES.



B/D				1
FUSE	5508212830 5508222233 5508222733 5508412236 5508222030 5508222533	FUSE NB 20MM 2.5A/250V KS FUSE NB 31.8MM 1A/250V U/C FUSE NB 31.8MM 2A/250V U/C FUSE TS 20MM 1A/250V U/C/S/V FUSE NB 31.8MM 750MA/250V KS(PA-920) FUSE NB 31.8MM1.5A/250V U/C(PA-920) FUSE TS 20MM 800MA/250V U/C/S (PA-920)	B.C.D D E B.C D E B.C	
AC CORD	4308000430 4308996710	CORD AC POWER(EUROPE KEMA) AC CORD (WITHOUT PLUG)	B C	
P/T	2828081210 2828081220 2828081200 2828074900 2828074910	POWER TRANS PA-935 (EUROPE) TRANSFORMER POWER 120V PA-935 TRANSFORMER POWER PA-935 TRANSFORMER POWER (PA-920) TRANSFORMER POWER 120V (PA-920)	B E D B E	
SW	4628992310 3549472407	SWITCH POWER PS3-22-W3AZ ( ) CAP DE2E3KH472MA4B ( (472))		1 1

**MASTER VOLUME B'D**

CON107	4355931310	CON ASS'Y 3P PA-920		1
VR106	3228089510	VR RK09K1130203-10KA (RO897)	10KA	1

**INPUT**

CON101,102,103	4428598309	CONNECTOR WAFER LW-0640-9P	E	6
CON104,105,106				
AUX1,2,3	4408195709	SCREW TERMINAL 9P		6
	4003119170	PCB AUX		
	4438097320	BOARD PHONE JACK(ST) MPA-95	E	
	4408195703	SCREW TERMINAL 3P		
	4428598306	CONNECTOR WAFER LW-0640-6P		
	4428598303	CONNECTOR WAFER LW-0640-3P		
	4355914910	CON ASS'Y 6P		
	4355914804	CON ASS'Y 3P		
MIC1,2,3	4408195709	SCREW TERMINAL 9P	E	
	4428598309	CONNECTOR WAFER LW-0640-9P	R	

**OUTPUT**

CON15	4428596605	LOCK WAFER LW-1143-05P		1
B/D				1

**POWER LED**

CON109	4428595002	LW5267/LWB0640/2.5MM-02P		1
LED	2308235731	LED REF KLR123 R3 C.RED KEC		1