

SERVICE

MANUAL

PUBLIC ADDRESS POWER

AMPLIFIER

PA-9348

interM

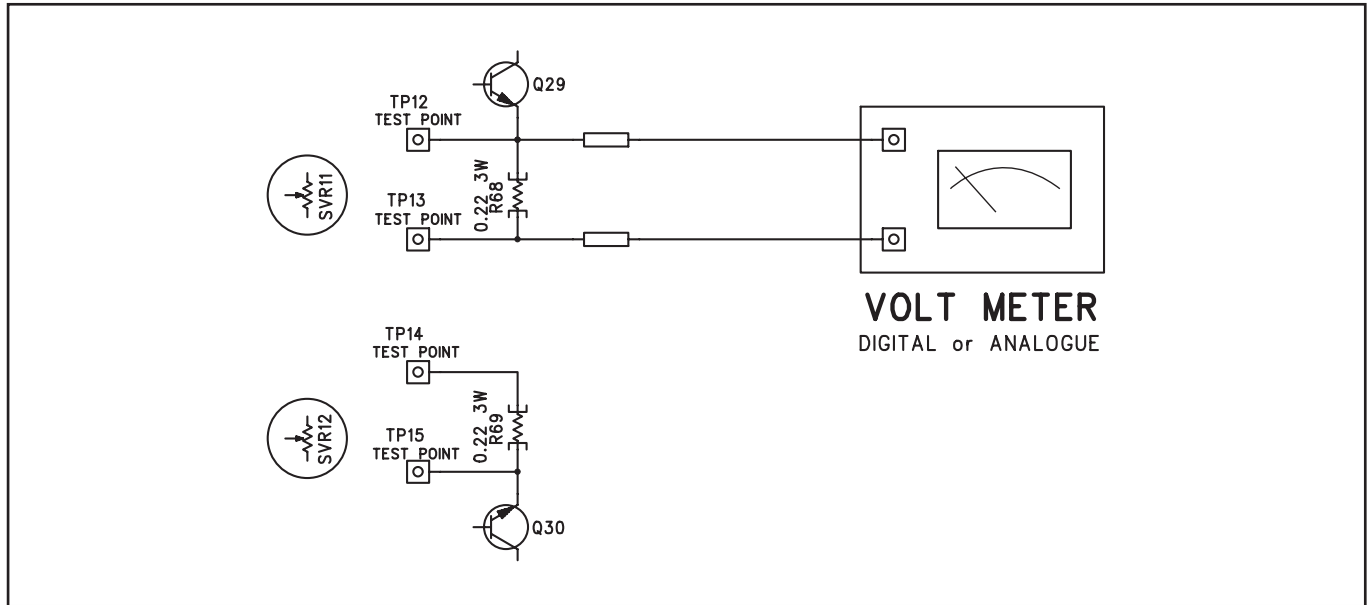
CONTENTS

Electrical Adjustment Procedure	1
Specifications	2
Electrical Parts List	3, 4,
Top and Bottom View of P.C. Board	5, 6
Wiring Diagram	7
Block Diagram	8
Schematic Diagram	9, 10
Exploded View of Cabinet & Chassis / Mechanical Parts List . .	11, 12
Ass'y Drawing	13, 14

ELECTRICAL ADJUSTMENT PROCEDURE

■ IDLE CURRENT

A. Connection



B. Adjustment

- Adjust SVR11, SVR12 so that the current through the R68, R69 become 4~7mV.
- When that voltage across the Positive "TP" to Negative "TP" becomes 4~7mV, the current becomes 18~32mA.

SPECIFICATIONS

■ ELECTRICAL

- Rated Output Power (THD 5%, 1kHz)480W
- Frequency Response (+1/-3dB)70Hz~18kHz
- Total Harmonic Distortion (1/2 Power, 1kHz).....1% or lower
- High Pass Filter (400Hz)-3dB
- Gain Control.....-12dB
- Signal-to-Noise Ratio.....90dB or higher
- Input Sensitivity/Impedance1V/10k Ω Balanced
- Output Voltage/ImpedanceEC, JAPAN: 4 Ω /43.8V, 10.2 Ω /70V, 20.8 Ω /100V
USA/CANADA: 4 Ω /43.8V, 8 Ω /62V, 10.2 Ω /70V

■ GENERAL

- Power Source.....100–120VAC or 220–240VAC; 50/60Hz, 24VDC
(Supplied AC mains transformer depends on country requirements)
- Power Consumption.....600W(1/8 power)
900W(1/3 power)
1450W(full power)
- Weight.....22kg/48lb
- Dimensions482(W)x132(H)x280(D)mm/19(W)x5.2(H)x11(D)in

* Specifications and design subject to change without notice.

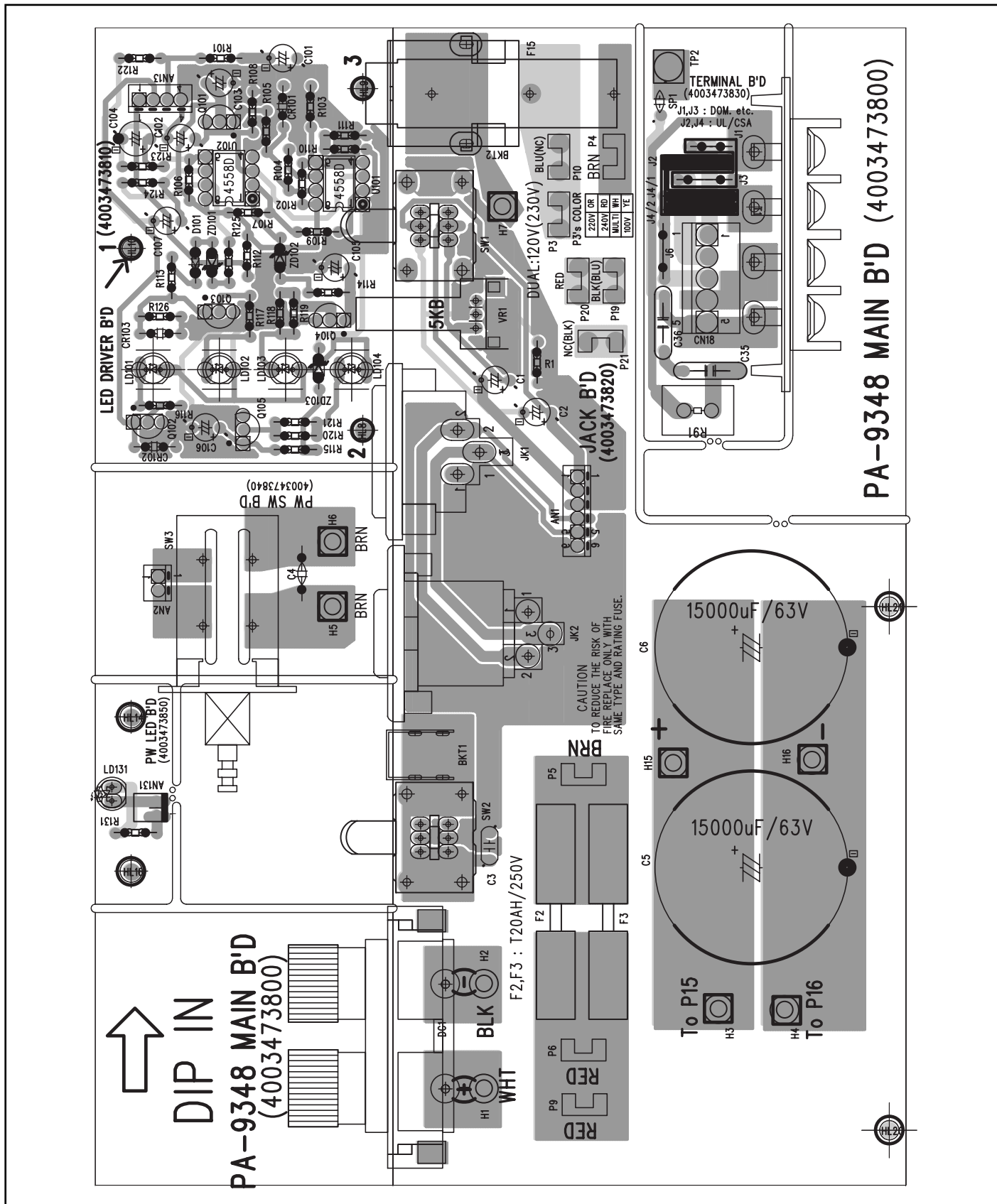
ELECTRICAL PARTS LIST

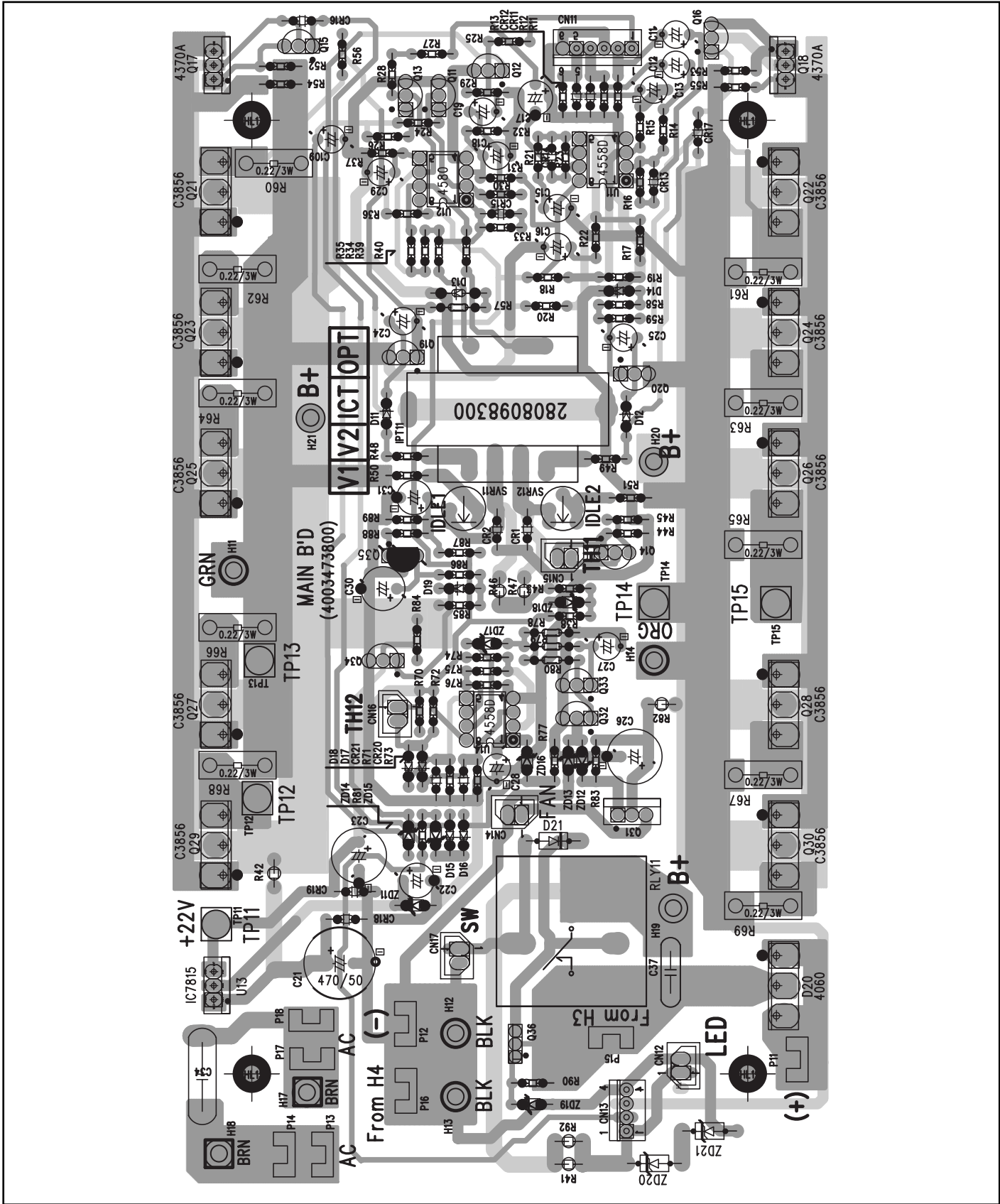
Ref No.	Part No.	Description	Value
MAIN B'D (4003473800)			
Q36	2008405999	TR,SG,NPN,100MA,250V,2SC4001,T	2SC 4001
Q31	2028406113	TR,PW,NPN,3A,60V,KTD2058,TO-22	D2058Y
Q17-18	2028407990	TR,PW,NPN,1.5A,180V,KTC4370A,T	C4370A
Q21-30	2028443880	TR,PW,NPN,15V,180V,2SC3856,TO-	C3856
D21	2058100996	DIODE,RE,1A,800V,1N4006,DO-41,	1N 4006
D20	2058300980	DIODE SCHOTTKY MBR4060PT	MBR4060
D11-19	2058304100	DIODE,SW,100MA,75V,1N4148M,DO-	1N4148
ZD11	2058501076	DIODE,ZN,500MW,BM,7.5V,DO-35,T	UZ 7.5BM
ZD15-16	2058502056	DIODE,ZN,500MW,BM,5.6V,DO-35,T	UZ 5.6BM
ZD13	2058502082	DIODE,ZN,500MW,BM,8.2V,DO-35,T	UZ 8.2BM
ZD14	2058502100	DIODE,ZN,500MW,BM,10V,DO-35,TA	UZ 10BM
ZD17	2058502120	DIODE,ZN,500MW,BM,12V,DO-35,TA	UZ 12BM
ZD12 ZD18	2058502160	DIODE,ZN,500MW,BM,16V,DO-35,TA	UZ 16BM
ZD19	2058502240	DIODE,ZN,500MW,BM,24V,DO-35,TA	UZ 24BM
ZD21	2058512150	DIODE,ZN,1W,BM,12V,DO-41,TA	12V 1W
ZD20	2058512190	DIODE,ZN,1W,BM,10V,DO-41,TA	10V 1W
U11 U14	2118010590	IC,OP AMP,NJM4558D,DIP8	4558D
U12	2118220988	IC,OP AMP,NJM4580D,DIP8	4580D
U13	2128610900	IC,VOLT REG,15V,1A,7815,TO-220	7815
TH11-12	2438209031	THERMIST,NTC,500HM,125C	TH50K
IPT11	2808098300	TRANS,IPT,150OHM,515/515OHM	I.P.T(PA-9324)
R75	3003120953	RES,MF,1.2K,1/5W,1%,AX N,TA	1.2K 1%
R74	3003324953	RES,MF,3.24K,1/5W,1%,AX N,TA	3.24K 1%
R76	3003866953	RES,MF,8.66K,1/5W,1%,AX N,TA	8.66K 1%
R70	3003909953	RES,MF,9.09K,1/5W,1%,AX N,TA	9.09K 1%
R83 R90	3009102973	RES,MF,1K,1/5W,5%,AX N,TA	1K
R11-13 R16-20	3009103973	RES,MF,10K,1/5W,5%,AX N,TA	10K
R24 R26 R29			
R79 R81			
R21-22	3009104973	RES,MF,100K,1/5W,5%,AX N,TA	100K
R73 R80			
R25	3009182973	RES,MF,1.8K,1/5W,5%,AX N,TA	1.8K
R33	3009183973	RES,MF,18K,1/5W,5%,AX N,TA	18K
R50-51	3009201973	RES,MF,200,1/5W,5%,AX N,TA	200
R30	3009202973	RES,MF,2K,1/5W,5%,AX N,TA	2K
R57-58	3009203973	RES,MF,20K,1/5W,5%,AX N,TA	20K
R48-49	3009220973	RES,MF,22,1/5W,5%,AX N,TA	22
R56 R59	3009222973	RES,MF,2.2K,1/5W,5%,AX N,TA	2.2K
R88	3009223973	RES CF 22K 1/5W J N	22K
R38 R54-55	3009271973	RES,MF,270,1/5W,5%,AX N,TA	270
R39-40 R86	3009330973	RES,MF,33,1/5W,5%,AX N,TA	33
R27	3009331973	RES,MF,330,1/5W,5%,AX N,TA	330
R45	3009391973	RES,MF,390,1/5W,5%,AX N,TA	390
R43 R52-53	3009471973	RES,MF,470,1/5W,5%,AX N,TA	470
R89			
R44	3009472973	RES,MF,4.7K,1/5W,5%,AX N,TA	4.7K
R31-32 R36-37	3009473973	RES,MF,47K,1/5W,5%,AX N,TA	47K
R77-78			
R14-15 R23	3009562973	RES,MF,5.6K,1/5W,5%,AX N,TA	5.6K
R71	3009563973	RES,MF,56K,1/5W,5%,AX N,TA	56K
R84 R87	3009682973	RES,MF,6.8K,1/5W,5%,AX N,TA	6.8K
R34-35	3009752973	RES,MF,7.5K,1/5W,5%,AX N,TA	7.5K
R72	3009753973	RES,MF,75K,1/5W,5%,AX N,TA	75K
R85	3009824973	RES,MF,820K,1/5W,5%,AX N,TA	820K
R28	3009911973	RES,MF,910,1/5W,5%,AX N,TA	910
R60-69	3059228674	RES,CE,WWW,0.22,3W,5%	0.22 3W
SVR11-12	3248310120	VR,SEMI,CF,TOP,6.4MM,100	100B
C23	3408247149	CAP,E,SM,SG,85C,470UF,25V,M,10	470/25
C21	3408247171	CAP,E,SM,SG,85C,470UF,50V,M,13	470/50
C34	3639474259	CAP EM 0.47UF 250V K	0.47/250
H17-18	4355461604	CON ASSY 1P BRN #14 250-TER	CON ASSY 1P BR
CN12 CN14-17	4428595002	CON WAFER,BOX(M),2P,ST	CON WAF 2P
CN13	4428598304	CON WAFER,LOCK(M),4P,ST	CON WAF 4P
CN11	4428598306	CON WAFER,LOCK(M),6P,ST	CON WAF 6P
P11-18	4465998210	TERMINAL(250)PCB TAB	250 TAP
TP11	4678699410	CNT PLUG 1P	CNT1P
TP12-15	4678699411	CNT PLUG 1P	CNT1P
RLY11	5528001020	RELAY 897P-1AH-D T01(DC24V).S.C	897P-1AH-D
FAN1	7308998512	FAN (F1238H24B)	F1238H24B(24V)
Q11 Q13	2008606104-T	TR,SG,NPN,150MA,50V,KTC3198,TO	C3198Y
Q19-20 Q32-34			
Q35	2008606105-T	TR,SG,PNP,150MA,50V,KTA1266,TO	A1266

Ref No.	Part No.	Description	Value
Q15-16	2008606107-T	TR,SW,NPN,150MA,50V,KTC3206,TO	C3206Y
Q14	2008606108-T	TR,SG,NPN,100MA,120V,KTC3200,T	C3200BL
Q12	2008606998-T	TR,SG,NPN,300MA,20V,KTD1302,TO	D1302
R46-47	3039102575-T	RES,MF,1K,2W,5%,RA R,TA	1K 2W
R82	3039200575-T	RES,MF,20,2W,5%,RA R,TA	20 2W
R41 R92	3039271575-T	RES,MF,270,2W,5%,RA R,TA	270 2W
R42	3039479575-T	RES,MF,4.7,2W,5%,RA R,TA	4.7 2W
C15-16 C18	3409210071-T	CAP,E,SM,SG,85C,10UF,50V,M,5P,	Oct.50
C24-25 C27-29			
C22	3409210141-T	CAP,E,SM,SG,85C,100UF,25V,M,6P	100/25
C26	3409210171-T	CAP,E,SM,SG,85C,100UF,50V,M,8P	100/50
C12-13	3409210971-T	CAP,E,SM,SG,85C,1UF,50V,M,5P,T	Jan.50
C30	3409222141-T	CAP,E,SM,SG,85C,220UF,25V,J,8P	220/25
C11	3409222971-T	CAP,E,SM,SG,85C,2.2UF,50V,M,5P	2.2/50
C31	3409233071-T	CAP,E,SM,SG,85C,33UF,50V,M,6P,	33/50
C17	3409247071-T	CAP,E,SM,SG,85C,47UF,50V,M,6P,	47/50
C19 C109	3409247971-T	CAP,E,SM,SG,85C,4.7UF,50V,M,5P	4.7/50
CR15	3509101231-A	CAP,CE,HI-DI,Y5P,100PF,50V,K,A	100P
CR13	3509121231-A	CAP,CE,HI-DI,Y5P,120PF,50V,K,A	120P
CR16-17	3509471231-A	CAP,CE,HI-DI,Y5P,470PF,50V,K,A	470P
CR14	3529050311-A	CAP,CE,TEMP,SL,5PF,50V,C,AX,TA	5P
CR11-12	3539102231-A	CAP,CE,SEMI,Y5P,1000PF,50V,K,A	1000P
CR18-21	3539104531-A	CAP,CE,SEMI,Y5V,0.1UF,50V,Z,AX	0.1u
CR1-2	3539332331-A	CAP,CE,SEMI,Y5P,3300PF,16V,M,A	3300P
LED DRIVER B'D (4003473810)			
D101	2058304100	DIODE,SW,100MA,75V,1N4148M,DO-	1N4148
ZD101	2058502091	DIODE,ZN,500MW,BM,9.1V,DO-35,T	UZ 9.1BM
ZD102-103	2058502120	DIODE,ZN,500MW,BM,12V,DO-35,TA	UZ 12BM
U101-102	2118010590	IC,OP AMP,NJM4558D,DIP8	4558D
LD101-102	2300050105	LED,RND 5MM,RED,DIF,1U,ST2.5	RED
LD103-104	2300052105	LED,RND 5MM,GRN,DIF,1U,ST2.5	GRE
R112	3004220953	RES,MF,220,1/5W,1%,AX N,TA	220 1%
R105	3009102973	RES,MF,1K,1/5W,5%,AX N,TA	1K
R107 R125	3009103973	RES,MF,10K,1/5W,5%,AX N,TA	10K
R106 R108 R123	3009104973	RES,MF,100K,1/5W,5%,AX N,TA	100K
R113	3009105973	RES,MF,1M,1/5W,5%,AX N,TA	1M
R124	3009152973	RES,MF,1.5K,1/5W,5%,AX N,TA	1.5K
R101 R104	3009183973	RES,MF,18K,1/5W,5%,AX N,TA	18K
R116-121	3009202973	RES,MF,2K,1/5W,5%,AX N,TA	2K
R110	3009222973	RES,MF,2.2K,1/5W,5%,AX N,TA	2.2K
R109	3009302973	RES,MF,3K,1/5W,5%,AX N,TA	3K
R102	3009333973	RES,MF,33K,1/5W,5%,AX N,TA	33K
R122	3009472973	RES,MF,4.7K,1/5W,5%,AX N,TA	4.7K
R111	3009681973	RES,MF,680,1/5W,5%,AX N,TA	680
R114-115	3009682973	RES,MF,6.8K,1/5W,5%,AX N,TA	6.8K
R126	3009684973	RES,MF,680K,1/5W,5%,AX N,TA	680K
R103	3009822973	RES,MF,8.2K,1/5W,5%,AX N,TA	8.2K
AN13	4355705710	CON ASSY 4P 210MM	ASSY 4P
Q102 Q104-105	2008606104-T	TR,SG,NPN,150MA,50V,KTC3198,TO	C3198Y
Q101	2008606108-T	TR,SG,NPN,100MA,120V,KTC3200,T	C3200BL
Q103	2008613000-T	TR,SG,NPN,700MA,50V,2SD1111,TO	2SD1111
C101 C103	3409210071-T	CAP,E,SM,SG,85C,10UF,50V,M,5P,	Oct.50
C102	3409210971-T	CAP,E,SM,SG,85C,1UF,50V,M,5P,T	Jan.50
C107	3409222071-T	CAP,E,SM,SG,85C,22UF,50V,M,5P,	22/50
C104	3409247071-T	CAP,E,SM,SG,85C,47UF,50V,M,6P,	47/50
C105-106	3409247971-T	CAP,E,SM,SG,85C,4.7UF,50V,M,5P	4.7/50
CR101	3529100311-A	CAP,CE,TEMP,SL,10PF,50V,J,AX,T	10P
CR102-103	3539104531-A	CAP,CE,SEMI,Y5V,0.1UF,50V,Z,AX	0.1u
JACK B'D (4003473820)			
R1	3009332973	RES,MF,3.3K,1/5W,5%,AX N,TA	3.3K
VR1	3238081410	VR,ROT,HOR,1U,L20,25K,B	5KB
C5-6	3419515380	CAP ELSW 15000UF 63V JAMICON	15000/63
AN1	4355461412	CON ASSY 6P SHIELD #26	ASSY 6P SH
H3	4355461513	CON ASSY 1P RED TUBE 250-TER	ASSY 1P RE
H15	4355461518	CON ASSY 1P RED TUBE 250-TER	ASSY 1P RE
H16	4355462018	CON ASSY 1P BLK TUBE 250-TER	ASSY 1P BL
H4	4355705514	CON ASSY 1P BLK TUBE 250-TER	ASSY 1P BL
H7	4355705607	CON ASSY 1P BLUE	ASSY 1P BL
JK2	4408194610	JACK,XLR(M),1U,3P,AN,E403A0090	XLR JACK (M)
DCIN1	4438094610	TERMINAL,DC,2P,19MM,AN	DC TERMINAL 2P
JK1	4438193710	JACK,XLR(F),1U,3P,AN	XLR JACK(F) 3P
P3-6	4465998210	TERMINAL(250)PCB TAB	250 TAP

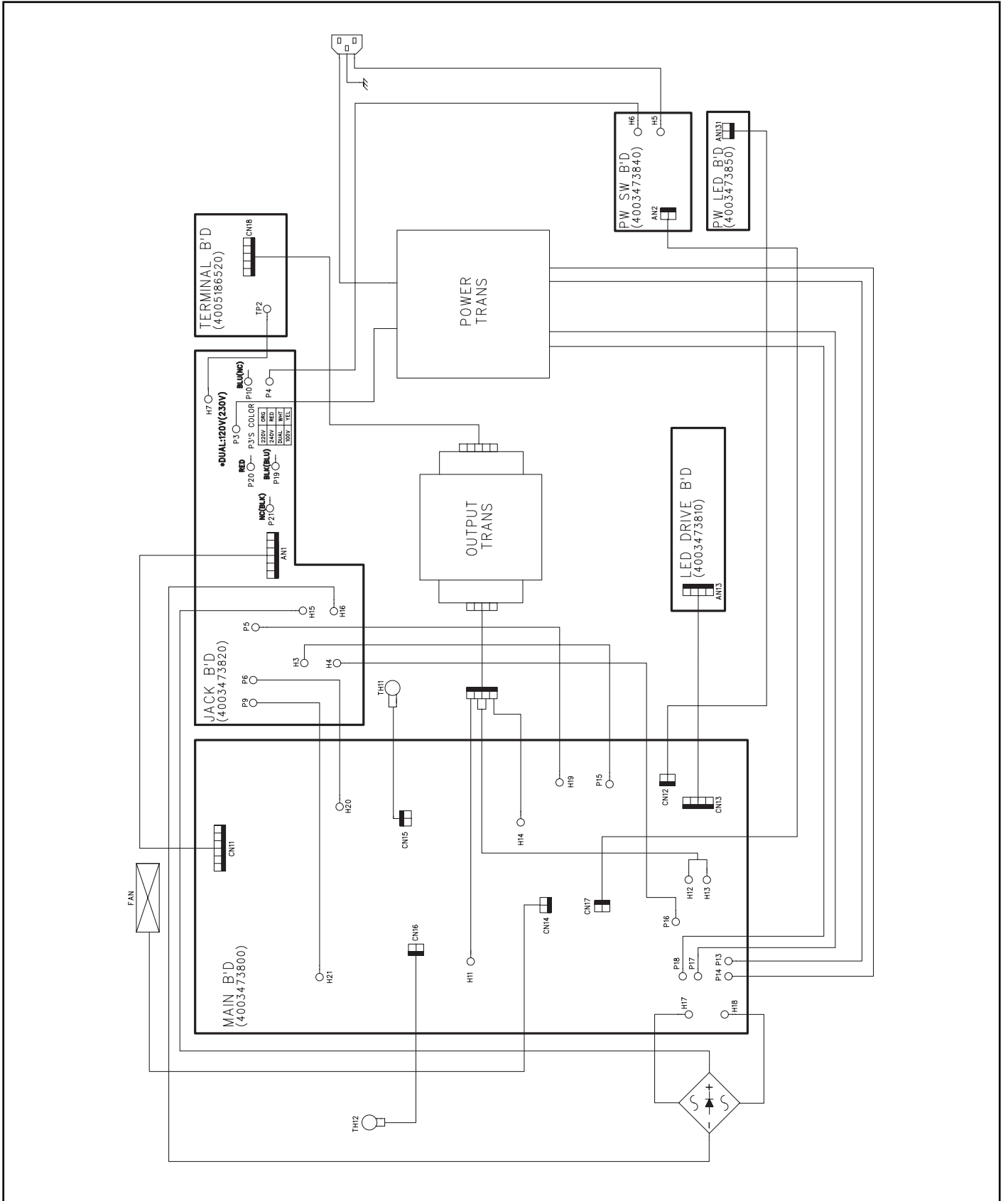
Ref No.	Part No.	Description	Value
SW1-2	4618001110	SW,SLIDE,HOR,DPDT,NS,L7.5	SLIDE SW
F15	5508113629	FUSE,20MM,T,8A,250V,K/U/CS/J	DOM,R,C,D,M
	5508424233	FUSE,31.8MM,T,15A,250V,U/CS	E,J,T
F2-3	5508124433	FUSE,31.8MM,T,20A,250V,U/CS	T20A/250V
C1	3409222871-T	CAP,E,SM,SG,85C,0.22UF,50V,M,5	0.22/50
C2	3409247871-T	CAP,E,SM,SG,85C,0.47UF,50V,M,5	0.47/50
C3	3609103120-T	CAP,FILM,POLYESTR,0.01UF,100V,	0.01/100(M)
TERMINAL B'D (4003473830)			
J1-4	1508400501	JUMP WIRE(0.5/52MM/M)	0.5/52MM/M
R91	3059101776	RES,CE,WW,100,5W,5%,RA T	100 5W
C35-36	3609473160	CAP,FILM,POLYESTR,0.047UF,400V	M473
CN18	4355923805	WAFER LW(3.96) 5P JIS	CON WAF 5P
T1	4465997704	TERMINAL,SCREW,4P,10MM,ST	SCREW TRERMINAL
TP2	4678699411	CNT PLUG 1P	CNT1P
SP1	3509103450-T	CAP,CE,HI-DI,0.01UF,500V,Z,RA,	0.01/500
SW B'D (4003473840)			
SW3	4648099010	POWER SWITCH ESB-99831V MASTUS	POWER SWITCH
H5-6	4355705414	CON ASSY 1P BRN #14 250-TER	ASSY 1P BR
C4	3549103107	CAP,CE,AC,Y2/X1,0.01UF,250VAC,	0.01
AN2	4355818817	CON ASSY,FL,2P,5264,5395,390M	ASSY 2P
LED B'D (4003473850)			
R131	3009222973	RES,MF,2.2K,1/5W,5%,AX N,TA	2.2K
LD131	2300050101	LED,RND 5MM,RED,DIF,1U,ST2.5	RED
AN131	4355705815	CON ASSY 2P FLAT(LA) 330MM	ASSY 2P
OTHER			
D1	2058199900	DIODE,BR,50A,600V,GBPC5006,GBP	GBPC5006
OPT1	2818085200	TRANS OUTPUT PA-9348	O.P.T PA-9348
C34	3639474259	CAP EM 0.47UF 250V K	0.47/250
H18	4355461604	CON ASSY 1P BRN #14 250-TER	CON ASSY 1P BR
ACIN1	4448598810	AC INLET 6100.4320 2T-250TE SU	6100.432
P13-14 P17-18	4465998210	TERMINAL(250)PCB TAB	250 TAP
PT1	2828054300	TRANS POWER PA-9348(100V)	J-100V
	2828054310	TRANS POWER PA-9348(115/230V)	R,C,E,M,T-115/230V
	2828054320	TRANS POWER PA-9348(220V)	DOM-220V
	2828054330	TRANS POWER PA-9348(240V)	D-240V
AC Cord Set	4308987810	AC CORD DOME 10A INLET	DOM(220V)
	4308999410	AC CORD SET,3P,10A,250VAC,V,22	R(230V)
	4308996710	AC CORD,3P,10A,250VAC,V,2500MM	C(230V,UK)
	4308998000	AC CORD SET,3P,7.5A,250VAC,SA	D(240V,SA)
	4308999310	AC CORD SET,3P,10A,125VAC,U,20	E,T(120V)
	4308990810	AC CORD SET,3P,10A,125VAC,J,18	J(100V)
	4308988610	AC CORD SET,3P,6A,250VAC,CC,18	M(220V)

TOP AND BOTTOM VIEW OF P.C. BOARD

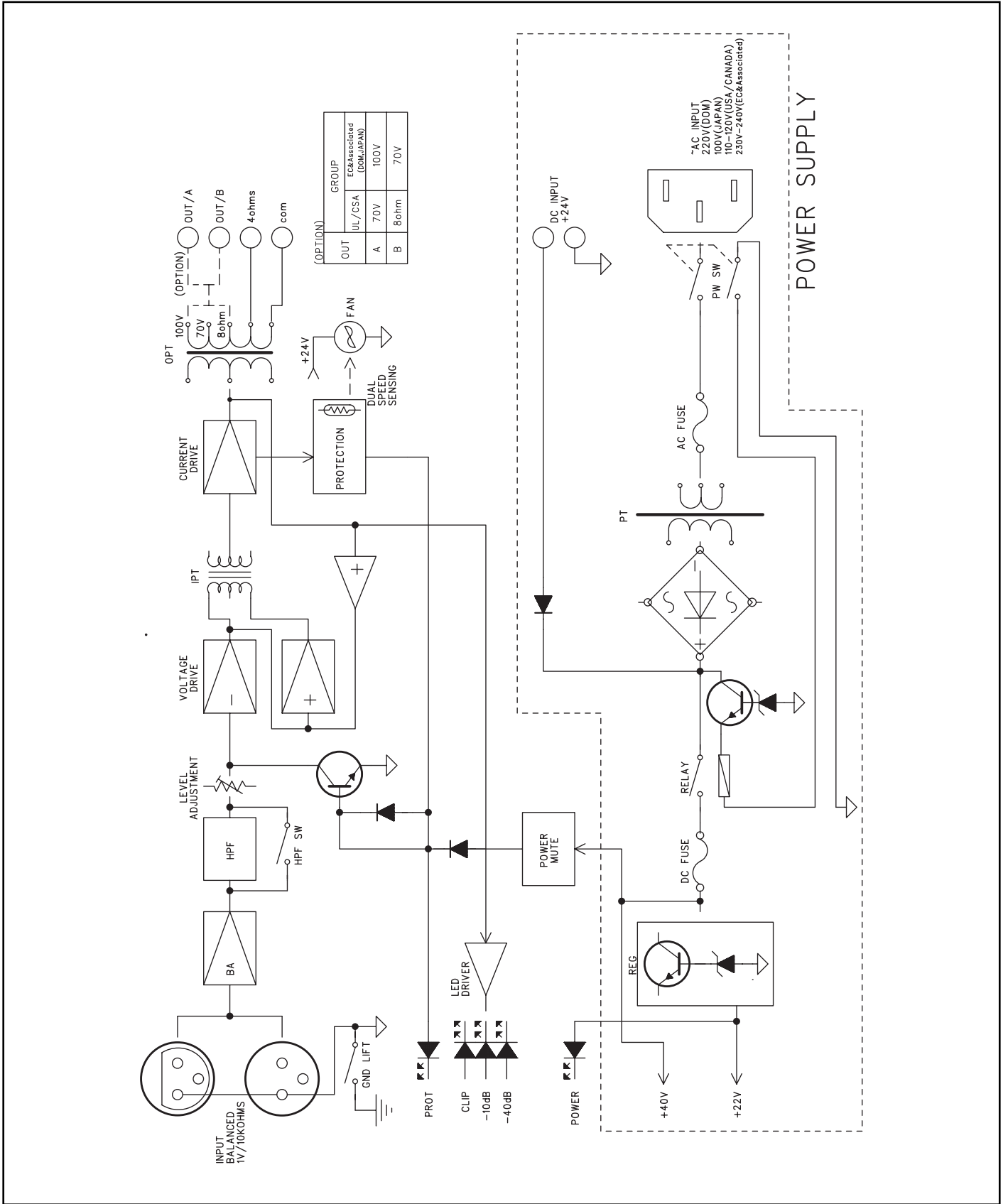




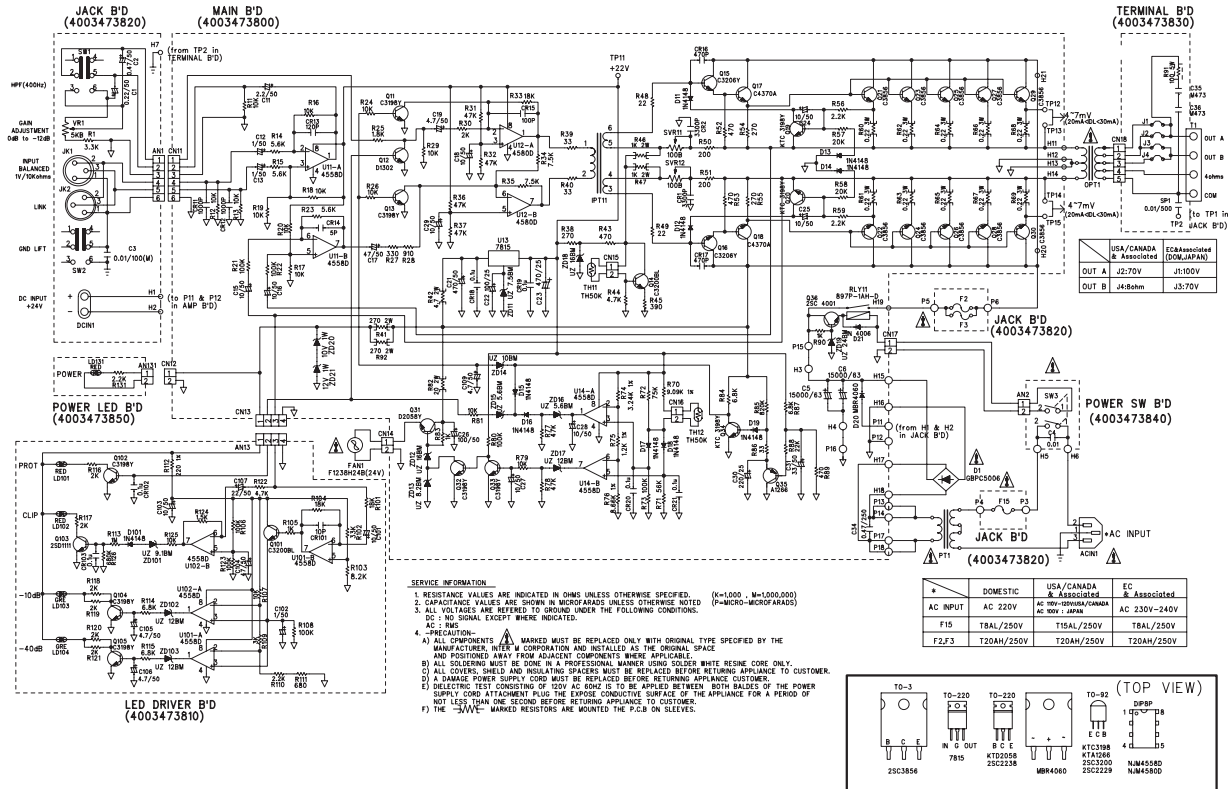
WIRING DIAGRAM



BLOCK DIAGRAM



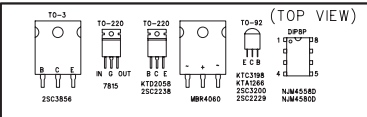
SCHEMATIC DIAGRAM



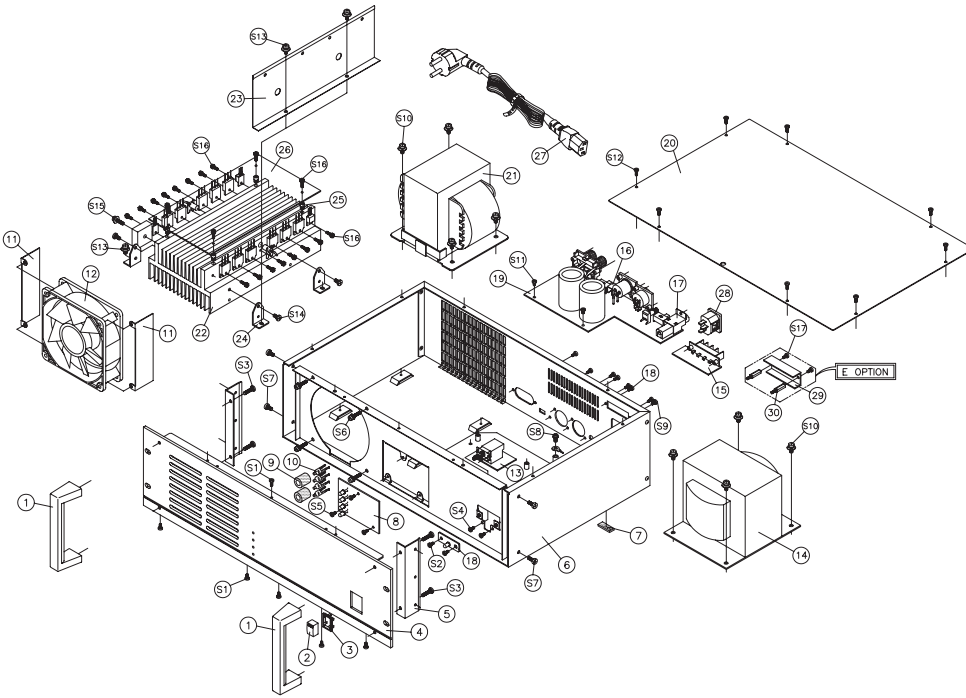
SERVICE INFORMATION

1. RESISTANCE VALUES ARE INDICATED IN OHMS UNLESS OTHERWISE SPECIFIED. (K=1000, M=1000,000)
2. CAPACITANCE VALUES ARE SHOWN IN MICRO-RAHMS UNLESS OTHERWISE NOTED (P=PICO=1000,000,000)
3. ALL VOLTAGE ARE REFERRED TO GROUND UNDER THE FOLLOWING CONDITIONS:
AC - RMS
DC - NO SIGNAL EXCEPT WHERE INDICATED.
4. PRECAUTIONS:
A) ALL COMPONENTS Δ MARKED MUST BE REPLACED ONLY WITH ORIGINAL TYPE SPECIFIED BY THE MANUFACTURER. INTER-LOCK CORPORATION AND INSTALLED IN THE ORIGINAL SPACE AND POSITIONED AWAY FROM ADJACENT COMPONENTS WHERE APPLICABLE.
B) ALL SOLDERING MUST BE DONE IN A PROFESSIONAL MANNER USING SOLDER WHITE RESIN CORE ONLY.
C) ALL COVERS, SHIELD AND INSULATING SPACERS MUST BE REPLACED BEFORE RETURNING APPLIANCE TO CUSTOMER.
D) DAMAGE POWER SUPPLY COIL MUST BE REPLACED BEFORE RETURNING APPLIANCE TO CUSTOMER.
E) DIELECTRIC TEST CONSISTING OF 120V AC 60HZ IS TO BE APPLIED BETWEEN BOTH BLADES OF THE POWER SUPPLY COIL ATTACHMENT PLUS THE EXPOSED CONDUCTIVE SURFACE OF THE APPLIANCE FOR A PERIOD OF NOT LESS THAN ONE SECOND BEFORE RETURNING APPLIANCE TO CUSTOMER.
F) THE ∇ (V)- MARKED RESISTORS ARE MOUNTED THE P.C.B. ON SLEEVES.

	DOMESTIC	USA/CANADA & Associated	EC & Associated
AC INPUT	AC 220V	AC 100-120V/USA/CANADA AC 230V JAPAN	AC 230V-240V
F15	T8AL/250V	T15AL/250V	T8AL/250V
F2,F3	T20AH/250V	T20AH/250V	T20AH/250V

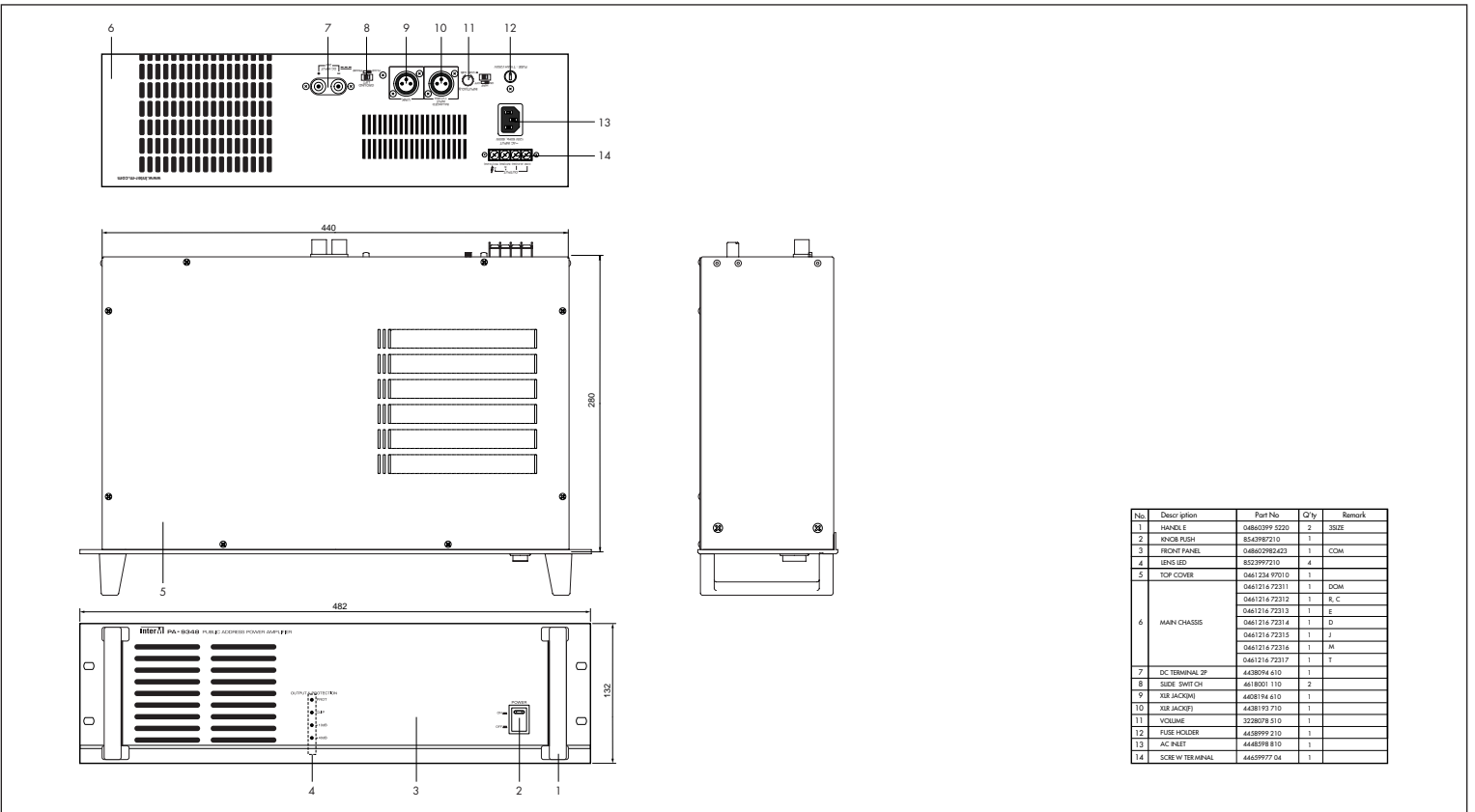


EXPLODED VIEW OF CABINET & CHASSIS/MECHANICAL PARTS LIST



S18	SCREW 2BTC 3XBB	8109230083	2	
S17	SCREW BM 3X6N	8009130064	2	
S16	HEX MSPM 3X12Y	8099130121	20	
S15	ASS'Y SCREW PM 4X18B	8095996930	1	
S14	SCREW 2BTC 4XBB	8109240083	4	
S13	SCREW WSAM 4XBB	8159440083	4	
S12	SCREW 3BTC 3X6B	8109330063	8	
S11	SCREW BM 3X6N	8009130064	2	
S10	SCREW WSAM 4XBB	8159440083	8	
S9	SCREW 2BTC 3XBB	8109230083	10	
S8	SCREW ASS'Y PM 4X8N	8095994710	1	
S7	SCREW 3BTC 4XBB	8109340083	4	
S6	ASS'Y SCREW PM 4X18B	8095996930	4	
S5	SCREW 2BTC 3X6B	8109230063	3	
S4	SCREW BM 3X6N	8009130064	2	
S3	SCREW 3BTC 4X18Y	8109340181	4	
S2	SCREW 2BTC 3X6B	8109230063	2	
S1	SCREW 3BTC 3X6B	8109330063	6	
30	TERMINAL STUD	6535995820	2	
29	TERMINAL COVER	8575996540	1	
28	AC INLET	4448598810	1	
27	AC CORD	4308987810	1	DOM.
26	MAIN B'D	4003473800	1	
25	STUD	6535992610	4	
24	BKT	6505939810	4	
23	GUIDE BKT	6503964710	1	
22	HEAT SINK	7502088010	1	
21	TRANS OUTPUT	2818085200	1	
20	TOP COVER	046123497010	1	
19	PCB JACK B'D	4003473820	1	
18	POWER LED B'D	4003473850	1	
17	BKT PHONE JACK 'B'	6505952110	1	
16	BRACKET PCB	6505968010	1	
15	TERMINAL B'D	4003473830	1	
14	POWER TRANS	2828054320	1	
13	POWER S/W B'D	4003473840	1	
12	FAN	7308998512	1	
11	BRACKET FAN	6503976210	2	
10	LENS LED	8523997210	4	
9	LED SPONGE	6735991010	2	
8	LED DRIVER B'D	4003473810	1	
7	FOOT	6735991210	2	
6	MAIN CHASSIS	046121672311	1	DOM.
5	HANDLE B.K.T	6503986830	2	
4	FRONT PANEL	048602982423	1	
3	BEZEL PUSH	8523992210	1	
2	KNDB PUSH	8543987210	1	
1	HANDLE 3 SIZE	048603995230	2	
	PART NAME	PART NUMBER	Q'TY	REMARK

ASS'Y DRAWING



No.	Description	Part No	Qty	Remark
1	HANDLE	04602099 5220	2	SSZE
2	KNICK FLISH	3542987210	1	
3	FRONT PANEL	04602098423	1	COM
4	LENS LED	8223997210	4	
5	TOP COVER	0461234 97010	1	
6	MAIN CHASSIS	0461216 72311	1	DCM
		0461216 72312	1	E, C
		0461216 72313	1	E
		0461216 72314	1	D
		0461216 72315	1	J
		0461216 72316	1	M
		0461216 72317	1	T
7	DC TERMINAL 2P	4438094 610	1	
8	SIDE SWITCH	4618001 110	2	
9	X26 JACKS	4405194 610	1	
10	X26 JACKS	4428193 710	1	
11	VOLUME	3228078 510	1	
12	FUSE HOLDER	4458999 310	1	
13	AC INLET	4448598 810	1	
14	SCREW TERMINAL	44629977 04	1	

interM

www.inter-m.com
MADE IN KOREA
2004.12 9017300400