

SERVICE

MANUAL

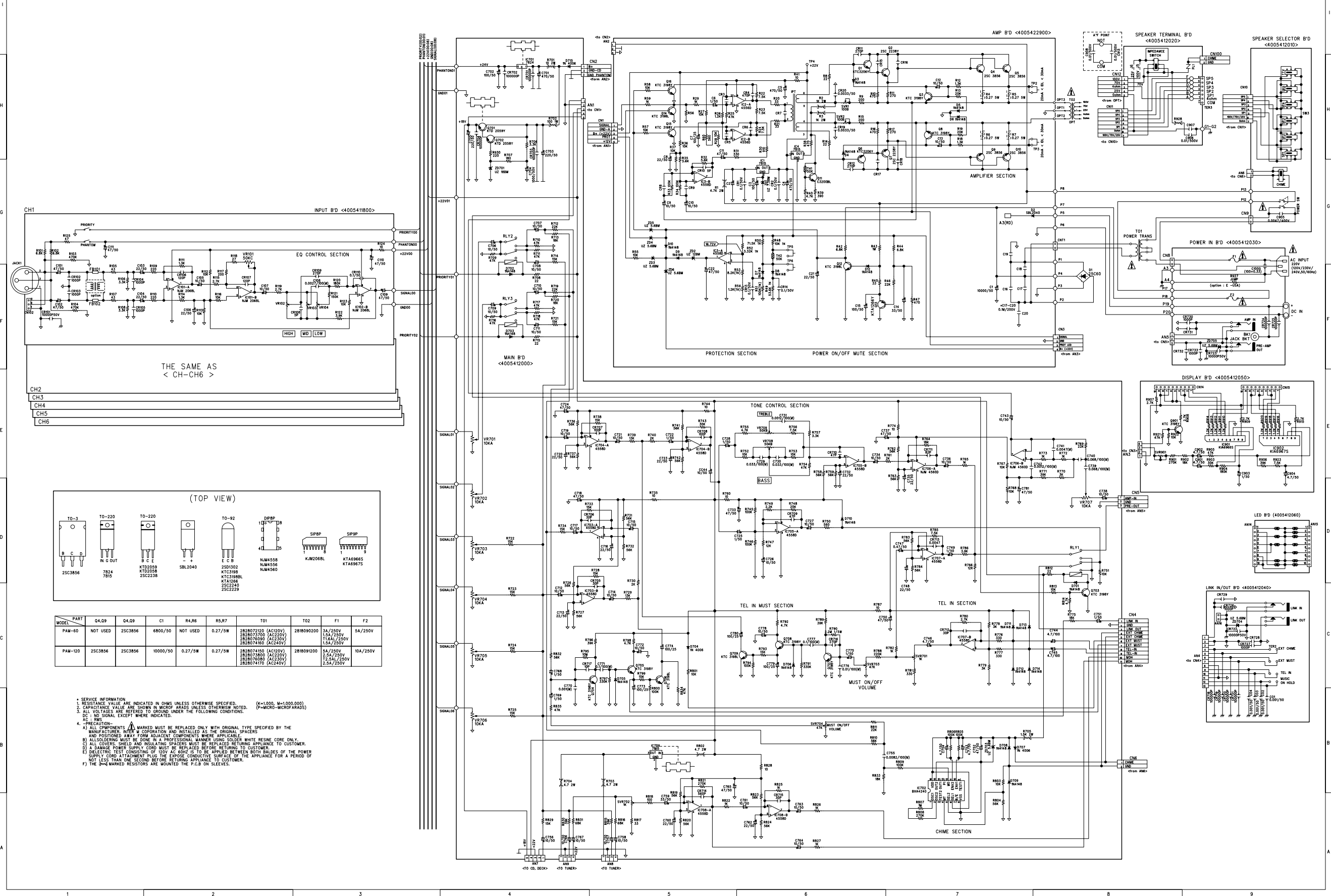
AMPLIFIER

PAM-60/120

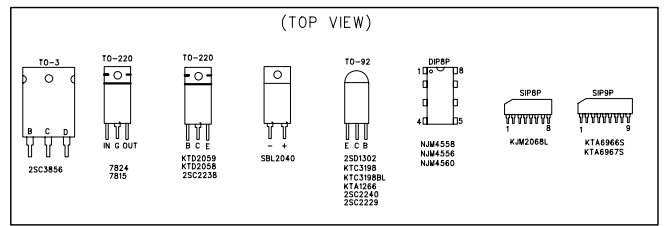
interM

COMPANY	INTER.M	APPLICANT	REVISED NUMBER AND DATE	DRAWN	CHECKED	APPROVED	NOTE
TYPE CODE			1. 14. 17.				
APPROVED DATE	03.12.17		2. 5. 8.				
			3. 6. 9.				

SIZE SHEET NO. A1 1/1
 WIRING DIAGRAM
 MODEL : PAM-60/120



THE SAME AS
 < CH-CH6 >



PART MODEL	Q4.09	Q4.09	C1	R4,R6	R5,R7	T01	T02	F1	F2
PAM-60	NOT USED	25C3856	6800/50	NOT USED	0.27/5W	282807210 (AC220V) 282807370 (AC220V) 282807690 (AC220V) 282807480 (AC240V)	2818080200 3A/250V 1.5A/250V 1.5A/250V 1.5A/250V		5A/250V 12.5A/250V 12.5A/250V 2.5A/250V
PAM-120	25C3856	25C3856	10000/50	0.27/5W	0.27/5W	282807410 (AC220V) 282807380 (AC220V) 282807690 (AC220V) 282807410 (AC240V)	2818091200 5A/250V 12.5A/250V 12.5A/250V 2.5A/250V		10A/250V

- * SERVICE INFORMATION
- 1. RESISTANCE VALUE ARE INDICATED IN OHMS UNLESS OTHERWISE SPECIFIED. (K=1000, M=1000000)
- 2. CAPACITANCE VALUE ARE SHOWN IN MICRO FARADS UNLESS OTHERWISE NOTED. (P=PICTO-MICROFARADS)
- 3. ALL VOLTAGES ARE REFERED TO GROUND UNDER THE FOLLOWING CONDITIONS:
 DC - NO SIGNAL EXCEPT WHERE INDICATED.
- 4. AC - RMS
- 5. PRECAUTIONS:
 - A) ALL COMPONENTS MARKED MUST BE REPLACED ONLY WITH ORIGINAL TYPE SPECIFIED BY THE MANUFACTURER. INTER M COOPERATION AND INSTALLED AS THE ORIGINAL SPACERS AND POSITIONED AREA LOW ADJUSTERS COMPONENTS WHERE APPLICABLE.
 - B) ALL SOLDERING MUST BE DONE IN A PROFESSIONAL MANNER USING SOLDER WHITE RESINE CORE ONLY.
 - C) ALL COUPLERS SHIELD AND INSULATING SPACERS MUST BE REPLACED RETURNING APPLIANCE TO CUSTOMER.
 - D) A DAMAGE POWER SUPPLY CORD MUST BE REPLACED BEFORE RETURNING TO CUSTOMER.
 - E) DIELECTRIC TEST CONSISTING OF 500V AC 60HZ IS TO BE APPLIED BETWEEN BOTH BALDES OF THE POWER SUPPLY CORD ATTACHMENT PLUS THE EXPOSED CONDUCTIVE SURFACE OF THE APPLIANCE FOR A PERIOD OF NOT LESS THAN ONE SECOND BEFORE RETURNING APPLIANCE TO CUSTOMER.
 - F) THE SHAW-MARKED RESISTORS ARE MOUNTED ON SLEEVES.

ELECTRICAL PARTS LIST (PAM-60/120)

Ref No.	Part No.	Description	Value	Qty	Remark
MAIN P.C. Board (4005412000)					
IC709	2168640988 7505299340	IC 7815 SAMSUNG HEAT SINK EQ-131	7815 45MM	1	
IC701	2128610400 7505299340	IC 7824 COMMON HEAT SINK EQ-131	7824 45MM	1	
CN13	4428592520	WAFER BOX TPHB03-1419-20A	LW20P	1	
CN2	4428595004	LW5267/LWB0640/2.5MM-04P	MH5264	1	
AN7	4428595005	LW5267/LWB0640/2.5MM-05P	MH5264	1	
IC702	2128740208	IC BXA 4240	BXA4240	1	
CR713	3539472331-A	CAP CE X 4700PF 16V M AXIAL	0.0047	1	
CR701-704	3529104531-A	CAP CE F 100000PF 50V Z	100000P	4	
CR707-708	3509101231-A	CAP CE B 100PF 50V K AXIAL	100P	2	
CR717	3529100311-A	CAP CE SL 10PF 50V J AXIAL	10P	1	
CR716	3509271231-A	CAP CE B 270PF 50V K AXIAL	270P	1	
CR705-706 CR712 CR715	3529300311-A	CAP CE SL 30PF 50V J AXIAL	30P	4	
CR709-710	3529470311-A	CAP CE SL 47PF 50V J AXIAL	47P	2	
CR714	3509561231-A	CAP CE B 560PF 50V K AXIAL	560P	1	
CR711	3509820231-A	CAP CE B 82PF 50V K AXIAL	82P	1	
CN5	4428595003	LW5267/LWB0640/2.5MM-03P	5267-03A	1	
AN1	4355856210	CON ASSY 5P	CON5P	1	
AN8-9	4428598304	WAFER LW-0640-4P	WAF04P	2	
D704 D707 D715	2058100996	DIODE RECTIFIER LT1N4006(4007)	1N 4006	3	
D701-703 D705-706 D708-714	2058304100	DIODE IN4148M	1N4148	12	
C747	3409247871-T	CAP AF RSG 0.47UF 50V 5 P	0.47/50	1	
C722 C725 C728 C749 C751 C768-769 C775	3409210971-T	CAP AF RSG 1UF 50V 5 P	1/50	8	
C706-712 C714-715 C717 C719 C721 C726-727 C734 C736 C738 C743 C756-758 C761 C763-764 C766-767 C772 C778 CC44	3409210071-T	CAP AF RSG 10UF 50V 5 P	10/50	29	
C773-774 C779-780	3409210141-T	CAP AF RSG 100UF 25V 6 P	100/25	4	
C702	3409210171-T	CAP AF RSG 100UF 50V 8 P	100/50	1	
C704	3409210231		1000/50V	1	
C713 C716 C720 C723 C732 C735 C748 C760 C762	3409222071-T	CAP AF RSG 22UF 50V 5 P	22/50	9	
C703 C705	3409222171-T	CAP AF RSG 220UF 50V SG 10 P	220/50	2	
C759	3409233071-T	CAP AF RSG 33UF 50V 6 P	33/50	1	
C744-745	3409247991-T	CAP AF RSG 4.7UF 100V 5 P	4.7/100	2	
C746 C753-754	3409247971-T	CAP AF RSG 4.7UF 50V 5 P	4.7/50	3	
C718 C724 C733 C737 C750 C752 C765 C781	3409247071-T	CAP AF RSG 47UF 50V 6 P	47/50	8	
C701	3419547177	CAP E SD 470UF 50V (10P)	470/50	1	
C770	3609102120-T	CAP MA 0.001UF 100V	0.001(M)	1	
C731 C742	3609122120-T	CAP MA 0.0012UF 100V J	0.0012/100(M)	2	
C741	3609472120-T	CAP MA 0.0047UF 100V J	0.0047(M)	1	
C755	3609822120-T	CAP MA 0.0082UF 100V	0.0082/100(M)	1	
C776	3609103120-T	CAP MA 0.01UF 100V	0.01/100(M)	1	
C729-730	3609333120-T	CAP MA 0.033UF 100V J	0.033/100(M)	2	
C739-740	3609683120-T	CAP MA 0.068UF 100V J	0.068/100(M)	2	
C771 C777	3609104122-T	CAP MA 0.1UF 100V J SMALL	0.1/100(M)	2	
CN6	4428595002	LW5267/LWB0640/2.5MM-02P	CN/2P	1	
IC703-705 IC707-708	2118010590	IC NJM4558D JRC	4558D	5	
IC706	2118012032	IC NJM4560D JRC	NJM 4560D	1	
R705	3039152575-T	RES MO 1.5K 2W J RADIAL	1.5K 2W	1	
R818	3009101973	RES CF 100 1/5W J N	100	1	
R702	3039101472-T	RES MO 100 1W T	100 1W	1	
R745-746 R794 R800 R805-806 R809	3009104973	RES CF 100K 1/5W J N	100K	7	
R735 R744 R760 R774 R787 R828	3009100973	RES CF 10 1/5W J N	10	6	

R701	3039100575-T	RES MO 10 2W JR	10 2W	1	
R751-753 R767-768 R801 R803 R813	3009103973	RES CF 10K 1/5W J N	10K	8	
R795	3009106973	RES CF 10M 1/5W J N	10M	1	
R747 R766	3009123973	RES CF 12K 1/5W J N	12K	2	
R729 R739	3009133973	RES CF 13K 1/5W J N	13K	2	
R714 R721-725 R728 R733-734 R738 R793 R799 R829	3009153973	RES CF 15K 1/5W J N	15K	13	
R707	3009181973	RES CF 180 1/5W J N	180	1	
R713 R720 R764 R775 R833	3009183973	RES CF 18K 1/5W J N	18K	5	
R765 R772-773 R782 R924-926 R822 R825-827	3009102973	RES CF 1K 1/5W J N	1K	11	
R807	3009105973	RES CF 1M 1/5W J N	1M	1	
R749	3009222973	RES CF 2.2K 1/5W J N	2.2K	1	
R790	3009225973	RES CF 2.2M 1/5W J N	2.2M 1/5W	1	
R780	3009272973	RES CF 2.7K 1/5W J N	2.7K	1	
R748	3009203973	RES CF 20K 1/5W J N	20K	1	
R930	3009221973	RES CF 220 1/5W J N	220	1	
R788	3009224973	RES CF 220K 1/5W J N	220K	1	
R708 R715 R812	3009220973	RES CF 22 1/5W J N	22	3	
R712 R719 R769 R811	3009223973	RES CF 22K 1/5W J N	22K	4	
R808 R821	3009274973	RES CF 270K 1/5W J N	270K	2	
R730 R740 R761	3009202973	RES CF 2K 1/5W J N	2K	3	
R706 R757	3009332973	RES CF 3.3K 1/5W J N	3.3K	2	
R786	3009392973	RES CF 3.9K 1/5W J N	3.9K	1	
R743	3009303973	RES CF 30K 1/5W J N	30K	1	
R776-777 R781	3009331973	RES CF 330 1/5W J N	330	3	
R791 R797	3009334973	RES CF 330K 1/5W J N	330K	2	
R817	3009330973	RES CF 33 1/5W J N	33	1	
R771 R789 R796 R815 R830	3009393973	RES CF 39K 1/5W J N	39K	5	
R770 R778-779	3009302973	RES CF 3K 1/5W J N	3K	3	
R703-704 R802	3039479575-T	RES MO 4.7 2W J RADIAL	4.7 2W	3	
R755 R792 R798 R814	3009472973	RES CF 4.7K 1/5W J N	4.7K	4	
R709-711 R716-718 R754 R834-835	3009473973	RES CF 47K 1/5W J N	47K	9	
R750	3009561973	RES CF 560 1/5W J N	560	1	
R726-727 R731-732 R736-737 R741-742 R758-759 R762-763 R783-784 R804 R810 R819-820 R823-824 R832	3009563973	RES CF 56K 1/5W J N	56K	21	
R816 R831	3009683973	RES CF 68K 1/5W J N	68K	2	
R756 R785	3009752973	RES CF 7.5K 1/5W J N	7.5K	2	
RLY1-3	5528999700	RELAY 876AN2-2C-S 24VDC	RLY8P	3	
SVR703-704	3248347320-T	RH063MCS4R	47K	2	
SVR701-702	3248310220-T	RH063MC13R	1K	2	
Q706 Q709	2008606101-T	KTC3198L-BL-AT	KTC 3198L	2	
Q703-705 Q707-708	2008606104-T	TR NPN KTC3198-Y-AT TO-92	KTC 3198Y	5	
Q702	2028406113	KTD2058-Y-U	KTD 2058Y	1	
Q701	2028406114 7505299310	TR KTD2059-Y-U HEAT SINK(30MM) REG TR	KTD 2059Y	1	
VR701-707	3228074710	VR RK11K112010713A (ROG72)	10KA	7	
VR708-709	3238089910	VR RK11K116010753B (ROG63)	50KB	2	
CN4	4428598311	CONNECTOR WAFER LW-0640-11P	WAF11P	1	
ZD701	2058502180	DIODE ZENER UZ-188M(1N5248B)	UZ 188M	1	
ZD703	2058502056	DIODE ZENER UZ-5.6BM(1N5232B)	UZ 5.6BM	1	
G1 Q2(B,C,R)	4355829706	CON ASSY 1P (GND)	1P 1P	1	
(B,C)	4835002010	CAPACITOR TUBE	CAP-TUBE	1	

SPEAKER SEL. P.C. Board (4005412010)

C905	3549472407	CAP DE2E3KH472MA4B	0.0047/400V	1	
CN9	4428593603	LOCK WAFER 2 LW-1143-03P	CON2P	1	
AN6	4355857810	CON ASSY 2P	CON2P	1	
SW3	4628984010	SW PUSH JPJ061-306DT-01 JAEIL	SW/36P	1	
SW4	4628098520	SW PUSH SPUN19X1M031 (SUI52)	SPUN19X1M031	1	
SW1	4648098410	SW PS-5-W7AV	220V/110V	1	

P12-13	4465998210	TERMINAL(250)PCB TAB	TERMINAL	2	
CN10	4428596607	LOCK WAFER LW-1143-07P	WAF2P	1	

SPEAKER TER. P.C. Board (4005412020)

C907			NOT USED!	1	
C906 C908 C913	3509103450-T	CAP CE 0.01UF 500V Z	0.01/500V	3	
C906 C908-C913	3509103450-T	CAP CE 0.01UF 500V Z	0.01/500V	7	R
CN12	4428596605	LOCK WAFER LW-1143-05P	WAF-5P	1	
TER3	4465997606	SCREW TERMINAL 6P(D)	TERMINAL	1	
G1-G2	4355829706	CON ASSY 1P (GND)	CON1P	1	R
PL1	5410000300	SURGE PROTECTOR DSP-301N	DSP-301N	1	
J5-6	1508400501	JUMP WIRE(0.5/52M/M)	JUMP	2	
CN100	4428595002	LW5267/LWB0640/2.5MM-02P	CN/2P	1	
R928			NOT USED!	1	
SW2	4618006510	SW VOL SELE SDJL4SBKP011(SP087	VOL	1	
CN11	4428596607	LOCK WAFER LW-1143-07P	WAF2P	1	

POWER IN P.C. Board (4005412030)

CR731-732			NOT USED!	2	
C1000	3549333001	CAP ECQ-J0187W (0.033UF 250V)	(100+0.33)	1	
CR724-725	3529104531-A	CAP CE F 100000PF 50V Z	100000P	2	
CR723	3529103531-A	CAP CE F 10000PF 50V Z	10000P50V	1	
CR730 CR733	3539102231-A	CAP CE YP 1000PF 50V K AXIAL	1000P	2	R
A3 - A4	4355838503	GND TERMINAL GLY to CH GND	GND TER	2	
A4	4355838503	GND TERMINAL GLY to CH GND	GND TER	1	R
CN8	4428596604	LOCK WAFER LW-1143-04P	CN2P-1	1	
P20	4355833514	CON ASSY 1P (BLK)	CON1P	1	
P19	4355833618	CON ASSY 1P (RED)	CON1P	1	
AN5	4355855917	CON ASSY 3P	CON3P	1	
DC-IN	4438094610	DC TERMINAL 2P	DC IN	1	
F1-2	4458999210	FAU-0031.3577 SCHURTER PU-3210	FUSE	2	
(F1/F2 cap)	4458999310	FUSE CARRIER FEK-0031.1661 SUT	FUSE	2	
(F1/F2 cap)	4458999410	FUSE CARRIER FEU0031.1663 SUT	FUSE	2	R ,C
AC-IN	4448599010	AC INLET (B'D IN TYPE)	AC INPUT	1	
BK1	6505959710	JACK B.K.T	JACK BKT	1	
JACK1-2	4438097310	JACK PHONE 4P	JACK	2	
R927	3009225973	RES CF 2.2M 1/5W J N	2.2M 1/5W JUMP	1	E
R927(E)	3069225370	RES 2.2M 1/2W J N	2.2M 1/2W	1	
P17-18	4465998210	TERMINAL(250)PCB TAB	TERMINAL	2	
ZD705	2058502056	DIODE ZENER UZ-5.6BM(1N5232B)	UZ 5.6BM	1	

LINK IN/OUT P.C. Board (4005412040)

CR728-729			NOT USED!	2	
CO1-4	3509102530-T	CAP CE B 0.001UF 50V J	0.001/50	4	
CR718-721	3529104531-A	CAP CE F 100000PF 50V Z	100000P	4	
CR722	3529103531-A	CAP CE F 10000PF 50V Z	10000P50V	1	
CR726-727	3539102231-A	CAP CE YP 1000PF 50V K AXIAL	1000P	2	R
AN4	4355855816	CON ASSY 13P	CON13P	1	
AN4(E) AN3()	4355830303	CON GND TERMINAL 1P Y/G	GND 1P(E)	1	
AN16	4355958211	CON ASSY 2P 130MM CA-6210	CON2P	1	
BK2	6505959710	JACK B.K.T	JACK BKT	1	
JACK3-4	4438097310	JACK PHONE 4P	AM-8003	2	
TER2	4465997604	SCREW TERMINAL 4P(D)	TER4P	1	
ZD704	2058502056	DIODE ZENER UZ-5.6BM(1N5232B)	UZ 5.6BM	1	

DISPLAY P.C. Board (4005412050)

CN14-15	4428594010	WAFER 5532-10A J.MOLEX	ASSY 10P	2	
AN3	4355855319	CON ASSY 4P	CON4P	1	
C903	3409210971-T	CAP AF RSG 1UF 50V 5 P	1/50	1	
C901-902 C904	3409247971-T	CAP AF RSG 4.7UF 50V 5 P	4.7/50	3	
IC902	2118040105	KIA6967S	KIA6967S	1	
IC901	2118030405	KIA6966S	KIA6966S	1	
R910-914 R916-920	3009122973	RES CF 1.2K 1/5W J N	1.2K	10	
R922	3009103973	RES CF 10K 1/5W J N	10K	1	
R904	3009184973	RES CF 180K 1/5W J N	180K	1	
R902	3009183973	RES CF 18K 1/5W J N	18K	1	
R907-909 R915	3009272973	RES CF 2.7K 1/5W J N	2.7K	4	
R901	3009274973	RES CF 270K 1/5W J N	270K	1	
R903	3009303973	RES CF 30K 1/5W J N	30K	1	
R906	3009393973	RES CF 39K 1/5W J N	39K	1	

R905 R921	3009473973	RES CF 47K 1/5W J N	47K	2	
R923	3009752973	RES CF 7.5K 1/5W J N	7.5K	1	
Q901	2008606104-T	TR NPN KTC3198-Y-AT TO-92	KTC 3198Y	1	
SVR901			NOT USED!	1	

LED P.C. Board (4005412060)

AN14-15	4428593910	WAFER 5533-10APB J.MOLEX	CON10P	2	
LED3-11	2300032105	LED LTL-1CHG-021A LITEON	SLR34MG	9	
LED1-2 LED12	2300030105	LED LTL-1CHE-021A LITEON	SLR34VC	3	

AMP P.C. Board (4005411900)

IC1 IC4	2168640988	IC 7815 SAMSUNG	7815	2	
C19 CR15-18			NOT USED!	5	
CR19-20	3509332530-T	CAP CE B 0.0033UF 50V K	0.0033/50	2	
CR1-2 CR13-14	3539104531-A	CAP CE Y 10000PF 50V Z AXIAL	0.1/50V	4	
CR11-12	3509271130-T	CAP CE SL 270PF 50V J	270P	2	
CR4	3509471130-T	CAP CE SL 470PF 50V J	470P	1	
CR10	3509509030-T	CAP CE SL 5PF 50V J	5P	1	
IPT	2808098300	TRANSFORMER INPUT (PA-9324)	COIL(6P)	1	
P1 P3	4355833403	CON ASSY 1P (YEL)	CON(1P)	2	
P2	4355833503	CON ASSY 1P (BLK)	CON1P	1	
CN1	4428598305	CONNECTOR WAFER LW-0640-5P	CON-5P	1	
AN2	4355886605	CON ASSY 4P	CON-3P	1	
P4	4355833603	CON ASSY 1P (RED)	CON(1P)	1	
A3(RD)	4355855407	CON ASSY 1P	CON1P	1	
SVR1-2	3248310120-T	RH063MC12R	100B	2	
D3-10 D12	2058304100	DIODE IN4148M	1N4148	9	
D2	2058300998	DIODE SCHOTTKY SBL2040/SR2040	SBL2040	1	
C2			NOT USED!	1	
C6	3409210971-T	CAP AF RSG 1UF 50V 5 P	1/50	1	
C9-10 C12-13	3409210071-T	CAP AF RSG 10UF 50V 5 P	10/50	4	
C7	3409210141-T	CAP AF RSG 100UF 25V 6 P	100/25	1	
C3 C15	3409210171-T	CAP AF RSG 100UF 50V 8 P	100/50	2	
C1(PAM-60)	3419568224	CAP AF HS 6800UF 50V 30 P LUG	6800/50		
C1(PAM-120)	3419510378	CAP AF HS 10000UF 50V 30 P LUG	10000/50	1	
C8 C21	3409222071-T	CAP AF RSG 22UF 50V 5 P	22/50	2	
C14	3409233071-T	CAP AF RSG 33UF 50V 6 P	33/50	1	
C11 C22	3409247071-T	CAP AF RSG 47UF 50V 6 P	47/50	2	
C4-5	3408247171	CAP RSA 470UF 50V SNAP 13 P	470/50	2	
IC2	2118010932	IC NJM 4556AD	4556D	1	
IC3	2118010590	IC NJM4558D JRC	4558D	1	
C16-18 C20	3609104140-T	CAP MA 0.1UF 200V J	0.1/200(M)	4	
CR3 CR5-9			NOT USED!	6	
CNT1	4678699420	CNT PLUG 2P	PLUG-2P	1	
R56			NOT USED!	1	
R5 R7(PAM-60)				2	
R4-7(PAM-120)	3059278783	RES CE 0.27 5W J T	0.27 5W	4	
R54	3003120953	RES CF 1.2K 1/5W FN	1.2K(1%)	1	
R26	3009122973	RES CF 1.2K 1/5W J N	1.2K	1	
R12 R18	3009132973	RES CF 1.3K 1/5W J N	1.3K	2	
R51	3001100953	RES CF 100K 1/5W F N	100K(1%)	1	
R33-34	3009104973	RES CF 100K 1/5W J N	100K	2	
R41	3009100973	RES CF 10 1/5W J N	10	1	
R48	3002100953	RES CF 10K 1/5W F N	10K 1%	1	
R27-28 R36-37 R55	3009103973	RES CF 10K 1/5W J N	10K	7	
R57-58					
R29 R59	3009102973	RES CF 1K 1/5W J N	1K	2	
R2-3	3039102572-F	RES MO 1K 2W J N	1K 2W	2	
R43	3009105973	RES CF 1M 1/5W J N	1M	1	
R9 R15	3009201973	RES CF 200 1/5W	200	2	
R13 R19	3009203973	RES CF 20K 1/5W J N	20K	2	
R8 R14	3009220973	RES CF 22 1/5W J N	22	2	
R46	3009223973	RES CF 22K 1/5W J N	22K	1	
R11 R17	3009271973	RES CF 270 1/5W J N	270	2	
R52	3003332953	RES CF 3.32K 1/5W F N	3.32K 1%	1	
R31	3009331973	RES CF 330 1/5W J N	330	1	
R20-21 R45	3009330973	RES CF 33 1/5W J N	33	3	
R39	3009391973	RES CF 390 1/5W J N	390	1	
R40	3009472973	RES CF 4.7K 1/5W J N	4.7K	1	
R1	3039472572-F	RES MO 4.7K 2W J N	4.7K 2W	1	
R10 R16 R38 R47	3009471973	RES CF 470 1/5W J N	470	4	

R25	3009473973	RES CF 47K 1/5W J N	47K	1	
R32 R35	3009562973	RES CF 5.6K 1/5W J N	5.6K	2	
R49	3002536953	RES CF 53.6K 1/5W F N	53.6K 1%	1	
R60	3009561973	RES CF 560 1/5W J N	560	1	
R42 R44	3009682973	RES CF 6.8K 1/5W J N	6.8K	2	
R22-24	3009752973	RES CF 7.5K 1/5W J N	7.5K	3	
R50	3002715953	RES CF 71.5K 1/5W FN	71.5K 1%	1	
R53	3003820953	RES CF 8.2K 1/5W FN	8.2K(1%)	1	
R30	3009911973	RES CF 910 1/5W J N	910	1	
OPT1/2/3	4355855509	CON ASSY 4P	SW-6P	1	
P5-8	4465998210	TERMINAL(250)PCB TAB	TER	4	
TH1-2	4428595002	LW5267/LWB0640/2.5MM-02P	50K	2	
Q2 Q7	2028407118	KTC2238A-Y-U	2SC 2238Y	2	
Q5 Q10(PAM-60) Q4-5 Q9-10(PAM-120)	2028427998	TR 2SC 3856 W/ACC	2SC 3856	2 4	
Q11	2008606108-T	KTC3200-BL-AT	KTC3200BL	1	
Q12 Q14	2008606999-T	KTC3198-BL-AT	KTC 3198BL	2	
Q3 Q8 Q15-16	2008606104-T	TR NPN KTC3198-Y-AT TO-92	KTC 3198Y	4	
Q1 Q6	2008606107-T	KTC3206-Y-AT	KTC3206Y	2	
Q13	2008606105-T	TR NPN KTA1266-Y-AT TO-92	KTA1266Y	1	
CN3	4428598304	WAFER LW-0640-4P	WAF-4P	1	
ZD2	2058502120	DIODE ZENER UZ-12BM(1N5242B)	UZ 12BM	1	
ZD3-6	2058502056	DIODE ZENER UZ-5.6BM(1N5232B)	UZ 5.6BM	4	
ZD1	2058501076	DIODE ZENER UZ-7.5B(1N5236B)	UZ 7.5BM	1	
GND	4235007210	GND TERMINAL (POWER BD)	GND TER	1	
A1 A2 A3 A4	4355855407	CON ASSY 1P	1P 1P	2	
OPT1-3	4355855509	CON ASSY 4P	4P	1	
PAM-60/120	7502093410	HEAT SINK		1	

INPUT P.C. Board (4005411800)

CR110	3509101231-A	CAP CE B 100PF 50V K AXIAL	100/50	1	
CR101	3529103531-A	CAP CE F 10000PF 50V Z	10000P50V	1	
CR102-105	3539102231-A	CAP CE YP 1000PF 50V K AXIAL	1000P	4	
CR106-107	3509121231-A	CAP CE B 120PF 50V K AXIAL	120P	2	
CR109	3509271231-A	CAP CE B 270PF 50V K AXIAL	270P	1	
CR108	3529050311-A	CAP CE SL 5P 50V C AXIAL	5P	1	
C105 C107	3409210071-T	CAP AF RSG 10UF 50V 5 P	10/50	2	
C103-104 C106	3409222071-T	CAP AF RSG 22UF 50V 5 P	22/50	3	
C101-102 C109-111	3409247071-T	CAP AF RSG 47UF 50V 6 P	47/50	5	
FB101-102	2648609900	FERITE BEAD H5B	FER	2	
JACK1	4438193710	XLR JACK(F) 3P(E303A0070N)	JACK3P	1	
C108	3609272120-T	CAP MA 0.0027UF 100V J	0.0027/100(M)	1	
CN101	4428592820	WAFER BOX 20P TPHAB03-1419-20A	20P	6	
CN102	4428595003	LW5267/LWB0640/2.5MM-03P	MH5264	1	
IC101	2168220989	IC NJM 2068L JRC	NJM 2068L	1	
IC102	2168220989	IC NJM 2068L JRC	NJM 2068L	1	
BK101	6505946710	PCB BKT PAC-60/120	PCB BKT	1	
SW102	4628992410	SW PUSH SPUN19X1M011 (SUA29)	SW2P	1	
R111 R114	3009132973	RES CF 1.3K 1/5W J N	1.3K	2	
R124	3009100973	RES CF 10 1/5W J N	10	1	
R112-113 R116 R123	3009103973	RES CF 10K 1/5W J N	10K	4	
R121	3009154973	RES CF 150K 1/5W J N	150K	1	
R120	3009184973	RES CF 180K 1/5W J N	180K	1	
R115 R119	3009272973	RES CF 2.7K 1/5W J N	2.7K	2	
R117	3009201973	RES CF 200 1/5W	200	1	
R109-110	3009221973	RES CF 220 1/5W J N	220	2	
R118	3009270973	RES CF 27 1/5W J N	27	1	
R106 R108	3009332973	RES CF 3.3K 1/5W J N	3.3K	2	
R122	3009392973	RES CF 3.9K 1/5W J N	3.9K	1	
R105 R107	3009430973	RES CF 43 1/5W J N	43	2	
R103-104	3009474973	RES CF 470K 1/5W J N	470K	2	
R125	3009470973	RES CF 47 1/5W J N	47	1	
R101-102	3009682973	RES CF 6.8K 1/5W J N	6.8K	2	
VR101	3228074810	VR RK09K1110201 53C (ROG67)	50KC	1	
VR102-104			NOT USED!	3	

ASSY

OPT	2818089800 2818089600	TRANS OUTPUT(PAM-120) DOM,D,E TRANS OUTPUT PAM-120 (230V)	C ,R	1 2	
PT	2828073800 2828074150	TRANSFORMER POWER PAC-120 TRANS POWER (120V) PAM-120	E	1 1	

	2828074170	POWER TRANS (240V) PAC-120	D	1	
	2828076080	POWER TRANS PAC-120 230V	C ,R	2	
PT(for PAM-60)	2828073700	TRANSFORMER POWER PAC-60		1	
	2828074140	TRANS POWER (120V) PAM-60	E	1	
AC CORD	4308997310	AC CORD DOME 3-CORES		1	
	4308999410	AC CORD V+VII6A-250VHOVV-F3G	R	1	
	4308999310	AC CORD UL 3 (INLET)	E	1	
	4308998000	AC CORD POWER FOR SAA	D	1	
	4308996710	AC CORD (WITHOUT PLUG)	C	1	
AC CORD(for PAM-60)	4308997310	AC CORD DOME 3-CORES		1	
	4308999310	AC CORD UL 3 (INLET)	E	1	
FUSE	5508222830	FUSE NB 31.8MM 2.5A/250V KS		1	
	5508223333	FUSE NB 31.8MM 5A/250V U/C	E	1	
	5508222833	FUSE NB 31.8MM 2.5A/250V U/C	D	1	
	5508213839	FUSE#234F 20MM 10A/250V UCKJ	C ,R	2	
	5508223830	FUSE NB 31.8MM 10A/250V KS		1	
	5508223831	FUSE NB 31.8MM 10A/250V UL	D ,E	2	
	5508412839	FUSE#218T 20MM 2.5A/250V UCSKJ	C ,R	2	
FUSE(for PAM-60)	5508222530	FUSE NB 31.8MM 1.5A/250V KS		1	
	5508222933	FUSE NB 31.8MM 3A/250V U/C	E	1	
	5508223330	FUSE NB 31.8MM 5A/250V KS		1	
	5508223333	FUSE NB 31.8MM 5A/250V U/C	E	1	