

**SERVICE**

**MANUAL**

P

R

E

**AMPLIFIER**

**PP-9113**

**interM**

# ELECTRICAL PARTS LIST

Ref No.	Part No.	Description	Value
<b>MAIN B'D (4005106000)</b>			
Q101 - 115 Q201 Q203	2008606104 - T	TR NPN KTC3198 - Y - AT TO - 92	KTC 3198Y
Q403	2008606105 - T	TR NPN KTA1266 - Y - AT TO - 92	KTA1266Y
Q202 Q401 - 402	2008606998 - T	KTD1302 - AT	2SD 1302R
D501 - 4	2058100996	DIODE RECTIFIER LT1N4006(4007)	1N4006*4
D401 - 402 D505 - 507	2058100996	DIODE RECTIFIER LT1N4006(4007)	1N 4006
D403	2058304107	DIODE SCH0TTKY SB - 150 (SR105)	SB - 150
IC115	2118010332	IC NJM 5532DD JRC	NJM 5532DD
IC101 IC103 IC105 IC107 IC111	2118010432	IC NJM2068DD JRC	NJM 2068DD
IC102 IC104 IC106 IC108 - 110 IC112 - 114	2118010590	IC NJM4558D JRC	NJM 4558D
IC401 - 402	2128610900	IC KA7815 COMMON	7815
FB101 - 114	2648609900	FERITE BEAD H5B	H5B
R344 - 345 R606	3009100973	RES CF 56K 1/5W J N	10
R195 R211 R221 R232 R243 R299 R301 R310 R402	3009102973	RES CF 1K 1/5W J N	1K
R263 - 273 R281 R317 R337 - 339 VR101	3009103973	RES CF 10K 1/5W J N	10K
R196 - 197 R209 R254 - 255 R262 R297 R302 - 303 R306 - 307 R311 - 312 R326 - 327 R602	3009104973	RES CF 100K 1/5W J N	100K
R140 R155 R170 R185 R202 R215 R220 R225 R231 R236 R242 R247 R324 R601	3009105973	RES CF 1M 1/5W J N	1M

R253	3009109973	RES CF 1 1/5W J N	1
R191	3009121973	RES CF 120 1/5W J N	120
R109 R124 R194 R212 R223 R233 R244 R319 R335	3009123973	RES CF 12K 1/5W J N	12K
R105-106 R121-122 R136-137 R141-142 R151-152 R156-157 R166-167 R171-172 R181-182 R186-187 R203-204 R219 R230 R241 R250-251 R348 R231A	3009124973	RES CF 120K 1/5W J N	120K
R101-102 R117-118 R132-133 R147-148 R162-163 R177-178 R200 R340 R343	3009152973	RES CF 1.5K 1/5W J N	1.5K
R274-275 R304 R308	3009153973	RES CF 15K 1/5W J N	15K
R111-112 R126-127	3009154973	RES CF 150K 1/5W J N	150K
R404	3009182973	RES CF 1.8K 1/5W J N	1.8K
R603-604	3009183973	RES CF 18K 1/5W J N	18K
R314	3009202973	RES CF 2K 1/5W J N	2K
R295-296 R315 R332	3009222973	RES CF 2.2K 1/5W J N	2.2K
R214 R224 R235 R245	3009223973	RES CF 22K 1/5W J N	22K
R288 R305 R309 ROO1	3009272973	RES CF 2.7K 1/5W J N	2.7K
R328	3009273973	RES CF 27K 1/5W J N	27K

R256 -257 R261	3009302973	RES CF 3K 1/5W J N	3K
R294 R403	3009330973	RES CF 33 1/5W J N	33
R405 R501	3009332973	RES CF 3.3K 1/5W J N	3.3K
R110 R114 R129 R144 R159 R174 R189 R206 R217 R227 R238 R249 R289 R291 -292 R330	3009333973	RES CF 33K 1/5W J N	33K
R103 -104 R113 R119 -120 R128 R134 -135 R143 R149 -150 R158 R164 -165 R173 R179 -180 R188 R192 -193 R205 R216 R228 R237 R248 R329 R401	3009334973	RES CF 330K 1/5W J N	330K
R125	3009394973	RES CF 390K 1/5W J N	390K
R279 R322	3009472973	RES CF 4.7K 1/5W J N	4.7K
R198 R201 R318 R323	3009473973	RES CF 47K 1/5W J N	47K
R293	3009474973	RES CF 470K 1/5W J N	230V 50Hz
R108 R116 R131 R146 R161 R176 R208 R213 R222 R226 R234 R240 R246 R276 R290 R300 R320 R336	3009560973	RES CF 56 1/5W J N	56
R258 -259 R286	3009562973	RES CF 5.6K 1/5W J N	5.6K
R107 R123 R277 -278 R283 -284 R333 -334 R341 -342	3009563973	RES CF 56K 1/5W J N	56K
R199	3009564973	RES CF 560K 1/5W J N	560K
R280 R313	3009681973	RES CF 680 1/5W J N	680
R138 -139 R153 -154 R168 -169	3009683973	RES CF 68K 1/5W J N	68K

R183-184			
R210	3009753973	RES CF 75K 1/5W J N	75K
R346-347	3009820973	RES CF 82 1/5W J N	82
R115 R130 R145 R160 R175 R190 R207 R218 R229 R239 R252 R298	3009821973	RES CF 820 1/5W J N	820
R285 R316 R406 R408	3009822973	RES CF 8.2K 1/5W J N	8.2K
R260 R321	3009823973	RES CF 82K 1/5W J N	82K
R501A	3039100575 -T	RES MO 10 2W JR	10 2W
R409	3039560575 -T	RES MO 56 2W J RADIAL	56 2W
C403 C501	3408247161	CAP RSA 470UF 35V SNAP 13 P	470/35
C161 C168 C175 C182 C189-190 C193 C198 C203 C206 C208 C210-211 C213 C221 C230	3409210071 -T	CAP AF RSG 10UF 50V 5 P	10/50
C108 C116 C124 C132 C140 C148 C159 C166 C174 C180 C188 C223 CR145	3409210141 -T	CAP AF RSG 100UF 25V 6 P	100/25
C105 C113 C121 C129 C137 C145 C150 C156 C163 C170 C178 C184 C220	3409210971 -T	CAP AF RSG 1UF 50V 5 P	1/50
C106 C114 C122 C130 C138 C146 C157 C173 C186 C195-197 C212	3409222071 -T	CAP AF RSG 22UF 50V 5 P	22/50
C225	3409222141 -T	CAP AF RSG 220UF 25V J 8 P	220/25
C149 C264 C401	3409222171 -T	CAP AF RSG 220UF 50V SG 10 P	220/50
C224 C227 C229	3409233971 -T	CAP AF RSG 3.3UF 50V 5 P	3.3/50
C101-104 C107 C109-112 C117-120 C125-128	3409247041 -T	CAP AF RSG 47UF 25V 5 P	47/25

C133-136 C141-144 C155 C164 C169 C171 C176 C181 C185 C191-192 C194 C202 C205 C207 C209 C219 C226 C228 C404			
C106A	3409247071 -T	CAP AF RSG 47UF 50V 6 P	47/50
C201 C502	3409247871 -T	CAP AF RSG 0.47UF 50V 5 P	0.47/50
C115 C123 C131 C139 C147 C151 C158 C162 C165 C167 C172 C177 C179 C183 C187 C199-200 C214-215 C222 C601-602	3409247971 -T	CAP AF RSG 4.7UF 50V 5 P	4.7/50
CR101-102 CR106-107 CR111-112 CR116-117 CR121-122 CR126-127 CR131 CR136-138 CR142	3509102231 -A	CAP CE YB 1000PF 50V K AXIAL	1000P
CR144	3509221231 -A	CAP CE B 220PF 50V K AXIAL	220P
CR148	3509471231 -A	CAP CE B 470PF 50V K AXIAL	470P
CR149	3509561231 -A	CAP CE B 560PF 50V K AXIAL	560P
CR113-115 CR118-120 CR123-125 CR128-130 CR139-141	3529050311 -A	CAP CE SL 5P 50V M AXIAL	5P
CR103-105 CR109-110 CR118A	3529120311 -A	CAP CE SL 12PF 50V J AXIAL	12P
CR143	3529330311 -A	CAP CE SL 33PF 50V J AXIAL	33P
CR132-135	3529470311 -A	CAP CE SL 47PF 50V J AXIAL	47P

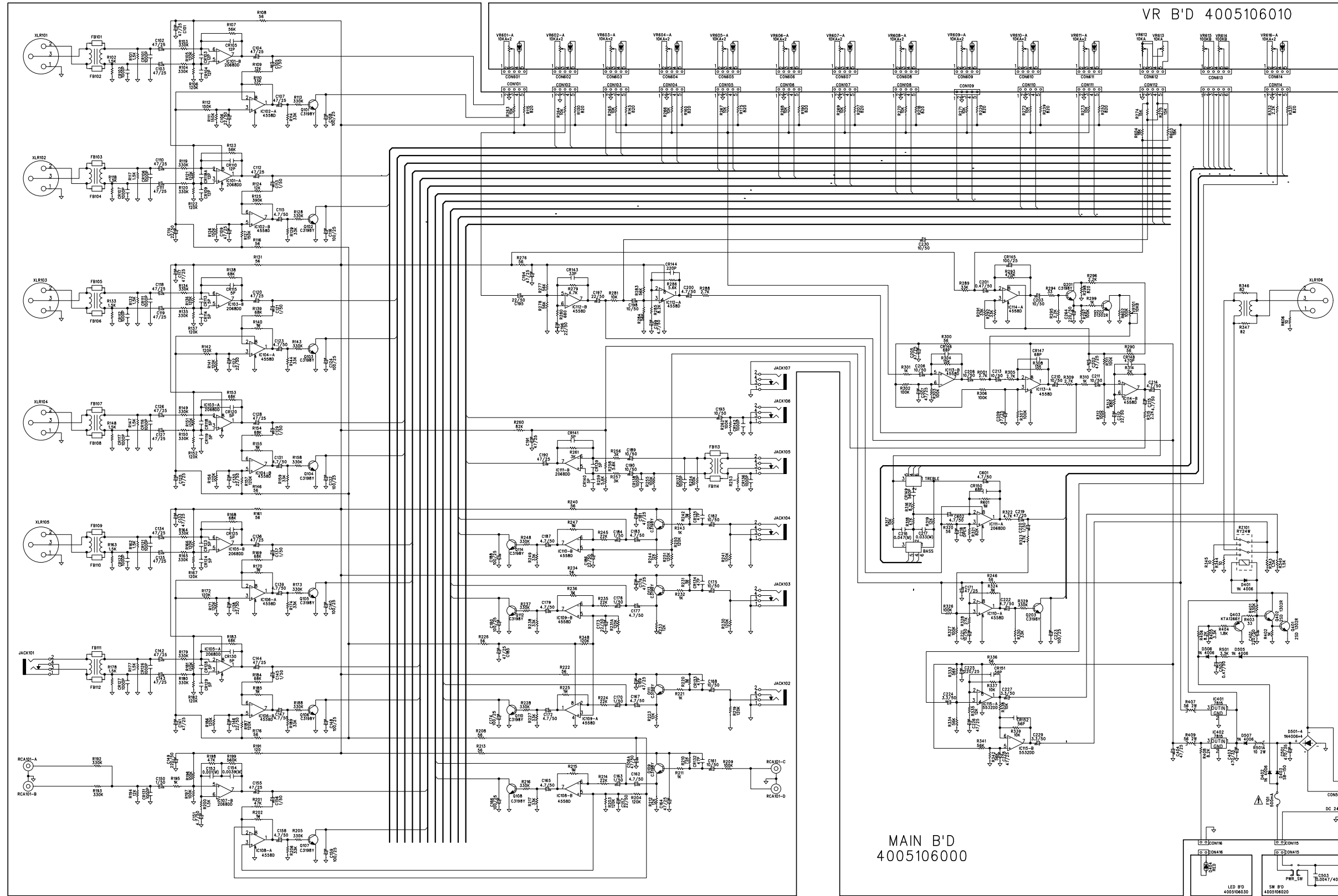
CR151 - 152	3529560311 - A	CAP CE SL 56PF 50V J AXIAL	56P
CR146 - 147 CR150	3529680311 - A	CAP CE SL 68PF 50V J AXIAL	68P
C153	3609102120 - T	CAP MA 0.001UF 100V	0.001(M)
C217	3609333120 - T	CAP MA 0.033UF 100V J	0.033/100(M)
C154	3609392120 - T	CAP MA 0.0039UF 100V J	0.0039/100(M)
C216	3609473120 - T	CAP MA 0.047UF 100V	0.047/100(M)
CON416	4355942510	CON ASS'Y 2P	ASS'Y 2P
CON101 - 106	4355928613	CONNECTOR ASS'Y 5P	ASS'Y 5P
CON107 - 112	4355928615	CONNECTOR ASS'Y 5P	ASS'Y 5P
CON113	4355928712	CONNECTOR ASS'Y 6P	ASS'Y 6P
CON114	4355928812	CONNECTOR ASS'Y 5P	ASS'Y 5P
XLR106	4408194610	JACK XLR	XLR 3P(M)
CON116	4428595002	LW5267/LWB0640/2.5MM - 02P	WAFER 2P
CON517	4428598303	CONNECTOR WAFER LW - 0640 - 3P	LW3P
DC_TER	4438094610	DC TERMINAL 2P	DC 24V
RCA101	4438095210	JACK RCA 4P	RCA 4P
JACK101 - 107	4438097310	JACK PHONE 4P	PHONE JACK
XLR101 - 105	4438099410	JACK XLR	XLR 3P(F)
RZ101	5528001040	RELAY RZ - 24 RY24W DC24V	24W
R407	JUMP	JUMP	JUMP
C218	OPEN	OPEN	OPEN
	4355934405	TERMINAL WIRE PP - 9113	
	7505299340	HEAT SINK EQ - 131	
	4355740707	CON ASS'Y 2P BLK 150MM	
	4355803613	CON ASS'Y 1P 187T PP - 9113	
	4235007210	GND TERMONAL (POWER B 'D)	
	4355934408	TERMINAL WIRE	
CON115~415	4355474210  4355942510	CON ASS'Y 2P	220V 60Hz 240V 50Hz 120V 60Hz 230V 50Hz 230~240V 50Hz 220V
FUSE	5508111737  5508411739	FUSE 51S 20MM 500MA/250V U/C	220V 60Hz 120V 60Hz 240V 50Hz 230V 50Hz 230~240V 50Hz 220V 50Hz

FUSE CLIP	4458999110	FUSE CLIP 5*20	5*20
<b>VR B'D (4005106010)</b>			
VR612-613	3238082310	VR RV09A-40-20K-A14 ALPHA	10KA
VR614-615	3238082410	VR RV09A-40-20K-1315-0C ALPHA	100KB
VR601-611	3238094810	VR RS209121L2A013A (RSC87)	10KA
VR616	3238094810	VR RS209121L2A013A (RSC87)	10KA*2
CON601 CON603	4355928613	CONNECTOR ASS'Y 5P	ASS'Y 5P
CON602 CON604-606	4355928613	CONNECTOR ASS'Y 5P	ASS' Y 5P
CON607-612	4355928615	CONNECTOR ASS'Y 5P	ASS' Y 5P
CON613	4355928712	CONNECTOR ASS'Y 6P	ASS' Y 6P
CON614	4355928812	CONNECTOR ASS'Y 5P	ASS'Y 5P
<b>S/W B'D (4005106020)</b>			
C503	3549472407	CAP DE2E3KH472MA4B	0.0047/400
CON415	4355474210	CON ASS'Y 2P	ASS' Y 2P
P501-502	4355803613	CON ASS'Y 1P 187T PP-9113	ASS' Y 1P
PWR_SW	4648099110	SW PUSH JPJ010-301DT-41	220V 60Hz 120V 60Hz 240V 50Hz
	4648098410	SW PS-5-W7AV	230V 50Hz 230-240V 50Hz
	4648097110	SW POWER KDCA06	220V 50Hz
<b>LED B'D (4005106030)</b>			
D404	2300050101	LED LTL-307E-012A	RED
CON416	4355942510	CON ASS'Y 2P	2P
<b>ASS'Y</b>			
CONNECTOR	4408104910	TERMINAL GND(4M)GT-2190C	TERMINAL
CONNECTOR	4355934707	SOCKET TERMINAL(150MM)EUROPE	TERMINAL
POWER TRANS	2828082100	TRANS POWER PP-9113	POWER TRANS
AC INLET	4448996910	AC INLET BACI-05-E1A (BELTON)	220V 60Hz 120V 60Hz 240V 50Hz
	4448997110	AC INLET NO.KE-10.2100.151	230V 50Hz 220V 50Hz 230-240V 50Hz
FUSE DRAWER	4448996911	FUSE DRAWER(31.8MM)	220V 60Hz 120V 60Hz 240V 50Hz
	4448997120	FUSE DRAWER NO.4305.0001(20MM)	230V 50Hz

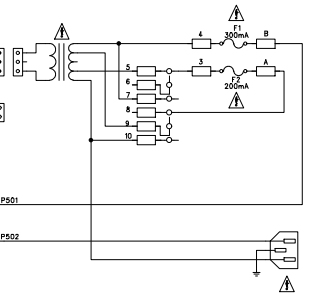


			230-240V 50Hz 220V 50Hz
VOLTAGE	4448996914	VOLTAGE SELECTOR 220V ONLY	220V 60Hz
	4448997112	VOLTAGE 4305.0048.17(115/230)	230V 50Hz 230-240V 50Hz 220V 50Hz
	4448996916	VOLTAGE SELECTOR 120/240V	120V 60Hz 240V 50Hz
FUSE	5508221130	FUSE NB 31.8MM 200MA/250V KS	220V 60Hz
	5508411134	FUSE 218T 20MM 200MA/250V UCSK	230V 50Hz 230-240V 50Hz
	5508221133	FUSE NB 31.8MM 200MA/250V U/C	240V 50Hz
	5508411139	FUSE NB 31.8MM 200MA/250V U/C	220V 50Hz
	5508221333	FUSE NB 31.8MM 300MA/250V U/C	120V 60Hz
AC CORD	4308999310	AC CORD UL 3 (INLET)	120V 60Hz
	4308997310	AC CORD DOME 3-CORES	220V 60Hz
	4308988610	AC POWER CORD CCC	220V 50Hz
	4308996710	AC CORD (WITHOUT PLUG)	230-240V 50Hz
	4308999410	AC CORD V+VII6A -250VHOVV - F3G	230V 50Hz
	4308998000	AC CORD POWER FOR SAA	240V 50Hz

COMPANY	INTER.M	APPLICANT	REVISED NUMBER AND DATE	DRAWN	CHECKED	APPROVED	NOTE
TYPE CODE	00.00.00		1. 4.				
APPROVED DATE			2. 5.				
			3. 6.				
			4. 7.				
			5. 8.				
			6. 9.				



	AC INPUT
KS	220Vac/60Hz
EUROPE	230Vac/50Hz
UL/CSA	120Vac/60Hz
	FUSE
KS	220Vac/60Hz
EURORE	230Vac/50Hz
UL/CSA	230~240Vac/50Hz
	120Vac/60Hz



MAIN B'D 4005106000

VR B'D 4005106010