

SERVICE

MANUAL

R E F E R E N C E

AMPLIFIER

R-150PLUS/300PLUS/500PLUS

interM

ELECTRICAL PARTS LIST (R - 150 PLUS)

Ref No.	Part No.	Description	Value	Qty
---------	----------	-------------	-------	-----

MAIN B'D (C4008499900)

D200	2058100988	DIODE BRIDGE PBU 804	804	1
C203	3639474255	CAP TL 474K 250V K	474/250	1
CN10	4355923806	CONNECTOR WAFER 06P(J.ST)	6P	1
CN5	4355923807	CON WAFER 07P JST (3.96)	7P	1
CN7	4355923803	CONNECTOR WAFER 03P(J.ST)	3P	1
D201-202	2058100996	DIODE RECTIFIER LT1N4006(4007)	1N 4006	2
C208	3409210141-T	CAP AF RSG 100UF 25V 6 P	100/25	1
C207	3409247991-T	CAP AF RSG 4.7UF 100V 5 P	4.7/100	1
C211	3409210141-T	CAP AF RSG 100UF 25V 6 P	100/25	1
C210	3409210171-T	CAP AF RSG 100UF 50V 8 P	100/50	1
C201-202	3419568281	CAP AF 6800UF 63V 30P JAMICON	6800/63	2
GND1	6505958210	GND TERMINAL	GND PLATE	1
R201	3009104973	RES CF 100K 1/5W J N	100K	1
R202-205	3009223973	RES CF 22K 1/5W J N	22K	4
R206-207	3009183973	RES CF 18K 1/5W J N	18K	2
R221	3039681572-F	RES MO 680 2W J N	680k 2W	1
R220	3009223973	RES CF 22K 1/5W J N	22K	1
R208	3009223973	RES CF 22K 1/5W J N	22K	1
R209	3009471973	RES CF 470 1/5W J N	470	1
R212	3009104973	RES CF 100K 1/5W J N	100K	1
R210	3009223973	RES CF 22K 1/5W J N	22K	1
R211	3009563973	RES CF 56K 1/5W J N	56K	1
RY1	5528009950	RELAY HR-CR3A23 DC 24VH	RLY DC24V	1
IC201	2118050410	IC TA7317P TOSHIBA	TA7317P	1
CN4	4355923804	CONNECTOR WAFER 04P (J.ST)	WAFHW4P3.96	1

1CH AMP B'D (C4008499910)

C101L	3509102231-A	CAP CE YB 1000PF 50V K AXIAL	0.001	1
C07L C301L C302L	3509104530-T	CAP CE F 0.1UF 50V Z	0.1/50	3
C03L C04L	3509101231-A	CAP CE B 100PF 50V K AXIAL	100P	2
C104L C106L C160L	3529150311-A	CAP CE SL 15PF 50V J AXIAL	15P	3
C08L	3529100311-A	CAP CE SL 10PF 50V J AXIAL	10P	1
C112L	3529330311-A	CAP CE SL 33PF 50V J AXIAL	33P	1
C05L	3529050311-A	CAP CE SL 5P 50V C AXIAL	5P	1
AN5	4355464911	CON ASS'Y 7P JST	7P	1
L101L	2648099920	COIL INDUCTOR 0.6UH	0.6uH	1
AN11-1	4355465109	CON ASS'Y 3P SHIELD	3P	1
AN2	4355465202	CON ASS'Y 6P SHIELD(3P)	6P	1
D101L D102L D103L D104L D106L D107L D108L D109L D110L D111L D112L	2058304100	DIODE IN4148M	1N4148	11
D113L D114L	2058100110	DIODE RL207 PYUNG CHANG	PS 2010	2
C105L C117L	3409210071-T	CAP AF RSG 10UF 50V 5 P	10/50	2
C118L C119L	3409247991-T	CAP AF RSG 4.7UF 100V 5 P	4.7/100	2
C113L C114L	3409222071-T	CAP AF RSG 22UF 50V 5 P	22/50	2
C115L	3409222141-T	CAP AF RSG 220UF 25V J 8 P	220/25	1
C102L	3409247971-T	CAP AF RSG 4.7UF 50V 5 P	4.7/50	1

C01L C02L C06L C303L C304L	3409247071-T	CAP AF RSG 47UF 50V 6 P	47/50	5
JK9	C4438097210	JACK PHONE(4P) JY-6313(J.T)	PHONE 4P	1
JK3	4438189310	XLR JACK(F) JY-5033A(J.T)	XLR 3P(F)	1
C108L C109L	3609472120-T	CAP MA 0.0047UF 100V J	0.0047(M)	2
C116L	3609104122-T	CAP MA 0.1UF 100V J SMALL	0.1(M)	1
IC10L	2118010232	IC NJM072D JRC	NJM 072D	1
IC2L	2118010432	IC NJM2068DD JRC	NJM 2068D	1
PO2	2438007993	POSISTOR PTFM04BE222Q2N34B0	27	1
R137L R138L	3059278674	RES CE RGC3 0.27 3W(NOBLE)	0.27 5W	2
R132L R133L	3009431973	RES CF 430 1/5W J N	430	2
R120L R123L	3089101275	RES NFR 100 1/4W J R PHILKO	100	2
R124L R127L	3009101973	RES CF 100 1/5W J N	100	2
R152L	3009104973	RES CF 100K 1/5W J N	100K	1
R130L R135L	3089100275	RES NFR 10 1/4W J R PHILKO	10(NFR)	2
R141L	3039100575-T	RES MO 10 2W JR	10 2W	1
R103L R155L	3009123973	RES CF 12K 1/5W J N	12K	2
R122L	3009151973	RES CF 150 1/5W J N	150	1
R153L R160L	3009154973	RES CF 150K 1/5W J N	150K	2
R159L R158L	3009123973	RES CF 12K 1/5W J N	12K	2
R106L R107L	3009181973	RES CF 180 1/5W J N	180	2
R143L R144L	3009183973	RES CF 18K 1/5W J N	18K	2
R101L R112L R113L R118L R119L	3009102973	RES CF 1K 1/5W J N	1K	5
R146L	3009222973	RES CF 2.2K 1/5W J N	2.2K	1
R301L R302L	3059222774	RES CE 2.2K 5W	2.2K 5W	2
R128L	3039271575-T	RES MO 270 2W J RADIAL	270 2W	1
R07L R08L	3009563973	RES CF 56K 1/5W J N	56K	2
R09L	3009470973	RES CF 47 1/5W J N	47	1
R148L	3009273973	RES CF 27K 1/5W J N	27K	1
R108L R109L R110L R111L	3009332973	RES CF 3.3K 1/5W J N	3.3K	4
R150L	3009391973	RES CF 390 1/5W J N	390	1
R226L	3009393973	RES CF 39K 1/5W J N	39K	1
R223L	3009302973	RES CF 3K 1/5W J N	3K	1
R129L R136L	3039479575-T	RES MO 4.7 2W J RADIAL	4.7 2W	2
R03L R04L R05L R06L	3002100953	RES CF 10K 1/5W F N	10K	4
R145L R147L	3009472973	RES CF 4.7K 1/5W J N	4.7K	2
R121L	3009471973	RES CF 470 1/5W J N	470	1
R114L R115L R116L R117L	3009470973	RES CF 47 1/5W J N	47	4
R01L R02L	3009473973	RES CF 47K 1/5W J N	47K	2
R154L R157L	3009102973	RES CF 1K 1/5W J N	1K	2
R151L	3009561973	RES CF 560 1/5W J N	560	1
R102L	3009563973	RES CF 56K 1/5W J N	56K	1
R156L	3009303973	RES CF 30K 1/5W J N	30K	1
R161L	3039681575-T	RES MO 680 2W J RASIAL	680 2W	1
R104L R105L	3009683973	RES CF 68K 1/5W J N	68K	2
R125L R126L	3009113973	RES CF 11K 1/5W J N	11K	2
R149L	3009912973	RES CF 9.1K 1/5W JN	9.1K	1
SVR1L	3248347120-T	RES SEMI RH063MCS2R	470B	1
TP1L				1
TP2L			TP	1

Q112L	2028407990	KTC4370A-Y-U	2SC 4370A	1
Q116L	2028407122	TR NPN 2SC5200 TOSHIBA	5200	1
Q103L Q104L Q120L	2008606108-T	KTC3200-BL-AT	C3200	3
Q107L	2028407990	KTC4370A-Y-U	C4370	1
Q109L	2008606107-T	KTC3206-Y-AT	C3206	1
Q102L Q110L Q121L Q201L	2008606104-T	TR NPN KTC3198-Y-AT TO-92	KTC 3198Y	4
Q101L Q111L	2008606105-T	TR NPN KTA1266-Y-AT TO-92	2SA 1266GR	2
Q113L	2028107984	KTA1659A-Y-U	2SA 1659A	1
Q105L Q106L	2008206106-T	KTA2400-GR-AT	KTA2400-GR-AT	2
Q117L	2028107118	TR PNP 2SA1943 TOSHIBA	1943	1
Q122L Q123L	2008206105-T	TR PNP KTA1268-GR-AT TO-92	KTA 1268	2
Q108L	2008206997-T	KTA1024-Y-AT	A1024	1
D301L D302L	2058502150	DIODE ZENER UZ-15BM(1N5245B)	UZ 15BM 1W	2

2CH AMP B'D (C4008499920)

C101R	3509102231-A	CAP CE YB 1000PF 50V K AXIAL	0.001	1
C07R C301R C302R	3509104530-T	CAP CE F 0.1UF 50V Z	0.1/50	3
C03R C04R	3509101231-A	CAP CE B 100PF 50V K AXIAL	100P	2
C104R C106R C160R	3529150311-A	CAP CE SL 15PF 50V J AXIAL	15P	3
C112R	3529330311-A	CAP CE SL 33PF 50V J AXIAL	33P	1
C05R	3529050311-A	CAP CE SL 5P 50V C AXIAL	5P	1
CN9	4355464811	CON ASS'Y 6P JST	6P	1
L101R	2648099920	COIL INDUCTOR 0.6UH	0.6uH	1
AN11	4428594903	LA5268/LAB0640/2.5MM-03P	3P	1
AN1	4355465209	CON ASS'Y 6P SHIELD(3P)	6P	1
D101R D102R D103R D104R D106R D107R D108R D109R D110R D111R D112R	2058304100	DIODE IN4148M	1N4148	11
D113R D114R	2058100110	DIODE RL207 PYUNG CHANG	PS 2010	2
C105R C117R	3409210071-T	CAP AF RSG 10UF 50V 5 P	10/50	2
C118R C119R	3409247991-T	CAP AF RSG 4.7UF 100V 5 P	4.7/100	2
C113R C114R	3409222071-T	CAP AF RSG 22UF 50V 5 P	22/50	2
C115R	3409222141-T	CAP AF RSG 220UF 25V J 8 P	220/25	1
C102R	3409247971-T	CAP AF RSG 4.7UF 50V 5 P	4.7/50	1
C01R C02R C06R C303R C304R	3409247071-T	CAP AF RSG 47UF 50V 6 P	47/50	5
JK1	C4438097210	JACK PHONE(4P) JY-6313(J.T)	PHONE 4P	1
JK4	4438189310	XLR JACK(F) JY-5033A(J.T)	XLR 3P(F)	1
C108R C109R	3609472120-T	CAP MA 0.0047UF 100V J	0.0047(M)	2
C116R	3609104122-T	CAP MA 0.1UF 100V J SMALL	0.1(M)	1
IC10R	2118010232	IC NJM072D JRC	NJM 072D	1
IC2R	2118010432	IC NJM2068DD JRC	NJM 2068D	1
PO1	2438007993	POSISTOR PTFM04BE222Q2N34B0	27	1
R137R R138R	3059278674	RES CE RGC3 0.27 3W(NOBLE)	0.27 5W	2
R132R R133R	3009431973	RES CF 430 1/5W J N	430	2
R120R R123R	3089101275	RES NFR 100 1/4W J R PHILKO	100	2
R124R R127R	3009101973	RES CF 100 1/5W J N	100	2
R152R	3009104973	RES CF 100K 1/5W J N	100K	1
R130R R135R	3089100275	RES NFR 10 1/4W J R PHILKO	10(NFR)	2
R141R	3039100575-T	RES MO 10 2W JR	10 2W	1
R103R R155R	3009123973	RES CF 12K 1/5W J N	12K	2

R122R	3009151973	RES CF 150 1/5W J N	150	1
R153R R160R	3009154973	RES CF 150K 1/5W J N	150K	2
R159R R158R	3009123973	RES CF 12K 1/5W J N	12K	2
R106R R107R	3009181973	RES CF 180 1/5W J N	180	2
R143R R144R	3009183973	RES CF 18K 1/5W J N	18K	2
R101R R112R R113R R118R R119R	3009102973	RES CF 1K 1/5W J N	1K	5
R146R	3009222973	RES CF 2.2K 1/5W J N	2.2K	1
R301R R302R	3059222774	RES CE 2.2K 5W	2.2K 5W	2
R128R	3039271575-T	RES MO 270 2W J RADIAL	270 2W	1
R10R	3009563973	RES CF 56K 1/5W J N	56K	1
R148R	3009273973	RES CF 27K 1/5W J N	27K	1
R108R R109R R110R R111R	3009332973	RES CF 3.3K 1/5W J N	3.3K	4
R150R	3009391973	RES CF 390 1/5W J N	390	1
R129R R136R	3039479575-T	RES MO 4.7 2W J RADIAL	4.7 2W	2
R03R R04R R05R R06R	3002100953	RES CF 10K 1/5W F N	10K	4
R145R R147R	3009472973	RES CF 4.7K 1/5W J N	4.7K	2
R121R	3009471973	RES CF 470 1/5W J N	470	1
R114R R115R R116R R117R	3009470973	RES CF 47 1/5W J N	47	4
R01R R02R	3009473973	RES CF 47K 1/5W J N	47K	2
R154R R157R	3009102973	RES CF 1K 1/5W J N	1K	2
R151R	3009561973	RES CF 560 1/5W J N	560	1
R102R	3009563973	RES CF 56K 1/5W J N	56K	1
R156R	3009303973	RES CF 30K 1/5W J N	30K	1
R104R R105R	3009683973	RES CF 68K 1/5W J N	68K	2
R125R R126R	3009113973	RES CF 11K 1/5W J N	11K	2
R149R	3009912973	RES CF 9.1K 1/5W JN	9.1K	1
SVR1R	3248347120-T	RES SEMI RH063MCS2R	470B	1
S3	4618001110	SW SV10020-0202-9T-SN	SLIDE SW	1
TP1				1
TP2			TP	1
Q112R	2028407990	KTC4370A-Y-U	2SC 4370A	1
Q116R	2028407122	TR NPN 2SC5200 TOSHIBA	5200	1
Q103R Q104R Q120R	2008606108-T	KTC3200-BL-AT	C3200	3
Q107R	2028407990	KTC4370A-Y-U	C4370	1
Q109R	2008606107-T	KTC3206-Y-AT	C3206	1
Q102R Q110R Q121R	2008606104-T	TR NPN KTC3198-Y-AT TO-92	KTC 3198Y	3
Q101R Q111R	2008606105-T	TR NPN KTA1266-Y-AT TO-92	2SA 1266GR	2
Q113R	2028107984	KTA1659A-Y-U	2SA 1659A	1
Q105R Q106R	2008206106-T	KTA2400-GR-AT	2400	2
Q117R	2028107118	TR PNP 2SA1943 TOSHIBA	1943	1
Q122R Q123R	2008206105-T	TR PNP KTA1268-GR-AT TO-92	KTA 1268	2
Q108R	2008206997-T	KTA1024-Y-AT	A1024	1
D301R D302R	2058502150	DIODE ZENER UZ-15BM(1N5245B)	UZ 15BM 1W	2

OUTPUT B'D (C4008499930)

JK5-6	4438091710	JACK SPEAKON (PCB INSERT TYPE)	JACK SPEAKON	2
C501-504	3609104122-T	CAP MA 0.1UF 100V J SMALL	0.1/100(M)	4
R501-504	3039470575-T	RES MO 47 2W J RADIAL	47 2W	4
SP1	4438190410	BINDING POST(2P)	BINDING POST	1
SP2	4438190420	BINDING POST(2P)	BINDING POST	1

AN4	4355465007	CON ASS'Y 4P JST	WAFHW4P3.96	1
-----	------------	------------------	-------------	---

LED B'D (C4008499940)

CN1-2	4428595006	LW5267/LWB0640/2.5MM-06P	6P	2
GND2	6505958210	GND TERMINAL	GND PLATE	1
LD4	2300032105	LED LTL-1CHG-021A LITEON	LED GRE	1
LD1 LD3 LD5 LD7	2300030105	LED LTL-1CHE-021A LITEON	LED RED	4
LD6	2300032105	LED LTL-1CHG-021A LITEON	LED GRE	1
LD2	2300032105	LED LTL-1CHG-021A LITEON	LED GRN	1
R505	3009102973	RES CF 1K 1/5W J N	1K	1
R506-507	3009472973	RES CF 4.7K 1/5W J N	4.7K	2
VR3-4	3228070100	VR RK16311E0Z0113B	10Kb	2

ELECTRICAL PARTS LIST (R - 300)

Ref No.	Part No.	Description	Value	Qty
---------	----------	-------------	-------	-----

MAIN B'D (C4008499900)

D200	2058100988	DIODE BRIDGE PBU 804	804	1
C203	3639474255	CAP TL 474K 250V K	474/250	1
CN10	4355923806	CONNECTOR WAFER 06P(J.ST)	6P	1
CN5	4355923807	CON WAFER 07P JST (3.96)	7P	1
CN7	4355923803	CONNECTOR WAFER 03P(J.ST)	3P	1
D201-202	2058100996	DIODE RECTIFIER LT1N4006(4007)	1N 4006	2
C208	3409210141-T	CAP AF RSG 100UF 25V 6 P	100/25	1
C207	3409247991-T	CAP AF RSG 4.7UF 100V 5 P	4.7/100	1
C211	3409210141-T	CAP AF RSG 100UF 25V 6 P	100/25	1
C210	3409210171-T	CAP AF RSG 100UF 50V 8 P	100/50	1
C201-202	3409510335	CAP LSW 10000UF/63V (JAMICON)	10000/63	2
GND1	6505958210	GND TERMINAL	GND PLATE	1
R201	3009104973	RES CF 100K 1/5W J N	100K	1
R202-205	3009223973	RES CF 22K 1/5W J N	22K	4
R206-207	3009183973	RES CF 18K 1/5W J N	18K	2
R221	3039102575-T	RES MO 1K 2W J RADIAL	1K 2W	1
R220	3009223973	RES CF 22K 1/5W J N	22K	1
R208	3009223973	RES CF 22K 1/5W J N	22K	1
R209	3009471973	RES CF 470 1/5W J N	470	1
R212	3009104973	RES CF 100K 1/5W J N	100K	1
R210	3009223973	RES CF 2.2K 1/5W J N	22K	1
R211	3009563973	RES CF 56K 1/5W J N	56K	1
RY1	5528009950	RELAY HR-CR3A23 DC 24VH	RLY DC24V	1
IC201	2118050410	IC TA7317P TOSHIBA	TA7317P	1
CN4	4355923804	CONNECTOR WAFER 04P (J.ST)	WAFHW4P3.96	1

1CH AMP B'D (C4008499910)

C101L	3509102231-A	CAP CE YB 1000PF 50V K AXIAL	0.001	1
C07L C301L C302L	3509104530-T	CAP CE F 0.1UF 50V Z	0.1/50	3
C03L C04L	3509101231-A	CAP CE B 100PF 50V K AXIAL	100P	2
C104L C106L C160L	3529150311-A	CAP CE SL 15PF 50V J AXIAL	15P	3
C08L	3529100311-A	CAP CE SL 10PF 50V J AXIAL	10P	1
C112L	3529330311-A	CAP CE SL 33PF 50V J AXIAL	33P	1
C05L	3529050311-A	CAP CE SL 5P 50V C AXIAL	5P	1
AN5	4355464911	CON ASS'Y 7P JST	7P	1
L101L	2648099920	COIL INDUCTOR 0.6UH	0.6uH	1
AN11-1	4355465109	CON ASS'Y 3P SHIELD	3P	1
AN2	4355465202	CON ASS'Y 6P SHIELD(3P)	6P	1
D101L D102L D103L D104L D106L D107L D108L D109L D110L D111L D112L	2058304100	DIODE IN4148M	1N4148	11
D113L D114L	2058100110	DIODE RL207 PYUNG CHANG	PS 2010	2
C105L C117L	3409210071-T	CAP AF RSG 10UF 50V 5 P	10/50	2
C118L C119L	3409247991-T	CAP AF RSG 4.7UF 100V 5 P	4.7/100	2
C113L C114L	3409222071-T	CAP AF RSG 22UF 50V 5 P	22/50	2
C115L	3409222141-T	CAP AF RSG 220UF 25V J 8 P	220/25	1

C102L	3409247971-T	CAP AF RSG 4.7UF 50V 5 P	4.7/50	1
C01L C02L C06L C303L C304L	3409247071-T	CAP AF RSG 47UF 50V 6 P	47/50	5
JK9	C4438097210	JACK PHONE(4P) JY-6313(J.T)	PHONE 4P	1
JK3	4438189310	XLR JACK(F) JY-5033A(J.T)	XLR 3P(F)	1
C108L C109L	3609472120-T	CAP MA 0.0047UF 100V J	0.0047(M)	2
C116L	3609104122-T	CAP MA 0.1UF 100V J SMALL	0.1(M)	1
IC10L	2118010232	IC NJM072D JRC	NJM 072D	1
IC2L	2118010432	IC NJM2068DD JRC	NJM 2068D	1
PO2	2438007993	POSISTOR PTFM04BE222Q2N34B0	27	1
R137L R138L R187L R188L	3059278674	RES CE RGC3 0.27 3W(NOBLE)	0.27 5W	4
R132L R133L	3009471973	RES CF 470 1/5W J N	470	2
R120L R123L	3089101275	RES NFR 100 1/4W J R PHILKO	100	2
R124L R127L	3009101973	RES CF 100 1/5W J N	100	2
R152L	3009104973	RES CF 100K 1/5W J N	100K	1
R130L R135L R180L R185L	3089100275	RES NFR 10 1/4W J R PHILKO	10(NFR)	4
R141L	3039100575-T	RES MO 10 2W JR	10 2W	1
R103L R155L	3009123973	RES CF 12K 1/5W J N	12K	2
R122L	3009151973	RES CF 150 1/5W J N	150	1
R153L R160L	3009154973	RES CF 150K 1/5W J N	150K	2
R159L R158L	3009123973	RES CF 12K 1/5W J N	12K	2
R106L R107L	3009181973	RES CF 180 1/5W J N	180	2
R143L R144L	3009183973	RES CF 18K 1/5W J N	18K	2
R101L R112L R113L R118L R119L	3009102973	RES CF 1K 1/5W J N	1K	5
R146L	3009222973	RES CF 2.2K 1/5W J N	2.2K	1
R301L R302L	3059227774	RES CE 2.7K 5W	2.7K 5W	2
R128L	3039271575-T	RES MO 270 2W J RADIAL	270 2W	1
R07L R08L	3009563973	RES CF 56K 1/5W J N	56K	2
R09L	3009470973	RES CF 47 1/5W J N	47	1
R148L	3009273973	RES CF 27K 1/5W J N	27K	1
R108L R109L R110L R111L	3009332973	RES CF 3.3K 1/5W J N	3.3K	4
R150L	3009391973	RES CF 390 1/5W J N	390	1
R226L	3009393973	RES CF 39K 1/5W J N	39K	1
R223L	3009302973	RES CF 3K 1/5W J N	3K	1
R129L R136L	3039479575-T	RES MO 4.7 2W J RADIAL	4.7 2W	2
R03L R04L R05L R06L	3002100953	RES CF 10K 1/5W F N	10K	4
R145L R147L	3009472973	RES CF 4.7K 1/5W J N	4.7K	2
R121L	3009471973	RES CF 470 1/5W J N	470	1
R114L R115L R116L R117L	3009470973	RES CF 47 1/5W J N	47	4
R01L R02L	3009473973	RES CF 47K 1/5W J N	47K	2
R154L R157L	3009102973	RES CF 1K 1/5W J N	1K	2
R151L	3009561973	RES CF 560 1/5W J N	560	1
R102L	3009563973	RES CF 56K 1/5W J N	56K	1
R156L	3009303973	RES CF 30K 1/5W J N	30K	1
R161L	3039681575-T	RES MO 680 2W J RASIAL	680 2W	1
R104L R105L	3009683973	RES CF 68K 1/5W J N	68K	2
R125L R126L	3002150953	RES CF 15K 1/5W F N	15K	2

R149L	3009113973	RES CF 11K 1/5W J N	11K	1
SVR1L	3248347120-T	RES SEMI RH063MCS2R	470B	1
TP1L				1
TP2L			TP	1
Q112L	2028407990	KTC4370A-Y-U	2SC 4370A	1
Q116L Q186L	2028407122	TR NPN 2SC5200 TOSHIBA	3856	2
Q103L Q104L Q120L	2008606108-T	KTC3200-BL-AT	C3200	3
Q107L	2028407990	KTC4370A-Y-U	C4370	1
Q109L	2008606107-T	KTC3206-Y-AT	KTC3206Y	1
Q102L Q110L Q121L Q201L	2008606104-T	TR NPN KTC3198-Y-AT TO-92	KTC 3198Y	4
Q101L Q111L	2008606105-T	TR NPN KTA1266-Y-AT TO-92	2SA 1266GR	2
Q113L	2028107984	KTA1659A-Y-U	2SA 1659A	1
Q105L Q106L	2008206106-T	KTA2400-GR-AT	KTA2400-GR-AT	2
Q117L Q187L	2028107118	TR PNP 2SA1943 TOSHIBA	1492	2
Q122L Q123L	2008206105-T	TR PNP KTA1268-GR-AT TO-92	KTA 1268	2
Q108L	2008206997-T	KTA1024-Y-AT	A1024	1
D301L D302L	2058502150	DIODE ZENER UZ-15BM(1N5245B)	UZ 15BM 1W	2

2CH AMP B'D (C4008499920)

C101R	3509102231-A	CAP CE YB 1000PF 50V K AXIAL	0.001	1
C07R C301R C302R	3509104530-T	CAP CE F 0.1UF 50V Z	0.1/50	3
C03R C04R	3509101231-A	CAP CE B 100PF 50V K AXIAL	100P	2
C104R C106R C160R	3529150311-A	CAP CE SL 15PF 50V J AXIAL	15P	3
C112R	3529330311-A	CAP CE SL 33PF 50V J AXIAL	33P	1
C05R	3529050311-A	CAP CE SL 5P 50V C AXIAL	5P	1
CN9	4355464811	CON ASS'Y 6P JST	6P	1
L101R	2648099920	COIL INDUCTOR 0.6UH	0.6uH	1
AN11	4428594903	LA5268/LAB0640/2.5MM-03P	3P	1
AN1	4355465209	CON ASS'Y 6P SHIELD(3P)	6P	1
D101R D102R D103R D104R D106R D107R D108R D109R D110R D111R D112R	2058304100	DIODE IN4148M	1N4148	11
D113R D114R	2058100110	DIODE RL207 PYUNG CHANG	PS 2010	2
C105R C117R	3409210071-T	CAP AF RSG 10UF 50V 5 P	10/50	2
C118R C119R	3409247991-T	CAP AF RSG 4.7UF 100V 5 P	4.7/100	2
C113R C114R	3409222071-T	CAP AF RSG 22UF 50V 5 P	22/50	2
C115R	3409222141-T	CAP AF RSG 220UF 25V J 8 P	220/25	1
C102R	3409247971-T	CAP AF RSG 4.7UF 50V 5 P	4.7/50	1
C01R C02R C06R C303R C304R	3409247071-T	CAP AF RSG 47UF 50V 6 P	47/50	5
JK1	C4438097210	JACK PHONE(4P) JY-6313(J.T)	PHONE 4P	1
JK4	4438189310	XLR JACK(F) JY-5033A(J.T)	XLR 3P(F)	1
C108R C109R	3609472120-T	CAP MA 0.0047UF 100V J	0.0047(M)	2
C116R	3609104122-T	CAP MA 0.1UF 100V J SMALL	0.1(M)	1
IC10R	2118010232	IC NJM072D JRC	NJM 072D	1
IC2R	2118010432	IC NJM2068DD JRC	NJM 2068D	1
PO1	2438007993	POSISTOR PTFM04BE222Q2N34B0	27	1
R137R R138R R187R R188R	3059278674	RES CE RGC3 0.27 3W(NOBLE)	0.27 5W	4
R132R R133R	3009471973	RES CF 470 1/5W J N	470	2
R120R R123R	3089101275	RES NFR 100 1/4W J R PHILKO	100	2

R124R R127R	3009101973	RES CF 100 1/5W J N	100	2
R152R	3009104973	RES CF 100K 1/5W J N	100K	1
R130R R135R R180R R185R	3089100275	RES NFR 10 1/4W J R PHILKO	10(NFR)	4
R141R	3039100575-T	RES MO 10 2W JR	10 2W	1
R103R R155R	3009123973	RES CF 12K 1/5W J N	12K	2
R122R	3009151973	RES CF 150 1/5W J N	150	1
R153R R160R	3009154973	RES CF 150K 1/5W J N	150K	2
R159R R158R	3009123973	RES CF 12K 1/5W J N	12K	2
R106R R107R	3009181973	RES CF 180 1/5W J N	180	2
R143R R144R	3009183973	RES CF 18K 1/5W J N	18K	2
R101R R112R R113R R118R R119R	3009102973	RES CF 1K 1/5W J N	1K	5
R146R	3009222973	RES CF 2.2K 1/5W J N	2.2K	1
R301R R302R	3059227774	RES CE 2.7K 5W	2.7K 5W	2
R128R	3039271575-T	RES MO 270 2W J RADIAL	270 2W	1
R10R	3009563973	RES CF 56K 1/5W J N	56K	1
R148R	3009273973	RES CF 27K 1/5W J N	27K	1
R108R R109R R110R R111R	3009332973	RES CF 3.3K 1/5W J N	3.3K	4
R150R	3009391973	RES CF 390 1/5W J N	390	1
R129R R136R	3039479575-T	RES MO 4.7 2W J RADIAL	4.7 2W	2
R03R R04R R05R R06R	3002100953	RES CF 10K 1/5W F N	10K	4
R145R R147R	3009472973	RES CF 4.7K 1/5W J N	4.7K	2
R121R	3009471973	RES CF 470 1/5W J N	470	1
R114R R115R R116R R117R	3009470973	RES CF 47 1/5W J N	47	4
R01R R02R	3009473973	RES CF 47K 1/5W J N	47K	2
R154R R157R	3009102973	RES CF 1K 1/5W J N	1K	2
R151R	3009561973	RES CF 560 1/5W J N	560	1
R102R	3009563973	RES CF 56K 1/5W J N	56K	1
R156R	3009303973	RES CF 30K 1/5W J N	30K	1
R104R R105R	3009683973	RES CF 68K 1/5W J N	68K	2
R125R R126R	3002150953	RES CF 15K 1/5W F N	15K	2
R149R	3009113973	RES CF 11K 1/5W J N	11K	1
SVR1R	3248347120-T	RES SEMI RH063MCS2R	470B	1
S3	4618001110	SW SV10020-0202-9T-SN	SLIDE SW	1
TP1				1
TP2			TP	1
Q112R	2028407990	KTC4370A-Y-U	2SC 4370A	1
Q116R Q186R	2028407122	TR NPN 2SC5200 TOSHIBA	3856	2
Q103R Q104R Q120R	2008606108-T	KTC3200-BL-AT	C3200	3
Q107R	2028407990	KTC4370A-Y-U	C4370	1
Q109R	2008405999	KTC3206-Y-AT	C3206	1
Q102R Q110R Q121R	2008606104-T	TR NPN KTC3198-Y-AT TO-92	KTC 3198Y	3
Q101R Q111R	2008606105-T	TR NPN KTA1266-Y-AT TO-92	2SA 1266GR	2
Q113R	2028107984	KTA1659A-Y-U	2SA 1659A	1
Q105R Q106R	2008206106-T	KTA2400-GR-AT	2400	2
Q117R Q187R	2028107118	TR PNP 2SA1943 TOSHIBA	1492	2
Q122R Q123R	2008206105-T	TR PNP KTA1268-GR-AT TO-92	KTA 1268	2
Q108R	2008005999	KTA1024-Y-AT	A1024	1
D301R D302R	2058502150	DIODE ZENER UZ-15BM(1N5245B)	UZ 15BM 1W	2

OUTPUT B'D (C4008499930)

JK5-6	4438091710	JACK SPEAKON (PCB INSERT TYPE)	JACK SPEAKON	2
C501-504	3609104122-T	CAP MA 0.1UF 100V J SMALL	0.1/100(M)	4
R501-504	3039470575-T	RES MO 47 2W J RADIAL	47 2W	4
SP1	4438190410	BINDING POST(2P)	BINDING POST	1
SP2	4438190420	BINDING POST(2P)	BINDING POST	1
AN4	4355465007	CON ASSY 4P JST	WAFHW4P3.96	1

LED B'D (C4008499940)

CN1-2	4428595006	LW5267/LWB0640/2.5MM-06P	6P	2
GND2	6505958210	GND TERMINAL	GND PLATE	1
LD4	2300032105	LED LTL-1CHG-021A LITEON	LED GRE	1
LD1 LD3 LD5 LD7	2300030105	LED LTL-1CHE-021A LITEON	LED RED	4
LD6	2300032105	LED LTL-1CHG-021A LITEON	LED GRE	1
LD2	2300032105	LED LTL-1CHG-021A LITEON	LED GRN	1
R505	3009102973	RES CF 1K 1/5W J N	1K	1
R506-507	3009472973	RES CF 4.7K 1/5W J N	4.7K	2
VR3-4	3228070100	VR RK16311E0Z0113B	10Kb	2

ELECTRICAL PARTS LIST (R - 500)

Ref No.	Part No.	Description	Value	Qty
---------	----------	-------------	-------	-----

MAIN B'D (C4008499900)

D200	2058100968	DIODE BRIDGE KBU1004G TAIWAN	1004	1
C203	3639474255	CAP TL 474K 250V K	474/250	1
CN10	4355923806	CONNECTOR WAFER 06P(J.ST)	6P	1
CN5	4355923807	CON WAFER 07P JST (3.96)	7P	1
CN7	4355923803	CONNECTOR WAFER 03P(J.ST)	3P	1
D201-202	2058100996	DIODE RECTIFIER LT1N4006(4007)	1N 4006	2
C208	3409210141-T	CAP AF RSG 100UF 25V 6 P	100/25	1
C207	3409247991-T	CAP AF RSG 4.7UF 100V 5 P	4.7/100	1
C211	3409210141-T	CAP AF RSG 100UF 25V 6 P	100/25	1
C210	3409210171-T	CAP AF RSG 100UF 50V 8 P	100/50	1
C201-202	3419510350	CAP LSW 10000UF/80V	10000/80	2
GND1	6505958210	GND TERMINAL	GND PLATE	1
R201	3009104973	RES CF 100K 1/5W J N	100K	1
R202-205	3009223973	RES CF 22K 1/5W J N	22K	4
R206-207	3009183973	RES CF 18K 1/5W J N	18K	2
R221	3039152575-T	RES MO 1.5K 2W J RADIAL	1.5k 2W	1
R220	3009223973	RES CF 22K 1/5W J N	22K	1
R208	3009223973	RES CF 22K 1/5W J N	22K	1
R209	3009471973	RES CF 470 1/5W J N	470	1
R212	3009104973	RES CF 100K 1/5W J N	100K	1
R210	3009223973	RES CF 2.2K 1/5W J N	22K	1
R211	3009563973	RES CF 56K 1/5W J N	56K	1
RY1	5528009950	RELAY HR-CR3A23 DC 24VH	RLY DC24V	1
IC201	2118050410	IC TA7317P TOSHIBA	TA7317P	1
CN4	4355923804	CONNECTOR WAFER 04P (J.ST)	WAFHW4P3.96	1

1CH AMP B'D (C4008499910)

C101L	3509102231-A	CAP CE YB 1000PF 50V K AXIAL	0.001	1
C07L C301L C302L	3509104530-T	CAP CE F 0.1UF 50V Z	0.1/50	3
C03L C04L	3509101231-A	CAP CE B 100PF 50V K AXIAL	100P	2
C104L C106L C160L	3529150311-A	CAP CE SL 15PF 50V J AXIAL	15P	3
C08L	3529100311-A	CAP CE SL 10PF 50V J AXIAL	10P	1
C112L	3529330311-A	CAP CE SL 33PF 50V J AXIAL	33P	1
C05L	3529050311-A	CAP CE SL 5P 50V C AXIAL	5P	1
AN5	4355464911	CON ASS'Y 7P JST	7P	1
L101L	2648099920	COIL INDUCTOR 0.6UH	0.6uH	1
AN11-1	4355465109	CON ASS'Y 3P SHIELD	3P	1
AN2	4355465202	CON ASS'Y 6P SHIELD(3P)	6P	1
D101L D102L D103L D104L D106L D107L D108L D109L D110L D111L D112L	2058304100	DIODE IN4148M	1N4148	11
D113L D114L	2058100110	DIODE RL207 PYUNG CHANG	PS 2010	2
C105L C117L	3409210071-T	CAP AF RSG 10UF 50V 5 P	10/50	2
C118L C119L	3409247991-T	CAP AF RSG 4.7UF 100V 5 P	4.7/100	2
C113L C114L	3409222071-T	CAP AF RSG 22UF 50V 5 P	22/50	2
C115L	3409222141-T	CAP AF RSG 220UF 25V J 8 P	220/25	1
C102L	3409247971-T	CAP AF RSG 4.7UF 50V 5 P	4.7/50	1

C01L C02L C06L C303L C304L	3409247071-T	CAP AF RSG 47UF 50V 6 P	47/50	5
JK9	C4438097210	JACK PHONE(4P) JY-6313(J.T)	PHONE 4P	1
JK3	4438189310	XLR JACK(F) JY-5033A(J.T)	XLR 3P(F)	1
C108L C109L	3609472120-T	CAP MA 0.0047UF 100V J	0.0047(M)	2
C116L	3609104122-T	CAP MA 0.1UF 100V J SMALL	0.1(M)	1
IC10L	2118010232	IC NJM072D JRC	NJM 072D	1
IC2L	2118010432	IC NJM2068DD JRC	NJM 2068D	1
PO2	2438007993	POSISTOR PTFM04BE222Q2N34B0	27	1
R137L R138L R177L R178L R187L R188L	3059278674	RES CE RGC3 0.27 3W(NOBLE)	0.27 5W	6
R132L R133L	3009151973	RES CF 150 1/5W J N	150	2
R120L R123L	3089101275	RES NFR 100 1/4W J R PHILKO	100	2
R124L R127L	3009101973	RES CF 100 1/5W J N	100	2
R152L	3009104973	RES CF 100K 1/5W J N	100K	1
R130L R135L R170L R175L R180L R185L	3089100275	RES NFR 10 1/4W J R PHILKO	10(NFR)	6
R141L	3039100575-T	RES MO 10 2W JR	10 2W	1
R103L R155L	3009123973	RES CF 12K 1/5W J N	12K	2
R122L	3009151973	RES CF 150 1/5W J N	150	1
R153L R160L	3009154973	RES CF 150K 1/5W J N	150K	2
R159L R158L	3009123973	RES CF 12K 1/5W J N	12K	2
R106L R107L	3009181973	RES CF 180 1/5W J N	180	2
R143L R144L	3009183973	RES CF 18K 1/5W J N	18K	2
R101L R112L R113L R118L R119L	3009102973	RES CF 1K 1/5W J N	1K	5
R146L	3009222973	RES CF 2.2K 1/5W J N	2.2K	1
R301L R302L	3059302773	RES CE 3K 5W J M	3K 5W	2
R128L	3039271575-T	RES MO 270 2W J RADIAL	270 2W	1
R07L R08L	3009563973	RES CF 56K 1/5W J N	56K	2
R09L	3009470973	RES CF 47 1/5W J N	47	1
R148L	3009273973	RES CF 27K 1/5W J N	27K	1
R108L R109L R110L R111L	3009332973	RES CF 3.3K 1/5W J N	3.3K	4
R150L	3009391973	RES CF 390 1/5W J N	390	1
R226L	3009393973	RES CF 39K 1/5W J N	39K	1
R223L	3009302973	RES CF 3K 1/5W J N	3K	1
R129L R136L	3039479575-T	RES MO 4.7 2W J RADIAL	4.7 2W	2
R03L R04L R05L R06L	3002100953	RES CF 10K 1/5W F N	10K	4
R145L R147L	3009472973	RES CF 4.7K 1/5W J N	4.7K	2
R121L	3009471973	RES CF 470 1/5W J N	470	1
R114L R115L R116L R117L	3009470973	RES CF 47 1/5W J N	47	4
R01L R02L	3009473973	RES CF 47K 1/5W J N	47K	2
R154L R157L	3009102973	RES CF 1K 1/5W J N	1K	2
R151L	3009561973	RES CF 560 1/5W J N	560	1
R102L	3009563973	RES CF 56K 1/5W J N	56K	1
R156L	3009303973	RES CF 30K 1/5W J N	30K	1
R161L	3039681575-T	RES MO 680 2W J RASIAL	680 2W	1
R104L R105L	3009683973	RES CF 68K 1/5W J N	68K	2
R125L R126L	3002100953	RES CF 10K 1/5W F N	10K	2
R149L	3009183973	RES CF 18K 1/5W J N	18K	1

SVR1L	3248347120-T	RES SEMI RH063MCS2R	470B	1
TP1L				1
TP2L			TP	1
Q112L	2028407990	KTC4370A-Y-U	2SC 4370A	1
Q116L Q176L Q186L	2028407122	TR NPN 2SC5200 TOSHIBA	5200	3
Q103L Q104L Q120L	2008606108-T	KTC3200-BL-AT	C3200	3
Q107L	2028407990	KTC4370A-Y-U	C4370	1
Q109L	2008405999	TR NPN 2SC4001 NEC	C4001	1
Q102L Q110L Q121L Q201L	2008606104-T	TR NPN KTC3198-Y-AT TO-92	KTC 3198Y	4
Q101L Q111L	2008606105-T	TR NPN KTA1266-Y-AT TO-92	2SA 1266GR	2
Q113L	2028107984	KTA1659A-Y-U	2SA 1659A	1
Q105L Q106L	2008206106-T	KTA2400-GR-AT	KTA2400-GR-AT	2
Q117L Q177L Q187L	2028107118	TR PNP 2SA1943 TOSHIBA	1943	3
Q122L Q123L	2008206105-T	TR PNP KTA1268-GR-AT TO-92	KTA 1268	2
Q108L	2008005999	TR PNP 2SA 1546 NEC	A1546	1
D301L D302L	2058502150	DIODE ZENER UZ-15BM(1N5245B)	UZ 15BM 1W	2

2CH AMP B'D (C4008499920)

C101R	3509102231-A	CAP CE YB 1000PF 50V K AXIAL	0.001	1
C07R C301R C302R	3509104530-T	CAP CE F 0.1UF 50V Z	0.1/50	3
C03R C04R	3509101231-A	CAP CE B 100PF 50V K AXIAL	100P	2
C104R C106R C160R	3529150311-A	CAP CE SL 15PF 50V J AXIAL	15P	3
C112R	3529330311-A	CAP CE SL 33PF 50V J AXIAL	33P	1
C05R	3529050311-A	CAP CE SL 5P 50V C AXIAL	5P	1
CN9	4355464811	CON ASS'Y 6P JST	6P	1
L101R	2648099920	COIL INDUCTOR 0.6UH	0.6uH	1
AN11	4428594903	LA5268/LAB0640/2.5MM-03P	3P	1
AN1	4355465209	CON ASS'Y 6P SHIELD(3P)	6P	1
D101R D102R D103R D104R D106R D107R D108R D109R D110R D111R D112R	2058304100	DIODE IN4148M	1N4148	11
D113R D114R	2058100110	DIODE RL207 PYUNG CHANG	PS 2010	2
C105R C117R	3409210071-T	CAP AF RSG 10UF 50V 5 P	10/50	2
C118R C119R	3409247991-T	CAP AF RSG 4.7UF 100V 5 P	4.7/100	2
C113R C114R	3409222071-T	CAP AF RSG 22UF 50V 5 P	22/50	2
C115R	3409222141-T	CAP AF RSG 220UF 25V J 8 P	220/25	1
C102R	3409247971-T	CAP AF RSG 4.7UF 50V 5 P	4.7/50	1
C01R C02R C06R C303R C304R	3409247071-T	CAP AF RSG 47UF 50V 6 P	47/50	5
JK1	C4438097210	JACK PHONE(4P) JY-6313(J.T)	PHONE 4P	1
JK4	4438189310	XLR JACK(F) JY-5033A(J.T)	XLR 3P(F)	1
C108R C109R	3609472120-T	CAP MA 0.0047UF 100V J	0.0047(M)	2
C116R	3609104122-T	CAP MA 0.1UF 100V J SMALL	0.1(M)	1
IC10R	2118010232	IC NJM072D JRC	NJM 072D	1
IC2R	2118010432	IC NJM2068DD JRC	NJM 2068D	1
PO1	2438007993	POSISTOR PTFM04BE222Q2N34B0	27	1
R137R R138R R177R R178R R187R R188R	3059278674	RES CE RGC3 0.27 3W(NOBLE)	0.27 5W	6
R132R R133R	3009151973	RES CF 150 1/5W J N	150	2
R120R R123R	3089101275	RES NFR 100 1/4W J R PHILKO	100	2
R124R R127R	3009101973	RES CF 100 1/5W J N	100	2

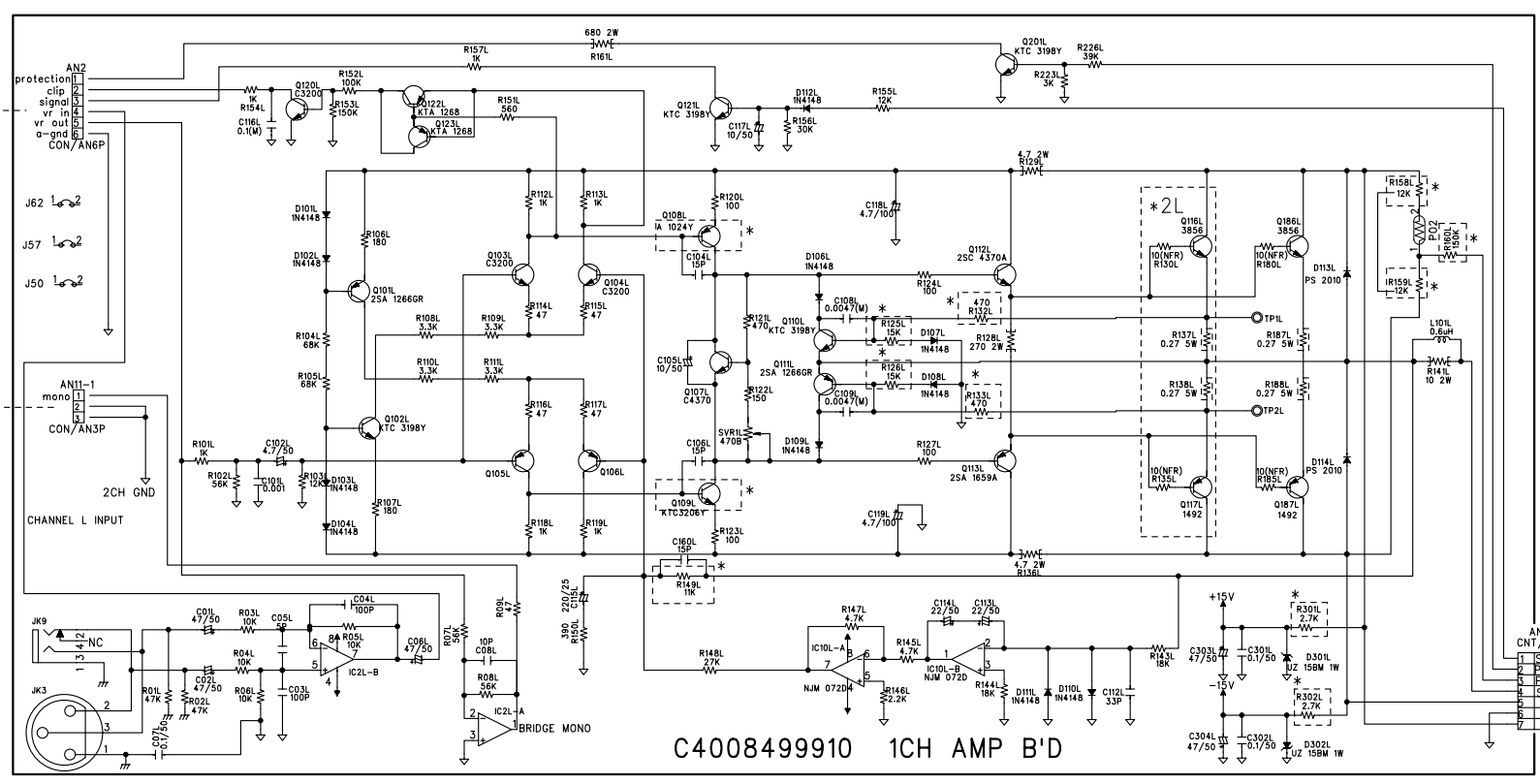
R152R	3009104973	RES CF 100K 1/5W J N	100K	1
R130R R135R R170R R175R R180R R185R	3089100275	RES NFR 10 1/4W J R PHILKO	10(NFR)	6
R141R	3039100575-T	RES MO 10 2W JR	10 2W	1
R103R R155R	3009123973	RES CF 12K 1/5W J N	12K	2
R122R	3009151973	RES CF 150 1/5W J N	150	1
R153R R160R	3009154973	RES CF 150K 1/5W J N	150K	2
R159R R158R	3009123973	RES CF 12K 1/5W J N	12K	2
R106R R107R	3009181973	RES CF 180 1/5W J N	180	2
R143R R144R	3009183973	RES CF 18K 1/5W J N	18K	2
R101R R112R R113R R118R R119R	3009102973	RES CF 1K 1/5W J N	1K	5
R146R	3009222973	RES CF 2.2K 1/5W J N	2.2K	1
R301R R302R	3059302774	RES CE 3K 5W JR	3K 5W	2
R128R	3039271575-T	RES MO 270 2W J RADIAL	270 2W	1
R10R	3009563973	RES CF 56K 1/5W J N	56K	1
R148R	3009273973	RES CF 27K 1/5W J N	27K	1
R108R R109R R110R R111R	3009332973	RES CF 3.3K 1/5W J N	3.3K	4
R150R	3009391973	RES CF 390 1/5W J N	390	1
R129R R136R	3039479575-T	RES MO 4.7 2W J RADIAL	4.7 2W	2
R03R R04R R05R R06R	3002100953	RES CF 10K 1/5W F N	10K	4
R145R R147R	3009472973	RES CF 4.7K 1/5W J N	4.7K	2
R121R	3009471973	RES CF 470 1/5W J N	470	1
R114R R115R R116R R117R	3009470973	RES CF 47 1/5W J N	47	4
R01R R02R	3009473973	RES CF 47K 1/5W J N	47K	2
R154R R157R	3009102973	RES CF 1K 1/5W J N	1K	2
R151R	3009561973	RES CF 560 1/5W J N	560	1
R102R	3009563973	RES CF 56K 1/5W J N	56K	1
R156R	3009303973	RES CF 30K 1/5W J N	30K	1
R104R R105R	3009683973	RES CF 68K 1/5W J N	68K	2
R125R R126R	3002100953	RES CF 10K 1/5W F N	10K	2
R149R	3009183973	RES CF 18K 1/5W J N	18K	1
SVR1R	3248347120-T	RES SEMI RH063MCS2R	470B	1
S3	4618001110	SW SV10020-0202-9T-SN	SLIDE SW	1
TP1				1
TP2			TP	1
Q112R	2028407990	KTC4370A-Y-U	2SC 4370A	1
Q116R Q176R Q186R	2028407122	TR NPN 2SC5200 TOSHIBA	5200	3
Q103R Q104R Q120R	2008606108-T	KTC3200-BL-AT	C3200	3
Q107R	2028407990	KTC4370A-Y-U	C4370	1
Q109R	2008405999	TR NPN 2SC4001 NEC	C4001	1
Q102R Q110R Q121R	2008606104-T	TR NPN KTC3198-Y-AT TO-92	KTC 3198Y	3
Q101R Q111R	2008606105-T	TR NPN KTA1266-Y-AT TO-92	2SA 1266GR	2
Q113R	2028107984	KTA1659A-Y-U	2SA 1659A	1
Q105R Q106R	2008206106-T	KTA2400-GR-AT	2400	2
Q117R Q177R Q187R	2028107118	TR PNP 2SA1943 TOSHIBA	1943	3
Q122R Q123R	2008206105-T	TR PNP KTA1268-GR-AT TO-92	KTA 1268	2
Q108R	2008005999	TR NPN 2SC4001 NEC	A1546	1
D301R D302R	2058502150	DIODE ZENER UZ-15BM(1N5245B)	UZ 15BM 1W	2

OUTPUT B'D (C4008499930)

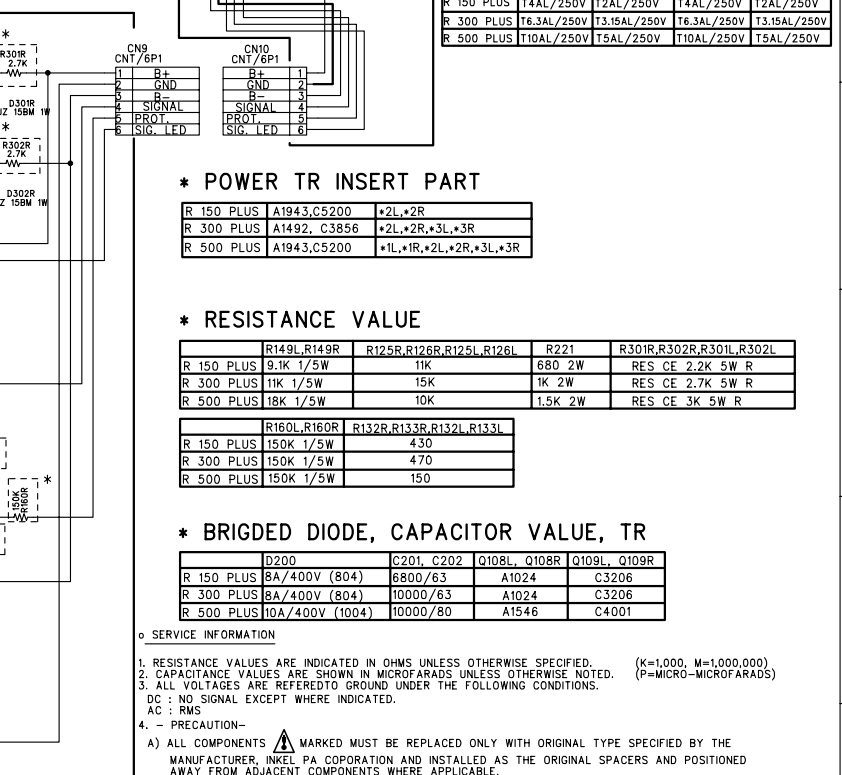
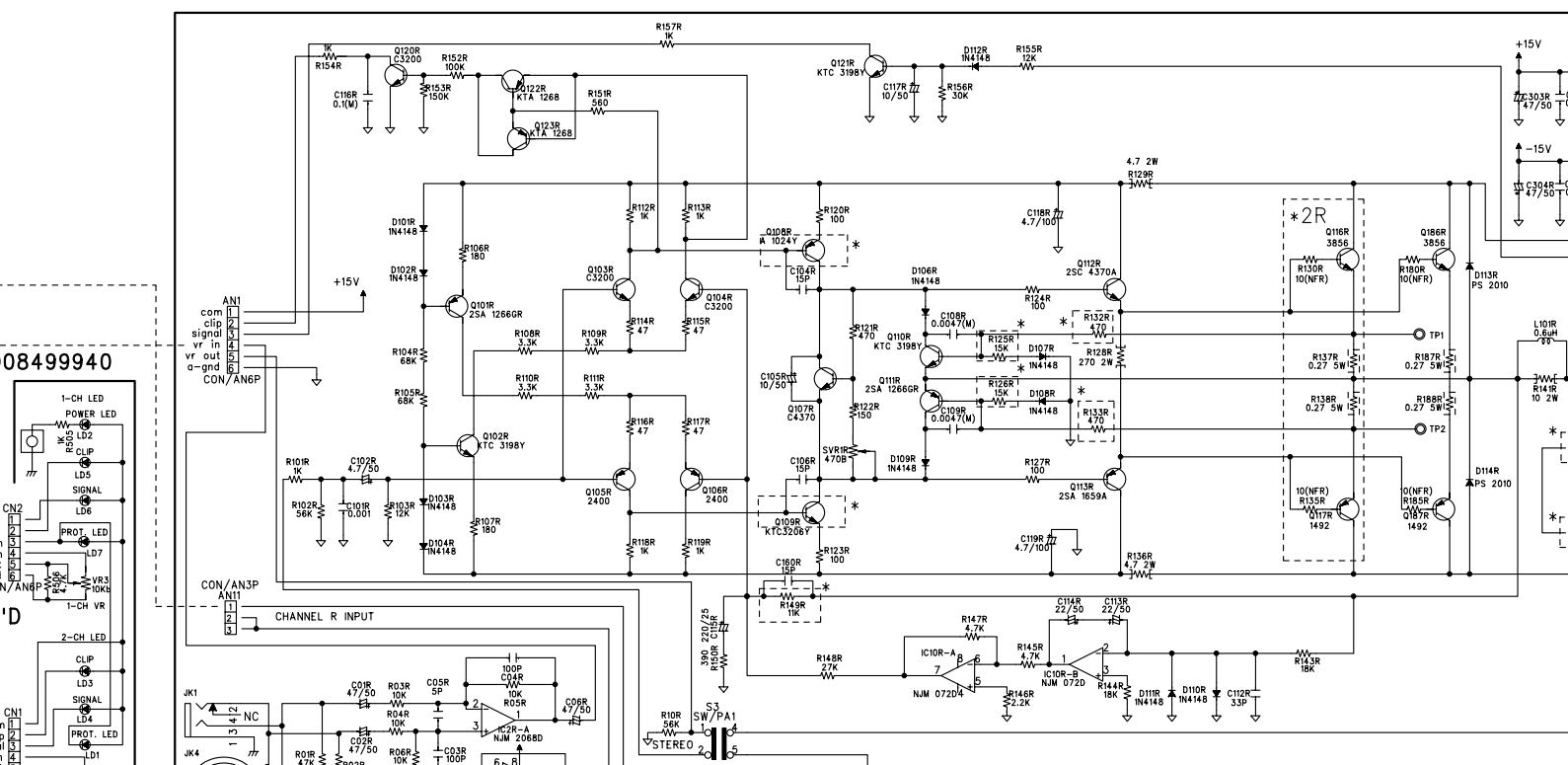
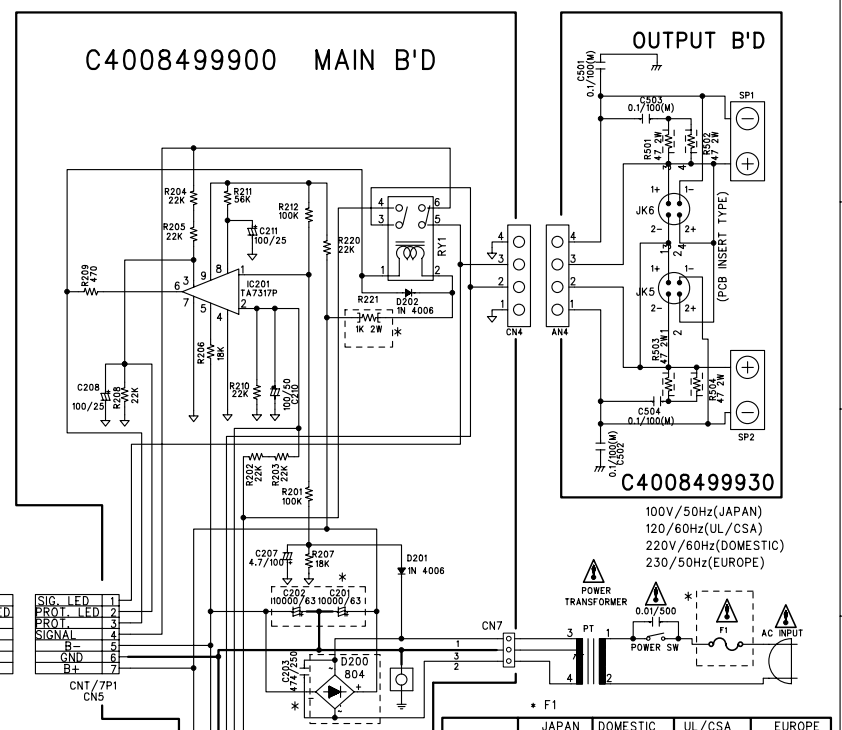
JK5-6	4438091710	JACK SPEAKON (PCB INSERT TYPE)	JACK SPEAKON	2
C501-504	3609104122-T	CAP MA 0.1UF 100V J SMALL	0.1/100(M)	4
R501-504	3039470575-T	RES MO 47 2W J RADIAL	47 2W	4
SP1	4438190410	BINDING POST(2P)	BINDING POST	1
SP2	4438190420	BINDING POST(2P)	BINDING POST	1
AN4	4355465007	CON ASS'Y 4P JST	WAFHW4P3.96	1

LED B'D (C4008499940)

CN1-2	4428595006	LW5267/LWB0640/2.5MM-06P	6P	2
GND2	6505958210	GND TERMINAL	GND PLATE	1
LD4	2300032105	LED LTL-1CHG-021A LITEON	LED GRE	1
LD1 LD3 LD5 LD7	2300030105	LED LTL-1CHE-021A LITEON	LED RED	4
LD6	2300032105	LED LTL-1CHG-021A LITEON	LED GRE	1
LD2	2300032105	LED LTL-1CHG-021A LITEON	LED GRN	1
R505	3009102973	RES CF 1K 1/5W J N	1K	1
R506-507	3009472973	RES CF 4.7K 1/5W J N	4.7K	2
VR3-4	3228070100	VR RK16311E0Z0113B	10Kb	2



R 150 PLUS



	JAPAN	DOMESTIC	UL/CSA	EUROPE
R 150 PLUS	T4AL/250V	T2AL/250V	T4AL/250V	T2AL/250V
R 300 PLUS	T6.3AL/250V	T3.15AL/250V	T6.3AL/250V	T3.15AL/250V
R 500 PLUS	T10AL/250V	T5AL/250V	T10AL/250V	T5AL/250V

*** POWER TR INSERT PART**

R 150 PLUS	A1943, C5200	*2L*2R
R 300 PLUS	A1492, C3856	*2L*2R*3L*3R
R 500 PLUS	A1943, C5200	*1L*1R*2L*2R*3L*3R

*** RESISTANCE VALUE**

	R149L, R149R	R125R, R126R, R125L, R126L	R221	R301R, R302R, R301L, R302L
R 150 PLUS	9.1K 1/5W	11K	680 2W	RES CE 2.2K 5W R
R 300 PLUS	11K 1/5W	15K	15K	RES CE 2.7K 5W R
R 500 PLUS	18K 1/5W	10K	1.5K 2W	RES CE 3K 5W R

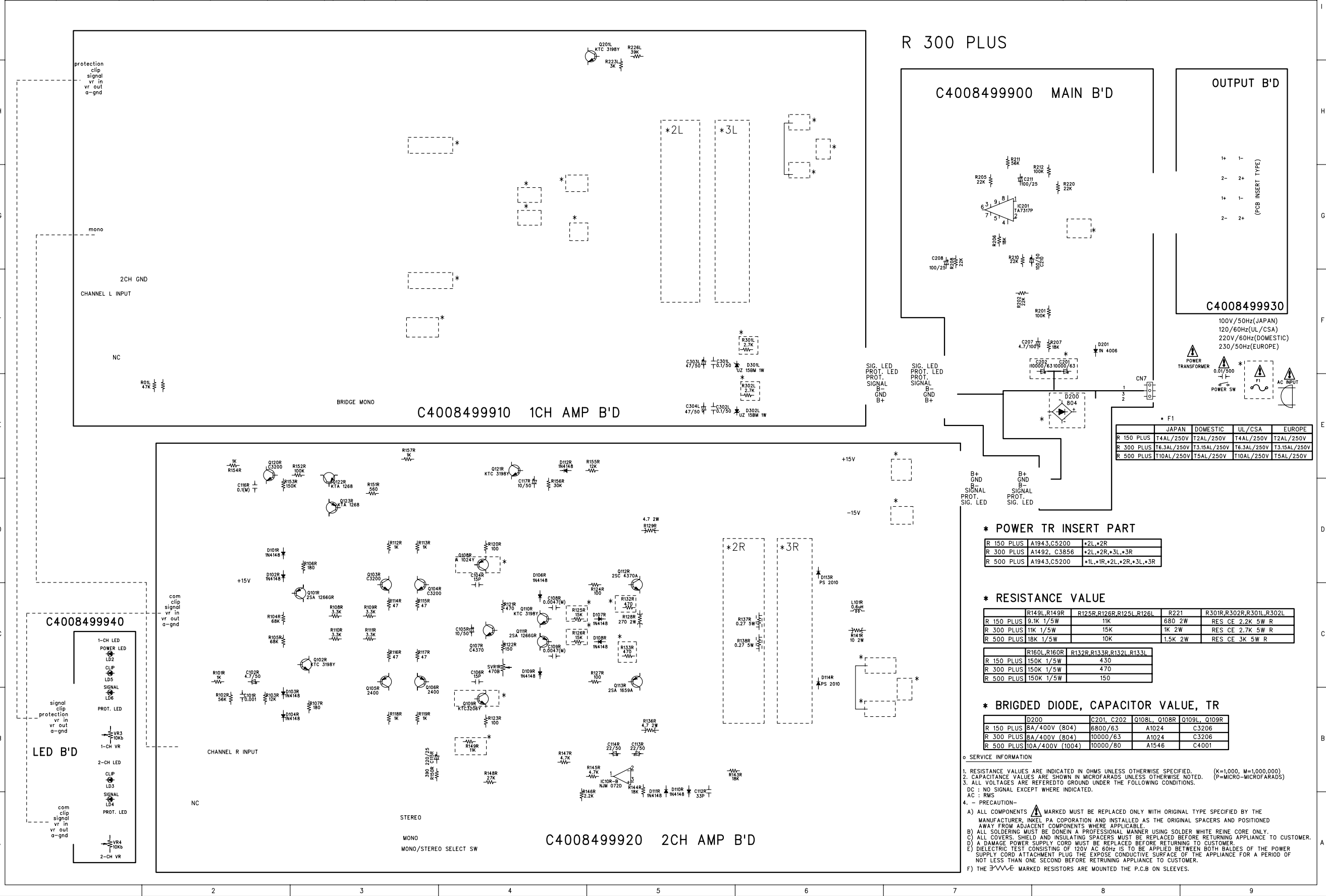
	R160L, R160R	R132R, R133R, R132L, R133L
R 150 PLUS	150K 1/5W	430
R 300 PLUS	150K 1/5W	470
R 500 PLUS	150K 1/5W	150

*** BRIGDED DIODE, CAPACITOR VALUE, TR**

	D200	C201, C202	Q108L, Q108R	Q109L, Q109R
R 150 PLUS	8A/400V (804)	6800/63	A1024	C3206
R 300 PLUS	8A/400V (804)	10000/63	A1024	C3206
R 500 PLUS	10A/400V (1004)	10000/80	A1546	C4001

SERVICE INFORMATION

- RESISTANCE VALUES ARE INDICATED IN OHMS UNLESS OTHERWISE SPECIFIED. (K=1,000, M=1,000,000)
- CAPACITANCE VALUES ARE SHOWN IN MICROFARADS UNLESS OTHERWISE NOTED. (P=MICRO-MICROFARADS)
- ALL VOLTAGES ARE REFERRED TO GROUND UNDER THE FOLLOWING CONDITIONS.
 - DC : NO SIGNAL EXCEPT WHERE INDICATED.
 - AC : RMS
- PRECAUTION-
 - A) ALL COMPONENTS MARKED MUST BE REPLACED ONLY WITH ORIGINAL TYPE SPECIFIED BY THE MANUFACTURER, INLET PA COPORATION AND INSTALLED AS THE ORIGINAL SPACERS AND POSITIONED AWAY FROM ADJACENT COMPONENTS WHERE APPLICABLE.
 - B) ALL SOLDERING MUST BE DONE IN A PROFESSIONAL MANNER USING SOLDER WHITE REINE CORE ONLY.
 - C) ALL COVERS, SHIELD AND INSULATING SPACERS MUST BE REPLACED BEFORE RETURNING APPLIANCE TO CUSTOMER.
 - D) A DAMAGE POWER SUPPLY CORD MUST BE REPLACED BEFORE RETURNING TO CUSTOMER.
 - E) DIELECTRIC TEST CONSISTING OF 120V AC 60Hz IS TO BE APPLIED BETWEEN BOTH BALDES OF THE POWER SUPPLY CORD ATTACHMENT PLUG THE EXPOSE CONDUCTIVE SURFACE OF THE APPLIANCE FOR A PERIOD OF NOT LESS THAN ONE SECOND BEFORE RETURNING APPLIANCE TO CUSTOMER.
 - F) THE WAVE MARKED RESISTORS ARE MOUNTED THE P.C.B ON SLEEVES.



* F1

	JAPAN	DOMESTIC	UL/CSA	EUROPE
R 150 PLUS	T4AL/250V	T2AL/250V	T4AL/250V	T2AL/250V
R 300 PLUS	T6.3AL/250V	T3.15AL/250V	T6.3AL/250V	T3.15AL/250V
R 500 PLUS	T10AL/250V	T5AL/250V	T10AL/250V	T5AL/250V

* POWER TR INSERT PART

R 150 PLUS	A1943,C5200	*2L,*2R
R 300 PLUS	A1492, C3856	*2L,*2R,*3L,*3R
R 500 PLUS	A1943,C5200	*1L,*1R,*2L,*2R,*3L,*3R

* RESISTANCE VALUE

	R149L,R149R	R125R,R126R,R125L,R126L	R221	R301R,R302R,R301L,R302L
R 150 PLUS	9.1K 1/5W	11K	680 2W	RES CE 2.2K 5W R
R 300 PLUS	11K 1/5W	15K	1K 2W	RES CE 2.7K 5W R
R 500 PLUS	18K 1/5W	10K	1.5K 2W	RES CE 3K 5W R

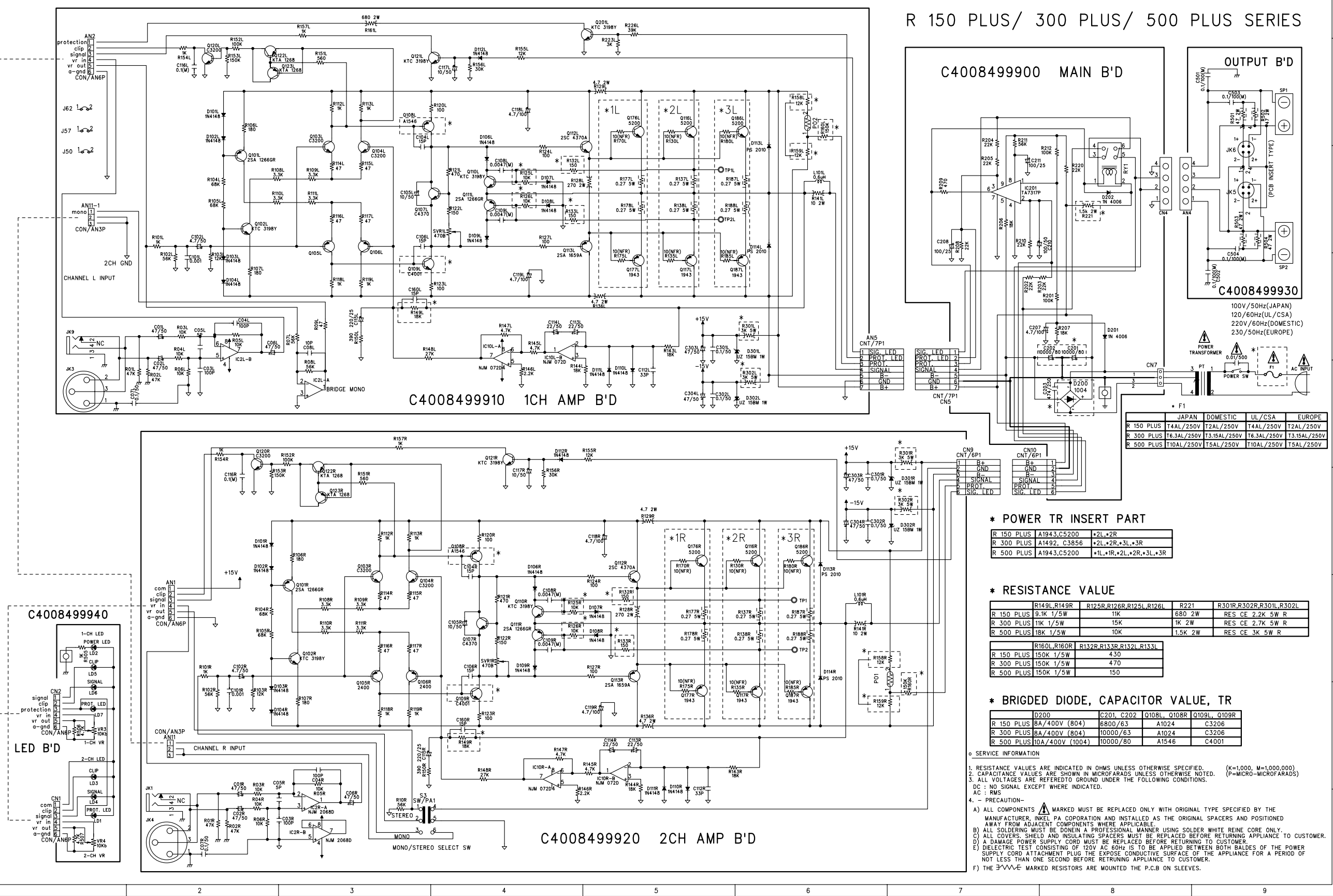
	R160L,R160R	R132R,R133R,R132L,R133L
R 150 PLUS	150K 1/5W	430
R 300 PLUS	150K 1/5W	470
R 500 PLUS	150K 1/5W	150

* BRIGDED DIODE, CAPACITOR VALUE, TR

	D200	C201, C202	Q108L, Q108R	Q109L, Q109R
R 150 PLUS	8A/400V (804)	6800/63	A1024	C3206
R 300 PLUS	8A/400V (804)	10000/63	A1024	C3206
R 500 PLUS	10A/400V (1004)	10000/80	A1546	C4001

- o SERVICE INFORMATION
1. RESISTANCE VALUES ARE INDICATED IN OHMS UNLESS OTHERWISE SPECIFIED. (K=1,000, M=1,000,000)
 2. CAPACITANCE VALUES ARE SHOWN IN MICROFARADS UNLESS OTHERWISE NOTED. (P=MICRO-MICROFARADS)
 3. ALL VOLTAGES ARE REFERRED TO GROUND UNDER THE FOLLOWING CONDITIONS.
DC : NO SIGNAL EXCEPT WHERE INDICATED.
AC : RMS
 4. - PRECAUTION-
 - A) ALL COMPONENTS MARKED MUST BE REPLACED ONLY WITH ORIGINAL TYPE SPECIFIED BY THE MANUFACTURER, INTEL PA COPORATION AND INSTALLED AS THE ORIGINAL SPACERS AND POSITIONED AWAY FROM ADJACENT COMPONENTS WHERE APPLICABLE.
 - B) ALL SOLDERING MUST BE DONE IN A PROFESSIONAL MANNER USING SOLDER WHITE REINE CORE ONLY.
 - C) ALL COVERS, SHIELD AND INSULATING SPACERS MUST BE REPLACED BEFORE RETURNING APPLIANCE TO CUSTOMER.
 - D) A DAMAGE POWER SUPPLY CORD MUST BE REPLACED BEFORE RETURNING TO CUSTOMER.
 - E) DIELECTRIC TEST CONSISTING OF 120V AC 60Hz IS TO BE APPLIED BETWEEN BOTH BALDES OF THE POWER SUPPLY CORD ATTACHMENT PLUG THE EXPOSE CONDUCTIVE SURFACE OF THE APPLIANCE FOR A PERIOD OF NOT LESS THAN ONE SECOND BEFORE RETRUNING APPLIANCE TO CUSTOMER.
 - F) THE WAVE MARKED RESISTORS ARE MOUNTED THE P.C.B ON SLEEVES.

R 150 PLUS/ 300 PLUS/ 500 PLUS SERIES



	JAPAN	DOMESTIC	UL/CSA	EUROPE
R 150 PLUS	T4AL/250V	T2AL/250V	T4AL/250V	T2AL/250V
R 300 PLUS	T6.3AL/250V	T3.15AL/250V	T6.3AL/250V	T3.15AL/250V
R 500 PLUS	T10AL/250V	T5AL/250V	T10AL/250V	T5AL/250V

*** POWER TR INSERT PART**

R 150 PLUS	A1943, C5200	*2L*2R
R 300 PLUS	A1492, C3856	*2L*2R*3L*3R
R 500 PLUS	A1943, C5200	*1L*1R*2L*2R*3L*3R

*** RESISTANCE VALUE**

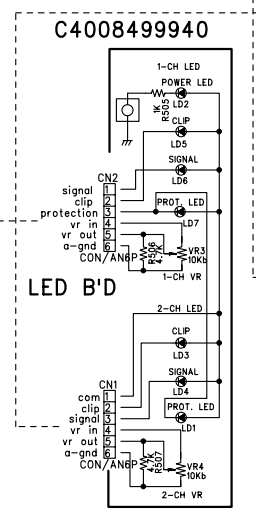
	R149L, R149R	R125R, R126R, R125L, R126L	R221	R301R, R302R, R301L, R302L
R 150 PLUS	9.1K 1/5W	11K	680 2W	RES CE 2.2K 5W R
R 300 PLUS	11K 1/5W	15K	15K	RES CE 2.2K 5W R
R 500 PLUS	18K 1/5W	10K	1.5K 2W	RES CE 3K 5W R

	R160L, R160R	R132R, R133R, R132L, R133L
R 150 PLUS	150K 1/5W	430
R 300 PLUS	150K 1/5W	470
R 500 PLUS	150K 1/5W	150

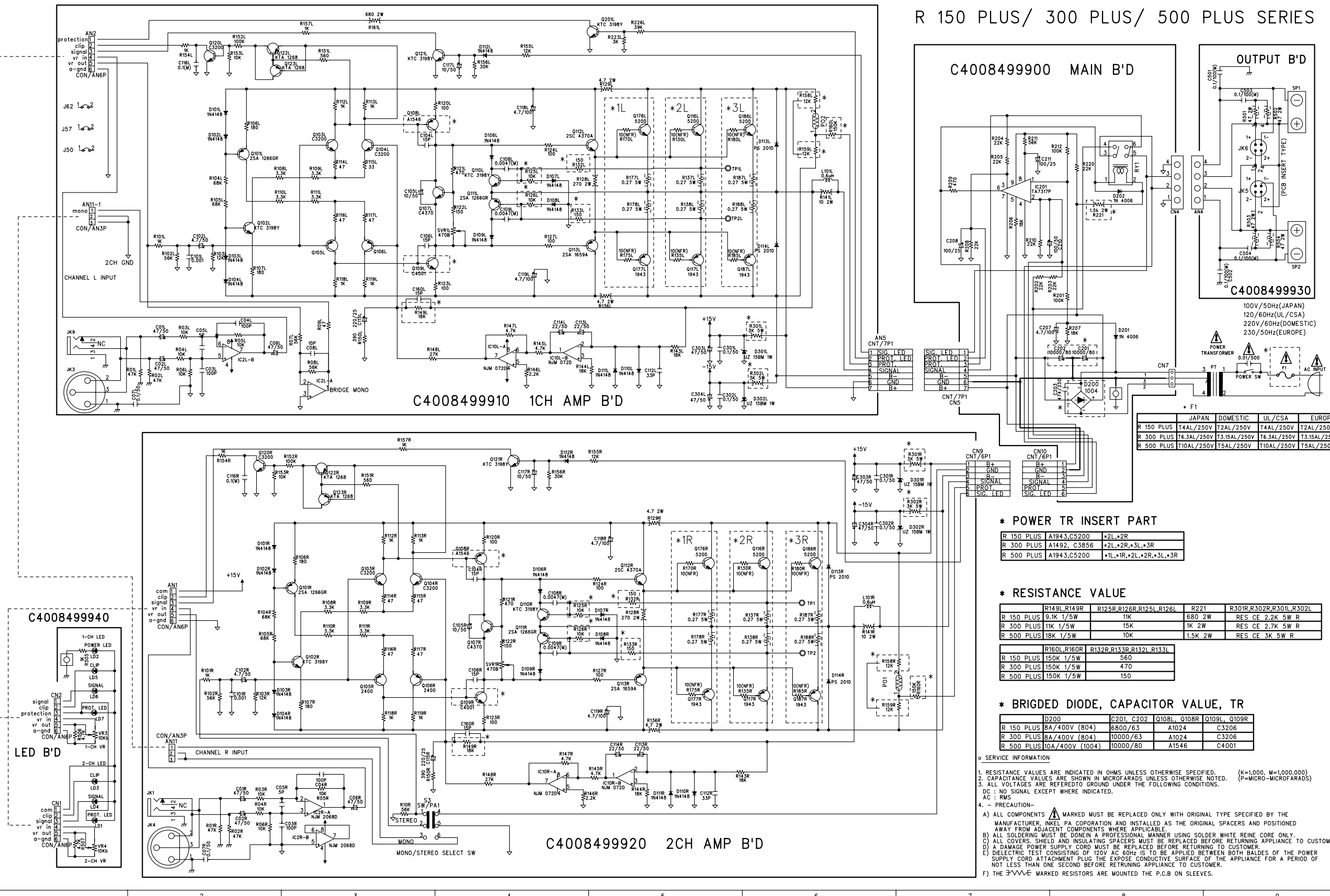
*** BRIGDED DIODE, CAPACITOR VALUE, TR**

	D200	C201, C202	Q108L, Q108R	Q109L, Q109R
R 150 PLUS	8A/400V (804)	6800/63	A1024	C3206
R 300 PLUS	8A/400V (804)	10000/63	A1024	C3206
R 500 PLUS	10A/400V (1004)	10000/80	A1546	C4001

- SERVICE INFORMATION**
- RESISTANCE VALUES ARE INDICATED IN OHMS UNLESS OTHERWISE SPECIFIED. (K=1,000, M=1,000,000)
 - CAPACITANCE VALUES ARE SHOWN IN MICROFARADS UNLESS OTHERWISE NOTED. (P=MICRO-MICROFARADS)
 - ALL VOLTAGES ARE REFERRED TO GROUND UNDER THE FOLLOWING CONDITIONS.
 - DC : NO SIGNAL EXCEPT WHERE INDICATED.
 - AC : RMS
 - PRECAUTION-
 - A) ALL COMPONENTS MARKED MUST BE REPLACED ONLY WITH ORIGINAL TYPE SPECIFIED BY THE MANUFACTURER, INKEL PA COPORATION AND INSTALLED AS THE ORIGINAL SPACERS AND POSITIONED AWAY FROM ADJACENT COMPONENTS WHERE APPLICABLE.
 - B) ALL SOLDERING MUST BE DONE IN A PROFESSIONAL MANNER USING SOLDER WHITE REINE CORE ONLY.
 - C) ALL COVERS, SHIELD AND INSULATING SPACERS MUST BE REPLACED BEFORE RETURNING APPLIANCE TO CUSTOMER.
 - D) A DAMAGE POWER SUPPLY CORD MUST BE REPLACED BEFORE RETURNING TO CUSTOMER.
 - E) DIELECTRIC TEST CONSISTING OF 120V AC 60Hz IS TO BE APPLIED BETWEEN BOTH BALDES OF THE POWER SUPPLY CORD ATTACHMENT PLUG THE EXPOSE CONDUCTIVE SURFACE OF THE APPLIANCE FOR A PERIOD OF NOT LESS THAN ONE SECOND BEFORE RETURNING APPLIANCE TO CUSTOMER.
 - F) THE WAVE MARKED RESISTORS ARE MOUNTED THE P.C.B ON SLEEVES.



R 150 PLUS/ 300 PLUS/ 500 PLUS SERIES



	JAPAN	DOMESTIC	UL/CSA	EUROPE
R 150 PLUS	T4AL/250V	T2AL/250V	T4AL/250V	T2AL/250V
R 300 PLUS	T6.3AL/250V	T3.15AL/250V	T6.3AL/250V	T3.15AL/250V
R 500 PLUS	T10AL/250V	T5AL/250V	T10AL/250V	T5AL/250V

*** POWER TR INSERT PART**

R 150 PLUS	A1943, C5200	*2L*2R
R 300 PLUS	A1492, C3856	*2L*2R*3L*3R
R 500 PLUS	A1943, C5200	*1L*1R*2L*2R*3L*3R

*** RESISTANCE VALUE**

	R149L, R149R	R125R, R126R, R125L, R126L	R221	R301R, R302R, R301L, R302L
R 150 PLUS	9.1K 1/5W	11K	680 2W	RES CE 2.2K 5W R
R 300 PLUS	11K 1/5W	15K	15K	RES CE 2.2K 5W R
R 500 PLUS	18K 1/5W	10K	1.5K 2W	RES CE 3K 5W R

	R160L, R160R	R132R, R133R, R132L, R133L
R 150 PLUS	150K 1/5W	560
R 300 PLUS	150K 1/5W	470
R 500 PLUS	150K 1/5W	150

*** BRIGDED DIODE, CAPACITOR VALUE, TR**

	D200	C201, C202	Q108L, Q108R	Q109L, Q109R
R 150 PLUS	8A/400V (804)	6800/63	A1024	C3206
R 300 PLUS	8A/400V (804)	10000/63	A1024	C3206
R 500 PLUS	10A/400V (1004)	10000/80	A1546	C4001

SERVICE INFORMATION

1. RESISTANCE VALUES ARE INDICATED IN OHMS UNLESS OTHERWISE SPECIFIED. (K=1,000, M=1,000,000)
2. CAPACITANCE VALUES ARE SHOWN IN MICROFARADS UNLESS OTHERWISE NOTED. (P=MICRO-MICROFARADS)
3. ALL VOLTAGES ARE REFERRED TO GROUND UNDER THE FOLLOWING CONDITIONS.
4. PRECAUTION-
 - A) ALL COMPONENTS MARKED MUST BE REPLACED ONLY WITH ORIGINAL TYPE SPECIFIED BY THE MANUFACTURER, INLET PA COPORATION AND INSTALLED AS THE ORIGINAL SPACERS AND POSITIONED AWAY FROM ADJACENT COMPONENTS WHERE APPLICABLE.
 - B) ALL SOLDERING MUST BE DONE IN A PROFESSIONAL MANNER USING SOLDER WHITE REINE CORE ONLY.
 - C) ALL COVERS, SHIELD AND INSULATING SPACERS MUST BE REPLACED BEFORE RETURNING APPLIANCE TO CUSTOMER.
 - D) A DAMAGE POWER SUPPLY CORD MUST BE REPLACED BEFORE RETURNING TO CUSTOMER.
 - E) DIELECTRIC TEST CONSISTING OF 120V AC 60Hz IS TO BE APPLIED BETWEEN BOTH BALDES OF THE POWER SUPPLY CORD ATTACHMENT PLUG THE EXPOSE CONDUCTIVE SURFACE OF THE APPLIANCE FOR A PERIOD OF NOT LESS THAN ONE SECOND BEFORE RETURNING APPLIANCE TO CUSTOMER.
 - F) THE WAVE MARKED RESISTORS ARE MOUNTED THE P.C.B ON SLEEVES.

