

SERVICE

MANUAL

R E F E R E N C E

AMPLIFIER

R-150PLUS/300PLUS/500PLUS

interM

ELECTRICAL PARTS LIST (R - 150 PLUS)

| Ref No. | Part No. | Description | Value | Qty |
|---------|----------|-------------|-------|-----|
|---------|----------|-------------|-------|-----|

MAIN B'D (C4008499900)

| | | | | |
|----------|--------------|--------------------------------|-------------|---|
| D200 | 2058100988 | DIODE BRIDGE PBU 804 | 804 | 1 |
| C203 | 3639474255 | CAP TL 474K 250V K | 474/250 | 1 |
| CN10 | 4355923806 | CONNECTOR WAFER 06P(J.ST) | 6P | 1 |
| CN5 | 4355923807 | CON WAFER 07P JST (3.96) | 7P | 1 |
| CN7 | 4355923803 | CONNECTOR WAFER 03P(J.ST) | 3P | 1 |
| D201-202 | 2058100996 | DIODE RECTIFIER LT1N4006(4007) | 1N 4006 | 2 |
| C208 | 3409210141-T | CAP AF RSG 100UF 25V 6 P | 100/25 | 1 |
| C207 | 3409247991-T | CAP AF RSG 4.7UF 100V 5 P | 4.7/100 | 1 |
| C211 | 3409210141-T | CAP AF RSG 100UF 25V 6 P | 100/25 | 1 |
| C210 | 3409210171-T | CAP AF RSG 100UF 50V 8 P | 100/50 | 1 |
| C201-202 | 3419568281 | CAP AF 6800UF 63V 30P JAMICON | 6800/63 | 2 |
| GND1 | 6505958210 | GND TERMINAL | GND PLATE | 1 |
| R201 | 3009104973 | RES CF 100K 1/5W J N | 100K | 1 |
| R202-205 | 3009223973 | RES CF 22K 1/5W J N | 22K | 4 |
| R206-207 | 3009183973 | RES CF 18K 1/5W J N | 18K | 2 |
| R221 | 3039681572-F | RES MO 680 2W J N | 680k 2W | 1 |
| R220 | 3009223973 | RES CF 22K 1/5W J N | 22K | 1 |
| R208 | 3009223973 | RES CF 22K 1/5W J N | 22K | 1 |
| R209 | 3009471973 | RES CF 470 1/5W J N | 470 | 1 |
| R212 | 3009104973 | RES CF 100K 1/5W J N | 100K | 1 |
| R210 | 3009223973 | RES CF 22K 1/5W J N | 22K | 1 |
| R211 | 3009563973 | RES CF 56K 1/5W J N | 56K | 1 |
| RY1 | 5528009950 | RELAY HR-CR3A23 DC 24VH | RLY DC24V | 1 |
| IC201 | 2118050410 | IC TA7317P TOSHIBA | TA7317P | 1 |
| CN4 | 4355923804 | CONNECTOR WAFER 04P (J.ST) | WAFHW4P3.96 | 1 |

1CH AMP B'D (C4008499910)

| | | | | |
|--|--------------|------------------------------|---------|----|
| C101L | 3509102231-A | CAP CE YB 1000PF 50V K AXIAL | 0.001 | 1 |
| C07L C301L C302L | 3509104530-T | CAP CE F 0.1UF 50V Z | 0.1/50 | 3 |
| C03L C04L | 3509101231-A | CAP CE B 100PF 50V K AXIAL | 100P | 2 |
| C104L C106L C160L | 3529150311-A | CAP CE SL 15PF 50V J AXIAL | 15P | 3 |
| C08L | 3529100311-A | CAP CE SL 10PF 50V J AXIAL | 10P | 1 |
| C112L | 3529330311-A | CAP CE SL 33PF 50V J AXIAL | 33P | 1 |
| C05L | 3529050311-A | CAP CE SL 5P 50V C AXIAL | 5P | 1 |
| AN5 | 4355464911 | CON ASS'Y 7P JST | 7P | 1 |
| L101L | 2648099920 | COIL INDUCTOR 0.6UH | 0.6uH | 1 |
| AN11-1 | 4355465109 | CON ASS'Y 3P SHIELD | 3P | 1 |
| AN2 | 4355465202 | CON ASS'Y 6P SHIELD(3P) | 6P | 1 |
| D101L D102L D103L D104L D106L D107L D108L D109L D110L D111L D112L | 2058304100 | DIODE IN4148M | 1N4148 | 11 |
| D113L D114L | 2058100110 | DIODE RL207 PYUNG CHANG | PS 2010 | 2 |
| C105L C117L | 3409210071-T | CAP AF RSG 10UF 50V 5 P | 10/50 | 2 |
| C118L C119L | 3409247991-T | CAP AF RSG 4.7UF 100V 5 P | 4.7/100 | 2 |
| C113L C114L | 3409222071-T | CAP AF RSG 22UF 50V 5 P | 22/50 | 2 |
| C115L | 3409222141-T | CAP AF RSG 220UF 25V J 8 P | 220/25 | 1 |
| C102L | 3409247971-T | CAP AF RSG 4.7UF 50V 5 P | 4.7/50 | 1 |

| | | | | |
|----------------------------------|--------------|-----------------------------|-----------|---|
| C01L C02L C06L C303L C304L | 3409247071-T | CAP AF RSG 47UF 50V 6 P | 47/50 | 5 |
| JK9 | C4438097210 | JACK PHONE(4P) JY-6313(J.T) | PHONE 4P | 1 |
| JK3 | 4438189310 | XLR JACK(F) JY-5033A(J.T) | XLR 3P(F) | 1 |
| C108L C109L | 3609472120-T | CAP MA 0.0047UF 100V J | 0.0047(M) | 2 |
| C116L | 3609104122-T | CAP MA 0.1UF 100V J SMALL | 0.1(M) | 1 |
| IC10L | 2118010232 | IC NJM072D JRC | NJM 072D | 1 |
| IC2L | 2118010432 | IC NJM2068DD JRC | NJM 2068D | 1 |
| PO2 | 2438007993 | POSISTOR PTFM04BE222Q2N34B0 | 27 | 1 |
| R137L R138L | 3059278674 | RES CE RGC3 0.27 3W(NOBLE) | 0.27 5W | 2 |
| R132L R133L | 3009431973 | RES CF 430 1/5W J N | 430 | 2 |
| R120L R123L | 3089101275 | RES NFR 100 1/4W J R PHILKO | 100 | 2 |
| R124L R127L | 3009101973 | RES CF 100 1/5W J N | 100 | 2 |
| R152L | 3009104973 | RES CF 100K 1/5W J N | 100K | 1 |
| R130L R135L | 3089100275 | RES NFR 10 1/4W J R PHILKO | 10(NFR) | 2 |
| R141L | 3039100575-T | RES MO 10 2W JR | 10 2W | 1 |
| R103L R155L | 3009123973 | RES CF 12K 1/5W J N | 12K | 2 |
| R122L | 3009151973 | RES CF 150 1/5W J N | 150 | 1 |
| R153L R160L | 3009154973 | RES CF 150K 1/5W J N | 150K | 2 |
| R159L R158L | 3009123973 | RES CF 12K 1/5W J N | 12K | 2 |
| R106L R107L | 3009181973 | RES CF 180 1/5W J N | 180 | 2 |
| R143L R144L | 3009183973 | RES CF 18K 1/5W J N | 18K | 2 |
| R101L R112L R113L R118L R119L | 3009102973 | RES CF 1K 1/5W J N | 1K | 5 |
| R146L | 3009222973 | RES CF 2.2K 1/5W J N | 2.2K | 1 |
| R301L R302L | 3059222774 | RES CE 2.2K 5W | 2.2K 5W | 2 |
| R128L | 3039271575-T | RES MO 270 2W J RADIAL | 270 2W | 1 |
| R07L R08L | 3009563973 | RES CF 56K 1/5W J N | 56K | 2 |
| R09L | 3009470973 | RES CF 47 1/5W J N | 47 | 1 |
| R148L | 3009273973 | RES CF 27K 1/5W J N | 27K | 1 |
| R108L R109L R110L R111L | 3009332973 | RES CF 3.3K 1/5W J N | 3.3K | 4 |
| R150L | 3009391973 | RES CF 390 1/5W J N | 390 | 1 |
| R226L | 3009393973 | RES CF 39K 1/5W J N | 39K | 1 |
| R223L | 3009302973 | RES CF 3K 1/5W J N | 3K | 1 |
| R129L R136L | 3039479575-T | RES MO 4.7 2W J RADIAL | 4.7 2W | 2 |
| R03L R04L R05L R06L | 3002100953 | RES CF 10K 1/5W F N | 10K | 4 |
| R145L R147L | 3009472973 | RES CF 4.7K 1/5W J N | 4.7K | 2 |
| R121L | 3009471973 | RES CF 470 1/5W J N | 470 | 1 |
| R114L R115L R116L R117L | 3009470973 | RES CF 47 1/5W J N | 47 | 4 |
| R01L R02L | 3009473973 | RES CF 47K 1/5W J N | 47K | 2 |
| R154L R157L | 3009102973 | RES CF 1K 1/5W J N | 1K | 2 |
| R151L | 3009561973 | RES CF 560 1/5W J N | 560 | 1 |
| R102L | 3009563973 | RES CF 56K 1/5W J N | 56K | 1 |
| R156L | 3009303973 | RES CF 30K 1/5W J N | 30K | 1 |
| R161L | 3039681575-T | RES MO 680 2W J RASIAL | 680 2W | 1 |
| R104L R105L | 3009683973 | RES CF 68K 1/5W J N | 68K | 2 |
| R125L R126L | 3009113973 | RES CF 11K 1/5W J N | 11K | 2 |
| R149L | 3009912973 | RES CF 9.1K 1/5W JN | 9.1K | 1 |
| SVR1L | 3248347120-T | RES SEMI RH063MCS2R | 470B | 1 |
| TP1L | | | | 1 |
| TP2L | | | TP | 1 |

| | | | | |
|----------------------------|--------------|------------------------------|---------------|---|
| Q112L | 2028407990 | KTC4370A-Y-U | 2SC 4370A | 1 |
| Q116L | 2028407122 | TR NPN 2SC5200 TOSHIBA | 5200 | 1 |
| Q103L Q104L Q120L | 2008606108-T | KTC3200-BL-AT | C3200 | 3 |
| Q107L | 2028407990 | KTC4370A-Y-U | C4370 | 1 |
| Q109L | 2008606107-T | KTC3206-Y-AT | C3206 | 1 |
| Q102L Q110L Q121L Q201L | 2008606104-T | TR NPN KTC3198-Y-AT TO-92 | KTC 3198Y | 4 |
| Q101L Q111L | 2008606105-T | TR NPN KTA1266-Y-AT TO-92 | 2SA 1266GR | 2 |
| Q113L | 2028107984 | KTA1659A-Y-U | 2SA 1659A | 1 |
| Q105L Q106L | 2008206106-T | KTA2400-GR-AT | KTA2400-GR-AT | 2 |
| Q117L | 2028107118 | TR PNP 2SA1943 TOSHIBA | 1943 | 1 |
| Q122L Q123L | 2008206105-T | TR PNP KTA1268-GR-AT TO-92 | KTA 1268 | 2 |
| Q108L | 2008206997-T | KTA1024-Y-AT | A1024 | 1 |
| D301L D302L | 2058502150 | DIODE ZENER UZ-15BM(1N5245B) | UZ 15BM 1W | 2 |

2CH AMP B'D (C4008499920)

| | | | | |
|--|--------------|------------------------------|-----------|----|
| C101R | 3509102231-A | CAP CE YB 1000PF 50V K AXIAL | 0.001 | 1 |
| C07R C301R C302R | 3509104530-T | CAP CE F 0.1UF 50V Z | 0.1/50 | 3 |
| C03R C04R | 3509101231-A | CAP CE B 100PF 50V K AXIAL | 100P | 2 |
| C104R C106R C160R | 3529150311-A | CAP CE SL 15PF 50V J AXIAL | 15P | 3 |
| C112R | 3529330311-A | CAP CE SL 33PF 50V J AXIAL | 33P | 1 |
| C05R | 3529050311-A | CAP CE SL 5P 50V C AXIAL | 5P | 1 |
| CN9 | 4355464811 | CON ASS'Y 6P JST | 6P | 1 |
| L101R | 2648099920 | COIL INDUCTOR 0.6UH | 0.6uH | 1 |
| AN11 | 4428594903 | LA5268/LAB0640/2.5MM-03P | 3P | 1 |
| AN1 | 4355465209 | CON ASS'Y 6P SHIELD(3P) | 6P | 1 |
| D101R D102R D103R D104R D106R D107R D108R D109R D110R D111R D112R | 2058304100 | DIODE IN4148M | 1N4148 | 11 |
| D113R D114R | 2058100110 | DIODE RL207 PYUNG CHANG | PS 2010 | 2 |
| C105R C117R | 3409210071-T | CAP AF RSG 10UF 50V 5 P | 10/50 | 2 |
| C118R C119R | 3409247991-T | CAP AF RSG 4.7UF 100V 5 P | 4.7/100 | 2 |
| C113R C114R | 3409222071-T | CAP AF RSG 22UF 50V 5 P | 22/50 | 2 |
| C115R | 3409222141-T | CAP AF RSG 220UF 25V J 8 P | 220/25 | 1 |
| C102R | 3409247971-T | CAP AF RSG 4.7UF 50V 5 P | 4.7/50 | 1 |
| C01R C02R C06R C303R C304R | 3409247071-T | CAP AF RSG 47UF 50V 6 P | 47/50 | 5 |
| JK1 | C4438097210 | JACK PHONE(4P) JY-6313(J.T) | PHONE 4P | 1 |
| JK4 | 4438189310 | XLR JACK(F) JY-5033A(J.T) | XLR 3P(F) | 1 |
| C108R C109R | 3609472120-T | CAP MA 0.0047UF 100V J | 0.0047(M) | 2 |
| C116R | 3609104122-T | CAP MA 0.1UF 100V J SMALL | 0.1(M) | 1 |
| IC10R | 2118010232 | IC NJM072D JRC | NJM 072D | 1 |
| IC2R | 2118010432 | IC NJM2068DD JRC | NJM 2068D | 1 |
| PO1 | 2438007993 | POSISTOR PTFM04BE222Q2N34B0 | 27 | 1 |
| R137R R138R | 3059278674 | RES CE RGC3 0.27 3W(NOBLE) | 0.27 5W | 2 |
| R132R R133R | 3009431973 | RES CF 430 1/5W J N | 430 | 2 |
| R120R R123R | 3089101275 | RES NFR 100 1/4W J R PHILKO | 100 | 2 |
| R124R R127R | 3009101973 | RES CF 100 1/5W J N | 100 | 2 |
| R152R | 3009104973 | RES CF 100K 1/5W J N | 100K | 1 |
| R130R R135R | 3089100275 | RES NFR 10 1/4W J R PHILKO | 10(NFR) | 2 |
| R141R | 3039100575-T | RES MO 10 2W JR | 10 2W | 1 |
| R103R R155R | 3009123973 | RES CF 12K 1/5W J N | 12K | 2 |

| | | | | |
|----------------------------------|--------------|------------------------------|------------|---|
| R122R | 3009151973 | RES CF 150 1/5W J N | 150 | 1 |
| R153R R160R | 3009154973 | RES CF 150K 1/5W J N | 150K | 2 |
| R159R R158R | 3009123973 | RES CF 12K 1/5W J N | 12K | 2 |
| R106R R107R | 3009181973 | RES CF 180 1/5W J N | 180 | 2 |
| R143R R144R | 3009183973 | RES CF 18K 1/5W J N | 18K | 2 |
| R101R R112R R113R R118R R119R | 3009102973 | RES CF 1K 1/5W J N | 1K | 5 |
| R146R | 3009222973 | RES CF 2.2K 1/5W J N | 2.2K | 1 |
| R301R R302R | 3059222774 | RES CE 2.2K 5W | 2.2K 5W | 2 |
| R128R | 3039271575-T | RES MO 270 2W J RADIAL | 270 2W | 1 |
| R10R | 3009563973 | RES CF 56K 1/5W J N | 56K | 1 |
| R148R | 3009273973 | RES CF 27K 1/5W J N | 27K | 1 |
| R108R R109R R110R R111R | 3009332973 | RES CF 3.3K 1/5W J N | 3.3K | 4 |
| R150R | 3009391973 | RES CF 390 1/5W J N | 390 | 1 |
| R129R R136R | 3039479575-T | RES MO 4.7 2W J RADIAL | 4.7 2W | 2 |
| R03R R04R R05R R06R | 3002100953 | RES CF 10K 1/5W F N | 10K | 4 |
| R145R R147R | 3009472973 | RES CF 4.7K 1/5W J N | 4.7K | 2 |
| R121R | 3009471973 | RES CF 470 1/5W J N | 470 | 1 |
| R114R R115R R116R R117R | 3009470973 | RES CF 47 1/5W J N | 47 | 4 |
| R01R R02R | 3009473973 | RES CF 47K 1/5W J N | 47K | 2 |
| R154R R157R | 3009102973 | RES CF 1K 1/5W J N | 1K | 2 |
| R151R | 3009561973 | RES CF 560 1/5W J N | 560 | 1 |
| R102R | 3009563973 | RES CF 56K 1/5W J N | 56K | 1 |
| R156R | 3009303973 | RES CF 30K 1/5W J N | 30K | 1 |
| R104R R105R | 3009683973 | RES CF 68K 1/5W J N | 68K | 2 |
| R125R R126R | 3009113973 | RES CF 11K 1/5W J N | 11K | 2 |
| R149R | 3009912973 | RES CF 9.1K 1/5W JN | 9.1K | 1 |
| SVR1R | 3248347120-T | RES SEMI RH063MCS2R | 470B | 1 |
| S3 | 4618001110 | SW SV10020-0202-9T-SN | SLIDE SW | 1 |
| TP1 | | | | 1 |
| TP2 | | | TP | 1 |
| Q112R | 2028407990 | KTC4370A-Y-U | 2SC 4370A | 1 |
| Q116R | 2028407122 | TR NPN 2SC5200 TOSHIBA | 5200 | 1 |
| Q103R Q104R Q120R | 2008606108-T | KTC3200-BL-AT | C3200 | 3 |
| Q107R | 2028407990 | KTC4370A-Y-U | C4370 | 1 |
| Q109R | 2008606107-T | KTC3206-Y-AT | C3206 | 1 |
| Q102R Q110R Q121R | 2008606104-T | TR NPN KTC3198-Y-AT TO-92 | KTC 3198Y | 3 |
| Q101R Q111R | 2008606105-T | TR NPN KTA1266-Y-AT TO-92 | 2SA 1266GR | 2 |
| Q113R | 2028107984 | KTA1659A-Y-U | 2SA 1659A | 1 |
| Q105R Q106R | 2008206106-T | KTA2400-GR-AT | 2400 | 2 |
| Q117R | 2028107118 | TR PNP 2SA1943 TOSHIBA | 1943 | 1 |
| Q122R Q123R | 2008206105-T | TR PNP KTA1268-GR-AT TO-92 | KTA 1268 | 2 |
| Q108R | 2008206997-T | KTA1024-Y-AT | A1024 | 1 |
| D301R D302R | 2058502150 | DIODE ZENER UZ-15BM(1N5245B) | UZ 15BM 1W | 2 |

OUTPUT B'D (C4008499930)

| | | | | |
|----------|--------------|--------------------------------|--------------|---|
| JK5-6 | 4438091710 | JACK SPEAKON (PCB INSERT TYPE) | JACK SPEAKON | 2 |
| C501-504 | 3609104122-T | CAP MA 0.1UF 100V J SMALL | 0.1/100(M) | 4 |
| R501-504 | 3039470575-T | RES MO 47 2W J RADIAL | 47 2W | 4 |
| SP1 | 4438190410 | BINDING POST(2P) | BINDING POST | 1 |
| SP2 | 4438190420 | BINDING POST(2P) | BINDING POST | 1 |

| | | | | |
|-----|------------|------------------|-------------|---|
| AN4 | 4355465007 | CON ASS'Y 4P JST | WAFHW4P3.96 | 1 |
|-----|------------|------------------|-------------|---|

LED B'D (C4008499940)

| | | | | |
|-----------------|------------|--------------------------|-----------|---|
| CN1-2 | 4428595006 | LW5267/LWB0640/2.5MM-06P | 6P | 2 |
| GND2 | 6505958210 | GND TERMINAL | GND PLATE | 1 |
| LD4 | 2300032105 | LED LTL-1CHG-021A LITEON | LED GRE | 1 |
| LD1 LD3 LD5 LD7 | 2300030105 | LED LTL-1CHE-021A LITEON | LED RED | 4 |
| LD6 | 2300032105 | LED LTL-1CHG-021A LITEON | LED GRE | 1 |
| LD2 | 2300032105 | LED LTL-1CHG-021A LITEON | LED GRN | 1 |
| R505 | 3009102973 | RES CF 1K 1/5W J N | 1K | 1 |
| R506-507 | 3009472973 | RES CF 4.7K 1/5W J N | 4.7K | 2 |
| VR3-4 | 3228070100 | VR RK16311E0Z0113B | 10Kb | 2 |

ELECTRICAL PARTS LIST (R - 300)

| Ref No. | Part No. | Description | Value | Qty |
|---------|----------|-------------|-------|-----|
|---------|----------|-------------|-------|-----|

MAIN B'D (C4008499900)

| | | | | |
|----------|--------------|--------------------------------|-------------|---|
| D200 | 2058100988 | DIODE BRIDGE PBU 804 | 804 | 1 |
| C203 | 3639474255 | CAP TL 474K 250V K | 474/250 | 1 |
| CN10 | 4355923806 | CONNECTOR WAFER 06P(J.ST) | 6P | 1 |
| CN5 | 4355923807 | CON WAFER 07P JST (3.96) | 7P | 1 |
| CN7 | 4355923803 | CONNECTOR WAFER 03P(J.ST) | 3P | 1 |
| D201-202 | 2058100996 | DIODE RECTIFIER LT1N4006(4007) | 1N 4006 | 2 |
| C208 | 3409210141-T | CAP AF RSG 100UF 25V 6 P | 100/25 | 1 |
| C207 | 3409247991-T | CAP AF RSG 4.7UF 100V 5 P | 4.7/100 | 1 |
| C211 | 3409210141-T | CAP AF RSG 100UF 25V 6 P | 100/25 | 1 |
| C210 | 3409210171-T | CAP AF RSG 100UF 50V 8 P | 100/50 | 1 |
| C201-202 | 3409510335 | CAP LSW 10000UF/63V (JAMICON) | 10000/63 | 2 |
| GND1 | 6505958210 | GND TERMINAL | GND PLATE | 1 |
| R201 | 3009104973 | RES CF 100K 1/5W J N | 100K | 1 |
| R202-205 | 3009223973 | RES CF 22K 1/5W J N | 22K | 4 |
| R206-207 | 3009183973 | RES CF 18K 1/5W J N | 18K | 2 |
| R221 | 3039102575-T | RES MO 1K 2W J RADIAL | 1K 2W | 1 |
| R220 | 3009223973 | RES CF 22K 1/5W J N | 22K | 1 |
| R208 | 3009223973 | RES CF 22K 1/5W J N | 22K | 1 |
| R209 | 3009471973 | RES CF 470 1/5W J N | 470 | 1 |
| R212 | 3009104973 | RES CF 100K 1/5W J N | 100K | 1 |
| R210 | 3009223973 | RES CF 2.2K 1/5W J N | 22K | 1 |
| R211 | 3009563973 | RES CF 56K 1/5W J N | 56K | 1 |
| RY1 | 5528009950 | RELAY HR-CR3A23 DC 24VH | RLY DC24V | 1 |
| IC201 | 2118050410 | IC TA7317P TOSHIBA | TA7317P | 1 |
| CN4 | 4355923804 | CONNECTOR WAFER 04P (J.ST) | WAFHW4P3.96 | 1 |

1CH AMP B'D (C4008499910)

| | | | | |
|--|--------------|------------------------------|---------|----|
| C101L | 3509102231-A | CAP CE YB 1000PF 50V K AXIAL | 0.001 | 1 |
| C07L C301L C302L | 3509104530-T | CAP CE F 0.1UF 50V Z | 0.1/50 | 3 |
| C03L C04L | 3509101231-A | CAP CE B 100PF 50V K AXIAL | 100P | 2 |
| C104L C106L C160L | 3529150311-A | CAP CE SL 15PF 50V J AXIAL | 15P | 3 |
| C08L | 3529100311-A | CAP CE SL 10PF 50V J AXIAL | 10P | 1 |
| C112L | 3529330311-A | CAP CE SL 33PF 50V J AXIAL | 33P | 1 |
| C05L | 3529050311-A | CAP CE SL 5P 50V C AXIAL | 5P | 1 |
| AN5 | 4355464911 | CON ASS'Y 7P JST | 7P | 1 |
| L101L | 2648099920 | COIL INDUCTOR 0.6UH | 0.6uH | 1 |
| AN11-1 | 4355465109 | CON ASS'Y 3P SHIELD | 3P | 1 |
| AN2 | 4355465202 | CON ASS'Y 6P SHIELD(3P) | 6P | 1 |
| D101L D102L D103L D104L D106L D107L D108L D109L D110L D111L D112L | 2058304100 | DIODE IN4148M | 1N4148 | 11 |
| D113L D114L | 2058100110 | DIODE RL207 PYUNG CHANG | PS 2010 | 2 |
| C105L C117L | 3409210071-T | CAP AF RSG 10UF 50V 5 P | 10/50 | 2 |
| C118L C119L | 3409247991-T | CAP AF RSG 4.7UF 100V 5 P | 4.7/100 | 2 |
| C113L C114L | 3409222071-T | CAP AF RSG 22UF 50V 5 P | 22/50 | 2 |
| C115L | 3409222141-T | CAP AF RSG 220UF 25V J 8 P | 220/25 | 1 |

| | | | | |
|----------------------------------|--------------|-----------------------------|-----------|---|
| C102L | 3409247971-T | CAP AF RSG 4.7UF 50V 5 P | 4.7/50 | 1 |
| C01L C02L C06L C303L C304L | 3409247071-T | CAP AF RSG 47UF 50V 6 P | 47/50 | 5 |
| JK9 | C4438097210 | JACK PHONE(4P) JY-6313(J.T) | PHONE 4P | 1 |
| JK3 | 4438189310 | XLR JACK(F) JY-5033A(J.T) | XLR 3P(F) | 1 |
| C108L C109L | 3609472120-T | CAP MA 0.0047UF 100V J | 0.0047(M) | 2 |
| C116L | 3609104122-T | CAP MA 0.1UF 100V J SMALL | 0.1(M) | 1 |
| IC10L | 2118010232 | IC NJM072D JRC | NJM 072D | 1 |
| IC2L | 2118010432 | IC NJM2068DD JRC | NJM 2068D | 1 |
| PO2 | 2438007993 | POSISTOR PTFM04BE222Q2N34B0 | 27 | 1 |
| R137L R138L R187L R188L | 3059278674 | RES CE RGC3 0.27 3W(NOBLE) | 0.27 5W | 4 |
| R132L R133L | 3009471973 | RES CF 470 1/5W J N | 470 | 2 |
| R120L R123L | 3089101275 | RES NFR 100 1/4W J R PHILKO | 100 | 2 |
| R124L R127L | 3009101973 | RES CF 100 1/5W J N | 100 | 2 |
| R152L | 3009104973 | RES CF 100K 1/5W J N | 100K | 1 |
| R130L R135L R180L R185L | 3089100275 | RES NFR 10 1/4W J R PHILKO | 10(NFR) | 4 |
| R141L | 3039100575-T | RES MO 10 2W JR | 10 2W | 1 |
| R103L R155L | 3009123973 | RES CF 12K 1/5W J N | 12K | 2 |
| R122L | 3009151973 | RES CF 150 1/5W J N | 150 | 1 |
| R153L R160L | 3009154973 | RES CF 150K 1/5W J N | 150K | 2 |
| R159L R158L | 3009123973 | RES CF 12K 1/5W J N | 12K | 2 |
| R106L R107L | 3009181973 | RES CF 180 1/5W J N | 180 | 2 |
| R143L R144L | 3009183973 | RES CF 18K 1/5W J N | 18K | 2 |
| R101L R112L R113L R118L R119L | 3009102973 | RES CF 1K 1/5W J N | 1K | 5 |
| R146L | 3009222973 | RES CF 2.2K 1/5W J N | 2.2K | 1 |
| R301L R302L | 3059227774 | RES CE 2.7K 5W | 2.7K 5W | 2 |
| R128L | 3039271575-T | RES MO 270 2W J RADIAL | 270 2W | 1 |
| R07L R08L | 3009563973 | RES CF 56K 1/5W J N | 56K | 2 |
| R09L | 3009470973 | RES CF 47 1/5W J N | 47 | 1 |
| R148L | 3009273973 | RES CF 27K 1/5W J N | 27K | 1 |
| R108L R109L R110L R111L | 3009332973 | RES CF 3.3K 1/5W J N | 3.3K | 4 |
| R150L | 3009391973 | RES CF 390 1/5W J N | 390 | 1 |
| R226L | 3009393973 | RES CF 39K 1/5W J N | 39K | 1 |
| R223L | 3009302973 | RES CF 3K 1/5W J N | 3K | 1 |
| R129L R136L | 3039479575-T | RES MO 4.7 2W J RADIAL | 4.7 2W | 2 |
| R03L R04L R05L R06L | 3002100953 | RES CF 10K 1/5W F N | 10K | 4 |
| R145L R147L | 3009472973 | RES CF 4.7K 1/5W J N | 4.7K | 2 |
| R121L | 3009471973 | RES CF 470 1/5W J N | 470 | 1 |
| R114L R115L R116L R117L | 3009470973 | RES CF 47 1/5W J N | 47 | 4 |
| R01L R02L | 3009473973 | RES CF 47K 1/5W J N | 47K | 2 |
| R154L R157L | 3009102973 | RES CF 1K 1/5W J N | 1K | 2 |
| R151L | 3009561973 | RES CF 560 1/5W J N | 560 | 1 |
| R102L | 3009563973 | RES CF 56K 1/5W J N | 56K | 1 |
| R156L | 3009303973 | RES CF 30K 1/5W J N | 30K | 1 |
| R161L | 3039681575-T | RES MO 680 2W J RASIAL | 680 2W | 1 |
| R104L R105L | 3009683973 | RES CF 68K 1/5W J N | 68K | 2 |
| R125L R126L | 3002150953 | RES CF 15K 1/5W F N | 15K | 2 |

| | | | | |
|----------------------------|--------------|------------------------------|---------------|---|
| R149L | 3009113973 | RES CF 11K 1/5W J N | 11K | 1 |
| SVR1L | 3248347120-T | RES SEMI RH063MCS2R | 470B | 1 |
| TP1L | | | | 1 |
| TP2L | | | TP | 1 |
| Q112L | 2028407990 | KTC4370A-Y-U | 2SC 4370A | 1 |
| Q116L Q186L | 2028407122 | TR NPN 2SC5200 TOSHIBA | 3856 | 2 |
| Q103L Q104L Q120L | 2008606108-T | KTC3200-BL-AT | C3200 | 3 |
| Q107L | 2028407990 | KTC4370A-Y-U | C4370 | 1 |
| Q109L | 2008606107-T | KTC3206-Y-AT | KTC3206Y | 1 |
| Q102L Q110L Q121L Q201L | 2008606104-T | TR NPN KTC3198-Y-AT TO-92 | KTC 3198Y | 4 |
| Q101L Q111L | 2008606105-T | TR NPN KTA1266-Y-AT TO-92 | 2SA 1266GR | 2 |
| Q113L | 2028107984 | KTA1659A-Y-U | 2SA 1659A | 1 |
| Q105L Q106L | 2008206106-T | KTA2400-GR-AT | KTA2400-GR-AT | 2 |
| Q117L Q187L | 2028107118 | TR PNP 2SA1943 TOSHIBA | 1492 | 2 |
| Q122L Q123L | 2008206105-T | TR PNP KTA1268-GR-AT TO-92 | KTA 1268 | 2 |
| Q108L | 2008206997-T | KTA1024-Y-AT | A1024 | 1 |
| D301L D302L | 2058502150 | DIODE ZENER UZ-15BM(1N5245B) | UZ 15BM 1W | 2 |

2CH AMP B'D (C4008499920)

| | | | | |
|--|--------------|------------------------------|-----------|----|
| C101R | 3509102231-A | CAP CE YB 1000PF 50V K AXIAL | 0.001 | 1 |
| C07R C301R C302R | 3509104530-T | CAP CE F 0.1UF 50V Z | 0.1/50 | 3 |
| C03R C04R | 3509101231-A | CAP CE B 100PF 50V K AXIAL | 100P | 2 |
| C104R C106R C160R | 3529150311-A | CAP CE SL 15PF 50V J AXIAL | 15P | 3 |
| C112R | 3529330311-A | CAP CE SL 33PF 50V J AXIAL | 33P | 1 |
| C05R | 3529050311-A | CAP CE SL 5P 50V C AXIAL | 5P | 1 |
| CN9 | 4355464811 | CON ASS'Y 6P JST | 6P | 1 |
| L101R | 2648099920 | COIL INDUCTOR 0.6UH | 0.6uH | 1 |
| AN11 | 4428594903 | LA5268/LAB0640/2.5MM-03P | 3P | 1 |
| AN1 | 4355465209 | CON ASS'Y 6P SHIELD(3P) | 6P | 1 |
| D101R D102R D103R D104R D106R D107R D108R D109R D110R D111R D112R | 2058304100 | DIODE IN4148M | 1N4148 | 11 |
| D113R D114R | 2058100110 | DIODE RL207 PYUNG CHANG | PS 2010 | 2 |
| C105R C117R | 3409210071-T | CAP AF RSG 10UF 50V 5 P | 10/50 | 2 |
| C118R C119R | 3409247991-T | CAP AF RSG 4.7UF 100V 5 P | 4.7/100 | 2 |
| C113R C114R | 3409222071-T | CAP AF RSG 22UF 50V 5 P | 22/50 | 2 |
| C115R | 3409222141-T | CAP AF RSG 220UF 25V J 8 P | 220/25 | 1 |
| C102R | 3409247971-T | CAP AF RSG 4.7UF 50V 5 P | 4.7/50 | 1 |
| C01R C02R C06R C303R C304R | 3409247071-T | CAP AF RSG 47UF 50V 6 P | 47/50 | 5 |
| JK1 | C4438097210 | JACK PHONE(4P) JY-6313(J.T) | PHONE 4P | 1 |
| JK4 | 4438189310 | XLR JACK(F) JY-5033A(J.T) | XLR 3P(F) | 1 |
| C108R C109R | 3609472120-T | CAP MA 0.0047UF 100V J | 0.0047(M) | 2 |
| C116R | 3609104122-T | CAP MA 0.1UF 100V J SMALL | 0.1(M) | 1 |
| IC10R | 2118010232 | IC NJM072D JRC | NJM 072D | 1 |
| IC2R | 2118010432 | IC NJM2068DD JRC | NJM 2068D | 1 |
| PO1 | 2438007993 | POSISTOR PTFM04BE222Q2N34B0 | 27 | 1 |
| R137R R138R R187R R188R | 3059278674 | RES CE RGC3 0.27 3W(NOBLE) | 0.27 5W | 4 |
| R132R R133R | 3009471973 | RES CF 470 1/5W J N | 470 | 2 |
| R120R R123R | 3089101275 | RES NFR 100 1/4W J R PHILKO | 100 | 2 |

| | | | | |
|----------------------------------|--------------|------------------------------|------------|---|
| R124R R127R | 3009101973 | RES CF 100 1/5W J N | 100 | 2 |
| R152R | 3009104973 | RES CF 100K 1/5W J N | 100K | 1 |
| R130R R135R R180R R185R | 3089100275 | RES NFR 10 1/4W J R PHILKO | 10(NFR) | 4 |
| R141R | 3039100575-T | RES MO 10 2W JR | 10 2W | 1 |
| R103R R155R | 3009123973 | RES CF 12K 1/5W J N | 12K | 2 |
| R122R | 3009151973 | RES CF 150 1/5W J N | 150 | 1 |
| R153R R160R | 3009154973 | RES CF 150K 1/5W J N | 150K | 2 |
| R159R R158R | 3009123973 | RES CF 12K 1/5W J N | 12K | 2 |
| R106R R107R | 3009181973 | RES CF 180 1/5W J N | 180 | 2 |
| R143R R144R | 3009183973 | RES CF 18K 1/5W J N | 18K | 2 |
| R101R R112R R113R R118R R119R | 3009102973 | RES CF 1K 1/5W J N | 1K | 5 |
| R146R | 3009222973 | RES CF 2.2K 1/5W J N | 2.2K | 1 |
| R301R R302R | 3059227774 | RES CE 2.7K 5W | 2.7K 5W | 2 |
| R128R | 3039271575-T | RES MO 270 2W J RADIAL | 270 2W | 1 |
| R10R | 3009563973 | RES CF 56K 1/5W J N | 56K | 1 |
| R148R | 3009273973 | RES CF 27K 1/5W J N | 27K | 1 |
| R108R R109R R110R R111R | 3009332973 | RES CF 3.3K 1/5W J N | 3.3K | 4 |
| R150R | 3009391973 | RES CF 390 1/5W J N | 390 | 1 |
| R129R R136R | 3039479575-T | RES MO 4.7 2W J RADIAL | 4.7 2W | 2 |
| R03R R04R R05R R06R | 3002100953 | RES CF 10K 1/5W F N | 10K | 4 |
| R145R R147R | 3009472973 | RES CF 4.7K 1/5W J N | 4.7K | 2 |
| R121R | 3009471973 | RES CF 470 1/5W J N | 470 | 1 |
| R114R R115R R116R R117R | 3009470973 | RES CF 47 1/5W J N | 47 | 4 |
| R01R R02R | 3009473973 | RES CF 47K 1/5W J N | 47K | 2 |
| R154R R157R | 3009102973 | RES CF 1K 1/5W J N | 1K | 2 |
| R151R | 3009561973 | RES CF 560 1/5W J N | 560 | 1 |
| R102R | 3009563973 | RES CF 56K 1/5W J N | 56K | 1 |
| R156R | 3009303973 | RES CF 30K 1/5W J N | 30K | 1 |
| R104R R105R | 3009683973 | RES CF 68K 1/5W J N | 68K | 2 |
| R125R R126R | 3002150953 | RES CF 15K 1/5W F N | 15K | 2 |
| R149R | 3009113973 | RES CF 11K 1/5W J N | 11K | 1 |
| SVR1R | 3248347120-T | RES SEMI RH063MCS2R | 470B | 1 |
| S3 | 4618001110 | SW SV10020-0202-9T-SN | SLIDE SW | 1 |
| TP1 | | | | 1 |
| TP2 | | | TP | 1 |
| Q112R | 2028407990 | KTC4370A-Y-U | 2SC 4370A | 1 |
| Q116R Q186R | 2028407122 | TR NPN 2SC5200 TOSHIBA | 3856 | 2 |
| Q103R Q104R Q120R | 2008606108-T | KTC3200-BL-AT | C3200 | 3 |
| Q107R | 2028407990 | KTC4370A-Y-U | C4370 | 1 |
| Q109R | 2008405999 | KTC3206-Y-AT | C3206 | 1 |
| Q102R Q110R Q121R | 2008606104-T | TR NPN KTC3198-Y-AT TO-92 | KTC 3198Y | 3 |
| Q101R Q111R | 2008606105-T | TR NPN KTA1266-Y-AT TO-92 | 2SA 1266GR | 2 |
| Q113R | 2028107984 | KTA1659A-Y-U | 2SA 1659A | 1 |
| Q105R Q106R | 2008206106-T | KTA2400-GR-AT | 2400 | 2 |
| Q117R Q187R | 2028107118 | TR PNP 2SA1943 TOSHIBA | 1492 | 2 |
| Q122R Q123R | 2008206105-T | TR PNP KTA1268-GR-AT TO-92 | KTA 1268 | 2 |
| Q108R | 2008005999 | KTA1024-Y-AT | A1024 | 1 |
| D301R D302R | 2058502150 | DIODE ZENER UZ-15BM(1N5245B) | UZ 15BM 1W | 2 |

OUTPUT B'D (C4008499930)

| | | | | |
|----------|--------------|--------------------------------|--------------|---|
| JK5-6 | 4438091710 | JACK SPEAKON (PCB INSERT TYPE) | JACK SPEAKON | 2 |
| C501-504 | 3609104122-T | CAP MA 0.1UF 100V J SMALL | 0.1/100(M) | 4 |
| R501-504 | 3039470575-T | RES MO 47 2W J RADIAL | 47 2W | 4 |
| SP1 | 4438190410 | BINDING POST(2P) | BINDING POST | 1 |
| SP2 | 4438190420 | BINDING POST(2P) | BINDING POST | 1 |
| AN4 | 4355465007 | CON ASSY 4P JST | WAFHW4P3.96 | 1 |

LED B'D (C4008499940)

| | | | | |
|-----------------|------------|--------------------------|-----------|---|
| CN1-2 | 4428595006 | LW5267/LWB0640/2.5MM-06P | 6P | 2 |
| GND2 | 6505958210 | GND TERMINAL | GND PLATE | 1 |
| LD4 | 2300032105 | LED LTL-1CHG-021A LITEON | LED GRE | 1 |
| LD1 LD3 LD5 LD7 | 2300030105 | LED LTL-1CHE-021A LITEON | LED RED | 4 |
| LD6 | 2300032105 | LED LTL-1CHG-021A LITEON | LED GRE | 1 |
| LD2 | 2300032105 | LED LTL-1CHG-021A LITEON | LED GRN | 1 |
| R505 | 3009102973 | RES CF 1K 1/5W J N | 1K | 1 |
| R506-507 | 3009472973 | RES CF 4.7K 1/5W J N | 4.7K | 2 |
| VR3-4 | 3228070100 | VR RK16311E0Z0113B | 10Kb | 2 |

ELECTRICAL PARTS LIST (R - 500)

| Ref No. | Part No. | Description | Value | Qty |
|---------|----------|-------------|-------|-----|
|---------|----------|-------------|-------|-----|

MAIN B'D (C4008499900)

| | | | | |
|----------|--------------|--------------------------------|-------------|---|
| D200 | 2058100968 | DIODE BRIDGE KBU1004G TAIWAN | 1004 | 1 |
| C203 | 3639474255 | CAP TL 474K 250V K | 474/250 | 1 |
| CN10 | 4355923806 | CONNECTOR WAFER 06P(J.ST) | 6P | 1 |
| CN5 | 4355923807 | CON WAFER 07P JST (3.96) | 7P | 1 |
| CN7 | 4355923803 | CONNECTOR WAFER 03P(J.ST) | 3P | 1 |
| D201-202 | 2058100996 | DIODE RECTIFIER LT1N4006(4007) | 1N 4006 | 2 |
| C208 | 3409210141-T | CAP AF RSG 100UF 25V 6 P | 100/25 | 1 |
| C207 | 3409247991-T | CAP AF RSG 4.7UF 100V 5 P | 4.7/100 | 1 |
| C211 | 3409210141-T | CAP AF RSG 100UF 25V 6 P | 100/25 | 1 |
| C210 | 3409210171-T | CAP AF RSG 100UF 50V 8 P | 100/50 | 1 |
| C201-202 | 3419510350 | CAP LSW 10000UF/80V | 10000/80 | 2 |
| GND1 | 6505958210 | GND TERMINAL | GND PLATE | 1 |
| R201 | 3009104973 | RES CF 100K 1/5W J N | 100K | 1 |
| R202-205 | 3009223973 | RES CF 22K 1/5W J N | 22K | 4 |
| R206-207 | 3009183973 | RES CF 18K 1/5W J N | 18K | 2 |
| R221 | 3039152575-T | RES MO 1.5K 2W J RADIAL | 1.5k 2W | 1 |
| R220 | 3009223973 | RES CF 22K 1/5W J N | 22K | 1 |
| R208 | 3009223973 | RES CF 22K 1/5W J N | 22K | 1 |
| R209 | 3009471973 | RES CF 470 1/5W J N | 470 | 1 |
| R212 | 3009104973 | RES CF 100K 1/5W J N | 100K | 1 |
| R210 | 3009223973 | RES CF 2.2K 1/5W J N | 22K | 1 |
| R211 | 3009563973 | RES CF 56K 1/5W J N | 56K | 1 |
| RY1 | 5528009950 | RELAY HR-CR3A23 DC 24VH | RLY DC24V | 1 |
| IC201 | 2118050410 | IC TA7317P TOSHIBA | TA7317P | 1 |
| CN4 | 4355923804 | CONNECTOR WAFER 04P (J.ST) | WAFHW4P3.96 | 1 |

1CH AMP B'D (C4008499910)

| | | | | |
|--|--------------|------------------------------|---------|----|
| C101L | 3509102231-A | CAP CE YB 1000PF 50V K AXIAL | 0.001 | 1 |
| C07L C301L C302L | 3509104530-T | CAP CE F 0.1UF 50V Z | 0.1/50 | 3 |
| C03L C04L | 3509101231-A | CAP CE B 100PF 50V K AXIAL | 100P | 2 |
| C104L C106L C160L | 3529150311-A | CAP CE SL 15PF 50V J AXIAL | 15P | 3 |
| C08L | 3529100311-A | CAP CE SL 10PF 50V J AXIAL | 10P | 1 |
| C112L | 3529330311-A | CAP CE SL 33PF 50V J AXIAL | 33P | 1 |
| C05L | 3529050311-A | CAP CE SL 5P 50V C AXIAL | 5P | 1 |
| AN5 | 4355464911 | CON ASS'Y 7P JST | 7P | 1 |
| L101L | 2648099920 | COIL INDUCTOR 0.6UH | 0.6uH | 1 |
| AN11-1 | 4355465109 | CON ASS'Y 3P SHIELD | 3P | 1 |
| AN2 | 4355465202 | CON ASS'Y 6P SHIELD(3P) | 6P | 1 |
| D101L D102L D103L D104L D106L D107L D108L D109L D110L D111L D112L | 2058304100 | DIODE IN4148M | 1N4148 | 11 |
| D113L D114L | 2058100110 | DIODE RL207 PYUNG CHANG | PS 2010 | 2 |
| C105L C117L | 3409210071-T | CAP AF RSG 10UF 50V 5 P | 10/50 | 2 |
| C118L C119L | 3409247991-T | CAP AF RSG 4.7UF 100V 5 P | 4.7/100 | 2 |
| C113L C114L | 3409222071-T | CAP AF RSG 22UF 50V 5 P | 22/50 | 2 |
| C115L | 3409222141-T | CAP AF RSG 220UF 25V J 8 P | 220/25 | 1 |
| C102L | 3409247971-T | CAP AF RSG 4.7UF 50V 5 P | 4.7/50 | 1 |

| | | | | |
|--|--------------|-----------------------------|-----------|---|
| C01L C02L C06L C303L C304L | 3409247071-T | CAP AF RSG 47UF 50V 6 P | 47/50 | 5 |
| JK9 | C4438097210 | JACK PHONE(4P) JY-6313(J.T) | PHONE 4P | 1 |
| JK3 | 4438189310 | XLR JACK(F) JY-5033A(J.T) | XLR 3P(F) | 1 |
| C108L C109L | 3609472120-T | CAP MA 0.0047UF 100V J | 0.0047(M) | 2 |
| C116L | 3609104122-T | CAP MA 0.1UF 100V J SMALL | 0.1(M) | 1 |
| IC10L | 2118010232 | IC NJM072D JRC | NJM 072D | 1 |
| IC2L | 2118010432 | IC NJM2068DD JRC | NJM 2068D | 1 |
| PO2 | 2438007993 | POSISTOR PTFM04BE222Q2N34B0 | 27 | 1 |
| R137L R138L R177L R178L R187L R188L | 3059278674 | RES CE RGC3 0.27 3W(NOBLE) | 0.27 5W | 6 |
| R132L R133L | 3009151973 | RES CF 150 1/5W J N | 150 | 2 |
| R120L R123L | 3089101275 | RES NFR 100 1/4W J R PHILKO | 100 | 2 |
| R124L R127L | 3009101973 | RES CF 100 1/5W J N | 100 | 2 |
| R152L | 3009104973 | RES CF 100K 1/5W J N | 100K | 1 |
| R130L R135L R170L R175L R180L R185L | 3089100275 | RES NFR 10 1/4W J R PHILKO | 10(NFR) | 6 |
| R141L | 3039100575-T | RES MO 10 2W JR | 10 2W | 1 |
| R103L R155L | 3009123973 | RES CF 12K 1/5W J N | 12K | 2 |
| R122L | 3009151973 | RES CF 150 1/5W J N | 150 | 1 |
| R153L R160L | 3009154973 | RES CF 150K 1/5W J N | 150K | 2 |
| R159L R158L | 3009123973 | RES CF 12K 1/5W J N | 12K | 2 |
| R106L R107L | 3009181973 | RES CF 180 1/5W J N | 180 | 2 |
| R143L R144L | 3009183973 | RES CF 18K 1/5W J N | 18K | 2 |
| R101L R112L R113L R118L R119L | 3009102973 | RES CF 1K 1/5W J N | 1K | 5 |
| R146L | 3009222973 | RES CF 2.2K 1/5W J N | 2.2K | 1 |
| R301L R302L | 3059302773 | RES CE 3K 5W J M | 3K 5W | 2 |
| R128L | 3039271575-T | RES MO 270 2W J RADIAL | 270 2W | 1 |
| R07L R08L | 3009563973 | RES CF 56K 1/5W J N | 56K | 2 |
| R09L | 3009470973 | RES CF 47 1/5W J N | 47 | 1 |
| R148L | 3009273973 | RES CF 27K 1/5W J N | 27K | 1 |
| R108L R109L R110L R111L | 3009332973 | RES CF 3.3K 1/5W J N | 3.3K | 4 |
| R150L | 3009391973 | RES CF 390 1/5W J N | 390 | 1 |
| R226L | 3009393973 | RES CF 39K 1/5W J N | 39K | 1 |
| R223L | 3009302973 | RES CF 3K 1/5W J N | 3K | 1 |
| R129L R136L | 3039479575-T | RES MO 4.7 2W J RADIAL | 4.7 2W | 2 |
| R03L R04L R05L R06L | 3002100953 | RES CF 10K 1/5W F N | 10K | 4 |
| R145L R147L | 3009472973 | RES CF 4.7K 1/5W J N | 4.7K | 2 |
| R121L | 3009471973 | RES CF 470 1/5W J N | 470 | 1 |
| R114L R115L R116L R117L | 3009470973 | RES CF 47 1/5W J N | 47 | 4 |
| R01L R02L | 3009473973 | RES CF 47K 1/5W J N | 47K | 2 |
| R154L R157L | 3009102973 | RES CF 1K 1/5W J N | 1K | 2 |
| R151L | 3009561973 | RES CF 560 1/5W J N | 560 | 1 |
| R102L | 3009563973 | RES CF 56K 1/5W J N | 56K | 1 |
| R156L | 3009303973 | RES CF 30K 1/5W J N | 30K | 1 |
| R161L | 3039681575-T | RES MO 680 2W J RASIAL | 680 2W | 1 |
| R104L R105L | 3009683973 | RES CF 68K 1/5W J N | 68K | 2 |
| R125L R126L | 3002100953 | RES CF 10K 1/5W F N | 10K | 2 |
| R149L | 3009183973 | RES CF 18K 1/5W J N | 18K | 1 |

| | | | | |
|----------------------------|--------------|------------------------------|---------------|---|
| SVR1L | 3248347120-T | RES SEMI RH063MCS2R | 470B | 1 |
| TP1L | | | | 1 |
| TP2L | | | TP | 1 |
| Q112L | 2028407990 | KTC4370A-Y-U | 2SC 4370A | 1 |
| Q116L Q176L Q186L | 2028407122 | TR NPN 2SC5200 TOSHIBA | 5200 | 3 |
| Q103L Q104L Q120L | 2008606108-T | KTC3200-BL-AT | C3200 | 3 |
| Q107L | 2028407990 | KTC4370A-Y-U | C4370 | 1 |
| Q109L | 2008405999 | TR NPN 2SC4001 NEC | C4001 | 1 |
| Q102L Q110L Q121L Q201L | 2008606104-T | TR NPN KTC3198-Y-AT TO-92 | KTC 3198Y | 4 |
| Q101L Q111L | 2008606105-T | TR NPN KTA1266-Y-AT TO-92 | 2SA 1266GR | 2 |
| Q113L | 2028107984 | KTA1659A-Y-U | 2SA 1659A | 1 |
| Q105L Q106L | 2008206106-T | KTA2400-GR-AT | KTA2400-GR-AT | 2 |
| Q117L Q177L Q187L | 2028107118 | TR PNP 2SA1943 TOSHIBA | 1943 | 3 |
| Q122L Q123L | 2008206105-T | TR PNP KTA1268-GR-AT TO-92 | KTA 1268 | 2 |
| Q108L | 2008005999 | TR PNP 2SA 1546 NEC | A1546 | 1 |
| D301L D302L | 2058502150 | DIODE ZENER UZ-15BM(1N5245B) | UZ 15BM 1W | 2 |

2CH AMP B'D (C4008499920)

| | | | | |
|--|--------------|------------------------------|-----------|----|
| C101R | 3509102231-A | CAP CE YB 1000PF 50V K AXIAL | 0.001 | 1 |
| C07R C301R C302R | 3509104530-T | CAP CE F 0.1UF 50V Z | 0.1/50 | 3 |
| C03R C04R | 3509101231-A | CAP CE B 100PF 50V K AXIAL | 100P | 2 |
| C104R C106R C160R | 3529150311-A | CAP CE SL 15PF 50V J AXIAL | 15P | 3 |
| C112R | 3529330311-A | CAP CE SL 33PF 50V J AXIAL | 33P | 1 |
| C05R | 3529050311-A | CAP CE SL 5P 50V C AXIAL | 5P | 1 |
| CN9 | 4355464811 | CON ASS'Y 6P JST | 6P | 1 |
| L101R | 2648099920 | COIL INDUCTOR 0.6UH | 0.6uH | 1 |
| AN11 | 4428594903 | LA5268/LAB0640/2.5MM-03P | 3P | 1 |
| AN1 | 4355465209 | CON ASS'Y 6P SHIELD(3P) | 6P | 1 |
| D101R D102R D103R D104R D106R D107R D108R D109R D110R D111R D112R | 2058304100 | DIODE IN4148M | 1N4148 | 11 |
| D113R D114R | 2058100110 | DIODE RL207 PYUNG CHANG | PS 2010 | 2 |
| C105R C117R | 3409210071-T | CAP AF RSG 10UF 50V 5 P | 10/50 | 2 |
| C118R C119R | 3409247991-T | CAP AF RSG 4.7UF 100V 5 P | 4.7/100 | 2 |
| C113R C114R | 3409222071-T | CAP AF RSG 22UF 50V 5 P | 22/50 | 2 |
| C115R | 3409222141-T | CAP AF RSG 220UF 25V J 8 P | 220/25 | 1 |
| C102R | 3409247971-T | CAP AF RSG 4.7UF 50V 5 P | 4.7/50 | 1 |
| C01R C02R C06R C303R C304R | 3409247071-T | CAP AF RSG 47UF 50V 6 P | 47/50 | 5 |
| JK1 | C4438097210 | JACK PHONE(4P) JY-6313(J.T) | PHONE 4P | 1 |
| JK4 | 4438189310 | XLR JACK(F) JY-5033A(J.T) | XLR 3P(F) | 1 |
| C108R C109R | 3609472120-T | CAP MA 0.0047UF 100V J | 0.0047(M) | 2 |
| C116R | 3609104122-T | CAP MA 0.1UF 100V J SMALL | 0.1(M) | 1 |
| IC10R | 2118010232 | IC NJM072D JRC | NJM 072D | 1 |
| IC2R | 2118010432 | IC NJM2068DD JRC | NJM 2068D | 1 |
| PO1 | 2438007993 | POSISTOR PTFM04BE222Q2N34B0 | 27 | 1 |
| R137R R138R R177R R178R R187R R188R | 3059278674 | RES CE RGC3 0.27 3W(NOBLE) | 0.27 5W | 6 |
| R132R R133R | 3009151973 | RES CF 150 1/5W J N | 150 | 2 |
| R120R R123R | 3089101275 | RES NFR 100 1/4W J R PHILKO | 100 | 2 |
| R124R R127R | 3009101973 | RES CF 100 1/5W J N | 100 | 2 |

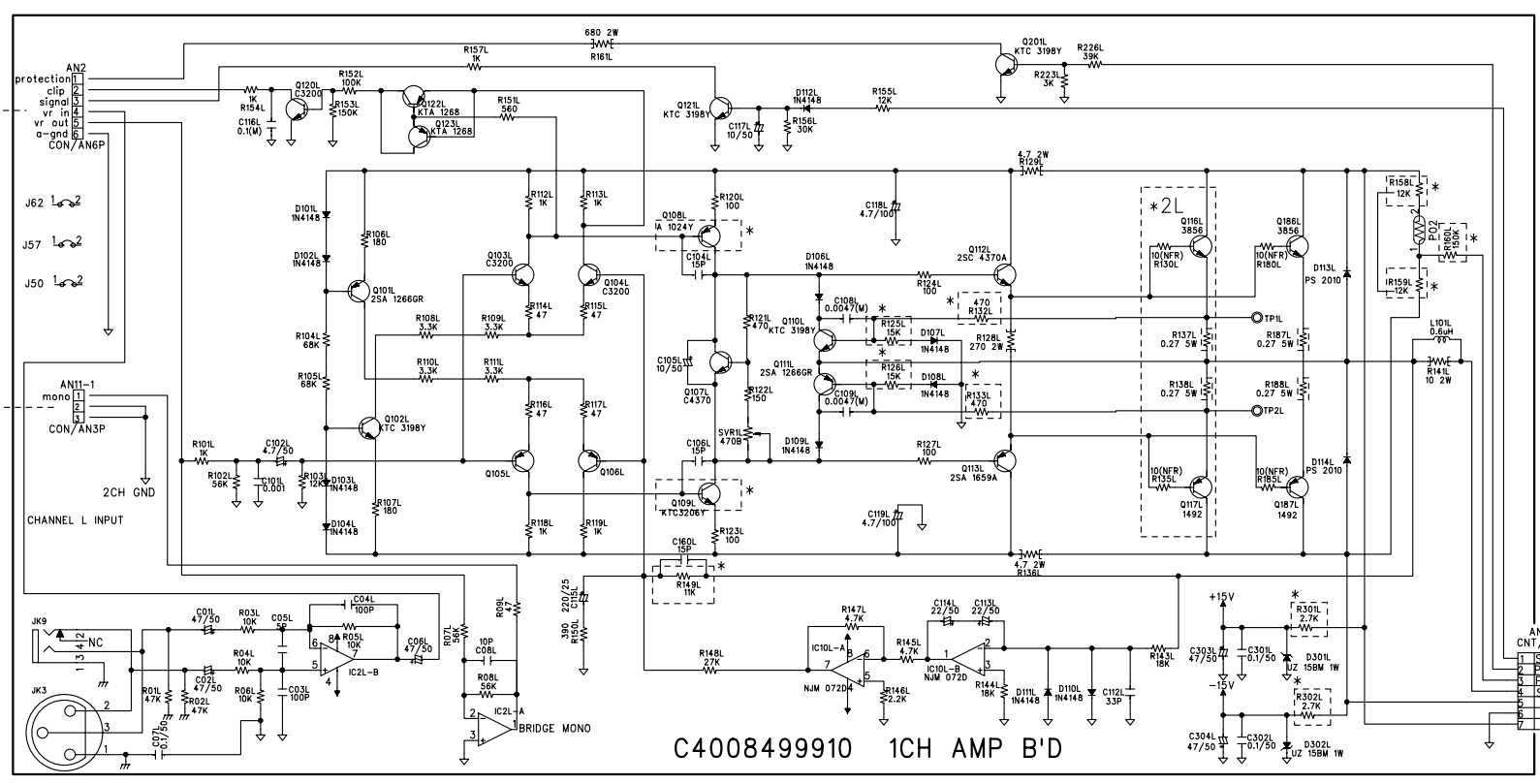
| | | | | |
|--|--------------|------------------------------|------------|---|
| R152R | 3009104973 | RES CF 100K 1/5W J N | 100K | 1 |
| R130R R135R R170R R175R R180R R185R | 3089100275 | RES NFR 10 1/4W J R PHILKO | 10(NFR) | 6 |
| R141R | 3039100575-T | RES MO 10 2W JR | 10 2W | 1 |
| R103R R155R | 3009123973 | RES CF 12K 1/5W J N | 12K | 2 |
| R122R | 3009151973 | RES CF 150 1/5W J N | 150 | 1 |
| R153R R160R | 3009154973 | RES CF 150K 1/5W J N | 150K | 2 |
| R159R R158R | 3009123973 | RES CF 12K 1/5W J N | 12K | 2 |
| R106R R107R | 3009181973 | RES CF 180 1/5W J N | 180 | 2 |
| R143R R144R | 3009183973 | RES CF 18K 1/5W J N | 18K | 2 |
| R101R R112R R113R R118R R119R | 3009102973 | RES CF 1K 1/5W J N | 1K | 5 |
| R146R | 3009222973 | RES CF 2.2K 1/5W J N | 2.2K | 1 |
| R301R R302R | 3059302774 | RES CE 3K 5W JR | 3K 5W | 2 |
| R128R | 3039271575-T | RES MO 270 2W J RADIAL | 270 2W | 1 |
| R10R | 3009563973 | RES CF 56K 1/5W J N | 56K | 1 |
| R148R | 3009273973 | RES CF 27K 1/5W J N | 27K | 1 |
| R108R R109R R110R R111R | 3009332973 | RES CF 3.3K 1/5W J N | 3.3K | 4 |
| R150R | 3009391973 | RES CF 390 1/5W J N | 390 | 1 |
| R129R R136R | 3039479575-T | RES MO 4.7 2W J RADIAL | 4.7 2W | 2 |
| R03R R04R R05R R06R | 3002100953 | RES CF 10K 1/5W F N | 10K | 4 |
| R145R R147R | 3009472973 | RES CF 4.7K 1/5W J N | 4.7K | 2 |
| R121R | 3009471973 | RES CF 470 1/5W J N | 470 | 1 |
| R114R R115R R116R R117R | 3009470973 | RES CF 47 1/5W J N | 47 | 4 |
| R01R R02R | 3009473973 | RES CF 47K 1/5W J N | 47K | 2 |
| R154R R157R | 3009102973 | RES CF 1K 1/5W J N | 1K | 2 |
| R151R | 3009561973 | RES CF 560 1/5W J N | 560 | 1 |
| R102R | 3009563973 | RES CF 56K 1/5W J N | 56K | 1 |
| R156R | 3009303973 | RES CF 30K 1/5W J N | 30K | 1 |
| R104R R105R | 3009683973 | RES CF 68K 1/5W J N | 68K | 2 |
| R125R R126R | 3002100953 | RES CF 10K 1/5W F N | 10K | 2 |
| R149R | 3009183973 | RES CF 18K 1/5W J N | 18K | 1 |
| SVR1R | 3248347120-T | RES SEMI RH063MCS2R | 470B | 1 |
| S3 | 4618001110 | SW SV10020-0202-9T-SN | SLIDE SW | 1 |
| TP1 | | | | 1 |
| TP2 | | | TP | 1 |
| Q112R | 2028407990 | KTC4370A-Y-U | 2SC 4370A | 1 |
| Q116R Q176R Q186R | 2028407122 | TR NPN 2SC5200 TOSHIBA | 5200 | 3 |
| Q103R Q104R Q120R | 2008606108-T | KTC3200-BL-AT | C3200 | 3 |
| Q107R | 2028407990 | KTC4370A-Y-U | C4370 | 1 |
| Q109R | 2008405999 | TR NPN 2SC4001 NEC | C4001 | 1 |
| Q102R Q110R Q121R | 2008606104-T | TR NPN KTC3198-Y-AT TO-92 | KTC 3198Y | 3 |
| Q101R Q111R | 2008606105-T | TR NPN KTA1266-Y-AT TO-92 | 2SA 1266GR | 2 |
| Q113R | 2028107984 | KTA1659A-Y-U | 2SA 1659A | 1 |
| Q105R Q106R | 2008206106-T | KTA2400-GR-AT | 2400 | 2 |
| Q117R Q177R Q187R | 2028107118 | TR PNP 2SA1943 TOSHIBA | 1943 | 3 |
| Q122R Q123R | 2008206105-T | TR PNP KTA1268-GR-AT TO-92 | KTA 1268 | 2 |
| Q108R | 2008005999 | TR NPN 2SC4001 NEC | A1546 | 1 |
| D301R D302R | 2058502150 | DIODE ZENER UZ-15BM(1N5245B) | UZ 15BM 1W | 2 |

OUTPUT B'D (C4008499930)

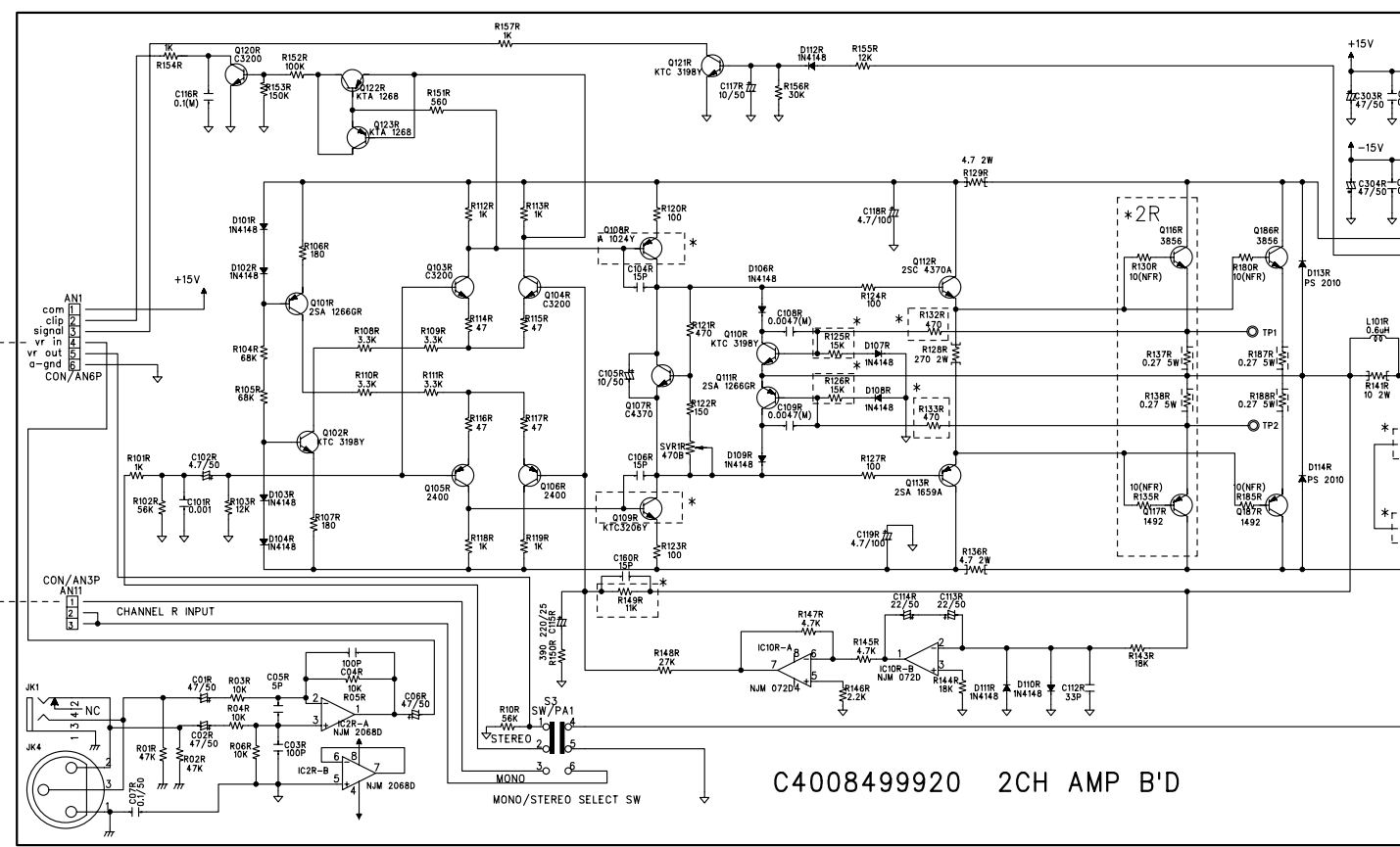
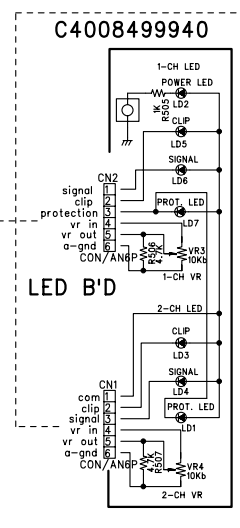
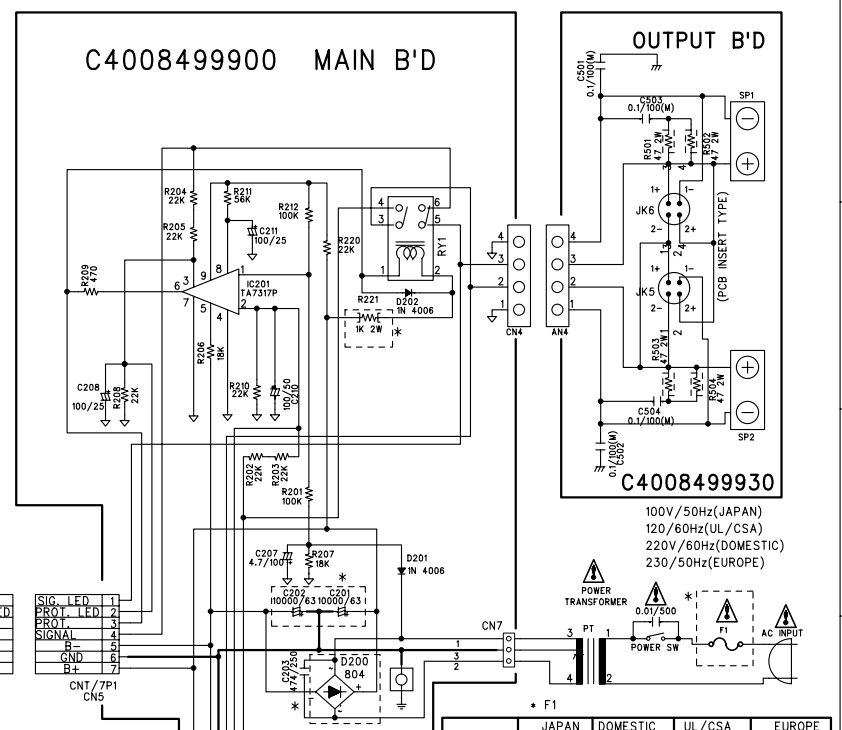
| | | | | |
|----------|--------------|--------------------------------|--------------|---|
| JK5-6 | 4438091710 | JACK SPEAKON (PCB INSERT TYPE) | JACK SPEAKON | 2 |
| C501-504 | 3609104122-T | CAP MA 0.1UF 100V J SMALL | 0.1/100(M) | 4 |
| R501-504 | 3039470575-T | RES MO 47 2W J RADIAL | 47 2W | 4 |
| SP1 | 4438190410 | BINDING POST(2P) | BINDING POST | 1 |
| SP2 | 4438190420 | BINDING POST(2P) | BINDING POST | 1 |
| AN4 | 4355465007 | CON ASS'Y 4P JST | WAFHW4P3.96 | 1 |

LED B'D (C4008499940)

| | | | | |
|-----------------|------------|--------------------------|-----------|---|
| CN1-2 | 4428595006 | LW5267/LWB0640/2.5MM-06P | 6P | 2 |
| GND2 | 6505958210 | GND TERMINAL | GND PLATE | 1 |
| LD4 | 2300032105 | LED LTL-1CHG-021A LITEON | LED GRE | 1 |
| LD1 LD3 LD5 LD7 | 2300030105 | LED LTL-1CHE-021A LITEON | LED RED | 4 |
| LD6 | 2300032105 | LED LTL-1CHG-021A LITEON | LED GRE | 1 |
| LD2 | 2300032105 | LED LTL-1CHG-021A LITEON | LED GRN | 1 |
| R505 | 3009102973 | RES CF 1K 1/5W J N | 1K | 1 |
| R506-507 | 3009472973 | RES CF 4.7K 1/5W J N | 4.7K | 2 |
| VR3-4 | 3228070100 | VR RK16311E0Z0113B | 10Kb | 2 |



R 150 PLUS



* POWER TR INSERT PART

| | | |
|------------|--------------|--------------------|
| R 150 PLUS | A1943, C5200 | *2L*2R |
| R 300 PLUS | A1492, C3856 | *2L*2R*3L*3R |
| R 500 PLUS | A1943, C5200 | *1L*1R*2L*2R*3L*3R |

* RESISTANCE VALUE

| | R149L, R149R | R125R, R126R, R125L, R126L | R221 | R301R, R302R, R301L, R302L |
|------------|--------------|----------------------------|---------|----------------------------|
| R 150 PLUS | 9.1K 1/5W | 11K | 680 2W | RES CE 2.2K 5W R |
| R 300 PLUS | 11K 1/5W | 15K | 15K | RES CE 2.7K 5W R |
| R 500 PLUS | 18K 1/5W | 10K | 1.5K 2W | RES CE 3K 5W R |

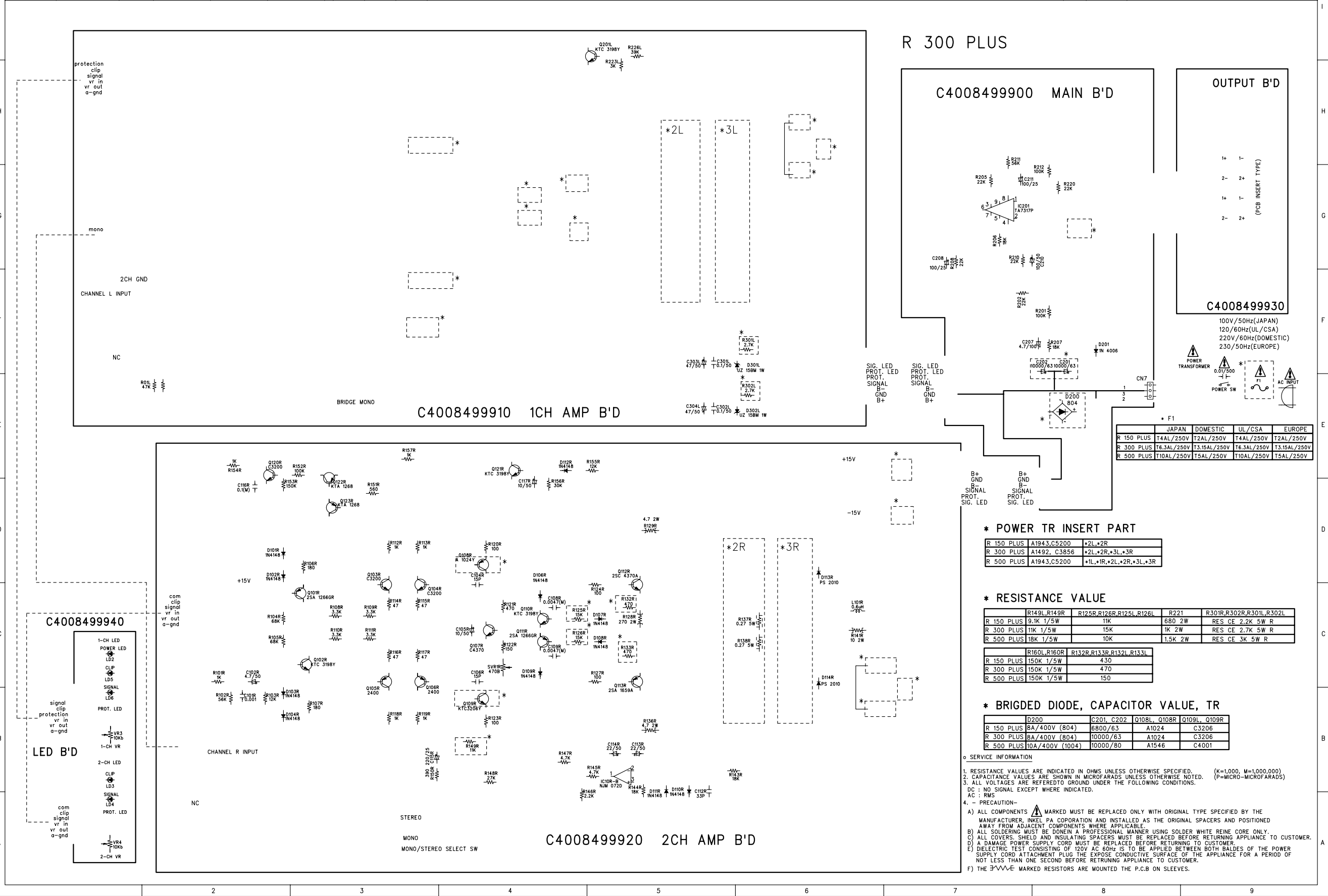
| | R160L, R160R | R132R, R133R, R132L, R133L |
|------------|--------------|----------------------------|
| R 150 PLUS | 150K 1/5W | 430 |
| R 300 PLUS | 150K 1/5W | 470 |
| R 500 PLUS | 150K 1/5W | 150 |

* BRIGDED DIODE, CAPACITOR VALUE, TR

| | D200 | C201, C202 | Q108L, Q108R | Q109L, Q109R |
|------------|-----------------|------------|--------------|--------------|
| R 150 PLUS | 8A/400V (804) | 6800/63 | A1024 | C3206 |
| R 300 PLUS | 8A/400V (804) | 10000/63 | A1024 | C3206 |
| R 500 PLUS | 10A/400V (1004) | 10000/80 | A1546 | C4001 |

o SERVICE INFORMATION

1. RESISTANCE VALUES ARE INDICATED IN OHMS UNLESS OTHERWISE SPECIFIED. (K=1,000, M=1,000,000)
2. CAPACITANCE VALUES ARE SHOWN IN MICROFARADS UNLESS OTHERWISE NOTED. (P=MICRO-MICROFARADS)
3. ALL VOLTAGES ARE REFERRED TO GROUND UNDER THE FOLLOWING CONDITIONS.
4. - PRECAUTION-
 - A) ALL COMPONENTS MARKED MUST BE REPLACED ONLY WITH ORIGINAL TYPE SPECIFIED BY THE MANUFACTURER, INLET PA COPORATION AND INSTALLED AS THE ORIGINAL SPACERS AND POSITIONED AWAY FROM ADJACENT COMPONENTS WHERE APPLICABLE.
 - B) ALL SOLDERING MUST BE DONE IN A PROFESSIONAL MANNER USING SOLDER WHITE REINE CORE ONLY.
 - C) ALL COVERS, SHIELD AND INSULATING SPACERS MUST BE REPLACED BEFORE RETURNING APPLIANCE TO CUSTOMER.
 - D) A DAMAGE POWER SUPPLY CORD MUST BE REPLACED BEFORE RETURNING TO CUSTOMER.
 - E) DIELECTRIC TEST CONSISTING OF 120V AC 60Hz IS TO BE APPLIED BETWEEN BOTH BALDES OF THE POWER SUPPLY CORD ATTACHMENT PLUG THE EXPOSE CONDUCTIVE SURFACE OF THE APPLIANCE FOR A PERIOD OF NOT LESS THAN ONE SECOND BEFORE RETURNING APPLIANCE TO CUSTOMER.
 - F) THE WAVE MARKED RESISTORS ARE MOUNTED THE P.C.B ON SLEEVES.



*** POWER TR INSERT PART**

| | | |
|------------|--------------|------------------------------|
| R 150 PLUS | A1943, C5200 | *2L, *2R |
| R 300 PLUS | A1492, C3856 | *2L, *2R, *3L, *3R |
| R 500 PLUS | A1943, C5200 | *1L, *1R, *2L, *2R, *3L, *3R |

*** RESISTANCE VALUE**

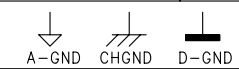
| | R149L, R149R | R125R, R126R, R125L, R126L | R221 | R301R, R302R, R301L, R302L |
|------------|--------------|----------------------------|---------|----------------------------|
| R 150 PLUS | 9.1K 1/5W | 11K | 680 2W | RES CE 2.2K 5W R |
| R 300 PLUS | 11K 1/5W | 15K | 1K 2W | RES CE 2.7K 5W R |
| R 500 PLUS | 18K 1/5W | 10K | 1.5K 2W | RES CE 3K 5W R |

| | R160L, R160R | R132R, R133R, R132L, R133L |
|------------|--------------|----------------------------|
| R 150 PLUS | 150K 1/5W | 430 |
| R 300 PLUS | 150K 1/5W | 470 |
| R 500 PLUS | 150K 1/5W | 150 |

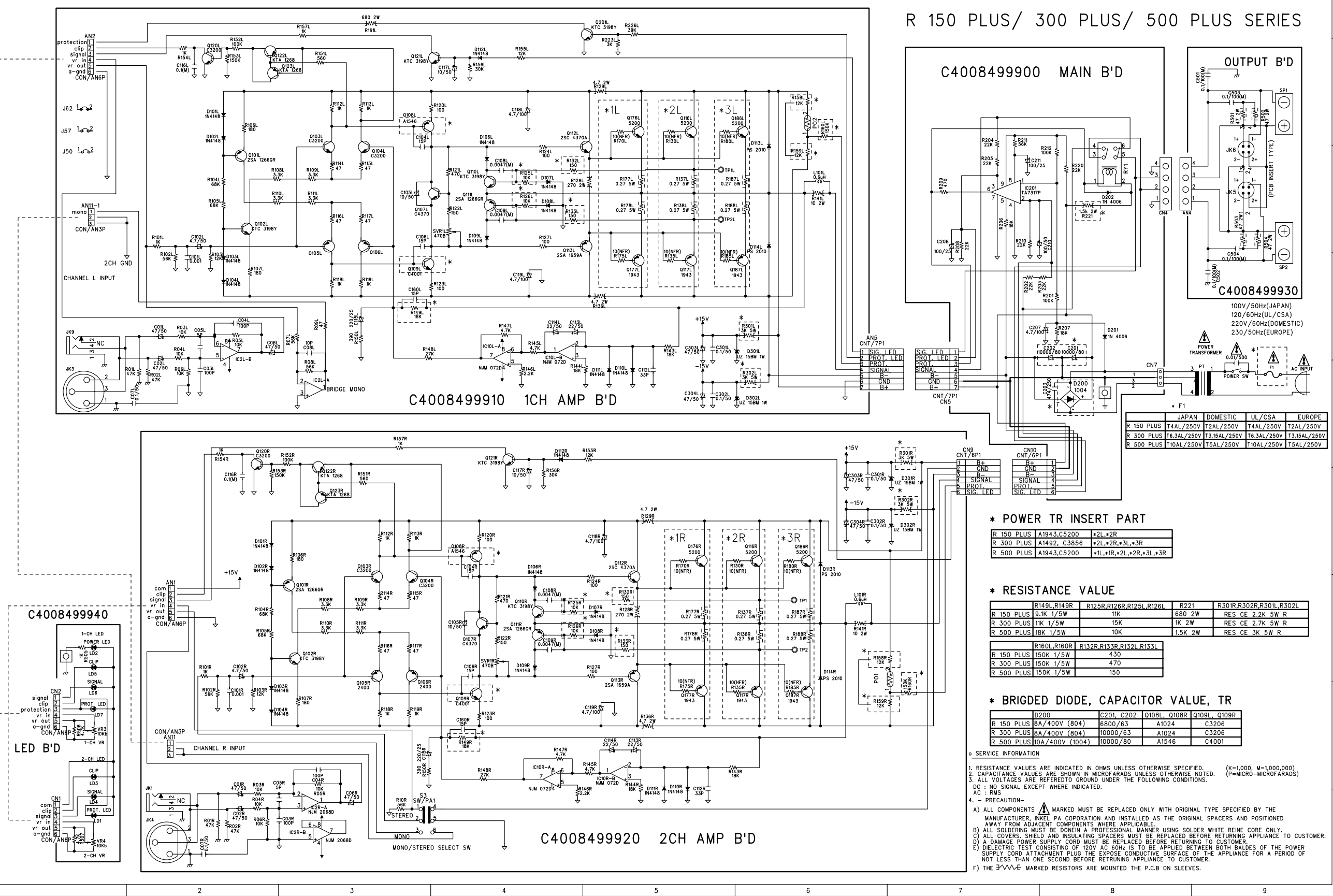
*** BRIGDED DIODE, CAPACITOR VALUE, TR**

| | D200 | C201, C202 | Q108L, Q108R | Q109L, Q109R |
|------------|-----------------|------------|--------------|--------------|
| R 150 PLUS | 8A/400V (804) | 6800/63 | A1024 | C3206 |
| R 300 PLUS | 8A/400V (804) | 10000/63 | A1024 | C3206 |
| R 500 PLUS | 10A/400V (1004) | 10000/80 | A1546 | C4001 |

- o SERVICE INFORMATION**
- RESISTANCE VALUES ARE INDICATED IN OHMS UNLESS OTHERWISE SPECIFIED. (K=1,000, M=1,000,000)
 - CAPACITANCE VALUES ARE SHOWN IN MICROFARADS UNLESS OTHERWISE NOTED. (P=MICRO-MICROFARADS)
 - ALL VOLTAGES ARE REFERRED TO GROUND UNDER THE FOLLOWING CONDITIONS.
DC : NO SIGNAL EXCEPT WHERE INDICATED.
AC : RMS
 - PRECAUTION-
A) ALL COMPONENTS MARKED MUST BE REPLACED ONLY WITH ORIGINAL TYPE SPECIFIED BY THE MANUFACTURER, INTEL PA COPORATION AND INSTALLED AS THE ORIGINAL SPACERS AND POSITIONED AWAY FROM ADJACENT COMPONENTS WHERE APPLICABLE.
B) ALL SOLDERING MUST BE DONE IN A PROFESSIONAL MANNER USING SOLDER WHITE REINE CORE ONLY.
C) ALL COVERS, SHIELD AND INSULATING SPACERS MUST BE REPLACED BEFORE RETURNING APPLIANCE TO CUSTOMER.
D) A DAMAGE POWER SUPPLY CORD MUST BE REPLACED BEFORE RETURNING TO CUSTOMER.
E) DIELECTRIC TEST CONSISTING OF 120V AC 60Hz IS TO BE APPLIED BETWEEN BOTH BALDES OF THE POWER SUPPLY CORD ATTACHMENT PLUG THE EXPOSE CONDUCTIVE SURFACE OF THE APPLIANCE FOR A PERIOD OF NOT LESS THAN ONE SECOND BEFORE RETRUNING APPLIANCE TO CUSTOMER.
F) THE WAVE MARKED RESISTORS ARE MOUNTED THE P.C.B ON SLEEVES.



R 150 PLUS/ 300 PLUS/ 500 PLUS SERIES



| | JAPAN | DOMESTIC | UL/CSA | EUROPE |
|------------|-------------|--------------|-------------|--------------|
| R 150 PLUS | T4AL/250V | T2AL/250V | T4AL/250V | T2AL/250V |
| R 300 PLUS | T6.3AL/250V | T3.15AL/250V | T6.3AL/250V | T3.15AL/250V |
| R 500 PLUS | T10AL/250V | T5AL/250V | T10AL/250V | T5AL/250V |

*** POWER TR INSERT PART**

| | | |
|------------|--------------|------------------------|
| R 150 PLUS | A1943, C5200 | *2L*2R |
| R 300 PLUS | A1492, C3856 | *2L*2R*3L*3R |
| R 500 PLUS | A1943, C5200 | *1L*1R, *2L*2R, *3L*3R |

*** RESISTANCE VALUE**

| | R149L, R149R | R125R, R126R, R125L, R126L | R221 | R301R, R302R, R301L, R302L |
|------------|--------------|----------------------------|---------|----------------------------|
| R 150 PLUS | 9.1K 1/5W | 11K | 680 2W | RES CE 2.2K 5W R |
| R 300 PLUS | 11K 1/5W | 15K | 15K | RES CE 2.2K 5W R |
| R 500 PLUS | 18K 1/5W | 10K | 1.5K 2W | RES CE 3K 5W R |

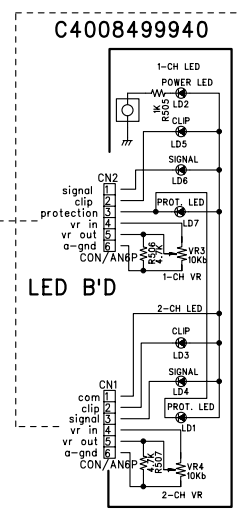
| | R160L, R160R | R132R, R133R, R132L, R133L |
|------------|--------------|----------------------------|
| R 150 PLUS | 150K 1/5W | 430 |
| R 300 PLUS | 150K 1/5W | 470 |
| R 500 PLUS | 150K 1/5W | 150 |

*** BRIGDED DIODE, CAPACITOR VALUE, TR**

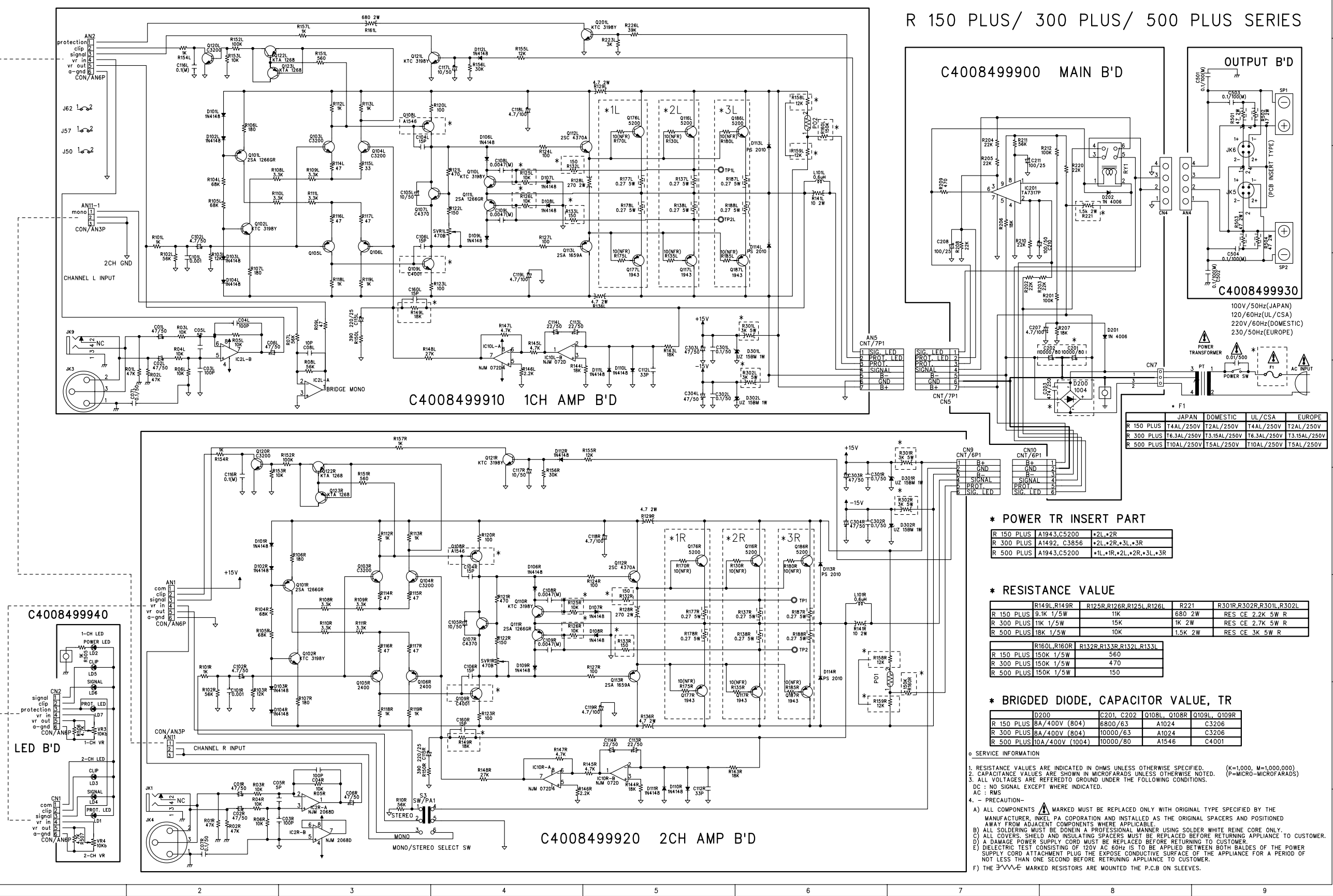
| | D200 | C201, C202 | Q108L, Q108R | Q109L, Q109R |
|------------|-----------------|------------|--------------|--------------|
| R 150 PLUS | 8A/400V (804) | 6800/63 | A1024 | C3206 |
| R 300 PLUS | 8A/400V (804) | 10000/63 | A1024 | C3206 |
| R 500 PLUS | 10A/400V (1004) | 10000/80 | A1546 | C4001 |

SERVICE INFORMATION

- RESISTANCE VALUES ARE INDICATED IN OHMS UNLESS OTHERWISE SPECIFIED. (K=1,000, M=1,000,000)
- CAPACITANCE VALUES ARE SHOWN IN MICROFARADS UNLESS OTHERWISE NOTED. (P=MICRO-MICROFARADS)
- ALL VOLTAGES ARE REFERRED TO GROUND UNDER THE FOLLOWING CONDITIONS.
 - DC : NO SIGNAL EXCEPT WHERE INDICATED.
 - AC : RMS
- PRECAUTION-
 - A) ALL COMPONENTS MARKED MUST BE REPLACED ONLY WITH ORIGINAL TYPE SPECIFIED BY THE MANUFACTURER, INKEL PA COPORATION AND INSTALLED AS THE ORIGINAL SPACERS AND POSITIONED AWAY FROM ADJACENT COMPONENTS WHERE APPLICABLE.
 - B) ALL SOLDERING MUST BE DONE IN A PROFESSIONAL MANNER USING SOLDER WHITE REINE CORE ONLY.
 - C) ALL COVERS, SHIELD AND INSULATING SPACERS MUST BE REPLACED BEFORE RETURNING APPLIANCE TO CUSTOMER.
 - D) A DAMAGE POWER SUPPLY CORD MUST BE REPLACED BEFORE RETURNING TO CUSTOMER.
 - E) DIELECTRIC TEST CONSISTING OF 120V AC 60Hz IS TO BE APPLIED BETWEEN BOTH BALDES OF THE POWER SUPPLY CORD ATTACHMENT PLUG THE EXPOSE CONDUCTIVE SURFACE OF THE APPLIANCE FOR A PERIOD OF NOT LESS THAN ONE SECOND BEFORE RETURNING APPLIANCE TO CUSTOMER.
 - F) THE WAVE MARKED RESISTORS ARE MOUNTED THE P.C.B ON SLEEVES.



R 150 PLUS/ 300 PLUS/ 500 PLUS SERIES



| | JAPAN | DOMESTIC | UL/CSA | EUROPE |
|------------|-------------|--------------|-------------|--------------|
| R 150 PLUS | T4AL/250V | T2AL/250V | T4AL/250V | T2AL/250V |
| R 300 PLUS | T6.3AL/250V | T3.15AL/250V | T6.3AL/250V | T3.15AL/250V |
| R 500 PLUS | T10AL/250V | T5AL/250V | T10AL/250V | T5AL/250V |

*** POWER TR INSERT PART**

| | | |
|------------|--------------|--------------------|
| R 150 PLUS | A1943, C5200 | *2L*2R |
| R 300 PLUS | A1492, C3856 | *2L*2R*3L*3R |
| R 500 PLUS | A1943, C5200 | *1L*1R*2L*2R*3L*3R |

*** RESISTANCE VALUE**

| | R149L, R149R | R125R, R126R, R125L, R126L | R221 | R301R, R302R, R301L, R302L |
|------------|--------------|----------------------------|---------|----------------------------|
| R 150 PLUS | 9.1K 1/5W | 11K | 680 2W | RES CE 2.2K 5W R |
| R 300 PLUS | 11K 1/5W | 15K | 15K | RES CE 2.2K 5W R |
| R 500 PLUS | 18K 1/5W | 10K | 1.5K 2W | RES CE 3K 5W R |

| | R160L, R160R | R132R, R133R, R132L, R133L |
|------------|--------------|----------------------------|
| R 150 PLUS | 150K 1/5W | 560 |
| R 300 PLUS | 150K 1/5W | 470 |
| R 500 PLUS | 150K 1/5W | 150 |

*** BRIGDED DIODE, CAPACITOR VALUE, TR**

| | D200 | C201, C202 | Q108L, Q108R | Q109L, Q109R |
|------------|-----------------|------------|--------------|--------------|
| R 150 PLUS | 8A/400V (804) | 6800/63 | A1024 | C3206 |
| R 300 PLUS | 8A/400V (804) | 10000/63 | A1024 | C3206 |
| R 500 PLUS | 10A/400V (1004) | 10000/80 | A1546 | C4001 |

o SERVICE INFORMATION

- RESISTANCE VALUES ARE INDICATED IN OHMS UNLESS OTHERWISE SPECIFIED. (K=1,000, M=1,000,000)
- CAPACITANCE VALUES ARE SHOWN IN MICROFARADS UNLESS OTHERWISE NOTED. (P=MICRO-MICROFARADS)
- ALL VOLTAGES ARE REFERRED TO GROUND UNDER THE FOLLOWING CONDITIONS.
 - DC : NO SIGNAL EXCEPT WHERE INDICATED.
 - AC : RMS
- PRECAUTION-
 - A) ALL COMPONENTS MARKED MUST BE REPLACED ONLY WITH ORIGINAL TYPE SPECIFIED BY THE MANUFACTURER, INKEL PA COPORATION AND INSTALLED AS THE ORIGINAL SPACERS AND POSITIONED AWAY FROM ADJACENT COMPONENTS WHERE APPLICABLE.
 - B) ALL SOLDERING MUST BE DONE IN A PROFESSIONAL MANNER USING SOLDER WHITE REINE CORE ONLY.
 - C) ALL COVERS, SHIELD AND INSULATING SPACERS MUST BE REPLACED BEFORE RETURNING APPLIANCE TO CUSTOMER.
 - D) A DAMAGE POWER SUPPLY CORD MUST BE REPLACED BEFORE RETURNING TO CUSTOMER.
 - E) DIELECTRIC TEST CONSISTING OF 120V AC 60Hz IS TO BE APPLIED BETWEEN BOTH BALDES OF THE POWER SUPPLY CORD ATTACHMENT PLUG THE EXPOSE CONDUCTIVE SURFACE OF THE APPLIANCE FOR A PERIOD OF NOT LESS THAN ONE SECOND BEFORE RETURNING APPLIANCE TO CUSTOMER.
 - F) THE WAVE MARKED RESISTORS ARE MOUNTED THE P.C.B ON SLEEVES.