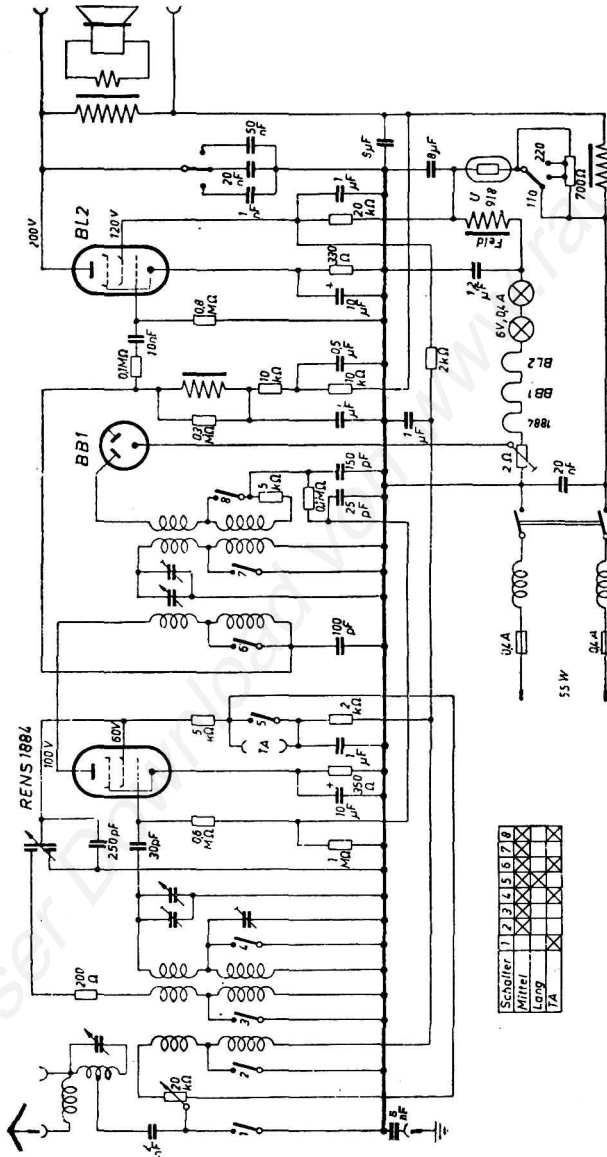


# Schaub **Baden 36 G**



|          |   |   |   |   |   |   |   |   |
|----------|---|---|---|---|---|---|---|---|
| Schalter | 1 | 2 | 3 | 4 | 5 | 6 | 7 | 8 |
| Mittel   | × | × | × | × | × | × | × | × |
| Lang     | × | × | × | × | × | × | × | × |
| TA       | × | × | × | × | × | × | × | × |