

C99	CC41-B-150P-50V ± 5%	C17	CD11-16V-10u ± 20%
C38	CC41-B-220P-50V ± 5%	C18	CD11-16V-10u ± 20%
C39	CC41-B-220P-50V ± 5%	C30	CD11-16V-10u ± 20%
C47	CC41-B-220P-50V ± 5%	C32	CD11-16V-10u ± 20%
C48	CC41-B-220P-50V ± 5%	C34	CD11-16V-10u ± 20%
C61	CC41-B-220P-50V ± 5%	C40	CD11-16V-10u ± 20%
C63	CC41-B-220P-50V ± 5%	C41	CD11-16V-10u ± 20%
C73	CC41-B-220P-50V ± 5%	C42	CD11-16V-10u ± 20%
C75	CC41-B-220P-50V ± 5%	C43	CD11-16V-10u ± 20%
C83	CC41-B-220P-50V ± 5%	C49	CD11-16V-10u ± 20%
C85	CC41-B-220P-50V ± 5%	C50	CD11-16V-10u ± 20%
C19	CC41-B -1000P-50V ± 5%	C51	CD11-16V-10u ± 20%
C21	CC41-B -1000P-50V ± 5%	C52	CD11-16V-10u ± 20%
C33	CC41-B -1000P-50V ± 5%	C53	CD11-16V-10u ± 20%
C35	CC41-B -1000P-50V ± 5%	C54	CD11-16V-10u ± 20%
C97	CC41-B -1000P-50V ± 5%	C58	CD11-16V-10u ± 20%
C98	CC41-B -1000P-50V ± 5%	C70	CD11-16V-10u ± 20%
C102	CC41-B -1000P-50V ± 5%	C82	CD11-16V-10u ± 20%
C103	CC41-B -1000P-50V ± 5%	C95	CD11-16V-10u ± 20%
C44	CC41-B-1800P-50V ± 5%	C96	CD11-16V-10u ± 20%
C45	CC41-B-1800P-50V ± 5%	C100	CD11-16V-10u ± 20%
C55	CC41-B-1800P-50V ± 5%	C101	CD11-16V-10u ± 20%
C57	CC41-B-1800P-50V ± 5%	C6	CD11-16V-47u ± 20%
C2	CC41-Y-0.1u-50V ± 5%	C23	CD11-16V-47u ± 20%
C4	CC41-Y-0.1u-50V ± 5%	C11	CD11-16V-100u ± 20%
C7	CC41-Y-0.1u-50V ± 5%	C16	CD11-16V-100u ± 20%
C8	CC41-Y-0.1u-50V ± 5%	C31	CD11-25V-220u ± 20%
C9	CC41-Y-0.1u-50V ± 5%	C46	CD11-16V-220u ± 20%
C10	CC41-Y-0.1u-50V ± 5%	C28	CD11-16V-470u ± 20%
C24	CC41-Y-0.1u-50V ± 5%	C36	CD11-16V-470u ± 20%
C25	CC41-Y-0.1u-50V ± 5%		
C26	CC41-Y-0.1u-50V ± 5%		
C27	CC41-Y-0.1u-50V ± 5%		
C56	CC41-Y-0.1u-50V ± 5%		
C67	CC41-Y-0.1u-50V ± 5%		
C69	CC41-Y-0.1u-50V ± 5%		
C81	CC41-Y-0.1u-50V ± 5%		
C89	CC41-Y-0.1u-50V ± 5%		
C90	CC41-Y-0.1u-50V ± 5%		
C91	CC41-Y-0.1u-50V ± 5%		
C92	CC41-Y-0.1u-50V ± 5%		
C68	CC41-B-330P-50V ± 5%		
C3	CD11-16V-10u ± 20%		
C5	CD11-16V-10u ± 20%		
		Pef.NO.	PACKAGE.
		Connector	Description code
		CN1	TJC3-12
		CN3	TJC3-12
		CN4	TJC3-2
		CN5	TJC3-4
		CN2	TJC3-10
		CN6	TJC3-11
		CP1	S4-05P
		CP2	AV2-8.4-13P
		CP3	AV4-8.4-13P

CP4	TOSHIBA	178A+AVG2	Pef.NO.	PACKAGE.	Description code
CP5		AV6-8.4-13P	Transistor		
CP6		DLR1131+AVG3	Q1		3904
			Q3		3904
Pef.NO.	PACKAGE.	Description code	Q18		3904
Diode			Q19		3904
D1		1N4148	Q2		SS8550
D2		1N4148	Q4		SS8550
D3		1N4148	Q8		SS8550
D4		1N4148	Q9		SS8050
D5		1N4148	Q10		3906
D6		1N4148	Q11		3906
D7		1N4148	Q12		3906
D8		1N4148	Q13		3906
D9		1N4148	Q14		3906
D10		1N4148	Q15		3906
D11		1N4148			
D12		1N4148			
D13		1N4148	Pef.NO.	PACKAGE.	Description code
D14		1N4148	IC		
D15		1N4148	U1		4558
D16		1N4148	U2		NJM4580
			U3		NJM4558
Pef.NO.	PACKAGE.	Description code	U5		NJM4558
Ferrite Bead			U4		BA7612F
L1	SMT1206	FB	U6		NJM4580
L2	SMT1206	FB			
L3	SMT1206	FB			
L4	SMT1206	FB			
L5	SMT1206	FB			
L6	SMT1206	FB			
L13	SMT1206	FB			
L14	SMT1206	FB			
Pef.NO.	PACKAGE.	Description code			
Inductor					
L7	SMT0805	1.8uH			
L8	SMT0805	1.8Uh			
L9	SMT0805	1.8uH			
L10	SMT0805	1.8uH			
L11	SMT0805	1.8uH			
L12	SMT0805	1.8uH			

IC KEY VOLTAGE REFERENCE LIST

U1 4558

PIN NO.	DC VOLTAGE	PIN NO.	DC VOLTAGE
3	GND	5	GND
4	-12V	8	+12V

U2,U6 NJM4580

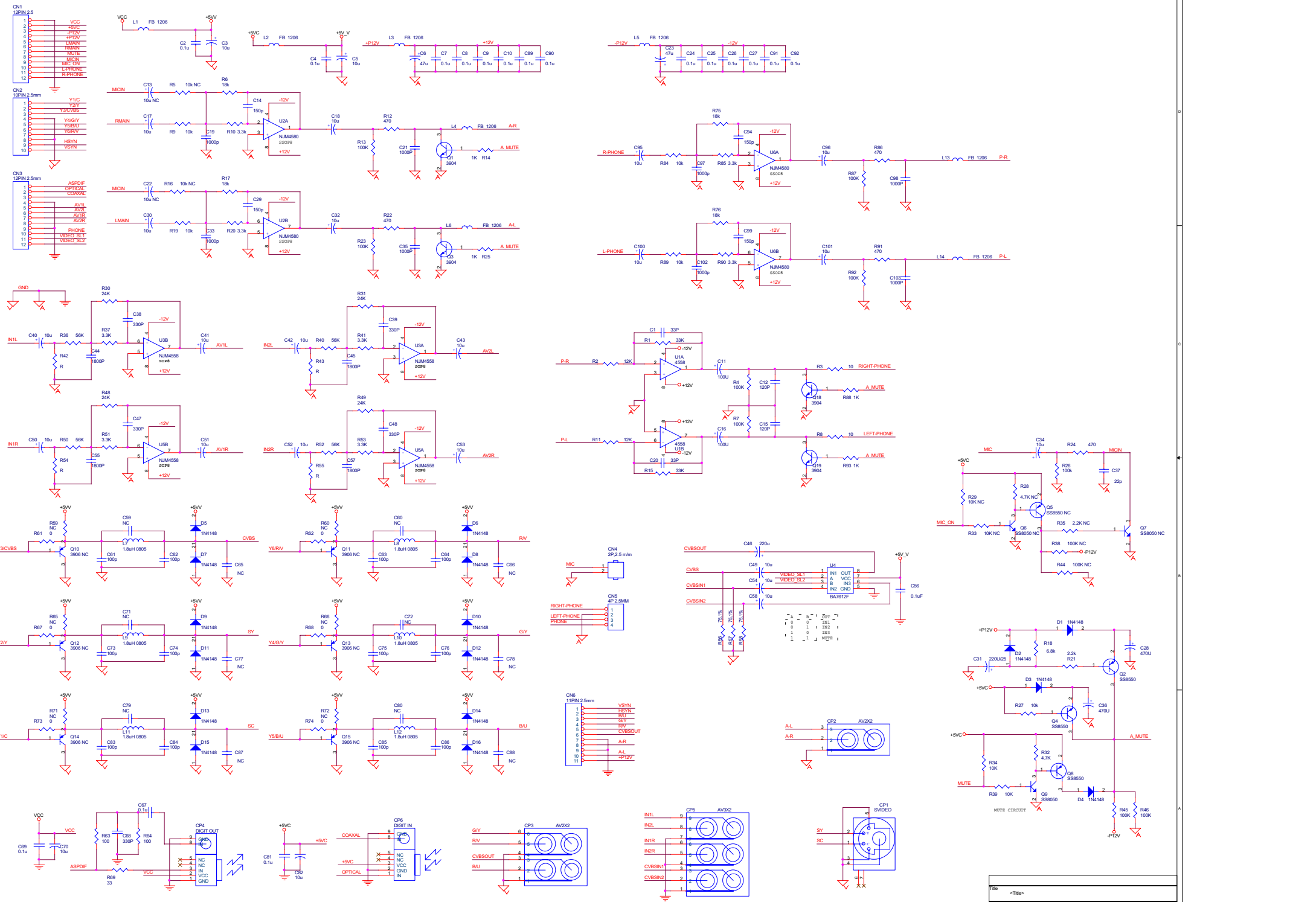
PIN NO.	DC VOLTAGE	PIN NO.	DC VOLTAGE
3	GND	5	GND
4	-12V	8	+12V

U3,U5 NJM4558

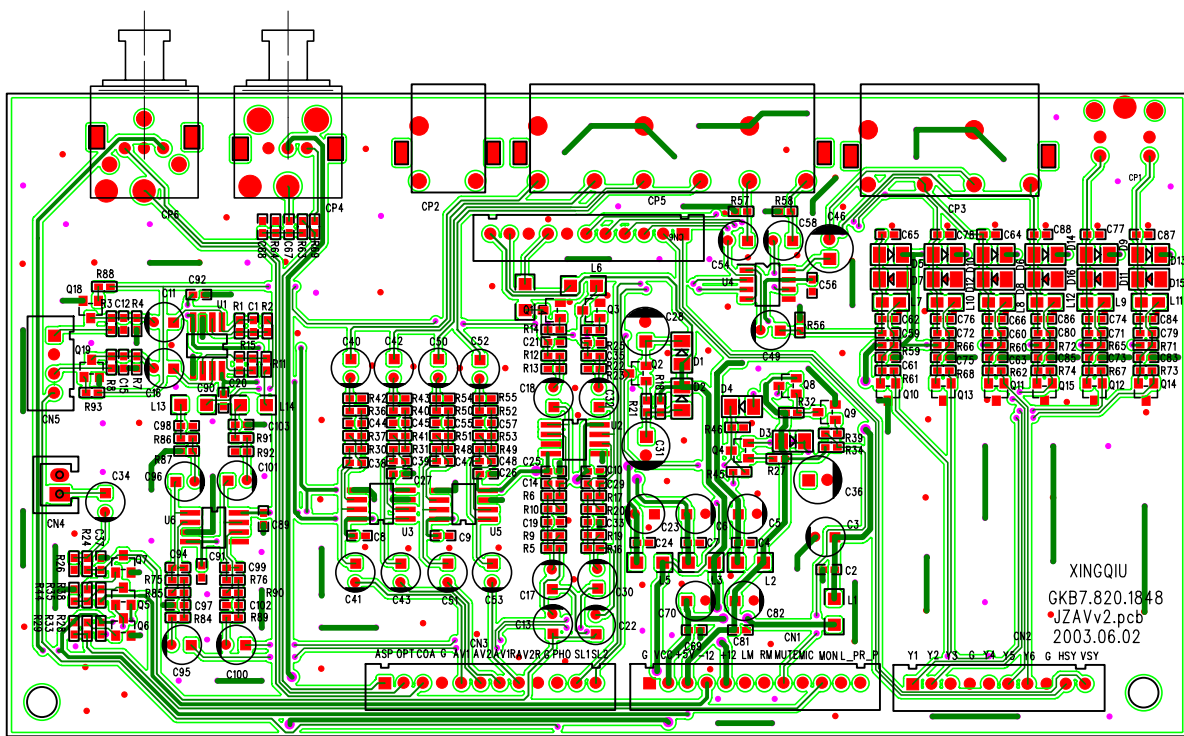
PIN NO.	DC VOLTAGE	PIN NO.	DC VOLTAGE
3	GND	5	GND
4	-12V	8	+12V

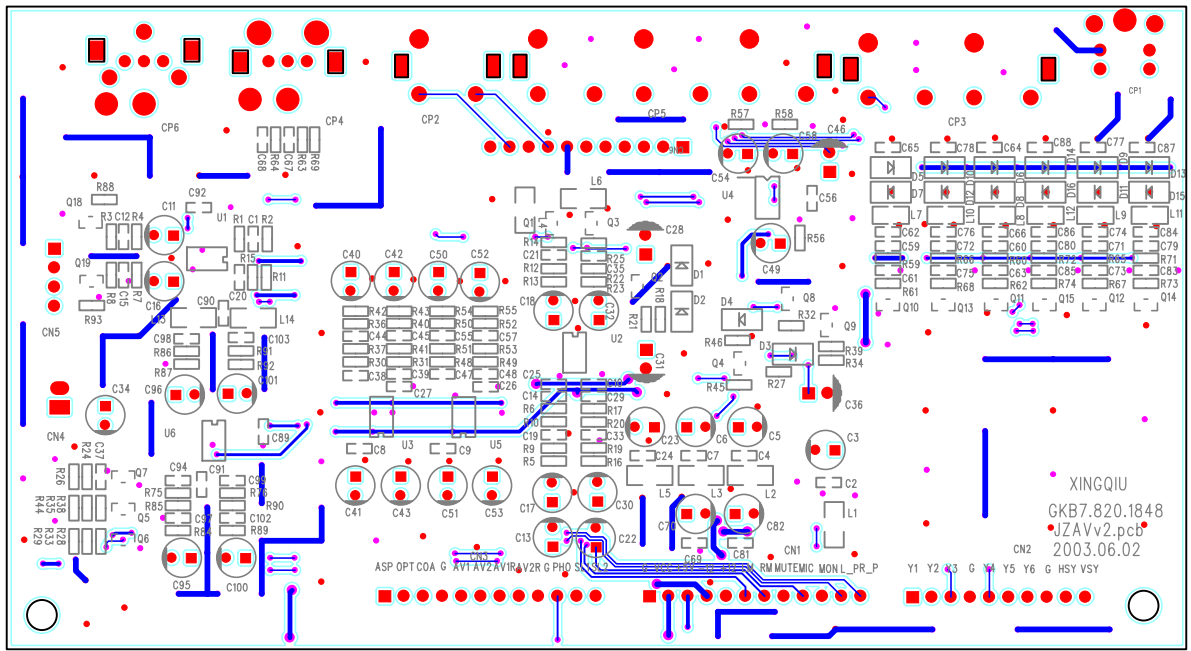
U4 BA7612F

PIN NO.	DC VOLTAGE	PIN NO.	DC VOLTAGE
1	2.6V	7	5V
4	2.6V	8	2.2V
6	2.6V		



Rev	<Title>	Rev
Size	Document Number	<Rev. Doc>
Date	Friday, October 24, 2003	Sheet 1 of 1





**PARTS LIST OF AMPLIFIER
BOARD**

Pef.NO.	PACKAGE.	Description code		
Resist			R82	RC-1206-0.0 $\Omega \pm 5\%$
R10		RC-03-0 $\Omega \pm 5\%$	R83	RC-1206-0.0 $\Omega \pm 5\%$
R24		RC-03-0 $\Omega \pm 5\%$	R84	RC-1206-0.0 $\Omega \pm 5\%$
R46		RC-03-0 $\Omega \pm 5\%$	R85	RC-1206-0.0 $\Omega \pm 5\%$
R16		RC-03-1 $\Omega \pm 5\%$	R17	RC-1206-1.0 $\Omega \pm 5\%$
R21		RC-03-1 $\Omega \pm 5\%$	R61	RC-1206-1.0 $\Omega \pm 5\%$
R28		RC-03-1 $\Omega \pm 5\%$	R8	RC-1206-1.50 $\Omega \pm 1\%$
R35		RC-03-1 $\Omega \pm 5\%$	R11	RC-1206-1.50 $\Omega \pm 1\%$
R40		RC-03-1 $\Omega \pm 5\%$	R22	RC-1206-1.50 $\Omega \pm 1\%$
R43		RC-03-1 $\Omega \pm 5\%$	R25	RC-1206-1.50 $\Omega \pm 1\%$
R48		RC-03-1 $\Omega \pm 5\%$	R29	RC-1206-1.50 $\Omega \pm 1\%$
R53		RC-03-1 $\Omega \pm 5\%$	R32	RC-1206-1.50 $\Omega \pm 1\%$
R54		RC-03-1 $\Omega \pm 5\%$	R44	RC-1206-1.50 $\Omega \pm 1\%$
R62		RC-03-1 $\Omega \pm 5\%$	R47	RC-1206-1.50 $\Omega \pm 1\%$
R86		RC-03-1 $\Omega \pm 5\%$	R51	RC-1206-1.50 $\Omega \pm 1\%$
R87		RC-03-1 $\Omega \pm 5\%$	R57	RC-1206-1.50 $\Omega \pm 1\%$
R88		RC-03-1 $\Omega \pm 5\%$	R72	RC-1206-1.50 $\Omega \pm 1\%$
R89		RC-03-1 $\Omega \pm 5\%$	R73	RC-1206-1.50 $\Omega \pm 1\%$
R15		RC-03-22.1 $\Omega \pm 1\%$	R74	RC-1206-1.50 $\Omega \pm 1\%$
R30		RC-03-49.9 $\Omega \pm 1\%$	R75	RC-1206-1.50 $\Omega \pm 1\%$
R34		RC-03-49.9 $\Omega \pm 1\%$	R76	RC-1206-1.50 $\Omega \pm 1\%$
R39		RC-03-49.9 $\Omega \pm 1\%$	R77	RC-1206-1.50 $\Omega \pm 1\%$
R49		RC-03-49.9 $\Omega \pm 1\%$	R78	RC-1206-1.50 $\Omega \pm 1\%$
R52		RC-03-49.9 $\Omega \pm 1\%$	R79	RC-1206-1.50 $\Omega \pm 1\%$
R70		RC-03-49.9 $\Omega \pm 1\%$	R12	RC-1206-3.3 $\Omega \pm 5\%$
R71		RC-03-49.9 $\Omega \pm 1\%$	R41	RC-1206-3.3 $\Omega \pm 5\%$
R81		RC-03-49.9 $\Omega \pm 1\%$	R55	RC-1206-3.3 $\Omega \pm 5\%$
R2		RC-03-221 $\Omega \pm 1\%$	R56	RC-1206-3.3 $\Omega \pm 5\%$
R1		RC-03-4.99K $\pm 1\%$	R63	RC-1206-3.3 $\Omega \pm 5\%$
R3		RC-03-4.99K $\pm 1\%$	R14	RC-1206-4.7 $\Omega \pm 5\%$
R5		RC-03-4.99K $\pm 1\%$	R18	RC-1206-1.91K $\pm 1\%$
R6		RC-03-4.99K $\pm 1\%$	R23	RC-1206-1.91K $\pm 1\%$
R7		RC-03-4.99K $\pm 1\%$	R31	RC-1206-1.91K $\pm 1\%$
R64		RC-03-4.99K $\pm 1\%$	R37	RC-1206-1.91K $\pm 1\%$
R27		RC-03-5.11K $\pm 1\%$	R9	RC-1206-2.00K $\pm 1\%$
R4		RC-03-10.0K $\pm 1\%$	R19	RC-1206-2.00K $\pm 1\%$
R20		RC-03-42.2K $\pm 1\%$	R26	RC-1206-2.00K $\pm 1\%$
R90		RC-03-100K $\pm 5\%$	R33	RC-1206-2.00K $\pm 1\%$
			R38	RC-1206-2.00K $\pm 1\%$
			R42	RC-1206-10.0K $\pm 1\%$
			R45	RC-1206-10.0K $\pm 1\%$
			R50	RC-1206-10.0K $\pm 1\%$
			R69	RC-1206-10.0K $\pm 1\%$
			R13	RC-1206-20.0K $\pm 10\%$

R58	RC-1206-20.0K ± 10%	C27	SMT1206	CC41-Y-0.033u-50V ± 5%
R59	RC-1206-20.0K ± 10%	C30	SMT1206	CC41-Y-0.033u-50V ± 5%
R60	RC-1206-20.0K ± 10%	C51	SMT1206	CC41-Y-0.033u-50V ± 5%
R65	RC-1206-20.0K ± 10%	C56	SMT1206	CC41-Y-0.033u-50V ± 5%
R66	RC-1206-20.0K ± 10%	C58	SMT1206	CC41-Y-0.033u-50V ± 5%
R67	RC-1206-20.0K ± 10%	C61	SMT1206	CC41-Y-0.033u-50V ± 5%
R68	RC-1206-20.0K ± 10%	C3	SMT1206	CC41-Y-0.1u-50V ± 5%
R80	RT13-2W-150 Ω ± 5%	C14	SMT1206	CC41-Y-0.1u-50V ± 5%

Pef.NO. PACKAGE. Description code
Capacitor

C12	SMT0603	CC41-B-220P-50V ± 5%	C31	SMT1206	CC41-Y-0.1u-50V ± 5%
C13	SMT0603	CC41-B-220P-50V ± 5%	C36	SMT1206	CC41-Y-0.1u-50V ± 5%
C1	SMT0603	CC41-B-4700P-50V ± 5%	C40	SMT1206	CC41-Y-0.1u-50V ± 5%
C4	SMT0603	CC41-Y-0.01u-50V ± 5%	C43	SMT1206	CC41-Y-0.1u-50V ± 5%
C17	SMT0603	CC41-Y-0.01u-50V ± 5%	C46	SMT1206	CC41-Y-0.1u-50V ± 5%
C25	SMT0603	CC41-Y-0.01u-50V ± 5%	C48	SMT1206	CC41-Y-0.1u-50V ± 5%
C34	SMT0603	CC41-Y-0.01u-50V ± 5%	C52	SMT1206	CC41-Y-0.1u-50V ± 5%
C42	SMT0603	CC41-Y-0.01u-50V ± 5%	C54	SMT1206	CC41-Y-0.1u-50V ± 5%
C45	SMT0603	CC41-Y-0.01u-50V ± 5%	C55	SMT1206	CC41-Y-0.1u-50V ± 5%
C47	SMT0603	CC41-Y-0.01u-50V ± 5%	C59	SMT1206	CC41-Y-0.1u-50V ± 5%
C53	SMT0603	CC41-Y-0.01u-50V ± 5%	C60	SMT1206	CC41-Y-0.1u-50V ± 5%
C63	SMT0603	CC41-Y-0.01u-50V ± 5%	C62	SMT1206	CC41-Y-0.1u-50V ± 5%
C68	SMT0603	CC41-Y-0.01u-50V ± 5%	C66	SMT1206	CC41-Y-0.1u-50V ± 5%
C70	SMT0603	CC41-Y-0.01u-50V ± 5%	C84	SMT1206	CC41-Y-0.1u-50V ± 5%
C82	SMT0603	CC41-Y-0.01u-50V ± 5%	C18	SMT1206	CC41-Y-1.0u-50V ± 5%
C86	SMT0603	CC41-Y-0.01u-50V ± 5%	C32	SMT1206	CC41-Y-1.0u-50V ± 5%
C87	SMT0603	CC41-Y-0.01u-50V ± 5%	C49	SMT1206	CC41-Y-1.0u-50V ± 5%
C88	SMT0603	CC41-Y-0.01u-50V ± 5%	C64	SMT1206	CC41-Y-1.0u-50V ± 5%
C89	SMT0603	CC41-Y-0.01u-50V ± 5%	C73	SMT1206	CC41-Y-1.0u-50V ± 5%
C2	SMT0603	CC41-Y-0.047u-50V ± 5%	C76	SMT1206	CC41-Y-1.0u-50V ± 5%
C6	SMT0603	CC41-Y-0.1u-50V ± 5%	C78	SMT1206	CC41-Y-1.0u-50V ± 5%
C7	SMT0603	CC41-Y-0.1u-50V ± 5%	C50		CL23BI -63/50V- 0.47u ± 10%
C11	SMT0603	CC41-Y-0.1u-50V ± 5%	C83		CL23BI -63/50V- 0.47u ± 10%
C15	SMT0603	CC41-Y-0.1u-50V ± 5%	C16		CL23BI -63/50V- 1.0u ± 10%
C22	SMT0603	CC41-Y-0.1u-50V ± 5%	C24		CL23BI -63/50V- 1.0u ± 10%
C26	SMT0603	CC41-Y-0.1u-50V ± 5%	C33		CL23BI -63/50V- 1.0u ± 10%
C35	SMT0603	CC41-Y-0.1u-50V ± 5%	C41		CL23BI -63/50V- 1.0u ± 10%
C57	SMT0603	CC41-Y-0.1u-50V ± 5%	C5		CD11X-16V-10u ± 20%
C65	SMT0603	CC41-Y-0.1u-50V ± 5%	C10		CD11X-16V-10u ± 20%
C75	SMT0603	CC41-Y-0.1u-50V ± 5%	C74		CD11X-16V-10u ± 20%
C19	SMT1206	CC41-Y-0.033u-50V ± 5%	C77		CD11X-16V-10u ± 20%
C23	SMT1206	CC41-Y-0.033u-50V ± 5%	C8		CD11-35V-470u ± 20%

C9	CD11-35V-470u±20%	PA1	TAS5112DFD
C71	CD11-35V-470u±20%	PA2	TAS5112DFD
C72	CD11-35V-470u±20%	AND1	SN74AHC1G08DBVR
C79	CD11-35V-470u±20%	AND2	SN74AHC1G08DBVR
C80	CD11-35V-470u±20%	VR1	TPS76333DBVR
C81	CD11-35V-470u±20%		
C85	CD11-35V-470u±20%		
C37	CD11-35V-1000u±20%		
C44	CD11-35V-1000u±20%		
C67	CD11-35V-1000u±20%		
C69	CD11-35V-1000u±20%		

Pef.NO. PACKAGE. Description code

Connector

J2		WP12-2 线夹
J1		VH3.96-5
J3		TJC3-14

Pef.NO. PACKAGE. Description code

Diode

CR2	SMT0805	DL4148
CR1		MMSZ5241B-7

Pef.NO. PACKAGE. Description code

Inductor

L1		10uH
L2		10uH
L3		10uH
L4		10uH
L5		10uH
L6		10uH
L7		10uH
L8		10uH

Pef.NO. PACKAGE. Description code

Transistor

Q2		FMMT2222ATA
Q1		FCX619TA

Pef.NO. PACKAGE. Description code

IC

U1		TAS5026APAG
----	--	-------------

IC KEY VOLTANGE REFERENCE LIST

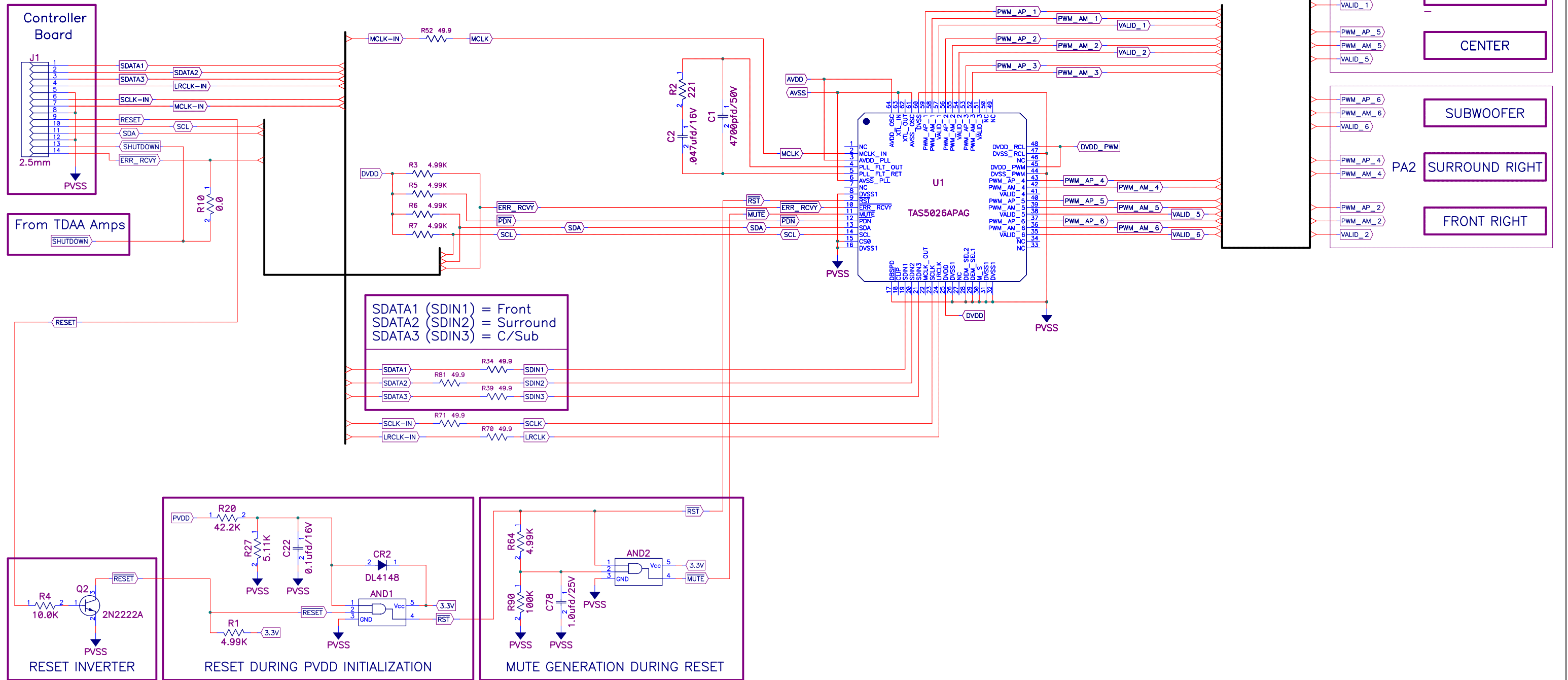
U1 TAS5026APAG

PIN NO.	DC VOLTAGE	PIN NO.	DC VOLTAGE	PIN NO.	DC VOLTAGE	PIN NO.	DC VOLTAGE
2	2.2V	16	GND	37	1.8V	51	3 V
3	3.6V	17	GND	38	3V	52	1.8V
4	2.8V	23	2.2V	39	1.8V	53	1.8V
6	GND	25	3.6V	40	1.8V	54	3V
8	GND	26	GND	41	3V	55	1.8V
9	3.6V	28	GND	42	1.8V	56	1.8V
10	2.4V	29	GND	43	1.8V	57	3V
11	3.6V	30	GND	44	GND	58	1.8V
12	3.6V	31	GND	45	3V	59	1.8V
13	4V	32	GND	46	GND	60	GND
14	5V	35	3V	47	GND	61	3V
15	GND	36	1.8V	48	3V	64	3.6V

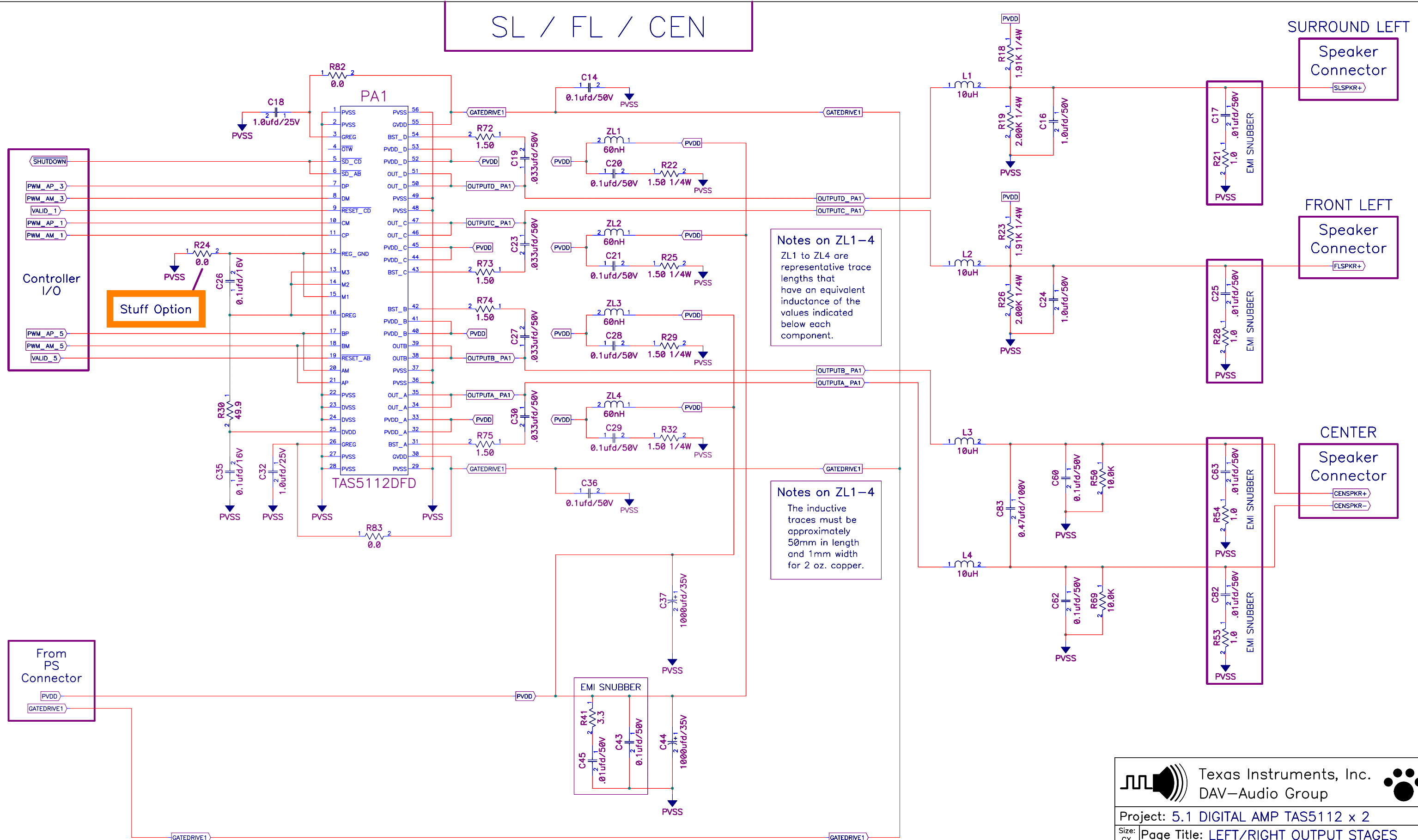
PA1, PA2 TAS5112DFD

PIN NO.	DC VOLTAGE	PIN NO.	DC VOLTAGE	PIN NO.	DC VOLTAGE	PIN NO.	DC VOLTAGE
1	GND	18	1.8V	32	25V	46	14V
2	GND	19	3V	33	25V	47	14V
3	11V	20	1.8V	34	14V	48	GND
5	3.4V	21	1.8V	35	14V	49	GND
6	3.4V	22	GND	36	GND	50	14V
7	1.8 V	23	GND	37	GND	51	14V
8	1.8V	24	GND	38	14V	52	25V
9	3V	25	2.2V	39	14V	53	25V
10	1.8V	26	12V	40	25V	54	24V
11	1.8V	27	GND	41	25V	55	12V
13	3.2V	28	GND	42	23V	56	GND
14	3.2V	29	GND	43	23V		
16	3.2V	30	12V	44	25V		
17	1.8V	31	24V	45	25V		

DIGITAL INPUTS / MODULATOR / PS DECOUPLING



SL / FL / CEN



Stuff Option


Notes on ZL1-4
 ZL1 to ZL4 are representative trace lengths that have an equivalent inductance of the values indicated below each component.

Notes on ZL1-4
 The inductive traces must be approximately 50mm in length and 1mm width for 2 oz. copper.

SURROUND LEFT
Speaker Connector

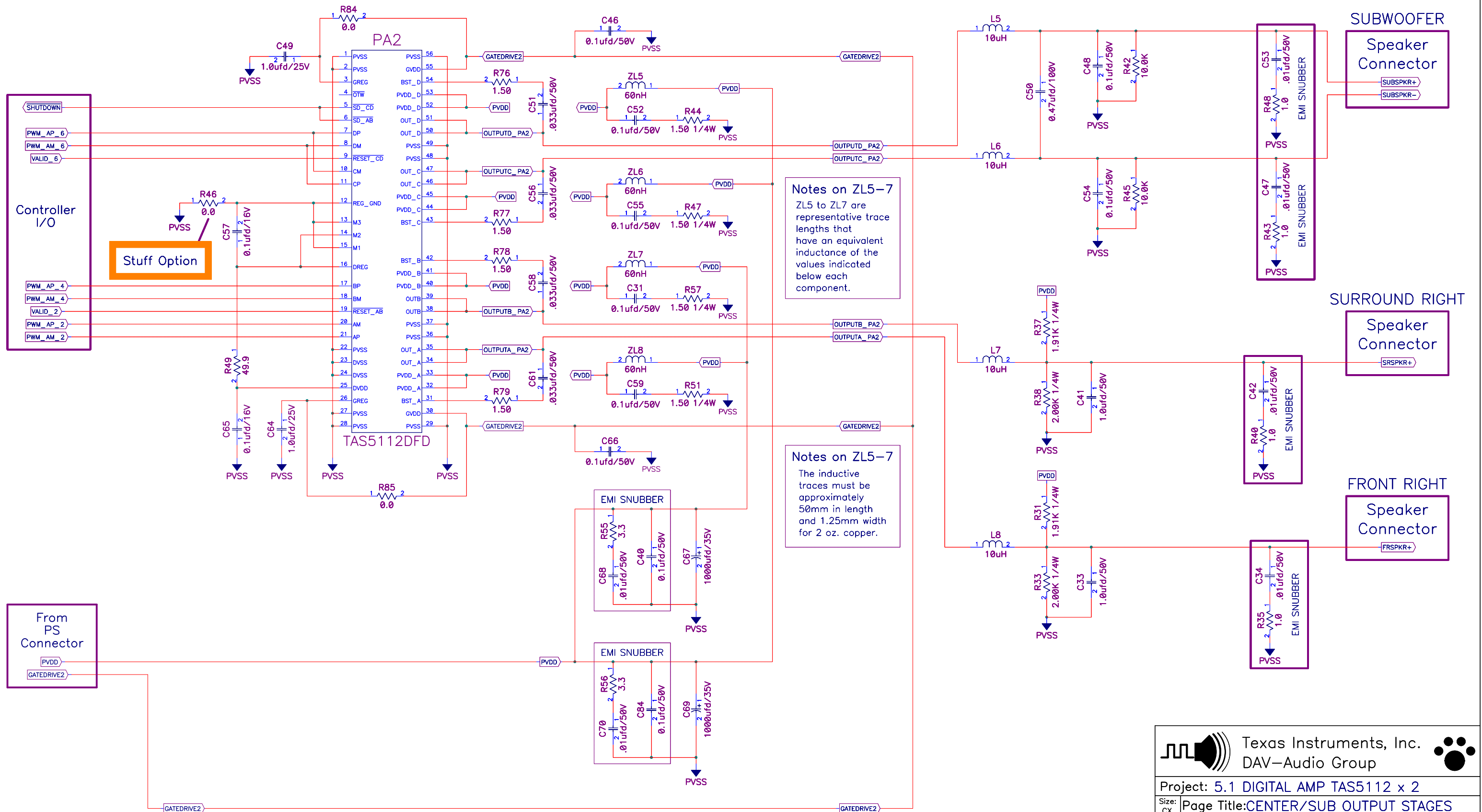
FRONT LEFT
Speaker Connector

CENTER
Speaker Connector


 Texas Instruments, Inc.
 DAV-Audio Group

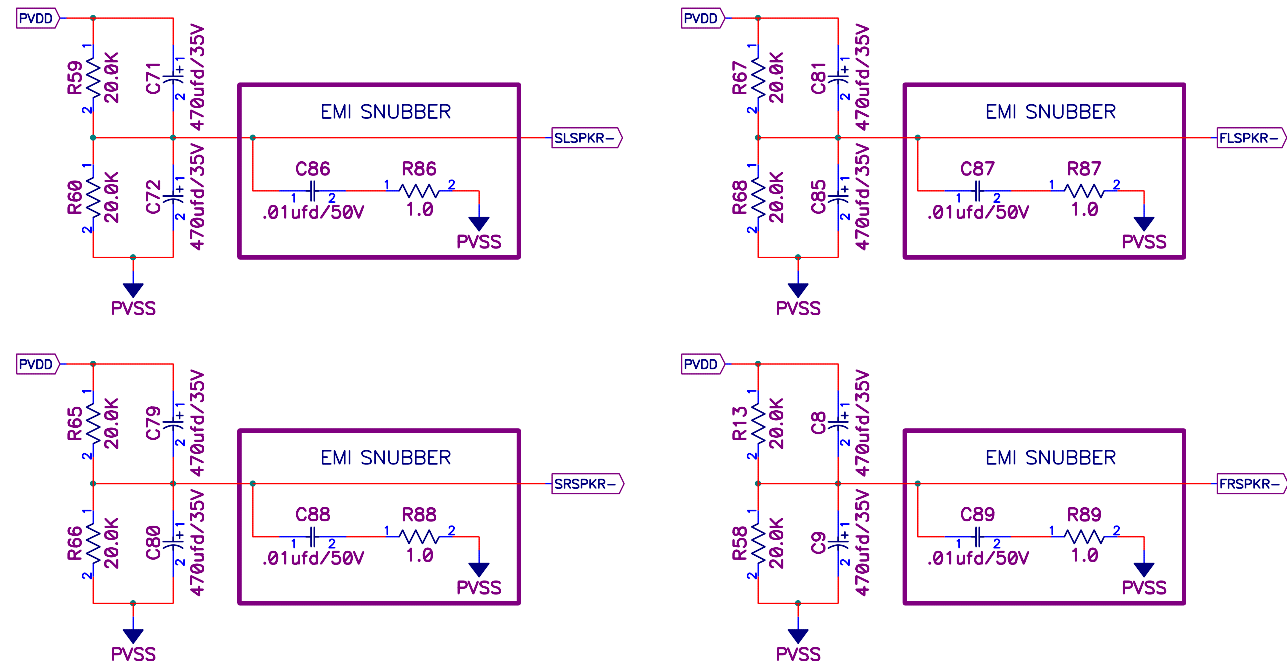
Project: 5.1 DIGITAL AMP TAS5112 x 2
 Size: CX Page Title: LEFT/RIGHT OUTPUT STAGES
 Design Team: FRED SHIPLEY
 Schematic Rev: 0 Mod: 0 PCB Rev: A Sheet 2 of 4
 Save Date: June 6, 2003 Print Date: Fri Jun 06, 2003
 Filename: DAVREF614.sch Drawn By: LDN

SUB / SR / FR

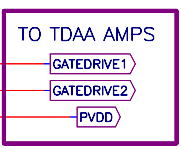
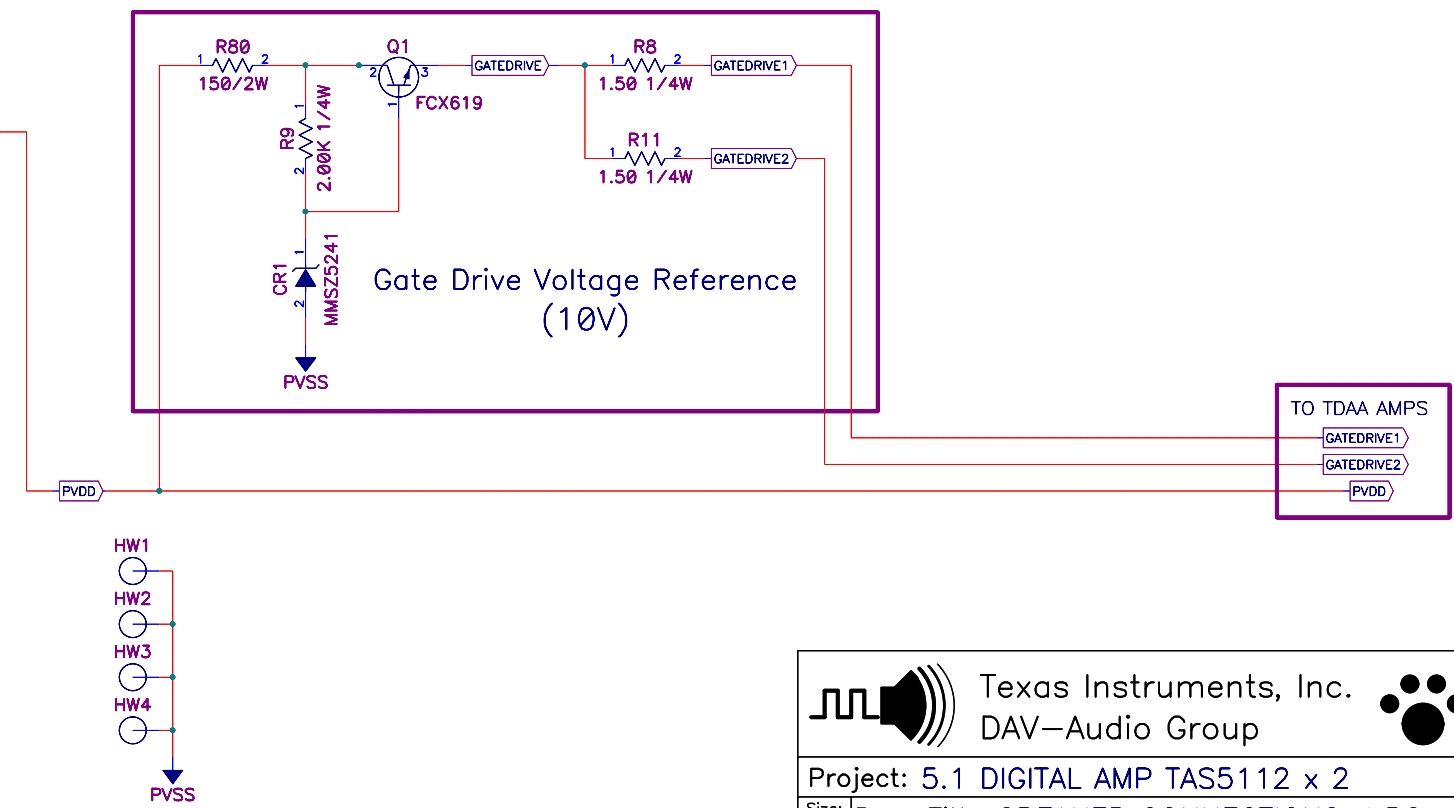
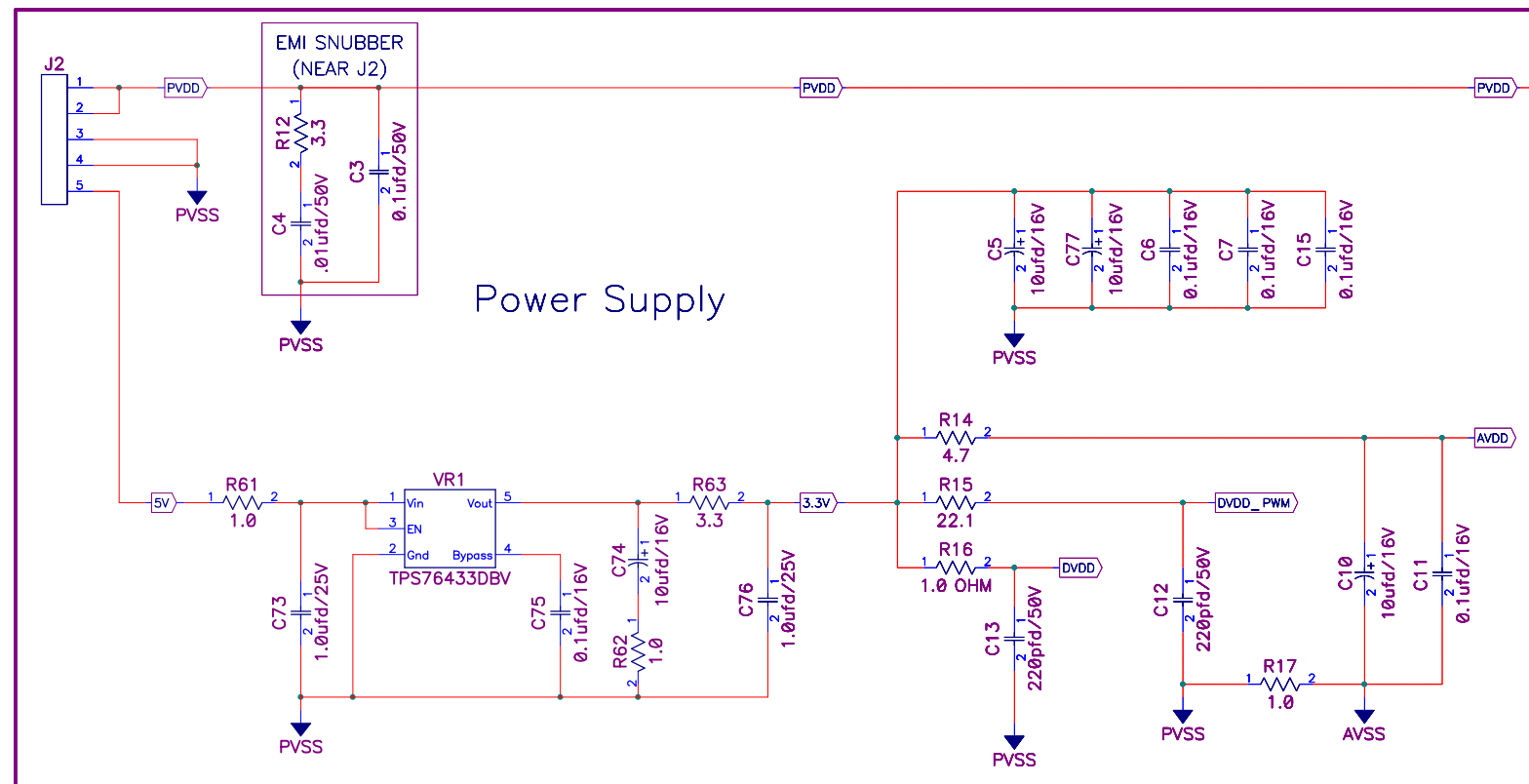
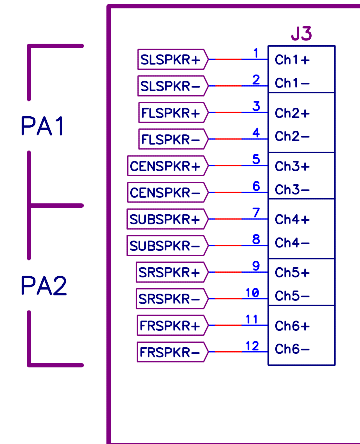


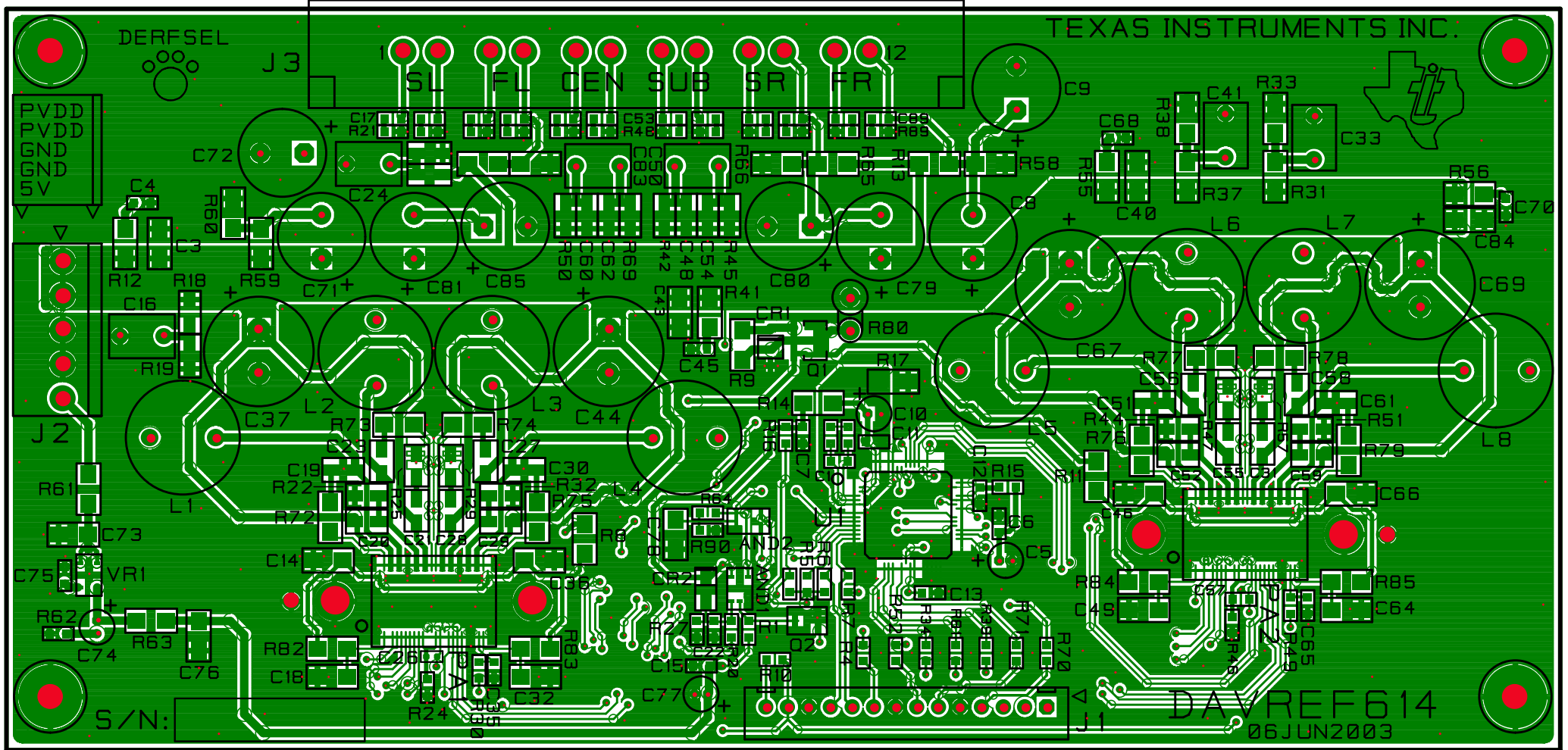
Notes on ZL5-7
 ZL5 to ZL7 are representative trace lengths that have an equivalent inductance of the values indicated below each component.

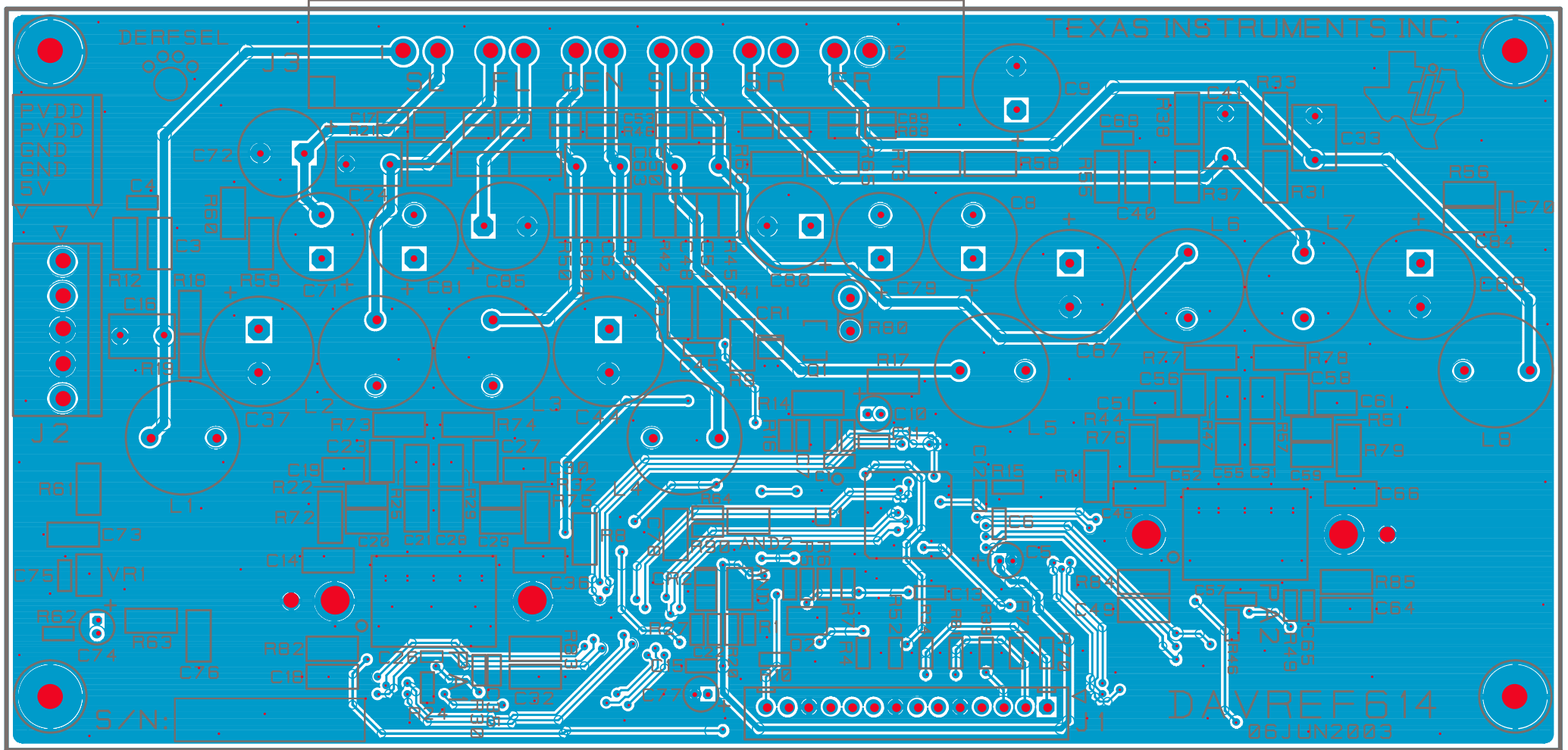
Notes on ZL5-7
 The inductive traces must be approximately 50mm in length and 1.25mm width for 2 oz. copper.



Speaker Connections







PARTS LIST OF CONTROL BOARD

Pef.NO.	PACKAGE.	Description code	Pef.NO.	PACKAGE.	Description code
			Inductor		
			3L1		22uH
			IC		
			3U1		PT6311
			Button		
			3S6		HCT-1101A
			3S7		HCT-1101A
			3S8		HCT-1101A
			3S9		HCT-1101A
			3S10		HCT-1101A
			3S11		HCT-1101A
			3S13		HCT-1101A
			3S19		HCT-1101A
			3S20		HCT-1101A
			Rotary switch		
			3S16/3S18		SR10030-20F-C7
			Jumper		
			3J4		CCT-0.5mm-5mm
			3J5		CCT-0.5mm-5mm
			3J8		CCT-0.5mm-5mm
			3J9		CCT-0.5mm-5mm
			3J10		CCT-0.5mm-7.5mm
			3J2		CCT-0.5mm-10mm
			3J3		CCT-0.5mm-10mm
			3J7		CCT-0.5mm-10mm
			3J11		CCT-0.5mm-10mm
			Remote control receive		
			3IR1		AT1-BT-12
			LED		
			3D6		LED Φ 3(red)
			Capacitor		
			3C3		CS1-63V-0.1 μ \pm 10%
			3C4		CS1-63V-0.1 μ \pm 10%
			3C1		CD11X-10V-47u \pm 20%
			3C2		CD11X-10V-47u \pm 20%
			Diode		
			3D1		1N4148
			3D2		1N4148
			3D3		1N4148
			3D4		1N4148
			3D5		1N4148
			Ferrite Bead		
			3FB1		FB

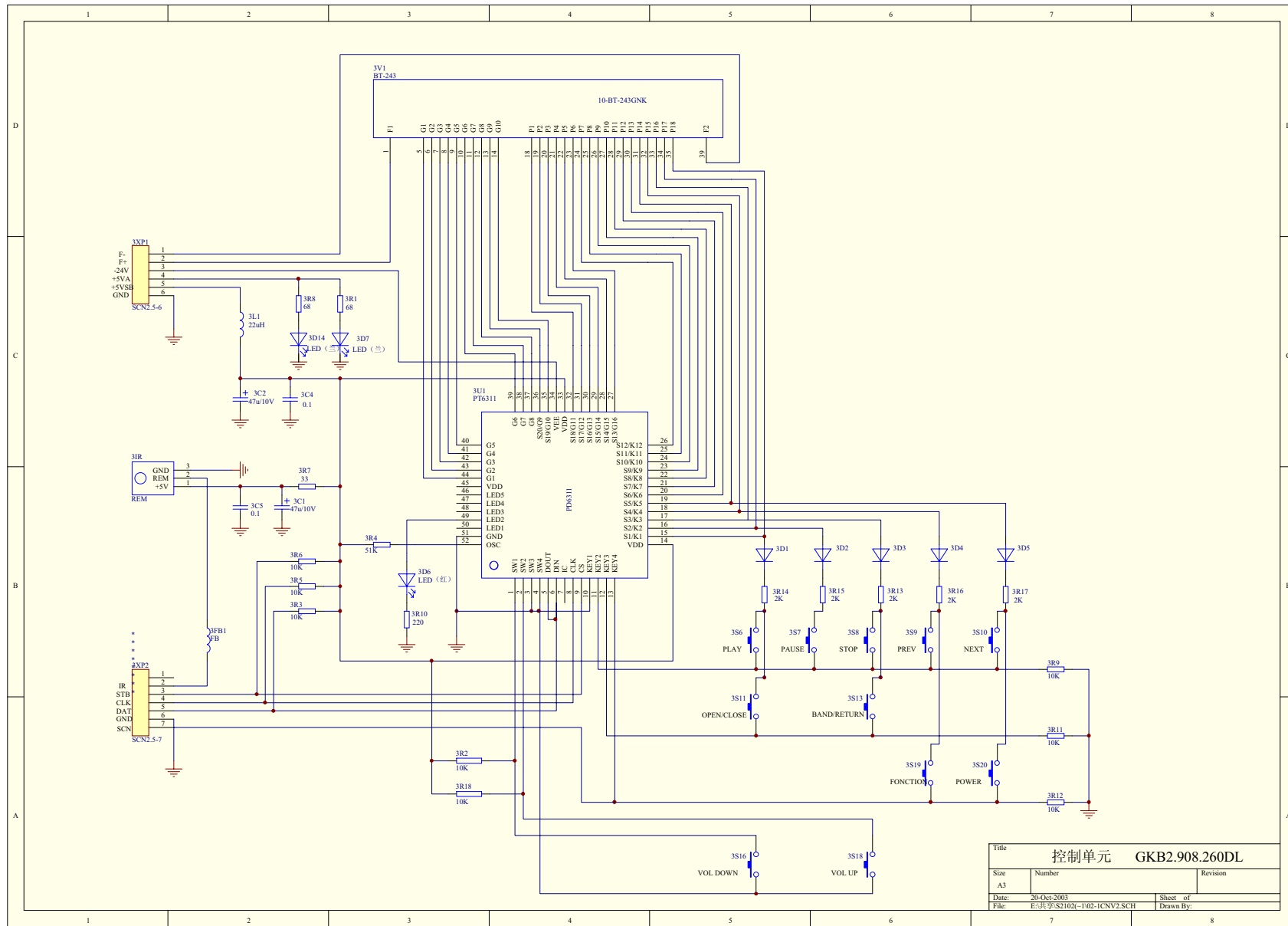
3D7	LED Φ 3 (blue)
3D14	LED Φ 3 (blue)

Pef.NO.	PACKAGE.	Description code
VFD	display	
3V1		10-BT-243

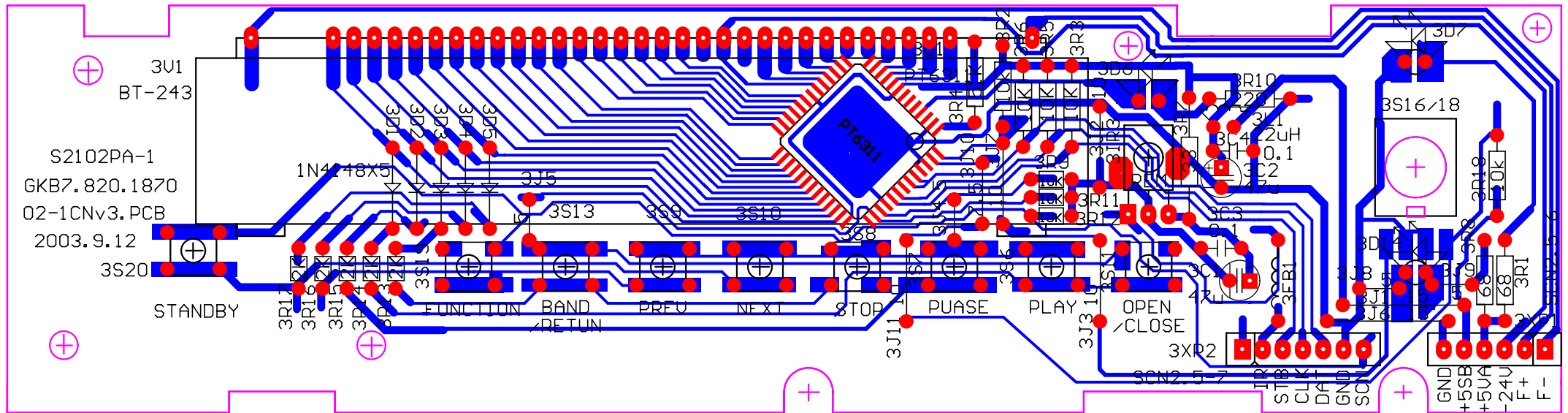
IC KEY VOLTANGE REFERENCE LIST

U1 PT6311

PIN NO.	DC VOLTAGE	PIN NO.	DC VOLTAGE
1	5V	9	5V
2	5V	10	GND
3	GND	14	5V
4	GND	33	5V
5	5V	45	5V
6	5V	51	GND
8	5V	52	3.3V



Title		
控制单元 GK B2.908.260DL		
Size	Number	Revision
A3		
Date:	20-Oct-2003	Sheet of
File:	E:\公共\S2102-1\02-ICNV2.SCH	Drawn By:



PARTS LIST OF SCART BOARD

Pef.NO. PACKAGE. Description code
Resist

5R6	RT14-1/4W-680 $\Omega \pm 5\%$
5R4	RT14-1/2W-680 $\Omega \pm 5\%$
5R9	RT14-1/4W-2K $\pm 5\%$
5R1	RT14-1/4W-10K $\pm 5\%$
5R8	RT13-1/6W-15 $\Omega \pm 5\%$
5R5	RT13-1/6W-2K $\pm 5\%$
5R7	RT13-1/6W-5K1 $\pm 5\%$
5R2	RT13-1/6W-4K7 $\pm 5\%$

5J5

5J6

5J7

5J1

CCT-0.5mm-7.5mm

CCT-0.5mm-7.5mm

CCT-0.5mm-7.5mm

CCT-0.5mm-5mm

Pef.NO. PACKAGE. Description code
Connector

5XP2(increase)	TJC3-2.5-2(bend) SCART21
----------------	-----------------------------

Pef.NO. PACKAGE. Description code
Ferrite Bead

5FB1	FB
5FB2	FB
5FB3	FB
5FB4	FB
5FB5	FB

Pef.NO. PACKAGE. Description code
Transistor

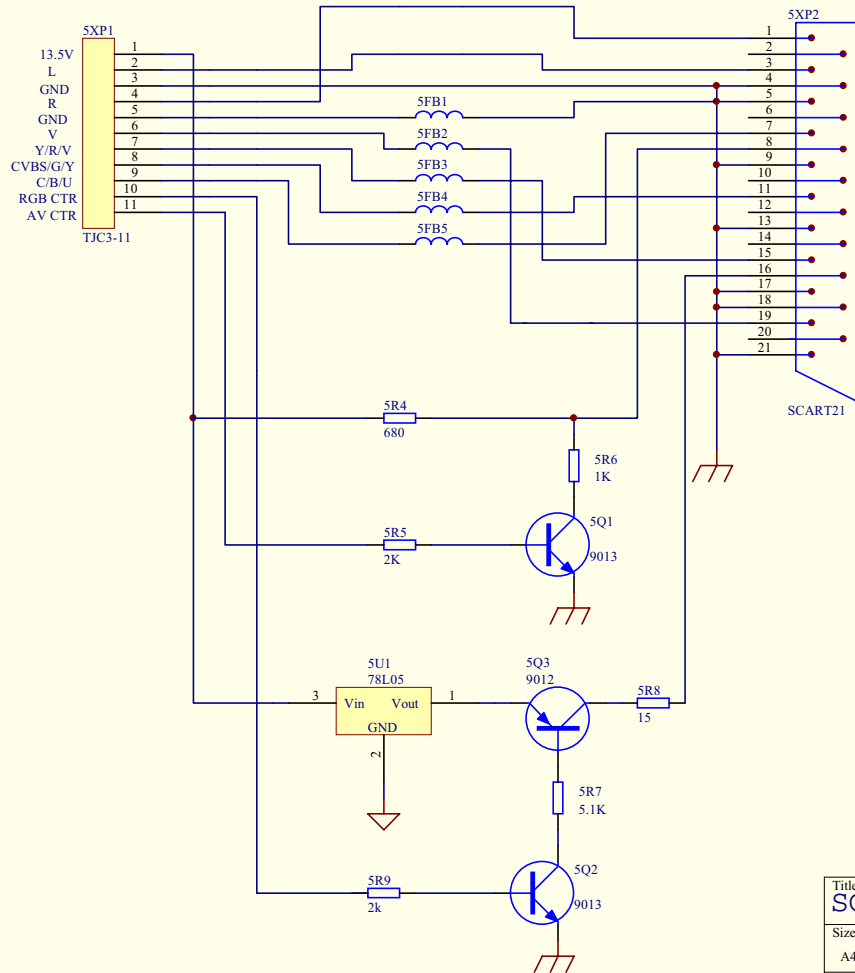
5Q3	9012
5Q1	9013
5Q2	9013
5Q4	9013

Pef.NO. PACKAGE. Description code
IC

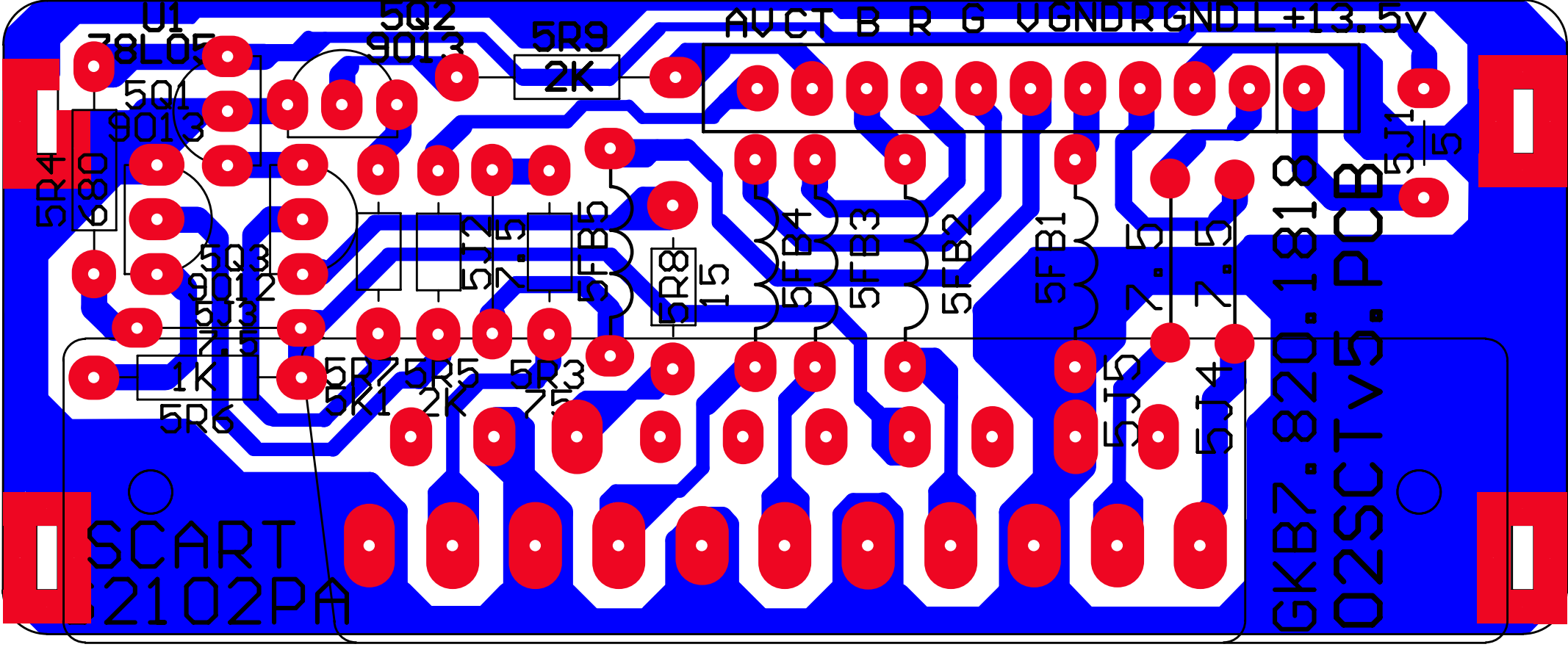
5U1	78L05
-----	-------

Pef.NO. PACKAGE. Description code
Jumper

5J2	CCT-0.5mm-7.5mm
5J3	CCT-0.5mm-7.5mm
5J4	CCT-0.5mm-7.5mm



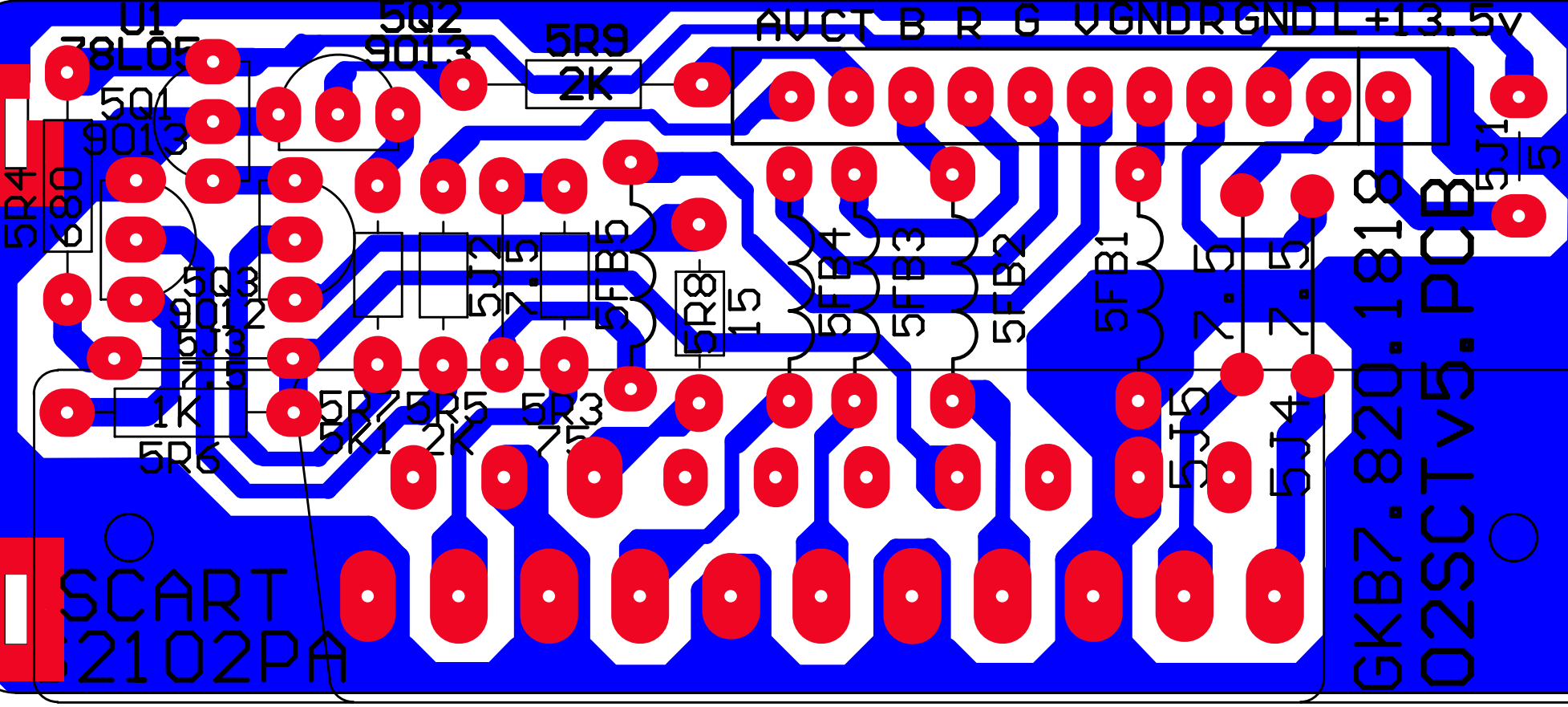
Title		
SCART接口单元 GKB2.908.262DL		
Size	Number	Revision
A4		
Date:	20-Oct-2003	Sheet of
File:	E:\共享\S2102(-1)\02SRTV2S.SCH	Drawn By:



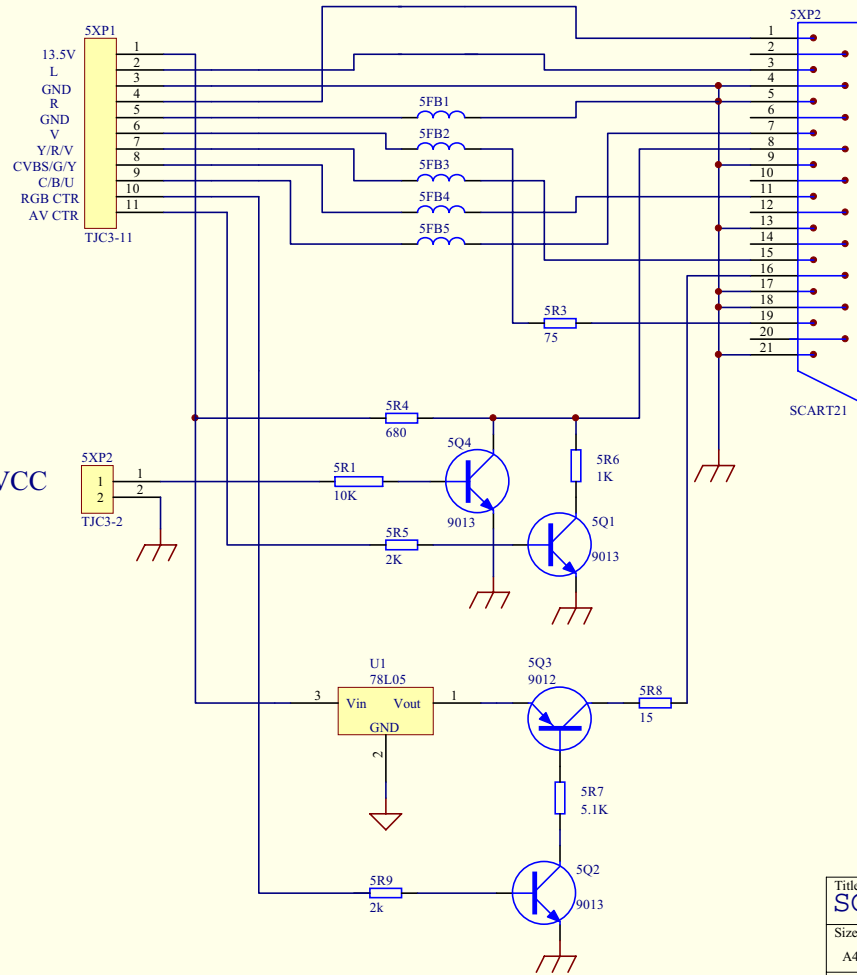
SCART
2102PA

AVCT B R G VGNDR GND L+13.5v

GKB7.820.1818
02SCTV5.PCB

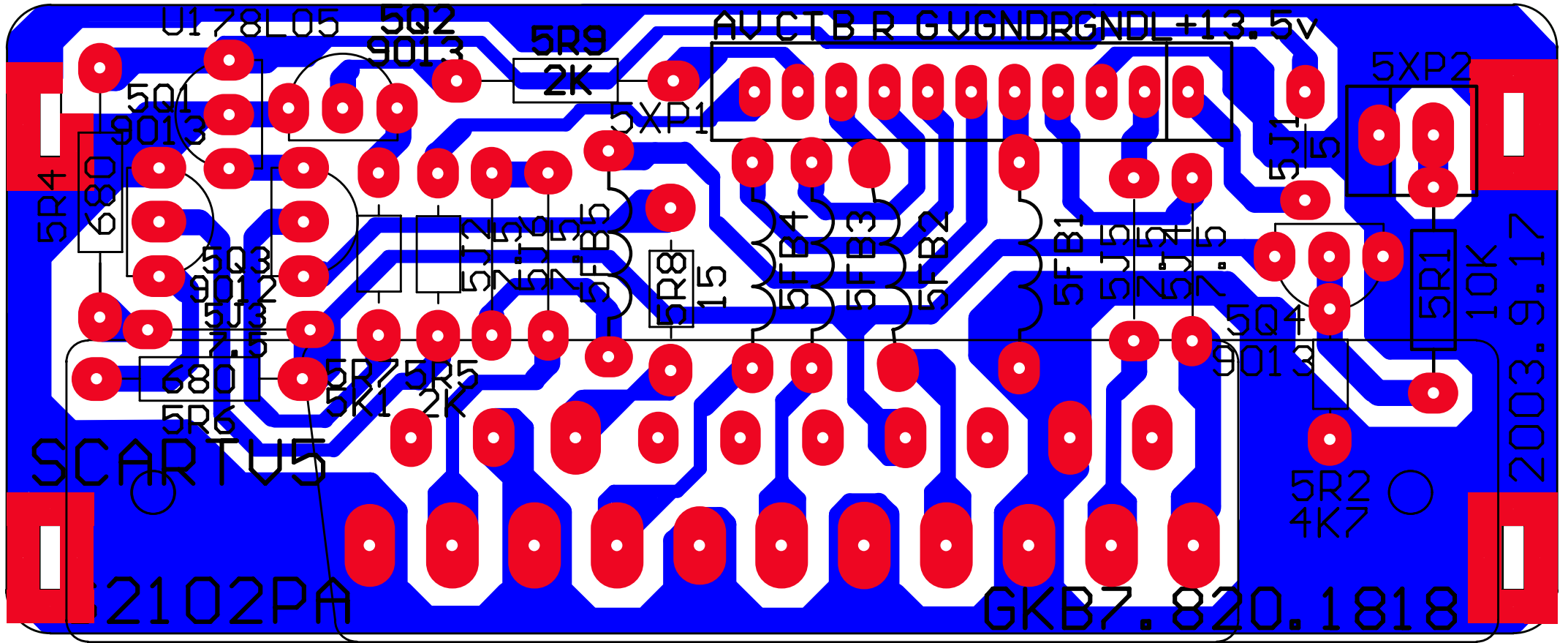


(M15)TUNER_VCC



Title
SCART接口单元 GKB2.908.222DL

Size A4	Number	Revision
Date: 25-Oct-2003	Sheet 3 of 6	By:
File: E:\YU\ATEK-S-2\TZ\S2102P-1\SCRATV		



U1 78L05

5C2
9013

5R9
2K

AV CT B R G V GND R GND L +13.5v

5XP2

5R4

5C1
9013

5XP1

5R8
15

5FB4

5FB3

5FB2

5FB1

5J5

5J4

5J3

5J1
5

5R1
10K

SCART TV5

680

5R7
5K1

5R5
2K

5C4
9013

5R2
4K7

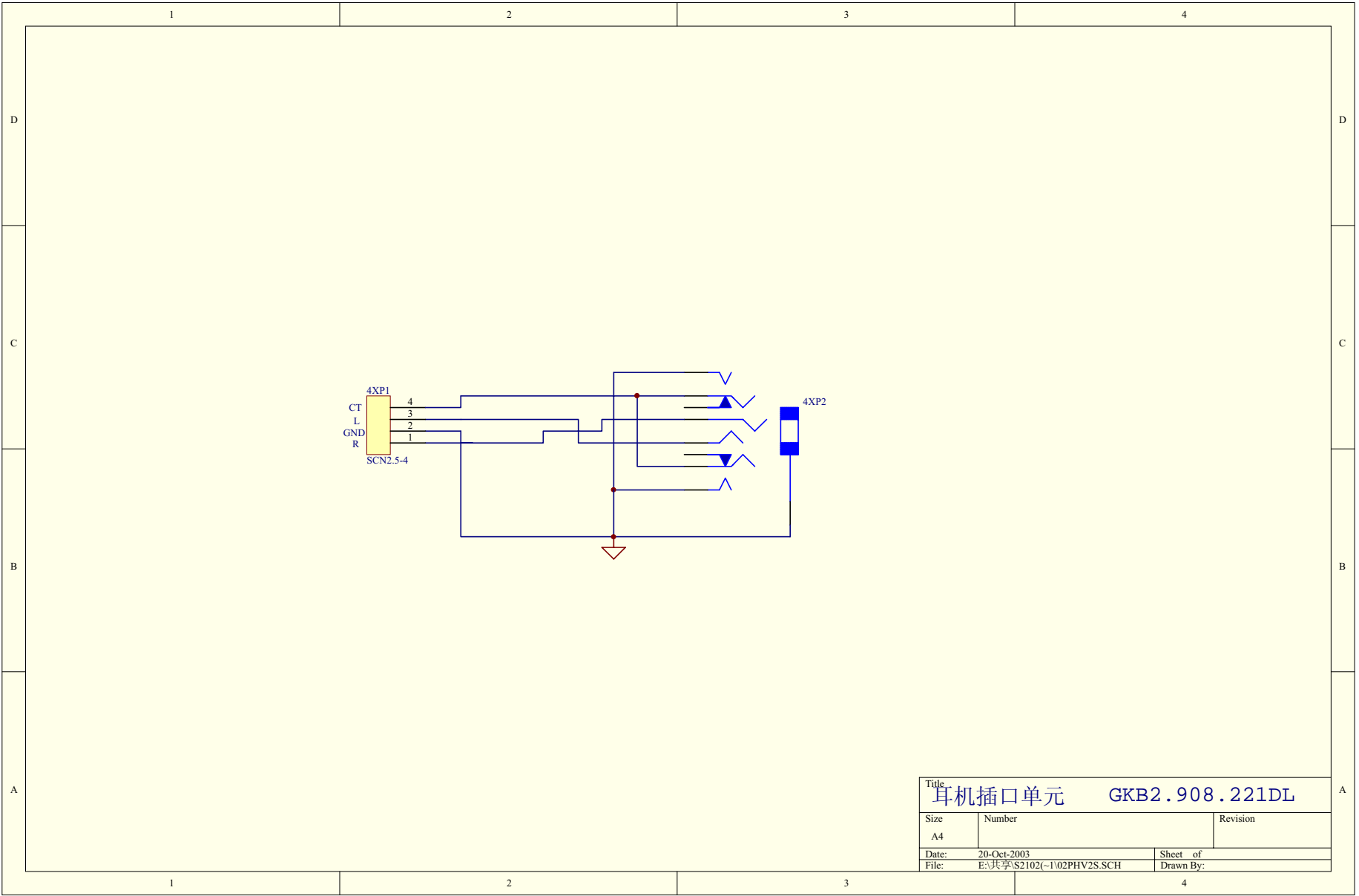
2102PA

GKB7.820.1818

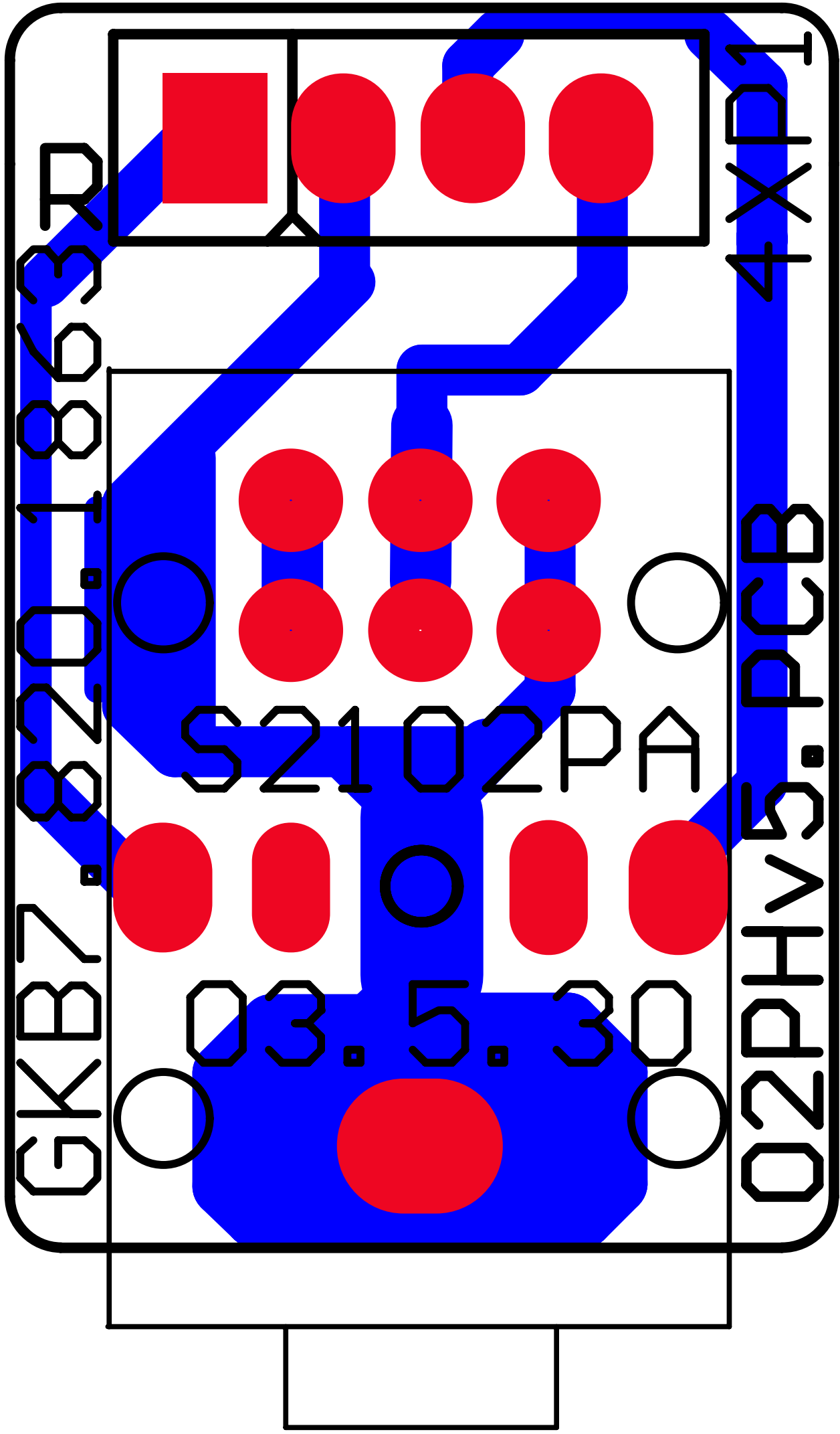
2003.9.17

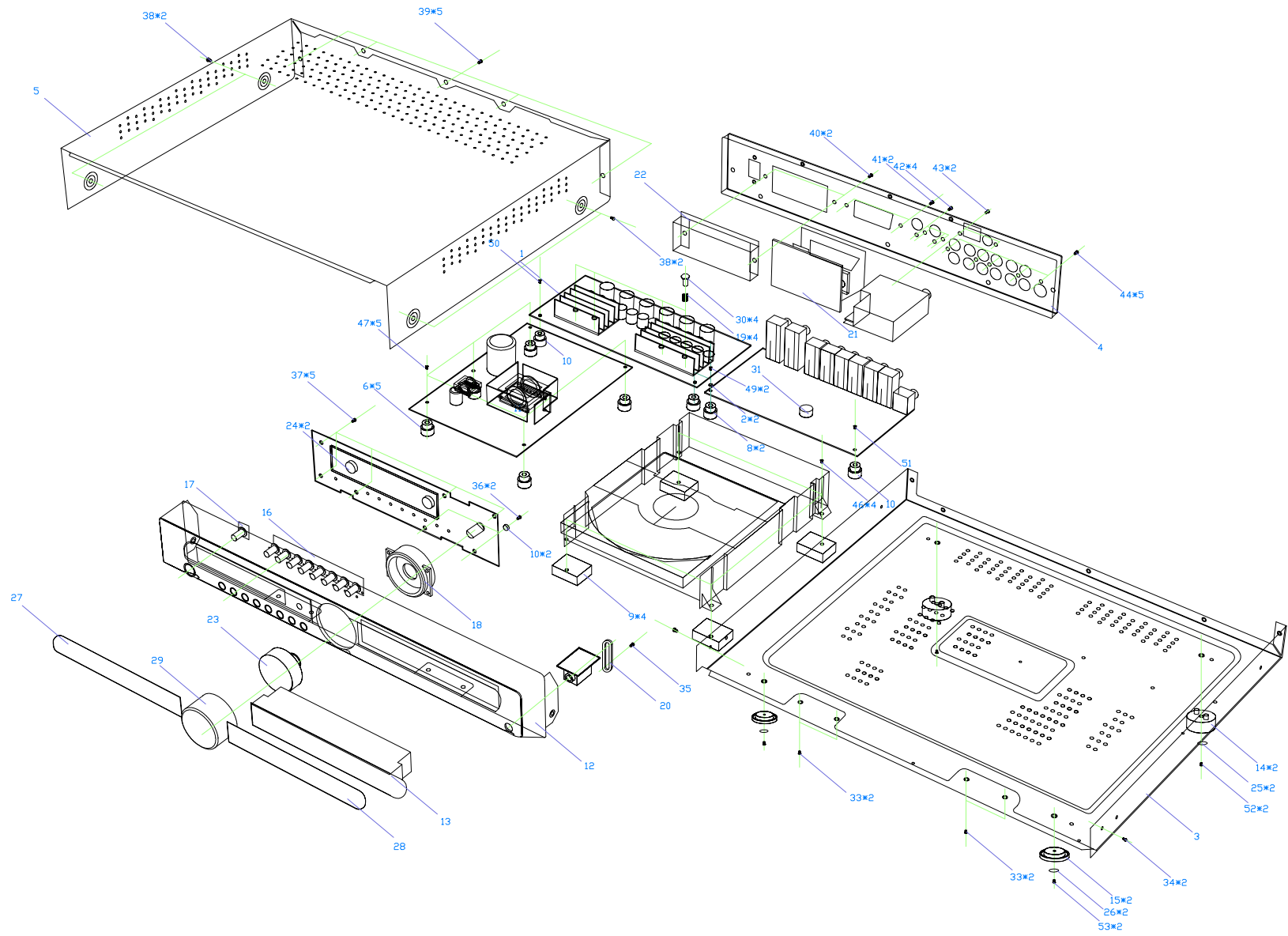
PARTS LIST OF EARPHONE BOARD

Connector Specification	Qun
CK3.5-3F14K-02	1



Title		
耳机插口单元 GKB2.908.221DL		
Size	Number	Revision
A4		
Date:	20-Oct-2003	Sheet of
File:	E:\共享\S2102(-1)\02PHV2S.SCH	Drawn By:





S2102PA-1/10 CABINET EXPLODED VIEW PARTS LIST

NO.	CODE NAME	NAME	QUANTITY
1	GKB7.061.243	Radiator	1
2	GKB7.854.132	Insulation pad	2
3	GKB8.031.233	Bottom Cabinet	1
4	GKB8.040.289	Back Cabinet	1
5	GKB8.040.246	Top Cabinet	1
6	GKB8.078.418	Support pole (11mm)	5
8	GKB8.078.424	Support pole (13mm)	2
9	GKB8.078.454	Loader holder	4
10	GKB8.078.455	Insulation pad	2
11	GKB8.078.456	Support pole (7.5mm)	2
12	GKB8.081.518	Front Cabinet	1
13	GKB8.082.191	Door	1
14	GKB8.085.148	Feet (back)	2
15	GKB8.085.149	Feet (front)	2
16	GKB8.335.690	Unit key	1
17	GKB8.335.691	Power key	1
18	GKB8.337.489	Volume knob (inside)	2
19	GKB8.382.168	Fixture clip loop	4
20	GKB8.610.427	Press board	1
21	GKB8.634.453	SCART board	1
22	GKB8.634.465	Masking covering	1
23	GKB8.634.466	Volume knob (outside)	1
24	GKB8.639.175	Screen rubber pad	2
25	GKB8.639.186	Pad (back feet)	2
26	GKB8.639.187	Pad (front feet)	2
27	GKB8.640.717	Glassy window	1
28	GKB8.647.783	Door adorn detail	1
29	GKB8.647.785	Volume adorn detail	1
30	GKB8.667.188	Radiator fixture clip	4
31	GKB8.683.200	Pad	1
33		Front Cabinet & Bottom Cabinet	4
34		Front Cabinet & Bottom Cabinet	2

S2102PA-1/10 CABINET EXPLODED VIEW PARTS LIST

35		Front Cabinet & earphone	1
36		Front Cabinet & Control board	2
37		Front Cabinet & Control board	5
38		Bottom Cabinet & Top Cabinet	4
39		Top Cabinet & Back Cabinet	5
40		Back Cabinet & Masking board	2
41		Back Cabinet SCART board	2
43		Back Cabinet & Tuner	2
44		Back Cabinet AV board	9
46		Bottom Cabinet & Loader	4
47		Bottom Cabinet & Power board	5
49		Bottom Cabinet & AV board	2
50		Bottom Cabinet & Function Amplify board	1
51		Bottom Cabinet & AV board	1
52		Bottom Cabinet & feet (back)	2
53		Bottom Cabinet & feet (front)	2