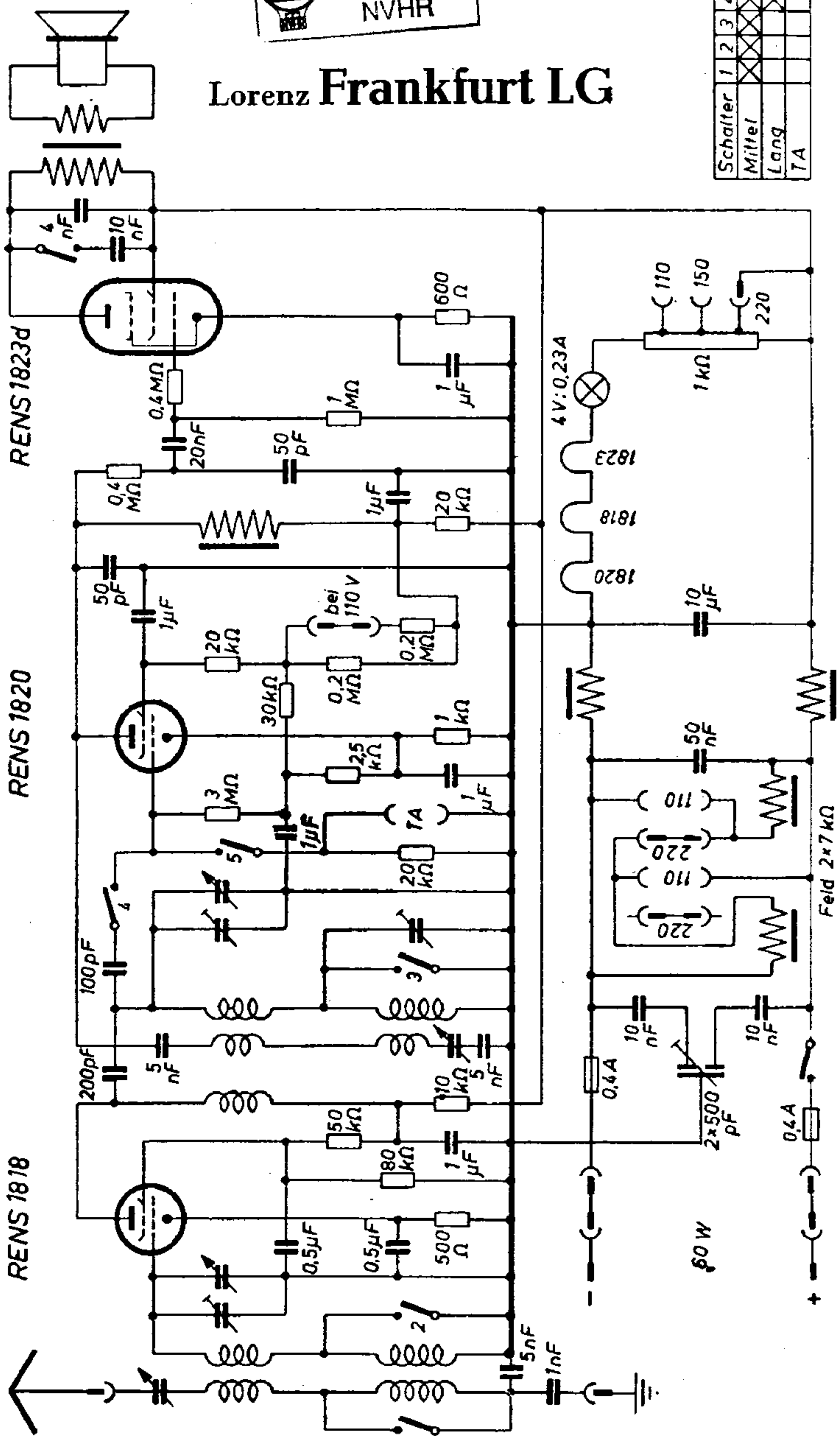


Lorenz Frankfurt LG

Schalter	1	2	3	4	5
Mittel		X	X	X	X
Lang					
TA					X



RENS 1818

RENS 1820

RENS 1823d

4V:0.23A

60W

Feld 2x7kΩ

0.4A

0.6A

10nF

10nF

2x500PF

50nF

10uF

1820

1818

1823

4V:0.23A

RENS 1823d

RENS 1820

RENS 1818

RENS 1823d

RENS 1820

RENS 1818

RENS 1823d

RENS 1820

RENS 1818

RENS 1823d