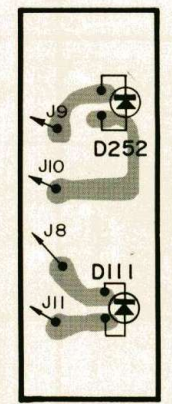
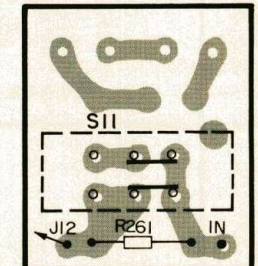
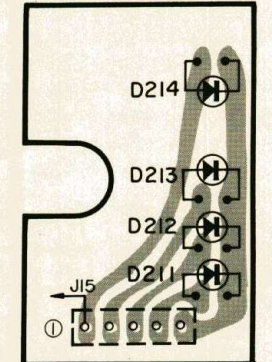
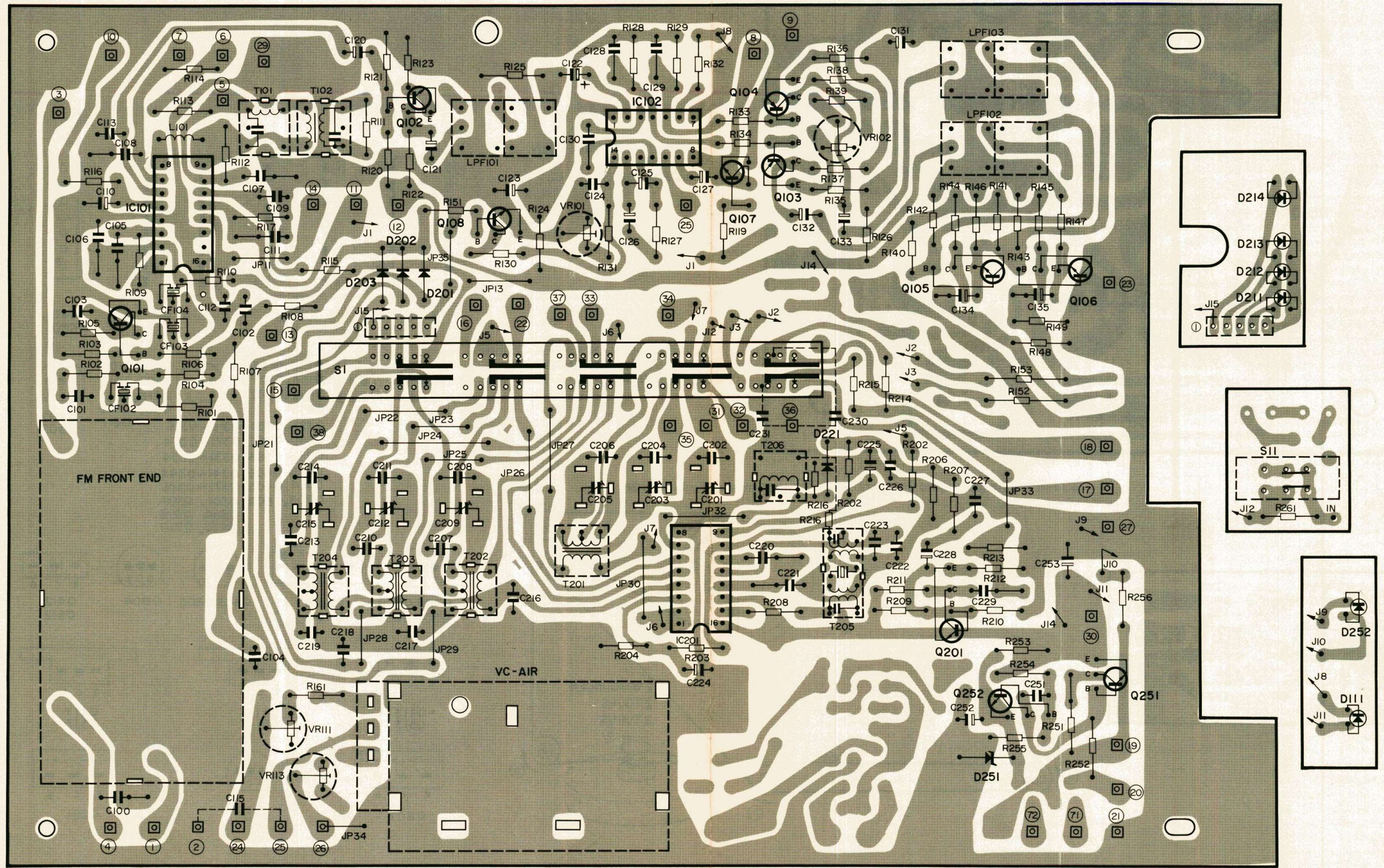
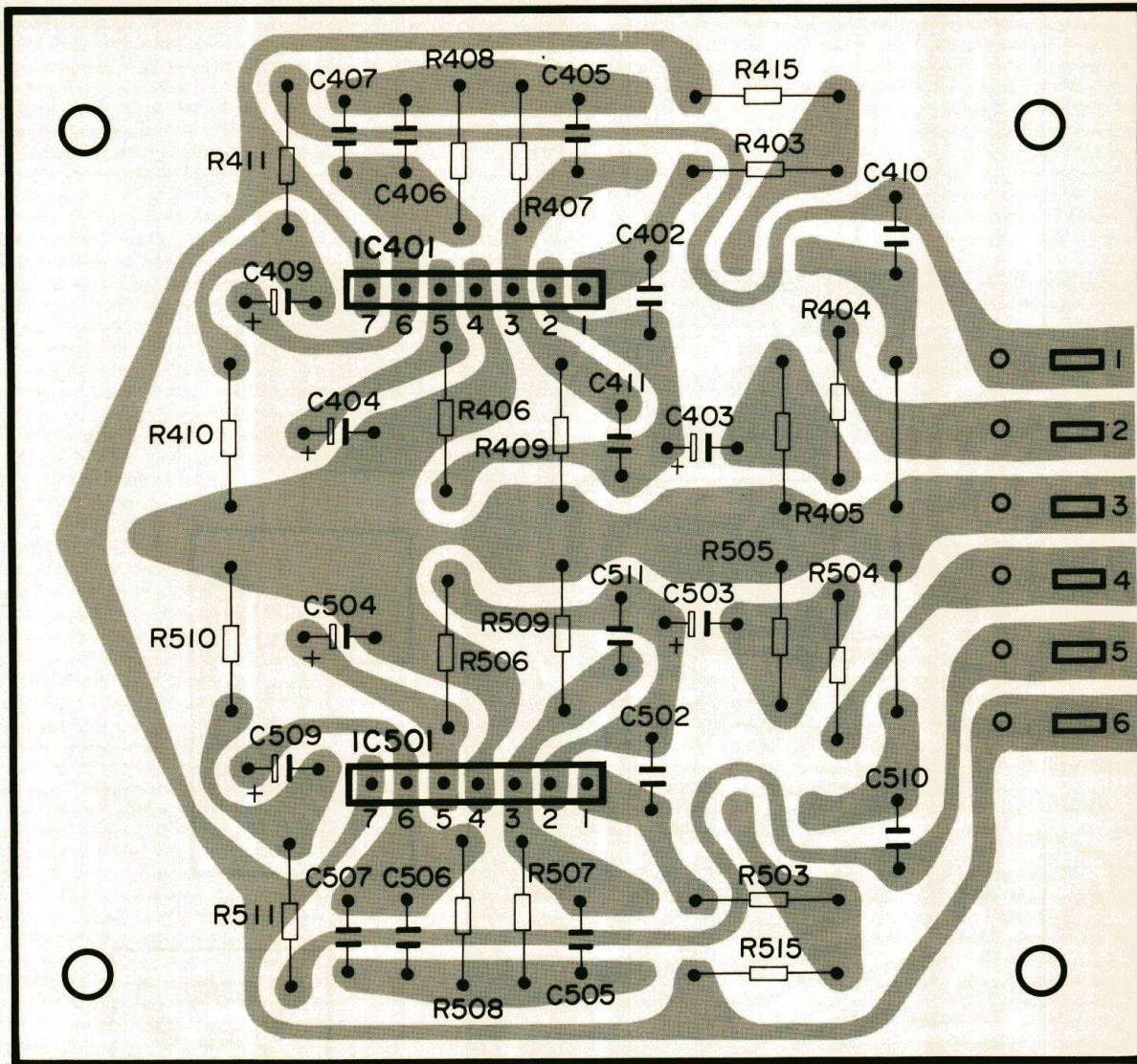


# TUNER/AMPLIFIER HIFI 8032

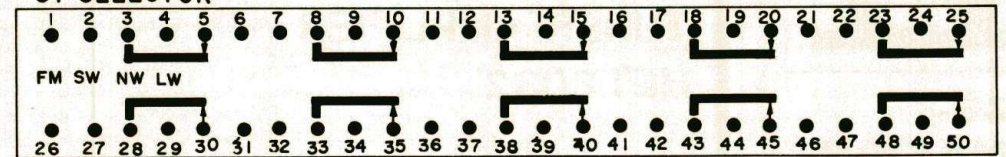
SERVICE-  
INFORMATION ②



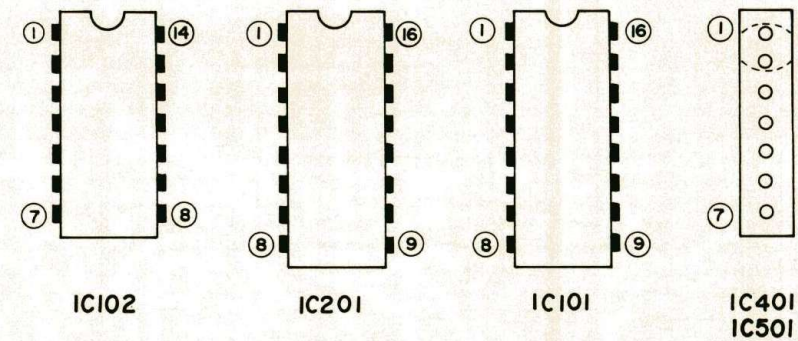




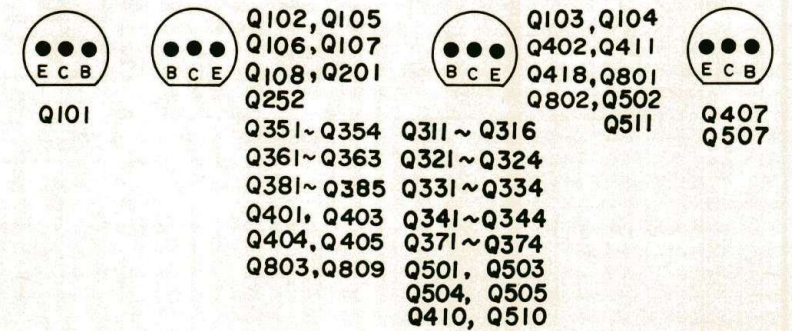
SI SELECTOR



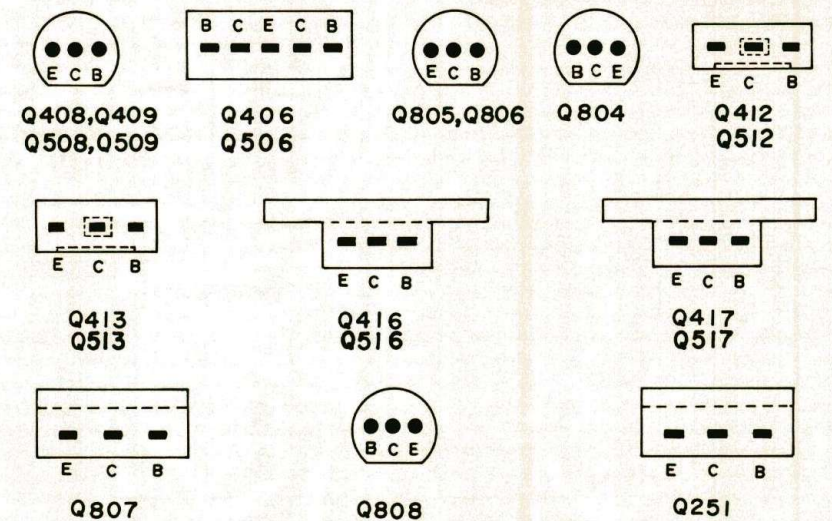
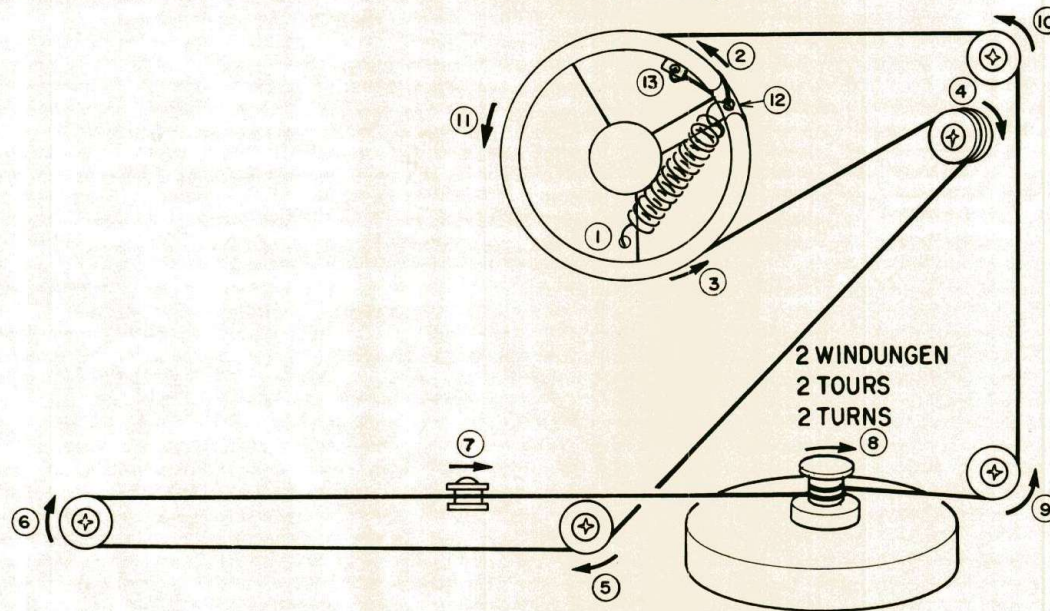
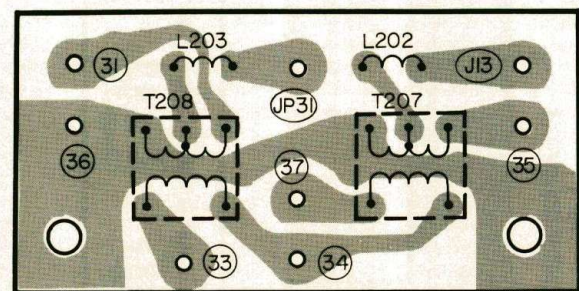
ICs VON OBEN GESEHEN.  
ICs TOP VIEW.  
VUE DE-DESSUS du CI.



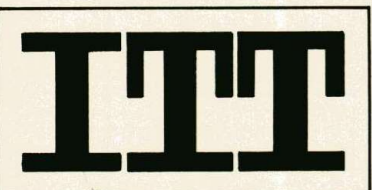
TRANSISTOREN VON UNTEN GESEHEN.  
BOTTOM VIEW OF TRANSISTORS.  
VUE DE-DESSOUS DES TRANSISTORS.



Skalenseilführung/Dial Cord Stringing/Ficelle D'entrainement D'aiguille Cadran

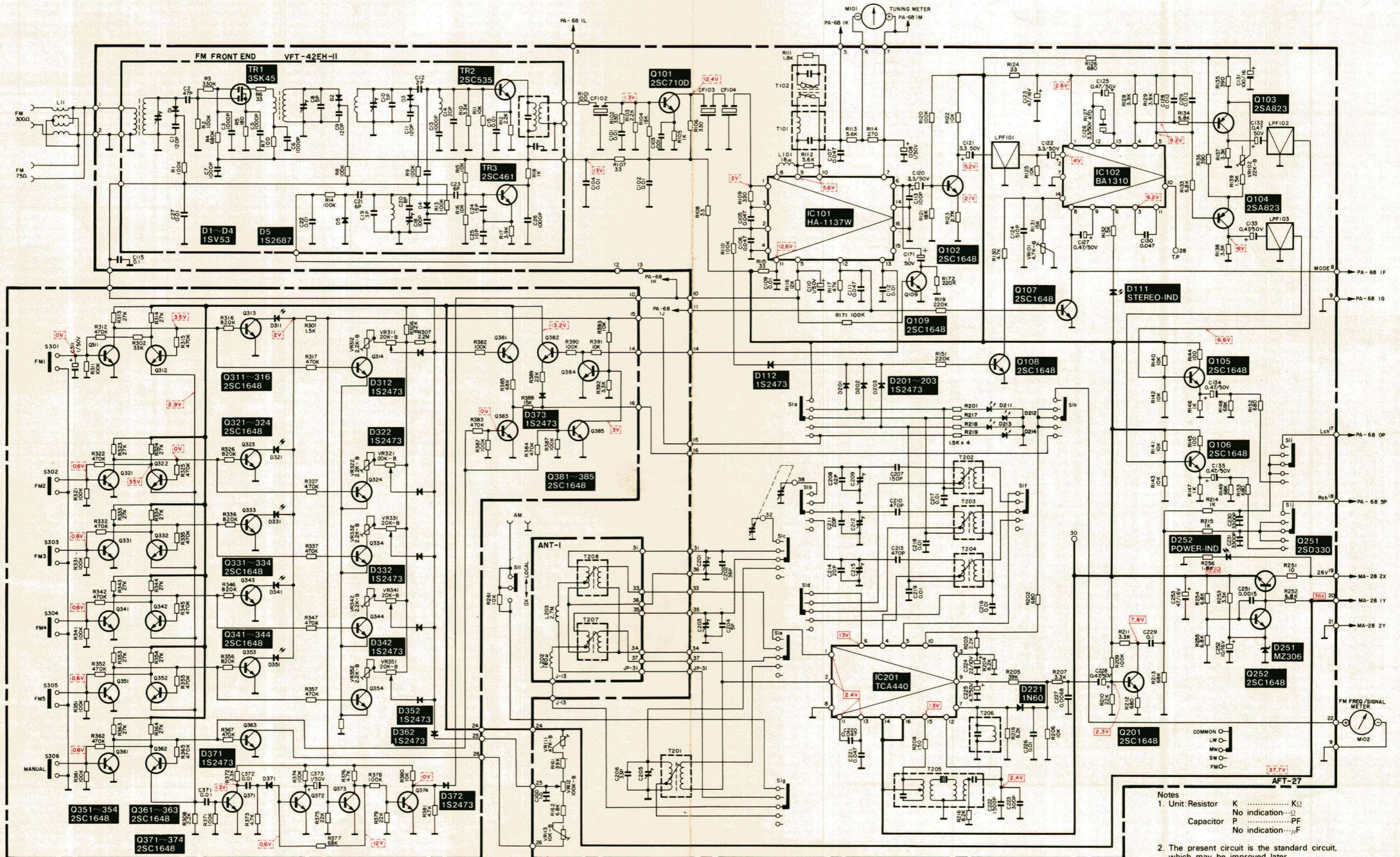






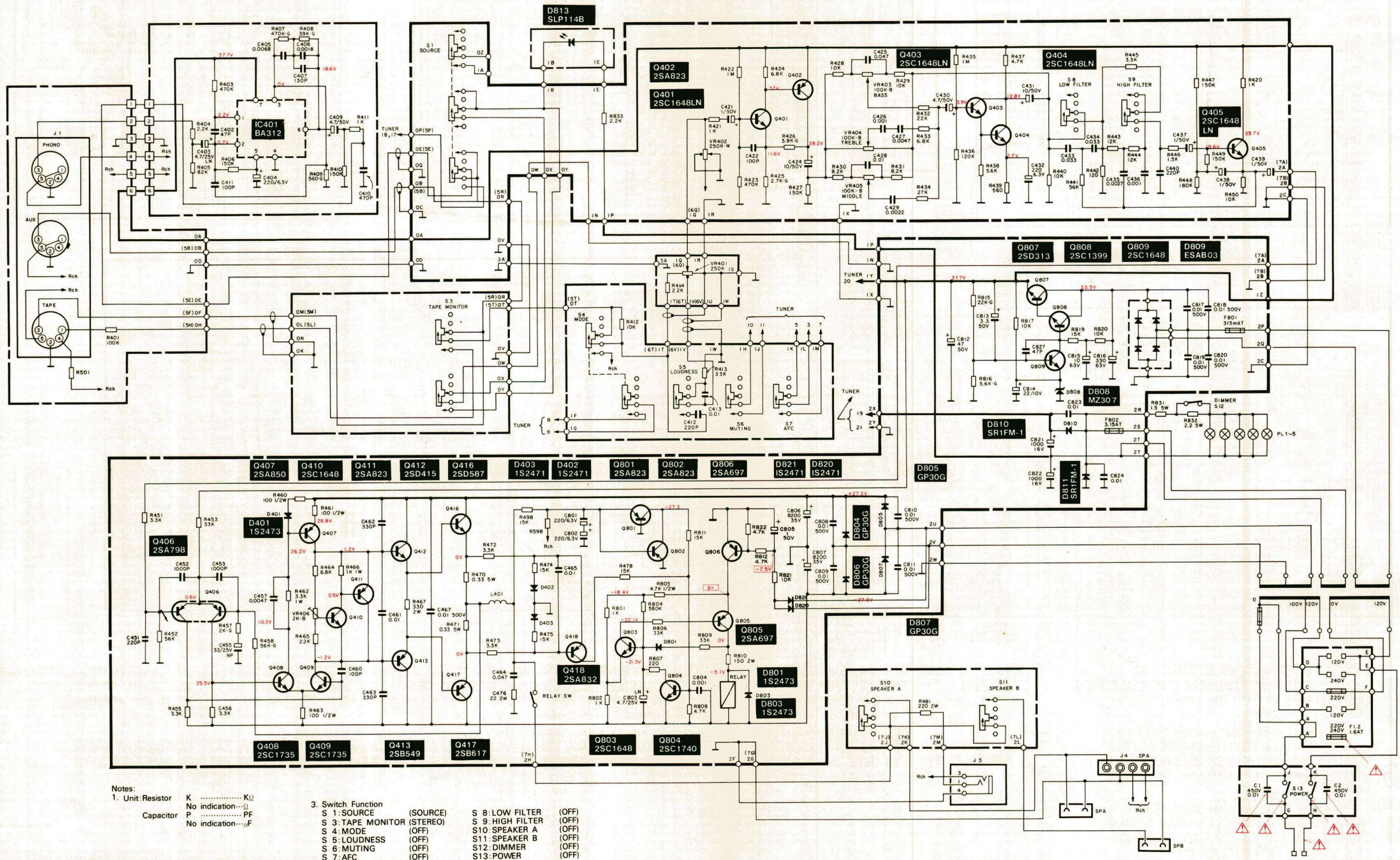
# TUNER/AMPLIFIER HIFI 8032

SERVICE-  
INFORMATION ①



Notes  
 1. Unit: Resistor K ..... KΩ  
                   No indication.....Ω  
                   Capacitor P ..... PF  
                   No indication.....F  
 2. The present circuit is the standard circuit,  
 which may be improved later.





- Notes:
- |                   |               |       |            |
|-------------------|---------------|-------|------------|
| 1. Unit: Resistor | K             | ..... | K $\Omega$ |
|                   | No indication | ..... | $\Omega$   |
| Capacitor         | P             | ..... | PF         |
|                   | No indication | ..... | fF         |
- 
- |                    |                   |          |                  |       |
|--------------------|-------------------|----------|------------------|-------|
| 3. Switch Function | S 1: SOURCE       | (SOURCE) | S 8: LOW FILTER  | (OFF) |
|                    | S 3: TAPE MONITOR | (STEREO) | S 9: HIGH FILTER | (OFF) |
|                    | S 4: MODE         | (OFF)    | S 10: SPEAKER A  | (OFF) |
|                    | S 5: LOUDNESS     | (OFF)    | S 11: SPEAKER B  | (OFF) |
|                    | S 6: MUTING       | (OFF)    | S 12: DIMMER     | (OFF) |
|                    | S 7: AFC          | (OFF)    | S 13: POWER      | (OFF) |







