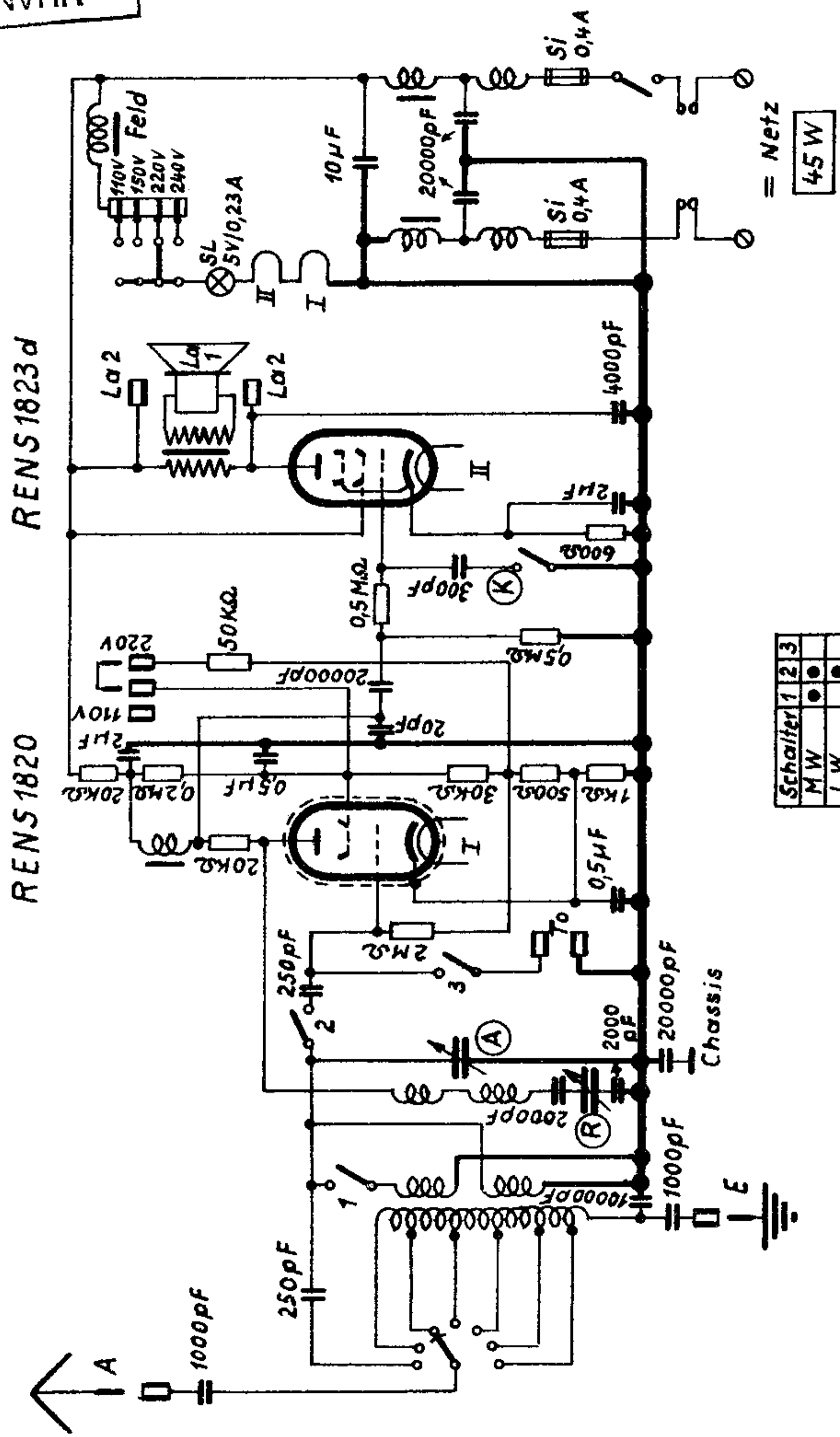


Lorenz München 33G-133G/Tefag 133G



| Schalter | 1 | 2 | 3 |
|----------|---|---|---|
| MW | ● | ● | |
| LW | | ● | ● |
| To | | | ● |

= Netz 45 W

RENS 1823d

RENS 1820