

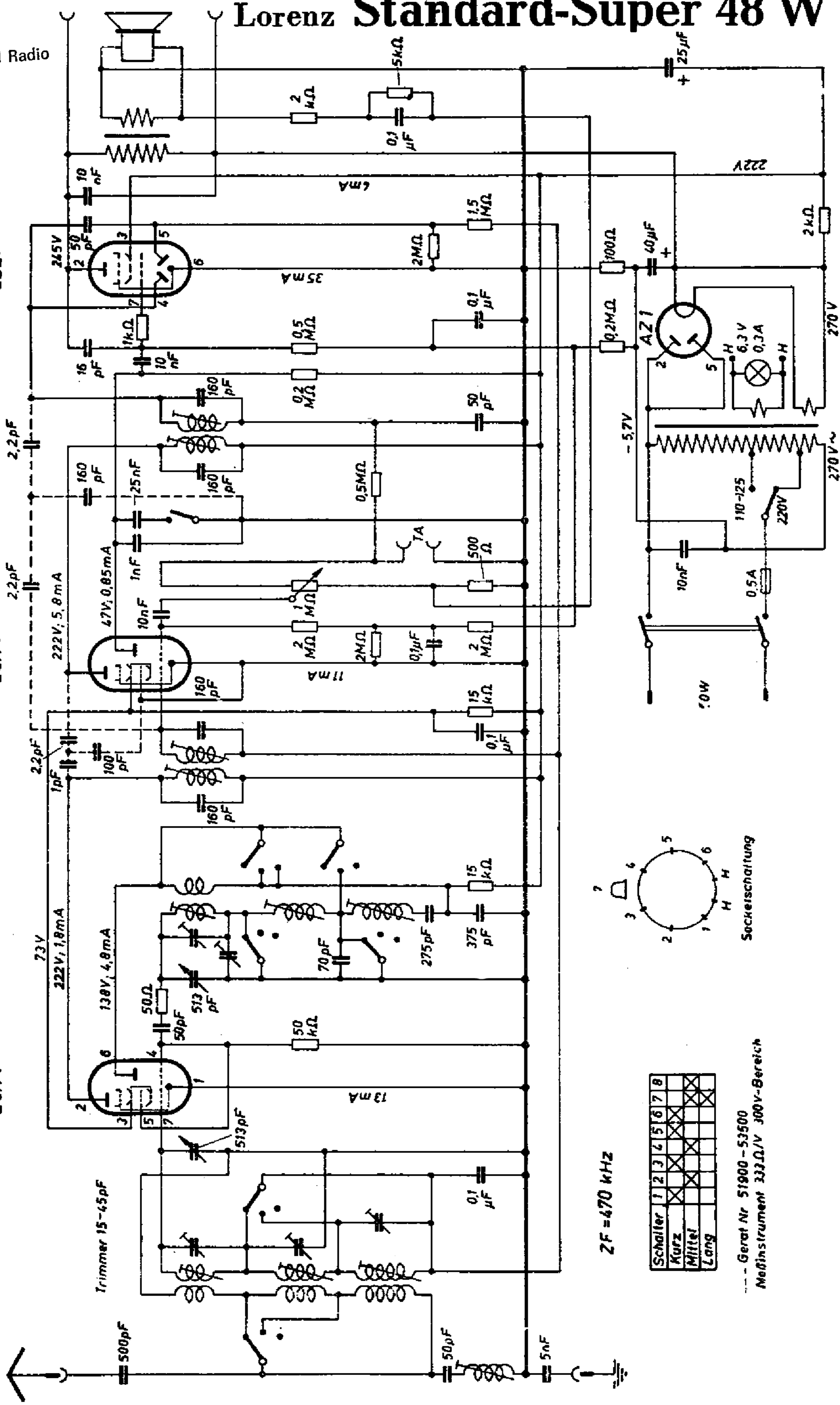
Lorenz Standard-Super 48 W

v/d Radio

EBL1

ECH4

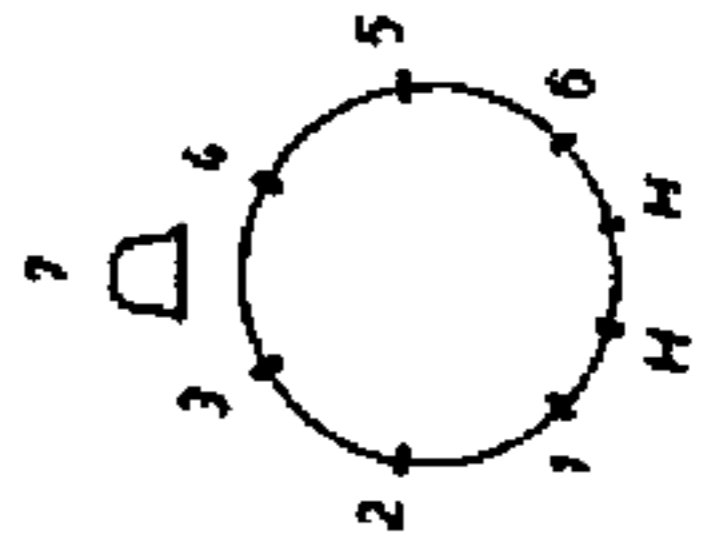
ECH4



ZF = 470 kHz

Schalter	1	2	3	4	5	6	7	8
Kurz		X	X	X	X	X	X	X
Mittel	X	X	X	X	X	X	X	X
Lang	X	X	X	X	X	X	X	X

Gerat Nr 51900 - 53500
Meßinstrument 333Ω/V 300V-Bereich



Socket connection diagram for the 270V filament transformer, showing pins 1-7 and connections for H (heater) and H (filament).