
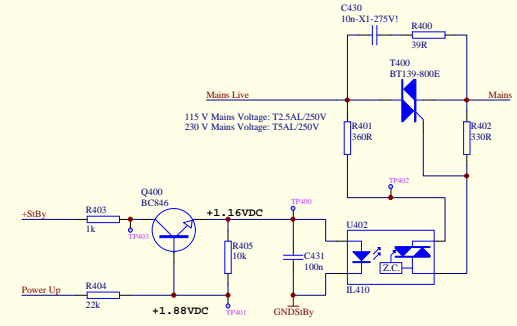
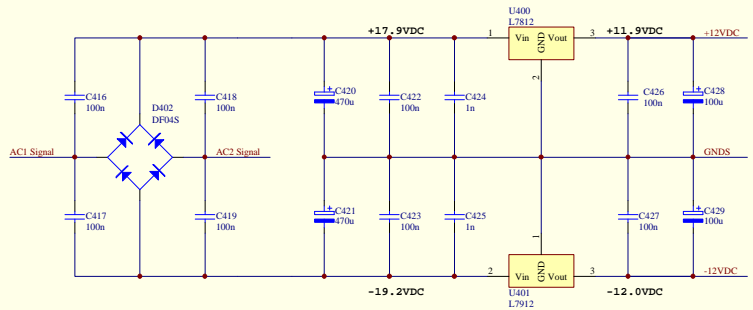
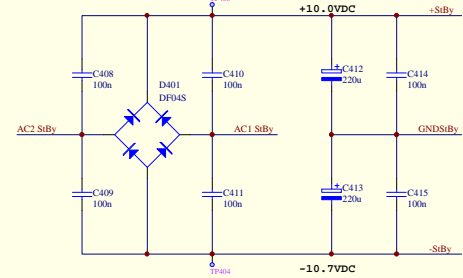
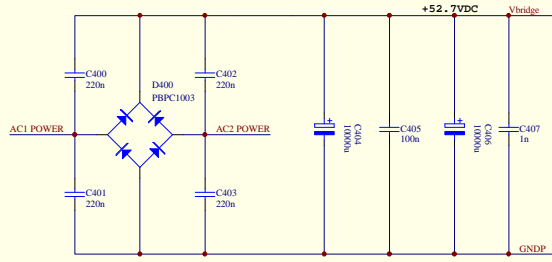


Conditions for DC measurements:
 Vmain, nom = 230VAC @ 50Hz
 Pout = 1/8 * Pmax = 27.6W @ 60Hz in 4 ohms
 GND reference is J406

SchLoadResourceFile Link Non Schematic Files p:\work\D 6SUB\sch\2000008B\Change.Txt	
AutoSave:SetAutoSave Auto Save	SchBOM:runSchBOM New BOM p:\work\D 6SUB\sch\2000008B\2000008B.XLS
Electrical Rule Check p:\work\D 6SUB\sch\2000008B\D 6SUB.ERC	BOM 115VAC Link Non Schematic Files p:\work\D 6SUB\sch\2000008B\2000008B 115VAC.XLS
Netlist:CreateNetList New netlist p:\work\D 6SUB\sch\2000008B\D 6SUB.NET	BOM 230VAC Link Non Schematic Files p:\work\D 6SUB\sch\2000008B\2000008B 230VAC.XLS

Title: Project Management Sheet	
Project: D 6SUB, Subwoofer	
 Jame AS Elmvej 8 Glyngøere DK-7870 Roslev, Denmark Phone +45 99787600 Fax +45 99787600	Item no: 2000008 Revision: B Date / Time: 13-Nov-2000 / 13:33:15 Sheet size: A3 Drawn by: BKJ
File: P:\WORK\RD 6SUB\Sch\2000008B\D 6SUB.prj	Sheet 1 of 6

Schematic 400



- POWER UP → Power Up
- J400 → Mains Live
- J401 → Mains Neutral
- J402 → F400 T500mA AC1 Signal
- J403 → GNDStBy
- J404 → F401 T500mA AC2 Signal
- J405 → F402 T10A 250V AC1 Power
- J406 → GNDP
- J407 → F403 T10A 250V AC2 Power

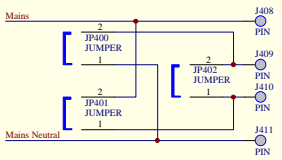
CAUTION:
FOR CONTINUED PROTECTION
AGAINST RISK OF FIRE REPLACE
ONLY WITH SAME TYPE FUSE!

F400 TYPE T500mA/125VAC

F401 TYPE T500mA/125VAC

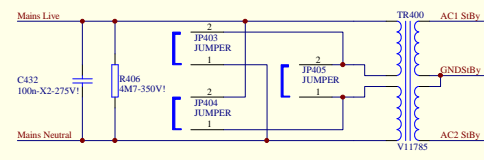
F402 TYPE T10A/250VAC

F403 TYPE T10A/250VAC



Mount JP402 for 230V AC

Mount JP400 and JP401 for 115VAC



Mount JP405 for 230V AC

Mount JP403 and JP404 for 115VAC

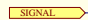





- AC1 POWER → AC1 POWER
- AC2 POWER → AC2 POWER
- +StBy → +StBy
- StBy → -StBy
- GNDStBy → GNDStBy
- Vbridge → VBRIDGE
- GNDP → GNDP
- +12VDC → +12VDC
- GNDStBy → GNDStBy
- 12VDC → -12VDC

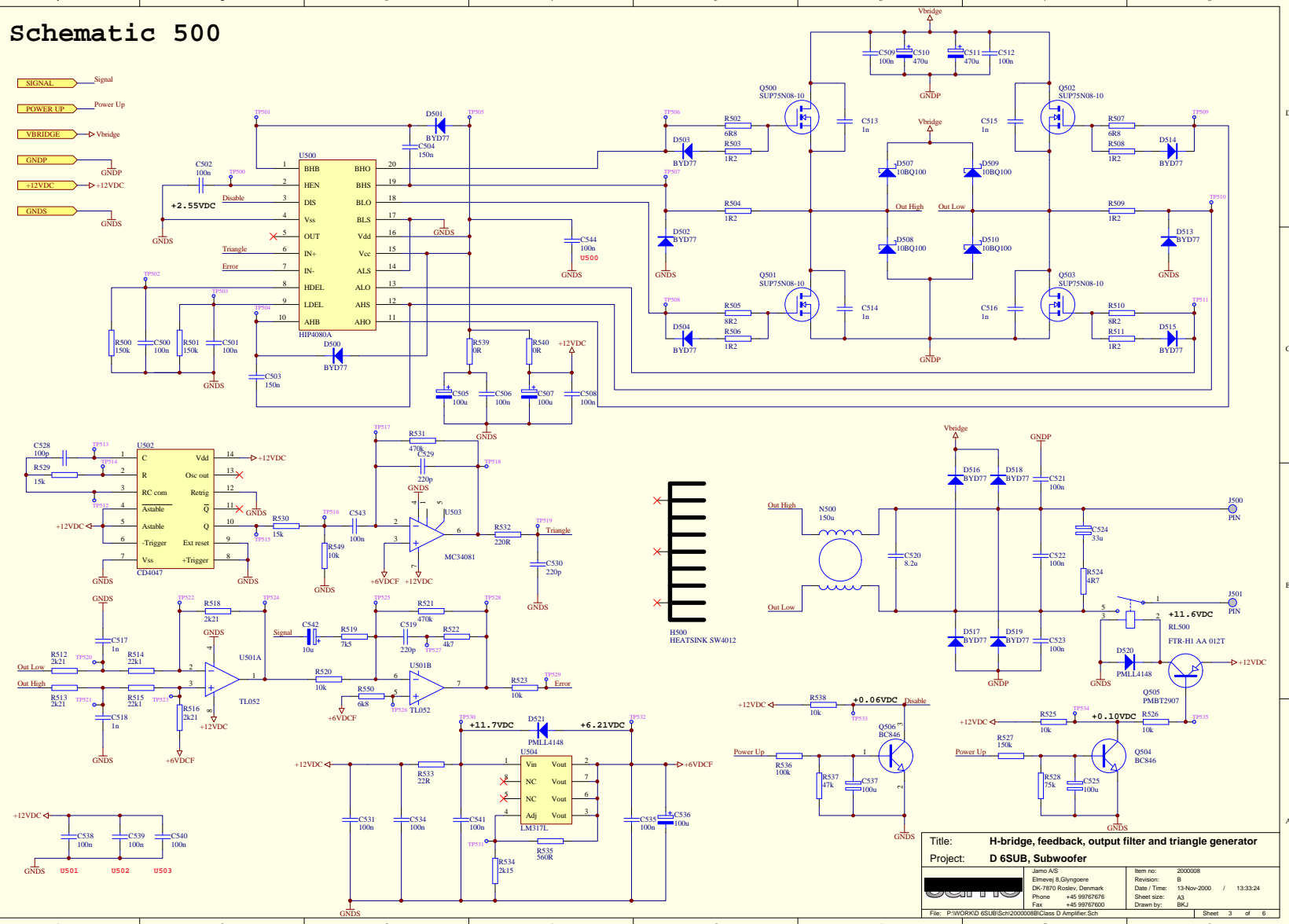
Title: Power Supply
Project: D 6SUB, Subwoofer

Jamo AS Elmevej 8, Glyngøre DK-7870 Roslev, Denmark Phone: +45 99787678 Fax: +45 99787600	Item no: 2000008 Revision: B Date / Time: 13-Nov-2000 / 13:34:00 Sheet size: A3 Drawn by: BKJ
---	---

File: P:\WORK\RD 6SUB\Sch\2000008\Power Supply.Sch

Schematic 500

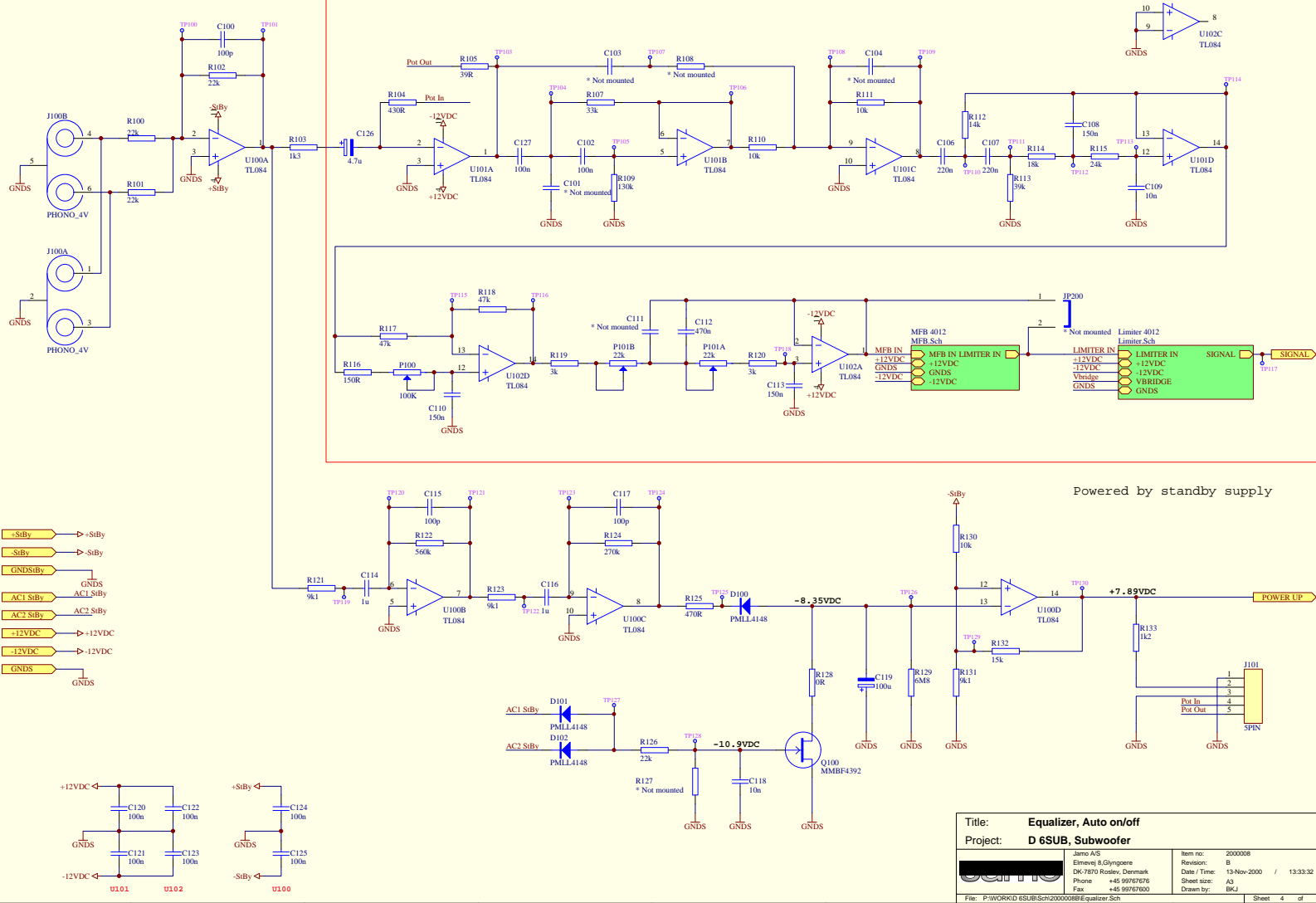
-  Signal
-  Power Up
-  Vbridge
-  GNDDP
-  +12VDC
-  GNDS



Title: H-bridge, feedback, output filter and triangle generator
 Project: D 6SUB, Subwoofer

	Jame AS Elmvej 8 Glyngørd DK-7870 Roslev, Denmark Phone: +45 99787676 Fax: +45 99787600	Item no: 2000008 Revision: B Date / Time: 13-Nov-2000 / 13:33:24 Sheet size: A3 Drawn by: BKJ
	File: P:\WORK\RD 6SUB\Sch\2000008\Class D Amplifier.Sch	
	Sheet 3 of 6	
	Class D Amplifier	

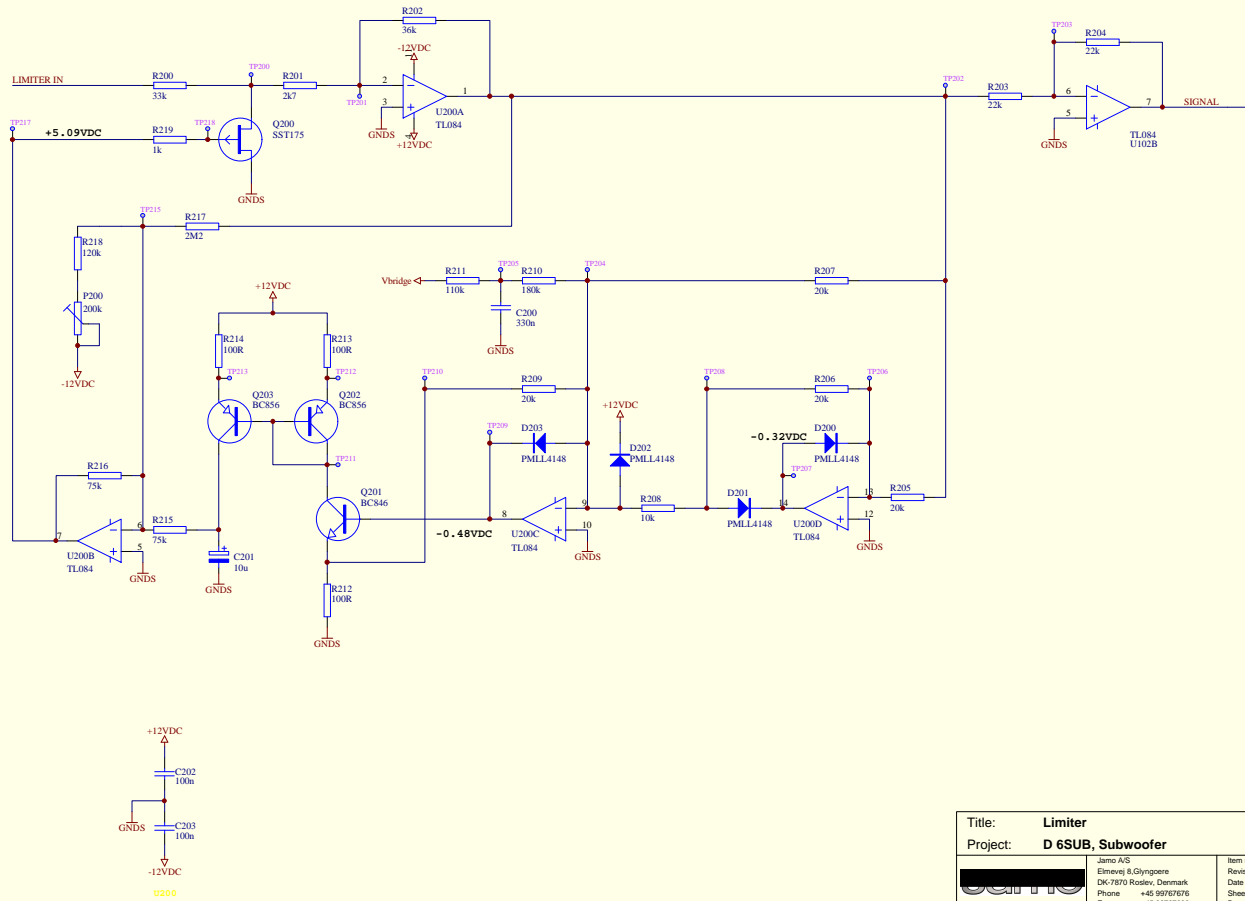
Schematic 100



Powered by standby supply

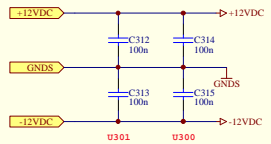
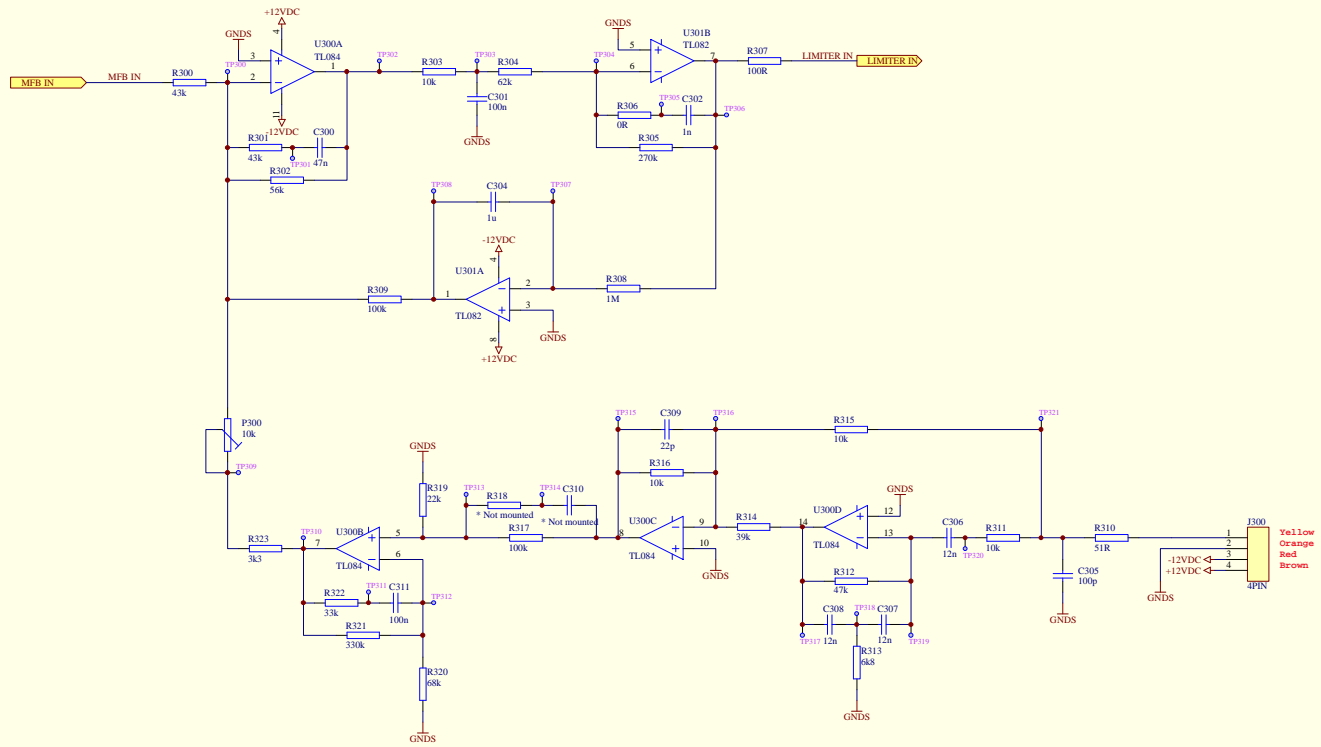
Title: Equalizer, Auto on/off Project: D 6SUB, Subwoofer		Item no: 2000008 Revision: B Date / Time: 13-Nov-2000 / 13:33:32 Sheet size: A3 Drawn by: BKJ
Jame AS Elmvej 8 Glyngøere DK-7870 Roslev, Denmark Phone: +45 99787678 Fax: +45 99787600		File: P:\WORK\RD 6SUB\Sch\2000008\EE\equalizer.Sch Sheet 4 of 6

Schematic 200



Title: Limiter Project: D 6SUB, Subwoofer		Item no: 2000008 Revision: B Date / Time: 13-Nov-2000 / 13:33:44 Sheet size: A3 Drawn by: BKJ
Jame AS Elmvej 8 Glyngøere DK-7870 Roslev, Denmark Phone: +45 99787676 Fax: +45 99787600		File: P:\WORK\KID 6SUB\Sch\2000008B\Limiter.Sch Sheet 5 of 6

Schematic 300



Title: Motional Feedback Equalizer
 Project: D 6SUB, Subwoofer

	Jørgensen & Glyngøere Elmvej 8 Glyngøere DK-7870 Roslev, Denmark Phone +45 99787676 Fax +45 99787600	Item no: 2000008 Revision: B Date / Time: 13-Nov-2000 / 13:33:52 Sheet size: A3 Drawn by: BKJ
	File: P:\WORK\RD 6SUB\Sch\2000008\MFB\Sch	
	Sheet 6 of 6	
	8	