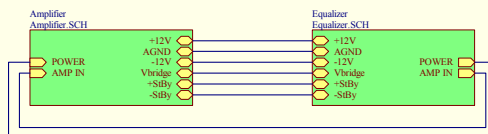
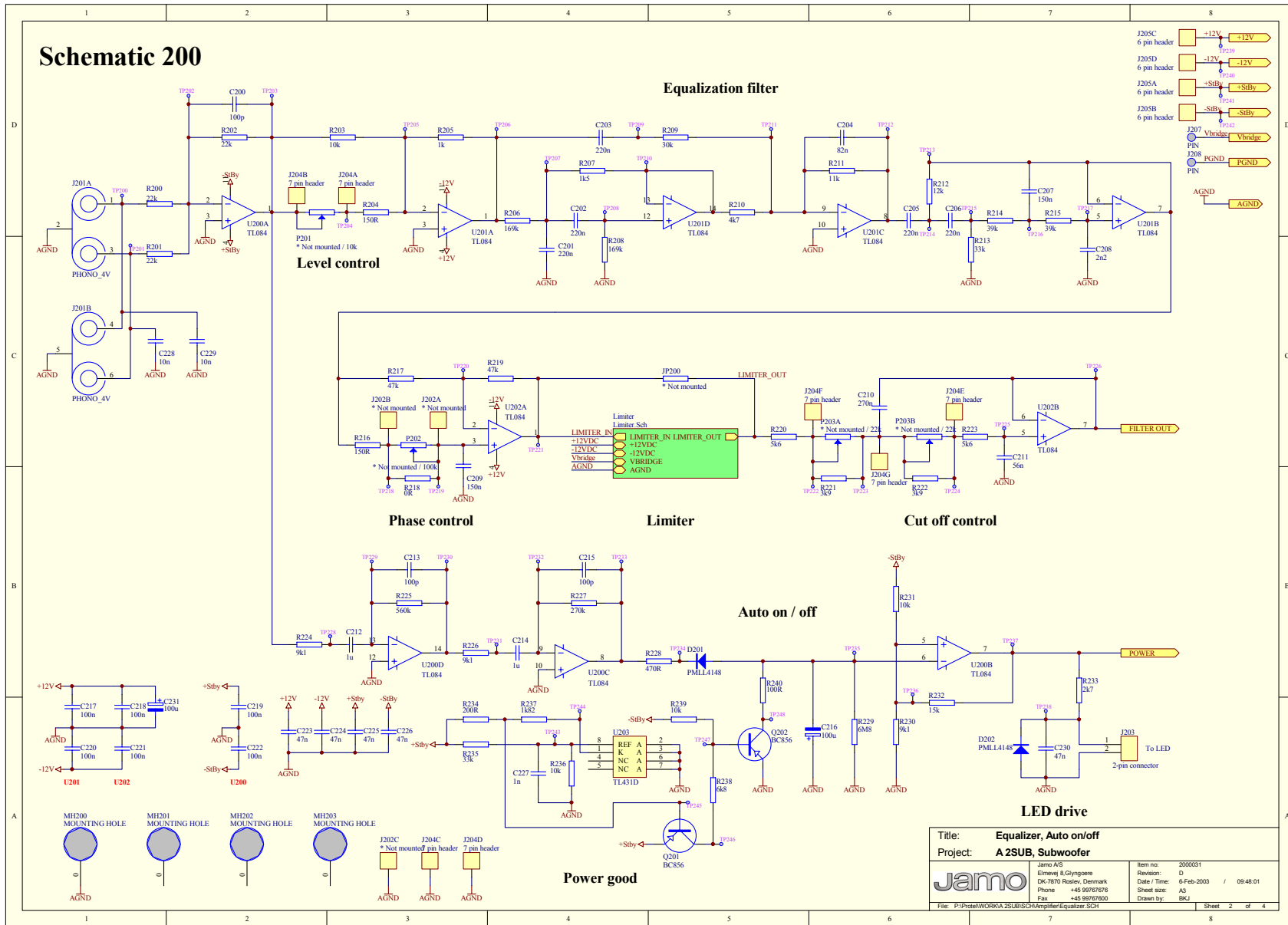


Schematic 100



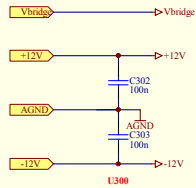
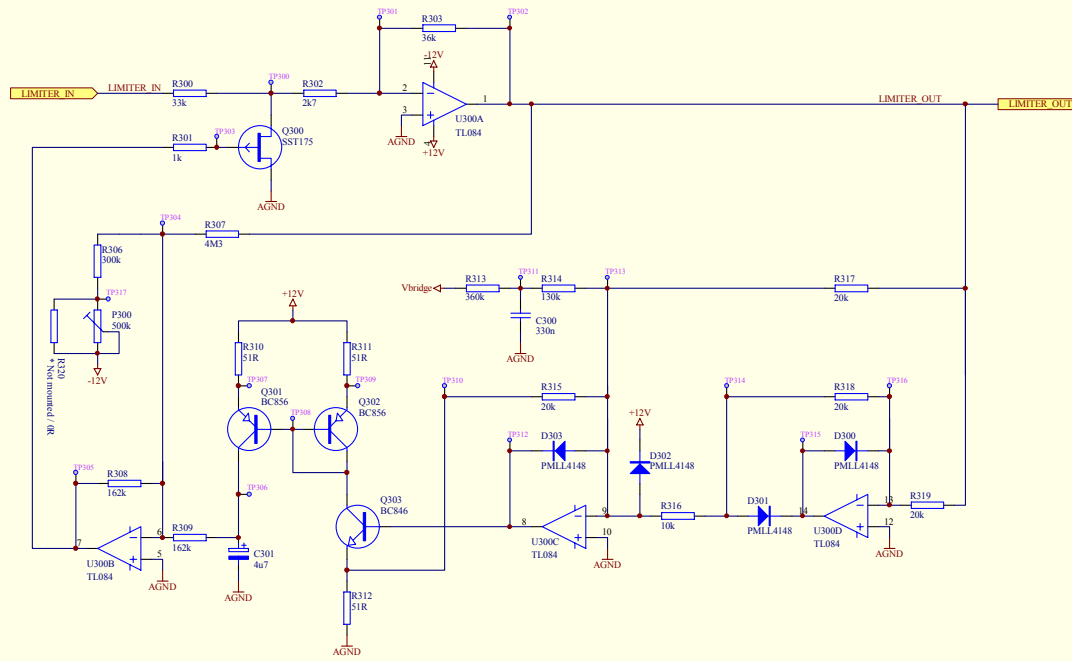
Title: Project Management Sheet		Item no: 2000031
Project: A 2SUB, Subwoofer		Revision: D
	Jamo A/S	Date / Time: 6-Feb-2003 / 09:48:56
	Elmevej 8, Glyngøere	Sheet size: A3
	DK-7870 Roslev, Denmark	Drawn by: BKJ
	Phone: +45 99767676	
	Fax: +45 99767600	
File: P:\Projek\WORK\A 2SUB\SCH\Amplifier\A 2SUB.pj		Sheet 1 of 4

Schematic 200



Title: Equalizer, Auto on/off		Item no: 2000031
Project: A2SUB, Subwoofer		Revision: D
Jamo AS Elimevej 8, Glyngørene DK-7870 Roslev, Denmark Phone: +45 99767018 Fax: +45 99767000		Date / Time: 6-Feb-2003 / 09:48:01
File: P:\Protel\WORK\A2SUB\SCH\Amp\Amp\Equalizer.SCH		Sheet size: A3
		Drawn by: BKJ
		Sheet 2 of 4

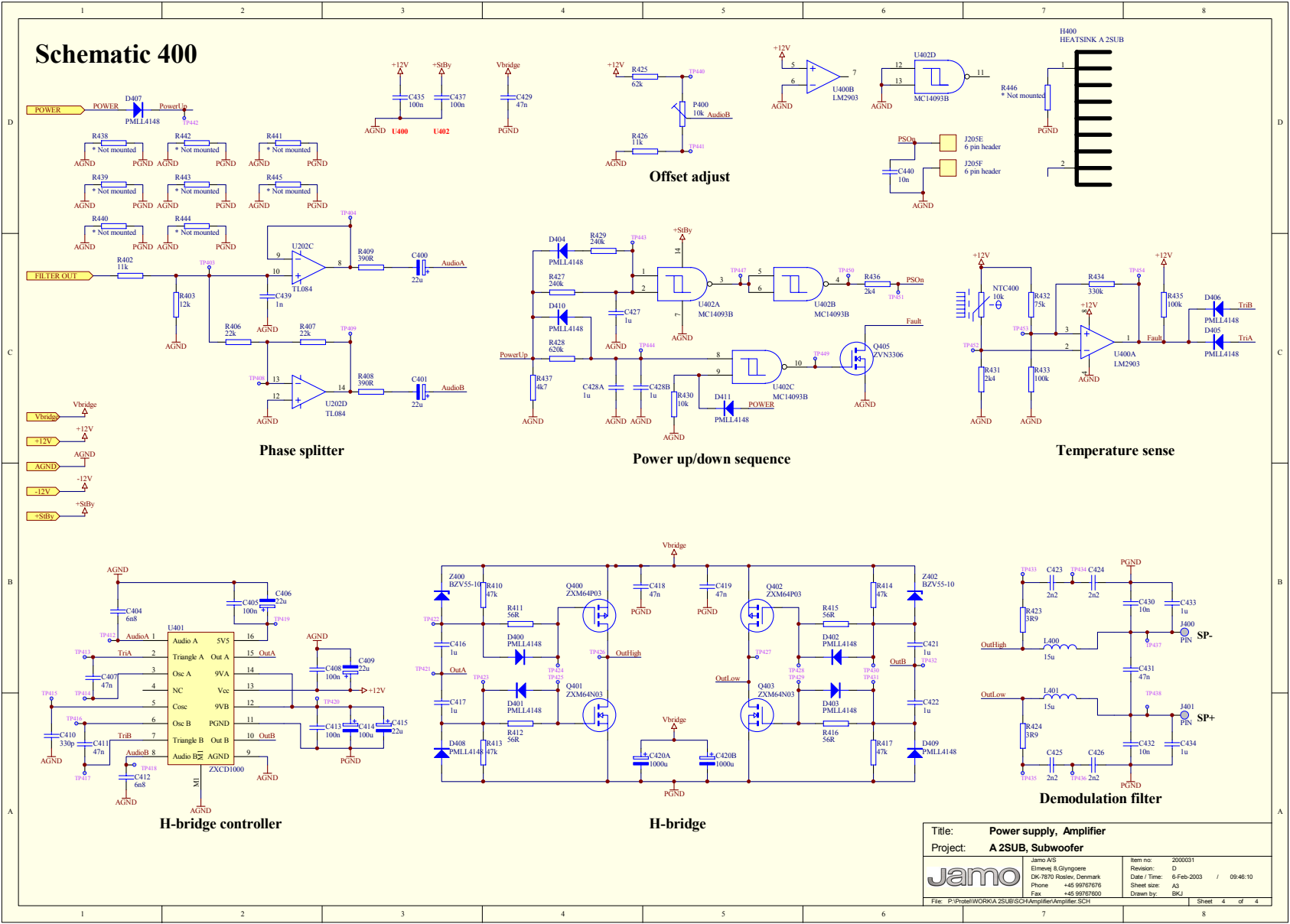
Schematic 300



Title: **Limiter**
 Project: **A2SUB, subwoofer**

Jamo	Jamo A/S	Item no:	2000031
	Elmevej 8, Glyngøerne	Revision:	D
	DK-7870 Roslev, Denmark	Date / Time:	6-Feb-2003 / 09:47:09
	Phone: +45 99767018	Sheet size:	A3
	Fax: +45 99767000	Drawn by:	BKJ

Schematic 400



H-bridge controller

H-bridge

Offset adjust

Power up/down sequence

Phase splitter

Temperature sense

Demodulation filter

Title: Power supply, Amplifier		
Project: A2SUB, Subwoofer		
	Jamo A/S Elmevej 8, Glyngøerne DK-7870 Roslev, Denmark Phone: +45 99767018 Fax: +45 99767600	Item no: 2000031 Revision: D Date / Time: 6-Feb-2003 / 09:46:10 Sheet size: A3 Drawn by: BKJ
	File: P:\Project\WORK\A2SUB\ISCH\Amplifier\Amplifier.SCH	
	Sheet 4 of 4	